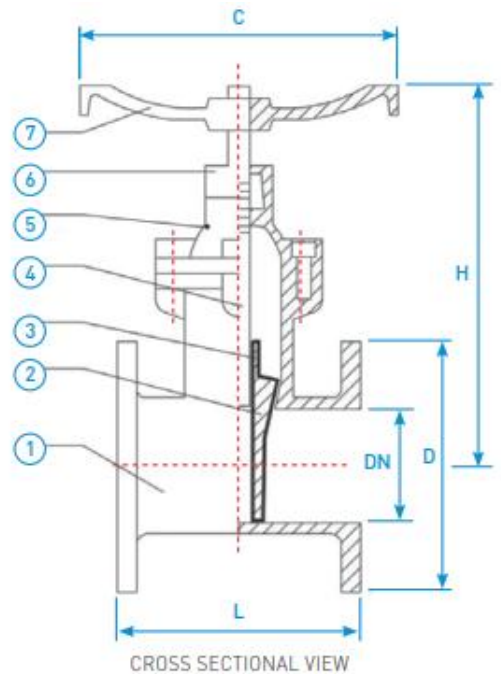
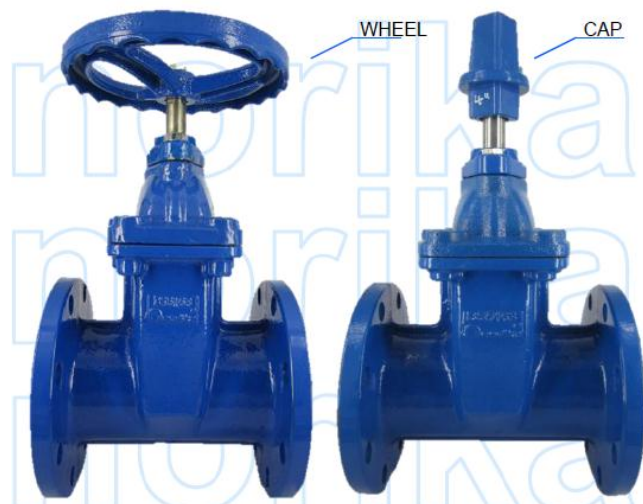


DUCTILE IRON SLUICE VALVE

COMPLY WITH BS5163-1&2 : 2004
 BSEN1074-1&2 : 2000
 AS/ZNS4020 : 2005
 SS375 : 2001
 BSEN545 : 2006
 SS270 : 1996

Fluid & Application:

Pure water, sea water and contaminated water.



STANDARD SPECIFICATIONS

Nominal Pressure	PN16
Sealing Test Pressure	1.76Mpa
Strength Test Pressure	2.4Mpa
Operating Temperature	- 20°~135°C

DIMENSIONS

STOCK CODE	SIZE (mm)	L (mm)	H (mm)	C (mm)	D (mm)	WEIGHT (kg)
SVDIN80	80	203	295	249	201	12.5
SVDIN100	100	229	325	279	221	21.5
SVDIN150	150	267	429	320	279	46.0
SVDIN200	200	292	533	351	351	73.0
SVDIN250	250	330	361	406	406	110.0
SVDIN300	300	356	691	450	457	164.0

COMPONENT PARTS

ITEM	PARTS	MATERIAL
1	Body	Ductile Iron
2	Disc	Ductile Iron with EPDM
3	Bonnet	Ductile Iron
4	Stem	Stainless Steel
5	O-ring	NBR
6	Gland	Ductile Iron
7	Hand Wheel	Ductile Iron