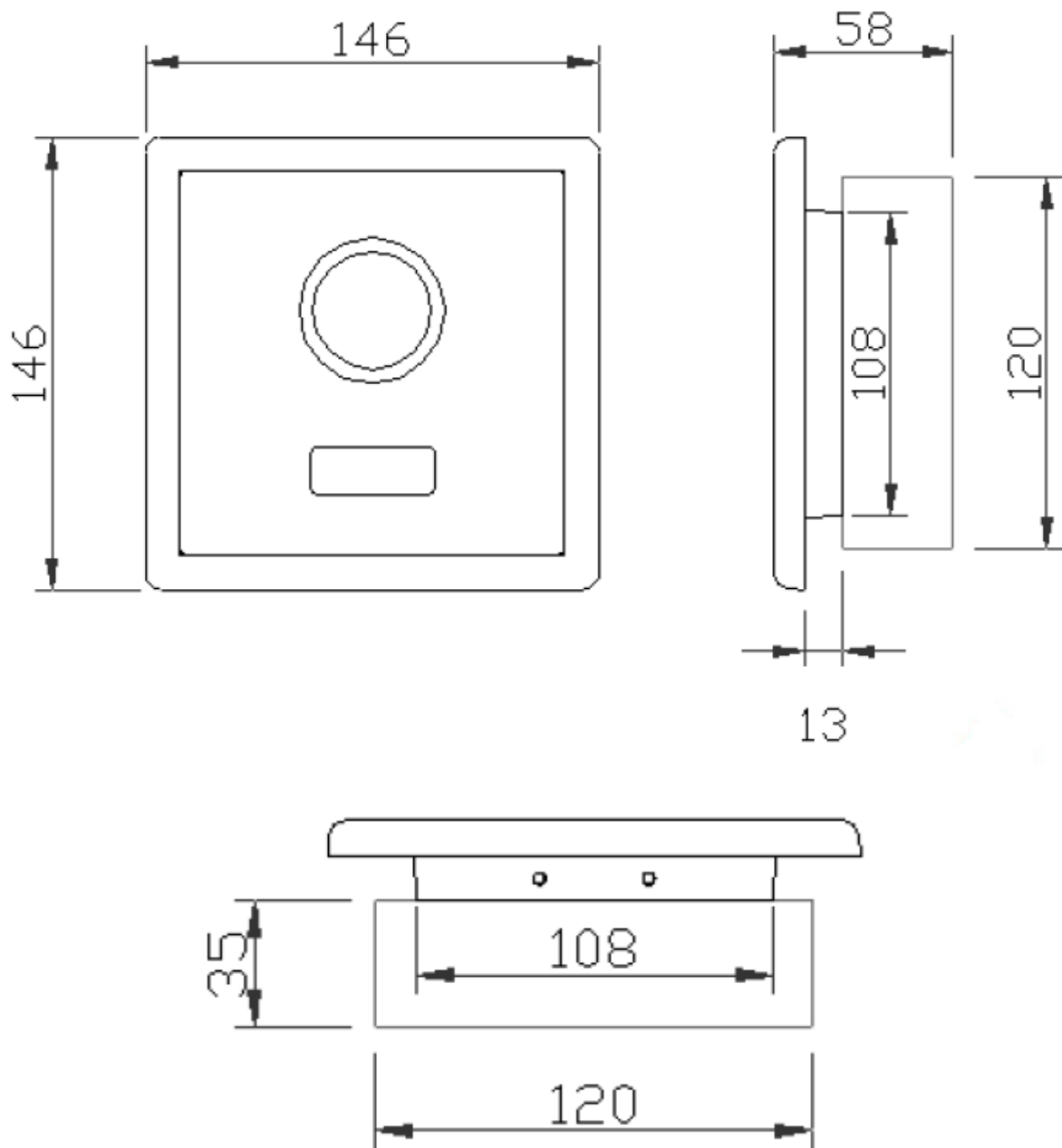


## Technical Specification IETO 201DA01-3T



**DISCLAIMER:**

While every effort has been made to ensure the accuracy of the products and information detailed in this catalogue.

**Grandeur Organisation** does not warrant the accuracy of the information and accepts no liability for technical inaccuracies or typographical errors.

**Grandeur Organisation** reserves the right to change the specifications of the product and function described herein at any time without prior notice.