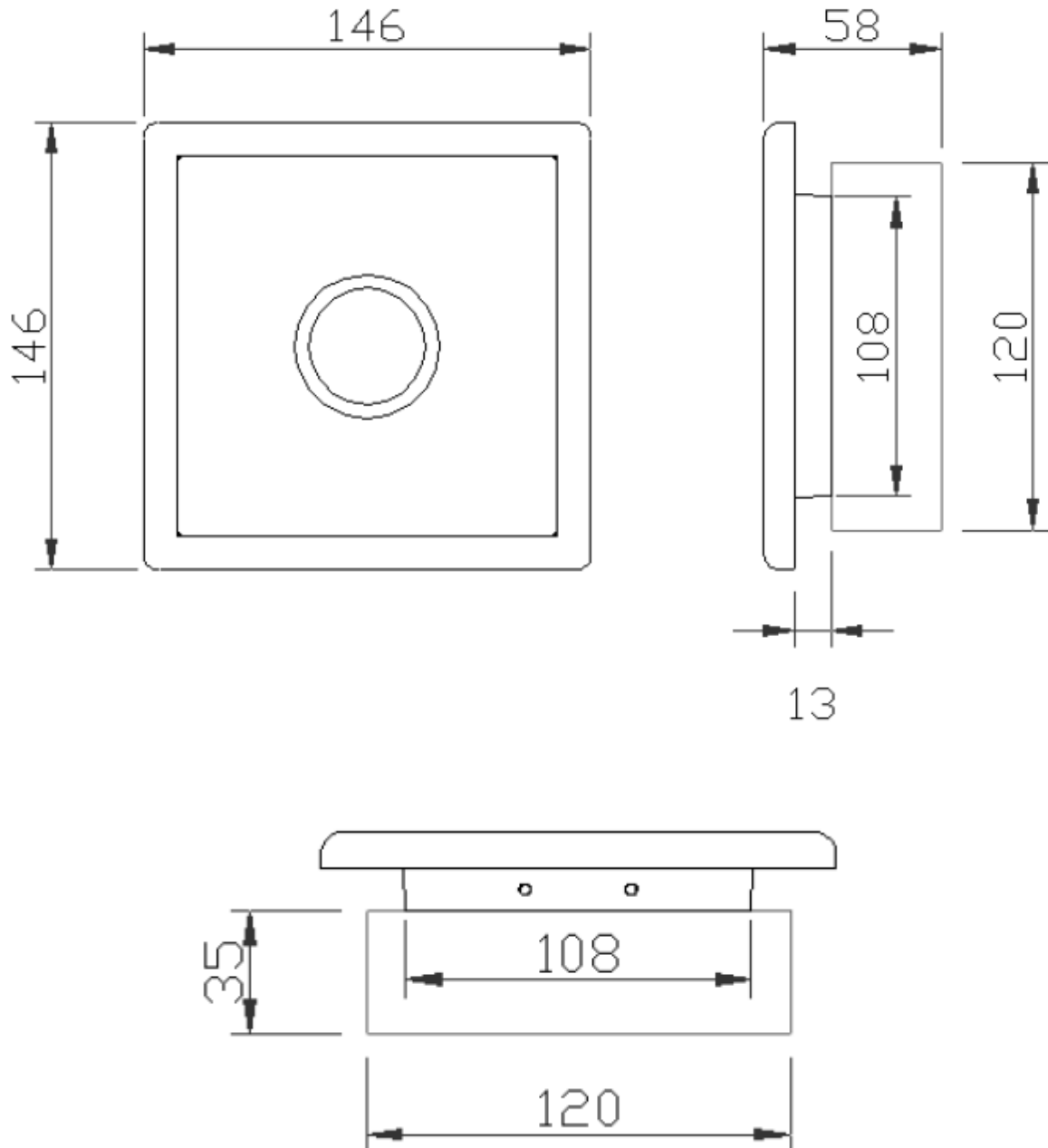


Technical Specification IETO 101DM01



DISCLAIMER:

While every effort has been made to ensure the accuracy of the products and information detailed in this catalogue.

Grandeur Organisation does not warrant the accuracy of the information and accepts no liability for technical inaccuracies or typographical errors.

Grandeur Organisation reserves the right to change the specifications of the product and function described herein at any time without prior notice.