

### Identifying Your Cylinder Profile



Oval



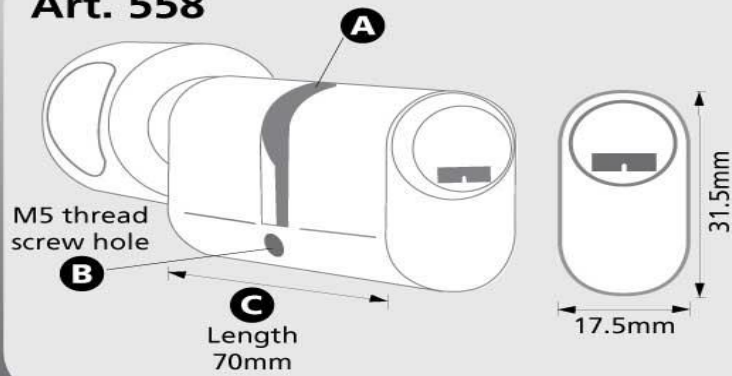
Euro

### OVAL PROFILE CYLINDER

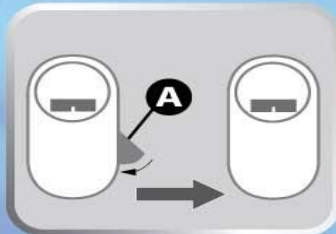


### OVAL PROFILE SINGLE CYLINDER DIMENSIONS

#### Art. 558



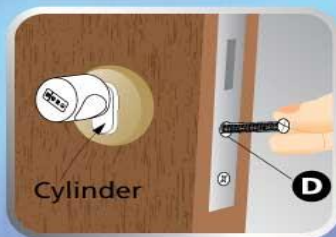
### INSTALLATION INSTRUCTIONS



1. Turn locking cam **A** with knob to align with the cylinder.



2. Insert the cylinder into the lock case till you are able to turn the locking cam.



3. Secure the cylinder with the screw through the lock case hole **D** onto hole **B**.