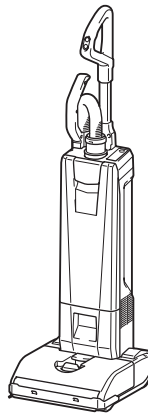
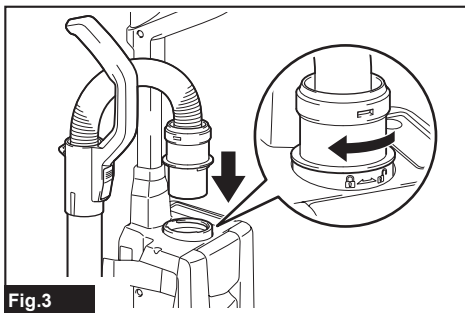
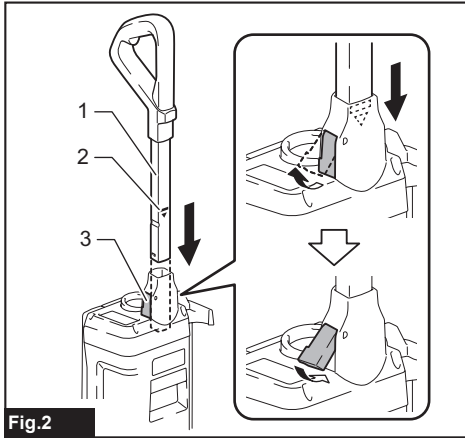
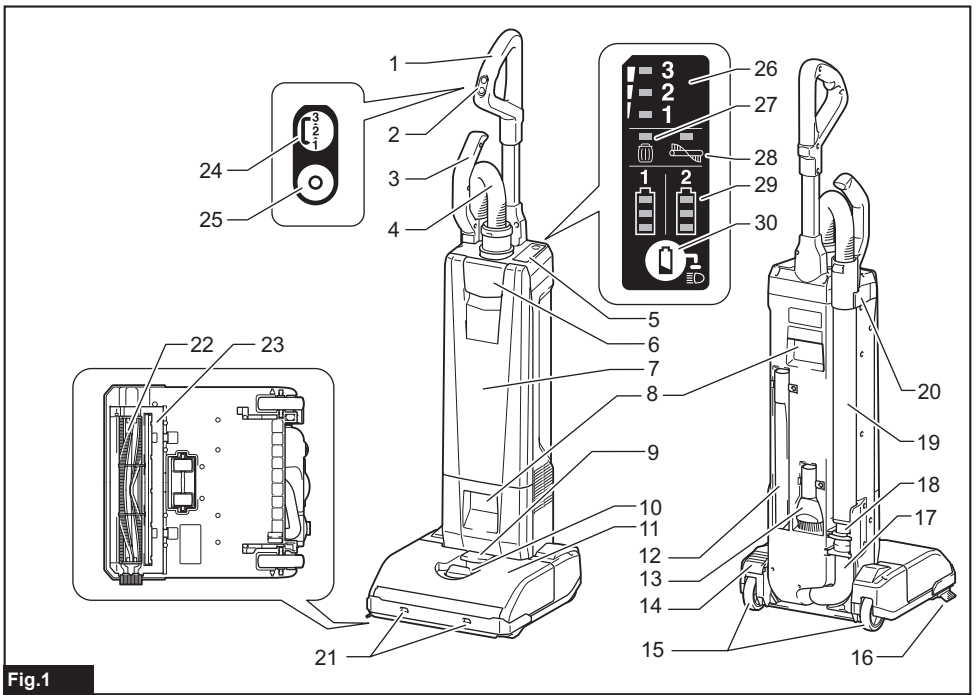




EN	Cordless Upright Cleaner	INSTRUCTION MANUAL	8
ZHCN	充电直立式吸尘器	使用说明书	18
ID	Pembersih Debu Model Berdiri Tanpa Kabel	PETUNJUK PENGGUNAAN	29
MS	Pembersih Vakum Tegak Tanpa Kord	MANUAL ARAHAN	41
VI	Máy Hút Bụi Thẳng Đứng Dùng Pin	TÀI LIỆU HƯỚNG DẪN	53
TH	เครื่องดูดฝุ่นตั้งตรงไร้สาย	คู่มือการใช้งาน	63

DVC560





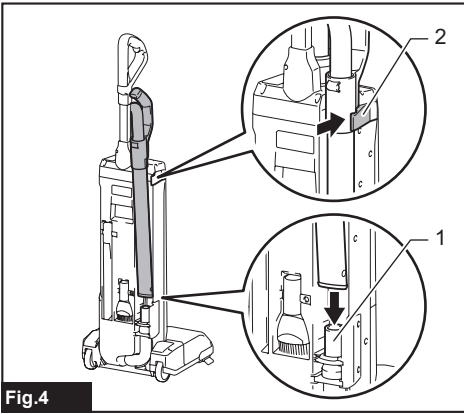


Fig.4

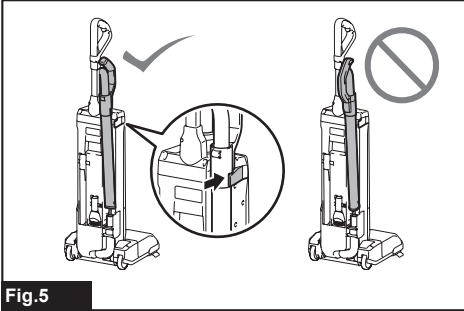


Fig.5

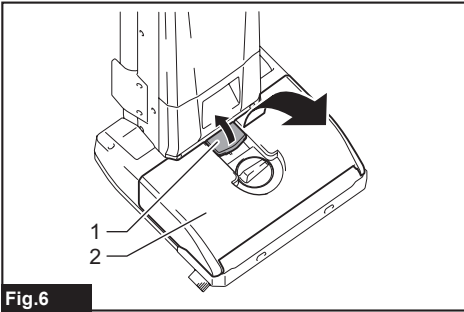


Fig.6

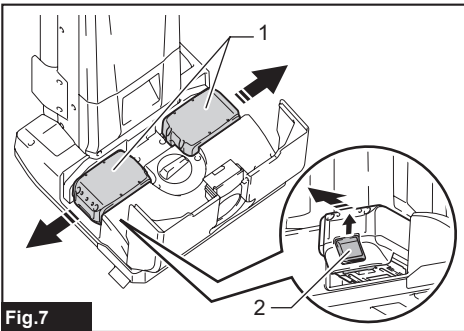


Fig.7

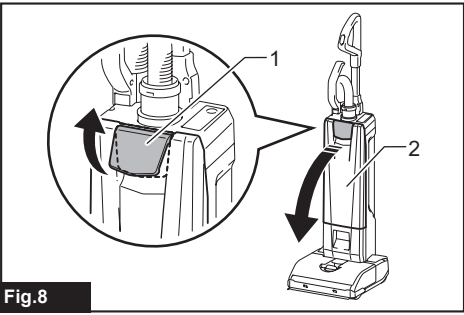


Fig.8

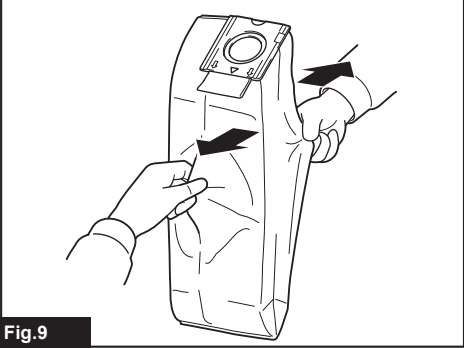


Fig.9

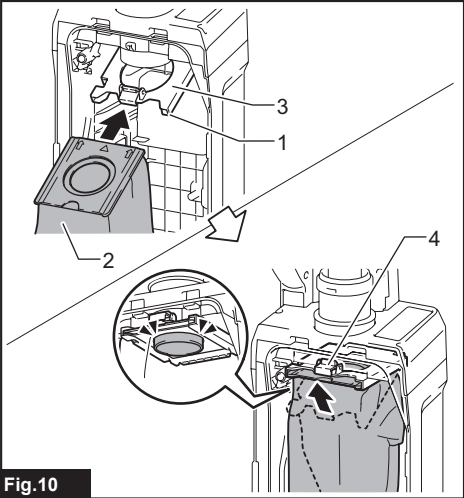


Fig.10

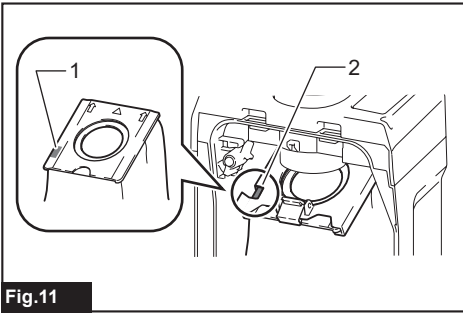


Fig.11

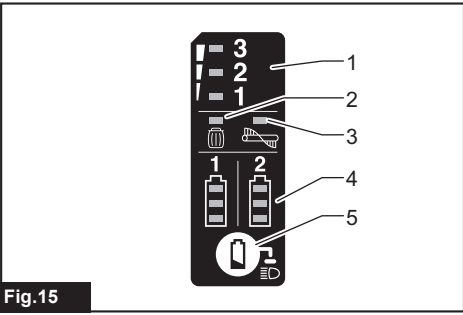


Fig.15

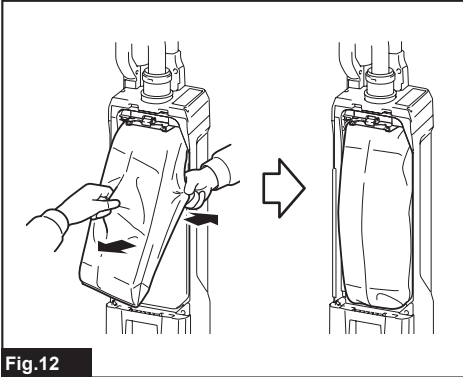


Fig.12

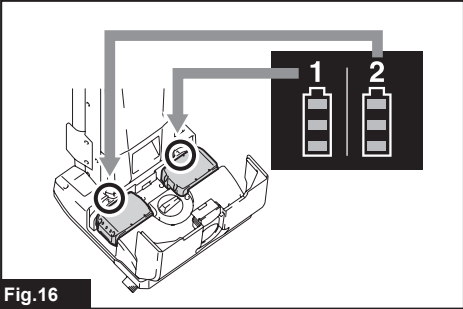


Fig.16

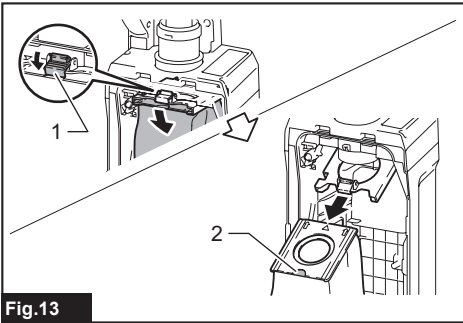


Fig.13

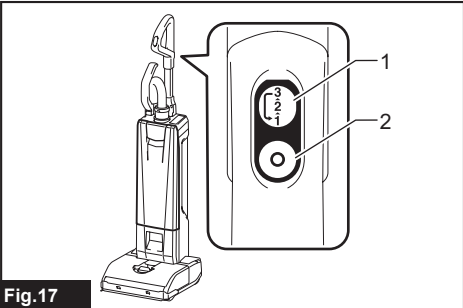


Fig.17

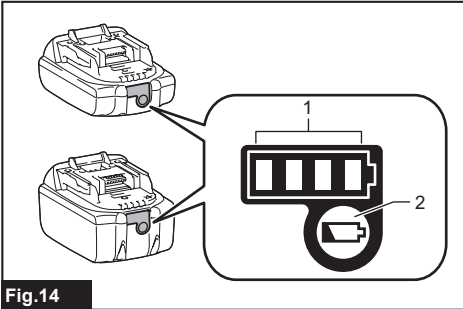


Fig.14

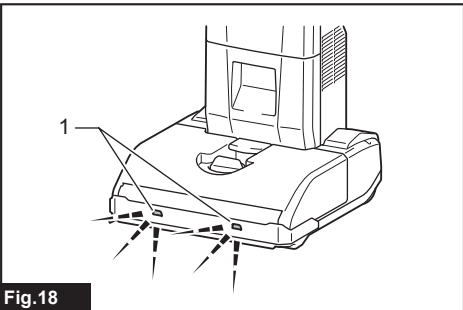


Fig.18

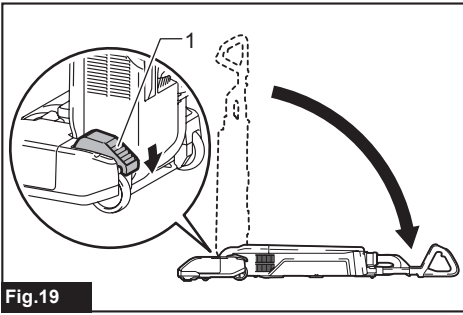


Fig.19

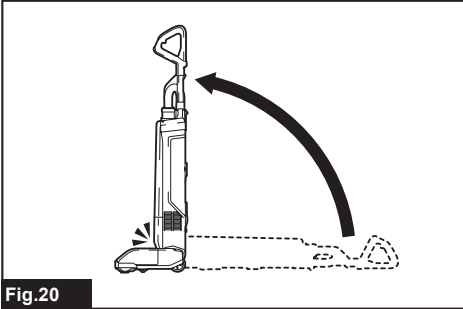


Fig.20

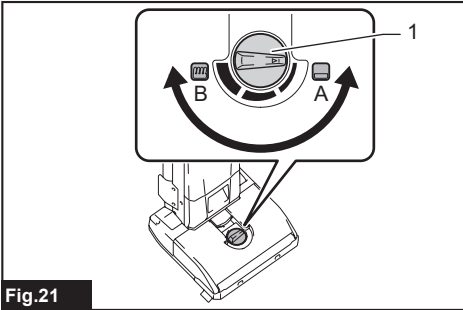


Fig.21

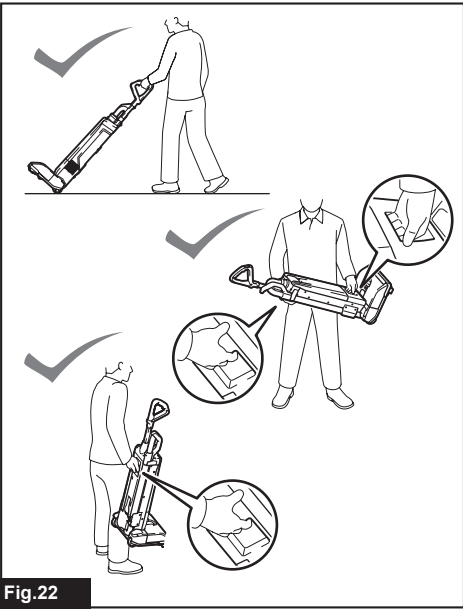


Fig.22

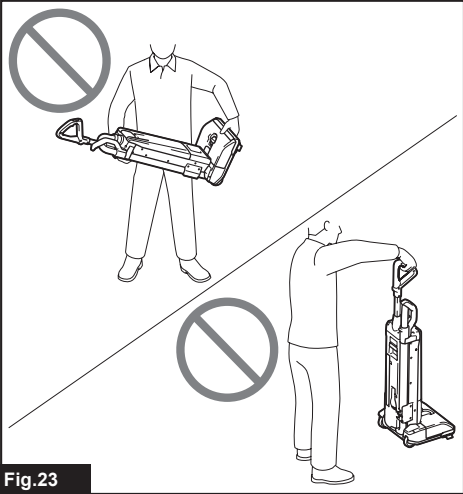


Fig.23

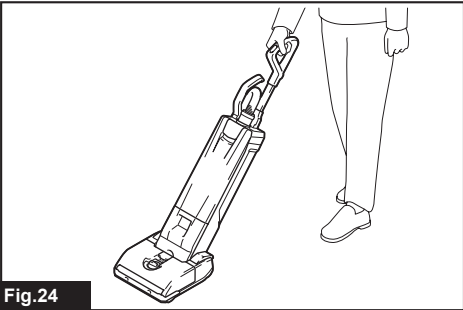


Fig.24

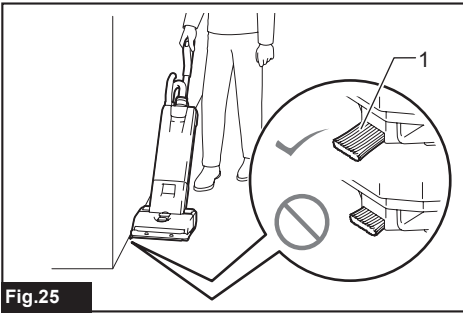


Fig. 25

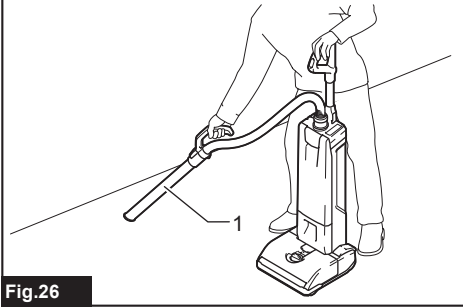


Fig. 26

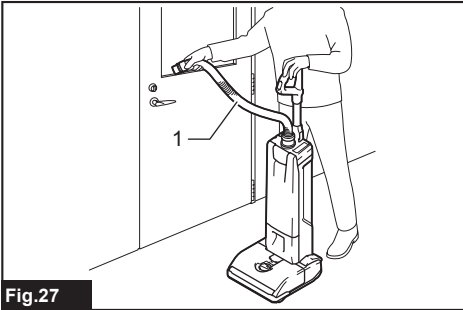


Fig. 27

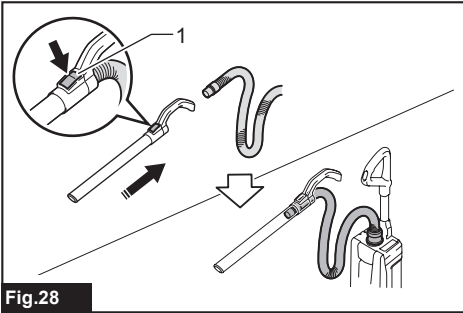


Fig. 28

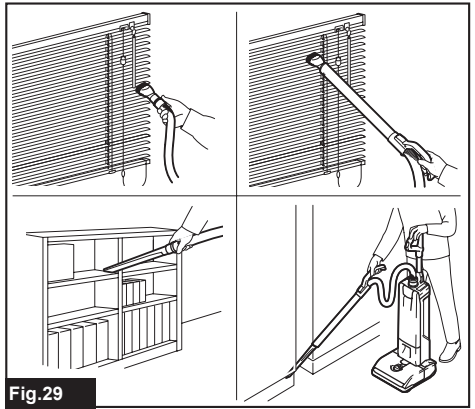


Fig. 29

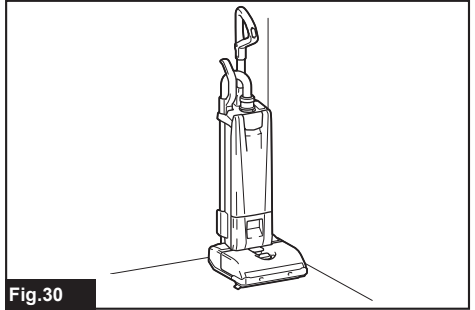


Fig. 30

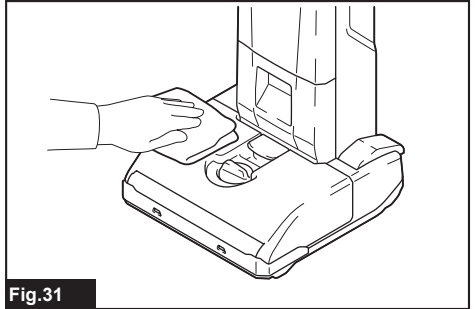


Fig. 31

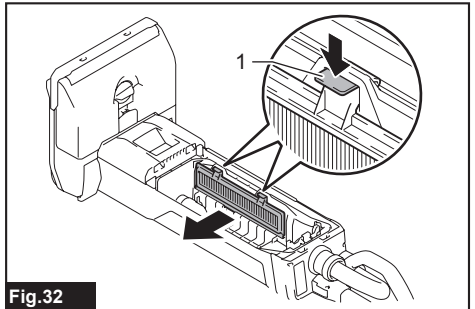
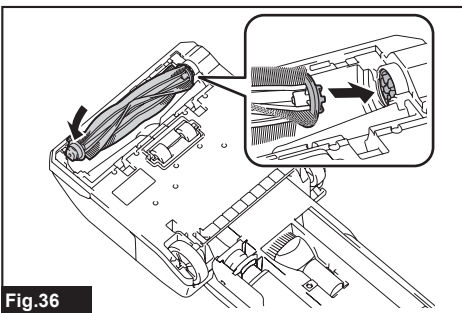
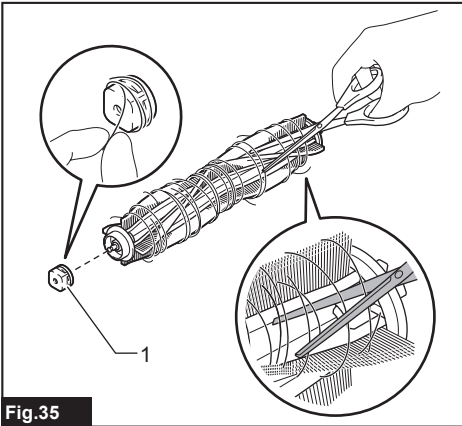
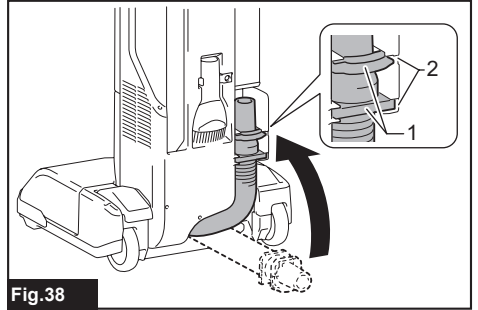
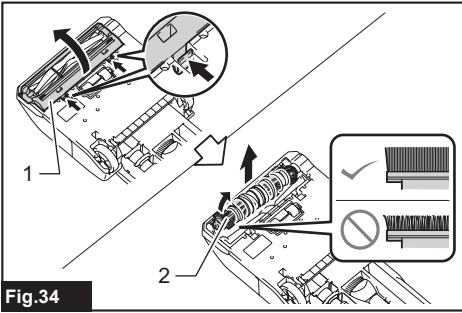
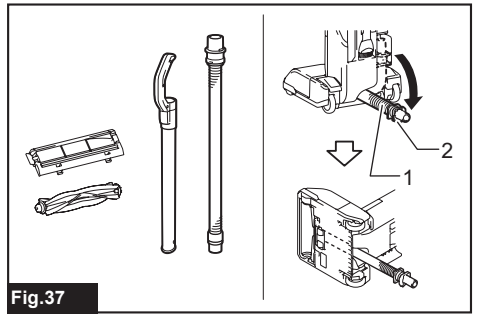
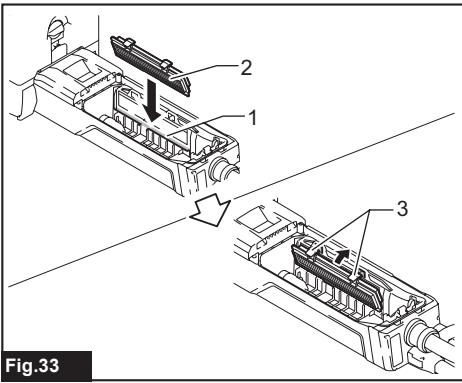


Fig. 32



WARNING

- This machine is not intended for use by persons including children with reduced physical, sensory or mental capabilities, or lack of experience and knowledge.
- Children should be supervised to ensure that they do not play with the cleaner.
- See the chapter "SPECIFICATIONS" for the type reference of the battery.
- See the section "Installing or removing battery cartridge" for how to remove or install the battery.
- When disposing the battery cartridge, remove it from the tool and dispose of it in a safe place. Follow your local regulations relating to disposal of battery.
- If the tool is not used for a long period of time, the battery must be removed from the tool.
- Do not short the battery cartridge.
- See the chapter "MAINTENANCE" for the appropriate details of precautions during user maintenance.

SPECIFICATIONS

Model:	DVC560
Maximum air volume *	1.9 m ³ /min
Vacuum *	12 kPa
Capacity	5 L
Dimensions (L x W x H)	326 mm x 318 mm x 1,146 mm
Rated voltage	D.C. 36 V
Net weight	8.3 - 9.0 kg

- * The value is measured by our original method.
- Due to our continuing program of research and development, the specifications herein are subject to change without notice.
- Specifications and battery cartridge may differ from country to country.
- The weight includes accessories (round brush, corner nozzle) and battery cartridge(s). The lightest and heaviest combination weight of the appliance and battery cartridge(s) are shown in the table.

Applicable battery cartridge and charger

Battery cartridge	BL1815N / BL1820B / BL1830B / BL1840B / BL1850B / BL1860B
Charger	DC18RC / DC18RD / DC18RE / DC18SD / DC18SE / DC18SF / DC18SH

- Some of the battery cartridges and chargers listed above may not be available depending on your region of residence.

⚠ WARNING: Only use the battery cartridges and chargers listed above. Use of any other battery cartridges and chargers may cause injury and/or fire.

Symbols

The followings show the symbols which may be used for the equipment. Be sure that you understand their meaning before use.



Read instruction manual.



Take particular care and attention.



Only for EU countries
Due to the presence of hazardous components in the equipment, waste electrical and electronic equipment, accumulators and batteries may have a negative impact on the environment and human health. Do not dispose of electrical and electronic appliances or batteries with household waste!
In accordance with the European Directive on waste electrical and electronic equipment and on accumulators and batteries and waste accumulators and batteries, as well as their adaptation to national law, waste electrical equipment, batteries and accumulators should be stored separately and delivered to a separate collection point for municipal waste, operating in accordance with the regulations on environmental protection.
This is indicated by the symbol of the crossed-out wheeled bin placed on the equipment.

Intended use

The appliance is intended for collecting dry dust. The appliance is suitable for commercial use, for example in hotels, schools, hospitals, factories, shops, offices and rental businesses.

SAFETY WARNINGS

Cordless vacuum cleaner safety warnings

⚠ WARNING: IMPORTANT! READ CAREFULLY all safety warnings and all instructions BEFORE USE. Failure to follow the warnings and instructions may result in electric shock, fire and/or serious injury.

1. **Before use, make sure that this cleaner must be used by people who have been adequately instructed on the use of this cleaner.**
2. **Do not use without filter bag and/or filters in place. Replace a damaged filter immediately.**
3. **AVOID UNINTENTIONAL STARTING.** Be sure switch is OFF when installing battery(ies).
4. **Do not attempt to pick up flammable materials, fire works, lighted cigarettes, hot ashes, hot metal chips, sharp materials such as razors, needles, broken glass or the like.**
5. **NEVER USE THE CLEANER IN THE VICINITY OF GASOLINE, GAS, PAINT, ADHESIVES OR OTHER HIGHLY EXPLOSIVE SUBSTANCES.** The switch emits sparks when turned ON and OFF. And so does the motor commutator during operation. A dangerous explosion may result.
6. **This cleaner is not suitable for picking up hazardous dust.**
7. **Never vacuum up toxic, carcinogenic, combustible or other hazardous materials such as asbestos, arsenic, barium, beryllium, lead, pesticides, or other health endangering materials.**
8. **Do not use outdoors or on wet surfaces.**
9. **For Finland, this machine is not to be used outdoors at low temperature.**
10. **Do not use the appliance close to heat sources (stoves, etc.).**
11. **Do not block suction inlet/outlet/cooling vents.** These vents permit cooling of the motor. Blockage should be carefully avoided otherwise the motor will burn out due to a lack of ventilation.
12. **Do not fold, tug or step on the hose.**
13. **Stop the cleaner immediately if you notice poor performance or anything abnormal during operation.**
14. **REMOVE THE BATTERY(IES).** When not in use, before servicing, and when changing accessories.
15. **Clean and service the cleaner immediately after each use to keep it in optimum operating condition.**
16. **MAINTAIN THE CLEANER WITH CARE.** Keep the cleaner clean for better and safer performance. Follow instructions for changing accessories. Keep handles dry, clean, and free from oil and grease.
17. **CHECK DAMAGED PARTS.** Before further use of the cleaner, a guard or other part that is damaged should be carefully checked to determine that it will operate properly and perform its intended function. Check for alignment of moving parts, binding of moving parts, breakage of parts, mounting, and any other conditions that may affect its operation. A guard or other part that is damaged should be properly repaired or replaced by an authorized service center unless otherwise indicated elsewhere in this instruction manual. Have defective switches replaced by authorized service center. Don't use the cleaner if switch does not turn it on and off.
18. **REPLACEMENT PARTS.** When servicing, use only identical replacement parts.
19. **When not in use, always store the cleaner indoors.**
20. **Be kind to your cleaner.** Rough handling can cause breakage of even the most sturdily built cleaner.
21. **Do not attempt to clean the exterior or interior with benzine, thinner or cleaning chemicals.** Cracks and discoloration may be caused.

22. Do not use cleaner in an enclosed space where flammable, explosive or toxic vapors are given off by oil-base paint, paint-thinner, gasoline, some mothproofing substances, etc., or in areas where flammable dust is present.
23. Do not operate the cleaner or any tool while under the influence of drugs or alcohol.
24. Wear appropriate protective equipment such as a mask depending on the usage environment.
25. This machine is not intended for use by persons including children with reduced physical, sensory or mental capabilities, or lack of experience and knowledge.
26. Children should be supervised to ensure that they do not play with the cleaner.
27. Never handle battery(ies) and cleaner with wet hands.
28. Use extreme caution when cleaning on stairs.
29. Keep proper footing and balance at all times.
30. Do not use the cleaner as a stool or work bench. The machine may fall down and may result in personal injury.
31. Keep all parts of your body and clothing away from the openings and moving part like the rotating brushroll. Otherwise they may be caught in the appliance and cause injury.

Battery tool use and care

1. **Recharge only with the charger specified by the manufacturer.** A charger that is suitable for one type of battery pack may create a risk of fire when used with another battery pack.
2. **Use power tools only with specifically designated battery packs.** Use of any other battery packs may create a risk of injury and fire.
3. **When battery pack is not in use, keep it away from other metal objects, like paper clips, coins, keys, nails, screws or other small metal objects, that can make a connection from one terminal to another.** Shorting the battery terminals together may cause burns or a fire.
4. **Under abusive conditions, liquid may be ejected from the battery; avoid contact. If contact accidentally occurs, flush with water. If liquid contacts eyes, additionally seek medical help.** Liquid ejected from the battery may cause irritation or burns.
5. **Do not use a battery pack or tool that is damaged or modified.** Damaged or modified batteries may exhibit unpredictable behaviour resulting in fire, explosion or risk of injury.
6. **Do not expose a battery pack or tool to fire or excessive temperature.** Exposure to fire or temperature above 130 °C may cause explosion.
7. **Follow all charging instructions and do not charge the battery pack or tool outside the temperature range specified in the instructions.** Charging improperly or at temperatures outside the specified range may damage the battery and increase the risk of fire.

SAVE THESE INSTRUCTIONS.

⚠WARNING: DO NOT let comfort or familiarity with product (gained from repeated use) replace strict adherence to safety rules for the subject product. **MISUSE** or failure to follow the safety rules stated in this instruction manual may cause serious personal injury.

Important safety instructions for battery cartridge

1. **Before using battery cartridge, read all instructions and cautionary markings on (1) battery charger, (2) battery, and (3) product using battery.**
2. **Do not disassemble or tamper with the battery cartridge.** It may result in a fire, excessive heat, or explosion.
3. **If operating time has become excessively shorter, stop operating immediately.** It may result in a risk of overheating, possible burns and even an explosion.
4. **If electrolyte gets into your eyes, rinse them out with clear water and seek medical attention right away.** It may result in loss of your eyesight.
5. **Do not short the battery cartridge:**
 - (1) **Do not touch the terminals with any conductive material.**
 - (2) **Avoid storing battery cartridge in a container with other metal objects such as nails, coins, etc.**
 - (3) **Do not expose battery cartridge to water or rain.**

A battery short can cause a large current flow, overheating, possible burns and even a breakdown.
6. **Do not store and use the tool and battery cartridge in locations where the temperature may reach or exceed 50 °C (122 °F).**
7. **Do not incinerate the battery cartridge even if it is severely damaged or is completely worn out. The battery cartridge can explode in a fire.**
8. **Do not nail, cut, crush, throw, drop the battery cartridge, or hit against a hard object to the battery cartridge.** Such conduct may result in a fire, excessive heat, or explosion.
9. **Do not use a damaged battery.**
10. **The contained lithium-ion batteries are subject to the Dangerous Goods Legislation requirements.**

For commercial transports e.g. by third parties, forwarding agents, special requirement on packaging and labeling must be observed.

For preparation of the item being shipped, consulting an expert for hazardous material is required. Please also observe possibly more detailed national regulations.

Tape or mask off open contacts and pack up the battery in such a manner that it cannot move around in the packaging.
11. **When disposing the battery cartridge, remove it from the tool and dispose of it in a safe place. Follow your local regulations relating to disposal of battery.**

12. **Use the batteries only with the products specified by Makita.** Installing the batteries to non-compliant products may result in a fire, excessive heat, explosion, or leak of electrolyte.
13. **If the tool is not used for a long period of time, the battery must be removed from the tool.**
14. **During and after use, the battery cartridge may take on heat which can cause burns or low temperature burns. Pay attention to the handling of hot battery cartridges.**
15. **Do not touch the terminal of the tool immediately after use as it may get hot enough to cause burns.**
16. **Do not allow chips, dust, or soil stuck into the terminals, holes, and grooves of the battery cartridge.** It may result in poor performance or breakdown of the tool or battery cartridge.
17. **Unless the tool supports the use near high-voltage electrical power lines, do not use the battery cartridge near high-voltage electrical power lines.** It may result in a malfunction or breakdown of the tool or battery cartridge.
18. **Keep the battery away from children.**

SAVE THESE INSTRUCTIONS.

⚠CAUTION: Only use genuine Makita batteries. Use of non-genuine Makita batteries, or batteries that have been altered, may result in the battery bursting causing fires, personal injury and damage. It will also void the Makita warranty for the Makita tool and charger.

Tips for maintaining maximum battery life

1. **Charge the battery cartridge before completely discharged. Always stop tool operation and charge the battery cartridge when you notice less tool power.**
2. **Never recharge a fully charged battery cartridge. Overcharging shortens the battery service life.**
3. **Charge the battery cartridge with room temperature at 10 °C - 40 °C (50 °F - 104 °F). Let a hot battery cartridge cool down before charging it.**
4. **When not using the battery cartridge, remove it from the tool or the charger.**
5. **Charge the battery cartridge if you do not use it for a long period (more than six months).**

PARTS DESCRIPTION

► Fig.1

1	Handle	2	Switch plate	3	Pipe grip	4	Hose
5	Indication panel	6	Lever (for the dust box cover)	7	Dust box cover	8	Carrying handle
9	Lock (for battery cover)	10	Adjusting lever	11	Battery cover	12	Corner nozzle
13	Round brush	14	Foot lever	15	Caster wheel	16	Side brush
17	Suction hose	18	Joint	19	Aluminum pipe	20	Pipe holder
21	LED lamp	22	Brushroll	23	Bottom plate	24	ON / mode change button
25	OFF button	26	Indicator of operating mode	27	Indicator of excess level of dust	28	Indicator of brushroll error
29	Indicator for remaining battery capacity	30	Battery check / LED lamp button	-	-	-	-

ASSEMBLY

⚠CAUTION: Always be sure that the appliance is switched off and the battery cartridge is removed before carrying out any work on the appliance.

⚠CAUTION: Always wear dust mask during assembly or maintenance.

Handle connecting

1. Insert the handle pole fully to the cleaner body as shown in the figure.
2. Close the lock latch.

► Fig.2: 1. Handle pole 2. Red marking 3. Lock latch

NOTICE: Insert the handle fully until the red marking cannot be seen.

Hose connecting

Insert the hose into the mounting port of the appliance and turn the horse until it locks.

► Fig.3

Pipe connecting

Insert the tip of the aluminum pipe to the joint, and then attach the aluminum pipe to the pipe holder.

► Fig.4: 1. Joint 2. Pipe holder

NOTICE: Insert the aluminum pipe in correct direction as shown in figure. Otherwise the pipe holder will not be locked and the aluminum pipe may come off.

► Fig.5

Installing or removing battery cartridge

CAUTION: Always switch off the appliance before installing or removing of the battery cartridge.

CAUTION: Hold the cleaner and the battery cartridge firmly when installing or removing battery cartridge. Failure to hold the cleaner and the battery cartridge firmly may cause them to slip off your hands and result in damage to the cleaner and battery cartridge and a personal injury.

CAUTION: Be careful not to pinch your fingers when opening or closing the battery cover. Failure to do so may cause personal injury.

To install the battery cartridge, release the lock first, and then open the battery cover. After that, insert the battery cartridge.

► Fig.6: 1. Lock 2. Battery cover

Align the tongue on the battery cartridge with the groove in the housing and slip it into place. Insert it all the way until it locks in place with a little click. Then lock the battery cover.

► Fig.7: 1. Battery cartridge 2. Button

To remove the battery cartridge, slide it from the appliance while sliding the button in front of the cartridge.

CAUTION: Always install the battery cartridge fully. If not, it may accidentally fall out of the appliance, causing injury to you or someone around you.

CAUTION: Do not install the battery cartridge forcibly. If the cartridge does not slide in easily, it is not being inserted correctly.

NOTE: The cleaner does not work with only one battery cartridge.

Installing the filter bag

CAUTION: Do not use a damaged filter bag. Always use the vacuum cleaner with the filter bag properly installed. Otherwise the vacuumed dust or particles may be exhausted from the cleaner and they may cause respiratory disease to the operator.

Install the filter bag before using cleaner. Filter bag is a throw-away type. Throw away the entire filter bag without emptying when it has become full.

NOTICE: When the filter bag is already full or clogged, replace with new one. Continuous use with the filter bag full or clogged results in reduced suction power.

NOTICE: To prevent dust from getting into the motor:

- Make sure that the filter bag is installed before use.
- Do not use a broken or ripped bag.

Otherwise the motor may be broken.

NOTICE: Do not fold the cardboard at its opening when installing the filter bag.

NOTICE: The filter bag for the cleaner is an important component for maintaining the appliance performance. Using non-genuine filter bag may cause smoke or ignition.

NOTE: When the filter bag is not installed in the appliance, the dust box cover does not close completely.

1. Unlock the lever and open the dust box cover.
► Fig.8: 1. Lever 2. Dust box cover
2. Unfold the filter bag fully.
► Fig.9
3. Insert the filter bag into the slot on the holder so that the side with mark \triangle enters first.
4. Hook the latch of the holder.
► Fig.10: 1. Slot 2. Filter bag 3. Holder 4. Latch
5. Make sure that only the marking on the cardboard can be seen through the slit of the holder.
► Fig.11: 1. Marking 2. Slit
6. Unfold the filter bag if it is folded.
► Fig.12
7. Lock the dust box cover certainly.

CAUTION: Be careful not to pinch your fingers when hooking the latch, and when closing the dust box cover.

Removing the filter bag

CAUTION: Handle the filter bag softly. Otherwise foreign objects are blown into eyes, it may result in personal injury.

Replace the filter bag when it becomes full or clogged. Open the dust box cover and open the latch, then take out the filter bag. Pull the strip on the side of the opening to shut the filter bag and dispose of the filter bag in whole.
► Fig.13: 1. Latch 2. Strip

NOTICE: Do not use a used filter bag. The filter bag is designed for single use. Using filter bag repeatedly may cause clogging of the filter and results in damage to the appliance.

FUNCTIONAL DESCRIPTION

CAUTION: Always be sure that the appliance is switched off and the battery cartridge is removed before adjusting or checking function on the appliance.

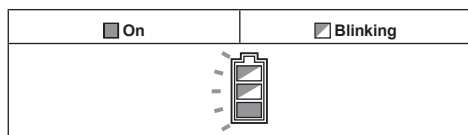
Tool / battery protection system

The tool is equipped with a tool/battery protection system. This system automatically cuts off power to the motor to extend tool and battery life. The tool will automatically stop during operation if the tool or battery is placed under one of the following conditions:

Overload protection

When the tool is operated in a manner that causes it to draw an abnormally high current, the tool automatically stops without any indication. In this situation, turn the tool off and stop the application that caused the tool to become overloaded. Then turn the tool on to restart.

Overheat protection



When the tool is overheated, the tool stops automatically, and the battery indicator blinks about 60 seconds. In this situation, let the tool cool down before turning the tool on again.

Overdischarge protection

When the battery capacity becomes low, the tool stops automatically. If the product does not operate even when the switches are operated, remove the batteries from the tool and charge the batteries.

Indicating the remaining battery capacity

Only for battery cartridges with the indicator

► **Fig.14:** 1. Indicator lamps 2. Check button

Press the check button on the battery cartridge to indicate the remaining battery capacity. The indicator lamps light up for a few seconds.

Indicator lamps			Remaining capacity
Lighted	Off	Blinking	
			75% to 100%
			50% to 75%
			25% to 50%
			0% to 25%
			Charge the battery.
			The battery may have malfunctioned.

NOTE: Depending on the conditions of use and the ambient temperature, the indication may differ slightly from the actual capacity.

NOTE: The first (far left) indicator lamp will blink when the battery protection system works.

Indication panel

► **Fig.15:** 1. Operating mode 2. Excess level of dust 3. Brushroll error 4. Remaining battery capacity 5. Battery check / LED lamp button

Operating mode

To change the operating mode, refer to the section for switch action.

Excess level of dust

If this indicator lights up, replace the filter bag. (Refer the section of removing the filter bag.)

NOTE: This indicator does not work when the appliance operates in "lower noise level (1)" mode.

NOTE: This indicator may not work depending on the usage environment.

NOTE: The indicator automatically goes out approximately one minute after the appliance is switched off. If you clear the clogging of the filter bag and restart the appliance, the indicator goes out even within one minute.

Brushroll error








Blinking	The brushroll is under high load for some reasons.
On	The brushroll is stopped by abnormal reason.

WARNING: Immediately switch off the appliance when this lamp lights up during operation. Otherwise the motor malfunction may occur and cause fire.

Remaining battery capacity

During operation, press the battery check / LED lamp button to indicate the remaining battery capacities. The battery indicators correspond to each battery.

► Fig.16

Battery indicator status			Remaining battery capacity
On	Off	Blinking	
			 50% to 100%
			
			
			
			Charge the battery

Battery check / LED lamp button

During operation, the following operations can be performed.

- Simply press the button to check the remaining battery capacity.
- Press and hold the button to turn on / off the LED lamp.

Switch action

► Fig.17: 1. ON / mode change button 2. OFF button

Turning on / off the appliance

To start the appliance, simply push the ON / mode change button. To switch off, push the OFF button.

CAUTION: Always put the head of the appliance on the floor when turning on the appliance. Otherwise an accident due to entanglement may occur and cause a personal injury.

Changing operating mode

You can change the operating mode in three steps: "lower noise level (1)", "normal (2)", and "high (3)". If you want to change operating mode, press the ON / mode change button when the appliance is running. The operating mode switches in order "lower noise level (1)", "normal (2)", and "high (3)". The appliance will start in the same mode as the previous setting.

Lighting up the LED lamp

CAUTION: Do not look in the light or see the source of light directly.

The appliance is equipped with the LED lamps. See the paragraph of the battery check / LED lamp button for operation.

► Fig.18: 1. LED lamp

Foot lever

CAUTION: Always lock the appliance in upright position when you let go of the handle. Otherwise the appliance may accidentally fall and cause injury.

CAUTION: Be careful not to pinch your fingers between the main body and the head of the appliance.

To unlock the upright position of the appliance, step on the foot lever and pull the handle backward.

The range of motion is 90 degrees from the upright position.

► Fig.19: 1. Foot lever

To lock the appliance in upright position, raise up the handle forward until the foot lever locks the position with click.

► Fig.20

NOTE: While the appliance is in the upright position, the brushroll stops rotating.

Adjusting the height of brushroll

CAUTION: Always make sure that the adjusting lever comes into the position properly before operation.

The height of brushroll can be adjusted in 4 steps.

Turn the adjusting lever to your desired height. When the adjusting lever points the A mark, the brushroll is located at the lowest point above the floor and is suitable for cleaning hard floors and short-haired carpets. When the adjusting lever points the B mark, the brushroll is located at the highest point above the floor and is suitable for cleaning long-haired carpets.

► Fig.21: 1. Adjusting lever

NOTE: The brushroll may not rotate if the height of brushroll is too low against the surface of the carpet.

Carrying handle

When carrying the appliance, push the appliance with the caster wheels only, or carry it by holding the carrying handle(s).

► Fig.22

⚠ CAUTION: When carrying the appliance, lock the appliance in upright position. Otherwise falling accident may occur.

⚠ CAUTION: Do not carry the appliance with anything other than the carrying handle. Otherwise falling accident may occur or unintentional starting may cause an injury.

► Fig.23

OPERATION

⚠ CAUTION: Do not pull out the handle pole from the appliance during operation. Doing so lose control of the appliance and may result serious injury.

⚠ CAUTION: Do not put your hand or leg under the appliance during operation. Otherwise pinching accident may occur.

Normal cleaning operation

1. Hold the handle, and then unlock the upright position.
2. Turn on the appliance. Clean a floor.

► Fig.24

Using the side brush

The side brush is convenient for cleaning the corner of a wall.

If the side brush gets short, take the appliance to the Makita service center for replacement

► Fig.25: 1. Side brush

Operation with accessories

⚠ CAUTION: Keep holding the handle when using accessories. Otherwise the appliance may accidentally fall and cause injury.

NOTICE: When using accessories, lock the appliance in upright position. Otherwise the rotation of the brushroll may damage the floor.

Using the aluminum pipe

The aluminum pipe is suitable for cleaning tight quarters, or high places.

► Fig.26: 1. Aluminum pipe

Using the hose

The hose is suitable for cleaning near your hands.

► Fig.27: 1. Hose

To use the hose, pull out the aluminum pipe from the hose while pushing the lever.

To install the hose, insert the hose into the aluminum pipe until it clicks.

► Fig.28: 1. Lever

Using the attachments

► Fig.29

To install the attachment, twist and insert it securely to the aluminum pipe or the hose. To disconnect, twist and remove it.

MAINTENANCE

⚠ CAUTION: Always be sure that the appliance is switched off and the battery cartridge is removed before attempting to perform inspection or maintenance.

NOTICE: Never use gasoline, benzine, thinner, alcohol or the like. Discoloration, deformation or cracks may result.

To maintain product SAFETY and RELIABILITY, repairs, any other maintenance or adjustment should be performed by Makita Authorized or Factory Service Centers, always using Makita replacement parts.

Storage

When storing, remove the battery cartridges and store the appliance on level place in upright position.

► Fig.30

Cleaning the appliance body

From time to time wipe off the outside (cleaner body) of the cleaner using a cloth dampened in soapy water.

► Fig.31

Cleaning the HEPA filter

⚠ CAUTION: Do not use the cleaner without a filter or continue to use dirty or damaged filter. Vacuumed dust or particles may be exhausted from the cleaner and they may cause respiratory disease to the operator.

NOTICE: To keep optimum suction power and clean exhaust, clean the filter periodically. If enough suction power is not obtained even after the cleaning, replace the filter with new one.

NOTICE: To prevent the filter from being damaged, do not use following tools and similar items for cleaning :

- Air duster
- High pressure washer
- Tools made of hard materials such as a metallic brush

1. Open the dust box cover and take out the filter bag.

Release the hooks on the filter and remove it from the appliance body.

► Fig.32: 1. Hook

2. Beat the dust off from the filter. The filter can be washed with water. Rinse away the dust and particles on the filter every 1 or 2 month. After that, dry the filter completely in a shaded and well-ventilated place to prevent unpleasant odor or malfunctions.

3. To install the filter, insert the side without the hooks into the groove then push in the filter until the hooks are secured with a click.

► **Fig.33:** 1. Groove 2. HEPA filter 3. Hook

Cleaning the brushroll

1. Remove the bottom plate, and then remove the brushroll.

If the hair of the brushroll gets short, ask the Makita service center for new one.

Operating the appliance with the short hair brushroll results in poor dust collecting.

► **Fig.34:** 1. Bottom plate 2. Brushroll

2. Remove threads and hairs from the brushroll using scissors.

Remove the cap and clean debris.

► **Fig.35:** 1. Cap

3. Install the cap, brushroll, and bottom plate in reverse order.

► **Fig.36**

CAUTION: Attach the bottom plate completely. If the appliance is operated without the bottom plate, the brushroll may come off and cause injury.

NOTICE: Always attach the brushroll. Operating the appliance without the brushroll results in poor dust collecting.

How to clear the clog

NOTICE: Do not operate the appliance with the intake flow path clogged. Continuous use with the intake flow path clogged results in reduced suction power.

1. Remove the bottom plate, and then remove the brushroll.

2. Remove the aluminum pipe from the appliance and from the hose.

3. Turn the hose counterclockwise, and then remove the hose from the appliance.

4. Remove the suction hose by pulling the tab.

► **Fig.37:** 1. Suction hose 2. Tab

5. Inspect the intake flow path of air for the inside of the aluminum pipe and the hose, and the suction hose. Clean debris inside of them.

6. Align the tongue of the suction hose with the groove in the housing and slip it into place.

► **Fig.38:** 1. Tongue 2. Groove

7. Install the hose, aluminum pipe, brushroll, and bottom plate.

CAUTION: Install the hose, pipe firmly. Otherwise dust leakage may occur and cause injury.

TROUBLESHOOTING

Before asking for repairs, conduct your own inspection first. If you find a problem that is not explained in the manual, do not attempt to disassemble the machine. Instead, ask Makita Authorized Service Centers, always using Makita replacement parts for repairs.

Symptom	Probable cause	Remedy
Not working	Battery cartridges are installed improperly.	Install the battery cartridges as described in this manual.
	The battery cartridges are exhausted.	Charge the battery cartridges.
	The handle is installed improperly.	Install the handle firmly as described in this manual.
The brushroll does not rotate	The appliance is locked in upright position.	Unlock the upright position of the appliance.
	The indicator of brushroll error is lighting.	Inspect that there is no entanglement around the brushroll (body, cap and joint).
Weak suction power	The indicator of excess level of dust is lighting.	Replace the filter bag. If the filter bag is not full, unfold the filter bag and shake it to clear the clogging.
	⇒If replacing the filter bag does not solve the problem...	Clean or replace the HEPA filter. Inspect that there is no debris clogged in the hose and pipe.
	Debris is entangled in the brushroll and the rotating speed is declined.	Inspect that there is no entanglement around the brushroll (body, cap, joint).
	The height of brushroll is too high from the floor.	Lower the height of the brushroll.
	The hair of brushroll has become short.	Replace the brushroll. Lower the height of the brushroll.
	The appliance is operating in low mode.	Change to the higher operating mode.
	The brushroll is not installed.	Install the brushroll.
	The pipe or the hose is installed improperly.	Install the pipe or the hose firmly.
Loud driving noise	The appliance is operating in high mode.	Change to the lower operating mode.
	Debris is entangled in the brushroll.	Inspect that there is no entanglement around the brushroll (body, cap and joint).
	The filter bag is filled with dust.	Replace the filter bag.
	⇒If replacing the filter bag does not solve the problem...	Clean or replace the HEPA filter. Inspect that there is no debris clogged in the hose and pipe.
The indicator of excess level of dust blinks after a little use	The filter bag is folded.	Unfold the entrance of the filter bag before setting it.
LED lamp does not light	The LED lamp setting is off.	During operation, press and hold the battery check / LED lamp button to turn on the LED lamp.
The caster wheel is hard to move	Debris is entangled in the caster wheel.	Clean the debris on the caster wheel.

OPTIONAL ACCESSORIES

⚠ CAUTION: These accessories or attachments are recommended for use with your Makita tool specified in this manual. The use of any other accessories or attachments might present a risk of injury to persons. Only use accessory or attachment for its stated purpose.

If you need any assistance for more details regarding these accessories, ask your local Makita Service Center.

- Corner nozzle
- Round brush
- HEPA filter
- Filter bag
- Makita genuine battery and charger

NOTE: Some items in the list may be included in the tool package as standard accessories. They may differ from country to country.

警告

- 本设备不得由不熟悉操作说明的人员（包括小孩）和体力、感觉及心智不健全或缺乏经验和知识的人员使用。
- 应看管好儿童，勿让其玩耍本吸尘器。
- 有关电池的类型信息，请参阅“规格”章节。
- 有关如何拆卸或安装电池的信息，请参阅“安装或拆卸电池组”部分。
- 丢弃电池组时，需将其从工具上卸下并在安全地带进行处理。关于如何处理废弃的电池，请遵循当地法规。
- 如长时间不使用工具，必须将电池从工具内取出。
- 请勿使电池组短路。
- 有关用户维护期间的注意事项的详情，请参阅“维护”章节。

规格

型号:	DVC560
最大风量*	1.9 m ³ /min
真空吸力*	12 kPa
容量	5 L
尺寸 (长 × 宽 × 高)	326 mm × 318 mm × 1,146 mm
额定电压	D.C. 36 V
净重	8.3 - 9.0 kg

- * 数据来源于Makita的原始测量方法。
- 生产者保留变更规格不另行通知之权利。
 - 规格和电池组可能因销往国家之不同而异。
 - 净重包括附件（圆刷、角落集尘口）和电池组的重量。设备和电池组的最轻及最重组重量见表格。

适用电池组和充电器

电池组	BL1815N / BL1820B / BL1830B / BL1840B / BL1850B / BL1860B
充电器	DC18RC / DC18RD / DC18RE / DC18SD / DC18SE / DC18SF / DC18SH

- 部分以上所列电池组和充电器是否适用视用户所在地区而异。

警告： 请仅使用以上所列电池组和充电器。使用其他类型的电池组或充电器可能会导致人身伤害和 / 或失火。

符号

以下显示本设备可能会使用的符号。在使用工具之前，请务必理解其含义。



阅读使用说明书。



特别小心和注意。



仅限于欧盟国家

由于本设备中包含有害成分，因此废弃的电气和电子设备、蓄电池和普通电池可能会对环境和人体健康产生负面影响。请勿将电气和电子工具或电池与家庭普通废弃物放在一起处置！

根据欧洲关于废弃电气电子设备、蓄电池和普通电池、废弃的蓄电池和普通电池的指令及其国家层面的修订法案，废弃的电气设备、普通电池和蓄电池应当单独存放并递送至城市垃圾收集点，根据环保法规进行处置。

此规定由标有叉形标志的带轮垃圾桶符号表示。

用途

本工具用于收集干尘。本工具适合商业用途，例如，用于酒店、学校、医院、工厂、商店、办公室和租借的办公场所。

安全警告

充电式吸尘器安全警告

警告： 重要事项 使用前请仔细阅读所有的安全警告和所有的说明事项。若不遵循警告和说明事项，可能导致触电、起火和/或严重的人身伤害。

1. 使用前，请确保本集尘器必须由经过培训的合格人员使用。
2. 过滤袋和/或过滤器未放置到位时请勿使用。如果过滤器受损，请立即更换。
3. 避免意外启动。安装电池时请确保开关已关闭。
4. 请勿试图吸取可燃物、鞭炮、点燃的香烟、热灰、热金属片、以及剃刀、针、碎玻璃等尖锐物体。

5. 切勿在附近有汽油、煤气、油漆、粘合剂或其他易爆物质的环境下使用集尘器。开启和关闭时开关会发出火花。操作期间电机整流器也会发出火花。可能会导致爆炸。
6. 该集尘器不适合吸取有毒灰尘。
7. 切勿吸取有毒物质、致癌物质、易燃物质或石棉、砷、钡、铍、铅、杀虫剂等有害物质或其他危及健康的物质。
8. 请勿在户外或潮湿的表面上使用。
9. 芬兰地区用户不得在低温户外使用本机。
10. 请勿在热源（火炉等）附近使用本工具。
11. 切勿堵塞吸气口/吹气口/冷却通风口。这些通风口可冷却电机。应小心避免堵塞，否则电机会因为通风不足而被烧坏。
12. 请勿折叠、拉拽或踩踏软管。
13. 如果您在操作期间发现性能下降或任何异常，请立即停止工具。
14. 取出电池。不使用时，维修前或更换附件时，请断开集尘器电源。
15. 每次使用后请立即清洁和维护吸尘器，使其处于最佳的工作状态。
16. 小心保养集尘器。保持集尘器的清洁，以提高产品的性能和安全性。根据说明更换附件。保持把手干燥、清洁，无油污和润滑脂。
17. 检查有无部件损坏。在进一步使用集尘器之前，应仔细检查保护罩或其他部件有无损坏，以确定工具是否可以正常运转。检查运动部件是否有偏差或粘连、部件是否破损、安装是否妥当以及其他可能会影响工具运行的情况。除非本手册另有声明，否则应由授权维修中心对受损保护罩或其他部件进行修复或更换。失灵的开关由授权的维修中心进行更换。如果开关不能开启和关闭集尘器，请勿使用。
18. 更换部件。进行维修时，请仅使用与原来相同的更换部件。
19. 存放闲置的集尘器。不使用时，应将集尘器存放在室内。
20. 善待集尘器。即便集尘器再结实，野蛮操作也会将其损坏。
21. 请勿试图用苯、稀释剂或清洁用化学品清洁工具的外部或内部。否则可能会导致工具破裂和褪色。
22. 请勿在存放有油基涂料、涂料稀释剂、汽油或防蛀物品，会释放出易燃、易爆或有毒气体的密闭空间里或存在易燃灰尘的地方使用集尘器。

23. 请勿在服药或饮酒的情况下操作本工具或其他工具。
24. 根据使用环境来穿戴合适的保护装备，例如面罩。
25. 本设备不得由不熟悉操作说明的人员（包括小孩）和体力、感觉及心智不健全或缺乏经验和知识的人员使用。
26. 应看管好儿童，勿让其玩耍本吸尘器。
27. 切勿用湿手操作电池和集尘器。
28. 清洁楼梯时要特别注意安全。
29. 操作时请双脚站稳，始终保持平衡。
30. 切勿将集尘器当做凳子或工作台使用。机器可能会跌倒导致人身伤害。
31. 确保身体和衣物远离通风口和移动部件，如处于旋转状态的刷辊。否则，它们可能会卷入工具内并造成人身伤害。

用电池驱动的电动工具的使用和保养

1. 请仅使用制造商指定的充电器进行充电。将适用于某一种类型电池组的充电器用于其他类型的电池组时，可能会导致起火。
2. 电动工具仅可使用专门指定的电池组。使用其他类型的电池组可能会导致人身伤害或起火。
3. 不使用电池组时请将其远离纸夹、硬币、钥匙、钉子、螺丝或其他小型金属物体放置。这些物体可能会使电池端子短路。这些物体可能会使电池端子短路，引起燃烧或起火。
4. 使用过度时，电池中可能溢出液体。请避免接触。如果意外接触到电池漏液，请用水冲洗。如果液体接触到眼睛，请就医。电池漏液可能会导致过敏发炎或灼伤。
5. 不要使用损坏或改装过的电池包或工具。损坏或改装过的电池组可能呈现无法预测的结果，导致着火、爆炸或伤害。
6. 不要将电池包暴露于火或高温中。电池包暴露于火或高于130 °C的高温中可能导致爆炸。
7. 遵循所有充电说明。不要在说明书中指定的温度范围之外给电池包或电动工具充电。不正确或在指定的温度范围外充电可能会损坏电池和增加着火的风险。

请保留此说明书。

警告： 请勿为图方便或因对产品足够熟悉（由于重复使用而获得的经验）而不严格遵循相关产品安全规则。使用不当或不遵循使用说明书中的安全规则会导致严重的人身伤害。

电池组的重要安全注意事项

1. 在使用电池组之前，请仔细阅读所有的说明以及（1）电池充电器，（2）电池，以及（3）使用电池的产品上的警告标记。
2. 切勿拆卸或改装电池组。否则可能引起火灾、过热或爆炸。
3. 如果机器运行时间变得过短，请立即停止使用。否则可能会导致过热、起火甚至爆炸。
4. 如果电解液进入您的眼睛，请用清水将其冲洗干净并立即就医。否则可能会导致视力受损。
5. 请勿使电池组短路：
 - (1) 请勿使任何导电材料碰触到端子。
 - (2) 避免将电池组与其他金属物品如钉子、硬币等放置在同一容器内。
 - (3) 请勿将电池组置于水中或使其淋雨。电池短路将产生大的电流，导致过热，并可能导致起火甚至击穿。
6. 请勿在温度可能达到或超过**50°C**（**122°F**）的场所存放以及使用工具和电池组。
7. 即使电池组已经严重损坏或完全磨损，也请勿焚烧电池组。电池组会在火中爆炸。
8. 请勿对电池组射钉，或者切削、挤压、抛掷、掉落电池组，又或者用硬物撞击电池组。否则可能引起火灾、过热或爆炸。
9. 请勿使用损坏的电池。
10. 本工具附带的锂离子电池需符合危险品法规要求。

第三方或转运代理等进行商业运输时，应遵循包装和标识方面的特殊要求。有关运输项目的准备作业，咨询危险品方面的专业人士。同时，请遵守可能更为详尽的国家法规。

请使用胶带保护且勿遮掩表面的联络信息，并牢固封装电池，使电池在包装内不可动。

11. 丢弃电池组时，需将其从工具上卸下并在安全地带进行处理。关于如何处理废弃的电池，请遵循当地法规。
12. 仅将电池用于Makita（牧田）指定的产品。将电池安装至不兼容的产品会导致起火、过热、爆炸或电解液泄漏。
13. 如长时间未使用工具，必须将电池从工具内取出。
14. 使用工具期间以及使用工具之后，电池组温度可能较高易引起灼伤或低温烫伤。处理高温电池组时请小心操作。
15. 在使用工具后请勿立即触碰工具的端子，否则可能引起灼伤。
16. 避免锯屑、灰尘或泥土卡入电池组的端子、孔口和凹槽内。否则可能导致工具或电池组性能下降或故障。
17. 除非工具支持在高压电源线路附近使用，否则请勿在高压电源线路附近使用电池组。否则可能导致工具或电池组故障或失常。
18. 确保电池远离儿童。

请保留此说明书。

⚠小心： 请仅使用Makita（牧田）原装电池。使用非Makita（牧田）原装电池或经过改装的电池可能会导致电池爆炸，从而造成火灾、人身伤害或物品受损。同时也会导致牧田工具和充电器的牧田保修服务失效。

保持电池最大使用寿命的提示

1. 在电池组电量完全耗尽前及时充电。发现工具电量低时，请停止工具操作，并给电池组充电。
2. 请勿对已充满电的电池组重新充电。过度充电将缩短电池的使用寿命。
3. 请在10 °C - 40 °C (50 °F - 104 °F) 的室温条件下给电池组充电。请在灼热的电池组冷却后再充电。
4. 不使用电池组时，请将其从工具或充电器上拆除。
5. 如果电池组长时间（超过六个月）未使用，请给其充电。

部件说明

► 图片1

1	把手	2	开关板	3	管道夹握器	4	软管
5	指示面板	6	锁定杆（集尘箱盖板）	7	集尘箱盖板	8	搬运把手
9	盖锁（电池盖）	10	调节杆	11	电池盖	12	角落集尘口
13	圆刷	14	脚踏杆	15	脚轮	16	边刷
17	吸入软管	18	接头	19	铝管	20	管支架
21	LED灯	22	刷辊	23	底板	24	ON（开）/ 模式变换按钮
25	OFF（关）按钮	26	工作模式指示灯	27	粉尘过量指示灯	28	刷辊错误指示灯
29	剩余电池电量指示灯	30	电池检查 / LED灯按钮	-	-	-	-

装配

⚠小心： 对工具进行任何操作前，请务必关闭工具并取出电池组。

⚠小心： 安装或维护期间请务必佩戴防尘面罩。

连接把手

1. 按照图示将把手杆完全插入吸尘器主体内。
 2. 闭合锁门。
- 图片2: 1. 把手杆 2. 红色标记 3. 锁门

注意： 须将把手完全插入，直到看不到红色标记为止。

连接软管

将软管插入本工具的安装口内，然后转动软管直至其锁定。

► 图片3

连接管道

将铝管端口插入接头内，然后将铝管固定在管支架上。

► 图片4: 1. 接头 2. 管支架

注意： 务必沿图示的正确方向插入铝管。否则管支架不会被锁定，从而导致铝管脱落。

► 图片5

安装或拆卸电池组

⚠小心： 安装或拆卸电池组之前，请务必关闭工具电源。

⚠小心： 安装或拆卸电池组时请握紧集尘器和电池组。否则它们可能从您的手中滑落，导致工具和电池组受损，甚至造成人身伤害。

⚠小心： 打开或关闭电池盖时请小心不要夹住您的手指。否则可能会导致人身伤害。

安装电池组时，请先解除锁定，然后打开电池盖。然后插入电池组。

► 图片6: 1. 锁定 2. 电池盖

将电池组上的舌簧与外罩上的凹槽对齐，然后推滑到位。将其完全插入到位，直到锁定并发出卡嗒声为止。然后锁定电池盖。

► 图片7: 1. 电池组 2. 按钮

拆卸电池组时，按下电池组前侧的按钮，同时将电池组从工具中滑出。

⚠小心： 务必将电池组完全装入。否则它可能会从工具中意外脱落，从而造成自身或他人受伤。

⚠小心： 请勿强行安装电池组。如果电池组难以插入，可能是插入方法不当。

注： 仅安装单个电池组时，集尘器无法工作。

安装过滤袋

⚠小心： 请勿使用损坏的过滤袋。使用集尘器时，务必确保过滤袋已正确安装。否则吸入的灰尘或颗粒物可能会从集尘器排出，可能会导致操作者罹患呼吸道疾病。

使用吸尘器前，请安装过滤袋。过滤袋为一次性使用物品。请把集满灰尘的过滤袋整个扔掉，不必清空。

注意： 过滤袋已满或阻塞时，请更换新的过滤袋。继续使用已装满或阻塞的过滤袋会导致吸力下降。

注意： 为防止灰尘进入电机：

— 务必在使用前安装过滤袋。

— 请勿使用已受损或破裂的集尘袋。

否则可能会损坏电机。

注意： 安装过滤袋时，请勿折叠其开口处的卡纸板。

注意： 本吸尘器专用的过滤袋是保持工具良好性能的重要部件。使用非原装过滤袋可能会引起冒烟或起火。

注： 当本工具中未安装过滤袋时，集尘箱盖板不会完全关闭。

1. 将锁定杆解锁，然后打开集尘箱盖板。

► 图片8: 1. 锁定杆 2. 集尘箱盖板

2. 完全展开过滤袋。

► 图片9

3. 将过滤袋插入固定支架的插槽内，确保带△标记的一侧先进入插槽内。

4. 钩住固定支架锁扣。

► 图片10: 1. 插槽 2. 过滤袋 3. 固定支架 4. 锁扣

5. 确保固定支架的狭缝中仅能看到卡纸板上的标记。

► 图片11: 1. 标记 2. 狭缝

6. 如果过滤袋被折叠，将其展开。

► 图片12

7. 将集尘箱盖板牢固锁定。

⚠小心： 钩住锁扣以及关闭集尘箱盖板时请小心操作，避免夹住手指。

移除过滤袋

小心： 轻轻拆除过滤袋。否则可能会导致异物入眼，造成人身伤害。

过滤袋已满或阻塞时应更换过滤袋。打开集尘箱盖板，解开锁扣，然后取出过滤袋。

拉拽开口一侧的带子将过滤袋扎紧，然后将过滤袋整体丢弃。

► **图片13:** 1. 锁扣 2. 带子

注意： 不要使用用过的过滤袋。过滤袋设计为一次性耗材。重复使用过滤袋可能会堵塞过滤器并造成吸尘器损坏。如果要重复使用，请使用集尘袋。

功能描述

小心： 调节或检查工具功能之前，请务必关闭工具电源并取出电池组。

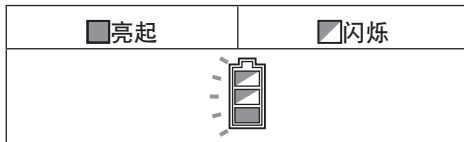
工具 / 电池保护系统

本工具配备有工具 / 电池保护系统。该系统可自动切断电机电源以延长工具和电池寿命。作业时，如果工具或电池处于以下情况，工具将会自动停止运转。

过载保护

以导致异常高电流的方式操作工具时，工具会自动停止运转，指示灯不闪烁。在这种情况下，请关闭工具并停止导致工具过载的应用操作。然后开启工具重新启动。

过热保护



工具过热时，工具将自动停止运转且电池指示灯闪烁约60秒。在这种情况下，请等待工具冷却后再开启工具。

过放电保护















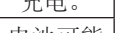


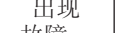
电池剩余电量变低时，本工具自动停止运转。如果即使在打开开关时本产品仍不运转，请从工具上拆下电池并给电池充电。

显示电池的剩余电量

仅限带指示灯的电池组

► **图片14:** 1. 指示灯 2. CHECK (查看) 按钮

按电池组上的CHECK (查看) 按钮可显示电池剩余电量。指示灯将亮起数秒。

指示灯			剩余电量
 点亮	 熄灭	 闪烁	
			75%至100%
			50%至75%
			25%至50%
			0%至25%
			给电池充电。
			电池可能出现故障。
			

注： 在不同的使用条件及环境温度下，指示灯所示电量可能与实际情况略有不同。

注： 当电池保护系统启动时，第一个（最左侧）指示灯将闪烁。

指示面板

► **图片15:** 1. 工作模式 2. 粉尘过量 3. 刷机错误 4. 剩余的电池电量 5. 电池检查 / LED灯按钮

工作模式

若要更改工作模式，请参见开关操作章节。

粉尘过量

若指示灯亮起，请更换过滤袋。（参见移除过滤袋章节。）

注：当本工具在“低噪音级别(1)”模式下工作时，指示灯不会亮起。

注：在某些使用环境下，此指示灯可能不会亮起。

注：关闭工具电源约一分钟后，指示灯自动熄灭。如果清除过滤袋的阻塞并重启工具，指示灯将在一分钟之内熄灭。

刷辊错误








闪烁	刷辊因某些原因处于高负载状态。
亮起	刷辊因异常原因停止运作。

警告：此灯在操作期间亮起时，应立即关闭工具。否则可能会导致电机故障，进而引发火灾。

剩余的电池电量

操作期间，按下电池检查 / LED灯按钮可显示剩余电池电量。各个电池有与之相对应的电池指示灯。

► 图片16

电池指示灯状态			剩余的 电池电量
 亮起	 熄灭	 闪烁	
			50%至 100%
			20%至 50%
			0%至 20%
			给电池 充电

电池检查 / LED灯按钮

操作期间可以执行以下操作。

- 只需按下此按钮即可查看剩余的电池电量。
- 按住此按钮可开启 / 关闭LED灯。

开关操作

- **图片17:** 1. ON (开) / 模式变换按钮
- 2. OFF (关) 按钮

打开/关闭工具

启动本工具时，只需按ON (开) / 模式变换按钮即可。关闭工具时，则按OFF (关) 按钮。

小心：开启工具后，务必将工具头放置于地板上。否则可能会引发卷入事故，并造成人身伤害。

更改工作模式

您可以更改工作模式（共三档）：“低噪音级别(1)”、“正常(2)”和“高(3)”。如需更改工作模式，请在工具运行期间按下ON (开) / 模式变换按钮。工具将按照“低噪音级别(1)”、“正常(2)”、“高(3)”的顺序切换工作模式。工具会以此前设置的模式启动。

点亮LED灯

小心：请勿直视灯光或光源。

本工具配备有LED灯。请参见有关电池检查 / LED灯按钮操作的段落。

- **图片18:** 1. LED灯

脚踏杆

小心：放开把手时，请务必将工具锁定在直立位置。否则工具可能会意外掉落，并造成人身伤害。

小心：小心操作，避免手指夹在工具主体和工具头之间。

若要解锁工具的直立位置，可踩住脚踏杆，然后向后拉拽把手。

工具可自直立位置起旋转90度。

- **图片19:** 1. 脚踏杆

若要工具锁定在直立位置，请将把手向上抬起，直至听到咔哒声确认脚踏杆将其位置锁定为止。

- **图片20**

注：当工具处于直立位置时，刷辊停止转动。

调节刷辊高度

⚠️小心： 操作前请务必将调节杆置于对应位置。

刷辊高度有4个档位可调。

将调节杆旋转至所需高度。

当调节杆指向A标记时，刷辊位于地板上方最低点处，此时适合清洁硬质地板和短毛地毯。当调节杆指向B标记时，刷辊位于地板上方最高点处，此时适合清洁长毛地毯。

► 图片21: 1. 调节杆

注： 当刷辊因位置过低而抵住地毯表面时，刷辊可能无法转动。

搬运把手

搬运工具时，可利用脚轮推动工具，也可以抓住搬运把手搬运工具。

► 图片22

⚠️小心： 当搬运本工具时，请务必将工具锁定在直立位置。否则可能会引发掉落事故。

⚠️小心： 搬运时，请勿抓持除搬运把手以外的其他位置。否则可能会引发掉落事故，或者导致工具意外启动从而造成人身伤害。

► 图片23

操作

⚠️小心： 操作期间请勿将把手杆从工具上拔出。否则会导致工具失控，由此可能造成严重的人身伤害。

⚠️小心： 操作期间请勿将手或腿置于工具下方。否则可能会引发挤压事故。

普通清洁操作

1. 抓住把手，然后解锁直立位置。
2. 打开工具电源。清洁地板。

► 图片24

使用边刷

边刷可以方便清洁墙角。

若边刷变短，请将工具移交给Makita（牧田）服务中心进行更换

► 图片25: 1. 边刷

使用附件操作

⚠️小心： 使用附件时，必须始终抓住把手。否则工具可能会意外掉落，并造成人身伤害。

注意： 使用附件时，请务必将工具锁定在直立位置。否则刷辊的转动可能会损坏地板。

使用铝管

铝管适合清洁狭窄空间或高处。

► 图片26: 1. 铝管

使用软管

软管适合清洁手边区域。

► 图片27: 1. 软管

若要使用软管，请在按住锁定杆的同时将铝管从软管中拔出。

若要安装软管，请将软管插入铝管内直至其扣合为止。

► 图片28: 1. 锁定杆

使用附件

► 图片29

若要安装附件，请将其牢固拧入铝管或软管内。断开时，边转动边将其抽出。

保养

⚠️小心： 检查或保养工具之前，请务必关闭机器并取出电池组。

注意： 切勿使用汽油、苯、稀释剂、酒精或类似物品清洁工具。否则可能会导致工具变色、变形或出现裂缝。

为了保证产品的安全与可靠性，维修、任何其他维修保养或调节需由Makita（牧田）授权的或工厂维修服务中心完成。务必使用Makita（牧田）的替换部件。

存放

存放工具时请取出电池组并将工具以直立状态置于水平位置上。

► 图片30

清洁工具主体

要经常使用蘸有肥皂水的抹布擦除吸尘器外部（吸尘器主机）的灰尘。

► 图片31

清洁HEPA过滤器

小心：不得在未安装过滤器的情况下使用吸尘器或者使用已脏污或损坏的过滤器。吸入的灰尘或颗粒可能会从吸尘器中排出，导致操作人员出现呼吸道疾病。

注意：为确保良好的吸力以及排气顺畅，请定期清洁过滤器。如果清洁上述位置后吸力仍不理想，请更换新的过滤器。

注意：为防止过滤器受损，请勿使用以下和类似工具进行清洁：

- 空气除尘器
- 高压清洗机
- 金属刷等采用硬质材料制成的工具

1. 打开集尘箱盖板，然后取出过滤袋。
解开过滤器上的挂钩，然后将过滤器从工具主体上拆除。

► 图片32: 1. 挂钩

2. 拍落过滤器上的灰尘。过滤器可以水洗。每隔1至2个月清洗一次过滤器上的灰尘和颗粒物。清洗后，为防止产生异味或出现故障，请将过滤器放在通风良好，且无阳光直射的地方完全晾干。

3. 安装过滤器时，将没有挂钩的一侧插入凹槽内，然后向内推动过滤器直至挂钩固定并伴随有哒哒声发出为止。

► 图片33: 1. 凹槽 2. HEPA过滤器 3. 挂钩

清洁刷辊

1. 先拆除底板，再拆除刷辊。

若刷辊的刷毛变短，请联系Makita（牧田）维修服务中心换新。

使用配置短毛刷辊的工具可能会导致集尘效果不佳。

► 图片34: 1. 底板 2. 刷辊

2. 使用剪刀清除刷辊上缠绕的线和毛发。拆除盖子，清扫碎片。

► 图片35: 1. 盖子

3. 按相反顺序安装盖子、刷辊和底板。

► 图片36

小心：将底板完全固定。若在未安装底板的情况下操作工具，刷辊可能会脱落并造成人身伤害。

注意：必须始终安装刷辊。使用未配置刷辊的工具可能会导致集尘效果不佳。

如何清洁阻塞物

注意：请勿操作进气流量阻塞的工具。继续使用会导致吸力下降。

1. 先拆除底板，再拆除刷辊。
2. 将铝管分别从工具和软管上拆除。
3. 沿逆时针方向旋转软管，然后将软管从工具上拆除。

4. 拉拽凸槽以拆除吸入软管。
► 图片37: 1. 吸入软管 2. 凸槽

5. 检查铝管、软管和吸入软管内侧的进气流量。

清洁内侧的碎片。

6. 将吸入软管上的舌簧与外罩上的凹槽对齐，然后推滑到位。

► 图片38: 1. 舌簧 2. 凹槽

7. 安装软管、铝管、刷辊和底板。

小心：软管和管道必须安装牢固。否则，可能会引发粉尘泄漏，造成人身伤害。

故障排除

请求维修前，请先自行检查。如果您发现本手册中有未作说明的问题，请勿尝试拆卸机器。请联络Makita（牧田）授权维修服务中心，使用Makita（牧田）的替换部件进行修复。

症状	可能的原因	纠正措施
不工作	电池组安装不当。	按本手册所述安装电池组。
	电池组电量耗尽。	给电池组充电。
	把手安装不当。	按本手册所述将把手安装牢固。
刷辊不转动	工具锁定在直立位置。	解锁工具直立位置。
	刷辊错误指示灯亮起。	检查并确认刷辊（主体、盖子和接头）周围未卷入异物。
吸力低	粉尘过量指示灯亮起。	更换过滤袋。 如果过滤袋未滿，请展开过滤袋并抖动以清除阻塞。
	⇨若更换过滤袋后，问题依然存在。	清洁或更换HEPA过滤器。 检查并确认软管和管道中未被碎片阻塞。
	刷辊内卷入碎片，导致旋转速度下降。	检查并确认刷辊（主体、盖子、接头）周围未卷入异物。
	刷辊相对于地板过高。	降低刷辊高度。
	刷辊刷毛过短。	更换刷辊。 降低刷辊高度。
	工具在低噪音模式下运转。	更改为高速工作模式。
	未安装刷辊。	安装刷辊。
	管道或软管安装不当。	将管道或软管安装牢固。
传动噪音过大	工具在高速模式下运转。	更改为低速模式。
	刷辊内卷入碎片。	检查并确认刷辊（主体、盖子和接头）周围未卷入异物。
	过滤袋装满粉尘。	更换过滤袋。
	⇨若更换过滤袋后，问题依然存在。	清洁或更换HEPA过滤器。 检查并确认软管和管道中未被碎片阻塞。
	仅使用一会儿粉尘过量指示灯便闪烁	过滤袋被折叠。
LED灯不亮	LED灯设置关闭。	操作期间，按住电池检查 / LED灯按钮可开启LED灯。
脚轮难以移动	脚轮内卷入碎片。	清洁脚轮上的碎片。

选购附件

⚠小心： 这些附件或装置专用于本说明书所列的**Makita（牧田）**工具。如使用其他厂牌附件或装置，可能导致人身伤害。仅可将附件或装置用于规定目的。

如您需要了解更多关于这些选购附件的信息，请咨询当地的**Makita（牧田）**维修服务中心。

- 角落集尘口
- 圆刷
- **HEPA**过滤器
- 过滤袋
- **Makita（牧田）**原装电池和充电器

注： 本列表中的一些部件可能作为标准配件包含于工具包装内。它们可能因销往国家之不同而异。

PERINGATAN

- Pengisap ini tidak dimaksudkan untuk digunakan oleh orang termasuk anak-anak dengan kemampuan fisik, indra, atau mental terbatas atau orang yang tidak berpengalaman.
- Awasi anak-anak untuk memastikan mereka tidak bermain-main dengan pembersih ini.
- Lihat bagian "SPESIFIKASI" untuk mengetahui referensi tipe baterai.
- Lihat bagian "Memasang atau melepas kartrid baterai" untuk mengetahui cara mengganti atau memasang baterai.
- Ketika membuang kartrid baterai, lepaskan dari mesin dan buang ke tempat yang aman. Patuhi peraturan setempat yang berkaitan dengan pembuangan baterai.
- Jika mesin tidak digunakan dalam jangka waktu yang lama, baterai harus dilepas dari mesin.
- Jangan menghubungkan terminal kartrid baterai.
- Lihat bagian "PEMELIHARAAN" untuk mengetahui detail tindakan pencegahan yang sesuai selama perawatan oleh pengguna.

SPESIFIKASI

Model:	DVC560
Volume udara maksimum*	1,9 m ³ /min
Pengisap*	12 kPa
Kapasitas	5 L
Dimensi (P x L x T)	326 mm x 318 mm x 1.146 mm
Tegangan terukur	D.C. 36 V
Berat bersih	8,3 - 9,0 kg

- * Nilai diukur menggunakan metode asli milik kami.
- Karena kesinambungan program penelitian dan pengembangan kami, spesifikasi yang disebutkan di sini dapat berubah tanpa pemberitahuan.
- Spesifikasi dan kartrid baterai dapat berbeda dari satu negara ke negara lainnya.
- Berat termasuk aksesoris (sikat bulat, nosel sudut) dan kartrid baterai. Berat gabungan paling ringan dan paling berat dari peralatan dan kartrid baterai ditampilkan dalam tabel.

Kartrid dan pengisi daya baterai yang dapat digunakan

Kartrid baterai	BL1815N / BL1820B / BL1830B / BL1840B / BL1850B / BL1860B
Pengisi daya	DC18RC / DC18RD / DC18RE / DC18SD / DC18SE / DC18SF / DC18SH

- Beberapa kartrid baterai dan pengisi daya yang tercantum di atas mungkin tidak tersedia, tergantung wilayah tempat tinggal Anda.

⚠ PERINGATAN: Hanya gunakan kartrid dan pengisi daya baterai yang tercantum di atas. Penggunaan kartrid dan pengisi daya baterai lain dapat menimbulkan risiko cedera dan/atau kebakaran.

Simbol

Berikut ini adalah simbol-simbol yang dapat digunakan pada peralatan ini. Pastikan Anda memahami arti masing-masing simbol sebelum menggunakan peralatan.



Baca petunjuk penggunaan.



Berhati-hatilah dan pusatkan perhatian Anda.



Ni-MH
Li-Ion

Hanya untuk negara-negara UE
Akibat adanya komponen berbahaya dalam peralatan, limbah peralatan listrik dan elektronik, aki dan baterai dapat memiliki dampak negatif pada lingkungan dan kesehatan manusia.

Jangan buang peralatan listrik dan elektronik atau baterai bersama limbah rumah tangga!

Sesuai dengan Petunjuk Eropa tentang limbah peralatan listrik dan elektronik dan tentang aki dan baterai serta limbah aki dan baterai, serta penyesuaiannya terhadap undang-undang nasional, limbah peralatan listrik, baterai dan aki harus disimpan secara terpisah dan dikirim ke tempat pengumpulan terpisah untuk sampah kota, beroperasi sesuai dengan peraturan tentang perlindungan lingkungan.

Hal ini ditunjukkan dengan simbol tempat sampah bersilang yang ditempatkan pada peralatan.

Penggunaan

Peralatan ini digunakan untuk membersihkan debu kering. Peralatan ini cocok untuk penggunaan komersial, misalnya di hotel, sekolah, rumah sakit, pabrik, toko, kantor dan bisnis penyewaan.

PERINGATAN KESELAMATAN

Peringatan keselamatan penyedot debu nirkabel

⚠️ PERINGATAN: PENTING BACALAH semua peringatan keselamatan dan semua petunjuk **SEBELUM MENGGUNAKAN DENGAN SAKSAMA.** Kelalaian mematuhi peringatan dan petunjuk dapat menyebabkan sengatan listrik, kebakaran, dan/atau cedera serius.

1. **Sebelum penggunaan, pastikan pengisap digunakan oleh orang yang telah memahami petunjuk penggunaan pengisap ini.**
2. **Jangan menggunakan tanpa kantong saringan dan/atau saringan pada tempatnya. Segera ganti saringan yang rusak.**
3. **HINDARI PENYALAAAN YANG TIDAK DISENGAJA.** Pastikan sakelar di posisi OFF saat memasang baterai.

4. **Jangan gunakan untuk membersihkan bahan yang mudah terbakar, kembang api, rokok menyala, abu panas, serpihan logam panas, benda tajam seperti pisau cukur, jarum, pecahan kaca, atau sejenisnya.**
5. **JANGAN GUNAKAN PENGISAP DI DEKAT BENSIN, GAS, CAT, PEREKAT, ATAU BAHAN LAINNYA YANG MUDAH MELEDAK.** Sakelar memercikkan api saat dinyalakan dan dimatikan. Begitu pula komutator motor saat pengoperasian. Dapat terjadi ledakan.
6. **Pembersih ini tidak cocok digunakan untuk mengangkat debu berbahaya.**
7. **Jangan gunakan untuk membersihkan bahan beracun, karsinogenik, mudah terbakar, atau bahan berbahaya lain seperti asbestos, arsenik, barium, berilium, timbal, pestisida, atau bahan lain yang berbahaya bagi kesehatan.**
8. **Jangan digunakan di luar ruangan atau pada permukaan yang basah.**
9. **Di Finlandia, mesin ini tidak digunakan di luar ruangan pada suhu rendah.**
10. **Jangan menggunakan peralatan di dekat sumber panas (kompor, dll.).**
11. **Jangan menghalangi ventilasi inlet/ stopkontak/pendingin pengisap. Ventilasi ini berfungsi mendinginkan motor. Jangan sampai terhalang karena motor dapat terbakar akibat kekurangan ventilasi.**
12. **Jangan menekuk, menarik, atau menginjak kabel.**
13. **Segera hentikan pengisap jika kinerjanya buruk atau terjadi hal yang tidak wajar selama pengoperasian.**
14. **LEPASKAN BATERAI.** Saat tidak digunakan, sebelum perbaikan, dan saat mengganti aksesoris.
15. **Bersihkan dan rawat pembersih debu segera setelah selesai digunakan untuk menjaganya tetap dalam kondisi operasi optimal.**
16. **RAWATLAH PENGISAP DENGAN BAIK.** Jaga agar pengisap tetap bersih untuk mendapatkan kinerja yang lebih baik dan aman. Ikuti petunjuk saat mengganti aksesoris. Jagalah agar gagang kering, bersih, serta bebas dari minyak dan gemuk.
17. **PERIKSA BAGIAN YANG RUSAK.** Sebelum terus menggunakan pengisap, pelindung dan bagian lainnya yang rusak harus diperiksa secara cermat untuk menentukan apakah pengisap akan bekerja dengan baik dan berfungsi sesuai yang diharapkan. Periksa kesejajaran bagian yang berputar, macetnya gerakan bagian yang berputar, kerusakan komponen, kondisi pemasangan dan hal lain yang dapat memengaruhi kerja pengisap. Pelindung atau bagian lain yang rusak harus diperbaiki dengan benar atau diganti oleh pusat layanan resmi kecuali jika diindikasikan lain dalam petunjuk penggunaan ini. Ganti sakelar-sakelar yang rusak oleh pusat layanan resmi. Jangan gunakan pengisap jika sakelar tidak dapat menyalakan dan mematikan pengisap.

18. **SUKU CADANG PENGGANTI.** Saat melakukan perbaikan, gunakan hanya suku cadang pengganti yang serupa.
19. **SIMPAN PENGISAP SAAT TIDAK DIGUNAKAN.** Saat tidak digunakan, pengisap harus disimpan dalam ruangan.
20. **Tangani pengisap dengan hati-hati.** Penanganan yang kasar dapat menyebabkan kerusakan pada pengisap paling kokoh sekalipun.
21. **Jangan bersihkan bagian luar pengisap dengan benzena, tiner, atau bahan kimia pembersih.** Penggunaan bahan tersebut dapat menimbulkan keretakan dan perubahan warna.
22. **Jangan gunakan pengisap di ruangan tertutup yang terdapat uap yang mudah terbakar, mudah meledak, atau beracun yang berasal dari cat berbau dasar minyak, tiner cat, bensin, bahan antirayap, dsb. atau di area di mana terdapat debu yang mudah terbakar.**
23. **Jangan mengoperasikan mesin ini atau alat lainnya saat berada dalam pengaruh obat atau alkohol.**
24. **Kenakan peralatan pelindung yang sesuai, seperti masker, bergantung pada lingkungan penggunaan.**
25. **Pengisap ini tidak dimaksudkan untuk digunakan oleh orang termasuk anak-anak dengan kemampuan fisik, indra, atau mental terbatas atau orang yang tidak berpengalaman.**
26. **Awasi anak-anak untuk memastikan mereka tidak bermain-main dengan pembersih ini.**
27. **Dilarang memegang baterai atau pengisap dengan tangan yang basah.**
28. **Berhati-hatilah saat membersihkan tangga.**
29. **Selalu jagalah pijakan dan keseimbangan.**
30. **Jangan gunakan pengisap sebagai tempat duduk atau meja kerja. Pengisap dapat jatuh dan menyebabkan cedera.**
31. **Jauhkan semua anggota tubuh dan baju Anda dari bukaan dan bagian yang bergerak seperti sikat rol yang berputar. Jika tidak, benda-benda tersebut dapat tersangkut di peralatan dan menyebabkan cedera.**

Penggunaan dan pemeliharaan mesin bertenaga baterai

1. **Isi ulang baterai hanya dengan pengisi daya yang ditentukan oleh pabrik.** Pengisi daya yang cocok untuk satu jenis paket baterai dapat menimbulkan risiko kebakaran ketika digunakan untuk paket baterai yang lain.
2. **Gunakan mesin listrik hanya dengan paket baterai yang telah ditentukan secara khusus.** Penggunaan paket baterai lain dapat menimbulkan risiko cedera dan kebakaran.
3. **Ketika paket baterai tidak digunakan, jauhkan dari benda logam lain, seperti penjepit kertas, uang logam, kunci, paku, sekrup atau benda logam kecil lainnya, yang dapat menghubungkan satu terminal ke terminal lain.** Hubungan singkat terminal baterai dapat menyebabkan luka bakar atau kebakaran.

4. **Pemakaian yang salah, dapat menyebabkan keluarnya cairan dari baterai; hindari kontak. Jika terjadi kontak secara tidak sengaja, bilas dengan air. Jika cairan mengenai mata, cari bantuan medis.** Cairan yang keluar dari baterai bisa menyebabkan iritasi atau luka bakar.
5. **Jangan menggunakan paket baterai atau mesin yang sudah rusak atau telah diubah.** Baterai yang rusak atau telah diubah dapat menyebabkan hal-hal yang tidak dapat diprediksi yang dapat menyebabkan kebakaran, ledakan atau risiko cedera.
6. **Jangan membiarkan paket baterai atau mesin dekat dengan api atau suhu yang berlebihan.** Paparan api atau suhu di atas 130 °C dapat menyebabkan ledakan.
7. **Ikuti semua petunjuk pengisian daya dan jangan mengisi daya paket baterai atau mesin di luar rentang suhu yang ditentukan di panduan.** Mengisi daya secara tidak tepat atau pada suhu di luar rentang yang ditentukan dapat merusak baterai dan meningkatkan risiko kebakaran.

SIMPAN PETUNJUK INI.

⚠️ PERINGATAN: JANGAN biarkan kenyamanan atau terbiasanya Anda dengan produk (karena penggunaan berulang) mengurangi kepatuhan yang ketat terhadap aturan keselamatan untuk produk yang terkait. **PENYALAHGUNAAN** atau kelalaian mematuhi kaidah keselamatan yang tertera dalam petunjuk ini dapat menyebabkan cedera badan serius.

Petunjuk keselamatan penting untuk kartrid baterai

1. **Sebelum menggunakan kartrid baterai, bacalah semua petunjuk dan penandaan pada (1) pengisi daya baterai, (2) baterai, dan (3) produk yang menggunakan baterai.**
2. **Jangan membongkar atau memodifikasi kartrid baterai.** Tindakan tersebut dapat menimbulkan api, panas berlebih, atau ledakan.
3. **Jika waktu beroperasinya menjadi sangat singkat, segera hentikan penggunaan.** Hal tersebut dapat menimbulkan risiko panas berlebih, kemungkinan mengalami luka bakar atau bahkan terjadi ledakan.
4. **Jika elektrolit mengenai mata Anda, basuh dengan air bersih dan segera cari pertolongan medis.** Hal tersebut dapat mengakibatkan hilangnya kemampuan penglihatan Anda.
5. **Jangan menghubungkan terminal kartrid baterai:**
 - (1) **Jangan menyentuh terminal dengan bahan penghantar listrik apa pun.**
 - (2) **Hindari menyimpan kartrid baterai pada wadah yang berisi benda logam lain seperti paku, uang logam, dsb.**

- (3) **Jangan membiarkan baterai terkena air atau kehujanan.**
Hubungan singkat baterai dapat menyebabkan aliran arus listrik yang besar, panas berlebih, kemungkinan mengalami luka bakar dan bahkan kerusakan pada baterai.
6. **Jangan menyimpan dan menggunakan mesin dan kartrid baterai pada lokasi dengan suhu yang bisa mencapai atau melebihi 50 °C (122 °F).**
 7. **Jangan membuang kartrid baterai di tempat pembakaran sampah walaupun benar-benar rusak atau tidak bisa digunakan sama sekali. Kartrid baterai bisa meledak jika terbakar.**
 8. **Jangan memaku, memotong, menghancurkan, melempar, menjatuhkan kartrid baterai, atau memukulkan benda keras ke kartrid baterai.**
Tindakan tersebut dapat menimbulkan api, panas berlebih, atau ledakan.
 9. **Jangan menggunakan baterai yang rusak.**
 10. **Baterai litium-ion yang disertakan sesuai dengan persyaratan Perundangan Makanan Berbahaya.**
Harus ada pengawasan untuk pengangkutan komersial misalnya oleh pihak ketiga, ekspeditor, persyaratan khusus terhadap pengemasan dan pelabelan.
Diperlukan adanya konsultasi dengan ahli mengenai material berbahaya untuk persiapan barang yang akan dikirimkan. Perhatikan pula peraturan nasional yang lebih terperinci yang mungkin ada.
Beri perekat atau tutupi bagian yang terbuka dan kemasan baterai dengan cara yang tidak akan menimbulkan pergeseran dalam pengemasan.
 11. **Ketika membuang kartrid baterai, lepaskan dari mesin dan buang ke tempat yang aman. Patuhi peraturan setempat yang berkaitan dengan pembuangan baterai.**
 12. **Gunakan baterai hanya dengan produk yang ditentukan oleh Makita.** Memasang baterai pada produk yang tidak sesuai dapat menyebabkan kebakaran, kelebihan panas, ledakan, atau kebocoran elektrolit.
 13. **Jika mesin tidak digunakan dalam jangka waktu yang lama, baterai harus dilepas dari mesin.**
 14. **Selama dan setelah digunakan, kartrid baterai mungkin menyimpan panas yang dapat menyebabkan luka bakar atau luka bakar suhu rendah.** Perhatikan cara memegang kartrid baterai yang masih panas.
 15. **Jangan langsung menyentuh terminal mesin setelah digunakan karena suhunya mungkin cukup panas untuk menyebabkan luka bakar.**
 16. **Jangan biarkan serpihan, debu, atau tanah menempel di terminal, lubang, dan alur kartrid baterai.** Hal tersebut dapat mengakibatkan kinerja buruk atau kerusakan mesin maupun kartrid baterai.
 17. **Kecuali jika mesin mendukung penggunaan di dekat saluran listrik bertegangan tinggi, jangan gunakan kartrid baterai di dekat saluran listrik bertegangan tinggi.** Hal tersebut dapat mengakibatkan kegagalan fungsi atau kerusakan mesin maupun kartrid baterai.
 18. **Jauhkan baterai dari jangkauan anak-anak.**

SIMPAN PETUNJUK INI.

PERHATIAN: Gunakan baterai asli Makita. Penggunaan baterai Makita yang tidak asli, atau baterai yang sudah diubah, akan mengakibatkan baterai mudah terbakar, cedera dan kerusakan. Akan menghilangkan garansi Makita pada pengisi daya dan alat Makita.

Tip untuk menjaga agar umur pemakaian baterai maksimum

1. **Isi ulang kartrid baterai sebelum habis sama sekali.** Selalu hentikan penggunaan mesin dan ganti kartrid baterai jika Anda melihat bahwa mesin kurang tenaga.
2. **Jangan pernah mengisi ulang kartrid baterai yang sudah diisi penuh.** Pengisian ulang yang berlebih memperpendek umur pemakaian baterai.
3. **Isi ulang kartrid baterai pada suhu ruangan 10 °C - 40 °C.** Biarkan kartrid baterai yang panas menjadi dingin terlebih dahulu sebelum diisi ulang.
4. **Saat kartrid baterai tidak digunakan, lepaskan dari mesin atau pengisi daya.**
5. **Isi ulang daya kartrid baterai jika Anda tidak menggunakannya untuk jangka waktu yang lama (lebih dari enam bulan).**

DESKRIPSI KOMPONEN MESIN

► Gbr.1

1	Pegangan	2	Pelat sakelar	3	Gagang pipa	4	Selang
5	Panel indikator	6	Tuas (untuk penutup kotak debu)	7	Penutup kotak debu	8	Pegangan jinjing
9	Kunci (untuk penutup baterai)	10	Tuas penyétel	11	Penutup baterai	12	Nosel sudut
13	Sikat bulat	14	Tuas kaki	15	Roda caster	16	Sikat samping
17	Selang pengisap	18	Sambungan	19	Pipa aluminium	20	Penahan pipa
21	Lampu LED	22	Rol sikat	23	Pelat bawah	24	Tombol ON/pengubah mode
25	Tombol OFF	26	Indikator mode pengoperasian	27	Indikator tingkat debu berlebih	28	Indikator kesalahan rol sikat
29	Indikator kapasitas baterai yang tersisa	30	Tombol pemeriksaan baterai/lampu LED	-	-	-	-

PERAKITAN

⚠️ PERHATIAN: Selalu pastikan bahwa peralatan dimatikan dan kartrid baterai dilepas sebelum melakukan pekerjaan apa pun pada peralatan.

⚠️ PERHATIAN: Selalu gunakan masker debu saat perakitan atau perawatan.

Menyambung pegangan

- Masukkan batang pegangan seluruhnya ke badan pembersih debu seperti yang ditunjukkan dalam gambar.
 - Tutup kait kunci.
- **Gbr.2:** 1. Batang pegangan 2. Tanda merah 3. Kait kunci

PEMBERITAHUAN: Masukkan pegangan sepenuhnya sampai tanda merah tidak lagi terlihat.

Menyambungkan selang

Masukkan selang ke dalam port pemasangan peralatan dan putar selang sampai terkunci.

► **Gbr.3**

Menyambungkan pipa

Masukkan ujung pipa aluminium ke sambungan, lalu pasang pipa aluminium ke penahan pipa.

► **Gbr.4:** 1. Sambungan 2. Penahan pipa

PEMBERITAHUAN: Masukkan pipa aluminium dengan arah yang benar seperti yang ditunjukkan pada gambar. Jika tidak, penahan pipa tidak akan terkunci dan pipa aluminium terlepas.

► **Gbr.5**

Memasang atau melepas baterai

⚠️ PERHATIAN: Selalu matikan peralatan sebelum memasang atau melepas kartrid baterai.

⚠️ PERHATIAN: Pegang pembersih dan kartrid baterai dengan kuat saat memasang atau melepas kartrid baterai. Apabila pembersih dan kartrid baterai tidak dipegang dengan kuat, mesin dapat terlepas dari tangan Anda dan mengakibatkan kerusakan pada kartrid pembersih dan baterai serta menyebabkan cedera.

⚠️ PERHATIAN: Berhati-hatilah agar jari Anda tidak terjepit saat membuka atau menutup tutup baterai. Kelalaian dalam melakukannya dapat menyebabkan cedera pribadi.

Untuk memasang kartrid baterai, lepaskan kunci terlebih dahulu, lalu buka penutup baterai. Kemudian, masukkan kartrid baterai.

► **Gbr.6:** 1. Kunci 2. Kotak baterai

Sejajarkan lidah kartrid baterai dengan alur pada rumah dan masukkan ke dalam tempatnya. Masukkan seluruhnya sampai terkunci pada tempatnya dan mendengar bunyi klik kecil. Kemudian kunci tutup baterai.

► **Gbr.7:** 1. Kartrid baterai 2. Tombol

Untuk melepaskan kartrid baterai, geser kartrid dari peralatan sambil menggeser tombol di depan kartrid.

⚠️ PERHATIAN: Selalu pasang kartrid baterai dengan penuh. Jika tidak, kartrid baterai dapat terlepas dari peralatan secara tidak sengaja, menyebabkan cedera pada Anda atau orang di sekitar Anda.

⚠️ PERHATIAN: Jangan memasang kartrid baterai secara paksa. Jika kartrid tidak bergeser dengan mudah, berarti tidak dimasukkan dengan benar.

CATATAN: Pengisap tidak akan bekerja dengan hanya satu kartrid baterai.

Memasang kantong saringan

⚠️ PERHATIAN: Jangan menggunakan kantong saringan yang rusak. Selalu gunakan penyedot debu dengan kantong saringan yang sudah terpasang dengan benar. Bila tidak, debu atau benda-benda kecil yang terisap akan dibuang dari penyedot debu dan dapat menyebabkan gangguan pernapasan pada pengguna.

Pasang kantong saringan sebelum menggunakan pembersih debu.

Kantong saringan adalah tipe pakai-buang. Buang keseluruhan kantong saringan tanpa mengosongkannya saat sudah terisi penuh.

PEMBERITAHUAN: Saat kantong saringan telah penuh atau tersumbat, ganti dengan yang baru. Penggunaan jangka panjang dengan kantong saringan yang penuh atau tersumbat menyebabkan daya isap berkurang.

PEMBERITAHUAN: Untuk mencegah debu masuk ke dalam motor:


- Pastikan kantong saringan telah terpasang sebelum digunakan.
- Jangan menggunakan kantong yang rusak atau sobek.

Jika tidak, motor bisa rusak.

PEMBERITAHUAN: Jangan melipat papan pada bukaannya saat memasang kantong saringan.

PEMBERITAHUAN: Kantong saringan untuk pembersih debu adalah komponen penting untuk menjaga kinerja peralatan. Menggunakan kantong saringan yang bukan asli dapat menyebabkan asap atau percikan api.

CATATAN: Jika kantong saringan tidak terpasang di dalam peralatan, penutup kotak debu tidak akan tertutup sepenuhnya.

1. Buka tuas lalu buka penutup kotak debu.
▶ **Gbr.8:** 1. Tuas 2. Penutup kotak debu
2. Buka kantong saringan sepenuhnya.
▶ **Gbr.9**
3. Masukkan kantong saringan ke dalam celah pada penahan sehingga bagian bertanda  akan masuk terlebih dahulu.
4. Kaitkan kait pegangan.
▶ **Gbr.10:** 1. Slot 2. Kantong saringan 3. Penahan 4. Pengunci
5. Pastikan hanya tanda pada kardus yang dapat dilihat melalui celah penahan.
▶ **Gbr.11:** 1. Tanda 2. Celah
6. Buka kantong saringan jika masih terlipat.
▶ **Gbr.12**
7. Kunci penutup kotak debu dengan rapat.

⚠️ PERHATIAN: Berhati-hatilah agar jari Anda tidak terjepit saat mengaitkan kait dan menutup penutup kotak debu.

Melepas kantong saringan

⚠️ PERHATIAN: Pegang kantong saringan dengan lembut. Jika tidak, benda asing akan terlempar ke mata sehingga dapat menyebabkan cedera diri.

Ganti kantong saringan jika sudah penuh atau tersumbat.

Buka penutup kotak debu dan kaitnya, lalu keluarkan kantong saringan.

Tarik strip di sisi bukaan untuk menutup kantong saringan dan buang kantong saringan secara keseluruhan.

▶ **Gbr.13:** 1. Pengunci 2. Tali

PEMBERITAHUAN: Jangan gunakan kantong saringan bekas. Kantong saringan dirancang untuk sekali pakai. Menggunakan kantong saringan berulang kali dapat menyebabkan saringan tersumbat dan mengakibatkan kerusakan pada pembersih. Jika Anda ingin menggunakan kantong berulang kali, gunakan kantong debu.

DESKRIPSI FUNGSI

⚠️ PERHATIAN: Selalu pastikan bahwa peralatan dimatikan dan kartrid baterai dilepas sebelum menggunakan alat pemeriksaan fungsi peralatan.

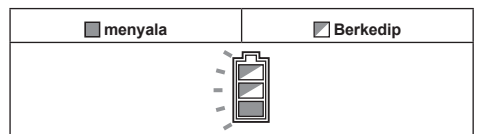
Sistem perlindungan mesin / baterai

Mesin ini dilengkapi dengan sistem perlindungan mesin/ baterai. Sistem ini memutuskan daya ke motor secara otomatis untuk memperpanjang umur pakai mesin dan baterai. Mesin akan berhenti secara otomatis saat dioperasikan jika mesin atau baterai mengalami salah satu dari kondisi-kondisi berikut ini:

Perlindungan kelebihan beban

Bila mesin dijalankan dengan cara yang menyebabkannya menarik arus tinggi yang tidak normal, mesin akan berhenti secara otomatis tanpa menunjukkan apa-apa. Untuk situasi ini, matikan mesin dan hentikan pekerjaan yang menyebabkan mesin mengalami kelebihan beban. Kemudian nyalakan mesin untuk memulai lagi pekerjaan.

Perlindungan panas berlebih



Bila mesin mengalami panas berlebih, mesin akan berhenti secara otomatis dan indikator baterai berkedip sekitar 60 detik. Untuk situasi ini, biarkan mesin menjadi dingin sebelum menyalakan mesin lagi.

Perlindungan pengisian daya berlebih

Ketika kapasitas baterai melemah, mesin akan berhenti secara otomatis. Jika produk tidak beroperasi bahkan ketika sakelar digunakan, lepaskan baterai dari mesin dan isi daya baterai.

Mengindikasikan kapasitas baterai yang tersisa

Hanya untuk kartrid baterai dengan indikator

► **Gbr.14:** 1. Lampu indikator 2. Tombol pemeriksaan

Tekan tombol pemeriksaan pada kartrid baterai untuk melihat kapasitas baterai yang tersisa. Lampu indikator menyala selama beberapa detik.

Lampu indikator			Kapasitas yang tersisa
Menyala	Mati	Berkedip	
■	□	◐	75% hingga 100%
■ ■ ■ ■			50% hingga 75%
■ ■	□ □		25% hingga 50%
■	□ □ □ □		0% hingga 25%
◐	□ □ □ □		Isi ulang baterai.
■ ■ □ □	↑ ↓	□ □ ■ ■	Baterai mungkin sudah rusak.

CATATAN: Tergantung kondisi penggunaan dan suhu lingkungannya, penunjukkan mungkin saja sedikit berbeda dari kapasitas sebenarnya.

CATATAN: Lampu indikator pertama (ujung kiri) akan berkedip ketika sistem perlindungan mesin bekerja.

Panel indikator

► **Gbr.15:** 1. Mode pengoperasian 2. Tingkat debu berlebih 3. Kesalahan rol sikat 4. Kapasitas baterai yang tersisa 5. Tombol pemeriksaan baterai/lampu LED

Mode pengoperasian

Untuk mengganti mode operasi, lihat bagian cara melakukan penggantian.

Tingkat debu berlebih

Jika indikator ini menyala, ganti kantong saringan. (Lihat bagian cara melepas kantong saringan.)

CATATAN: Indikator ini tidak akan berfungsi jika peralatan berada dalam mode "tingkat kebisingan rendah (1)".

CATATAN: Indikator ini dapat tidak berfungsi, bergantung pada lingkungan penggunaan.

CATATAN: Indikator akan mati secara otomatis kira-kira satu menit setelah peralatan dimatikan. Jika Anda membersihkan kantong saringan yang tersumbat dan menyalakan kembali peralatan, indikator akan mati dalam satu menit.

Kesalahan rol sikat




Berkedip	Rol sikat mengalami kelebihan beban karena beberapa alasan.
Menyala	Rol sikat berhenti karena adanya ketidaknormalan.

⚠ PERINGATAN: Segera matikan peralatan jika lampu ini menyala selama pengoperasian. Jika tidak, monitor dapat mengalami malafungsi dan menyebabkan kebakaran.

Kapasitas baterai yang tersisa

Selama pengoperasian, tekan tombol pemeriksaan baterai/lampu LED untuk menunjukkan kapasitas baterai yang tersisa. Indikator baterai berhubungan dengan setiap baterai.

► **Gbr.16**

Status indikator baterai			Kapasitas baterai yang tersisa
Menyala	Mati	Berkedip	
■	□	◐	50% hingga 100%
			20% hingga 50%
			0% hingga 20%
			Isi ulang baterai

Tombol pemeriksaan baterai/ lampu LED

Selama pengoperasian, operasi berikut dapat dilakukan.

- Cukup tekan tombol untuk memeriksa kapasitas baterai yang tersisa.
- Tekan dan tahan tombol untuk menghidupkan/mematikan lampu LED.

Kerja sakelar

► **Gbr.17:** 1. Tombol ON/pengubah mode 2. Tombol OFF (Mati)

Menghidupkan / mematikan peralatan

Untuk memulai peralatan, cukup tekan tombol ON/pengubah mode. Untuk mematikan, tekan tombol OFF.

⚠PERHATIAN: Selalu letakkan kepala peralatan di atas lantai saat menyalakan peralatan. Jika tidak, kecelakaan karena tersangkut dapat terjadi dan menyebabkan cedera diri.

Mengubah mode pengoperasian

Anda dapat mengubah pengoperasian dalam tiga tahap: "level bising rendah (1)", "normal (2)", dan "tinggi (3)".

Jika Anda ingin mengubah mode pengoperasian, tekan tombol ON/pengubah mode ketika peralatan sedang bekerja. Mode pengoperasian akan beralih dengan urutan "level bising rendah (1)", "normal (2)", dan "tinggi (3)".

Peralatan akan dimulai dengan mode yang sama seperti pengaturan sebelumnya.

Menyalakan lampu LED

⚠PERHATIAN: Jangan melihat lampu atau sumber cahaya secara langsung.

Peralatan ini dilengkapi dengan lampu LED. Lihat paragraf tentang tombol pemeriksaan baterai/lampu LED untuk pengoperasian.

► **Gbr.18:** 1. Lampu LED

Tuas kaki

⚠PERHATIAN: Selalu kunci peralatan dalam posisi tegak lurus saat Anda melepaskan pegangan. Jika tidak, peralatan dapat tidak sengaja jatuh dan menyebabkan cedera.

⚠PERHATIAN: Berhati-hatilah agar jari Anda tidak terjepit di antara badan mesin dan kepala peralatan.

Untuk membuka peralatan yang dikunci dalam posisi tegak lurus, injak tuas kaki dan tarik pegangannya ke belakang.

Jangkauan gerakan dari posisi tegak lurus ialah 90 derajat.

► **Gbr.19:** 1. Tuas kaki

Untuk mengunci peralatan dalam posisi tegak lurus, angkat pegangan ke depan hingga tuas kaki mengunci posisi itu dan terdengar bunyi klik.

► **Gbr.20**

CATATAN: Saat peralatan berada dalam posisi tegak lurus, rol sikat akan berhenti berputar.

Menyetel tinggi rol sikat

⚠PERHATIAN: Selalu pastikan bahwa tuas penyetel sudah berada dalam posisi yang tepat sebelum mulai mengoperasikan.

Tinggi rol sikat dapat disesuaikan dalam 4 tahap.

Putar tuas penyetel ke ketinggian yang Anda inginkan. Jika tuas penyetel menunjuk tanda A, rol sikat berada di titik terendah di atas lantai dan cocok untuk membersihkan lantai yang keras dan karpet bulu pendek. Jika tuas penyetel menunjuk tanda B, rol sikat berada di titik tertinggi di atas lantai dan cocok untuk membersihkan karpet bulu panjang.

► **Gbr.21:** 1. Tuas penyetel

CATATAN: Rol sikat mungkin tidak berputar jika jarak ketinggian rol sikat dengan permukaan karpet terlalu rendah.

Pegangan jinjing

Saat membawa peralatan, dorong peralatan menggunakan roda caster atau dibawa dengan memegang bagian pegangannya.

► **Gbr.22**

⚠PERHATIAN: Saat membawa peralatan, kunci peralatan dalam posisi tegak lurus. Jika tidak, dapat terjadi kecelakaan jatuh.

⚠PERHATIAN: Jangan membawa peralatan selain dengan memegang bagian pegangannya. Jika tidak, kecelakaan jatuh dapat terjadi atau peralatan yang tidak sengaja nyala dapat menyebabkan cedera.

► **Gbr.23**

PENGUNAAN

⚠PERHATIAN: Jangan menarik batang pegangan dari mesin selama pengoperasian. Tindakan tersebut dapat membuat peralatan kehilangan kendali dan menyebabkan cedera serius.

⚠PERHATIAN: Jangan meletakkan tangan atau kaki Anda di bawah peralatan selama pengoperasian. Jika tidak, dapat terjadi kecelakaan terjepit.

Operasi pembersihan normal

1. Pegang bagian pegangan, lalu buka penguncian posisi tegak lurus.
 2. Nyalakan peralatan. Bersihkan lantai.
- **Gbr.24**

Menggunakan sikat samping

Sikat samping cocok digunakan untuk membersihkan bagian ujung dinding.
Jika sikat samping menjadi pendek, bawa peralatan ke pusat layanan Makita untuk melakukan penggantian sikat

► **Gbr.25:** 1. Sikat samping

Pengoperasian dengan aksesoris

⚠PERHATIAN: Tetap pegang bagian pegangan selama menggunakan aksesoris. Jika tidak, peralatan dapat tidak sengaja jatuh dan menyebabkan cedera.

PEMBERITAHUAN: Saat menggunakan aksesoris, kunci peralatan dalam posisi tegak lurus. Jika tidak, rol sikat yang berputar dapat merusak lantai.

Menggunakan pipa aluminium

Pipa aluminium cocok digunakan untuk membersihkan bagian yang sempit atau tempat yang tinggi.

► **Gbr.26:** 1. Pipa aluminium

Menggunakan selang

Selang cocok digunakan untuk membersihkan bagian yang ada dalam jangkauan tangan Anda.

► **Gbr.27:** 1. Selang

Untuk menggunakan selang, cabut pipa aluminium dari selang sambil mendorong tuas.
Untuk memasang selang, masukkan selang ke dalam pipa aluminium hingga terdengar bunyi klik.

► **Gbr.28:** 1. Tuas

Menggunakan perangkat tambahan

► **Gbr.29**

Untuk memasang perangkat tambahan, putar dan masukkan perangkat itu ke pipa aluminium atau selang. Untuk melepaskan, putar dan lepaskan.

PERAWATAN

⚠PERHATIAN: Selalu pastikan bahwa peralatan sudah dimatikan dan kartrid baterai dilepas sebelum berupaya untuk melakukan pemeriksaan atau perawatan.

PEMBERITAHUAN: Jangan sekali-kali menggunakan bensin, tiner, alkohol, atau bahan sejenisnya. Penggunaan bahan demikian dapat menyebabkan perubahan warna, perubahan bentuk atau timbulnya retakan.

Untuk menjaga KEAMANAN dan KEANDALAN mesin, perbaikan, perawatan atau penyetelan lainnya harus dilakukan oleh Pusat Layanan Resmi atau Pabrik Makita; selalu gunakan suku cadang pengganti buatan Makita.

Penyimpanan

Saat menyimpan, keluarkan kartrid baterai dan simpan peralatan di tempat yang rata dalam posisi tegak lurus.

► **Gbr.30**

Membersihkan badan peralatan

Bersihkan bagian luar (badan pembersih) mesin dari waktu ke waktu dengan menggunakan kain yang dicelup air sabun.

► **Gbr.31**

Membersihkan saringan HEPA

⚠PERHATIAN: Jangan menggunakan pembersih debu tanpa saringan atau menggunakan filter yang sudah kotor atau rusak. Debu atau partikel yang terisap dapat keluar dari pembersih debu dan menyebabkan penyakit pernapasan pada pengguna.

PEMBERITAHUAN: Untuk menjaga daya isap serta pemuangan debu tetap optimum, bersihkan saringan secara teratur. Jika daya isap yang cukup tidak didapatkan bahkan setelah dibersihkan, maka ganti saringan dengan yang baru.

PEMBERITAHUAN: Untuk menghindari kerusakan saringan, jangan gunakan alat berikut dan item serupa untuk membersihkan:

- Pembersih udara
- Cincin penutup tekanan tinggi
- Alat dari bahan keras seperti sikat logam

1. Buka penutup kotak debu lalu keluarkan kantong saringan.

Lepaskan kait pada saringan lalu keluarkan dari badan pengisap debu.

► **Gbr.32:** 1. Kait

2. Hentakkan debu dari saringan. Saringan dapat dicuci menggunakan air. Bilas debu dan benda-benda kecil pada saringan tiap 1 atau 2 bulan. Setelah itu, keringkan saringan di dalam tempat teduh dan memiliki ventilasi baik untuk menghindari bau busuk atau kerusakan.

3. Untuk memasang saringan, masukkan sisi tanpa kait ke alur kemudian tekan saringan hingga kait terpasang dan terdengar bunyi klik.

► **Gbr.33:** 1. Alur 2. Saringan HEPA 3. Kait

Membersihkan rol sikat

1. Lepaskan pelat bawah, dan kemudian lepaskan rol sikat.

Jika bulu rol sikat menjadi pendek, hubungi pusat layanan Makita untuk mendapatkan rol sikat baru.

Menggunakan peralatan dengan bulu rol sikat yang pendek akan mengakibatkan proses pengumpulan debu menjadi tidak maksimal.

► **Gbr.34:** 1. Pelat bawah 2. Rol sikat

2. Singkirkan benang dan bulu dari sikat menggunakan gunting.

Lepaskan tutup dan bersihkan serpihan.

► **Gbr.35:** 1. Tutup

3. Pasang tutup, rol sikat, dan pelat bawah dalam urutan terbalik.

► **Gbr.36**

⚠PERHATIAN: Pasang pelat bawah dengan sempurna. Jika peralatan dioperasikan tanpa pelat bawah, rol sikat dapat terlepas dan menyebabkan cedera.

PEMBERITAHUAN: Selalu pasang rol sikat. Menggunakan peralatan tanpa rol sikat akan mengakibatkan proses pengumpulan debu menjadi tidak maksimal.

Cara membersihkan sumbat

PEMBERITAHUAN: Jangan mengoperasikan peralatan jika jalur aliran masuk tersumbat. Penggunaan jangka panjang peralatan dalam keadaan jalur aliran masuk tersumbat akan menyebabkan daya isap berkurang.

1. Lepaskan pelat bawah, dan kemudian lepaskan rol sikat.
2. Lepaskan pipa aluminium dari peralatan dan juga selang.
3. Putar selang berlawanan arah jarum jam, lalu lepaskan selang dari peralatan.
4. Lepaskan selang pengisap dengan menarik tab.
► **Gbr.37:** 1. Selang pengisap 2. Tab

5. Periksa jalur aliran masuk udara untuk bagian dalam pipa aluminium dan selang, dan juga selang pengisap.

Bersihkan serpihan yang ada di dalamnya.

6. Sejajarkan lidah selang pengisap dengan alur pada rumah dan masukkan ke dalam tempatnya.

► **Gbr.38:** 1. Lidah 2. Alur

7. Pasang selang, pipa aluminium, rol sikat, dan pelat bawah.

⚠PERHATIAN: Pasang selang dan pipa dengan kuat. Jika tidak, dapat terjadi kebocoran debu dan menyebabkan cedera.

PEMECAHAN MASALAH

Sebelum meminta perbaikan, lakukan pemeriksaan mandiri terlebih dahulu. Jika Anda menemukan masalah yang tidak dijelaskan dalam buku petunjuk ini, jangan coba membongkar rakitan mesin. Hubungi Pusat Servis Resmi Makita, dan selalu gunakan suku cadang pengganti Makita untuk perbaikan.

Gejala	Kemungkinan penyebab	Perbaikan
Tidak bekerja	Kartrid baterai tidak dipasang dengan benar.	Pasang kartrid baterai seperti yang dijelaskan dalam buku petunjuk ini.
	Kartrid baterai sudah habis.	Isi ulang kartrid baterai.
	Pegangan tidak dipasang dengan benar.	Pasang pegangan dengan kuat seperti yang dijelaskan dalam buku petunjuk ini.
Rol sikat tidak mau berputar	Peralatan terkunci dalam posisi tegak lurus.	Buka kunci posisi tegak lurus peralatan.
	Indikator kesalahan rol sikat menyala.	Periksa bahwa tidak ada belitan di sekitar rol sikat (badan, tutup, dan sambungan).
Daya pengisapan lemah	Indikator tingkat debu berlebihan menyala.	Ganti kantong saringan. Jika kantong saringan tidak penuh, buka kantong saringan tersebut dan guncang-guncangkan agar kantong saringan tidak lagi tersumbat.
	⇒Jika mengganti kantong saringan masih belum dapat mengatasi masalah tersebut...	Bersihkan atau ganti saringan HEPA. Pastikan tidak ada serpihan yang menyumbat selang dan pipa.
	Serpihan tersangkut di rol sikat dan menyebabkan penurunan kecepatan putaran.	Periksa bahwa tidak ada belitan di sekitar rol sikat (badan, tutup, sambungan).
	Jarak antara rol sikat dan lantai terlalu tinggi.	Turunkan tinggi rol sikat.
	Bulu rol sikat telah memendek.	Ganti rol sikat. Turunkan tinggi rol sikat.
	Peralatan beroperasi dalam mode rendah.	Ubah ke mode operasi tinggi.
	Rol sikat tidak dipasang.	Pasang rol sikat.
	Pipa atau selang tidak dipasang dengan benar.	Pasang pipa atau selang dengan kuat.
	Suara bising yang keras saat dioperasikan	Peralatan beroperasi dalam mode tinggi.
Serpihan tersangkut di rol sikat.		Periksa bahwa tidak ada belitan di sekitar rol sikat (badan, tutup, dan sambungan).
Debu masuk ke dalam kantong saringan.		Ganti kantong saringan.
⇒Jika mengganti kantong saringan masih belum dapat mengatasi masalah tersebut...		Bersihkan atau ganti saringan HEPA. Pastikan tidak ada serpihan yang menyumbat selang dan pipa.
Indikator tingkat debu berlebihan akan berkedip setelah digunakan sedikit	Kantong saringan terlipat.	Buka lipatan pada jalan masuk kantong filter sebelum mengaturnya.
Lampu LED tidak menyala	Pengaturan lampu LED mati.	Selama pengoperasian, tekan dan tahan tombol pemeriksaan baterai/lampu LED untuk menyalakan lampu LED.
Roda caster sulit bergerak	Serpihan tersangkut di roda caster.	Bersihkan serpihan pada roda caster.

AKSESORI PILIHAN

⚠️ PERHATIAN: Dianjurkan untuk menggunakan aksesori atau perangkat tambahan ini dengan mesin Makita Anda yang ditentukan dalam petunjuk ini. Penggunaan aksesori atau perangkat tambahan lain bisa menyebabkan risiko cedera pada manusia. Hanya gunakan aksesori atau perangkat tambahan sesuai dengan peruntukannya.

Jika Anda memerlukan bantuan lebih rinci berkenaan dengan aksesori ini, tanyakan pada Pusat Layanan Makita terdekat.

- Nosel sudut
- Sikat bundar
- Saringan HEPA
- Kantong saringan
- Baterai dan pengisi daya asli buatan Makita

CATATAN: Beberapa item dalam daftar tersebut mungkin sudah termasuk dalam paket mesin sebagai aksesori standar. Hal tersebut dapat berbeda dari satu negara ke negara lainnya.

AMARAN

- Mesin ini tidak bertujuan untuk digunakan oleh individu termasuk kanak-kanak dengan kekurangan daya fizikal, deria atau mental, atau kekurangan pengetahuan dan pengalaman.
- Kanak-kanak harus diselia untuk memastikan mereka tidak bermain dengan pembersih ini.
- Lihat bab "SPESIFIKASI" untuk rujukan jenis bateri.
- Lihat bahagian "Memasang atau mengeluarkan kartrij bateri" untuk cara mengeluarkan atau memasang bateri.
- Apabila melupuskan kartrij bateri, keluarkan ia daripada alat dan lupuskan ia di tempat selamat. Ikut peraturan tempatan anda mengenai pelupusan bateri.
- Jika alat tidak digunakan untuk tempoh masa yang lama, bateri mesti dikeluarkan daripada alat.
- Jangan pintaskan kartrij bateri.
- Lihat bab "PENYELENGGARAAN" untuk mendapatkan butiran langkah berjaga-jaga yang sesuai semasa penyelenggaraan pengguna.

SPESIFIKASI

Model:	DVC560
Isi padu udara maksimum*	1.9 m ³ /min
Hampagas*	12 kPa
Kapasiti	5 L
Dimensi (P x L x T)	326 mm x 318 mm x 1,146 mm
Voltan terkadar	D.C. 36 V
Berat bersih	8.3 - 9.0 kg

- * Nilai ini diukur menggunakan kaedah asal kami.
- Disebabkan program penyelidikan dan pembangunan kami yang berterusan, spesifikasi yang terkandung di dalam ini adalah tertakluk kepada perubahan tanpa notis.
- Spesifikasi dan kartrij bateri mungkin berbeza mengikut negara.
- Berat termasuk aksesori (berus bulat, muncung penjuru) dan kartrij bateri. Berat kombinasi paling ringan dan paling berat peralatan dan kartrij bateri ditunjukkan di dalam jadual.

Kartrij bateri dan pengecas yang boleh digunakan

Kartrij bateri	BL1815N / BL1820B / BL1830B / BL1840B / BL1850B / BL1860B
Pengecas	DC18RC / DC18RD / DC18RE / DC18SD / DC18SE / DC18SF / DC18SH

- Sesetengah kartrij bateri dan pengecas yang disenaraikan di atas mungkin tidak tersedia bergantung pada kawasan kediaman anda.

⚠️ AMARAN: Hanya menggunakan kartrij bateri dan pengecas yang disenaraikan di atas. Penggunaan mana-mana kartrij bateri dan pengecas lain boleh menyebabkan kecederaan dan/atau kebakaran.

Simbol

Berikut menunjukkan simbol-simbol yang boleh digunakan untuk alat ini. Pastikan anda memahami maksudnya sebelum menggunakan.



Baca manual arahan.



Sila gunakan dengan berhati-hati dan penuh perhatian.



Ni-MH
Li-ion

Hanya untuk negara-negara EU
Disebabkan kehadiran komponen berbahaya dalam peralatan, sisa peralatan elektrik dan elektronik, akumulator dan bateri boleh memberi kesan negatif terhadap persekitaran dan kesihatan manusia.

Jangan buang alat elektrik dan elektronik atau bateri bersama dengan bahan buangan isi rumah!
Mengikuti Arahan Eropah mengenai sisa peralatan elektrik dan elektronik dan mengenai akumulator dan bateri dan sisa akumulator dan bateri serta penyesuaian dengan undang-undang negara, sisa peralatan elektrik, bateri dan akumulator hendaklah disimpan secara berasingan dan dihantar ke tempat pengumpulan berasingan untuk sisa perbandaran, beroperasi mengikut peraturan perlindungan persekitaran.
Ini ditunjukkan oleh simbol tong sampah beroda yang bersilang pada peralatan.

4. Jangan cuba untuk menyedut bahan mudah terbakar, bunga api, puntung rokok yang menyala, abu panas, serpihan logam panas, bahan tajam seperti pisau cukur, jarum, gelas yang pecah atau yang sama sepeertinya.
5. **JANGAN SEKALI-KALI GUNAKAN PEMBERSIH DI SEKITAR GASOLIN, GAS, CAT, PEREKAT ATAU LAIN-LAIN BAHAN YANG SANGAT MUDAH MELETUP.** Suis menghasilkan percikan semasa ON dan OFF. Penukar tertib motor juga begitu semasa operasi. Letupan yang berbahaya mungkin berlaku.
6. Pembersih ini tidak sesuai untuk menangkap habuk berbahaya.
7. Jangan sekali-kali menyedut bahan toksik, karsinogenik, bahan mudah terbakar atau berbahaya yang lain seperti asbestos, arsenik, barium, berilium, plumbum, racun serangga, atau bahan lain yang memudaratkan kesihatan.
8. Jangan gunakan di luar atau di atas permukaan basah.
9. Untuk Finland, mesin ini tidak boleh digunakan di luar pada suhu rendah.
10. Jangan gunakan alat berhampiran dengan sumber haba (dapur dan sebagainya).
11. Jangan halang sedutan salur masuk/ salur keluar/lohong penyejukan. Injap ini membenarkan penyejukan motor. Halangan harus dielakkan dengan berhati-hati jika tidak motor akan terbakar disebabkan kekurangan pengudaraan.
12. Jangan lipat, tarik atau pijak hos.
13. Hentikan pembersih serta-merta jika anda mengesan prestasi yang lemah atau sesuatu yang tidak normal semasa operasi.
14. **KELUARKAN BATERI.** Apabila tidak digunakan, sebelum melakukan servis, dan semasa menukar aksesori.
15. Bersihkan dan servis pembersih serta-merta selepas setiap penggunaan untuk memastikan ia dalam keadaan operasi yang optimum.
16. **SELENGGARA PEMBERSIH DENGAN BERHATI-HATI.** Pastikan pembersih sentiasa bersih untuk prestasi yang lebih baik dan selamat. Ikuti arahan untuk menukar aksesori. Pastikan pemegang sentiasa kering, bersih dan bebas daripada minyak dan gris.

Tujuan penggunaan

Alat ini bertujuan untuk mengumpul debu kering. Alat ini sesuai untuk kegunaan komersial, sebagai contoh di hotel, sekolah, hospital, kilang, kedai, pejabat dan perniagaan sewaan.

AMARAN KESELAMATAN

Amaran keselamatan pembersih hampagas tanpa wayar

AMARAN: PENTING! BACA DENGAN TELITI semua amaran keselamatan dan semua arahan SEBELUM GUNA. Kegagalan mematuhi amaran dan arahan boleh menyebabkan kejutan elektrik, kebakaran dan/atau kecederaan serius.

1. **Sebelum digunakan, pastikan yang pembersih ini mestilah digunakan oleh individu yang telah diberi arahan yang secukupnya tentang kegunaan pembersih ini.**
2. **Jangan gunakan tanpa memasang beg penapis dan/atau penapis. Gantikan penapis yang rosak dengan serta-merta.**
3. **ELAKKAN PERMULAAN YANG TIDAK DISENGAJAKAN.** Pastikan suis OFF apabila memasang bateri.

17. **PERIKSA BAHAGIAN YANG ROSAK.** Sebelum menggunakan alat dengan lebih lanjut, pengadang atau bahagian lain yang rosak harus diperiksa dengan berhati-hati untuk menentukan yang ia akan beroperasi dengan betul dan berfungsi seperti yang dinyatakan. Periksa penjarangan bahagian yang bergerak, keterikatan bahagian yang bergerak, bahagian yang pecah, lekapan dan sebarang keadaan lain yang boleh menjejaskan operasinya. Pengadang atau bahagian lain yang rosak harus dibaiki dengan betul atau diganti oleh pusat servis sah melainkan sebaliknya dinyatakan di tempat lain dalam manual arahan ini. Gantikan suis yang rosak di pusat servis yang disahkan. Jangan gunakan pembersih jika suis tidak menghidupkan atau mematikkannya.
18. **ALAT GANTIAN.** Semasa menservis, gunakan hanya alat gantian yang serupa.
19. Apabila tidak digunakan, sentiasa simpan pembersih di dalam bangunan.
20. Jaga pembersih anda dengan baik. Pengendalian yang kasar boleh menyebabkan retakan walaupun pada pembersih yang dibina dengan sangat kukuh.
21. Jangan cuba untuk membersihkan bahagian luaran atau dalaman dengan benzin, pencair atau bahan pencuci kimia. Retakan dan perubahan warna boleh berlaku.
22. Jangan gunakan pembersih di ruang tertutup tempat wap mudah terbakar, meletup dan toksik dibebaskan oleh cat berasaskan minyak, pencair cat, gasolin, dan sesetengah bahan tahan rama-rama dan sebagainya atau di kawasan wujudnya debu mudah terbakar.
23. Jangan mengendalikan pembersih atau sebarang alat semasa di bawah pengaruh dadah atau alkohol.
24. Pakai peralatan perlindungan yang sesuai seperti topeng bergantung kepada persekitaran penggunaan.
25. Mesin ini tidak bertujuan untuk digunakan oleh individu termasuk kanak-kanak dengan kekurangan daya fizikal, deria atau mental, atau kekurangan pengetahuan dan pengalaman.
26. Kanak-kanak harus diselia untuk memastikan mereka tidak bermain dengan pembersih ini.
27. Jangan sekali-kali memegang bateri dan pembersih dengan tangan yang basah.
28. Gunakan langkah yang lebih berhati-hati semasa membersihkan tangga.
29. Jaga pijakan dan keseimbangan yang betul pada setiap masa.
30. Jangan gunakan pembersih sebagai bangku atau bangku kerja. Mesin mungkin terjatuh dan boleh mengakibatkan kecederaan diri.
31. Jauhkan semua anggota badan dan pakaian anda dari bukaan dan bahagian yang bergerak seperti pengguling berus berputar. Jika tidak, ia mungkin tersangkut pada pengguling berus dan menyebabkan kecederaan.

Penggunaan dan penjagaan alat bateri

1. **Cas semula dengan pengecas yang ditentukan oleh pengeluar sahaja.** Pengecas yang sesuai untuk satu jenis pek bateri mungkin menimbulkan risiko kebakaran apabila digunakan dengan pek bateri lain.
2. **Gunakan alat kuasa dengan pek bateri yang ditentukan secara khusus sahaja.** Penggunaan mana-mana pek bateri lain mungkin menimbulkan risiko kecederaan dan kebakaran.
3. **Apabila pek bateri tidak digunakan, jauhkannya daripada objek logam lain, seperti klip kertas, duit syiling, kunci, paku, skru atau objek logam kecil lain, yang boleh membuat sambungan dari satu terminal ke terminal yang lain.** Memintas terminal bateri bersama-sama mungkin menyebabkan lecuran atau kebakaran.
4. **Di bawah keadaan kasar, cecair mungkin dikeluarkan daripada bateri; elakkan sentuhan. Jika tersentuh secara tidak sengaja, siram dengan air. Jika cecair terkena mata, dapatkan bantuan perubatan di samping siraman air.** Cecair yang dikeluarkan dari bateri mungkin menyebabkan kegatalan atau lecuran.
5. **Jangan gunakan pek bateri atau alat yang rosak atau diubah suai.** Bateri yang rosak atau diubah suai mungkin menunjukkan perilaku yang tidak dijangka menyebabkan kebakaran, letupan atau risiko kecederaan.
6. **Jangan dedahkan pek bateri atau alat kepada api atau suhu yang berlebihan.** Pendedahan kepada api atau suhu melebihi 130 °C mungkin menyebabkan letupan.
7. **Ikut semua arahan pengecasan dan jangan cas pek bateri atau alat di luar julat suhu yang ditetapkan dalam arahan.** Pengecas dengan tidak betul atau pada suhu di luar julat yang dinyatakan mungkin merosakkan bateri dan meningkatkan risiko kebakaran.

SIMPAN ARAHAN INI.

⚠️AMARAN: JANGAN biarkan keselesaan atau kebiasaan dengan produk (diperoleh dari kegunaan berulang) menggantikan pematuhan ketat terhadap peraturan keselamatan untuk produk yang ditetapkan. SALAH GUNA atau kegagalan mematuhi peraturan-peraturan keselamatan yang dinyatakan dalam manual arahan ini boleh menyebabkan kecederaan diri yang serius.

Arahan keselamatan penting untuk kartrij bateri

1. **Sebelum menggunakan kartrij bateri, baca semua arahan dan tanda amaran pada (1) pengecas bateri, (2) bateri, dan (3) produk menggunakan bateri.**
2. **Jangan buka atau cabut kartrij bateri.** Ia boleh mengakibatkan kebakaran, haba berlebihan, atau letupan.

3. Jika masa operasi menjadi sangat pendek, berhenti operasi serta merta. Ia mungkin menyebabkan risiko pemanasan lampau, melecur bahkan letupan.
4. Jika elektrolit masuk ke dalam mata anda, bilas mata dengan air jernih dan dapatkan rawatan perubatan serta merta. Ia mungkin menyebabkan kehilangan penglihatan.
5. Jangan pintaskan kartrij bateri:
 - (1) Jangan sentuh terminal dengan bahan berkonduksi.
 - (2) Elakkan menyimpan kartrij bateri dalam bekas bersama-sama objek besi lain seperti paku, duit syiling, dll.
 - (3) Jangan dedahkan kartrij bateri kepada air atau hujan.

Pintasan bateri boleh menyebabkan aliran kuasa yang besar, pemanasan lampau, melecur dan juga kerosakan.

6. Jangan simpan dan gunakan alat dan kartrij bateri di lokasi yang suhunya mungkin mencapai atau melebihi 50 °C (122 °F).
7. Jangan bakar kartrij bateri walaupun jika ia rosak teruk atau haus sepenuhnya. Kartrij bateri boleh meletup dalam kebakaran.
8. Jangan paku, potong, pecahkan, buang, jatuhkan kartrij bateri, atau tekan objek keras pada kartrij bateri. Perbuatan sedemikian boleh mengakibatkan kebakaran, haba berlebihan, atau letupan.
9. Jangan gunakan bateri yang rosak.
10. **Bateri litium ion yang terkandung adalah tertakluk kepada keperluan Perundangan Barangan Berbahaya.**
Bagi pengangkutan komersial cth. oleh pihak ketiga, ejen penghantar, keperluan khas pada pembungkusan dan pelabelan mestilah diperhatikan.
Bagi persediaan item yang dihantar, berunding dengan pakar bahan berbahaya adalah diperlukan. Sila juga perhatikan sebolehnya peraturan kebangsaan yang lebih terperinci. Lekatkan atau balut bahagian terbuka dan pek bateri supaya ia tidak bergerak dalam pembungkusan.
11. Apabila melupuskan kartrij bateri, keluarkan ia daripada alat dan lupuskan ia di tempat selamat. Ikut peraturan tempatan anda mengenai pelupusan bateri.
12. Gunakan bateri hanya dengan produk yang ditentukan oleh Makita. Memasang bateri kepada produk yang tidak patuh mungkin menyebabkan kebakaran, pemanasan lampau, atau kebocoran elektrolit.
13. Jika alat tidak digunakan untuk tempoh masa yang lama, bateri mesti dikeluarkan daripada alat.
14. Semasa dan selepas penggunaan, kartrij bateri mungkin ada haba yang boleh menyebabkan terbakar atau suhu rendah terbakar. Beri perhatian kepada pengendalian kartrij bateri yang panas.
15. Jangan sentuh terminal alat itu selepas digunakan kerana ia mungkin panas menyebabkan terbakar.

16. Jangan biarkan cip, habuk, atau tanah terperangkap ke dalam terminal, lubang, dan alur kartrij bateri. Ia mungkin menyebabkan prestasi atau pecahan yang buruk dari alat atau kartrij bateri.
17. Melainkan alat ini menyokong penggunaan yang hampir dari talian kuasa elektrik voltan tinggi, jangan gunakan kartrij bateri berhampiran talian kuasa elektrik voltan tinggi. Ia mungkin menyebabkan kerosakan atau pecah pada alat atau kartrij bateri.
18. Jauhkan bateri daripada kanak-kanak.

SIMPAN ARAHAN INI.

⚠PERHATIAN: Hanya gunakan bateri asli Makita. Penggunaan bateri tidak asli Makita, atau bateri yang telah diubah suai, mungkin menyebabkan bateri meletup menyebabkan kebakaran, kecederaan diri dan kerosakan. Ia juga membatalkan jaminan Makita untuk alat Makita dan pengecas.

Tip untuk mengekalkan hayat bateri maksimum

1. Cas kartrij bateri sebelum ternyahcas sepenuhnya. Sentiasa hentikan operasi alat dan cas kartrij bateri apabila anda menyedari kurang kuasa alat.
2. Jangan cas semula kartrij bateri yang dicas sepenuhnya. Terlebih cas memendekkan hayat servis bateri.
3. Cas kartrij bateri dengan suhu bilik pada 10 °C - 40 °C (50 °F - 104 °F). Biarkan kartrij bateri yang panas menyejuk sebelum mengecasnya.
4. Apabila tidak menggunakan kartrij bateri, tanggalkannya dari alat atau pengecas.
5. Cas kartrij bateri jika anda tidak menggunakannya untuk tempoh yang lama (lebih daripada enam bulan).

KETERANGAN BAHAGIAN

► Rajah1

1	Pemegang	2	Plat suis	3	Pemegang paip	4	Hos
5	Panel penunjuk	6	Tuili (untuk penutup kotak habuk)	7	Penutup kotak habuk	8	Pemegang pembawa
9	Kunci (untuk penutup bateri)	10	Tuili pelaras	11	Penutup bateri	12	Muncung penjuru
13	Berus bulat	14	Tuili kaki	15	Roda lereng-lereng	16	Berus sisi
17	Hos sedutan	18	Sendi	19	Paip aluminium	20	Pemegang paip
21	Lampu LED	22	Penggerak berus	23	Plat bawah	24	Butang ON / penukar mod
25	Butang OFF	26	Penunjuk mod operasi	27	Penunjuk tahap debu berlebihan	28	Penunjuk ralat penggerak berus
29	Penunjuk kapasiti bateri yang tinggal	30	Butang semak bateri / lampu LED	-	-	-	-

PEMASANGAN

⚠️ PERHATIAN: Sentiasa pastikan peralatan dimatikan dan kartrij bateri dikeluarkan sebelum menjalankan sebarang kerja pada peralatan.

⚠️ PERHATIAN: Sentiasa pakai topeng debu semasa pemasangan atau penyelenggaraan.

Menyambungkan pemegang

- Masukkan pancang pemegang sepenuhnya ke dalam badan pembersih seperti yang ditunjukkan dalam rajah.
 - Tutup selak kunci.
- **Rajah2:** 1. Pancang pemegang 2. Penanda merah 3. Selak kunci

NOTIS: Masukkan pancang sepenuhnya sehingga penanda merah tidak kelihatan.

Menyambungkan hos

Masukkan hos ke dalam port pelekap alat dan pusingkan hos sehingga ia terkunci.

► **Rajah3**

Menyambungkan paip

Masukkan hujung paip aluminium pada sambungan dan kemudian pasang paip aluminium pada pemegang paip.

► **Rajah4:** 1. Sendi 2. Pemegang paip

NOTIS: Masukkan paip aluminium mengikut arah yang betul seperti yang ditunjukkan dalam rajah. Jika tidak pemegang paip tidak akan dikunci dan paip aluminium mungkin tertanggal.

► **Rajah5**

Memasang atau mengeluarkan kartrij bateri

⚠️ PERHATIAN: Sentiasa matikan alat sebelum memasang atau menanggalkan kartrij bateri.

⚠️ PERHATIAN: Pegang pembersih dan kartrij bateri dengan kukuh apabila memasang atau mengeluarkan kartrij bateri. Kegagalan untuk memegang pembersih dan kartrij bateri dengan kukuh boleh menyebabkan ia terlepas daripada tangan anda dan mengakibatkan kerosakan kepada pembersih dan kartrij bateri serta kecederaan diri.

⚠️ PERHATIAN: Berhati-hati supaya tidak terkepit jari anda semasa membuka atau menutup penutup bateri. Gagal berbuat demikian boleh menyebabkan kecederaan peribadi.

Untuk memasang kartrij bateri, lepaskan kunci dahulu, dan kemudian buka penutup bateri. Kemudian, masukkan kartrij bateri.

► **Rajah6:** 1. Kunci 2. Penutup bateri

Sejajarkan lidah pada kartrij bateri dengan alur pada perumahan dan selitkan ia ke tempatnya. Masukkan ia sepenuhnya sehingga ia terkunci di tempatnya dengan klik kecil. Kemudian, kunci penutup bateri.

► **Rajah7:** 1. Kartrij bateri 2. Butang

Untuk menanggalkan kartrij bateri, luruskannya daripada alat semasa meluncurkan butang di hadapan kartrij.

⚠️ PERHATIAN: Sentiasa pasang kartrij bateri sepenuhnya. Jika tidak, ia mungkin terjatuh dari peralatan, menyebabkan kecederaan kepada anda atau seseorang di sekeliling anda.

⚠️ PERHATIAN: Jangan pasang kartrij bateri secara paksa. Jika kartrij tidak meluncur dengan mudah, ia tidak dimasukkan dengan betul.

NOTA: Pembersih tidak berfungsi dengan hanya satu kartrij bateri.

Memasang beg penapis

⚠PERHATIAN: Jangan gunakan beg penapis yang rosak. Sentiasa gunakan pembersih hampagas dengan beg penapis yang dipasang dengan betul. Jika tidak debu atau zarah yang telah disedut mungkin dilepaskan daripada pembersih dan ia mungkin menyebabkan penyakit pernafasan kepada pengendali.

Pasangkan beg penapis sebelum menggunakan pembersih.

Beg penapis adalah jenis pakai buang. Buang keseluruhan beg penapis tanpa mengosongkannya apabila sudah penuh.

NOTIS: Apabila beg penapis sudah penuh atau tersumbat, gantikan dengan yang baharu. Penggunaan secara berterusan dengan beg penapis yang penuh atau tersumbat mengakibatkan pengurangan kuasa sedutan.

NOTIS: Untuk mengelakkan habuk daripada masuk ke dalam motor:


- Pastikan beg penapis dipasang sebelum digunakan.
- Jangan gunakan beg yang rosak atau koyak.

Jika tidak, motor boleh rosak.

NOTIS: Jangan lipat kadbod pada bukaannya apabila memasang beg penapis.

NOTIS: Beg penapis untuk pembersih adalah komponen penting bagi mengekalkan prestasi alat. Menggunakan beg penapis yang tidak asli mungkin menyebabkan asap atau penyalan.

NOTA: Apabila beg penapis tidak dipasang di dalam alat, penutup kotak habuk tidak tertutup sepenuhnya.

1. Buka kunci tuil dan buka penutup kotak habuk.
▶ **Rajah8:** 1. Tuil 2. Penutup kotak habuk
2. Buka lipatan beg penapis sepenuhnya.
▶ **Rajah9**
3. Masukkan beg penapis ke dalam slot pada pemegang supaya sisi yang bertanda  dimasukkan dahulu.
4. Cangkukkan selak pada pemegang.
▶ **Rajah10:** 1. Slot 2. Beg penapis 3. Pemegang 4. Selak
5. Pastikan hanya tanda pada kadbod sahaja yang kelihatan melalui lubang pada pemegang.
▶ **Rajah11:** 1. Penandaan 2. Lubang
6. Buka lipatan beg penapis jika terlipat.
▶ **Rajah12**
7. Kunci penutup kotak habuk dengan pasti.

⚠PERHATIAN: Berhati-hati supaya tidak tersepit jari anda semasa mencangkuk selak dan semasa menutup penutup kotak habuk.

Mengeluarkan beg penapis

⚠PERHATIAN: Pegang beg penapis dengan lembut. Jika tidak objek asing akan tertipu ke dalam mata, ia boleh menyebabkan kecederaan diri.

Gantikan beg penapis apabila ia sudah penuh atau tersumbat.

Buka penutup kotak habuk dan buka selak, kemudian keluarkan beg penapis.

Tarik jalur pada sebelah tepi bukaan untuk menutup beg penapis dan buang seluruh beg penapis.

▶ **Rajah13:** 1. Selak 2. Jalur

NOTIS: Jangan gunakan beg penapis yang telah digunakan. Beg penapis direka untuk sekali guna. Menggunakan beg penapis berulang kali boleh menyebabkan penapis tersumbat dan mengakibatkan kerosakan pada alat.

KETERANGAN FUNGSI

⚠PERHATIAN: Sentiasa pastikan peralatan dimatikan dan katrij bateri ditanggalkan sebelum menyelaraskan atau memeriksa fungsi pada peralatan.

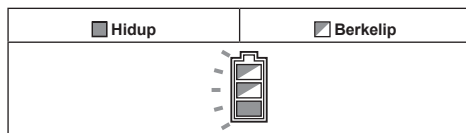
Sistem perlindungan alat / bateri

Alat dilengkapi dengan sistem perlindungan alat/bateri. Sistem ini memotong kuasa kepada motor secara automatik untuk memanjangkan hayat alat dan bateri. Alat akan berhenti secara automatik ketika operasi jika alat atau bateri diletakkan di bawah salah satu syarat yang berikut:

Perlindungan lebih beban

Apabila alat beroperasi dengan cara yang menyebabkan ia menarik arus tinggi yang luar biasa, alat secara automatik terhenti tanpa sebarang penunjuk. Dalam situasi ini, matikan alat dan hentikan penggunaan yang menyebabkan alat menjadi terlebih beban. Kemudian hidupkan alat untuk mula semula.

Perlindungan pemanasan lampau



Apabila alat terlampau panas, alat berhenti secara automatik dan penunjuk bateri berkelip selama lebih kurang 60 saat. Dalam situasi ini, biarkan alat sejuk sebelum menghidupkan semula alat.

Perlindungan lebih nyahcas

Apabila kapasiti bateri menjadi rendah, alat akan berhenti secara automatik. Jika produk tidak beroperasi walaupun suis telah dioperasikan, keluarkan bateri daripada alat dan cas bateri.

Menunjukkan kapasiti bateri yang tinggal

Hanya untuk kartrij bateri dengan penunjuk

► **Rajah14:** 1. Lampu penunjuk 2. Butang semak

Tekan butang semak pada kartrij bateri untuk menunjukkan kapasiti bateri yang tinggal. Lampu penunjuk menyala untuk beberapa saat.

Lampu penunjuk			Kapasiti yang tinggal
Dinyalakan	Mati	Berkelip	
			75% hingga 100%
			50% hingga 75%
			25% hingga 50%
			0% hingga 25%
			Cas bateri.
			Bateri mungkin telah rosak.

NOTA: Bergantung kepada keadaan penggunaan dan suhu persekitaran, penunjuk mungkin berbeza sedikit daripada kapasiti sebenar.

NOTA: Lampu penunjuk (kiri jauh) pertama akan berkedip apabila sistem perlindungan bateri berfungsi.

Panel penunjuk

► **Rajah15:** 1. Mod operasi 2. Tahap habuk berlebihan 3. Ralat penggerak berus 4. Kapasiti bateri yang tinggal 5. Butang semak bateri / lampu LED

Mod operasi

Untuk menukar mod operasi, rujuk pada bahagian tindakan suis.

Tahap habuk berlebihan

Jika penunjuk ini menyala, gantikan beg penapis. (Rujuk pada bahagian menanggalkan beg penapis)

NOTA: Penunjuk ini tidak akan berfungsi semasa alat beroperasi dalam mod "aras hingar lebih rendah (1)".

NOTA: Penunjuk ini mungkin tidak berfungsi bergantung kepada persekitaran penggunaan.

NOTA: Penunjuk secara automatik terpadam kira-kira satu minit selepas alat dimatikan. Jika anda membersihkan benda tersumbat daripada beg penapis dan memulakan semula alat, penunjuk terpadam walaupun dalam masa satu minit.

Ralat penggerak berus

Berkelip	Penggerak berus berada di bawah beban yang tinggi atas sebab tertentu.
Hidup	Penggerak berus terhenti atas sebab tidak normal.

⚠AMARAN: Matikan alat dengan segera apabila lampu ini menyala semasa operasi. Jika tidak kepincangan tugas motor mungkin berlaku dan menyebabkan kebakaran.

Kapasiti bateri yang tinggal

Semasa operasi, tekan butang semak bateri / lampu LED untuk menunjukkan kapasiti bateri yang tinggal. Penunjuk bateri sepadan dengan setiap bateri.

► **Rajah16**

Status penunjuk bateri			Kapasiti bateri yang tinggal
Hidup	Mati	Berkelip	
			50% hingga 100%
			20% hingga 50%
			0% hingga 20%
			Cas bateri

Butang semak bateri / lampu LED

Semasa operasi, operasi berikut boleh dilakukan.

- Hanya tekan butang tersebut untuk menyemak kapasiti bateri yang tinggal.
- Tekan dan tahan butang tersebut untuk menghidupkan / mematikan lampu LED.

Tindakan suis

- **Rajah17:** 1. Butang ON / penukar mod 2. Butang OFF

Menghidupkan / mematikan peralatan

Untuk memulakan alat, hanya tekan butang ON / penukar mod. Untuk mematikan, tekan butang OFF.

⚠PERHATIAN: Sentiasa letakkan kepala alat di atas lantai semasa menghidupkan alat. Jika tidak kemalangan yang disebabkan oleh terbelit mungkin terjadi dan menyebabkan kecederaan diri.

Menukar mod operasi

Anda boleh menukar mod operasi dalam tiga langkah: "aras hingar lebih rendah (1)", "normal (2)" dan "tinggi (3)".

Jika anda ingin menukar mod operasi, tekan butang ON / penukar mod semasa alat sedang dijalankan. Mod operasi bertukar mengikut urutan "aras hingar lebih rendah (1)", "normal (2)" dan "tinggi (3)". Alat akan bermula dalam mod yang sama seperti tetapan sebelumnya.

Menyalakan lampu LED

⚠PERHATIAN: Jangan lihat ke dalam cahaya atau lihat sumber cahaya secara langsung.

Alat dilengkapi dengan lampu LED. Lihat perenggan untuk butang semak bateri / lampu LED untuk operasi.

- **Rajah18:** 1. Lampu LED

Tuil kaki

⚠PERHATIAN: Sentiasa kunci alat dalam kedudukan menegak apabila anda melepaskan pemegang. Jika tidak peralatan mungkin jatuh secara tidak sengaja dan menyebabkan kecederaan.

⚠PERHATIAN: Berhati-hati supaya tidak tersepit jari anda di antara badan utama dan kepala alat.

Untuk membuka kunci kedudukan menegak alat, pijak pada tuil kaki dan tarik pemegang ke belakang. Julat pergerakan adalah 90 darjah daripada kedudukan menegak.

- **Rajah19:** 1. Tuil kaki

Untuk mengunci alat dalam kedudukan menegak, naikkan pemegang ke depan sehingga tuil kaki mengunci kedudukan dengan bunyi klik.

- **Rajah20**

NOTA: Semasa alat dalam kedudukan menegak, penggerak berus berhenti berputar.

Melaraskan ketinggian penggerak berus

⚠PERHATIAN: Sentiasa pastikan tuil pelaras berada pada kedudukan yang betul sebelum operasi.

Ketinggian penggerak berus boleh dilaraskan dalam 4 langkah.

Pusing tuil pelaras kepada ketinggian yang anda inginkan.

Apabila tuil pelaras menunjuk pada tanda A, penggerak berus berada pada titik paling rendah di atas lantai dan sesuai untuk membersihkan lantai keras atau permaidani bulu pendek. Apabila tuil pelaras menunjuk pada tanda B, penggerak berus berada pada titik paling tinggi di atas lantai dan sesuai untuk membersihkan permaidani bulu panjang.

- **Rajah21:** 1. Tuil pelaras

NOTA: Penggerak berus mungkin tidak berputar jika ketinggian penggerak berus terlalu rendah pada permukaan permaidani.

Pemegang pembawa

Apabila membawa alat, tolak alat dengan roda lereng-lereng sahaja atau bawa ia dengan memegang pemegang pembawa.

- **Rajah22**

⚠PERHATIAN: Apabila membawa alat, kuncikan alat dalam kedudukan menegak. Jika tidak, kemalangan terjatuh mungkin berlaku.

⚠PERHATIAN: Jangan membawa alat dengan sesuatu selain daripada pemegang pembawa. Jika tidak kemalangan terjatuh mungkin berlaku atau permulaan yang tidak disengajakan mungkin menyebabkan kecederaan.

- **Rajah23**

OPERASI

⚠PERHATIAN: Jangan tarik keluar pancang pemegang daripada alat semasa operasi. Melakukan sedemikian menghilangkan kawalan pada alat dan boleh menyebabkan kecederaan serius.

⚠PERHATIAN: Jangan letak tangan atau kaki anda di bawah alat semasa operasi. Jika tidak, kemalangan tersepit mungkin berlaku.

Operasi pembersihan biasa

1. Pegang pemegang dan buka kunci kedudukan menegak.
2. Hidupkan alat. Bersihkan lantai.

- **Rajah24**

Menggunakan berus sisi

Berus sisi memudahkan untuk membersihkan penjuru dinding.

Jika berus sisi menjadi pendek, bawa alat ke pusat servis Makita untuk penggantian

► **Rajah25:** 1. Berus sisi

Operasi dengan aksesori

⚠PERHATIAN: Teruskan memegang pemegang semasa menggunakan aksesori. Jika tidak peralatan mungkin jatuh secara tidak sengaja dan menyebabkan kecederaan.

NOTIS: Apabila menggunakan aksesori, kunci alat dalam kedudukan menegak. Jika tidak putaran penggerak berus mungkin akan merosakkan lantai.

Menggunakan paip aluminium

Paip aluminium sesuai untuk membersihkan kawasan yang sempit atau tempat tinggi.

► **Rajah26:** 1. Paip aluminium

Menggunakan hos

Hos sesuai untuk membersihkan berhampiran tangan anda.

► **Rajah27:** 1. Hos

Untuk menggunakan hos, tarik keluar paip aluminium daripada hos sambil menolak tuil.

Untuk memasang hos, masukkan hos ke dalam paip aluminium sehingga berbunyi klik.

► **Rajah28:** 1. Tuil

Menggunakan alat tambah

► **Rajah29**

Untuk memasang alat tambah, pulas dan masukkan dengan kukuh pada paip aluminium atau hos. Untuk cabut sambungan, putar dan tanggalkan ia.

PENYELENGGARAAN

⚠PERHATIAN: Sentiasa pastikan perkakas dimatikan dan kartrij bateri dikeluarkan sebelum cuba menjalankan pemeriksaan atau penyelenggaraan.

NOTIS: Jangan gunakan petrol, benzin, pencair, alkohol atau bahan yang serupa. Ia boleh menyebabkan perubahan warna, bentuk atau keretakan.

Untuk mengekalkan KESELAMATAN dan KEBOLEHPERCAYAAN produk, pembaikan, apa-apa penyelenggaraan atau penyesuaian lain perlu dilakukan oleh Kilang atau Pusat Servis Makita yang Diiktiraf, sentiasa gunakan alat ganti Makita.

Penyimpanan

Apabila menyimpan, tanggalkan kartrij bateri dan simpan alat di tempat rata dalam kedudukan menegak.

► **Rajah30**

Membersihkan badan alat

Dari semasa ke semasa lap bahagian luar (badan pembersih) pembersih menggunakan kain yang dilembapkan dalam air sabun.

► **Rajah31**

Membersihkan penapis HEPA

⚠PERHATIAN: Jangan gunakan pembersih tanpa penapis atau secara berterusan menggunakan penapis yang kotor atau rosak. Habuk atau zarah yang disedut mungkin dilepaskan daripada pembersih dan ia mungkin menyebabkan penyakit pernafasan kepada pengendali.

NOTIS: Untuk mengekalkan kuasa sedutan optimum dan ekzos bersih, bersihkan penapis secara berkala. Jika kuasa sedutan yang mencukupi tidak diperolehi selepas pembersihan, gantikan penapis dengan yang baharu.

NOTIS: Untuk mengelakkan penapis daripada rosak, jangan guna alat berikut dan item yang sama untuk pembersihan:

- Pengabuk udara
- Pencuci bertekanan tinggi
- Alat yang diperbuat daripada bahan yang keras seperti berus metalik

1. Buka penutup kotak habuk dan keluarkan beg penapis.

Lepaskan cangkuk pada penapis dan tanggalkannya daripada badan alat.

► **Rajah32:** 1. Cangkuk

2. Pukul habuk pada penapis. Penapis boleh dibasuh dengan air. Bilas habuk dan zarah pada penapis setiap 1 atau 2 bulan. Selepas itu, keringkan penapis sepenuhnya di tempat teduh dan pengudaraan yang baik untuk mencegah bau tidak menyenangkan atau pincang tugas.

3. Untuk memasang penapis, masukkan sisi tanpa cangkuk ke dalam alur kemudian tolak masuk penapis sehingga cangkuk dikukuhkan dengan bunyi klik.

► **Rajah33:** 1. Alur 2. Penapis HEPA 3. Cangkuk

Membersihkan penggerak berus

1. Tanggalkan plat bawah dan kemudian tanggalkan penggerak berus.

Jika bulu pada penggerak berus menjadi pendek, minta yang baru daripada pusat servis Makita.

Mengendalikan alat dengan bulu penggerak berus yang pendek mengakibatkan pengumpulan habuk yang tidak bagus.

► **Rajah34:** 1. Plat bawah 2. Penggerak berus

2. Buang benang dan rambut daripada penggerak berus menggunakan gunting.

Tanggalkan penutup dan bersihkan serpihan.

► **Rajah35:** 1. Penutup

3. Pasangkan penutup, penggerak berus dan plat bawah dalam urutan terbalik.

► **Rajah36**

⚠PERHATIAN: Pasangkan plat bawah sepenuhnya. Jika alat dikendalikan tanpa plat bawah, penggerak berus mungkin tertanggal dan menyebabkan kecederaan.

NOTIS: Sentiasa pasangkan penggerak berus. Mengendalikan alat tanpa penggerak berus mengakibatkan pengumpulan habuk yang tidak bagus.

Cara untuk membersihkan sumbatan

NOTIS: Jangan mengendalikan alat dengan laluan aliran masuk tersumbat. Penggunaan secara berterusan dengan laluan aliran masuk tersumbat mengakibatkan pengurangan kuasa sedutan.

1. Tanggalkan plat bawah dan kemudian tanggalkan penggerak berus.
 2. Tanggalkan paip aluminium daripada alat dan daripada hos.
 3. Pusingkan hos mengikut arah lawan jam dan kemudian tanggalkan hos daripada alat.
 4. Tanggalkan hos sedutan dengan menarik tab.
- **Rajah37:** 1. Hos sedutan 2. Tab
5. Periksa laluan aliran masuk udara bagi bahagian dalam paip aluminium dan hos serta hos sedutan.

Bersihkan serpihan di dalamnya.

6. Jajarkan lidah hos sedutan dengan alur pada perumahan dan selitkan ia ke tempatnya.

► **Rajah38:** 1. Lidah 2. Alur

7. Pasangkan hos, paip aluminium, penggerak berus dan plat bawah.

⚠PERHATIAN: Pasangkan hos, paip dengan kukuh. Jika tidak, kebocoran habuk mungkin berlaku dan menyebabkan kecederaan.

PENYELESAIAN MASALAH

Sebelum meminta pembaikan, jalankan pemeriksaan sendiri terlebih dahulu. Jika anda dapati masalah yang tidak diterangkan dalam manual, jangan cuba untuk menanggalkan mesin. Sebaliknya, tanya Pusat Servis Sah Makita, sentiasa gunakan alat ganti Makita untuk pembaikan.

Gejala	Sebab yang mungkin	Remedi
Tidak berfungsi	Kartrij bateri tidak dipasang dengan betul.	Pasang kartrij bateri seperti yang diterangkan dalam manual ini.
	Kartrij bateri telah kehabisan.	Cas kartrij bateri.
	Pemegang tidak dipasang dengan betul.	Pasang pemegang dengan kukuh seperti yang diterangkan dalam manual ini.
Penggerak berus tidak berputar	Alat telah dikunci dalam kedudukan menegak.	Buka kunci kedudukan menegak alat.
	Penunjuk ralat penggerak berus menyala.	Periksa tiada kekusutan di sekeliling penggerak berus (badan, penutup dan sambungan).
Kuasa sedutan lemah	Penunjuk tahap habuk berlebihan menyala.	Gantikan beg penapis. Jika beg penapis tidak penuh, buka lipatan beg penapis dan goncang untuk membersihkan benda tersumbat.
	⇒ Jika menggantikan beg penapis tidak menyelesaikan masalah...	Bersihkan atau gantikan penapis HEPA. Periksa tiada serpihan tersumbat dalam hos atau paip.
	Serpihan tersangkut pada penggerak berus dan kelajuan putaran dikurangkan.	Periksa tiada kekusutan di sekeliling penggerak berus (badan, penutup, sambungan).
	Ketinggian penggerak berus terlalu jauh dari lantai.	Rendahkan ketinggian penggerak berus.
	Bulu penggerak berus telah menjadi pendek.	Gantikan penggerak berus. Rendahkan ketinggian penggerak berus.
	Alat sedang beroperasi dalam mod rendah.	Tukar kepada mod operasi yang lebih tinggi.
	Penggerak berus tidak dipasang.	Pasangkan penggerak berus.
	Paip atau hos tidak dipasang dengan betul.	Pasangkan paip atau hos dengan kukuh.
Hingar pemacuan yang kuat	Alat sedang beroperasi dalam mod tinggi.	Tukar kepada mod operasi yang lebih rendah.
	Serpihan tersangkut pada penggerak berus.	Periksa tiada kekusutan di sekeliling penggerak berus (badan, penutup dan sambungan).
	Beg penapis penuh dengan habuk.	Gantikan beg penapis.
	⇒ Jika menggantikan beg penapis tidak menyelesaikan masalah...	Bersihkan atau gantikan penapis HEPA. Periksa tiada serpihan tersumbat dalam hos atau paip.
Penunjuk tahap habuk berlebihan berkelip selepas digunakan sekejap	Beg penapis terlipat.	Buka lipatan bukaan beg penapis sebelum menetapkannya.
Lampu LED tidak menyala	Tetapan lampu LED dimatikan.	Semasa operasi, tekan dan tahan butang semak bateri / lampu LED untuk menghidupkan lampu LED.
Roda lereng-lereng sukar untuk digerakkan	Serpihan tersangkut pada roda lereng-lereng.	Bersihkan serpihan pada roda lereng-lereng.

AKSESORI PILIHAN

⚠️ PERHATIAN: Aksesori-aksesori atau lampiran-lampiran ini adalah disyorkan untuk digunakan dengan alat Makita anda yang ditentukan dalam manual ini. Penggunaan mana-mana aksesori-aksesori atau lampiran-lampiran lain mungkin mengakibatkan risiko kecederaan kepada orang. Hanya gunakan aksesori atau lampiran untuk tujuan yang dinyatakannya.

Jika anda memerlukan sebarang bantuan untuk maklumat lebih lanjut mengenai aksesori ini, tanya Pusat Perkhidmatan Makita tempatan anda.

- Muncung penjuru
- Berus bulat
- Penapis HEPA
- Beg penapis
- Bateri dan pengecas asli Makita

NOTA: Beberapa item dalam senarai mungkin disertakan dalam pakej alat sebagai aksesori standard. Item mungkin berbeza mengikut negara.

CẢNH BÁO

- Máy này không dành cho những người suy giảm thể chất, giác quan hoặc khả năng trí óc, hoặc thiếu kinh nghiệm và kiến thức sử dụng bao gồm cả trẻ em.
- Trẻ em cần được giám sát để đảm bảo rằng chúng sẽ không nghịch máy hút bụi.
- Xem chương “THÔNG SỐ KỸ THUẬT” để biết loại tham chiếu dành cho pin.
- Xem phần “Lắp hoặc tháo hộp pin” để biết cách tháo hoặc lắp pin.
- Khi vứt bỏ hộp pin, hãy tháo chúng khỏi dụng cụ và thải bỏ ở nơi an toàn. Phải tuân thủ theo các quy định của địa phương liên quan đến việc xử dụng thải bỏ pin.
- Nếu dụng cụ không được sử dụng trong một thời gian dài, cần phải tháo pin ra khỏi dụng cụ.
- Không để hộp pin ở tình trạng đoản mạch.
- Xem chương “BẢO DƯỠNG” để biết các chi tiết thích hợp về các biện pháp phòng ngừa trong quá trình bảo dưỡng của người dùng.

THÔNG SỐ KỸ THUẬT

Kiểu máy:	DVC560
Lượng không khí tối đa *	1,9 m ³ /min
Lưu lượng hút *	12 kPa
Dung lượng	5 L
Kích thước (D x R x C)	326 mm x 318 mm x 1.146 mm
Điện áp định mức	36 V một chiều
Khối lượng tịnh	8,3 - 9,0 kg

- * Giá trị được đo bằng phương pháp ban đầu của chúng tôi.
- Do chương trình nghiên cứu và phát triển liên tục của chúng tôi nên các thông số kỹ thuật trong đây có thể thay đổi mà không cần thông báo trước.
- Các thông số kỹ thuật và hộp pin có thể thay đổi tùy theo từng quốc gia.
- Khối lượng có bao gồm các phụ kiện (bàn chải tròn, vòi hút góc) và (các) hộp pin. Khối lượng kết hợp nhẹ nhất, nặng nhất của thiết bị và (các) hộp pin được thể hiện như trong bảng.

Hộp pin và sạc pin có thể áp dụng

Hộp pin	BL1815N / BL1820B / BL1830B / BL1840B / BL1850B / BL1860B
Bộ sạc	DC18RC / DC18RD / DC18RE / DC18SD / DC18SE / DC18SF / DC18SH

- Một số hộp pin và sạc pin được nêu trong danh sách ở trên có thể không khả dụng tùy thuộc vào khu vực cư trú của bạn.

⚠ CẢNH BÁO: Chỉ sử dụng hộp pin và sạc pin được nêu trong danh sách ở trên. Việc sử dụng bất cứ hộp pin và sạc pin nào khác có thể gây ra thương tích và/hoặc hỏa hoạn.

Ký hiệu

Phần dưới đây cho biết các ký hiệu có thể được dùng cho thiết bị. Đảm bảo rằng bạn hiểu rõ ý nghĩa của các ký hiệu này trước khi sử dụng.



Đọc tài liệu hướng dẫn.



Hãy cẩn thận và đặc biệt chú ý.



Ni-MH
Li-ion

Chỉ dành cho các quốc gia EU
Do có các thành phần nguy hiểm bên trong thiết bị điện và điện tử, ắc quy và pin thải bỏ nên có thể có tác động không tốt đến môi trường và sức khỏe con người. Không vứt bỏ các thiết bị điện và điện tử hoặc pin với rác thải sinh hoạt!
Theo Chỉ thị của Châu Âu về thiết bị điện và điện tử thải bỏ và về pin và ắc quy và pin và ắc quy thải bỏ, cũng như sự thích ứng của chúng với luật pháp quốc gia, các thiết bị điện, pin và ắc quy thải phải được cất giữ riêng biệt và chuyển đến một điểm thu gom rác thải đô thị riêng, hoạt động theo các quy định về bảo vệ môi trường. Điều này được biểu thị bằng biểu tượng thùng rác có bánh xe gạch chéo được đặt trên thiết bị.

Mục đích sử dụng

Thiết bị này được dùng để gom bụi khô. Thiết bị này thích hợp cho sử dụng thương mại, ví dụ như trong khách sạn, trường học, bệnh viện, nhà máy, cửa hàng, văn phòng và các cơ sở cho thuê.

CẢNH BÁO AN TOÀN

Cảnh báo an toàn cho Máy hút bụi chạy pin

⚠ CẢNH BÁO: LƯU Ý ĐỌC KỸ tất cả các cảnh báo an toàn và các hướng dẫn **TRƯỚC KHI SỬ DỤNG**. Việc không tuân theo các cảnh báo và hướng dẫn có thể dẫn đến điện giật, hỏa hoạn và/hoặc thương tích nghiêm trọng.

1. Trước khi sử dụng, đảm bảo rằng máy hút bụi này phải do người đã được hướng dẫn đầy đủ về cách dùng máy hút bụi này sử dụng.
2. Không sử dụng khi không có túi lọc và/hoặc các bộ lọc ở đúng vị trí. Thay thế bộ lọc bị hỏng ngay lập tức.
3. **TRÁNH VÔ TÌNH KHỞI ĐỘNG MÁY.** Đảm bảo rằng đưa công tắc về nút **TẮT** lại (các pin).
4. Không cố hút các vật liệu dễ cháy, pháo hoa, thuốc lá đang cháy, tro nóng, mặt kim loại nóng, các vật liệu sắc nhọn như dao cạo, kim, thủy tinh vỡ hoặc những vật tương tự.

5. **KHÔNG BAO GIỜ SỬ DỤNG MÁY HÚT BỤI TRONG KHU VỰC GẦN XĂNG DẦU, KHÍ GAS, SƠN, KEO DÁN HOẶC CÁC CHẤT CHÁY NÓ MẠNH.** Công tắc phát ra tia lửa khi **BẬT** và **TẮT**. Và vành góp điện động cơ cũng bị tương tự trong quá trình vận hành. Có thể gây ra cháy nổ nguy hiểm.
6. Máy hút bụi này không thích hợp để hút bụi nguy hiểm.
7. Không bao giờ hút các vật liệu độc hại, gây ung thư, dễ bắt lửa hoặc các vật liệu nguy hiểm khác như amiăng, thạch tín, bari, berili, chì, thuốc trừ sâu, hoặc các vật liệu nguy hại cho sức khỏe khác.
8. Không sử dụng ngoài trời hoặc trên bề mặt ướt.
9. Máy này không được sử dụng ngoài trời với nhiệt độ thấp đối với nước Phần Lan.
10. Không sử dụng thiết bị gần với nguồn nhiệt (bếp, v.v...).
11. Không chặn ngõ vào đầu hút/ngõ ra/lỗ thông hơi làm mất. Các lỗ thông hơi này cho phép làm mát động cơ. Cẩn thận tránh làm tắc nghẽn nếu không động cơ sẽ cháy hòng do thiếu thông gió.
12. Không gấp, kéo hoặc dẫm lên ống hút.
13. Dừng máy hút bụi ngay lập tức nếu bạn nhận thấy hiệu suất hoạt động của máy kém hoặc bất cứ điều gì bất thường trong khi vận hành.
14. **THẢO (CÁC) PIN.** Khi không sử dụng, trước khi bảo trì, và khi thay đổi các phụ kiện.
15. Làm sạch và bảo trì máy hút bụi ngay sau mỗi lần sử dụng để giữ máy trong điều kiện vận hành tối ưu nhất.
16. **BẢO DƯỠNG MÁY HÚT BỤI CẦN THẬN.** Giữ máy hút bụi sạch sẽ để máy hoạt động tốt và an toàn hơn. Tuân theo các hướng dẫn dành cho việc thay phụ tùng. Giữ tay cầm khô, sạch, không dính dầu và mỡ.
17. **KIỂM TRA CÁC BỘ PHẬN BỊ HƯ HỎNG.** Trước khi sử dụng tiếp máy hút bụi, cần phải kiểm tra kỹ lưỡng bộ phận bảo vệ hoặc bộ phận khác bị hư hỏng để xác định rằng máy sẽ vận hành bình thường và thực hiện đúng chức năng như được thiết kế. Kiểm tra cân chỉnh các bộ phận chuyển động, bó kẹp của các bộ phận chuyển động, chốt nút vỡ các bộ phận, chốt gán và bất cứ tình trạng nào khác có thể ảnh hưởng đến việc vận hành. Bộ phận bảo vệ hoặc bộ phận nào khác bị hư hỏng cần phải được sửa chữa đúng cách hoặc thay thế bởi trung tâm bảo trì được ủy quyền trừ khi có chỉ dẫn khác trong hướng dẫn sử dụng này. Hãy để trung tâm dịch vụ được ủy quyền thay thế các công tắc bị hỏng. Không sử dụng máy hút bụi nếu công tắc không bật và tắt được máy.
18. **CÁC BỘ PHẬN THAY THẾ.** Khi bảo trì, chỉ sử dụng các bộ phận thay thế giống nhau.
19. **CẮT MÁY HÚT BỤI KHI KHÔNG SỬ DỤNG.** Khi không sử dụng, phải cắt máy hút bụi trong nhà.
20. Cắt giữ cẩn thận máy hút bụi của bạn. Xử lý mạnh tay có thể làm nứt vỡ ngay cả đối với máy hút bụi được thiết kế cứng cáp nhất.

21. Không có làm sạch bên ngoài hoặc bên trong bằng ét xăng, dung môi hoặc hóa chất làm sạch. Điều này có thể gây nứt và làm mất màu.
22. Không sử dụng máy hút bụi trong một không gian khép kín nơi có khí dễ cháy, nổ hoặc độc hại do sơn gốc dầu, dung môi pha sơn, xăng, một số chất chống sâu mọt, v.v... gây ra, hoặc ở những khu vực có bụi dễ cháy.
23. Không vận hành máy hút bụi này hoặc bất kỳ máy nào khi đang chịu ảnh hưởng của ma túy hoặc rượu.
24. Đọc các thiết bị bảo vệ thích hợp như mặt nạ, tùy thuộc vào môi trường sử dụng.
25. Máy này không dành cho những người suy giảm thể chất, giác quan hoặc khả năng trí óc, hoặc thiếu kinh nghiệm và kiến thức sử dụng bao gồm cả trẻ em.
26. Trẻ em cần được giám sát để đảm bảo rằng chúng sẽ không nghịch máy hút bụi.
27. Không bao giờ xử lý (các) pin và máy hút bụi bằng tay ướt.
28. Hết sức cẩn trọng khi làm sạch trên các bậc thang.
29. Luôn giữ thăng bằng tốt và có chỗ để chân phù hợp.
30. Không sử dụng máy hút bụi làm ghế ngồi hay ghế băng làm việc. Máy có thể đổ xuống và dẫn đến chấn thương cá nhân.
31. Giữ tất cả bộ phận của cơ thể bạn và quần áo tránh xa các lỗ hở và bộ phận chuyển động như bàn chải xoay. Nếu không chúng có thể bị vướng vào thiết bị và gây ra chấn thương.

Sử dụng và bảo quản dụng cụ dùng pin

1. Chỉ sạc pin lại với bộ sạc do nhà sản xuất quy định. Bộ sạc phù hợp với một loại bộ pin này có thể gây ra nguy cơ hỏa hoạn khi được dùng cho một bộ pin khác.
2. Chỉ sử dụng các dụng cụ máy với các bộ pin được quy định cụ thể. Việc sử dụng bất cứ bộ pin nào khác có thể gây ra thương tích và hỏa hoạn.
3. Khi không sử dụng bộ pin, hãy giữ tránh xa các đồ vật khác bằng kim loại, chẳng hạn như kẹp giấy, tiền xu, chìa khóa, đinh, ốc vít hoặc các vật nhỏ bằng kim loại mà có thể làm nối tất các đầu cực pin. Các đầu cực pin bị đoản mạch có thể gây cháy hoặc hỏa hoạn.
4. Trong điều kiện sử dụng quá mức, pin có thể bị chảy nước; hãy tránh tiếp xúc. Nếu vô tình tiếp xúc với pin bị chảy nước, hãy rửa sạch bằng nước. Nếu dung dịch từ pin tiếp xúc với mắt, cần đi khám bác sĩ thêm. Dung dịch chảy ra từ pin có thể gây rát da hoặc bỏng.
5. Không sử dụng bộ pin hoặc dụng cụ bị hư hỏng hoặc đã bị sửa đổi. Pin đã bị hư hỏng hoặc đã bị sửa đổi có thể hành động theo cách không thể đoán trước dẫn đến cháy, nổ hoặc nguy cơ chấn thương.
6. Không để bộ pin hoặc dụng cụ tiếp xúc với lửa hoặc nhiệt độ quá cao. Tiếp xúc với lửa hoặc nhiệt độ trên 130 °C có thể gây ra cháy nổ.

7. Làm theo tất cả các hướng dẫn sạc pin và không được sạc bộ pin hoặc dụng cụ vượt giới hạn nhiệt độ quy định trong hướng dẫn. Sạc pin không đúng hoặc ở nhiệt độ vượt giới hạn nhiệt độ có thể gây hư hỏng cho pin và làm tăng nguy cơ cháy.

LƯU GIỮ CÁC HƯỚNG DẪN NÀY.

▲CẢNH BÁO: KHÔNG vì đã thoải mái hay quen thuộc với sản phẩm (có được do sử dụng nhiều lần) mà không tuân thủ nghiêm ngặt các quy định về an toàn dành cho sản phẩm này. VIỆC DÙNG SAI hoặc không tuân theo các quy định về an toàn được nêu trong tài liệu hướng dẫn này có thể dẫn đến thương tích cá nhân nghiêm trọng.

Hướng dẫn quan trọng về an toàn dành cho hộp pin

1. Trước khi sử dụng hộp pin, hãy đọc kỹ tất cả các hướng dẫn và dấu hiệu cảnh báo trên (1) bộ sạc pin, (2) pin và (3) sản phẩm sử dụng pin.
2. Không tháo rời hoặc làm thay đổi hộp pin. Việc này có thể dẫn đến hỏa hoạn, quá nhiệt hoặc nổ.
3. Nếu thời gian vận hành ngắn hơn quá mức, hãy ngừng vận hành ngay lập tức. Điều này có thể dẫn đến rùi ro quá nhiệt, có thể gây bỏng và thậm chí là nổ.
4. Nếu chất điện phân rơi vào mắt, hãy rửa sạch bằng nước sạch và đến cơ sở y tế ngay lập tức. Chất này có thể khiến bạn giảm thị lực.
5. Không để hộp pin ở tình trạng đoản mạch:
 - (1) Không chạm vào cực pin bằng vật liệu dẫn điện.
 - (2) Tránh cất giữ hộp pin trong hộp có các vật kim loại khác như đinh, tiền xu, v.v...
 - (3) Không được để hộp pin tiếp xúc với nước hoặc mưa.
 Đoản mạch pin có thể gây ra dòng điện lớn, quá nhiệt, có thể gây bỏng và thậm chí là hỏng hóc.
6. Không cất giữ cũng như sử dụng dụng cụ và hộp pin ở nơi nhiệt độ có thể lên tới hoặc vượt quá 50 °C (122 °F).
7. Không đốt hộp pin ngay cả khi hộp pin đã bị hư hại nặng hoặc hư hỏng hoàn toàn. Hộp pin có thể nổ khi tiếp xúc với lửa.
8. Không đóng đinh, cắt, nghiền nát, ném, làm rơi hộp pin hoặc va vật cứng vào hộp pin. Làm như thế có thể dẫn đến hỏa hoạn, quá nhiệt hoặc nổ.
9. Không sử dụng pin đã hỏng.

10. **Pin nén lithium-ion là đối tượng có yêu cầu bắt buộc theo Luật Hàng hoá Nguy hiểm.**
Đối với vận tải thương mại, ví dụ như vận tải do bên thứ ba, đại lý giao nhận, thì yêu cầu đặc biệt về đóng gói và nhãn ghi phải được giám sát.
Để chuẩn bị cho mặt hàng cần vận chuyển, cần phải tham khảo ý kiến chuyên gia về vật liệu nguy hiểm. Nếu được, vui lòng tuân thủ các quy định quốc gia chi tiết hơn.
Buộc niêm phong các tiếp điểm mở và đóng gói pin theo cách đó để nó không thể di chuyển trong bao bì.
11. **Khi rút bỏ hộp pin, hãy tháo chúng khỏi dụng cụ và thái bỏ ở nơi an toàn. Phải tuân thủ theo các quy định của địa phương liên quan đến việc thái bỏ pin.**
12. **Chỉ sử dụng pin cho các sản phẩm Makita chỉ định.** Lắp pin vào sản phẩm không thích hợp có thể gây ra hỏa hoạn, quá nhiệt, nổ, hoặc rò chất điện phân.
13. **Nếu dụng cụ không được sử dụng trong một thời gian dài, cần phải tháo pin ra khỏi dụng cụ.**
14. **Trong và sau khi sử dụng, hộp pin có thể bị nóng, có thể gây bỏng hoặc bỏng ở nhiệt độ thấp. Chú ý xử lý hộp pin nóng.**
15. **Không chạm vào điện cực của dụng cụ ngay sau khi sử dụng vì điện cực đủ nóng để gây bỏng.**
16. **Không để vụn bào, bụi hoặc đất bám vào các điện cực, lỗ và rãnh của hộp pin.** Việc này có thể dẫn đến hiệu suất kém hoặc hỏng hóc dụng cụ hay hộp pin.
17. **Trừ khi dụng cụ hỗ trợ sử dụng gần đường dây điện cao thế, không sử dụng hộp pin gần đường dây điện cao thế.** Việc này có thể dẫn đến trực tặc hoặc hỏng hóc dụng cụ hay hộp pin.
18. **Giữ pin tránh xa trẻ em.**

LƯU GIỮ CÁC HƯỚNG DẪN NÀY.

⚠ THẬN TRỌNG: Chỉ sử dụng pin Makita chính hãng. Việc sử dụng pin không chính hãng Makita, hoặc pin đã được sửa đổi, có thể dẫn đến nổ pin gây ra cháy, thương tích và thiệt hại cá nhân. Nó cũng sẽ làm mất hiệu lực bảo hành của Makita dành cho dụng cụ của Makita và bộ sạc.

Mẹo duy trì tuổi thọ tối đa cho pin

1. **Sạc hộp pin trước khi pin bị xả điện hoàn toàn.** Luôn dừng việc vận hành dụng cụ và sạc pin khi bạn nhận thấy công suất dụng cụ bị giảm.
2. **Không được phép sạc lại một hộp pin đã được sạc đầy.** Sạc quá mức sẽ làm giảm tuổi thọ của pin.
3. **Sạc pin ở nhiệt độ phòng 10°C - 40°C.** Để cho hộp pin nóng nguội lại dần trước khi sạc pin.
4. **Khi không sử dụng hộp pin, hãy tháo hộp pin ra khỏi dụng cụ hoặc bộ sạc.**
5. **Sạc pin sáu tháng một lần nếu bạn không sử dụng dụng cụ trong một thời gian dài (hơn sáu tháng).**

MÔ TẢ CÁC BỘ PHẬN

► Hình 1

1	Tay cầm	2	Bảng công tắc	3	Bộ kẹp ống	4	Ống dẫn
5	Bảng chỉ thị	6	Cần gạt (dành cho nắp hộp chứa bụi)	7	Nắp hộp chứa bụi	8	Tay cầm
9	Chốt khóa (dành cho nắp dây pin)	10	Cần điều chỉnh	11	Nắp dây pin	12	Vòi hút góc
13	Bàn chải tròn	14	Bàn đập	15	Bánh đai	16	Bàn chải quét cạnh
17	Ống hút	18	Khớp nối	19	Ống nhôm	20	Giá đỡ ống
21	Đèn LED	22	Trục lăn bàn chải	23	Tấm đáy	24	Nút ON (BẬT) / thay đổi chế độ
25	Nút OFF (TẮT)	26	Đèn chỉ báo của chế độ vận hành	27	Đèn chỉ báo mức độ bụi quá mức	28	Đèn chỉ báo lỗi trục lăn bàn chải
29	Đèn chỉ báo dung lượng pin còn lại	30	Nút kiểm tra pin / đèn LED	-	-	-	-

LẮP RÁP

⚠ THẬN TRỌNG: Luôn bảo đảm đã tắt thiết bị và tháo hộp pin trước khi tiến hành bất cứ công việc nào trên thiết bị.

⚠ THẬN TRỌNG: Luôn luôn đeo mặt nạ chống bụi trong quá trình lắp ráp hoặc bảo trì.

Đang nối tay cầm

1. Chèn đầu nối tay cầm vào thân máy hút bụi như minh họa trong hình.
 2. Đóng chốt gài khóa.
- **Hình2:** 1. Đầu nối tay cầm 2. Vạch dấu màu đỏ
3. Chốt gài khóa

CHÚ Ý: Lắp tay cầm hết mức cho đến khi không thể nhìn thấy vạch dấu màu đỏ.

Đang nối ống nối

Lắp ống vào cổng nối của thiết bị và vặn giá đỡ cho đến khi nó được khóa lại.

► **Hình3**

Đang nối ống nhôm

Chèn đầu ống nhôm vào khớp nối, sau đó gắn ống nhôm vào giá đỡ ống.

► **Hình4:** 1. Khớp nối 2. Giá đỡ ống

CHÚ Ý: Chèn ống nhôm theo đúng hướng như minh họa trong hình. Nếu không, giá đỡ ống sẽ không khóa được và ống nhôm có thể rơi ra.

► **Hình5**

Lắp hoặc tháo hộp pin

⚠ THẬN TRỌNG: Luôn tắt thiết bị trước khi lắp hoặc tháo hộp pin.

⚠ THẬN TRỌNG: Giữ máy hút bụi và hộp pin thật chắc khi lắp hoặc tháo hộp pin. Không giữ máy hút bụi và hộp pin thật chắc có thể làm trượt chúng khỏi tay và làm hư hỏng dụng cụ và hộp pin hoặc gây thương tích cá nhân.

⚠ THẬN TRỌNG: Cần thận trọng kẹp ngón tay của bạn khi mở hoặc đóng nắp pin. Nếu không, làm như vậy có thể gây ra thương tích cá nhân.

Để lắp đặt hộp pin, trước tiên mở khóa, và sau đó mở nắp pin. Sau đó, lắp hộp pin vào.

► **Hình6:** 1. Khóa 2. Nắp đậy pin

Đặt thẳng hàng phần chốt nhô ra của hộp pin vào phần rãnh nằm trên vỏ và trượt hộp pin vào vị trí. Đưa hộp pin vào cho đến khi chốt khóa vào đúng vị trí với một tiếng "cách" nhẹ. Sau đó đóng nắp đậy pin.

► **Hình7:** 1. Hộp pin 2. Nút

Để tháo hộp pin, vừa trượt hộp pin ra khỏi thiết bị vừa trượt nút vào phía trước hộp pin.

⚠ THẬN TRỌNG: Luôn lắp đặt hộp pin hết mức. Nếu không, hộp pin có thể vó ý rời ra khỏi thiết bị, gây thương tích cho bạn hoặc người khác ở xung quanh.

⚠ THẬN TRỌNG: Không được dùng sức lắp hộp pin. Nếu hộp pin không nhẹ nhàng trượt vào vị trí, có nghĩa là pin vẫn chưa được lắp đúng.

LƯU Ý: Máy hút bụi sẽ không hoạt động nếu chỉ có một hộp pin.

Lắp túi lọc

⚠ THẬN TRỌNG: Không sử dụng túi lọc đã bị hư hỏng. Luôn luôn sử dụng máy hút bụi có túi lọc được lắp đúng cách. Nếu không bụi và các hạt bụi đã được hút có thể bay ra khỏi máy hút bụi và chúng có thể gây ra bệnh đường hô hấp cho người vận hành.

Lắp túi lọc vào trước khi sử dụng máy hút bụi. Túi lọc là loại dùng một lần. Vứt bỏ toàn bộ túi lọc mà không cần phải làm rỗng khi túi lọc bị đầy.

CHÚ Ý: Khi túi lọc đã đầy bụi hoặc bị nghẽn, hãy thay thế bằng cái mới. Tiếp tục sử dụng khi túi lọc đầy bụi hoặc bị nghẽn sẽ làm giảm công suất hút.

CHÚ Ý: Để ngăn ngừa bụi rơi vào trong động cơ:

- Đảm bảo rằng túi lọc đã được lắp vào trước khi sử dụng.
- Không sử dụng túi bị vỡ hoặc bị rách.

Nếu không động cơ có thể bị hỏng.

CHÚ Ý: Không gấp tấm bìa lúc tấm bìa đang mở khi đang lắp đặt túi lọc.

CHÚ Ý: Túi lọc cho máy hút bụi là một bộ phận quan trọng trong việc duy trì hiệu năng thiết bị. Sử dụng túi lọc không chính hãng có thể gây ra khói hoặc đánh lửa.


LƯU Ý: Khi túi lọc không được lắp vào thiết bị, nắp hộp chứa bụi sẽ không được đóng hoàn toàn.

1. Mở khóa cần gạt và mở nắp hộp chứa bụi.

► **Hình8:** 1. Cần gạt 2. Nắp hộp chứa bụi

2. Kéo mở túi lọc hết cỡ.

► **Hình9**

3. Chèn túi lọc vào khe trên giá đỡ sao cho mặt bên có dấu  vào trước.

4. Móc chốt hãm của giá đỡ.

► **Hình10:** 1. Khe 2. Túi lọc 3. Giá đỡ 4. Chốt gài

5. Hãy đảm bảo rằng chỉ có thể nhìn thấy vạch dấu trên tấm bìa cứng thông qua khe của giá đỡ.

► **Hình11:** 1. Vạch dấu 2. Khe

6. Kéo mở túi lọc nếu túi bị gấp lại.

► **Hình12**

7. Khóa nắp hộp chứa bụi thật chắc.

⚠ THẬN TRỌNG: Cần thận trọng kẹp ngón tay của bạn khi móc chốt gài, và khi đóng nắp hộp chứa bụi.

Tháo túi lọc

⚠ THẬN TRỌNG: Xử lý túi lọc nhẹ nhàng. Nếu không, vật lạ sẽ bị thổi vào mắt, có thể dẫn đến thương tích cá nhân.

Thay thế túi lọc khi đã đầy hoặc bị nghẽn. Mở nắp hộp chứa bụi và mở chốt hãm, sau đó lấy túi lọc ra. Kéo dài băng ở phía khe hở để kẹp túi lọc hoặc xả toàn bộ túi lọc.

▶ **Hình13:** 1. Chốt gai 2. Băng

CHÚ Ý: Không sử dụng túi lọc đã qua sử dụng. Túi lọc được thiết kế để sử dụng một lần. Sử dụng túi lọc nhiều lần có thể gây tắc nghẽn bộ lọc và dẫn đến hỏng máy hút bụi. Nếu bạn muốn sử dụng túi nhiều lần, hãy sử dụng túi chứa bụi.

MÔ TẢ CHỨC NĂNG

⚠ THẬN TRỌNG: Luôn đảm bảo rằng đã tắt thiết bị và tháo hộp pin ra trước khi thực hiện việc điều chỉnh hoặc kiểm tra chức năng trên dụng cụ.

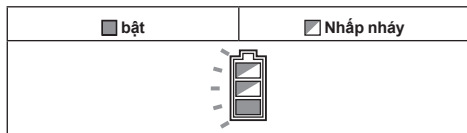
Hệ thống bảo vệ dụng cụ / pin

Dụng cụ này được trang bị hệ thống bảo vệ dụng cụ / pin. Hệ thống này sẽ tự động ngắt nguồn điện đến động cơ để kéo dài tuổi thọ dụng cụ và pin. Dụng cụ sẽ tự động dừng vận hành khi dụng cụ hoặc pin ở một trong những trường hợp sau đây:

Bảo vệ quá tải

Khi vận hành dụng cụ trong điều kiện làm máy tiêu tốn dòng cao bất thường, dụng cụ sẽ tự động dừng lại mà không có bất cứ dấu hiệu nào. Trong trường hợp này, hãy tắt dụng cụ và ngừng ứng dụng làm cho dụng cụ trở nên quá tải. Sau đó bật dụng cụ lên để khởi động lại.

Bảo vệ quá nhiệt



Khi bị quá nhiệt, dụng cụ sẽ tự động dừng, và đèn chỉ báo pin sẽ nhấp nháy khoảng 60 giây. Trong tình huống này, hãy để dụng cụ nguội lại dần trước khi bật dụng cụ một lần nữa.

Bảo vệ xả điện quá mức
















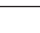


Khi dung lượng pin yếu, thì dụng cụ sẽ tự động dừng. Nếu sản phẩm không vận hành ngay cả khi vận hành công tắc, hãy tháo pin ra khỏi dụng cụ và sạc pin.

Chỉ báo dung lượng pin còn lại

Chỉ dành cho hộp pin có đèn chỉ báo

▶ **Hình14:** 1. Các đèn chỉ báo 2. Nút Check (kiểm tra)

Ấn nút check (kiểm tra) trên hộp pin để chỉ báo dung lượng pin còn lại. Các đèn chỉ báo bật sáng lên trong vài giây.

Các đèn chỉ báo			Dung lượng còn lại
 Bật sáng	 Tắt	 Nhấp nháy	
			75% đến 100%
			50% đến 75%
			25% đến 50%
			0% đến 25%
			Sạc pin.
 	 	 	Pin có thể đã bị hỏng.

LƯU Ý: Tùy thuộc vào các điều kiện sử dụng và nhiệt độ xung quanh, việc chỉ báo có thể khác biệt một chút so với dung lượng thực sự.

LƯU Ý: Đèn chỉ báo (phía xa bên trái) đầu tiên sẽ nhấp nháy khi hệ thống bảo vệ pin hoạt động.

Bảng chỉ thị

▶ **Hình15:** 1. Chế độ vận hành 2. Mức độ bụi quá mức 3. Lỗi trực lẫn bàn chải 4. Dung lượng pin còn lại 5. Nút kiểm tra pin / đèn LED

Chế độ vận hành

Để thay đổi chế độ vận hành, tham khảo phần hoạt động công tắc.

Mức độ bụi quá mức

Nếu đèn chỉ báo này sáng lên, hãy thay túi lọc. (Tham khảo phần tháo túi lọc.)

LƯU Ý: Đèn chỉ báo này không hoạt động khi thiết bị vận hành ở chế độ "mức độ tiếng ồn (1)".

LƯU Ý: Đèn chỉ báo này có thể không hoạt động tùy vào môi trường sử dụng.

LƯU Ý: Đèn chỉ báo sẽ tự động tắt sau khoảng một phút từ khi thiết bị được tắt. Nếu bạn làm thông chỗ tắc nghẽn của túi lọc và khởi động lại thiết bị, đèn chỉ báo sẽ tắt ngay trong vòng một phút.

Lỗi trực lẫn bàn chải







Nhấp nháy	Trực lẫn bàn chải chịu mức tải cao vì một số lý do.
Bật	Các trực lẫn bàn chải dừng bởi lý do bất thường.

⚠ CẢNH BÁO: Tắt ngay thiết bị khi đèn này sáng trong quá trình vận hành. Nếu không, trực trực động cơ có thể xảy ra và gây ra hỏa hoạn.

Dung lượng pin còn lại

Trong quá trình vận hành, nhấn nút kiểm tra pin / đèn LED để biết dung lượng pin còn lại. Đèn chỉ báo pin tương ứng với từng loại pin.

► **Hình16**

Trạng thái đèn chỉ báo pin			Dung lượng pin còn lại
Bật	Tắt	Nhấp nháy	
			50% đến 100%
			20% đến 50%
			0% đến 20%
			Sạc pin

Nút kiểm tra pin / đèn LED

Trong quá trình vận hành, các thao tác sau đây có thể được thực hiện.

- Ấn nhẹ nút để kiểm tra dung lượng pin còn lại.
- Nhấn giữ nút bật / tắt đèn LED.

Hoạt động công tắc

► **Hình17:** 1. Nút ON (BẬT) / thay đổi chế độ 2. Nút OFF (TẮT)

Bật/tắt thiết bị

Để khởi động thiết bị, chỉ cần nhấn nút ON (BẬT) / thay đổi chế độ. Để tắt, nhấn nút OFF (TẮT).

⚠ THẬN TRỌNG: Luôn đặt đầu của thiết bị trên sàn khi bật thiết bị. Nếu không, có thể xảy ra tai nạn do vướng víu và gây thương tích cá nhân.

Thay đổi chế độ vận hành

Bạn có thể thay đổi chế độ vận hành theo ba bước: "mức độ tiếng ồn (1)", "thường (2)", và "cao (3)".

Nếu bạn muốn thay đổi chế độ vận hành, nhấn nút ON (BẬT) / thay đổi chế độ khi thiết bị đang chạy. Chế độ vận hành chuyển đổi theo thứ tự "mức độ tiếng ồn (1)", "thường (2)", và "cao (3)".

Thiết bị sẽ khởi động với cùng chế độ đã cài đặt trước đó.

Bật sáng đèn LED

⚠ THẬN TRỌNG: Đừng nhìn thẳng trực tiếp vào đèn hoặc nguồn sáng.

Thiết bị này được trang bị đèn LED.

Xem phân đoạn của nút kiểm tra pin / đèn LED để vận hành.

► **Hình18:** 1. Đèn LED

Bàn đạp

⚠ THẬN TRỌNG: Luôn khóa thiết bị ở vị trí thẳng đứng khi bạn buông tay cầm. Nếu không thiết bị có thể vô tình rơi ra và gây thương tích.

⚠ THẬN TRỌNG: Cần thận không để ngón tay bạn bị kẹt giữ thân máy và đầu thiết bị.

Để mở khóa vị trí thẳng đứng của thiết bị, bước lên bàn đạp và kéo tay cầm về phía sau.

Phạm vi chuyển động là 90 độ từ vị trí thẳng đứng.

► **Hình19:** 1. Bàn đạp

Để khóa thiết bị ở vị trí thẳng đứng, hãy nâng tay cầm về phía trước cho đến khi bàn đạp khóa vị trí bằng tiếng cách.

► **Hình20**

LƯU Ý: Trong khi thiết bị ở vị trí thẳng đứng, trực lẫn bàn chải sẽ dừng quay.

Điều chỉnh chiều cao của trực lẫn bàn chải

⚠ THẬN TRỌNG: Luôn đảm bảo rằng cần điều chỉnh đã vào đúng vị trí trước khi vận hành.

Chiều cao của trực lẫn bàn chải có thể được điều chỉnh theo 4 bước.

Xoay cần điều chỉnh theo chiều cao mà bạn mong muốn.

Khi cần điều chỉnh chỉ vạch A, trực lẫn bàn chải được đặt ở điểm thấp nhất trên sàn và phù hợp để làm sạch sàn cứng và thảm lông ngắn. Khi cần điều chỉnh chỉ vạch B, trực lẫn bàn chải được đặt ở điểm cao nhất trên sàn và phù hợp để làm sạch thảm lông dài.

► **Hình21:** 1. Cần điều chỉnh

LƯU Ý: trực lẫn bàn chải có thể không xoay nếu chiều cao của bàn chải quá thấp so với bề mặt của thảm.

Tay cầm

Khi mang thiết bị, chỉ đẩy thiết bị bằng bánh đai hoặc mang thiết bị bằng cách nắm (các) tay cầm di chuyển.

► **Hình22**

⚠ THẬN TRỌNG: Khi mang thiết bị, khóa thiết bị ở vị trí thẳng đứng. Nếu không có thể xảy ra tai nạn rơi ngã.

⚠ THẬN TRỌNG: Không mang thiết bị đi kèm với bất cứ thứ gì khác ngoài tay cầm di chuyển. Nếu không có thể xảy ra tai nạn rơi ngã và việc vô tình khởi động động cơ có thể dẫn đến chấn thương.

► **Hình23**

VẬN HÀNH

⚠ THẬN TRỌNG: Không kéo đầu nối tay cầm ra khỏi thiết bị trong quá trình vận hành. Làm như vậy có thể gây máy kiểm soát thiết bị và gây ra chấn thương nghiêm trọng.

⚠ THẬN TRỌNG: Không để tay hoặc chân của bạn bên dưới thiết bị trong quá trình vận hành. Nếu không có thể xảy ra sự chèn ép.

Vận hành làm sạch thông thường

1. Cầm tay cầm, rồi sau đó mở khóa ở vị trí thẳng đứng.
2. Bật thiết bị. Làm sạch sàn.

► **Hình24**

Sử dụng bàn chải quét cạnh

Bàn chải quét cạnh rất tiện lợi cho việc làm sạch góc tường.

Nếu bàn chải quét cạnh ngắn, hãy mang thiết bị đến trung tâm dịch vụ Makita để thay thế

► **Hình25:** 1. Bàn chải quét cạnh

Vận hành với phụ kiện

⚠ THẬN TRỌNG: Giữ tay cầm khi sử dụng phụ kiện. Nếu không thiết bị có thể vô tình rơi ra và gây thương tích.

CHÚ Ý: Khi sử dụng phụ kiện, khóa thiết bị ở vị trí thẳng đứng. Nếu không, vòng quay của trục lăn bàn chải có thể làm hỏng sàn.

Sử dụng ống nhôm

Ống nhôm thích hợp để làm sạch các khu vực hẹp, hoặc những nơi trên cao.

► **Hình26:** 1. Ống nhôm

Sử dụng ống nối

Ống nối thích hợp để làm sạch nơi gần bàn tay của bạn.

► **Hình27:** 1. Ống dẫn

Để sử dụng ống nối, vừa kéo ống nhôm ra khỏi ống vừa đẩy cần gạt.

Để lắp ống nối, chèn ống nối vào ống nhôm cho đến khi nghe tiếng cách.

► **Hình28:** 1. Cần gạt

Sử dụng phụ tùng

► **Hình29**

Để lắp phụ tùng, vận và lắp chặt ống nhôm hoặc ống dẫn. Để tháo ra, hãy vận và rút ra.

BẢO TRÌ

⚠ THẬN TRỌNG: Luôn đảm bảo rằng đã tắt thiết bị và tháo hộp pin trước khi cố gắng thực hiện việc kiểm tra hay bảo dưỡng.

CHÚ Ý: Không được phép dùng xăng, ét xăng, dung môi, cồn hoặc hóa chất tương tự. Có thể xảy ra hiện tượng mất màu, biến dạng hoặc nứt vỡ.

Để đảm bảo ĐỘ AN TOÀN và ĐỘ TIN CẬY của sản phẩm, việc sửa chữa hoặc bất cứ thao tác bảo trì, điều chỉnh nào đều phải được thực hiện bởi các Trung tâm Dịch vụ Nhà máy hoặc Trung tâm được Makita Ủy quyền và luôn sử dụng các phụ tùng thiết bị thay thế của Makita.

Cất giữ

Khi cất giữ, hãy tháo hộp pin và cất thiết bị ở những nơi bằng phẳng ở vị trí thẳng đứng.

► **Hình30**

Làm sạch thân thiết bị

Thỉnh thoảng lau sạch bên ngoài (thân máy hút bụi) bằng vải đã làm ẩm bằng nước xà phòng.

► **Hình31**

Làm sạch bộ lọc khí HEPA

⚠ THẬN TRỌNG: Không sử dụng máy hút bụi không có bộ lọc hoặc tiếp tục sử dụng khi bộ lọc bẩn hoặc hư hỏng. Bụi và các hạt bụi đã được hút có thể bay ra khỏi máy hút bụi và chúng có thể gây ra bệnh đường hô hấp cho người vận hành.

CHÚ Ý: Để giữ công suất hút và xả sạch tối ưu, hãy làm sạch bộ lọc định kỳ. Nếu không đạt được đủ công suất hút ngay cả sau khi làm sạch, hãy thay thế bộ lọc bằng cái mới.

CHÚ Ý: Để tránh bộ lọc bị hư hỏng, không sử dụng các dụng cụ sau đây và các vật tương tự để làm sạch:

- Máy hút bụi
- Máy xịt rửa cao áp
- Dụng cụ làm bằng vật liệu cứng như chổi kim loại

1. Mở hộp chứa bụi và lấy túi lọc ra.

Nhả móc treo trên bộ lọc và tháo móc treo ra khỏi thân máy.

► **Hình32:** 1. Móc treo

2. Đập bụi ra khỏi bộ lọc. Có thể rửa bộ lọc bằng nước. Rửa sạch bụi và các hạt bụi trên bộ lọc mỗi 1 hoặc 2 tháng. Sau đó, phơi khô bộ lọc hoàn toàn ở nơi râm mát và thông thoáng để tránh mùi khó chịu hoặc hư hỏng.

3. Để lắp đặt bộ lọc, lắp bên không có móc treo vào rãnh sau đó đẩy vào bộ lọc cho đến khi móc treo được cố định vào vị trí với tiếng cách.

► **Hình33:** 1. Rãnh 2. Bộ lọc khí HEPA 3. Móc treo

Làm sạch trục lăn bàn chải

1. Tháo tấm đáy, và sau đó tháo trục lăn bàn chải.

Nếu lông của trục lăn bàn chải qua ngắn, hãy nhờ trung tâm dịch vụ Makita để thay mới.

Vận hành thiết bị với trục lăn bàn chải lông ngắn sẽ dẫn đến sức hút bụi kém.

► **Hình34:** 1. Tấm đáy 2. Trục lăn bàn chải

2. Loại bỏ các sợi và lông từ trục lăn bàn chải bằng kéo.

Tháo nắp và làm sạch các mảnh vụn.

► **Hình35:** 1. Nắp

3. Cài đặt nắp, trục lăn bàn chải và tấm đáy theo thứ tự ngược lại.

► **Hình36**

⚠ THẬN TRỌNG: Gắn tấm đáy vào hết mức. Nếu thiết bị được vận hành mà không có tấm đáy, trục lăn bàn chải có thể rơi ra và gây thương tích.

CHÚ Ý: Luôn gắn trục lăn bàn chải. Vận hành thiết bị mà không có trục lăn bàn chải sẽ dẫn đến sức hút bụi kém.

Cách vệ sinh tắc nghẽn

CHÚ Ý: Không vận hành thiết bị khi đường dẫn nạp bụi bị tắc. Tiếp tục sử dụng với đường dẫn nạp bụi bị tắc sẽ làm giảm công suất hút.

1. Tháo tấm đáy, và sau đó tháo trục lăn bàn chải.
2. Tháo ống nhôm ra khỏi thiết bị và ra khỏi ống nối.
3. Xoay ống nối ngược chiều kim đồng hồ, sau đó tháo ống nối ra khỏi thiết bị.
4. Tháo ống hút bằng cách kéo chốt.
► **Hình37:** 1. Ống hút 2. Chốt
5. Kiểm tra đường dẫn nạp bụi vào bên trong ống nhôm và ống nối, và ống hút.
Làm sạch các mảnh vụn bên trong.
6. Căn chỉnh phần chốt nhô ra ống hút thẳng hàng với phần rãnh nằm trên vỏ và trượt vào vị trí.
► **Hình38:** 1. Chốt nhô ra 2. Rãnh
7. Lắp ống nối, ống nhôm, trục lăn bàn chải và tấm đáy.

⚠ THẬN TRỌNG: Lắp ống nối, ống nhôm thật chặt. Nếu không có thể xảy ra rò rỉ bụi và gây thương tích.

XỬ LÝ SỰ CỐ

Trước khi yêu cầu sửa chữa, đầu tiên hãy tự tiến hành kiểm tra của riêng bạn. Nếu bạn phát hiện vấn đề nào đó không được giải thích trong sách hướng dẫn sử dụng này, đừng cố tháo rời máy. Thay vào đó, hãy nhờ Trung tâm dịch vụ Makita được ủy quyền, luôn sử dụng bộ phận thay thế của Makita để sửa chữa.

Hiện tượng	Nguyên nhân có thể xảy ra	Biện pháp khắc phục
Không hoạt động	Hộp pin được lắp không đúng cách.	Lắp hộp pin như mô tả trong sách hướng dẫn này.
	Hộp pin đã cạn.	Sạc hộp pin.
	Lắp tay cầm không đúng cách.	Lắp thật chắc tay cầm như mô tả trong sách hướng dẫn này.
Trục lăn bàn chải không quay	Khóa thiết bị ở vị trí thẳng đứng.	Mở khóa vị trí thẳng đứng của thiết bị.
	Đèn chỉ báo lỗi trục lăn bàn chải đang sáng.	Kiểm tra xem có vướng vùi xung quanh trục lăn bàn chải (thân máy, nắp và khớp nối) không.
Lực hút yếu	Đèn chỉ báo mức độ bụi quá mức đang sáng.	Thay túi lọc. Nếu túi lọc chưa đầy, hãy kéo mở túi lọc và lắc để loại bỏ tắc nghẽn.
	⇒ Nếu thay túi lọc không giải quyết được vấn đề...	Làm sạch hoặc thay thế bộ lọc khí HEPA. Kiểm tra xem có mảnh vụn bị tắc trong ống nối và ống nhôm không.
	Các mảnh vụn bị vướng vào trục lăn bàn chải và tốc độ quay bị giảm.	Kiểm tra xem có vướng vùi xung quanh trục lăn bàn chải (thân máy, nắp, khớp nối) không.
	Chiều cao của trục lăn bàn chải quá cao so với sàn nhà.	Hạ thấp chiều cao của trục lăn bàn chải.
	Lông của trục lăn bàn chải bị ngắn.	Thay trục lăn bàn chải. Hạ thấp chiều cao của trục lăn bàn chải.
	Thiết bị đang vận hành ở chế độ thấp.	Đổi sang chế độ vận hành cao hơn.
	Chưa lắp trục lăn bàn chải.	Lắp trục lăn bàn chải.
	Ống nhôm hoặc ống nối đã lắp vào đúng cách.	Lắp ống nhôm hoặc ống nối thật chặt.
	Tiếng ồn truyền động lớn	Thiết bị đang vận hành ở chế độ cao.
Các mảnh vụn bị vướng vào trục lăn bàn chải.		Kiểm tra xem có vướng vùi xung quanh trục lăn bàn chải (thân máy, nắp và khớp nối) không.
Túi lọc đầy bụi.		Thay túi lọc.
⇒ Nếu thay túi lọc không giải quyết được vấn đề...		Làm sạch hoặc thay thế bộ lọc khí HEPA. Kiểm tra xem có mảnh vụn bị tắc trong ống nối và ống nhôm không.
Đèn chỉ báo mức độ bụi quá mức nhấp nháy sau khi sử dụng vài phút	Túi lọc bị gấp lại.	Trải rộng miệng của túi lọc ra trước khi cài đặt nó.
Đèn LED không sáng lên	Cài đặt đèn LED bị tắt.	Trong quá trình vận hành, nhấn giữ nút kiểm tra pin / đèn LED để bật đèn LED.
Bánh đai khó di chuyển	Các mảnh vụn bị vướng vào bánh đai.	Làm sạch mảnh vụn bám trên bánh đai.

PHỤ KIỆN TỰ CHỌN

⚠ THẬN TRỌNG: Các phụ kiện hoặc phụ tùng gắn thêm này được khuyến cáo sử dụng với dụng cụ Makita của bạn theo như quy định trong hướng dẫn này. Việc sử dụng bất cứ phụ kiện hoặc phụ tùng gắn thêm nào khác đều có thể gây ra rủi ro thương tích cho người. Chỉ sử dụng phụ kiện hoặc phụ tùng gắn thêm cho mục đích đã quy định sẵn của chúng.

Nếu bạn cần bất kỳ sự hỗ trợ nào để biết thêm chi tiết về các phụ tùng này, hãy hỏi Trung tâm Dịch vụ của Makita tại địa phương của bạn.

- Vòi hút góc
- Bàn chải tròn
- Bộ lọc khí HEPA
- Túi lọc
- Pin và bộ sạc chính hãng của Makita

LƯU Ý: Một số mục trong danh sách có thể được bao gồm trong gói dụng cụ làm phụ kiện tiêu chuẩn. Các mục này ở mỗi quốc gia có thể khác nhau.

คำเตือน

- เครื่องนี้ไม่ได้ออกแบบมาเพื่อให้ใช้งานโดยบุคคล (รวมถึงเด็ก) ที่มีความบกพร่องทางร่างกาย ประสาทสัมผัส หรือจิตใจ หรือขาดประสบการณ์และความรู้
- เด็กควรอยู่ในความดูแลเพื่อให้มั่นใจว่าจะไม่มาเล่นที่ตู้ดูดฝุ่น
- โปรดอ้างอิงบท “ข้อมูลจำเพาะ” สำหรับอ้างอิงประเภทแบตเตอรี่
- โปรดอ้างอิงส่วน “การติดตั้งหรือการถอดกลับแบตเตอรี่” สำหรับวิธีถอดหรือติดตั้งแบตเตอรี่
- เมื่อกำจัดกลับแบตเตอรี่ ให้ถอดกลับแบตเตอรี่ออกจากเครื่องมือและกำจัดในสถานที่ที่ปลอดภัย ปฏิบัติตามข้อบังคับเกี่ยวกับการกำจัดแบตเตอรี่ที่บังคับใช้ในท้องถิ่น
- หากไม่ใช้เครื่องมือเป็นระยะเวลานาน จะต้องถอดแบตเตอรี่ออกจากเครื่องมือ
- อย่าลัดวงจรกลับแบตเตอรี่
- โปรดอ้างอิงบท “การบำรุงรักษา” สำหรับรายละเอียดข้อควรระวังในระหว่างการซ่อมบำรุง

ข้อมูลจำเพาะ

รุ่น:	DVC560
ปริมาตรอากาศสูงสุด *	1.9 m ³ /min
เครื่องดูด *	12 kPa
ความสามารถในการเจาะ	5 L
ขนาด (ยาว x กว้าง x สูง)	326 mm x 318 mm x 1,146 mm
แรงดันไฟฟ้าสูงสุด	D.C. 36 V
น้ำหนักสุทธิ	8.3 - 9.0 kg

- * ค่าวัดโดยวิธีการดั้งเดิมของเรา
- เนื่องจากการค้นคว้าวิจัยและพัฒนาอย่างต่อเนื่อง ข้อมูลจำเพาะในเอกสารฉบับนี้อาจเปลี่ยนแปลงได้โดยไม่ต้องแจ้งให้ทราบล่วงหน้า
- ข้อมูลจำเพาะและดัลบแบตเตอรี่อาจแตกต่างกันไปในแต่ละประเทศ
- น้ำหนักที่ระบุนี้รวมอุปกรณ์เสริม (แปรงกลม, หัวดูดฝุ่นสำหรับมุมอับ) และดัลบแบตเตอรี่ น้ำหนักของเครื่องและดัลบแบตเตอรี่รวมกันที่น้อยที่สุดและมากที่สุดแสดงอยู่ในตาราง

ดัลบแบตเตอรี่และเครื่องชาร์จที่ใช้ได้

ดัลบแบตเตอรี่	BL1815N / BL1820B / BL1830B / BL1840B / BL1850B / BL1860B
เครื่องชาร์จ	DC18RC / DC18RD / DC18RE / DC18SD / DC18SE / DC18SF / DC18SH

- ดัลบแบตเตอรี่และเครื่องชาร์จบางรายการที่แสดงอยู่ด้านบนอาจไม่มีวางจำหน่ายขึ้นอยู่กับภูมิภาคที่คุณอาศัยอยู่

⚠ คำเตือน: ใช้ดัลบแบตเตอรี่และเครื่องชาร์จที่ระบุไว้ข้างบนเท่านั้น การใช้ดัลบแบตเตอรี่และเครื่องชาร์จประเภทอื่นอาจก่อให้เกิดความเสี่ยงที่จะได้รับบาดเจ็บและ/หรือเกิดไฟไหม้

สัญลักษณ์

ต่อไปนี้เป็นสัญลักษณ์ที่อาจใช้สำหรับอุปกรณ์ โปรดศึกษาความหมายของสัญลักษณ์ให้เข้าใจก่อนการใช้งาน



อ่านคู่มือการใช้งาน



ใช้ความระมัดระวังและความสนใจเป็นพิเศษ



Ni-MH
Li-ion

สำหรับประเทศในสหภาพยุโรปเท่านั้น เนื่องจากในอุปกรณ์มีส่วนประกอบอันตราย ขยะจำพวกอุปกรณ์ไฟฟ้า และอิเล็กทรอนิกส์ แบตเตอรี่ และหม้อแบตเตอรี่จึงอาจส่งผลกระทบต่อสิ่งแวดล้อมและสุขภาพของมนุษย์ในเชิงลบ อย่างไรก็ตามการใช้ไฟฟ้าและอิเล็กทรอนิกส์ หรือแบตเตอรี่ร่วมกับวัสดุเหลือทิ้งในครัวเรือน! เพื่อให้เป็นไปตามกฎระเบียบของยุโรปว่าด้วยขยะจำพวกอุปกรณ์ไฟฟ้าและอิเล็กทรอนิกส์ และหม้อสะสมไฟฟ้าและแบตเตอรี่ และขยะจำพวกหม้อสะสมไฟฟ้าและแบตเตอรี่ รวมถึงการบังคับใช้ตามกฎหมายภายในประเทศ ควรมีการจัดเก็บขยะจำพวกอุปกรณ์ไฟฟ้า แบตเตอรี่ และหม้อสะสมไฟฟ้าแยกต่างหากและส่งไปยังจุดรับขยะต่างหากในเขตเทศบาลซึ่งมีการดำเนินการตามระเบียบว่าด้วยการดูแลสิ่งแวดล้อม โดยระบุด้วยสัญลักษณ์เส้นคาดขวางรูปถังขยะแบบมีล้อไว้บนอุปกรณ์

จุดประสงค์การใช้งาน

เครื่องใช้นี้ใช้สำหรับตากผ้าแบบแห้ง เครื่องใช้นี้เหมาะสำหรับการใช้งานในเชิงพาณิชย์ ตัวอย่างเช่น ในโรงแรม โรงเรียน โรงพยาบาล โรงงาน ร้านอาหาร สำนักงาน และธุรกิจให้เช่าต่างๆ

คำเตือนด้านความปลอดภัย

คำเตือนด้านความปลอดภัยของเครื่องดูดฝุ่น สะพายหลังไร้สาย

⚠ คำเตือน: ข้อควรจำ โปรดอ่านคำเตือนด้านความปลอดภัยและคำแนะนำทั้งหมดอย่างละเอียดก่อนใช้งาน การไม่ปฏิบัติตามคำเตือนและคำแนะนำดังกล่าวอาจส่งผลให้ไฟฟ้าช็อต ไฟไหม้ และ/หรือได้รับบาดเจ็บร้ายแรง

1. ก่อนใช้งาน ตรวจสอบให้แน่ใจว่าเครื่องดูดฝุ่นนี้จะถูกใช้งานโดยผู้ที่ได้รับการฝึกใช้เครื่องดูดฝุ่นนี้มาอย่างเพียงพอ
2. ห้ามใช้งานหากไม่ได้ใส่ถุงกรอง และ/หรือตัวกรองไว้ เปลี่ยนตัวกรองที่ชำรุดทันที
3. หลีกเลี่ยงไม่ให้เปิดใช้งานโดยไม่ตั้งใจ ตรวจสอบให้แน่ใจว่าสวิตช์เป็น OFF ขณะใส่แบตเตอรี่
4. อย่าพยายามดูดวัสดุไวไฟ ดอกไม้ ฟู พูหรีที่จุดไฟอยู่ ชี้อากาศ เศษโลหะร้อน วัสดุมีคม เช่น มีดโกน เข็ม แก้วแตก หรือสิ่งที่คล้ายกันนี้
5. ห้ามใช้งานเครื่องดูดฝุ่นในบริเวณที่ใกล้กับแก๊สโซลีน แก๊ส สี กาว หรือวัตถุอื่นที่มีความเสี่ยงจะระเบิดสูง เนื่องจากสวิตช์จะเกิดประกายไฟขณะเปิดและปิด เช่นเดียวกับกับคอมมิวเตเตอร์ของมอเตอร์ในระหว่างการใช้งาน ซึ่งอาจส่งผลให้เกิดการระเบิดที่เป็นอันตรายได้
6. เครื่องดูดฝุ่นนี้ไม่เหมาะสำหรับใช้เก็บฝุ่นที่เป็นอันตราย
7. ห้ามดูดวัสดุเป็นพิษ วัสดุก่อมะเร็ง วัสดุติดไฟได้ หรือวัสดุอื่นๆ ที่เป็นอันตราย เช่น แร่ใยหิน สารหนู แบเรียม เบริลเลียม ตะกั่ว ยาฆ่าแมลง หรือวัสดุอื่นๆ ที่เป็นอันตรายต่อสุขภาพ
8. ห้ามใช้ในที่กลางแจ้งหรือพื้นผิวที่เปียกชื้น
9. สำหรับฟินแลนด์ เครื่องนี้ไม่สามารถใช้งานนอกบ้านในอุณหภูมิต่ำได้
10. อย่าใช้งานเครื่องใช้ใกล้กับแหล่งความร้อน (เตาไฟ ฯลฯ)
11. อย่าปิดกั้นช่องระบายอากาศของช่องดูดเข้า/ช่องปล่อยลมออก/ช่องระบายความร้อน ช่องระบายอากาศเหล่านี้ช่วยทำให้มอเตอร์เย็นลง จึงควรระมัดระวังเพื่อหลีกเลี่ยงการปิดกั้นช่องดังกล่าว ไม่เช่นนั้นมอเตอร์อาจไหม้เนื่องจากการระบายอากาศไม่เพียงพอ
12. อย่าพับ ดึง หรือเหยียบบนท่อ

13. หยุดเครื่องดูดฝุ่นทันที หากคุณสังเกตเห็นว่าประสิทธิภาพการทำงานของเครื่องลดลงหรือมีความผิดปกติใดๆ ระหว่างการปฏิบัติงาน
14. ถอดแบตเตอรี่ เมื่อไม่ได้ใช้ ก่อนการซ่อมแซม และเมื่อเปลี่ยนอุปกรณ์ต่างๆ
15. ทำความสะอาดและบำรุงรักษาเครื่องดูดฝุ่นทันทีหลังการใช้แต่ละครั้งเพื่อการรักษาสภาพการทำงานของเครื่องที่ดีที่สุด
16. ดูแลรักษาเครื่องดูดฝุ่นด้วยความใส่ใจ โดยดูแลให้เครื่องดูดฝุ่นสะอาดอยู่เสมอเพื่อประสิทธิภาพการทำงานที่ดีและปลอดภัยยิ่งขึ้น ปฏิบัติตามคำแนะนำสำหรับการเปลี่ยนอุปกรณ์เสริม ดูแลมอเตอร์ให้แห้งสะอาด และไม่ม้วนน้ำมันและจารบีเปื้อน
17. ตรวจสอบส่วนที่เสียหาย ก่อนใช้งานเครื่องดูดฝุ่นในครั้งต่อไป ควรตรวจสอบที่ป้องกันหรือชิ้นส่วนอื่นๆ ที่ชำรุดอย่างละเอียดเพื่อให้แน่ใจว่าส่วนต่างๆ จะทำงานได้อย่างเหมาะสมและทำงานได้ตามฟังก์ชันที่ระบุไว้ ตรวจสอบการวางแนวของชิ้นส่วนเคลื่อนที่ การติดขัดของชิ้นส่วนเคลื่อนที่ ความเสียหายของชิ้นส่วน การติดตั้ง และสภาพอื่นๆ ที่อาจส่งผลกระทบต่อการทำงานของเครื่อง ควรนำที่ป้องกันหรือชิ้นส่วนอื่นที่ชำรุดเข้ารับการซ่อมแซมหรือเปลี่ยนใหม่อย่างเหมาะสมโดยศูนย์บริการที่ได้รับการรับรองหรือที่อื่นๆ ที่ระบุไว้ในคู่มือการใช้งานนี้ ให้ศูนย์บริการที่ได้รับการรับรองเป็นผู้เปลี่ยนสวิตช์ที่ชำรุด อย่าใช้งานเครื่องดูดฝุ่นหากสวิตช์ไม่ปิดหรือเปิดอย่างเหมาะสม
18. อดไหล่ทดแทน เมื่อบำรุงรักษา ให้ใช้อะไหล่ทดแทนที่เหมือนกันกับของเดิมเท่านั้น
19. การเก็บรักษาเครื่องดูดฝุ่นที่ไม่ได้ใช้งาน เมื่อไม่ใช้งาน ควรเก็บเครื่องดูดฝุ่นไว้ในที่ร่ม
20. ใช้เครื่องดูดฝุ่นด้วยความระมัดระวัง การใช้เครื่องดูดฝุ่นอย่างรุนแรงอาจทำให้เครื่องดูดฝุ่นที่แม้จะผลิตขึ้นอย่างแข็งแกร่งที่สุดแล้วเกิดความเสียหายได้
21. อย่าพยายามทำความสะอาดพื้นผิวภายนอกและภายในของเครื่องด้วยเบนซิน ทินเนอร์ หรือสารเคมีสำหรับทำความสะอาด เนื่องจากอาจทำให้เกิดการรั่วหรือเปลี่ยนสีได้
22. อย่าใช้เครื่องดูดฝุ่นในพื้นที่ที่มีไอระเหยที่ไวไฟ เกิดการระเบิดได้ หรือเป็นพิษซึ่งถูกปล่อยออกจากสีที่มีส่วนผสมหลักเป็นน้ำมัน ทินเนอร์ผสมสี แก๊สโซลีน หรือสารป้องกันแมลงบางชนิด ทราย หรือในบริเวณที่มีฝุ่นที่ติดไฟได้
23. อย่าใช้งานเครื่องดูดฝุ่นหรือเครื่องมืออื่นๆ ขณะมีนเมา ยาเสพติดหรือสุรา
24. สวมใส่อุปกรณ์ป้องกันที่เหมาะสม เช่น หน้ากาก โดยขึ้นอยู่กับสภาพแวดล้อมในการใช้งาน
25. เครื่องนี้ไม่ได้ออกแบบมาเพื่อให้ใช้งานโดยบุคคล (รวมถึงเด็ก) ที่มีความบกพร่องทางร่างกาย ประสาทสัมผัส หรือจิตใจ หรือขาดประสบการณ์และความรู้
26. เด็กควรอยู่ในความดูแลเพื่อให้มั่นใจว่าจะไม่มาเล่นที่ดูดฝุ่น
27. ห้ามจับแบตเตอรี่และเครื่องดูดฝุ่นด้วยมือเปียก
28. ใช้ความระมัดระวังให้มากเมื่อทำความสะอาดบนได
29. รักษาที่ยืนและการทรงตัวที่เหมาะสมเสมอ
30. อย่าใช้เครื่องดูดฝุ่นเป็นม้านั่งหรือม้านั่งทำงาน เนื่องจากเครื่องอาจล้มลงและทำให้ได้รับบาดเจ็บได้
31. ดูแลส่วนต่างๆ ของร่างกายและเสื้อผ้าให้อยู่ห่างจากช่องเปิดและชิ้นส่วนเคลื่อนที่ เช่น แปรงม้วนที่กำลังหมุนอยู่ ไม่เช่นนั้น สิ่งดังกล่าวอาจเข้าไปติดในเครื่องใช้และทำให้เกิดการบาดเจ็บได้

การใช้งานและดูแลเครื่องมือที่ใช้แบตเตอรี่

1. ชาร์จไฟใหม่ด้วยเครื่องชาร์จที่ระบุโดยผู้ผลิตเท่านั้น เครื่องชาร์จที่เหมาะสมสำหรับชุดแบตเตอรี่ประเภทหนึ่ง อาจเสี่ยงที่จะเกิดไฟไหม้หากนำไปใช้กับชุดแบตเตอรี่อีกประเภทหนึ่ง
2. ใช้เครื่องมือไฟฟ้ากับชุดแบตเตอรี่ที่กำหนดมาโดยเฉพาะเท่านั้น การใช้ชุดแบตเตอรี่ประเภทอื่นอาจทำให้เสี่ยงที่จะได้รับบาดเจ็บและเกิดไฟไหม้
3. เมื่อไม่ใช้งานชุดแบตเตอรี่ ให้เก็บห่างจากวัตถุที่เป็นโลหะอื่นๆ เช่น คลิปหนีบกระดาษ เหรียญ กุญแจ กรรไกรตัดเล็บ สกรู หรือวัตถุที่เป็นโลหะขนาดเล็กอื่นๆ ที่สามารถเชื่อมต่อกับขั้วหนึ่งกับอีกขั้วหนึ่งได้ การลัดวงจรขั้วแบตเตอรี่อาจทำให้ร้อนจัดหรือเกิดไฟไหม้
4. ในกรณีที่ใช้งานไม่ถูกต้อง อาจมีของเหลวไหลออกจากแบตเตอรี่ ให้หลีกเลี่ยงการสัมผัส หากสัมผัสโดนของเหลวโดยไม่ได้ตั้งใจ ให้ล้างออกด้วยน้ำ หากของเหลวกระเด็นเข้าตา ให้รีบไปพบแพทย์ ของเหลวที่ไหลออกจากแบตเตอรี่อาจทำให้ผิวหนังระคายเคืองหรือไหม้
5. ห้ามใช้ชุดแบตเตอรี่หรือเครื่องมือที่ชำรุดหรือมีการแก้ไข แบตเตอรี่ที่เสียหายหรือมีการแก้ไขอาจทำให้เกิดสิ่งที่ไม่ถึงได้ เช่น ไฟไหม้ ระเบิด หรือเสี่ยงต่อการบาดเจ็บ
6. ห้ามให้ชุดแบตเตอรี่อยู่ใกล้ไฟ หรือบริเวณที่มีอุณหภูมิสูงเกิน หากโดนไฟ หรืออุณหภูมิสูงเกิน 130 °C อาจก่อให้เกิดการระเบิดได้

7. กรุณาปฏิบัติตามคำแนะนำสำหรับการชาร์จไฟ และ ห้ามชาร์จแบตเตอรี่หรือเครื่องมือในบริเวณที่มี อุณหภูมินอกเหนือไปจากที่ระบุในคำแนะนำ การชาร์จไฟที่ไม่เหมาะสม หรืออุณหภูมิที่นอกเหนือไปจากช่วง อุณหภูมิที่ระบุในคำแนะนำอาจทำให้แบตเตอรี่เสียหาย และเป็นการเพิ่มความเสี่ยงในการเกิดไฟไหม้

ปฏิบัติตามคำแนะนำเหล่านี้

คำเตือน: อย่าให้ความไม่ระมัดระวังหรือความคุ้นเคยกับผลิตภัณฑ์ (จากการใช้งานซ้ำหลายครั้ง) อยู่เหนือ การปฏิบัติตามกฎเกณฑ์ด้านความปลอดภัยในการใช้งาน ผลิตภัณฑ์อย่างเคร่งครัด การใช้งานอย่างไม่เหมาะสม หรือการไม่ปฏิบัติตามกฎเกณฑ์ด้านความปลอดภัยใน คู่มือการใช้งานนี้อาจทำให้ได้รับบาดเจ็บร้ายแรง

คำแนะนำเพื่อความปลอดภัยที่สำคัญสำหรับ ตลับแบตเตอรี่

1. ก่อนใช้งานตลับแบตเตอรี่ให้อ่านคำแนะนำและ เครื่องหมายเตือนทั้งหมดบน (1) เครื่องชาร์จ แบตเตอรี่ (2) แบตเตอรี่ และ (3) ตัวผลิตภัณฑ์ที่ใช้ แบตเตอรี่
2. อย่าถอดแยกชิ้นส่วนหรือทำการดัดแปลงตลับ แบตเตอรี่ เนื่องจากอาจทำให้เกิดไฟไหม้ ความร้อนที่ สูงเกินไป หรือระเบิดได้
3. หากระยะเวลาที่เครื่องทำงานสั้นเกินไป ให้หยุดใช้งาน ทันที เนื่องจากอาจมีความเสี่ยงที่จะร้อนจัด ไหม้หรือ ระเบิดได้
4. หากสารละลายอิเล็กโทรไลต์กระเด็นเข้าตา ให้ล้าง ออกด้วยน้ำเปล่าและรีบไปพบแพทย์ทันที เนื่องจาก อาจทำให้ตาบอด
5. ห้ามลัดวงจรตลับแบตเตอรี่:
 - (1) ห้ามแตะขั้วกับวัตถุที่เป็นสื่อไฟฟ้าใดๆ
 - (2) หลีกเลี่ยงการเก็บตลับแบตเตอรี่ไว้ในภาชนะร่วมกับวัตถุที่เป็นโลหะ เช่น กรรไกรตัดเล็บ เหรียญ ฯลฯ
 - (3) อย่าให้ตลับแบตเตอรี่ถูกน้ำหรือฝน แบตเตอรี่ลัดวงจรอาจทำให้เกิดการไหลของกระแส ไฟฟ้า ร้อนจัด ไหม้หรือเสียหายได้
6. ห้ามเก็บและใช้เครื่องมือและตลับแบตเตอรี่ไว้ในสถานที่ที่มีอุณหภูมิสูงถึงหรือเกิน 50 °C (122 °F)
7. ห้ามเผาตลับแบตเตอรี่ทิ้ง แม้ว่าแบตเตอรี่จะเสียหาย จนใช้การไม่ได้หรือเสื่อมสภาพแล้ว ตลับแบตเตอรี่ อาจระเบิดในกองไฟ

8. อย่าถอดตะปู ตัด บด ข้าง หรือทำดัดลับแบตเตอรี่ หล่นพื้น หรือกระแทกตลับแบตเตอรี่กับวัตถุของแข็ง การกระทำดังกล่าวอาจส่งผลให้เกิดไฟไหม้ ความร้อน ที่สูงเกินไป หรือระเบิดได้
9. ห้ามใช้แบตเตอรี่ที่เสียหาย
10. แบตเตอรี่ลิเทียมไอออนที่มีมาให้มาเป็นไปตามข้อ กำหนดของ Dangerous Goods Legislation สำหรับการขนส่งเพื่อการพาณิชย์ เช่น โดยบุคคลที่ สาม ตัวแทนขนส่งสินค้า จะต้องตรวจสอบข้อกำหนด พิเศษในด้านการบรรจุหีบห่อหรือการติดป้ายสินค้า ในการเตรียมสินค้าที่จะขนส่ง ให้ปรึกษาผู้เชี่ยวชาญ ด้านวัตถุอันตราย โปรดตรวจสอบข้อกำหนดใน ประเทศที่อาจมีรายละเอียดอื่น ๆ เพิ่มเติม ให้ติดเทปหรือปิดหน้าสัมผัสและห่อแบตเตอรี่ใน ลักษณะที่แบตเตอรี่จะไม่เคลื่อนที่ไปมาในหีบห่อ
11. เมื่อกำจัดดัดลับแบตเตอรี่ ให้ถอดดัดลับแบตเตอรี่ออก จากเครื่องมือและกำจัดในสถานที่ที่ปลอดภัย ปฏิบัติ ตามข้อบังคับในท้องถิ่นที่เกี่ยวกับการกำจัดแบตเตอรี่
12. ใช้แบตเตอรี่กับผลิตภัณฑ์ที่ระบุโดย Makita เท่านั้น การติดตั้งแบตเตอรี่ในผลิตภัณฑ์ที่ไม่ใช่ตามที่ระบุอาจ ทำให้เกิดไฟไหม้ ความร้อนสูง ระเบิด หรืออิเล็กทรอนิกส์ รั่วไหลได้
13. หากไม่ใช่เครื่องมือเป็นระยะเวลานาน จะต้องถอด แบตเตอรี่ออกจากเครื่องมือ
14. ในระหว่างและหลังการใช้งาน ตลับแบตเตอรี่อาจร้อน ซึ่งอาจลวกผิวหรือทำให้ผิวไหม้ที่อุณหภูมิที่ต่ำได้ โปรด ระมัดระวังในการจัดการกับแบตเตอรี่ที่ร้อน
15. อย่าสัมผัสขั้วของเครื่องมือทันทีหลังจากการใช้งาน เนื่องจากอาจมีความร้อนพอที่จะทำให้ผิวไหม้ได้
16. อย่าปล่อยให้เศษวัสดุ ฝุ่นผง หรือดินเข้าไปติดอยู่ใน ขั้ว รู และร่องของตลับแบตเตอรี่ เนื่องจากอาจทำให้ เครื่องมือหรือตลับแบตเตอรี่มีประสิทธิภาพลดลงหรือ เสียหายได้
17. หากเครื่องมือไม่รองรับสายไฟแรงดันสูง อย่าใช้ตลับ แบตเตอรี่ใกล้กับสายไฟแรงดันสูง เนื่องจากเครื่องมือ หรือตลับแบตเตอรี่อาจทำงานผิดปกติหรือเสียหายได้
18. เก็บแบตเตอรี่ให้ห่างจากเด็ก

ปฏิบัติตามคำแนะนำเหล่านี้

คำเตือน: ใช้แบตเตอรี่ของแท้จาก Makita เท่านั้น การใช้แบตเตอรี่ Makita ที่ไม่แท้ หรือแบตเตอรี่ที่ถูก เปลี่ยน อาจทำให้แบตเตอรี่ระเบิด ก่อให้เกิดเพลิงลุกไหม้ การบาดเจ็บ และความเสียหายได้ และจะทำให้การรับ ประกันของ Makita สำหรับเครื่องมือและแทนชาร์จของ Makita เป็นโมฆะด้วย

เคล็ดลับในการรักษาอายุการใช้งานของ

แบตเตอรี่ให้ยาวนานที่สุด

1. ชาร์จตลับแบตเตอรี่ก่อนที่ไฟจะหมด หยุดการใช้งานแล้วชาร์จประจุไฟฟ้าใหม่ทุกครั้งเมื่อคุณรู้สึกว่าอุปกรณ์มีกำลังลดลง
2. อย่าชาร์จตลับแบตเตอรี่ที่มีไฟเต็มแล้ว การชาร์จประจุไฟฟ้ามากเกินไปอาจจะทำให้อายุการใช้งานของตลับแบตเตอรี่สั้นลง
3. ชาร์จประจุไฟฟ้าตลับแบตเตอรี่ในห้องที่มีอุณหภูมิระหว่าง 10 °C - 40 °C ปล่อยให้ตลับแบตเตอรี่เย็นลงก่อนที่จะชาร์จไฟ
4. เมื่อไม่ใช้ตลับแบตเตอรี่ ให้ถอดออกจากเครื่องมือหรือเครื่องชาร์จ
5. ชาร์จไฟตลับแบตเตอรี่หากคุณไม่ต้องการใช้เป็นเวลานาน (เกินกว่าหกเดือน)

คำอธิบายชิ้นส่วนต่างๆ

► หมายเลข 1

1	มือจับ	2	แผ่นสวิตช์	3	ด้ามจับท่อ	4	ท่อ
5	แผงไฟแสดงสถานะ	6	ก้าน (สำหรับฝาครอบกล่องเก็บฝุ่น)	7	ฝาครอบกล่องเก็บฝุ่น	8	มือจับเคลื่อนย้าย
9	ลิ้นค (สำหรับฝาครอบแบตเตอรี่)	10	ก้านปรับ	11	ฝาครอบแบตเตอรี่	12	หัวดูดฝุ่นสำหรับมุมอับ
13	แปรงกลม	14	ก้านเท้า	15	ลูกล้อ	16	แปรงด้านข้าง
17	ชุดสายสูบน้ำ	18	ข้อต่อ	19	ท่ออะลูมิเนียม	20	ที่ยึดท่อ
21	ดวงไฟ LED	22	แปรงม้วน	23	แผ่นด้านล่าง	24	ปุ่มเปิด/เปลี่ยนโหมด
25	ปุ่มปิด	26	ไฟแสดงสถานะโหมดการทำงาน	27	ไฟแสดงสถานะระดับฝุ่นมากเกินไป	28	ไฟแสดงสถานะความผิดพลาดของแปรงม้วน
29	ไฟแสดงสถานะความจุแบตเตอรี่ที่เหลืออยู่	30	ปุ่มตรวจสอบแบตเตอรี่/ดวงไฟ LED	-	-	-	-

การประกอบ

⚠ ข้อควรระวัง: ตรวจสอบให้แน่ใจเสมอว่าปิดสวิตช์เครื่องใช้และถอดตลับแบตเตอรี่ออกแล้วก่อนดำเนินการใดๆ กับเครื่องใช้

⚠ ข้อควรระวัง: สวมใส่หน้ากากกันฝุ่นระหว่างการประกอบหรือการบำรุงรักษา

การต่อมือจับ

1. ให้ดันแท่นมือจับเข้าจนสุดตัวเครื่องดูดฝุ่นดังที่แสดงในภาพประกอบ
 2. ปิดกลอนล็อก
- **หมายเลข 2:** 1. แท่นมือจับ 2. เครื่องหมายสีแดง 3. กลอนล็อก

ข้อสังเกต: ให้ดันแท่นมือจับเข้าจนสุดจนไม่เห็นเครื่องหมายสีแดงอีก

การต่อท่อ

สอดท่อดูดเข้าไปที่ช่องต่อของเครื่องใช้และหมุนท่อตามเข็มนาฬิกาจนกระทั่งเข้าล็อก

► **หมายเลข 3**

การต่อท่ออะลูมิเนียม

ใส่ปลายท่ออะลูมิเนียมเข้ากับข้อต่อ จากนั้นจึงติดท่ออะลูมิเนียมเข้ากับที่ยึดท่อ

► **หมายเลข 4:** 1. ข้อต่อ 2. ยึดท่อ

ข้อสังเกต: ใส่ท่อละอุมิเนียมในทิศทางที่ถูกต้องดังที่แสดงในภาพประกอบ ไม่เช่นนั้น ที่ยึดท่อจะล๊อคไม่แน่น และอาจทำให้ท่อละอุมิเนียมหลุด

▶ หมายเลข 5

การใส่หรือการถอดตัล็บแบตเตอรี่

⚠ ข้อควรระวัง: ปิดสวิตช์เครื่องใช้ก่อนใส่หรือถอดตัล็บแบตเตอรี่ออกเสมอ

⚠ ข้อควรระวัง: จับเครื่องดูดฝุ่นและตัล็บแบตเตอรี่ให้แน่นเมื่อทำการติดตั้งหรือถอดตัล็บแบตเตอรี่ หากไม่จับเครื่องดูดฝุ่นและตัล็บแบตเตอรี่ให้แน่นอาจทำให้เครื่องหรือตัล็บแบตเตอรี่ลื่นหลุดออกจากมือ และส่งผลให้เกิดความเสียหายกับเครื่องดูดฝุ่นและตัล็บแบตเตอรี่ รวมถึงทำให้ได้รับบาดเจ็บได้

⚠ ข้อควรระวัง: ระวังอย่าให้หนีบนิ้วขณะเปิดปิดหรือปิดฝาครอบแบตเตอรี่ มิฉะนั้น อาจก่อให้เกิดการบาดเจ็บได้

การติดตั้งตัล็บแบตเตอรี่ ให้ปล่ยล๊อคก่อน จากนั้นให้เปิดฝาครอบแบตเตอรี่ หลังจากนั้นให้ใส่ตัล็บแบตเตอรี่เข้าไป

▶ **หมายเลข 6:** 1. ล็อก 2. ฝาครอบแบตเตอรี่
จัดแนวสันบนตัล็บแบตเตอรี่ให้ตรงกับร่องบนตัวเครื่องมือ แล้วเลื่อนตัล็บแบตเตอรี่เข้าที่ ติดตั้งตัล็บแบตเตอรี่เข้าจนสุดจนกระทั่งได้ยินเสียงคลิกล๊อคเข้าที่ จากนั้นล๊อคฝาครอบแบตเตอรี่

▶ **หมายเลข 7:** 1. ตัล็บแบตเตอรี่ 2. ปุ่ม

เมื่อต้องการถอดตัล็บแบตเตอรี่ ให้เลื่อนตัล็บออกจากเครื่องใช้ในขณะที่เลื่อนปุ่มที่อยู่ด้านหน้าของตัล็บไปด้วย

⚠ ข้อควรระวัง: ติดตั้งตัล็บแบตเตอรี่เข้าจนสุดเสมอ ไม่เช่นนั้น ตัล็บแบตเตอรี่อาจร่วงหล่นออกจากเครื่องใช้โดยไม่ได้ตั้งใจ ซึ่งส่งผลให้คุณหรือผู้ที่อยู่รอบข้างคุณได้รับบาดเจ็บได้

⚠ ข้อควรระวัง: อย่าฝืนติดตั้งตัล็บแบตเตอรี่โดยใช้แรงมากเกินไป หากตัล็บแบตเตอรี่ไม่เลื่อนเข้าไปโดยง่าย แสดงว่าใส่ไม่ถูกต้อง

หมายเหตุ: เครื่องมือจะไม่ทำงานเมื่อใช้ตัล็บแบตเตอรี่เพียงก้อนเดียว

การติดตั้งถุงกรอง

⚠ ข้อควรระวัง: ห้ามใช้ถุงกรองฝุ่นที่เสียหาย ใช้เครื่องดูดฝุ่นที่มีถุงกรองฝุ่นที่ติดตั้งอย่างเหมาะสมเสมอ มิฉะนั้น ฝงฝุ่นหรือเศษวัสดุที่ดูดมาอาจถูกปล่ยออกมาจากเครื่องดูดฝุ่นและอาจให้เกิดการเจ็บป่วยทางระบบทางเดินหายใจหรืออื่นๆ แก่ผู้ปฏิบัติงานได้

การติดตั้งถุงกรองก่อนการใช้เครื่องดูดฝุ่น ถุงกรองเป็นประเภทใช้แล้วทิ้ง ทั้งถุงกรองทั้งถุงโดยไม่ต้องเทฝุ่นออกเมื่อถุงกรองเต็ม

ข้อสังเกต: เมื่อถุงกรองเต็มหรืออุดตัน ให้เปลี่ยนถุงใหม่ การใช้ถุงกรองที่เต็มหรืออุดตันต่อไปจะส่งผลให้กำลังการดูดลดลงได้

ข้อสังเกต: การป้องกันไม่ให้ฝงฝุ่นเข้าไปที่มอเตอร์:

— ตรวจสอบให้แน่ใจว่าติดตั้งถุงกรองแล้วก่อนใช้งาน

— ห้ามใช้ถุงที่ขาดหรือฉีก

มิฉะนั้นมอเตอร์อาจเสียหายได้

ข้อสังเกต: อย่าพับกระดาษแข็งที่ช่องเปิดเมื่อทำการติดตั้งถุงกรอง

ข้อสังเกต: ถุงกรองสำหรับที่ดูดฝุ่นเป็นส่วนประกอบที่สำคัญในการคงประสิทธิภาพการทำงานของเครื่องใช้ การใช้ถุงกรองที่ไม่ใช่ของแท้อาจส่งผลให้เกิดควันหรือประกายไฟได้

หมายเหตุ: เมื่อไม่ได้ติดตั้งถุงกรองในเครื่องใช้ ฝาครอบกล่องเก็บฝุ่นจะปิดไม่สนิท

1. ปลดล๊อคก้านและเปิดฝาครอบกล่องเก็บฝุ่น

▶ **หมายเลข 8:** 1. ก้าน 2. ฝาครอบกล่องเก็บฝุ่น

2. คลี่ถุงกรองจนสุด

▶ **หมายเลข 9**

3. ใส่ถุงกรองลงในช่องบนที่ยึดเพื่อใส่ด้านข้างที่มีเครื่องหมาย Δ เข้าไปก่อน

4. เกี่ยวตัวล๊อคของที่ยึด

▶ **หมายเลข 10:** 1. ช่อง 2. ถุงกรอง 3. ที่ยึด 4. ตัวล๊อค

5. ตรวจสอบให้แน่ใจว่าสามารถเห็นเครื่องหมายบนกระดาษแข็งผ่านร่องที่ยึด

▶ **หมายเลข 11:** 1. เครื่องหมาย 2. ร่อง

6. คลี่ถุงกรองหากพับอยู่

▶ **หมายเลข 12**

7. ล๊อคฝาครอบกล่องเก็บฝุ่นให้สนิท

⚠ ข้อควรระวัง: ระวังอย่าให้หนึบนิ้วขณะเกี่ยวตัวล๊อค และขณะปิดฝาครอบกล่องเก็บฝุ่น

การถอดถุงกรอง

⚠ ข้อควรระวัง: จับถุงกรองเบาๆ ไม่เช่นนั้น วัสดุแปลกปลอมจะถูกเป่าเข้าตา อาจส่งผลให้ได้รับบาดเจ็บได้

เปลี่ยนถุงกรองเมื่อถุงเต็มหรืออุดตัน
เปิดฝาครอบกล่องเก็บฝุ่นและเปิดตัวล๊อค จากนั้นจึงถอดถุงกรอง
ดึงแถบของช่องเปิดเพื่อปิดถุงกรองและกำจัดถุงกรอง

▶ **หมายเลข 13:** 1. ตัวล๊อค 2. แถบ

ข้อสังเกต: อย่าใช้ถุงกรองที่ใช้แล้ว ถุงกรองถูกออกแบบมาให้ใช้งานได้เพียงครั้งเดียว การใช้ถุงกรองซ้ำอาจทำให้ตัวกรองอุดตันและส่งผลให้ที่ดูดฝุ่นเสียหายได้ หากคุณต้องการใช้ถุงซ้ำ ให้ใช้ถุงดักฝุ่น

คำอธิบายการทำงาน

⚠ ข้อควรระวัง: ตรวจสอบให้แน่ใจเสมอว่าปิดสวิตช์เครื่องใช้และนำถลับแบตเตอรี่ออกแล้วก่อนทำการปรับหรือตรวจสอบฟังก์ชันบนเครื่องใช้

ระบบป้องกันเครื่องมือ/แบตเตอรี่

เครื่องมือมีระบบป้องกันเครื่องมือ/แบตเตอรี่ ระบบนี้จะตัดไฟที่ส่งไปยังมอเตอร์โดยอัตโนมัติเพื่อยืดอายุการใช้งานเครื่องมือและแบตเตอรี่ เครื่องมือจะหยุดทำงานระหว่างการใช้งานโดยอัตโนมัติ หากเครื่องมือหรือแบตเตอรี่อยู่ภายใต้สถานการณ์ต่อไปนี้

การป้องกันโอเวอร์โหลด

เมื่อเครื่องมือทำงานในรูปแบบที่อาจจะดึงพลังงานไฟฟ้าสูงเกินไป เครื่องมือจะหยุดโดยอัตโนมัติโดยไม่มีอาการแจ้งเตือนใดๆ ในกรณีนี้ ให้ปิดเครื่องมือและหยุดการใช้งานในลักษณะที่อาจทำให้เครื่องมือทำงานหนักเกินไป แล้วเปิดเครื่องมือเพื่อเริ่มทำงานอีกครั้ง

การป้องกันความร้อนสูงเกิน

<input type="checkbox"/> สว่าง	<input checked="" type="checkbox"/> กระพริบ

เมื่อเครื่องมือมีความร้อนสูงเกินไป เครื่องมือจะหยุดทำงานโดยอัตโนมัติและไฟแสดงสถานะแบตเตอรี่จะกระพริบประมาณ 60 วินาที ในกรณีนี้ ปล่อยให้เครื่องมือเย็นลงก่อนที่จะเปิดเครื่องมืออีกครั้ง

การป้องกันไฟหมด

เมื่อแบตเตอรี่มีระดับพลังงานต่ำ เครื่องมือจะหยุดโดยอัตโนมัติ หากผลิตภัณฑ์ไม่ทำงานแม้ว่าจะเปิดสวิตช์แล้วให้ถอดแบตเตอรี่ออกจากเครื่องมือและชาร์จแบตเตอรี่

การระบุระดับพลังงานแบตเตอรี่ที่เหลืออยู่

สำหรับถลับแบตเตอรี่ที่มีตัวแสดงสถานะเท่านั้น

▶ **หมายเลข 14:** 1. ไฟแสดงสถานะ 2. ปุ่มตรวจสอบ

กดปุ่ม ตรวจสอบ บนถลับแบตเตอรี่เพื่อดูปริมาณแบตเตอรี่ที่เหลือ ไฟแสดงสถานะจะสว่างขึ้นเป็นเวลาสองสามวินาที

ไฟแสดงสถานะ			แบตเตอรี่ที่เหลือ
ไฟสว่าง	ดับ	กระพริบ	
			75% ถึง 100%
			50% ถึง 75%
			25% ถึง 50%
			0% ถึง 25%
			ชาร์จไฟแบตเตอรี่
			แบตเตอรี่อาจจะเสีย

หมายเหตุ: ขึ้นอยู่กับสภาพการใช้งานและอุณหภูมิ โดยรอบ การแสดงสถานะอาจจะแตกต่างจากปริมาณแบตเตอรี่จริงเล็กน้อย

หมายเหตุ: ไฟแสดงสถานะดวงแรก (ซ้ายสุด) จะกระพริบเมื่อระบบป้องกันแบตเตอรี่ทำงาน

แผงไฟแสดงสถานะ

- **หมายเลข 15:** 1. โหมดการทำงาน 2. ระดับฝุ่นมากเกินไป 3. ความผิดพลาดของแปรังม้วน 4. ความจุแบตเตอรี่ที่เหลืออยู่ 5. ปุ่มตรวจสอบแบตเตอรี่/ดวงไฟ LED

โหมดการทำงาน

ในการเปลี่ยนโหมดการทำงาน ให้อ้างอิงส่วนสำหรับการทำงานของสวิทช์

ระดับฝุ่นมากเกินไป

หากไฟแสดงสถานะสว่างขึ้น ให้เปลี่ยนถุงกรอง (อ้างอิงส่วนการถอดถุงกรอง)

หมายเหตุ: ไฟแสดงสถานะจะไม่ทำงานเมื่อเครื่องใช้ดำเนินการในโหมด “ระดับเสียงรบกวนต่ำ (1)”

หมายเหตุ: ไฟแสดงสถานะอาจไม่ทำงานขึ้นกับสภาพแวดล้อมการใช้งาน

หมายเหตุ: ไฟแสดงสถานะจะดับลงโดยอัตโนมัติในเวลาประมาณหนึ่งนาทีก่อนปิดสวิทช์เครื่องใช้ หากคุณกำจัดฝุ่นที่อุดตันในถุงกรองและเริ่มเครื่องใช้อีกครั้ง ไฟแสดงสถานะจะดับลงภายในหนึ่งนาที

ความผิดพลาดของแปรังม้วน



กะพริบ	แปรังม้วนมีโหลตสูงด้วยสาเหตุบางอย่าง
สว่าง	แปรังม้วนหยุดทำงานด้วยสาเหตุการทำงานผิดปกติ

⚠ คำเตือน: ปิดเครื่องใช้ทันทีเมื่อดวงไฟสว่างขึ้นในระหว่างการทำงาน ไม่เช่นนั้น อาจทำให้เกิดการทำงานผิดปกติของมอเตอร์และเกิดไฟไหม้ได้

ความจุแบตเตอรี่ที่เหลืออยู่

ในระหว่างการทำงาน ให้กดปุ่มตรวจสอบแบตเตอรี่/ดวงไฟ LED เพื่อระบุระดับพลังงานแบตเตอรี่ที่เหลืออยู่ ไฟแสดงสถานะแบตเตอรี่จะตรงตามแบตเตอรี่แต่ละลูก

- **หมายเลข 16**

สถานะของไฟแสดงสถานะแบตเตอรี่			ความจุแบตเตอรี่ที่เหลืออยู่
 สว่าง	 ดับ	 กะพริบ	
			50% ถึง 100%
			20% ถึง 50%
			0% ถึง 20%
			ชาร์จแบตเตอรี่

ปุ่มตรวจสอบแบตเตอรี่/ดวงไฟ LED

ในระหว่างการทำงาน การดำเนินการต่อไปนี้อาจทำได้

- เพียงแคกดปุ่มหลักเพื่อตรวจสอบความจุแบตเตอรี่ที่เหลืออยู่
- กดปุ่มค้างเพื่อเปิด/ปิดดวงไฟ LED

การทำงานของสวิทช์

- **หมายเลข 17:** 1. ปุ่มเปิด/เปลี่ยนโหมด 2. ปุ่มปิด

การเปิด / ปิดเครื่องใช้

ในการเปิดเครื่องใช้เพื่อเริ่มการใช้งาน เพียงแคกดปุ่มเปิด/เปลี่ยนโหมด ในการปิดสวิทช์ กดปุ่มปิด

⚠ ข้อควรระวัง: วางหัวเครื่องใช้บนพื้นทุกครั้งที่เปิดเครื่องใช้ ไม่เช่นนั้น อาจทำให้เกิดอุบัติเหตุเนื่องจากสิ่งแปลกปลอมเข้าไปติดในเครื่องและเกิดการบาดเจ็บได้

การเปลี่ยนโหมดการทำงาน

คุณสามารถเปลี่ยนโหมดการทำงานได้เป็นสามระดับ:

“ระดับเสียงรบกวนต่ำ (1)” “ปานกลาง (2)” และ “สูง (3)”

หากคุณต้องการเปลี่ยนโหมดการทำงาน ให้กดปุ่มเปิด/เปลี่ยนโหมดขณะเครื่องใช้กำลังทำงาน โหมดการทำงานจะเปลี่ยนตามลำดับต่อไปนี้ “ระดับเสียงรบกวนต่ำ (1)” “ปานกลาง (2)” และ “สูง (3)”

เครื่องใช้จะเริ่มทำงานด้วยโหมดเดียวกับการตั้งค่าก่อนหน้า

การเปิดดวงไฟ LED

⚠ ข้อควรระวัง: อย่ามองเข้าไปในดวงไฟหรือจ้องดูแหล่งกำเนิดแสงโดยตรง

เครื่องใช้ที่มีดวงไฟ LED

ดูยอหน้าปัดตรวจสอบแบตเตอรี่/ดวงไฟ LED สำหรับการทำงาน

▶ หมายเลข 18: 1. ดวงไฟ LED

ก้านเท้า

⚠ ข้อควรระวัง: ล็อคเครื่องใช้ในตำแหน่งตั้งตรงเสมอเมื่อปล่อยมือจับ ไม่เช่นนั้น ฝาครอบด้านหน้าอาจวิ่งหล่นและทำให้ได้รับบาดเจ็บได้

⚠ ข้อควรระวัง: ระวังอย่าให้หนีบนิ้วขณะจับตัวเครื่องหลักและหัวของเครื่องใช้

ในการปลดล็อคตำแหน่งตั้งตรงของเครื่องใช้ ให้เหยียบก้านเท้าและดึงมือจับ

ระยะเวลาการเคลื่อนที่อยู่ที่ 90 องศาจากตำแหน่งตั้งตรง

▶ หมายเลข 19: 1. ก้านเท้า

ในการล็อคเครื่องใช้ในตำแหน่งตั้งตรง ให้ยกมือจับตรงๆ จนกว่าก้านเท้าจะล็อคในตำแหน่งด้วยเสียงคลิก

▶ หมายเลข 20

หมายเหตุ: ขณะเครื่องใช้อยู่ในตำแหน่งตั้งตรง แปรงม้วนจะหยุดหมุน

การปรับความสูงของแปรงม้วน

⚠ ข้อควรระวัง: ตรวจสอบว่าก้านปรับอยู่ในตำแหน่งที่เหมาะสมก่อนทำงานเสมอ

ความสูงของแปรงม้วนสามารถปรับได้ใน 4 ขั้นตอน

หมุนก้านปรับให้อยู่ในความสูงที่ต้องการ

เมื่อก้านปรับชี้ไปทางเครื่องหมาย A แปรงม้วนจะอยู่ใน

ตำแหน่งสูงสุดเหนือพื้นและเหมาะสำหรับทำความสะอาด

พื้นแข็งและพรมขนสั้น เมื่อก้านปรับชี้ไปทางเครื่องหมาย B

แปรงม้วนจะอยู่ในตำแหน่งสูงสุดเหนือพื้นและเหมาะสำหรับ

ทำความสะอาดพรมขนยาว

▶ หมายเลข 21: 1. ก้านปรับ

หมายเหตุ: แปรงม้วนอาจไม่หมุนหากความสูงของแปรงม้วนมีค่าต่ำเกินไปเมื่ออยู่เหนือพื้นผิวพรม

มือจับเคลื่อนย้าย

เมื่อเคลื่อนย้ายเครื่องใช้ ให้ดันเครื่องใช้ด้วยลูกล้อเท่านั้น หรือเคลื่อนย้ายด้วยการจับมือจับเคลื่อนย้าย

▶ หมายเลข 22

⚠ ข้อควรระวัง: ขณะเคลื่อนย้ายเครื่องใช้ ให้ล็อคเครื่องใช้ในตำแหน่งตั้งตรง ไม่เช่นนั้นอาจเกิดอุบัติเหตุจากการวิ่งหล่นได้

⚠ ข้อควรระวัง: อย่าเคลื่อนย้ายเครื่องใช้ด้วยสิ่งอื่นใดนอกเหนือจากมือจับเคลื่อนย้าย ไม่เช่นนั้นอาจเกิดอุบัติเหตุจากการวิ่งหล่นหรือทำให้เครื่องทำงานโดยไม่ตั้งใจซึ่งทำให้เกิดการบาดเจ็บได้

▶ หมายเลข 23

การใช้งาน

⚠ ข้อควรระวัง: อย่าดึงแท่นมือจับจากเครื่องใช้ขณะทำงาน ไม่เช่นนั้นจะทำให้เครื่องมือเสียสมดุลและอาจทำให้ได้รับบาดเจ็บสาหัสได้

⚠ ข้อควรระวัง: อย่ายื่นแขนหรือขาไปได้เครื่องใช้ขณะทำงาน ไม่เช่นนั้นอาจเกิดอุบัติเหตุจากการหนีบได้

การทำความสะอาดทั่วไป

1. ใช้มือจับ จากนั้นจึงปลดล็อคในตำแหน่งตั้งตรง

2. เปิดเครื่องใช้ ทำความสะอาดพื้น

▶ หมายเลข 24

การใช้แปรงด้านข้าง

แปรงด้านข้างเหมาะสำหรับทำความสะอาดมุมกำแพง

หากแปรงด้านข้างมีขนาดสั้นลง ให้นำเครื่องใช้ไปที่ศูนย์บริการ Makita เพื่อรับการเปลี่ยน

▶ หมายเลข 25: 1. แปรงด้านข้าง

การทำงานด้วยอุปกรณ์เสริม

⚠️ ข้อควรระวัง: ใช้มือจับขณะใช้งานอุปกรณ์เสริม ไม่นั้นนั้น ฝาครอบด้านหน้าอาจร่วงหล่นและทำให้ได้รับบาดเจ็บได้

ข้อสังเกต: เมื่อใช้อุปกรณ์เสริม ให้ล็อคเครื่องไว้ในตำแหน่งตั้งตรง ไม่นั้นนั้น แปร่งมันอาจหมุนจนทำให้พื้นได้รับความเสียหายได้

การใช้ท่ออะลูมิเนียม

ท่ออะลูมิเนียมเหมาะสำหรับทำความสะอาดจุดแคบๆ หรือสูงๆ

▶ **หมายเลข 26:** 1. ท่ออะลูมิเนียม

การใช้ท่อ

ท่อเหมาะสำหรับทำความสะอาดใกล้มือของคุณ

▶ **หมายเลข 27:** 1. ท่อ

สำหรับการใช้ท่อ ให้ดึงท่ออะลูมิเนียมจากท่อขณะกดก้าน สำหรับการติดตั้งท่อ ให้ใส่ท่อเข้ากับท่ออะลูมิเนียมจนได้ยินเสียงคลิก

▶ **หมายเลข 28:** 1. ก้าน

การใช้อุปกรณ์ต่อพ่วง

▶ **หมายเลข 29**

สำหรับการใช้อุปกรณ์ต่อพ่วง ให้บิดและสอดเข้าไปที่ท่ออะลูมิเนียมหรือท่อให้แน่น และเมื่อต้องการถอดออก ให้บิดและถอดออก

การบำรุงรักษา

⚠️ ข้อควรระวัง: ตรวจสอบให้แน่ใจเสมอว่าปิดสวิตช์เครื่องใช้และถอดปลั๊กแบตเตอรี่ออกแล้วก่อนพยายามทำการตรวจสอบหรือบำรุงรักษา

ข้อสังเกต: อย่าใช้น้ำมันเชื้อเพลิง เบนซิน กิโนเนอร์ แอลกอฮอล์ หรือวัสดุประเภทเดียวกัน เนื่องจากอาจทำให้สีซีดจาง เสียรูป หรือแตกร้าวได้

เพื่อความปลอดภัยและนำเชื้อถือของผลิตภัณฑ์ ควรให้ศูนย์บริการหรือโรงงานที่ผ่านการรับรองจาก Makita เป็นผู้ดำเนินการซ่อมแซม บำรุงรักษาและทำการปรับตั้งอื่นๆ นอกจากนี้ให้ซื้ออะไหล่ของแท้จาก Makita เสมอ

การเก็บรักษา

เมื่อต้องการจัดเก็บ ให้ถอดด้ามแบตเตอรี่และจัดเก็บเครื่องใช้ในตำแหน่งตั้งตรงไว้ที่ชั้น

▶ **หมายเลข 30**

การทำความสะอาดตัวเครื่องใช้

หมั่นทำความสะอาดภายนอก (ตัวเครื่อง) ของเครื่องดูดฝุ่นโดยใช้ผ้าชุบน้ำสบู

▶ **หมายเลข 31**

การทำความสะอาดตัวกรอง HEPA

⚠️ ข้อควรระวัง: อย่าใช้เครื่องดูดฝุ่นโดยไม่มีถุงกรองหรือใช้ต่อขณะถุงกรองสกปรกหรือเสียหาย ผงฝุ่นหรือเศษวัสดุที่ติดมาอาจถูกปล่อยออกมาจากเครื่องดูดฝุ่นและอาจให้เกิดการเจ็บป่วยทางระบบทางเดินหายใจหรืออื่นๆแก่ผู้ปฏิบัติงานได้

ข้อสังเกต: เมื่อต้องการให้มีแรงดูดสูงสุดและปล่อยลมสะอาด ให้ทำความสะอาดตัวกรองเป็นประจำ ถ้ามีแรงดูดไม่เพียงพอแม้กระทั่งหลังทำความสะอาดแล้ว ให้เปลี่ยนตัวกรองเป็นอันใหม่

ข้อสังเกต: เพื่อป้องกันไม่ให้ตัวกรองเสียหาย อย่าใช้เครื่องมือต่อไปนี้จะสิ่งทีคล้ายกันนี้ในการทำความสะอาด:

- สเปรย์ลมเป่าฝุ่น
- เครื่องฉีดน้ำแรงดันสูง
- เครื่องมือที่ทำจากวัสดุที่แข็ง เช่น แปร่งโลหะ

1. เปิดฝาครอบกล่องเก็บฝุ่นและเปิดตัวล็อคและถอดถุงกรอง

ปลดขอกีเยวบนตัวกรองแล้วนำตัวกรองออกจากตัวเครื่องใช้

▶ **หมายเลข 32:** 1. ขอกีเยว

2. เคาะฝุ่นออกจากตัวกรอง ตัวกรองสามารถล้างได้ด้วยน้ำ ล้างฝุ่นและเศษวัสดุบนตัวกรองออกทุก 1 หรือ 2 เดือน หลังจากนั้น ให้ตากตัวกรองให้แห้งสนิทในที่ร่มและมีอากาศถ่ายเทเพื่อป้องกันไม่ให้สีกลั่นไม่พึงประสงค์หรือเกิดการทำงานผิดปกติ

3. การติดตั้งตัวกรอง ให้สอดด้านที่ไม่มีชื่อเกี่ยวลงในร่องจากนั้นกดตัวกรองเข้าไปด้านในจนกระทั่งขอกีเยวถูกยึดและได้ยินเสียงคลิก

▶ **หมายเลข 33:** 1. ร่อง 2. ตัวกรอง HEPA 3. ขอกีเยว

การทำความสะอาดแปรงม้วน

1. ถอดแผ่นด้านล่าง จากนั้นจึงถอดแปรงม้วน

หากขนของแปรงม้วนมีขนาดสั้นเกินไป ให้ขออันใหม่จากศูนย์บริการ Makita

การใช้งานเครื่องใช้ด้วยแปรงม้วนที่มีขนสั้นอาจทำให้เก็บฝุ่นได้ไม่ดี

▶ **หมายเลข 34:** 1. แผ่นด้านล่าง 2. แปรงม้วน

2. กำจัดเส้นด้ายและเส้นผมจากแปรงม้วนด้วยกรรไกร ถอดฝาปิดและทำความสะอาดเศษขยะ

▶ **หมายเลข 35:** 1. ฝาปิด

3. ติดตั้งฝาปิด แปรงม้วน และแผ่นด้านล่างโดยการย้อนขั้นตอน

▶ **หมายเลข 36**

⚠ ข้อควรระวัง: ติดตั้งแผ่นด้านล่างให้สนิท หากเครื่องใช้ทำงานขณะที่ไม่มีแผ่นด้านล่าง แปรงม้วนอาจหลุดออกมาและทำให้เกิดการบาดเจ็บได้

ข้อสังเกต: ติดตั้งแปรงม้วนอยู่เสมอ การใช้งานเครื่องใช้โดยไม่ใส่แปรงม้วนอาจทำให้เก็บฝุ่นได้ไม่ดี

วิธีจัดการกรณีเกิดการอุดตัน

ข้อสังเกต: อย่าใช้งานเครื่องใช้ขณะช่องดูดเกิดการอุดตัน การใช้งานต่อขณะช่องดูดอุดตันจะส่งผลให้กำลังการดูดลดลงได้

1. ถอดแผ่นด้านล่าง จากนั้นจึงถอดแปรงม้วน

2. ถอดท่ออะลูมิเนียมจากเครื่องใช้และท่อ

3. หมุนท่อทวนเข็มนาฬิกา จากนั้นจึงถอดท่อจากเครื่องใช้

4. ถอดชุดสายสูบน้ำโดยการดึงแถบ

▶ **หมายเลข 37:** 1. ชุดสายสูบน้ำ 2. แถบ

5. ตรวจสอบช่องดูดลมภายในท่ออะลูมิเนียมรวมถึงในท่อและชุดสายสูบน้ำ

ทำความสะอาดเศษขยะด้านใน

6. จัดให้ลิ้นของชุดสายสูบน้ำตรงกับร่องในช่องใส่ แล้วเลื่อนสลับแบตเตอรี่เข้าไป

▶ **หมายเลข 38:** 1. ลิ้น 2. ร่อง

7. ติดตั้งท่อ ท่ออะลูมิเนียม แปรงม้วน และแผ่นด้านล่าง

⚠ ข้อควรระวัง: ติดตั้งท่อและท่ออะลูมิเนียมให้แน่น ไม่เช่นนั้นอาจทำให้ฝุ่นรั่วไหลและเกิดการบาดเจ็บได้

การแก้ไขปัญหา

ก่อนนำไปซ่อม ให้ทำการตรวจสอบด้วยตัวเองก่อน หากคุณพบปัญหาที่ไม่มีคำอธิบายในคู่มือนี้ อย่าพยายามถอดแยกส่วนประกอบเครื่องเอง โปรดสอบถามศูนย์บริการที่ได้รับการรับรองจาก Makita โดยใช้ชื่อรหัสของ Makita ในการซ่อมแซมเสมอ

อาการหรือสิ่งที่เกิดขึ้น	สาเหตุของปัญหา	การแก้ไข
เครื่องไม่ทำงาน	ติดตั้งถลับแบตเตอรี่ไม่ถูกต้อง	ติดตั้งถลับแบตเตอรี่ตามที่อธิบายในคู่มือการใช้งานนี้
	ถลับแบตเตอรี่ไม่มีประจุ	เปลี่ยนถลับแบตเตอรี่
	ติดตั้งมือจับไม่ถูกต้อง	ติดตั้งมือจับให้แน่นตามที่อธิบายในคู่มือการใช้งานนี้
แปรงถ่านไม่หมุน	เครื่องใช้ถูกล็อกอยู่ในตำแหน่งตั้งตรง	ปลดล็อกตำแหน่งตั้งตรงของเครื่องใช้
	ไฟแสดงสถานะความผิดพลาดของแปรงถ่านสว่างขึ้น	ตรวจสอบว่าไม่มีอะไรติดรอบๆ แปรงถ่าน (ตัวเครื่อง ฝาปิด และข้อต่อ)
แรงดูดลดลง	ไฟแสดงสถานะระดับฝุ่นมากเกินไปสว่างขึ้น	เปลี่ยนถุงกรอง หากถุงกรองยังไม่เต็ม ให้คลี่ถุงกรองและเขย่าเพื่อ กำจัดฝุ่นที่อุดตัน
	⇒หากเปลี่ยนถุงกรองแล้วยังเกิดปัญหามีอยู่	ทำความสะอาดหรือเปลี่ยนตัวกรอง HEPA
		ตรวจสอบว่าไม่มีเศษขยะอุดตันในท่อและท่อ อะลูมิเนียม
	เศษขยะติดในแปรงถ่านและความเร็วการหมุนลดลง	ตรวจสอบว่าไม่มีอะไรติดรอบๆ แปรงถ่าน (ตัวเครื่อง ฝาปิด และข้อต่อ)
	แปรงถ่านอยู่ในระดับที่สูงจากพื้นมากเกินไป	ลดระดับความสูงของแปรงถ่าน
	ขนของแปรงถ่านมีขนาดสั้นเกินไป	เปลี่ยนแปรงถ่าน ลดระดับความสูงของแปรงถ่าน
	เครื่องใช้ทำงานอยู่ในโหมดระดับต่ำ	เปลี่ยนไปใช้โหมดการทำงานระดับที่สูงกว่า
	ไม่ได้ติดตั้งแปรงถ่าน	ติดตั้งแปรงถ่าน
	ติดตั้งท่ออะลูมิเนียมหรือท่อไม่ถูกต้อง	ติดตั้งท่ออะลูมิเนียมหรือท่อให้แน่น
เครื่องทำงานเสียงดัง	เครื่องใช้ทำงานอยู่ในโหมดระดับสูง	เปลี่ยนไปใช้โหมดการทำงานระดับที่ต่ำกว่า
	เศษขยะติดพันในแปรงถ่าน	ตรวจสอบว่าไม่มีอะไรติดรอบๆ แปรงถ่าน (ตัวเครื่อง ฝาปิด และข้อต่อ)
	ถุงกรองเต็มไปด้วยฝุ่น	เปลี่ยนถุงกรอง
	⇒หากเปลี่ยนถุงกรองแล้วยังเกิดปัญหามีอยู่	ทำความสะอาดหรือเปลี่ยนตัวกรอง HEPA
		ตรวจสอบว่าไม่มีเศษขยะอุดตันในท่อและท่อ อะลูมิเนียม
ไฟแสดงสถานะระดับฝุ่นมากเกินไปกะพริบหลังใช้งานได้เล็กน้อย	ถุงกรองพับอยู่	คลี่ปากถุงกรองก่อนใส่
ดวงไฟ LED ไม่สว่างขึ้น	การตั้งค่าดวงไฟ LED อยู่ที่ตำแหน่งปิด	ในระหว่างการทำงาน ให้กดค้างที่ปุ่มตรวจสอบ แบตเตอรี่/ดวงไฟ LED เพื่อเปิดดวงไฟ LED
ลูกล้อฝืด	เศษขยะติดพันในลูกล้อ	ทำความสะอาดเศษขยะในลูกล้อ

อุปกรณ์เสริม

⚠ ข้อควรระวัง: ขอแนะนำให้ใช้เฉพาะอุปกรณ์เสริมหรืออุปกรณ์ต่อพ่วงเหล่านี้กับเครื่องมือ Makita ที่ระบุในคู่มือการใช้อุปกรณ์เสริมหรืออุปกรณ์ต่อพ่วงอื่นๆ อาจมีความเสี่ยงที่จะได้รับบาดเจ็บ ใช้อุปกรณ์เสริมหรืออุปกรณ์ต่อพ่วงตามวัตถุประสงค์ที่ระบุไว้เท่านั้น

หากต้องการทราบรายละเอียดเพิ่มเติมเกี่ยวกับอุปกรณ์เสริมเหล่านี้ โปรดสอบถามศูนย์บริการ Makita ใกล้บ้านคุณ

- หัวดูดฝุ่นสำหรับมุมอับ
- แปรงหัวกลม
- ตัวกรอง HEPA
- ถังกรองฝุ่น
- แบตเตอรี่และเครื่องชาร์จ Makita ของแท้

หมายเหตุ: อุปกรณ์บางรายการอาจรวมอยู่ในชุดเครื่องมือเป็นอุปกรณ์มาตรฐาน ซึ่งอาจแตกต่างกันไปในแต่ละประเทศ

Makita Corporation
3-11-8, Sumiyoshi-cho,
Anjo, Aichi 446-8502 Japan
www.makita.com

885802A370
EN, ZHCN, ID, MS,
VI, TH
20210202