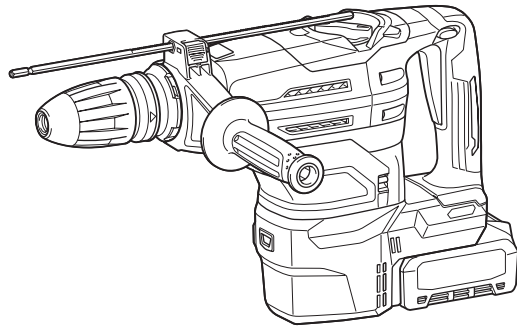




EN	Cordless Rotary Hammer	INSTRUCTION MANUAL	9
ZHCN	充电式电锤	使用说明书	22
ID	Bor Getar Rotari Tanpa Kabel	PETUNJUK PENGGUNAAN	36
MS	Tukul Berputar Tanpa Kord	MANUAL ARAHAN	50
VI	Máy Khoan Động Lực Cầm Tay Hoạt Động Bằng Pin	TÀI LIỆU HƯỚNG DẪN	64
TH	สว่านไฟฟ้าไร้สาย	คู่มือการใช้งาน	77

HR005G



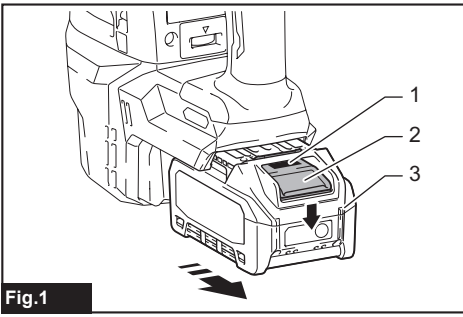


Fig.1

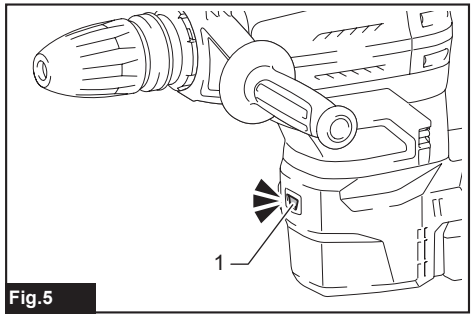


Fig.5

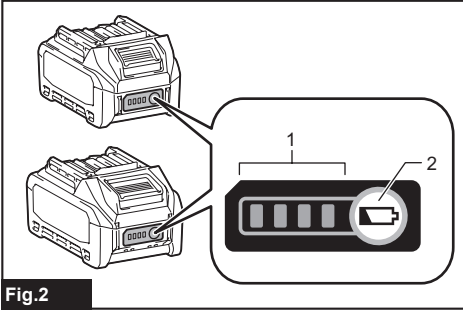


Fig.2

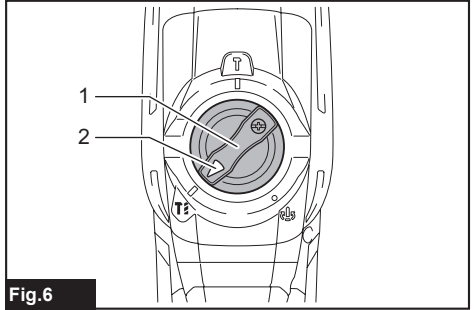


Fig.6

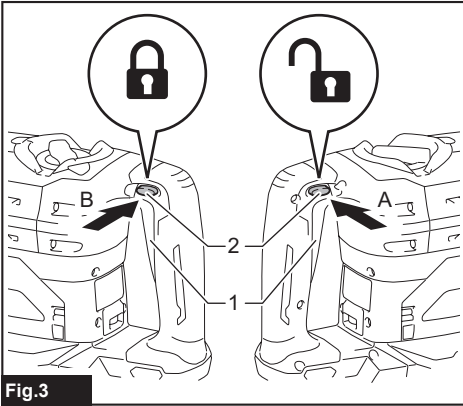


Fig.3

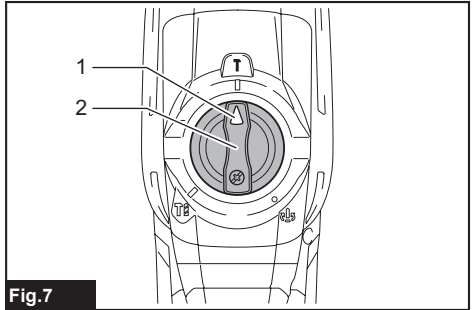


Fig.7

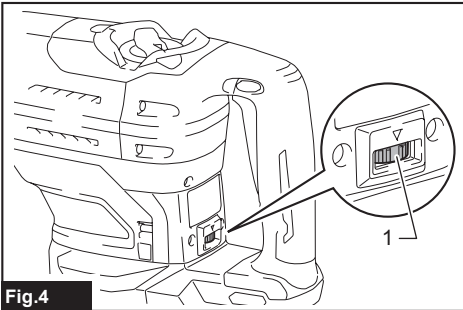


Fig.4

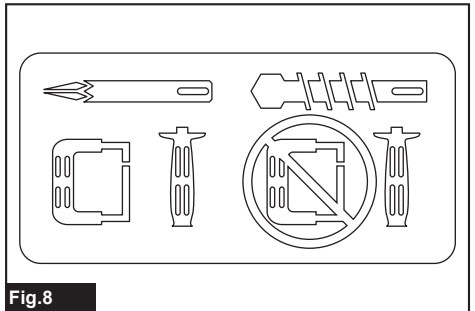
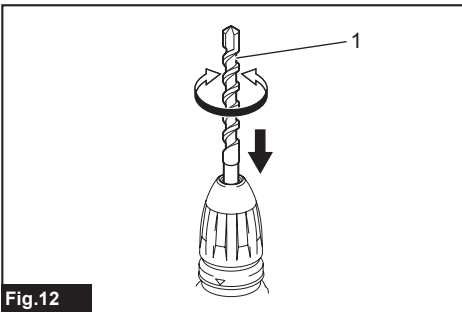
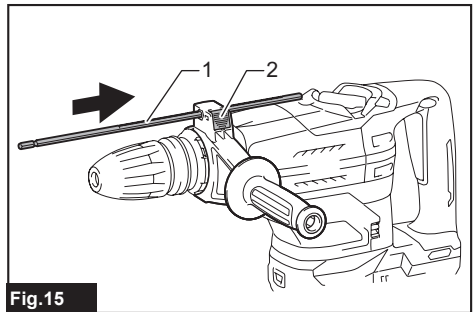
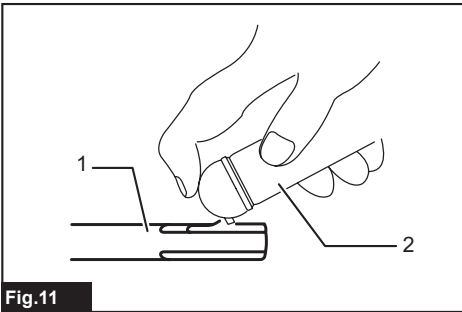
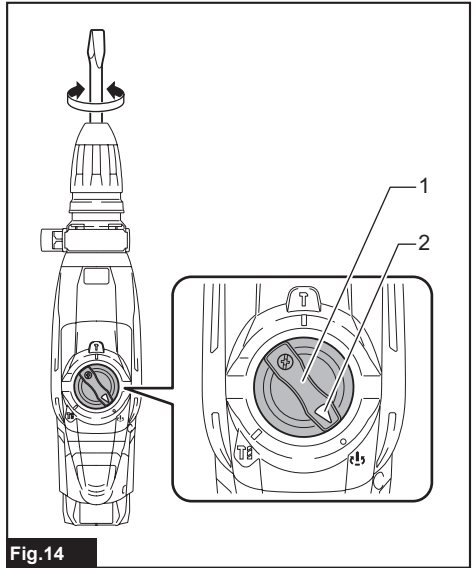
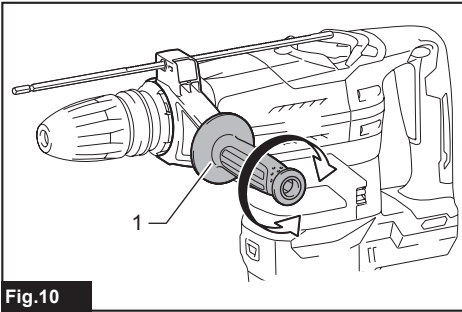
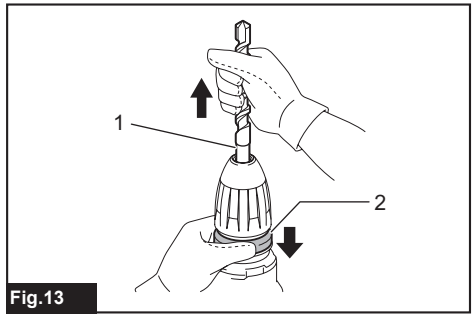
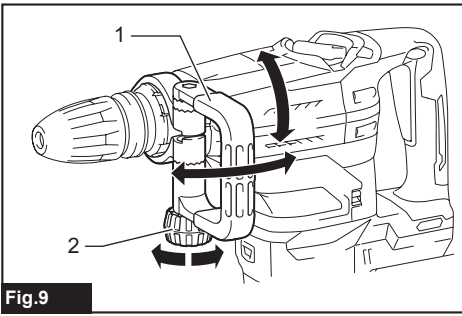
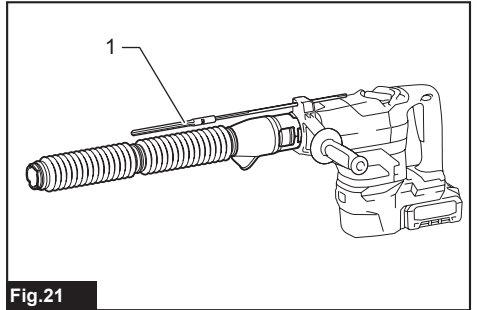
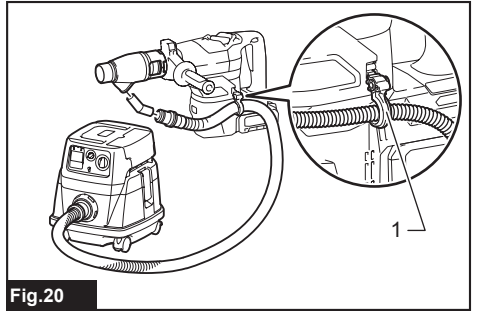
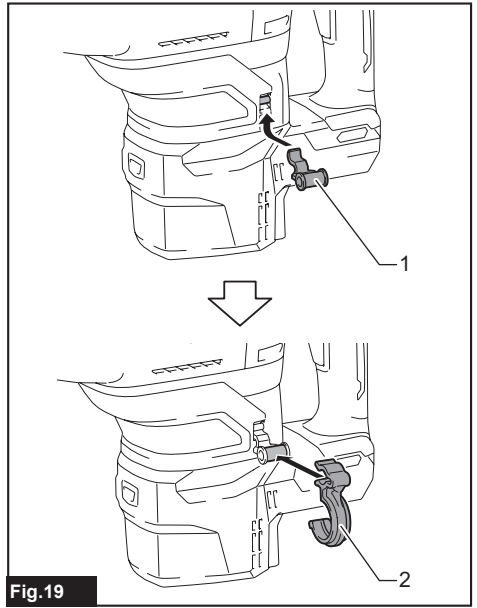
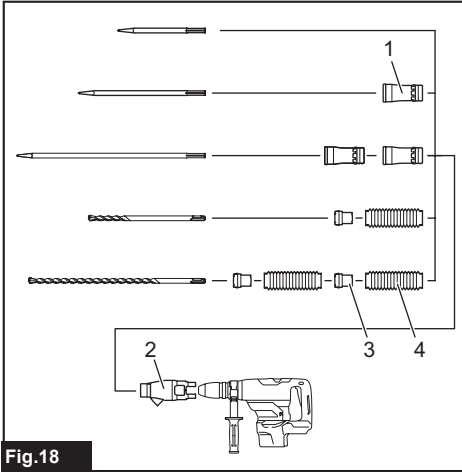
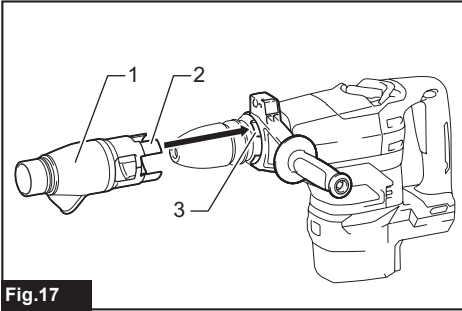
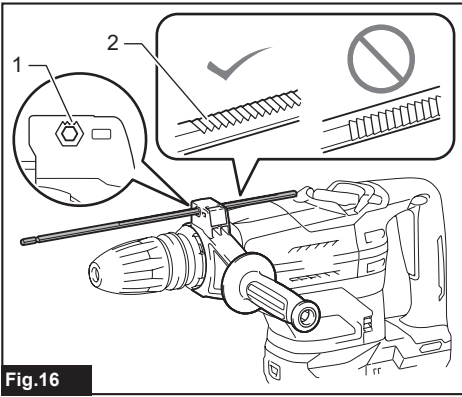


Fig.8





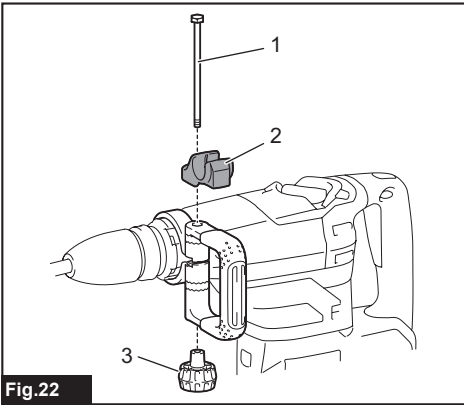


Fig.22

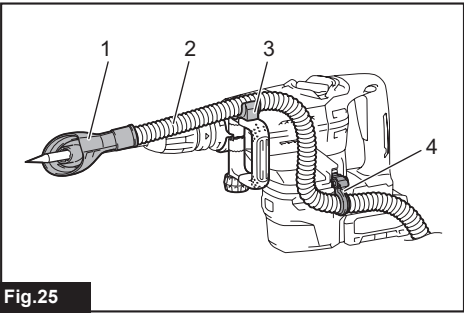


Fig.25

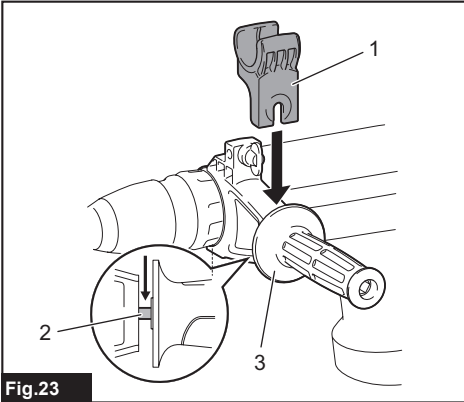


Fig.23

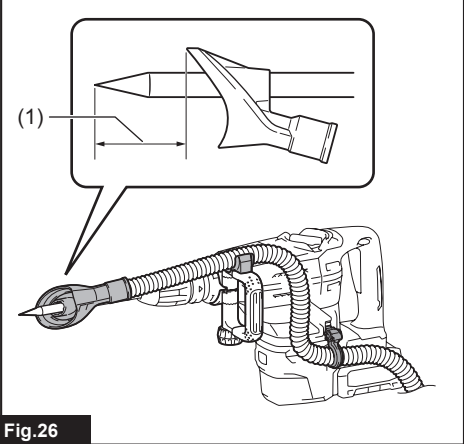


Fig.26

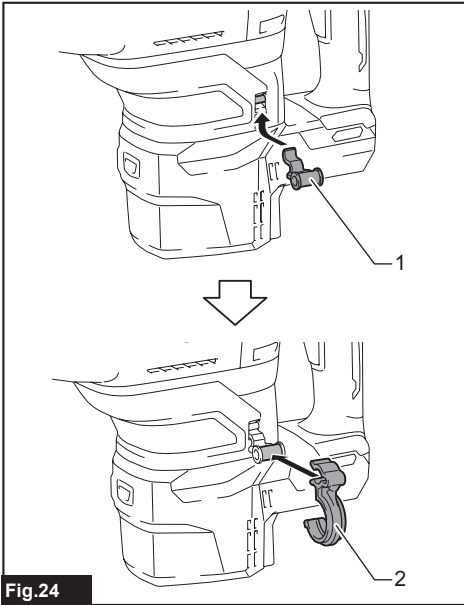


Fig.24

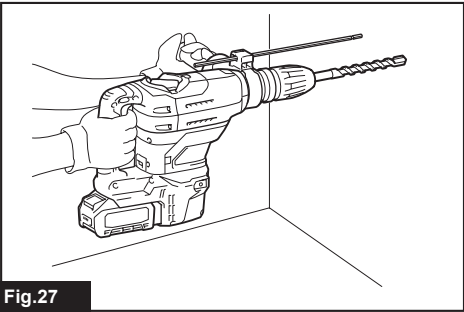


Fig.27

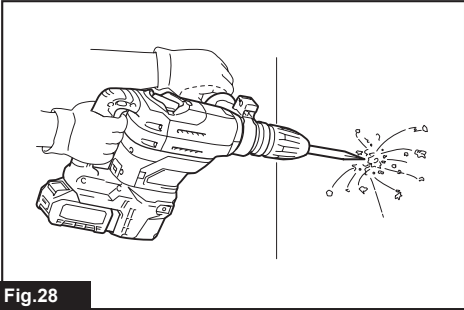
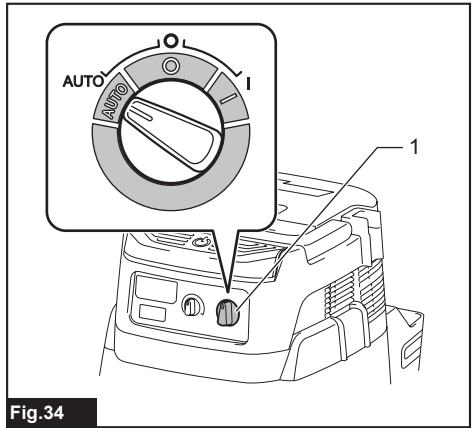
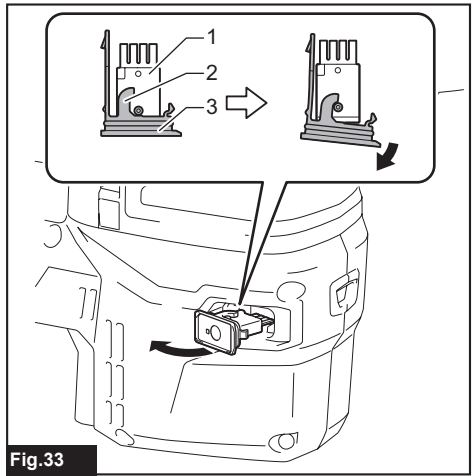
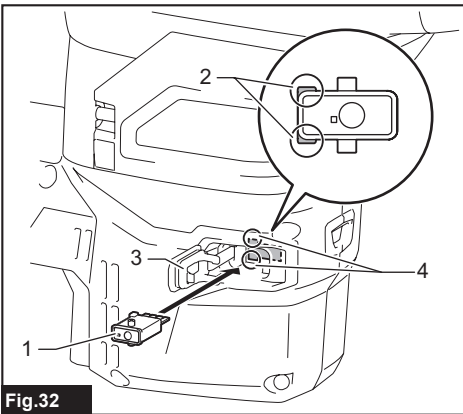
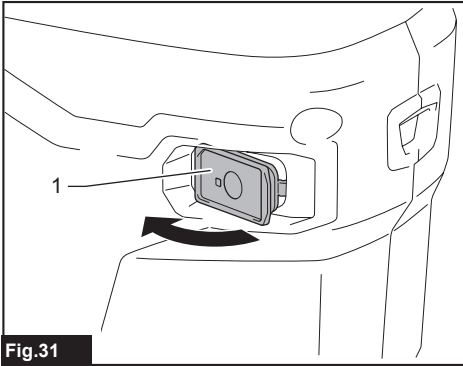
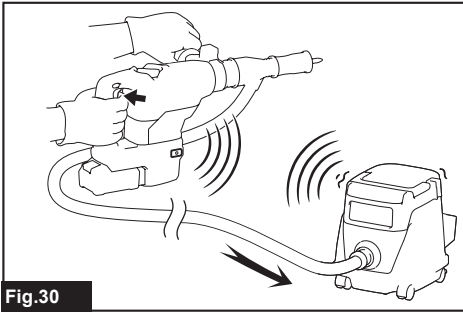
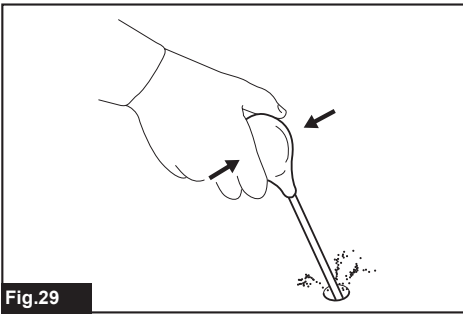


Fig.28



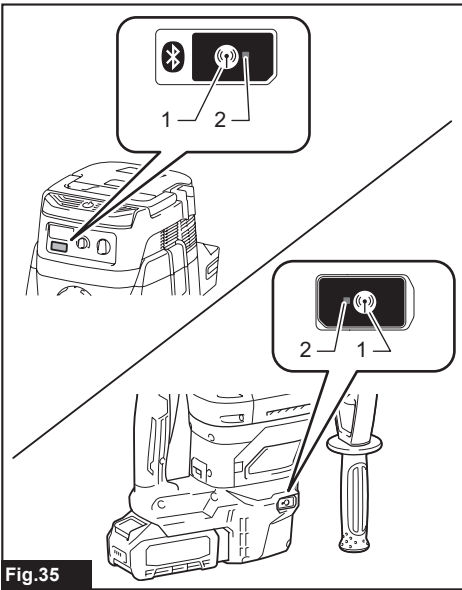


Fig.35

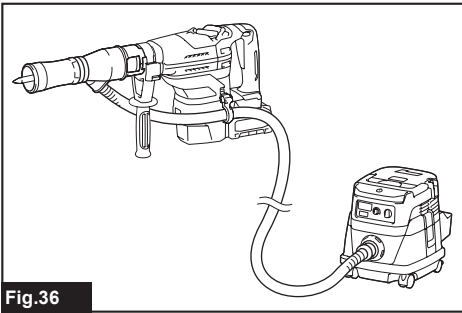


Fig.36

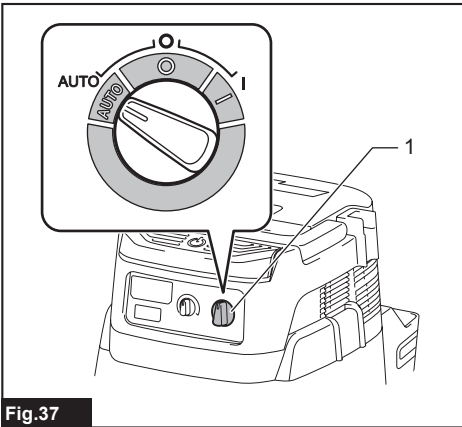


Fig.37

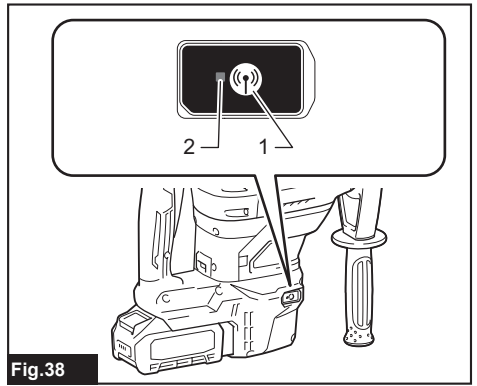


Fig.38

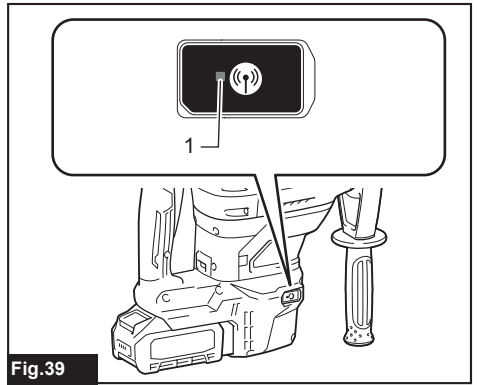


Fig.39

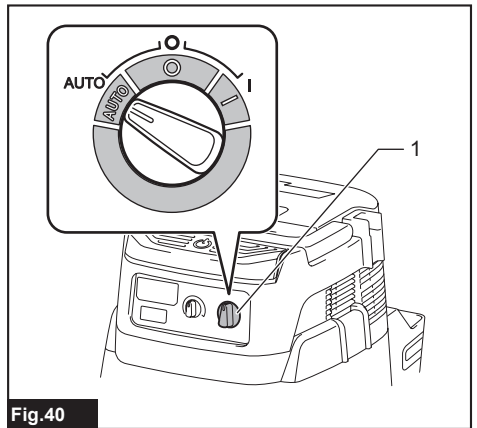


Fig.40

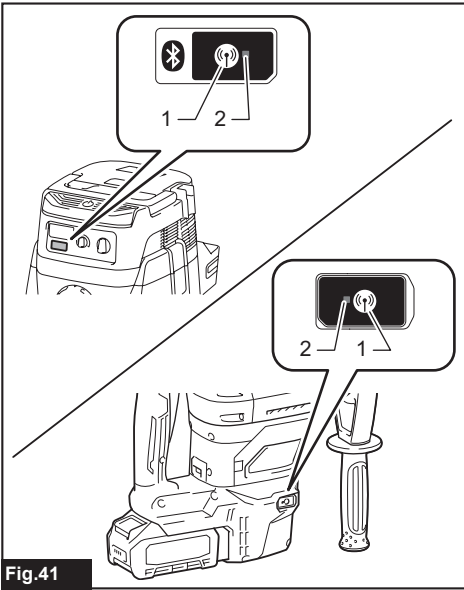


Fig.41

SPECIFICATIONS

Model:		HR005G
Capacities	Carbide-tipped bit	40 mm
	Core bit	105 mm
No load speed (RPM)		250 - 500 min ⁻¹
Blows per minute		1,450 - 2,900 min ⁻¹
Overall length	with BL4025	484 mm
	with BL4040	500 mm
Rated voltage		D.C. 36 V - 40 V max
Net weight		7.4 - 8.2 kg

- Due to our continuing program of research and development, the specifications herein are subject to change without notice.
- Specifications and battery cartridge may differ from country to country.
- The weight may differ depending on the attachment(s), including the battery cartridge. The lightest and heaviest combinations, according to EPTA-Procedure 01/2014, are shown in the table.

Applicable battery cartridge and charger

Battery cartridge	BL4020 / BL4025 / BL4040* / BL4050F* *: Recommended battery
Charger	DC40RA / DC40RB / DC40RC

- Some of the battery cartridges and chargers listed above may not be available depending on your region of residence.

⚠ WARNING: Only use the battery cartridges and chargers listed above. Use of any other battery cartridges and chargers may cause injury and/or fire.

Symbols

The followings show the symbols which may be used for the equipment. Be sure that you understand their meaning before use.



Read instruction manual.



Only for EU countries
Do not dispose of electric equipment or battery pack together with household waste material!
In observance of the European Directives, on Waste Electric and Electronic Equipment and Batteries and Accumulators and Waste Batteries and Accumulators and their implementation in accordance with national laws, electric equipment and batteries and battery pack(s) that have reached the end of their life must be collected separately and returned to an environmentally compatible recycling facility.

Intended use

The tool is intended for hammer drilling and drilling in brick, concrete and stone as well as for chiselling work.

SAFETY WARNINGS

General power tool safety warnings

⚠ WARNING: Read all safety warnings, instructions, illustrations and specifications provided with this power tool. Failure to follow all instructions listed below may result in electric shock, fire and/or serious injury.

Save all warnings and instructions for future reference.

The term "power tool" in the warnings refers to your mains-operated (corded) power tool or battery-operated (cordless) power tool.

Work area safety

1. **Keep work area clean and well lit.** Cluttered or dark areas invite accidents.
2. **Do not operate power tools in explosive atmospheres, such as in the presence of flammable liquids, gases or dust.** Power tools create sparks which may ignite the dust or fumes.
3. **Keep children and bystanders away while operating a power tool.** Distractions can cause you to lose control.

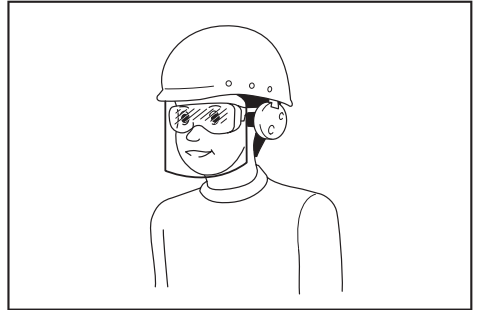
Electrical safety

1. **Power tool plugs must match the outlet. Never modify the plug in any way. Do not use any adapter plugs with earthed (grounded) power tools.** Unmodified plugs and matching outlets will reduce risk of electric shock.
2. **Avoid body contact with earthed or grounded surfaces, such as pipes, radiators, ranges and refrigerators.** There is an increased risk of electric shock if your body is earthed or grounded.
3. **Do not expose power tools to rain or wet conditions.** Water entering a power tool will increase the risk of electric shock.
4. **Do not abuse the cord. Never use the cord for carrying, pulling or unplugging the power tool. Keep cord away from heat, oil, sharp edges or moving parts.** Damaged or entangled cords increase the risk of electric shock.
5. **When operating a power tool outdoors, use an extension cord suitable for outdoor use.** Use of a cord suitable for outdoor use reduces the risk of electric shock.
6. **If operating a power tool in a damp location is unavoidable, use a residual current device (RCD) protected supply.** Use of an RCD reduces the risk of electric shock.
7. **Power tools can produce electromagnetic fields (EMF) that are not harmful to the user.** However, users of pacemakers and other similar medical devices should contact the maker of their device and/or doctor for advice before operating this power tool.

Personal safety

1. **Stay alert, watch what you are doing and use common sense when operating a power tool. Do not use a power tool while you are tired or under the influence of drugs, alcohol or medication.** A moment of inattention while operating power tools may result in serious personal injury.
2. **Use personal protective equipment. Always wear eye protection.** Protective equipment such as a dust mask, non-skid safety shoes, hard hat or hearing protection used for appropriate conditions will reduce personal injuries.
3. **Prevent unintentional starting. Ensure the switch is in the off-position before connecting to power source and/or battery pack, picking up or carrying the tool.** Carrying power tools with your finger on the switch or energising power tools that have the switch on invites accidents.
4. **Remove any adjusting key or wrench before turning the power tool on.** A wrench or a key left attached to a rotating part of the power tool may result in personal injury.
5. **Do not overreach. Keep proper footing and balance at all times.** This enables better control of the power tool in unexpected situations.
6. **Dress properly. Do not wear loose clothing or jewellery. Keep your hair and clothing away from moving parts.** Loose clothes, jewellery or long hair can be caught in moving parts.
7. **If devices are provided for the connection of dust extraction and collection facilities, ensure these are connected and properly used.** Use of dust collection can reduce dust-related hazards.

8. **Do not let familiarity gained from frequent use of tools allow you to become complacent and ignore tool safety principles.** A careless action can cause severe injury within a fraction of a second.
9. **Always wear protective goggles to protect your eyes from injury when using power tools.** The goggles must comply with ANSI Z87.1 in the USA, EN 166 in Europe, or AS/NZS 1336 in Australia/New Zealand. In Australia/New Zealand, it is legally required to wear a face shield to protect your face, too.



It is an employer's responsibility to enforce the use of appropriate safety protective equipments by the tool operators and by other persons in the immediate working area.

Power tool use and care

1. **Do not force the power tool. Use the correct power tool for your application.** The correct power tool will do the job better and safer at the rate for which it was designed.
2. **Do not use the power tool if the switch does not turn it on and off.** Any power tool that cannot be controlled with the switch is dangerous and must be repaired.
3. **Disconnect the plug from the power source and/or remove the battery pack, if detachable, from the power tool before making any adjustments, changing accessories, or storing power tools.** Such preventive safety measures reduce the risk of starting the power tool accidentally.
4. **Store idle power tools out of the reach of children and do not allow persons unfamiliar with the power tool or these instructions to operate the power tool.** Power tools are dangerous in the hands of untrained users.
5. **Maintain power tools and accessories. Check for misalignment or binding of moving parts, breakage of parts and any other condition that may affect the power tool's operation. If damaged, have the power tool repaired before use.** Many accidents are caused by poorly maintained power tools.
6. **Keep cutting tools sharp and clean.** Properly maintained cutting tools with sharp cutting edges are less likely to bind and are easier to control.

7. **Use the power tool, accessories and tool bits etc. in accordance with these instructions, taking into account the working conditions and the work to be performed.** Use of the power tool for operations different from those intended could result in a hazardous situation.
8. **Keep handles and grasping surfaces dry, clean and free from oil and grease.** Slippery handles and grasping surfaces do not allow for safe handling and control of the tool in unexpected situations.
9. **When using the tool, do not wear cloth work gloves which may be entangled.** The entanglement of cloth work gloves in the moving parts may result in personal injury.

Battery tool use and care

1. **Recharge only with the charger specified by the manufacturer.** A charger that is suitable for one type of battery pack may create a risk of fire when used with another battery pack.
2. **Use power tools only with specifically designated battery packs.** Use of any other battery packs may create a risk of injury and fire.
3. **When battery pack is not in use, keep it away from other metal objects, like paper clips, coins, keys, nails, screws or other small metal objects, that can make a connection from one terminal to another.** Shorting the battery terminals together may cause burns or a fire.
4. **Under abusive conditions, liquid may be ejected from the battery; avoid contact. If contact accidentally occurs, flush with water. If liquid contacts eyes, additionally seek medical help.** Liquid ejected from the battery may cause irritation or burns.
5. **Do not use a battery pack or tool that is damaged or modified.** Damaged or modified batteries may exhibit unpredictable behaviour resulting in fire, explosion or risk of injury.
6. **Do not expose a battery pack or tool to fire or excessive temperature.** Exposure to fire or temperature above 130 °C may cause explosion.
7. **Follow all charging instructions and do not charge the battery pack or tool outside the temperature range specified in the instructions.** Charging improperly or at temperatures outside the specified range may damage the battery and increase the risk of fire.

Service

1. **Have your power tool serviced by a qualified repair person using only identical replacement parts.** This will ensure that the safety of the power tool is maintained.
2. **Never service damaged battery packs.** Service of battery packs should only be performed by the manufacturer or authorized service providers.
3. **Follow instruction for lubricating and changing accessories.**

CORDLESS ROTARY HAMMER SAFETY WARNINGS

1. **Wear ear protectors.** Exposure to noise can cause hearing loss.
2. **Use auxiliary handle(s), if supplied with the tool.** Loss of control can cause personal injury.
3. **Hold power tool by insulated gripping surfaces, when performing an operation where the cutting accessory may contact hidden wiring.** Cutting accessory contacting a "live" wire may make exposed metal parts of the power tool "live" and could give the operator an electric shock.
4. **Wear a hard hat (safety helmet), safety glasses and/or face shield.** Ordinary eye or sun glasses are NOT safety glasses. It is also highly recommended that you wear a dust mask and thickly padded gloves.
5. **Be sure the bit is secured in place before operation.**
6. **Under normal operation, the tool is designed to produce vibration. The screws can come loose easily, causing a breakdown or accident. Check tightness of screws carefully before operation.**
7. **In cold weather or when the tool has not been used for a long time, let the tool warm up for a while by operating it under no load. This will loosen up the lubrication. Without proper warm-up, hammering operation is difficult.**
8. **Always be sure you have a firm footing. Be sure no one is below when using the tool in high locations.**
9. **Hold the tool firmly with both hands.**
10. **Keep hands away from moving parts.**
11. **Do not leave the tool running. Operate the tool only when hand-held.**
12. **Do not point the tool at any one in the area when operating. The bit could fly out and injure someone seriously.**
13. **Do not touch the bit, parts close to the bit, or workpiece immediately after operation; they may be extremely hot and could burn your skin.**
14. **Some material contains chemicals which may be toxic. Take caution to prevent dust inhalation and skin contact. Follow material supplier safety data.**
15. **Always be sure that the tool is switched off and the battery cartridge and the bit are removed before handing the tool to other person.**
16. **Before operation, make sure that there is no buried object such as electric pipe, water pipe or gas pipe in the working area.** Otherwise, the drill bit/chisel may touch them, resulting an electric shock, electrical leakage or gas leak.
17. **Do not operate the tool at no-load unnecessarily.**

SAVE THESE INSTRUCTIONS.

⚠WARNING: DO NOT let comfort or familiarity with product (gained from repeated use) replace strict adherence to safety rules for the subject product. MISUSE or failure to follow the safety rules stated in this instruction manual may cause serious personal injury.

Important safety instructions for battery cartridge

1. Before using battery cartridge, read all instructions and cautionary markings on (1) battery charger, (2) battery, and (3) product using battery.
2. Do not disassemble or tamper the battery cartridge. It may result in a fire, excessive heat, or explosion.
3. If operating time has become excessively shorter, stop operating immediately. It may result in a risk of overheating, possible burns and even an explosion.
4. If electrolyte gets into your eyes, rinse them out with clear water and seek medical attention right away. It may result in loss of your eyesight.
5. Do not short the battery cartridge:
 - (1) Do not touch the terminals with any conductive material.
 - (2) Avoid storing battery cartridge in a container with other metal objects such as nails, coins, etc.
 - (3) Do not expose battery cartridge to water or rain.

A battery short can cause a large current flow, overheating, possible burns and even a breakdown.

6. Do not store and use the tool and battery cartridge in locations where the temperature may reach or exceed 50 °C (122 °F).
7. Do not incinerate the battery cartridge even if it is severely damaged or is completely worn out. The battery cartridge can explode in a fire.
8. Do not nail, cut, crush, throw, drop the battery cartridge, or hit against a hard object to the battery cartridge. Such conduct may result in a fire, excessive heat, or explosion.
9. Do not use a damaged battery.
10. The contained lithium-ion batteries are subject to the Dangerous Goods Legislation requirements.

For commercial transports e.g. by third parties, forwarding agents, special requirement on packaging and labeling must be observed.
For preparation of the item being shipped, consulting an expert for hazardous material is required. Please also observe possibly more detailed national regulations.
Tape or mask off open contacts and pack up the battery in such a manner that it cannot move around in the packaging.
11. When disposing the battery cartridge, remove it from the tool and dispose of it in a safe place. Follow your local regulations relating to disposal of battery.

12. Use the batteries only with the products specified by Makita. Installing the batteries to non-compliant products may result in a fire, excessive heat, explosion, or leak of electrolyte.
13. If the tool is not used for a long period of time, the battery must be removed from the tool.
14. During and after use, the battery cartridge may take on heat which can cause burns or low temperature burns. Pay attention to the handling of hot battery cartridges.
15. Do not touch the terminal of the tool immediately after use as it may get hot enough to cause burns.
16. Do not allow chips, dust, or soil stuck into the terminals, holes, and grooves of the battery cartridge. It may result in poor performance or breakdown of the tool or battery cartridge.
17. Unless the tool supports the use near high-voltage electrical power lines, do not use the battery cartridge near a high-voltage electrical power lines. It may result in a malfunction or breakdown of the tool or battery cartridge.
18. Keep the battery away from children.

SAVE THESE INSTRUCTIONS.

⚠CAUTION: Only use genuine Makita batteries. Use of non-genuine Makita batteries, or batteries that have been altered, may result in the battery bursting causing fires, personal injury and damage. It will also void the Makita warranty for the Makita tool and charger.

Tips for maintaining maximum battery life

1. Charge the battery cartridge before completely discharged. Always stop tool operation and charge the battery cartridge when you notice less tool power.
2. Never recharge a fully charged battery cartridge. Overcharging shortens the battery service life.
3. Charge the battery cartridge with room temperature at 10 °C - 40 °C (50 °F - 104 °F). Let a hot battery cartridge cool down before charging it.
4. When not using the battery cartridge, remove it from the tool or the charger.
5. Charge the battery cartridge if you do not use it for a long period (more than six months).

Important safety instructions for wireless unit

1. Do not disassemble or tamper with the wireless unit.
2. Keep the wireless unit away from young children. If accidentally swallowed, seek medical attention immediately.
3. Use the wireless unit only with Makita tools.
4. Do not expose the wireless unit to rain or wet conditions.
5. Do not use the wireless unit in places where the temperature exceeds 50°C (122°F).

6. Do not operate the wireless unit in places where medical instruments, such as heart pace makers are nearby.
7. Do not operate the wireless unit in places where automated devices are nearby. If operated, automated devices may develop malfunction or error.
8. Do not operate the wireless unit in places under high temperature or places where static electricity or electrical noise could be generated.
9. The wireless unit can produce electromagnetic fields (EMF) but they are not harmful to the user.
10. The wireless unit is an accurate instrument. Be careful not to drop or strike the wireless unit.
11. Avoid touching the terminal of the wireless unit with bare hands or metallic materials.
12. Always remove the battery on the product when installing the wireless unit into it.
13. When opening the lid of the slot, avoid the place where dust and water may come into the slot. Always keep the inlet of the slot clean.
14. Always insert the wireless unit in the correct direction.
15. Do not press the wireless activation button on the wireless unit too hard and/or press the button with an object with a sharp edge.
16. Always close the lid of the slot when operating.
17. Do not remove the wireless unit from the slot while the power is being supplied to the tool. Doing so may cause a malfunction of the wireless unit.
18. Do not remove the sticker on the wireless unit.
19. Do not put any sticker on the wireless unit.
20. Do not leave the wireless unit in a place where static electricity or electrical noise could be generated.
21. Do not leave the wireless unit in a place subject to high heat, such as a car sitting in the sun.
22. Do not leave the wireless unit in a dusty or powdery place or in a place corrosive gas could be generated.
23. Sudden change of the temperature may bedew the wireless unit. Do not use the wireless unit until the dew is completely dried.
24. When cleaning the wireless unit, gently wipe with a dry soft cloth. Do not use benzine, thinner, conductive grease or the like.
25. When storing the wireless unit, keep it in the supplied case or a static-free container.
26. Do not insert any devices other than Makita wireless unit into the slot on the tool.
27. Do not use the tool with the lid of the slot damaged. Water, dust, and dirt come into the slot may cause malfunction.
28. Do not pull and/or twist the lid of the slot more than necessary. Restore the lid if it comes off from the tool.

29. Replace the lid of the slot if it is lost or damaged.

SAVE THESE INSTRUCTIONS.

FUNCTIONAL DESCRIPTION

CAUTION: Always be sure that the tool is switched off and the battery cartridge is removed before adjusting or checking function on the tool.

Installing or removing battery cartridge

CAUTION: Always switch off the tool before installing or removing of the battery cartridge.

CAUTION: Hold the tool and the battery cartridge firmly when installing or removing battery cartridge. Failure to hold the tool and the battery cartridge firmly may cause them to slip off your hands and result in damage to the tool and battery cartridge and a personal injury.

► Fig.1: 1. Red indicator 2. Button 3. Battery cartridge

To remove the battery cartridge, slide it from the tool while sliding the button on the front of the cartridge.

To install the battery cartridge, align the tongue on the battery cartridge with the groove in the housing and slip it into place. Insert it all the way until it locks in place with a little click. If you can see the red indicator on the upper side of the button, it is not locked completely.

CAUTION: Always install the battery cartridge fully until the red indicator cannot be seen. If not, it may accidentally fall out of the tool, causing injury to you or someone around you.

CAUTION: Do not install the battery cartridge forcibly. If the cartridge does not slide in easily, it is not being inserted correctly.

Indicating the remaining battery capacity

Press the check button on the battery cartridge to indicate the remaining battery capacity. The indicator lamps light up for a few seconds.

► Fig.2: 1. Indicator lamps 2. Check button

Indicator lamps			Remaining capacity
Lighted	Off	Blinking	
■	□	▧	75% to 100%
■ ■ ■ ■			
■ ■ ■ ■	□		50% to 75%
■ ■ ■ ■	□ □		25% to 50%
■ ■ ■ ■	□ □ □ □		0% to 25%
▧	□ □ □ □		Charge the battery.
■ ■ ■ ■	□ □ □ □		The battery may have malfunctioned.
□ □ □ □	■ ■ ■ ■	↑ ↓	

NOTE: Depending on the conditions of use and the ambient temperature, the indication may differ slightly from the actual capacity.

NOTE: The first (far left) indicator lamp will blink when the battery protection system works.

Tool / battery protection system

The tool is equipped with a tool/battery protection system. This system automatically cuts off power to the motor to extend tool and battery life. The tool will automatically stop during operation if the tool or battery is placed under one of the following conditions:

Overload protection

When the tool or battery is operated in a manner that causes it to draw an abnormally high current, the tool automatically stops without any indication. In this situation, turn the tool off and stop the application that caused the tool to become overloaded. Then turn the tool on to restart.

Overheat protection

When the tool or battery is overheated, the tool stops automatically and the lamp blinks. In this case, let the tool and battery cool before turning the tool on again.

Overdischarge protection

When the battery capacity is not enough, the tool stops automatically. In this case, remove the battery from the tool and charge the battery.

Switch action

WARNING: Before installing the battery cartridge into the tool, always check to see that the switch trigger actuates properly and returns to the "OFF" position when released.

CAUTION: When not operating the tool, depress the trigger-lock button from A side to lock the switch trigger in the OFF position.

► Fig.3: 1. Switch trigger 2. Trigger-lock button

To prevent the switch trigger from accidentally pulled, the trigger-lock button is provided. To start the tool, depress the trigger-lock button from A side and pull the switch trigger. Release the switch trigger to stop. After use, press in the trigger-lock button from B side.

Speed change

The revolutions and blows per minute can be adjusted by turning the adjusting dial. The dial is marked 1 (lowest speed) to 5 (full speed).

► Fig.4: 1. Adjusting dial

Refer to the table below for the relationship between the number on the adjusting dial and the revolutions and blows per minute.

Number	Revolutions per minute	Blows per minute
5	500	2900
4	470	2700
3	380	2150
2	290	1650
1	250	1450

CAUTION: Do not turn the adjusting dial when the tool is running. Failure to do so may result in the loss of control of the tool and cause an injury.

NOTICE: If the tool is operated continuously at low speed for a long time, the motor will get overloaded, resulting in tool malfunction.

NOTICE: The speed adjusting dial can be turned only as far as 5 and back to 1. Do not force it past 5 or 1, or the speed adjusting function may no longer work.

NOTE: Soft no-load rotation function

When the speed adjusting dial is set to "3" or higher, the tool automatically reduces the speed at no-load to reduce the vibration under no-load.

Once operation starts with a bit against concrete, blows per minute increase and reach the numbers as shown in the table.

When temperature is low, the tool may not have this function even with the motor rotating.

Lighting up the front lamp

► Fig.5: 1. Lamp

CAUTION: Do not look in the light or see the source of light directly.

Pull the switch trigger to light up the lamp. The lamp keeps on lighting while the switch trigger is being pulled. The lamp goes out approximately 10 seconds after releasing the switch trigger.

NOTICE: If the lamp goes off after blinking for a few seconds, the active feedback sensing technology is not working properly. Ask your local Makita Service Center for repair.


NOTE: Use a dry cloth to wipe the dirt off the lens of the lamp. Be careful not to scratch the lens of lamp, or it may lower the illumination.

Selecting the action mode

NOTICE: Do not rotate the action mode changing knob when the tool is running. The tool will be damaged.


NOTICE: To avoid rapid wear on the mode change mechanism, be sure that the action mode changing knob is always positively located in one of the three action mode positions.

Rotation with hammering

For drilling in concrete, masonry, etc., rotate the action mode changing knob to the  symbol. Use a carbide-tipped drill bit.

► Fig.6: 1. Action mode changing knob 2. Pointer

Hammering only

For chipping, scaling or demolition operations, rotate the action mode changing knob to the  symbol. Use a bull point, cold chisel, scaling chisel, etc.

► Fig.7: 1. Pointer 2. Action mode changing knob

Torque limiter

NOTICE: As soon as the torque limiter actuates, switch off the tool immediately. This will help prevent premature wear of the tool.

NOTICE: Drill bits such as hole saw, which tend to pinch or catch easily in the hole, are not appropriate for this tool. This is because they will cause the torque limiter to actuate too frequently.

The torque limiter will actuate when a certain torque level is reached. The motor will disengage from the output shaft. When this happens, the drill bit will stop turning.

Electronic function

The tool is equipped with the electronic functions for easy operation.

Constant speed control

The speed control function provides the constant rotation speed regardless of load conditions.

Soft start

The soft-start function minimizes start-up shock, and makes the machine start smoothly.

Active Feedback sensing Technology

If the tool body suddenly rotates at the specified acceleration due to the drill bit locking, etc., the motor is forcibly stopped to reduce the burden on the wrist.

NOTE: The active feedback sensing technology function does not work if the acceleration does not reach the specified one.

NOTE: The active feedback sensing technology function also actuates just when the bit simply swung at the specified acceleration in any operation.

In this case, release the switch trigger, and then pull the switch trigger to restart the tool.

Electric brake

This tool is equipped with an electric brake. If the tool consistently fails to quickly stop after the switch trigger is released, have the tool serviced at a Makita service center.

ASSEMBLY

CAUTION: Always be sure that the tool is switched off and the battery cartridge is removed before carrying out any work on the tool.

Side handle

► Fig.8

CAUTION: Use the side handle only when chipping, scaling or demolishing. Do not use it when drilling in concrete, masonry, etc. The tool cannot be held properly with this side handle when drilling.

► Fig.9: 1. Side handle 2. Clamp nut

The side handle can be swung in a vertical direction and secured at any desired position. It can also be adjusted at eight steps back and forth in a horizontal direction. Loosen the clamp nut to swing the side handle to a desired position, and then tighten the clamp nut securely.

Side grip (auxiliary handle)

⚠ CAUTION: Always use the side grip to ensure safe operation.

⚠ CAUTION: After installing or adjusting the side grip, make sure that the side grip is firmly secured.

The side grip can be swung, allowing easy handling of the tool in any position. Loosen the side grip by turning it counterclockwise, swing it to the desired position and then tighten it by turning clockwise.

► **Fig.10:** 1. Side grip

Installing or removing drill bit

Grease

Clean the shank end of the bit and apply grease before installing the bit.

Coat the shank end of the bit beforehand with a small amount of grease (about 0.5 - 1 g). This chuck lubrication assures smooth action and longer service life.

► **Fig.11:** 1. Shank end 2. Grease

Insert the drill bit into the tool. Turn the drill bit and push it in until it engages.


After installing the drill bit, always make sure that the drill bit is securely held in place by trying to pull it out.

► **Fig.12:** 1. Drill bit


To remove the drill bit, pull the chuck cover down all the way and pull the drill bit out.

► **Fig.13:** 1. Drill bit 2. Chuck cover

Chisel angle (when chipping, scaling or demolishing)

The chisel can be secured at the desired angle. To change the chisel angle, rotate the action mode changing knob to the  symbol. Turn the chisel to the desired angle.

► **Fig.14:** 1. Action mode changing knob 2. Pointer

Rotate the action mode changing knob to the  symbol. Then make sure that the chisel is securely held in place by turning it slightly.

Depth gauge

The depth gauge is convenient for drilling holes of uniform depth.

Press and hold the lock button, and then insert the depth gauge into the hex hole.

► **Fig.15:** 1. Depth gauge 2. Lock button

Make sure that the toothed side of the depth gauge faces the marking.

► **Fig.16:** 1. Marking 2. Toothed side

Adjust the depth gauge by moving it back and forth while pressing the lock button. After the adjustment, release the lock button to lock the depth gauge.

NOTE: Make sure that the depth gauge does not touch the main body of the tool when attaching it.

Dust extractor attachment

Optional accessory

Installing the dust extractor attachment

1. Loosen the side grip on the tool.
2. Install the dust cover so that the claws of the dust cover fit in the grooves between the tool and the side grip.
► **Fig.17:** 1. Dust cover 2. Claw 3. Groove
3. Tighten the side grip securely.
4. Set the suitable bellows or dust cover extension for your work. When you use bellows, attach the joint to its top. When you stack two bellows, connect them with the joint.
► **Fig.18:** 1. Dust cover extension 2. Dust cover 3. Joint 4. Bellows

Connecting the tool to the vacuum cleaner

1. Attach the holder joint to the tool, and then attach the hose holder to the holder joint.
► **Fig.19:** 1. Holder joint 2. Hose holder

NOTE: The hose joint can be attached to either side of the tool.

⚠ WARNING: Use the mounting part of the tool only for attaching the holder joint.

Using the mounting part for any other purpose may cause an unexpected accident.

2. Fix the hose to the hose holder.
► **Fig.20:** 1. Hose holder

NOTE: Use joint 25 to connect the hose and the dust cover if necessary.

Using depth gauge for drilling operation

When you stack two bellows, attach the depth gauge extension to the depth gauge.

► **Fig.21:** 1. Depth gauge extension

Dust extractor attachment (for hammering only)

Optional accessory

1. Install the hose holder (A/B).
When the side handle is installed to tool, loosen the clamp nut, and then remove the hex bolt. Install the hose holder (A) between the hex bolt and the clamp nut by tightening the clamp nut firmly.
► **Fig.22:** 1. Hex bolt 2. Hose holder (A) 3. Clamp nut
- When the side grip is installed to the tool, loosen the side grip, mount the hose holder (B) to the shaft, and then tighten the side grip firmly.
► **Fig.23:** 1. Hose holder (B) 2. Shaft 3. Side grip

2. Attach the holder joint to the tool, and then attach the hose holder (C) to the holder joint.

► **Fig.24:** 1. Holder joint 2. Hose holder (C)

NOTE: The hose joint can be attached to either side of the tool.

⚠WARNING: Use the mounting part of the tool only for attaching the holder joint.

Using the mounting part for any other purpose may cause an unexpected accident.

3. Attach the dust cover and the hose to the tool, and then fix the hose to the hose holders.

► **Fig.25:** 1. Dust cover 2. Hose 3. Hose holder (A/B) 4. Hose holder (C)

4. Connect the hose to the hose of the vacuum cleaner with the hose joint.

NOTE: If the hose is not included, attach the dust cover to the cleaner's hose or attach it to Makita's hose $\varnothing 28$.

5. Adjust the distance between the dust cover and the tip of the chisel or bull point. The recommended distance is 30 mm to 100 mm.

► **Fig.26:** (1) 30 mm to 100 mm

OPERATION

⚠CAUTION: Always use the side handle / side grip (auxiliary handle) and firmly hold the tool by both side handle / side grip and switch handle during operations.

⚠CAUTION: Always make sure that the workpiece is secured before operation. Failure to properly secure the workpiece may cause the workpiece to move resulting in injury.

⚠CAUTION: Do not pull the tool out forcibly even the bit gets stuck. Loss of control may cause injury.

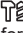
⚠CAUTION: Do not leave the tool stabbed in the workpiece. Otherwise the tool may start unintentionally and cause an injury.

NOTE: If the battery cartridge is in low temperature, the tool's capability may not be fully obtained. In this case, warm up the battery cartridge by using the tool with no load for a while to fully obtain the tool's capability.

► **Fig.27**

Hammer drilling operation


⚠CAUTION: There is tremendous and sudden twisting force exerted on the tool/drill bit at the time of hole break-through, when the hole becomes clogged with chips and particles, or when striking reinforcing rods embedded in the concrete. **Always use the side grip (auxiliary handle) and firmly hold the tool by both side grip and switch handle during operations.** Failure to do so may result in the loss of control of the tool and potentially severe injury.

Set the action mode changing knob to the  symbol. Position the drill bit at the desired location for the hole, then pull the switch trigger. Do not force the tool. Light pressure gives best results. Keep the tool in position and prevent it from slipping away from the hole.

Do not apply more pressure when the hole becomes clogged with chips or particles. Instead, run the tool at an idle, then remove the drill bit partially from the hole. By repeating this several times, the hole will be cleaned out and normal drilling may be resumed.

NOTE: Eccentricity in the drill bit rotation may occur while operating the tool with no load. The tool automatically centers itself during operation. This does not affect the drilling precision.

Chipping/Scaling/Demolition

Set the action mode changing knob to the  symbol. Hold the tool firmly with both hands. Turn the tool on and apply slight pressure on the tool so that the tool will not bounce around, uncontrolled. Pressing very hard on the tool will not increase the efficiency.

► **Fig.28**

Blow-out bulb

Optional accessory

After drilling the hole, use the blow-out bulb to clean the dust out of the hole.

► **Fig.29**

WIRELESS ACTIVATION FUNCTION

Optional accessory

What you can do with the wireless activation function

The wireless activation function enables clean and comfortable operation. By connecting a supported vacuum cleaner to the tool, you can run the vacuum cleaner automatically along with the switch operation of the tool.

► Fig.30

To use the wireless activation function, prepare following items:

- A wireless unit (optional accessory)
- A vacuum cleaner which supports the wireless activation function

The overview of the wireless activation function setting is as follows. Refer to each section for detail procedures.

1. Installing the wireless unit
2. Tool registration for the vacuum cleaner
3. Starting the wireless activation function

Installing the wireless unit

Optional accessory

▲ CAUTION: Place the tool on a flat and stable surface when installing the wireless unit.

NOTICE: Clean the dust and dirt on the tool before installing the wireless unit. Dust or dirt may cause malfunction if it comes into the slot of the wireless unit.

NOTICE: To prevent the malfunction caused by static, touch a static discharging material, such as a metal part of the tool, before picking up the wireless unit.

NOTICE: When installing the wireless unit, always be sure that the wireless unit is inserted in the correct direction and the lid is completely closed.

1. Open the lid on the tool as shown in the figure.
► Fig.31: 1. Lid
2. Insert the wireless unit to the slot and then close the lid.

When inserting the wireless unit, align the projections with the recessed portions on the slot.

- Fig.32: 1. Wireless unit 2. Projection 3. Lid
4. Recessed portion

When removing the wireless unit, open the lid slowly. The hooks on the back of the lid will lift the wireless unit as you pull up the lid.

- Fig.33: 1. Wireless unit 2. Hook 3. Lid

After removing the wireless unit, keep it in the supplied case or a static-free container.

NOTICE: Always use the hooks on the back of the lid when removing the wireless unit. If the hooks do not catch the wireless unit, close the lid completely and open it slowly again.

Tool registration for the vacuum cleaner

NOTE: A Makita vacuum cleaner supporting the wireless activation function is required for the tool registration.

NOTE: Finish installing the wireless unit to the tool before starting the tool registration.

NOTE: During the tool registration, do not pull the switch trigger or turn on the power switch on the vacuum cleaner.

NOTE: Refer to the instruction manual of the vacuum cleaner, too.

If you wish to activate the vacuum cleaner along with the switch operation of the tool, finish the tool registration beforehand.

1. Install the batteries to the vacuum cleaner and the tool.
2. Set the stand-by switch on the vacuum cleaner to "AUTO".

► Fig.34: 1. Stand-by switch

3. Press the wireless activation button on the vacuum cleaner for 3 seconds until the wireless activation lamp blinks in green. And then press the wireless activation button on the tool in the same way.

► Fig.35: 1. Wireless activation button 2. Wireless activation lamp

If the vacuum cleaner and the tool are linked successfully, the wireless activation lamps will light up in green for 2 seconds and start blinking in blue.

NOTE: The wireless activation lamps finish blinking in green after 20 seconds elapsed. Press the wireless activation button on the tool while the wireless activation lamp on the cleaner is blinking. If the wireless activation lamp does not blink in green, push the wireless activation button briefly and hold it down again.

NOTE: When performing two or more tool registrations for one vacuum cleaner, finish the tool registration one by one.

Starting the wireless activation function

NOTE: Finish the tool registration for the vacuum cleaner prior to the wireless activation.

NOTE: Refer to the instruction manual of the vacuum cleaner, too.

After registering a tool to the vacuum cleaner, the vacuum cleaner will automatically runs along with the switch operation of the tool.

1. Install the wireless unit to the tool.
2. Connect the hose of the vacuum cleaner with the tool.

► Fig.36

3. Set the stand-by switch on the vacuum cleaner to "AUTO".

► **Fig.37:** 1. Stand-by switch

4. Push the wireless activation button on the tool briefly. The wireless activation lamp will blink in blue.

► **Fig.38:** 1. Wireless activation button 2. Wireless activation lamp

5. Pull the switch trigger of the tool. Check if the vacuum cleaner runs while the switch trigger is being pulled.

To stop the wireless activation of the vacuum cleaner, push the wireless activation button on the tool.

NOTE: The wireless activation lamp on the tool will stop blinking in blue when there is no operation for 2 hours. In this case, set the stand-by switch on the vacuum cleaner to "AUTO" and push the wireless activation button on the tool again.

NOTE: The vacuum cleaner starts/stops with a delay. There is a time lag when the vacuum cleaner detects a switch operation of the tool.










NOTE: The transmission distance of the wireless unit may vary depending on the location and surrounding circumstances.

NOTE: When two or more tools are registered to one vacuum cleaner, the vacuum cleaner may start running even if you do not pull the switch trigger because another user is using the wireless activation function.

Description of the wireless activation lamp status

► **Fig.39:** 1. Wireless activation lamp

The wireless activation lamp shows the status of the wireless activation function. Refer to the table below for the meaning of the lamp status.

Status	Wireless activation lamp			Duration	Description
	Color	 On	 Blinking		
Standby	Blue			2 hours	The wireless activation of the vacuum cleaner is available. The lamp will automatically turn off when no operation is performed for 2 hours.
				When the tool is running.	The wireless activation of the vacuum cleaner is available and the tool is running.
Tool registration	Green			20 seconds	Ready for the tool registration. Waiting for the registration by the vacuum cleaner.
				2 seconds	The tool registration has been finished. The wireless activation lamp will start blinking in blue.
Cancelling tool registration	Red			20 seconds	Ready for the cancellation of the tool registration. Waiting for the cancellation by the vacuum cleaner.
				2 seconds	The cancellation of the tool registration has been finished. The wireless activation lamp will start blinking in blue.
Others	Red			3 seconds	The power is supplied to the wireless unit and the wireless activation function is starting up.
	Off	-		-	The wireless activation of the vacuum cleaner is stopped.

Cancelling tool registration for the vacuum cleaner

Perform the following procedure when cancelling the tool registration for the vacuum cleaner.

1. Install the batteries to the vacuum cleaner and the tool.

2. Set the stand-by switch on the vacuum cleaner to "AUTO".

► **Fig.40:** 1. Stand-by switch

3. Press the wireless activation button on the vacuum cleaner for 6 seconds. The wireless activation lamp blinks in green and then become red. After that, press the wireless activation button on the tool in the same way.

► **Fig.41:** 1. Wireless activation button 2. Wireless activation lamp

If the cancellation is performed successfully, the wireless activation lamps will light up in red for 2 seconds and start blinking in blue.

NOTE: The wireless activation lamps finish blinking in red after 20 seconds elapsed. Press the wireless activation button on the tool while the wireless activation lamp on the cleaner is blinking. If the wireless activation lamp does not blink in red, push the wireless activation button briefly and hold it down again.

Troubleshooting for wireless activation function

Before asking for repairs, conduct your own inspection first. If you find a problem that is not explained in the manual, do not attempt to dismantle the tool. Instead, ask Makita Authorized Service Centers, always using Makita replacement parts for repairs.

State of abnormality	Probable cause (malfunction)	Remedy
The wireless activation lamp does not light/blink.	The wireless unit is not installed into the tool. The wireless unit is improperly installed into the tool.	Install the wireless unit correctly.
	The terminal of the wireless unit and/or the slot is dirty.	Gently wipe off dust and dirt on the terminal of the wireless unit and clean the slot.
	The wireless activation button on the tool has not been pushed.	Push the wireless activation button on the tool briefly.
	The stand-by switch on the vacuum cleaner is not set to "AUTO".	Set the stand-by switch on the vacuum cleaner to "AUTO".
	No power supply	Supply the power to the tool and the vacuum cleaner.
Cannot finish tool registration / cancelling tool registration successfully.	The wireless unit is not installed into the tool. The wireless unit is improperly installed into the tool.	Install the wireless unit correctly.
	The terminal of the wireless unit and/or the slot is dirty.	Gently wipe off dust and dirt on the terminal of the wireless unit and clean the slot.
	The stand-by switch on the vacuum cleaner is not set to "AUTO".	Set the stand-by switch on the vacuum cleaner to "AUTO".
	No power supply	Supply the power to the tool and the vacuum cleaner.
	Incorrect operation	Push the wireless activation button briefly and perform the tool registration/cancellation procedures again.
	The tool and vacuum cleaner are away from each other (out of the transmission range).	Get the tool and vacuum cleaner closer to each other. The maximum transmission distance is approximately 10 m however it may vary according to the circumstances.
	Before finishing the tool registration/cancellation; - the switch trigger on the tool is pulled or; - the power button on the vacuum cleaner is turned on.	Push the wireless activation button briefly and perform the tool registration/cancellation procedures again.
	The tool registration procedures for the tool or vacuum cleaner have not finished.	Perform the tool registration procedures for both the tool and the vacuum cleaner at the same timing.
Radio disturbance by other appliances which generate high-intensity radio waves.	Keep the tool and vacuum cleaner away from the appliances such as Wi-Fi devices and microwave ovens.	

State of abnormality	Probable cause (malfunction)	Remedy
The vacuum cleaner does not run along with the switch operation of the tool.	The wireless unit is not installed into the tool. The wireless unit is improperly installed into the tool.	Install the wireless unit correctly.
	The terminal of the wireless unit and/or the slot is dirty.	Gently wipe off dust and dirt on the terminal of the wireless unit and clean the slot.
	The wireless activation button on the tool has not been pushed.	Push the wireless activation button briefly and make sure that the wireless activation lamp is blinking in blue.
	The stand-by switch on the vacuum cleaner is not set to "AUTO".	Set the stand-by switch on the vacuum cleaner to "AUTO".
	More than 10 tools are registered to the vacuum cleaner.	Perform the tool registration again. If more than 10 tools are registered to the vacuum cleaner, the tool registered earliest will be cancelled automatically.
	The vacuum cleaner erased all tool registrations.	Perform the tool registration again.
	No power supply	Supply the power to the tool and the vacuum cleaner.
	The tool and vacuum cleaner are away from each other (out of the transmission range).	Get the tool and vacuum cleaner closer each other. The maximum transmission distance is approximately 10 m however it may vary according to the circumstances.
	Radio disturbance by other appliances which generate high-intensity radio waves.	Keep the tool and vacuum cleaner away from the appliances such as Wi-Fi devices and microwave ovens.
The vacuum cleaner runs while the tool's switch trigger is not pulled.	Other users are using the wireless activation of the vacuum cleaner with their tools.	Turn off the wireless activation button of the other tools or cancel the tool registration of the other tools.

MAINTENANCE

⚠ CAUTION: Always be sure that the tool is switched off and the battery cartridge is removed before attempting to perform inspection or maintenance.

NOTICE: Never use gasoline, benzene, thinner, alcohol or the like. Discoloration, deformation or cracks may result.

To maintain product SAFETY and RELIABILITY, repairs, any other maintenance or adjustment should be performed by Makita Authorized or Factory Service Centers, always using Makita replacement parts.

OPTIONAL ACCESSORIES

⚠ CAUTION: These accessories or attachments are recommended for use with your Makita tool specified in this manual. The use of any other accessories or attachments might present a risk of injury to persons. Only use accessory or attachment for its stated purpose.

If you need any assistance for more details regarding these accessories, ask your local Makita Service Center.

- SDS-MAX Carbide-tipped drill bits
- SDS-MAX bull point
- SDS-MAX cold chisel
- SDS-MAX scaling chisel
- SDS-MAX clay spade
- Bit grease
- Side handle
- Side grip
- Depth gauge
- Blow-out bulb
- Dust extractor attachment
- Safety goggles
- Wireless unit
- Makita genuine battery and charger
- Plastic carrying case

NOTE: Some items in the list may be included in the tool package as standard accessories. They may differ from country to country.

规格

型号:		HR005G
能力	硬质合金钻头	40 mm
	空心钻	105 mm
空载速度 (RPM)		250 - 500 /min
每分钟锤击数		1,450 - 2,900 /min
总长度	配置 BL4025	484 mm
	配置 BL4040	500 mm
额定电压		D.C. 36 V - 40 V (最大)
净重		7.4 - 8.2 kg

- 生产者保留变更规格不另行通知之权利。
- 规格和电池组可能因销往国家之不同而异。
- 重量因附件 (包括电池组) 而异。根据 EPTA-Procedure 01/2014, 最重与最轻的组合见表格。

适用电池组和充电器

电池组	BL4020 / BL4025 / BL4040* / BL4050F* *: 建议使用的电池
充电器	DC40RA / DC40RB / DC40RC

- 部分以上所列电池组和充电器是否适用视用户所在地区而异。

警告: 请仅使用以上所列电池组和充电器。使用其他类型的电池组或充电器可能会导致人身伤害和 / 或失火。

符号

以下显示本设备可能会使用的符号。在使用工具之前, 请务必理解其含义。



阅读使用说明书。



仅限于欧盟国家
请勿将电气设备或电池组与家庭普通废弃物一同丢弃!
请务必遵守欧洲关于废弃电子电气设备、电池和蓄电池以及废弃电池和蓄电池的指令并根据法律法规执行。达到使用寿命的电气设备和电池组必须分类回收至符合环境保护规定的再循环机构。

用途

本工具用于在砖块、混凝土和石块上钻孔冲击钻孔。

安全警告

电动工具通用安全警告

警告: 阅读随电动工具提供的所有安全警告、说明、图示和规定。不遵照以下所列说明会导致电击、着火和 / 或严重伤害。

保存所有警告和说明书以备查阅。

警告中的术语“电动工具”是指市电驱动（有线）电动工具或电池驱动（无线）电动工具。

工作场地的安全

1. 保持工作场地清洁和明亮。杂乱和黑暗的场地会引发事故。
2. 不要在易爆环境，如有易燃液体、气体或粉尘的环境下操作电动工具。电动工具产生的火花会点燃粉尘或气体。
3. 操作电动工具时，远离儿童和旁观者。注意力不集中会使你失去对工具的控制。

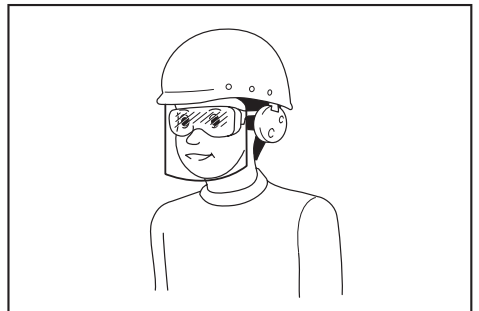
电气安全

1. 电动工具插头必须与插座相配。绝不能以任何方式改装插头。需接地的电动工具不能使用任何转换插头。未经改装的插头和相配的插座将降低电击风险。
2. 避免人体接触接地表面，如管道、散热片和冰箱。如果你身体接触接地表面会增加电击风险。
3. 不得将电动工具暴露在雨中或潮湿环境中。水进入电动工具将增加电击风险。
4. 不得滥用软线。绝不能用软线搬运、拉动电动工具或拔出其插头。使软线远离热源、油、锐边或运动部件。受损或缠绕的软线会增加电击风险。
5. 当在户外使用电动工具时，使用适合户外使用的延长线。适合户外使用的电线将降低电击风险。
6. 如果无法避免在潮湿环境中操作电动工具，应使用带有剩余电流装置（RCD）保护的电源。RCD 的使用可降低电击风险。
7. 电动工具会产生对用户无害的电磁场（EMF）。但是，起搏器和其他类似医疗设备的用户应在操作本电动工具前咨询其设备的制造商和 / 或医生寻求建议。

人身安全

1. 保持警觉，当操作电动工具时关注所从事的操作并保持清醒。当你感到疲倦，或在有药物、酒精或治疗反应时，不要操作电动工具。在操作电动工具时瞬间的疏忽会导致严重人身伤害。
2. 使用个人防护装置。始终佩戴护目镜。防护装置，诸如适当条件下使用防尘面具、防滑安全鞋、安全帽、听力防护等装置能减少人身伤害。

3. 防止意外起动。在连接电源和 / 或电池包、拿起或搬运工具前确保开关处于关闭位置。手指放在开关上搬运工具或开关处于接通时通电会导致危险。
4. 在电动工具接通之前，拿掉所有调节钥匙或扳手。遗留在电动工具旋转零件上的扳手或钥匙会导致人身伤害。
5. 手不要过分伸展。时刻注意立足点和身体平衡。这样能在意外情况下能更好地控制住电动工具。
6. 着装适当。不要穿宽松衣服或佩戴饰品。让你的头发和衣服远离运动部件。宽松衣服、配饰或长发可能会卷入运动部件。
7. 如果提供了与排屑、集尘设备连接用的装置，要确保其连接完好且使用得当。使用集尘装置可降低尘屑引起的危险。
8. 不要因为频繁使用工具而产生的熟悉感而掉以轻心，忽视工具的安全准则。某个粗心的动作可能在瞬间导致严重的伤害。
9. 使用电动工具时请始终佩戴护目镜以免伤害眼睛。护目镜须符合美国 ANSI Z87.1、欧洲 EN 166 或者澳大利亚 / 新西兰的 AS/NZS 1336 的规定。在澳大利亚 / 新西兰，法律要求佩带面罩保护脸部。



雇主有责任监督工具操作者和其他近工作区域人员佩带合适的安全防护设备。

电动工具使用和注意事项

1. 不要勉强使用电动工具，根据用途使用合适的电动工具。选用合适的按照额定值设计的电动工具会使你工作更有效、更安全。
2. 如果开关不能接通或切断电源，则不能使用该电动工具。不能通过开关来控制的电动工具是危险的且必须进行修理。

3. 在进行任何调节、更换附件或贮存电动工具之前，必须从电源上拔掉插头和/或卸下电池包（如可拆卸）。这种防护性的安全措施降低了电动工具意外起动的风险。
4. 将闲置不用的电动工具贮存在儿童所及范围之外，并且不允许不熟悉电动工具和不了解这些说明的人操作电动工具。电动工具在未经培训的使用者手中是危险的。
5. 维护电动工具及其附件。检查运动部件是否调整到位或卡住，检查零件破损情况和影响电动工具运行的其他状况。如有损坏，应在使用前修理好电动工具。许多事故是由维护不良的电动工具引发的。
6. 保持切削刀具锋利和清洁。维护良好地有锋利切削刃的刀具不易卡住而且容易控制。
7. 按照使用说明书，并考虑作业条件和要进行的作业来选择电动工具、附件和工具的刀头等。将电动工具用于那些与其用途不符的操作可能会导致危险情况。
8. 保持手柄和握持表面干燥、清洁，不得沾有油脂。在意外的情况下，湿滑的手柄不能保证握持的安全和对工具的控制。
9. 使用本工具时，请勿佩戴可能会缠结的布质工作手套。布质工作手套卷入移动部件可能会造成人身伤害。

6. 不要将电池包暴露于火或高温中。电池包暴露于火或高于 130 °C 的高温中可能导致爆炸。
7. 遵循所有充电说明。不要在说明书中指定的温度范围之外给电池包或电动工具充电。不正确或在指定的温度范围外充电可能会损坏电池和增加着火的风险。

维修

1. 让专业维修人员使用相同的备件维修电动工具。这将保证所维修的电动工具的安全。
2. 决不能维修损坏的电池包。电池包仅能由生产者或其授权的维修服务商进行维修。
3. 上润滑油及更换附件时请遵循本说明书指示。

锤类工具的安全警告

1. 戴好耳罩。暴露在噪声中会引起听力损伤。
2. 使用随工具提供的辅助手柄。操作失手会引起人身伤害。
3. 在切削附件可能触及暗线进行操作时，要通过绝缘握持面来握持工具。切削附件碰到带电导线会使工具外露金属零件带电从而使操作者受到电击。
4. 请佩戴硬质帽子（安全头盔）、安全眼镜和/或面罩。普通眼镜或太阳眼镜并非安全眼镜。强烈建议您佩戴防尘面罩和厚手套。
5. 请在操作前确保钻头到位。
6. 该工具在正常操作下是用来产生振动。螺丝容易松动，造成故障或事故。操作前仔细检查螺钉的紧固度。
7. 在寒冷天气或该工具长时间未使用时，请在无负载下运行该工具以让其预热一会。这会提升润滑度。若没有适当预热，钻孔操作会很困难。
8. 请务必确保立足稳固。在高空使用工具时确保下方无人。
9. 需用双手握紧工具。
10. 手应远离移动的部件。
11. 运行中的工具不可离手放置。只可在手握工具的情况下操作工具。
12. 操作时请勿将工具对准近旁任何人。钻头会飞出以致严重伤害他人。
13. 操作之后，请勿立刻触摸钻头、靠近钻头的部件或工件，因为它们可能会非常烫而导致烫伤皮肤。

电池式工具使用和注意事项

1. 仅使用生产者规定的充电器充电。将适用于某种电池包的充电器用到其他电池包时可能会发生着火危险。
2. 仅使用配有专用电池包的电动工具。使用其他电池包可能会产生伤害和着火危险。
3. 当电池包不用时，将它远离其他金属物体，例如回形针、硬币、钥匙、钉子、螺钉或其他小金属物体，以防电池包一端与另一端连接。电池组端部短路可能会引起燃烧或着火。
4. 在滥用条件下，液体可能会从电池组中溅出；应避免接触。如果意外碰到液体，用水冲洗。如果液体碰到了眼睛，还应寻求医疗帮助。从电池中溅出的液体可能会发生腐蚀或燃烧。
5. 不要使用损坏或改装过的电池包或工具。损坏或改装过的电池组可能呈现无法预测的结果，导致着火、爆炸或伤害。

14. 某些材料含有有毒化学物质。小心不要吸入粉尘，并避免皮肤接触。遵循材料供应商的安全提示。
 15. 将工具交给他人之前，请务必关闭工具电源并取出电池组和钻头。
 16. 操作前，请务必保证工作区内无埋藏物，例如电气配管、水管或气体管。否则，钻头/凿刃可能会触及上述部件，引发触电、漏电或漏气。
 17. 如无必要，请勿在空载状态下操作工具。
请保留此说明书。
10. 本工具附带的锂离子电池需符合危险品法规要求。
第三方或转运代理等进行商业运输时，应遵循包装和标识方面的特殊要求。
有关运输项目的准备作业，咨询危险品方面的专业人士。同时，请遵守可能更为详尽的国家法规。
请使用胶带保护且勿遮掩表面的联络信息，并牢固封装电池，使电池在包装内不可动。

警告： 请勿为图方便或因对产品足够熟悉（由于重复使用而获得的经验）而不严格遵循相关产品安全规则。使用不当或不遵循使用说明书中的安全规则会导致严重的人身伤害。

电池组的重要安全注意事项

1. 在使用电池组之前，请仔细阅读所有的说明以及（1）电池充电器，（2）电池，以及（3）使用电池的的产品上的警告标记。
2. 切勿拆卸或改装电池组。否则可能引起火灾、过热或爆炸。
3. 如果机器运行时间变得过短，请立即停止使用。否则可能会导致过热、起火甚至爆炸。
4. 如果电解液进入您的眼睛，用清水将其冲洗干净并立即就医。否则可能会导致视力受损。
5. 请勿使电池组短路：
 - (1) 请勿使任何导电材料碰到端子。
 - (2) 避免将电池组与其他金属物品如钉子、硬币等放置在同一容器内。
 - (3) 请勿将电池组置于水中或使其淋雨。电池短路将产生大的电流，导致过热，并可能导致起火甚至击穿。
6. 请勿在温度可能达到或超过 **50°C (122°F)** 的场所存放以及使用工具和电池组。
7. 即使电池组已经严重损坏或完全磨损，也请勿焚烧电池组。电池组会在火中爆炸。
8. 请勿对电池组射钉，或者切削、挤压、抛掷、掉落电池组，又或者用硬物撞击电池组。否则可能引起火灾、过热或爆炸。
9. 请勿使用损坏的电池。

11. 丢弃电池组时，需将其从工具上卸下并在安全地带进行处理。关于如何处理废弃的电池，请遵循当地法规。
12. 仅将电池用于 **Makita (牧田)** 指定的产品。将电池安装至不兼容的产品会导致起火、过热、爆炸或电解液泄漏。
13. 如长时间未使用工具，必须将电池从工具内取出。
14. 使用工具期间以及使用工具之后，电池组温度可能较高易引起灼伤或低温烫伤。处理高温电池组时请小心操作。
15. 在使用工具后请勿立即触碰工具的端子，否则可能引起灼伤。
16. 避免锯屑、灰尘或泥土卡入电池组的端子、孔口和凹槽内。否则可能导致工具或电池组性能下降或故障。
17. 除非工具支持在高压电源线路附近使用，否则请勿在高压电源线路附近使用电池组。否则可能导致工具或电池组故障或失常。

18. 确保电池远离儿童。
请保留此说明书。

小心： 请仅使用 **Makita (牧田)** 原装电池。使用非 **Makita (牧田)** 原装电池或经过改装的电池可能会导致电池爆炸，从而造成火灾、人身伤害或物品受损。同时也会导致牧田工具和充电器的牧田保修服务失效。

保持电池最大使用寿命的提示

1. 在电池组电量完全耗尽前及时充电。发现工具电量低时，请停止工具操作，并给电池组充电。
2. 请勿对已充满电的电池组重新充电。过度充电将缩短电池的使用寿命。
3. 请在 **10 °C - 40 °C (50 °F - 104 °F)** 的室温条件下给电池组充电。请在灼热的电池组冷却后再充电。
4. 不使用电池组时，请将其从工具或充电器上拆除。

5. 如果电池组长时间（超过六个月）未使用，请给其充电。

无线装置的重要安全注意事项

1. 切勿拆卸或改装此无线装置。
2. 请远离儿童存放无线装置。如果意外吞食，请立即就医。
3. 此无线装置仅用于 **Makita**（牧田）电动工具。
4. 请勿将此无线装置暴露在雨水或潮湿的环境中。
5. 请勿在温度超过 **50°C** 的环境下使用此无线装置。
6. 请勿在医疗器械（例如心脏起搏器）附近运行此无线装置。
7. 请勿在自动化设备附近运行此无线装置。否则，自动化设备可能会发生故障或出现错误。
8. 不要在高温场所或可能产生静电或电气噪音的场所操作无线装置。
9. 无线装置会产生对用户无害的电磁场（EMF）。
10. 此无线装置属于精密仪器。请小心，勿掉落或撞击此无线装置。
11. 避免徒手或用金属材料接触无线装置的端子。
12. 在产品中安装无线装置时，务必取下产品上的电池。
13. 请勿在那些可能会使灰尘和水进入插槽的地方打开插槽的封盖。插槽的插口务必保持干净整洁。
14. 务必沿正确的方向插入无线装置。
15. 请勿过度用力按压无线装置上的无线启动按钮，也不可使用边缘锋利的物体按压该按钮。
16. 运行此无线装置时务必关闭插槽的封盖。
17. 切勿在工具正在通电的情况下从插槽取下无线装置。否则可能会导致此无线装置发生故障。
18. 切勿揭下此无线装置上的贴纸。
19. 切勿在此无线装置上粘贴任何贴纸。
20. 切勿将此无线装置留在可能会产生静电或电气噪音的地方。
21. 切勿将此无线装置留在可能会产生高温的地方，例如阳光照射下的车内。
22. 切勿将此无线装置留在灰尘或粉尘较重的地方，或可能会产生腐蚀性气体的地方。

23. 温度的剧烈变化可能会使此无线装置产生凝露。露水未完全干燥前，请勿使用此无线装置。
24. 清洁此无线装置时，请使用柔软的干抹布轻轻擦拭。切勿使用汽油、稀释剂或导电脂等类似物品。
25. 存放此无线装置时，请将其放在随附的盒中或防静电的容器中。
26. 请勿将非 **Makita**（牧田）无线装置的任何其它设备插入工具的插槽中。
27. 如果插槽的封盖受损，请勿使用该工具。否则水、灰尘和泥土进入插槽可能会导致故障。
28. 如非必要，请勿拉动和/或扭动插槽的封盖。如果封盖从工具脱落，请将其还原。
29. 如果插槽的封盖丢失或受损，请更换。

请保留此说明书。

功能描述

⚠️ 小心： 调节或检查工具功能之前，请务必关闭工具的电源并取出电池组。

安装或拆卸电池组

⚠️ 小心： 安装或拆卸电池组之前，请务必关闭工具电源。

⚠️ 小心： 安装或拆卸电池组时请握紧工具和电池组。否则它们可能从您的手中滑落，导致工具和电池组受损，甚至造成人身伤害。

► **图片 1：** 1. 红色指示器 2. 按钮 3. 电池组

拆卸电池组时，按下电池组前侧的按钮，同时将电池组从工具中抽出。

安装电池组时，要将电池组上的舌簧与外罩上的凹槽对齐，然后推滑到位。将其完全插入到位，直到电池组被锁定并发出卡嗒声为止。如果插入后仍能看到按钮上侧的红色指示器，则说明电池组未完全锁紧。

⚠️ 小心： 务必完全装入电池组，直至看不见红色指示器为止。否则，它可能会从工具中意外脱落，从而造成自身或他人受伤。

⚠️ 小心： 请勿强行安装电池组。如果电池组难以插入，可能是插入方法不当。

显示电池的剩余电量

按电池组上的 **CHECK** (查看) 按钮可显示电池剩余电量。指示灯将亮起数秒。

► **图片 2: 1. 指示灯 2. CHECK(查看)按钮**

指示灯			剩余电量
■ 点亮	□ 熄灭	▨ 闪烁	
■ ■ ■ ■			75% 至 100%
■ ■ ■ □			50% 至 75%
■ ■ □ □			25% 至 50%
■ □ □ □			0% 至 25%
▨ □ □ □			给电池充电。
■ ■ □ □ ↑ ↓ □ □ ■ ■			电池可能出现故障。

注: 在不同的使用条件及环境温度下, 指示灯所示电量可能与实际情况略有不同。

注: 当电池保护系统启动时, 第一个(最左侧)指示灯将闪烁。

工具 / 电池保护系统

本工具配备有工具 / 电池保护系统。该系统可自动切断机电源以延长工具和电池寿命。作业时, 如果工具或电池处于以下情况, 工具将会自动停止运转。

过载保护

以导致异常高电流的方式操作工具或电池时, 工具会自动停止运转, 指示灯不闪烁。在这种情况下, 请关闭工具并停止导致工具过载的应用操作。然后开启工具重新启动。

过热保护

工具或电池过热时, 工具将自动停止运转且指示灯闪烁。在这种情况下, 请待工具和电池冷却后再开启工具。

过放电保护

电池电量不足时, 本工具自动停止运转。此时, 请取出工具中的电池并予以充电。

开关操作

警告: 在将电池组插入工具之前, 请务必检查开关扳机是否能扣动自如, 松开时能否退回至“OFF”(关闭)位置。

小心: 不再操作工具时, 从 **A** 侧按下扳机锁按钮, 将开关扳机锁定在关位置。

► **图片 3: 1. 开关扳机 2. 扳机锁按钮**

为避免使用者不小心扣动开关扳机, 本工具采用扳机锁按钮。要启动工具时, 从 **A** 侧按下扳机锁按钮, 然后扣动开关扳机即可。松开开关扳机工具即停止运转。使用之后, 从 **B** 侧按下扳机锁按钮。

变速

转动调节刻度盘即可调节每分钟空载速度和锤击数。刻度盘分为 1 (最低速) 至 5 (全速) 档。

► **图片 4: 1. 调节刻度盘**

有关调节刻度盘上的数值与每分钟空载速度和锤击数的关系, 请参见下表。

数值	每分钟空载速度	每分钟锤击数
5	500	2900
4	470	2700
3	380	2150
2	290	1650
1	250	1450

小心: 请勿在工具运转时旋转调节刻度盘。否则可能造成工具失控和人身伤害。

注意: 如果工具长时间以低速持续操作, 则电机可能会过载, 导致工具出现故障。

注意: 转速调节刻度盘只能在 1 和 5 之间调节。请勿用强力将其拨至超过 1 或 5 的位置, 否则调速功能可能会失灵。

注：软空载旋转功能

当转速调节刻度盘被调至“3”或更高刻度时，工具会自动降低空载速度以减少空载状态下的震动。

一旦将钻头抵住水泥开始操作，每分钟锤击数会升至表格中所示的对应数值。

当温度较低时，即使电机转动，工具也可能无法实现此功能。

点亮前灯

► 图片 5: 1. 照明灯

⚠️ 小心： 请勿直视灯光或光源。

扣动开关扳机点亮照明灯。在扣动开关扳机期间此灯保持常亮。松开开关扳机约 10 秒后，灯将熄灭。

注意： 如果灯在闪烁几秒后熄灭，则说明主动反馈感测技术失常。请联系当地的 Makita（牧田）维修服务中心进行修复。


注： 请使用干布擦拭灯头灰。注意不要刮花灯头，否则会降低亮度。

选择动作模式

注意： 不可在机器运转时旋转动作模式变换钮。否则会损坏工具。


注意： 为避免模式变换机制磨损过快，请确保动作模式变换钮始终处在三个动作模式位置上的一个。

旋转并冲击

对混凝土、石料等进行钻孔时，请将动作模式变换钮转至  符号。请使用硬质合金钻头。

► 图片 6: 1. 动作模式变换钮 2. 指针

仅冲击

进行凿 / 剥 / 拆的操作时，请将动作模式变换钮转至  符号。使用尖凿、冷凿、铲锈凿等。

► 图片 7: 1. 指针 2. 动作模式变换钮

扭矩限制器

注意： 扭矩限制器启动时，请立即关闭工具。这有助于防止工具过早磨损。

注意： 本工具不宜使用孔锯等容易卡入孔中的钻头。此类部件会导致扭矩限制器频繁动作。

达到一定扭矩水平扭矩限制器便会启动。机会会从输出轴脱离。这时钻头将会停止旋转。

电子功能

本工具配备了电子功能以提高操作便利性。

恒速控制

速度控制功能可保持转速恒定，而无论负载如何。

软启动

软启动功能可最小化启动时的震动，让机器平稳启动。

主动反馈感测技术

由于钻头锁定等原因导致工具主体突然以指定的加速度转动时，电机将被强制停止以减轻手腕负担。

注： 若加速度未达到指定值，则主动反馈感测技术功能不会启动。

注： 此外，如果当钻头以指定的加速度运行时出现摆动，主动反馈感测技术功能也会启动。

此时请松开开关扳机，然后再扣动开关扳机以重新启动工具。

电动制动器

本工具配备有电动制动器。如果在松开开关扳机后，工具始终无法立即停机，则须交由 Makita（牧田）维修中心维修。

装配

⚠️ 小心： 对工具进行任何装配操作前，请务必关闭工具电源，并取出电池组。

侧手柄

► 图片 8

⚠️小心： 仅可在凿 / 剥 / 拆的操作时使用侧手柄。请勿在混凝土、石材等表面钻孔时使用侧手柄。使用侧手柄钻孔时无法正确握持工具。

► **图片 9：** 1. 侧手柄 2. 夹紧螺母

侧手柄可在垂直方向上摆动并固定在任意位置。也可以在水平方向上前后调整八个档位。松开夹紧螺母以旋转侧手柄至所需位置，然后旋紧夹紧螺母。

侧把手（辅助手柄）

⚠️小心： 请务必使用侧把手以保证安全操作。

⚠️小心： 安装或调节好侧把手后，务必确保侧把手已牢固安装。

侧把手可以摆动，方便用户在任意位置操作工具。逆时针旋转侧把手可使其松开，再将其转至所需位置，然后顺时针旋转以拧紧侧把手。

► **图片 10：** 1. 侧把手

安装或拆卸钻头

润滑脂

清洁钻头柄端并在安装钻头前涂抹润滑脂。事先将少量的润滑脂（约 0.5 - 1 g）涂抹在钻头柄端。卡盘润滑确保了顺利操作和更长的使用寿命。

► **图片 11：** 1. 柄端 2. 润滑脂


将钻头插入工具中。将钻头旋转推入直到完全啮合。安装钻头后，请尝试将其拔出以检查确保钻头牢固。

► **图片 12：** 1. 钻头

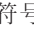
若要拆卸钻头，请下拉卡盘盖不放手后将钻头拔出。

► **图片 13：** 1. 钻头 2. 卡盘盖

凿角（切削、刮或拆除时）

凿可固定在需要的角度。要改变凿角时，请将动作模式变换钮旋转至  符号位置。旋转凿至所需角度。

► **图片 14：** 1. 动作模式变换钮 2. 指针

将动作模式变换钮转至  符号。轻轻旋转凿以确保凿牢固在位置上。

深度规

深度规是一种使用方便，可确保钻孔深度统一的工具。

按住锁定按钮，然后将深度规插入至六角形孔中。

► **图片 15：** 1. 深度规 2. 锁定按钮

确保深度规的齿状侧朝向标记。

► **图片 16：** 1. 标记 2. 齿状侧

在按住锁定按钮的同时，通过前后移动来调整深度规。调整完毕后，松开锁定按钮以锁定深度规。

注： 安装时确保深度规不要接触到工具的机身。

集尘抽出装置

选购附件

安装集尘抽出装置

1. 松开工具上的侧把手。

2. 安装集尘抽出装置，使防尘罩的卡爪嵌入工具和侧把手之间的凹槽。

► **图片 17：** 1. 防尘罩 2. 卡爪 3. 凹槽

3. 请务必紧固侧把手。

4. 将适合作业的风箱和防尘罩延长部分摆放好。使用风箱时，将接头安装至其顶部。堆叠两个风箱时，请用接头连接。

► **图片 18：** 1. 防尘罩延长部分 2. 防尘罩 3. 接头 4. 风箱

将本工具连接至集尘器

1. 将托架接头安装于工具上，然后将软管托架安装于托架接头上。

► **图片 19：** 1. 托架接头 2. 软管托架

注： 软管接头可固定在工具的任意一侧。

⚠️警告： 工具的安装部件仅可用于固定托架接头。

将安装部件用于其他目的可能会导致意外事故的发生。

2. 将软管固定在软管托架上。

► **图片 20：** 1. 软管托架

注： 必要时使用 25 号接头连接软管和防尘罩。

将深度规用于钻孔操作

堆叠两个风箱时，请将深度规延长部分安装于深度规上。

► **图片 21:** 1. 深度规延长部分

集尘抽出装置（仅适用于冲击）

选购附件

1. 安装软管托架 (A/B)。

如果侧手柄已安装于工具上，请松开夹紧螺母，然后拆下六角螺栓。通过旋紧夹紧螺母，将软管托架 (A) 安装在六角螺栓和夹紧螺母之间。

► **图片 22:** 1. 六角螺栓 2. 软管托架 (A) 3. 夹紧螺母

如果侧把手已安装于工具上，请拧松侧把手，将软管托架 (B) 安装到轴上，然后牢固拧紧侧把手。

► **图片 23:** 1. 软管托架 (B) 2. 轴 3. 侧把手

2. 将托架接头安装到工具上，然后将软管托架 (C) 安装到托架接头上。

► **图片 24:** 1. 托架接头 2. 软管托架 (C)

注： 软管接头可固定在工具的任意一侧。

警告： 工具的安装部件仅可用于固定托架接头。

将安装部件用于其他目的可能会导致意外事故的发生。

3. 将防尘罩和软管安装到工具上，然后将软管固定到软管托架上。

► **图片 25:** 1. 防尘罩 2. 软管 3. 软管托架 (A/B) 4. 软管托架 (C)

4. 用软管接头将软管连接至集尘器的软管。

注： 如果未附送软管，请将防尘罩安装至集尘器的软管上或 Makita（牧田）软管 $\varnothing 28$ 上。

5. 调节防尘罩和凿子尖端或尖钻头之间的距离。建议的距离为 30 mm 至 100 mm。

► **图片 26:** (1) 30 mm 至 100 mm

操作

小心： 操作期间，请始终使用侧手柄 / 侧把手（辅助手柄）并抓牢侧手柄 / 侧把手和开关手柄以紧紧握住工具。

小心： 在操作之前，确保工件已牢固固定。未能正确固定工件可能会导致工件移动，从而造成人员伤害。

小心： 即便在钻头被卡时，也请勿强力拉出工具。工具失控可能会造成人身伤害。

小心： 请勿使工具处于刺入工件的状态。否则，工具可能会意外启动并造成人员伤害。

注： 如果电池组处于低温环境下，则工具的性能可能无法完全发挥。此时，请在工具无负载情况下运行工具预热一会电池组以完全发挥工具的性能。

► **图片 27**

冲击钻孔操作

小心： 钻穿时若钻孔被碎片或粉屑堵塞或冲击到混凝土中的钢筋，工具 / 钻头会受到极大的突然扭力。操作期间，请务必同时抓牢侧把手（辅助手柄）和开关手柄，紧紧握住工具。否则可能造成工具失控和严重伤害。

将动作模式变换按钮设置在符号  一侧。

将钻头对准孔的适当位置，然后扣动开关扳机。不要强力按压工具。最好轻轻按压。保持工具定位正确，防止工具偏离孔位。

当钻孔被碎屑或碎片堵塞时切勿过度用力。相反，请怠速旋转工具，然后逐渐从孔中取出钻头。重复此操作数次之后，钻孔将被清理干净，可重新开始钻孔。

注： 工具在无负载下操作时，钻头旋转可能会偏离中心。操作期间该工具会自动对准中心。这不影响钻孔的精确度。

切削、刮或拆除

将动作模式变换按钮设置在符号  一侧。

需用双手握紧工具。打开工具，轻轻施加压力，这样该工具就不会不受控制地弹跳。使劲按压工具不会增加效果。

► **图片 28**

吹气球

选购附件

钻孔后用吹气球清除孔眼中的尘土。

► 图片 29

无线启动功能

选购附件

无线启动功能的作用

无线启动功能让操作更加干净舒适。将受支持的集尘器连接至工具，集尘器可随工具的开关操作自动运行。

► 图片 30

要使用无线启动功能，请准备以下项目：

- 无线装置（选购附件）
- 支持无线启动功能的集尘器

无线启动功能设置的概况如下。详细步骤请参考各章节。

1. 安装无线装置
2. 集尘器的工具注册
3. 启动无线启动功能

安装无线装置

选购附件

⚠小心：安装无线装置时，请将工具放置在平坦且稳固的表面上。

注意：安装无线装置前，请先清洁工具上的灰尘和泥土。如果灰尘和泥土进入无线装置的插槽，则可能会导致其发生故障。

注意：为避免静电导致故障发生，拿起无线装置前，请先触摸静电释放材料，例如工具的金属部分。

注意：安装无线装置时，务必确保沿正确方向插入无线装置，且将封盖完全关闭。

1. 如图所示打开工具的封盖。

► 图片 31: 1. 封盖

2. 将无线装置插入插槽，然后关闭封盖。

插入无线装置时，请将凸起部分对齐插槽上的凹陷部分。

► 图片 32: 1. 无线装置 2. 突起部分 3. 封盖 4. 凹陷部分

拆下无线装置时，请缓慢打开封盖。封盖后面的挂钩在拉起封盖时会钩住无线装置。

► 图片 33: 1. 无线装置 2. 挂钩 3. 封盖

取下无线装置后，请将其放在随附的盒中或防静电的容器中。

注意：取下无线装置时，务必使用封盖后面的挂钩。如果挂钩未钩住无线装置，请完全关闭封盖，然后再缓慢打开。

集尘器的工具注册

注：进行工具注册需要支持无线启动功能的 Makita（牧田）集尘器。

注：开始工具注册前，请先将无线装置安装至工具。

注：工具注册期间，请勿扣动开关扳机，或打开集尘器上的电源开关。

注：请参阅集尘器的使用说明书。

如果您希望集尘器可随工具的开关操作而启动，请预先完成工具注册。

1. 安装集尘器和工具的电池。
2. 将集尘器上的待机开关拧至“**AUTO**”（自动）位置。

► 图片 34: 1. 待机开关

3. 按住集尘器上的无线启动按钮 3 秒，直至无线启动指示灯呈绿色闪烁。然后以相同的方式按工具上的无线启动按钮。

► 图片 35: 1. 无线启动按钮 2. 无线启动指示灯

如果集尘器和工具成功闪烁，无线启动指示灯将呈绿色亮起 2 秒，然后开始呈蓝色闪烁。

注：无线启动指示灯在 20 秒后结束绿色闪烁。当集尘器上的无线启动指示灯闪烁时，按下工具上的无线启动按钮。如果无线启动指示灯未呈绿色闪烁，短按一下无线启动按钮，然后再次按住该按钮。

注：对一个集尘器执行两个或以上工具注册时，请逐个完成工具注册。

启动无线启动功能

注：请在无线启动前完成集尘器的工具注册。

注：请参阅集尘器的使用说明书。

将工具注册至集尘器后，集尘器会随着工具的开关操作自动运行。

1. 将无线装置安装至工具。
2. 将集尘器的软管连接至工具。
- ▶ **图片 36**
3. 将集尘器上的待机开关拧至“**AUTO**”（自动）位置。
- ▶ **图片 37：1.** 待机开关
4. 短按一下工具上的无线启动按钮。无线启动指示灯将呈蓝色闪烁。
- ▶ **图片 38：1.** 无线启动按钮 **2.** 无线启动指示灯

5. 扣动工具的开关扳机。检查扣动开关扳机时集尘器是否运行。

要停用集尘器的无线启动功能，请按下工具上的无线启动按钮。

注：闲置 2 小时无操作后，工具上的无线启动指示灯会停止蓝色闪烁。此时，请将集尘器上的待机开关拧至“**AUTO**”（自动）位置，并再次按下工具上的无线启动按钮。

注：集尘器会延迟启动 / 停止。集尘器检测工具的开关操作会存在时滞。

注：无线装置的传送距离视位置和周边环境不同而异。

注：当一个集尘器被注册了两个或多个工具时，则即使您未扣动开关扳机，该集尘器也可能因为其他用户正在使用无线启动功能而开始运行。

无线启动指示灯状态的说明

- ▶ **图片 39：1.** 无线启动指示灯

无线启动指示灯显示无线启动功能的状态。关于指示灯状态的意义请参阅下表。

状态	无线启动指示灯			持续时间	说明
	颜色	 亮起	 闪烁		
待机	蓝色			2 小时	集尘器的无线启动可用。2 小时无操作后指示灯会自动熄灭。
				工具正在运行时。	集尘器的无线启动可用且工具正在运行。
工具注册	绿色			20 秒	准备好进行工具注册。等待集尘器的注册。
				2 秒	完成工具注册。无线启动指示灯将开始呈蓝色闪烁。
取消工具注册	红色			20 秒	准备好取消工具注册。等待集尘器取消工具注册。
				2 秒	完成取消工具注册。无线启动指示灯将开始呈蓝色闪烁。
其它	红色			3 秒	向无线装置供电，且无线启动功能启动。
	熄灭	-		-	集尘器的无线启动不可用。

取消集尘器的工具注册

取消集尘器的工具注册时，请执行以下步骤。

1. 安装集尘器和工具的电池。
2. 将集尘器上的待机开关拧至“**AUTO**”（自动）位置。

► **图片 40:** 1. 待机开关

3. 按住集尘器上的无线启动按钮**6**秒。无线启动指示灯呈绿色闪烁，然后转为红色。然后以相同的方式按工具上的无线启动按钮。

► **图片 41:** 1. 无线启动按钮 2. 无线启动指示灯

如果成功执行取消工具注册，无线启动指示灯将呈红色亮起**2**秒，然后开始呈蓝色闪烁。

注: 无线启动指示灯在**20**秒后结束红色闪烁。当集尘器上的无线启动指示灯闪烁时，按下工具上的无线启动按钮。如果无线启动指示灯未呈红色闪烁，短按一下无线启动按钮，然后再次按住该按钮。

无线启动功能的故障排除

请求维修前，请首先自行检查。如果您发现本手册中未作说明的问题，请勿拆解工具。而请联系 Makita（牧田）授权维修服务中心，务必使用 Makita（牧田）的替换部件进行修复。

异常状态	可能原因（故障）	纠正措施
无线启动指示灯未亮起 / 闪烁。	无线装置未安装至工具。 无线装置未正确安装至工具。	正确安装无线装置。
	无线装置的端子和 / 或插槽脏污。	轻轻擦掉无线装置上的灰尘并清洁插槽。
	未按工具上的无线启动按钮。	短按一下工具上的无线启动按钮。
	集尘器上的待机开关未拧至“ AUTO ”（自动）位置。	将集尘器上的待机开关拧至“ AUTO ”（自动）位置。
	未通电	接通工具和集尘器电源。
未成功完成工具注册 / 取消工具注册操作。	无线装置未安装至工具。 无线装置未正确安装至工具。	正确安装无线装置。
	无线装置的端子和 / 或插槽脏污。	轻轻擦掉无线装置上的灰尘并清洁插槽。
	集尘器上的待机开关未拧至“ AUTO ”（自动）位置。	将集尘器上的待机开关拧至“ AUTO ”（自动）位置。
	未通电	接通工具和集尘器电源。
	错误操作	短按一下无线启动按钮，并再次执行工具注册 / 取消工具注册操作步骤。
	工具和集尘器相隔较远（超出传送范围）。	缩短工具和集尘器之间的距离。它们之间的最大距离为约 10 m，该距离视实际环境不同而异。
	完成工具注册 / 取消工具注册之前： - 扣动了工具上的开关扳机； - 打开了集尘器上的按钮。	短按一下无线启动按钮，并再次执行工具注册 / 取消工具注册操作步骤。
	工具或集尘器的工具注册步骤未完成。	同时对工具和集尘器执行工具注册步骤。
	其它设备的无线电干扰会产生高强度的无线电波。	使工具和集尘器远离 Wi-Fi 设备和微波炉等电器。

异常状态	可能原因 (故障)	纠正措施
集尘器未随着工具的开关操作而运行。	无线装置未安装至工具。 无线装置未正确安装至工具。	正确安装无线装置。
	无线装置的端子和 / 或插槽脏污。	轻轻擦掉无线装置上的灰尘并清洁插槽。
	未按工具上的无线启动按钮。	短按一下无线启动按钮，确保无线启动指示灯呈蓝色闪烁。
	集尘器上的待机开关未拧至“ AUTO ”（自动）位置。	将集尘器上的待机开关拧至“ AUTO ”（自动）位置。
	集尘器可注册超过 10 个工具。	请再次执行工具注册。 如果集尘器注册的工具超过 10 个，则最先注册的工具会被自动删除。
	集尘器删除了所有工具注册。	再次执行工具注册。
	未通电	接通工具和集尘器电源。
	工具和集尘器相隔较远(超出传送范围)。	缩短工具和集尘器之间的距离。它们之间的最大距离为约 10 m，该距离视实际环境不同而异。
	其它设备的无线电干扰会产生高强度的无线电波。	使工具和集尘器远离 Wi-Fi 设备和微波炉等电器。
未扣动开关扳机但集尘器运行。	其他用户正在他们的工具上使用该集尘器的无线启动功能。 关闭其它工具的无线启动功能或取消其它工具的工具注册。	

保养

⚠️ 小心： 检查或保养工具之前，请务必关闭工具电源并取出电池组。

注意： 切勿使用汽油、苯、稀释剂、酒精或类似物品清洁工具。否则可能会导致工具变色、变形或出现裂缝。

为了保证产品的安全与可靠性，维修、任何其他维修保养或调节需由 Makita（牧田）授权的或工厂维修服务中心完成。务必使用 Makita（牧田）的替换部件。

选购附件

⚠️ 小心： 这些附件或装置专用于本说明书所列的 Makita（牧田）工具。如使用其他厂牌附件或装置，可能导致人身伤害。仅可将附件或装置用于规定目的。

如您需要了解更多关于这些选购附件的信息，请咨询当地的 Makita（牧田）维修服务中心。

- SDS-MAX 硬质合金钻头
- SDS-MAX 尖钻头
- SDS-MAX 冷凿
- SDS-MAX 铲锈凿
- SDS-MAX 泥铲
- 钻头润滑脂
- 侧手柄
- 侧把手
- 深度规
- 吹气球
- 集尘抽出装置
- 安全护目镜
- 无线装置
- Makita（牧田）原装电池和充电器
- 塑料携带箱

注： 本列表表中的一些部件可能作为标准配件包含于工具包装内。它们可能因销往国家之不同而异。

SPEKIFIKASI

Model:		HR005G
Kapasitas	Mata berujung carbide	40 mm
	Mata bor berteras	105 mm
Kecepatan tanpa beban (RPM)		250 - 500 min ⁻¹
Hantaman per menit		1.450 - 2.900 min ⁻¹
Panjang keseluruhan	dengan BL4025	484 mm
	dengan BL4040	500 mm
Tegangan terukur		D.C. 36 V - 40 V maks
Berat bersih		7,4 - 8,2 kg

- Karena kesinambungan program penelitian dan pengembangan kami, spesifikasi yang disebutkan di sini dapat berubah tanpa pemberitahuan.
- Spesifikasi dan kartrid baterai dapat berbeda dari satu negara ke negara lainnya.
- Berat alat mungkin berbeda tergantung perangkat tambahan yang dipasang, termasuk kartrid baterai. Kombinasi alat terberat dan teringan, sesuai Prosedur EPTA 01/2014, ditunjukkan pada tabel.

Kartrid dan pengisi daya baterai yang dapat digunakan

Kartrid baterai	BL4020 / BL4025 / BL4040* / BL4050F* * : Baterai yang direkomendasikan
Pengisi daya	DC40RA / DC40RB / DC40RC

- Beberapa kartrid baterai dan pengisi daya yang tercantum di atas mungkin tidak tersedia, tergantung wilayah tempat tinggal Anda.

⚠️ PERINGATAN: Hanya gunakan kartrid dan pengisi daya baterai yang tercantum di atas. Penggunaan kartrid dan pengisi daya baterai lain dapat menimbulkan risiko cedera dan/atau kebakaran.

Simbol

Berikut ini adalah simbol-simbol yang dapat digunakan pada peralatan ini. Pastikan Anda memahami arti masing-masing simbol sebelum menggunakan peralatan.



Baca petunjuk penggunaan.



Ni-MH
Li-ion

Hanya untuk negara-negara UE
Jangan membuang peralatan listrik atau paket baterai bersama-sama dengan bahan limbah rumah tangga!
Dengan memerhatikan Petunjuk Eropa, tentang Limbah Peralatan Listrik dan Elektronik serta Baterai dan Akumulator serta Limbah Baterai dan Akumulator dan pelaksanaannya sesuai dengan ketentuan hukum nasional, peralatan listrik dan baterai dan paket baterai yang telah habis umur pakainya harus dikumpulkan secara terpisah dan dikembalikan ke fasilitas daur ulang yang kompatibel secara lingkungan.

Penggunaan

Mesin ini digunakan untuk pengeboran dengan getar dan mengebor batu bata, beton dan batu serta pekerjaan pemahatan.

PERINGATAN KESELAMATAN

Peringatan keselamatan umum mesin listrik

⚠️ PERINGATAN: Bacalah semua peringatan keselamatan, petunjuk, ilustrasi dan spesifikasi yang disertakan bersama mesin listrik ini. Kelalaian untuk mematuhi semua petunjuk yang tercantum di bawah ini dapat menyebabkan sengatan listrik, kebakaran dan/atau cedera serius.

Simpanlah semua peringatan dan petunjuk untuk acuan di masa depan.

Istilah "mesin listrik" dalam semua peringatan mengacu pada mesin listrik yang dijalankan dengan sumber listrik jala-jala (berkabel) atau baterai (tanpa kabel).

Keselamatan tempat kerja

1. **Jaga tempat kerja selalu bersih dan berpenerangan cukup.** Tempat kerja yang berantakan dan gelap mengundang kecelakaan.

2. **Jangan gunakan mesin listrik dalam lingkungan yang mudah meledak, misalnya jika ada cairan, gas, atau debu yang mudah menyala.** Mesin listrik menimbulkan bunga api yang dapat menyalakan debu atau uap tersebut.
3. **Jauhkan anak-anak dan orang lain saat menggunakan mesin listrik.** Bila perhatian terpecah, anda dapat kehilangan kendali.

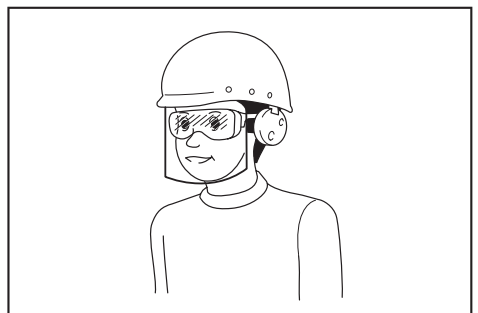
Keamanan Kelistrikan

1. **Steker mesin listrik harus cocok dengan stopkontak. Jangan sekali-kali mengubah steker dengan cara apa pun. Jangan menggunakan steker adaptor dengan mesin listrik terbumi (dibumikan).** Steker yang tidak diubah dan stopkontak yang cocok akan mengurangi risiko sengatan listrik.
2. **Hindari sentuhan tubuh dengan permukaan terbumi atau yang dibumikan seperti pipa, radiator, kompor, dan kulkas.** Risiko sengatan listrik bertambah jika tubuh Anda terbumikan atau dibumikan.
3. **Jangan membiarkan mesin listrik kehujanan atau kebasahan.** Air yang masuk ke dalam mesin listrik akan meningkatkan risiko sengatan listrik.
4. **Jangan menyalahgunakan kabel. Jangan sekali-kali menggunakan kabel untuk membawa, menarik, atau mencabut mesin listrik dari stopkontak. Jauhkan kabel dari panas, minyak, tepian tajam, atau bagian yang bergerak.** Kabel yang rusak atau kusut memperbesar risiko sengatan listrik.
5. **Bila menggunakan mesin listrik di luar ruangan, gunakan kabel ekstensi yang sesuai untuk penggunaan di luar ruangan.** Penggunaan kabel yang sesuai untuk penggunaan luar ruangan mengurangi risiko sengatan listrik.
6. **Jika mengoperasikan mesin listrik di lokasi lembap tidak terhindarkan, gunakan pasokan daya yang dilindungi peranti imbasan arus (residual current device - RCD).** Penggunaan RCD mengurangi risiko sengatan listrik.
7. **Mesin listrik dapat menghasilkan medan magnet (EMF) yang tidak berbahaya bagi pengguna.** Namun, pengguna alat pacu jantung atau peralatan medis sejenisnya harus berkonsultasi dengan produsen peralatan tersebut dan/atau dokter mereka sebelum mengoperasikan mesin listrik ini.

Keselamatan Diri

1. **Jaga kewaspadaan, perhatikan pekerjaan Anda dan gunakan akal sehat bila menggunakan mesin listrik. Jangan menggunakan mesin listrik saat Anda lelah atau di bawah pengaruh obat bius, alkohol, atau obat.** Sekejap saja lalai saat menggunakan mesin listrik dapat menyebabkan cedera badan serius.
2. **Gunakan alat pelindung diri. Selalu gunakan pelindung mata.** Peralatan pelindung seperti masker debu, sepatu pengaman anti-selip, helm pengaman, atau pelindung telinga yang digunakan untuk kondisi yang sesuai akan mengurangi risiko cedera badan.

3. **Cegah penyalaan yang tidak disengaja. Pastikan bahwa sakelar berada dalam posisi mati (off) sebelum menghubungkan mesin ke sumber daya dan/atau paket baterai, atau mengangkat atau membawanya.** Membawa mesin listrik dengan jari Anda pada sakelarnya atau mengalirkan listrik pada mesin listrik yang sakelarnya hidup (on) akan mengundang kecelakaan.
4. **Lepaskan kunci-kunci penyetel sebelum menghidupkan mesin listrik.** Kunci-kunci yang masih terpasang pada bagian mesin listrik yang berputar dapat menyebabkan cedera.
5. **Jangan meraih terlalu jauh. Jagalah pijakan dan keseimbangan sepanjang waktu.** Hal ini memungkinkan kendali yang lebih baik atas mesin listrik dalam situasi yang tidak diharapkan.
6. **Kenakan pakaian yang memadai. Jangan memakai pakaian yang longgar atau perhiasan. Jaga jarak antara rambut dan pakaian Anda dengan komponen mesin yang bergerak.** Pakaian yang longgar, perhiasan, atau rambut yang panjang dapat tersangkut pada komponen yang bergerak.
7. **Jika tersedia fasilitas untuk menghisap dan mengumpulkan debu, pastikan fasilitas tersebut terhubung listrik dan digunakan dengan baik.** Penggunaan pembersih debu dapat mengurangi bahaya yang terkait dengan debu.
8. **Jangan sampai Anda lengah dan mengabaikan prinsip keselamatan mesin ini hanya karena sudah sering mengoperasikannya dan sudah merasa terbiasa.** Tindakan yang lalai dapat menyebabkan cedera berat dalam sepersekian detik saja.
9. **Selalu kenakan kacamata pelindung untuk melindungi mata dari cedera saat menggunakan mesin listrik. Kacamata harus sesuai dengan ANSI Z87.1 di Amerika Serikat, EN 166 di Eropa, atau AS/NZS 1336 di Australia/Selandia Baru. Di Australia/Selandia Baru, secara hukum Anda juga diwajibkan mengenakan pelindung wajah untuk melindungi wajah Anda.**



Menjadi tanggung jawab atasan untuk menerapkan penggunaan alat pelindung keselamatan yang tepat bagi operator mesin dan orang lain yang berada di area kerja saat itu.

Penggunaan dan pemeliharaan mesin listrik

1. **Jangan memaksa mesin listrik. Gunakan mesin listrik yang tepat untuk keperluan Anda.** Mesin listrik yang tepat akan menuntaskan pekerjaan dengan lebih baik dan aman pada kecepatan sesuai rancangannya.
2. **Jangan gunakan mesin listrik jika sakelar tidak dapat menyala dan memikatannya.** Mesin listrik yang tidak dapat dikendalikan dengan sakelarnya adalah berbahaya dan harus diperbaiki.
3. **Cabut steker dari sumber listrik dan/atau lepas paket baterai, jika dapat dilepas, dari mesin listrik sebelum melakukan penyetelan apa pun, mengganti aksesoris, atau menyimpan mesin listrik.** Langkah keselamatan preventif tersebut mengurangi risiko hidupnya mesin secara tak sengaja.
4. **Simpan mesin listrik jauh dari jangkauan anak-anak dan jangan biarkan orang yang tidak paham mengenai mesin listrik tersebut atau petunjuk ini menggunakan mesin listrik.** Mesin listrik sangat berbahaya di tangan pengguna yang tak terlatih.
5. **Rawatlah mesin listrik dan aksesoris. Periksa apakah ada komponen bergerak yang tidak lurus atau macet, komponen yang pecah, dan kondisi-kondisi lain yang dapat memengaruhi pengoperasian mesin listrik. Jika rusak, perbaiki mesin listrik terlebih dahulu sebelum digunakan.** Banyak kecelakaan disebabkan oleh kurangnya pemeliharaan mesin listrik.
6. **Jaga agar mesin pemotong tetap tajam dan bersih.** Mesin pemotong yang terawat baik dengan mata pemotong yang tajam tidak mudah macet dan lebih mudah dikendalikan.
7. **Gunakan mesin listrik, aksesoris, dan mata mesin, dll. sesuai dengan petunjuk ini, dengan memperhitungkan kondisi kerja dan jenis pekerjaan yang dilakukan.** Penggunaan mesin listrik untuk penggunaan yang lain dari peruntukan dapat menimbulkan situasi berbahaya.
8. **Jagalalah agar gagang dan permukaan pegangan tetap kering, bersih, dan bebas dari minyak dan pelumas.** Gagang dan permukaan pegangan yang licin tidak mendukung keamanan penanganan dan pengendalian mesin dalam situasi-situasi tak terduga.
9. **Ketika menggunakan mesin, jangan menggunakan sarung tangan kain yang dapat tersangkut.** Sarung tangan kain yang tersangkut pada komponen bergerak dapat mengakibatkan cedera pada pengguna.

Penggunaan dan pemeliharaan mesin bertenaga baterai

1. **Isi ulang baterai hanya dengan pengisi daya yang ditentukan oleh pabrikan.** Pengisi daya yang cocok untuk satu jenis paket baterai dapat menimbulkan risiko kebakaran ketika digunakan untuk paket baterai yang lain.
2. **Gunakan mesin listrik hanya dengan paket baterai yang telah ditentukan secara khusus.** Penggunaan paket baterai lain dapat menimbulkan risiko cedera dan kebakaran.

3. **Ketika paket baterai tidak digunakan, jauhkan dari benda logam lain, seperti penjepit kertas, uang logam, kunci, paku, sekrup atau benda logam kecil lainnya, yang dapat menghubungkan satu terminal ke terminal lain.** Hubungan singkat terminal baterai dapat menyebabkan luka bakar atau kebakaran.
4. **Pemakaian yang salah, dapat menyebabkan keluarnya cairan dari baterai; hindari kontak. Jika terjadi kontak secara tidak sengaja, bilas dengan air. Jika cairan mengenai mata, cari bantuan medis.** Cairan yang keluar dari baterai bisa menyebabkan iritasi atau luka bakar.
5. **Jangan menggunakan paket baterai atau mesin yang sudah rusak atau telah diubah.** Baterai yang rusak atau telah diubah dapat menyebabkan hal-hal yang tidak dapat diprediksi yang dapat menyebabkan kebakaran, ledakan atau risiko cedera.
6. **Jangan membiarkan paket baterai atau mesin dekat dengan api atau suhu yang berlebihan.** Paparan api atau suhu di atas 130 °C dapat menyebabkan ledakan.
7. **Ikuti semua petunjuk pengisian daya dan jangan mengisi daya paket baterai atau mesin di luar rentang suhu yang ditentukan di panduan.** Mengisi daya secara tidak tepat atau pada suhu di luar rentang yang ditentukan dapat merusak baterai dan meningkatkan risiko kebakaran.

Servis

1. **Berikan mesin listrik untuk diperbaiki hanya kepada oleh teknisi yang berkualifikasi dengan menggunakan hanya suku cadang pengganti yang serupa.** Hal ini akan menjamin terjaganya keamanan mesin listrik.
2. **Jangan pernah memperbaiki paket baterai yang sudah rusak.** Perbaikan paket baterai harus dilakukan hanya oleh produsen atau penyedia servis resmi.
3. **Patuhi petunjuk pelumasan dan penggantian aksesoris.**

PERINGATAN KESELAMATAN MESIN BOR GETAR ROTARI TANPA KABEL

1. **Kenakan pelindung telinga.** Terpaan kebisingan dapat menyebabkan hilangnya pendengaran.
2. **Gunakan gagang tambahan, jika disertakan bersama mesin ini.** Kehilangan kendali dapat menyebabkan cedera.
3. **Pegang mesin listrik pada permukaan genggam yang terisolasi saat melakukan pekerjaan bila aksesoris pemotong mungkin bersentuhan dengan kawat tersembunyi.** Aksesoris pemotong yang menyentuh kawat "hidup" dapat menyebabkan bagian logam pada mesin teraliri arus listrik dan menyengat pengguna.

4. Kenakan helm pengaman, kaca mata pengaman dan/atau pelindung muka. Kaca mata biasa atau kaca mata hitam **BUKANLAH** kaca mata pengaman. Anda sangat dianjurkan untuk mengenakan masker debu dan sarung tangan tebal.
5. Pastikan mata mesin terpasang pada tempatnya sebelum penggunaan.
6. Pada penggunaan normal, mesin dirancang untuk menghasilkan getaran. Sekrup bisa menjadi longgar dengan mudah, menyebabkan kerusakan atau kecelakaan. Periksa kekencangan sekrup sebelum penggunaan.
7. Pada cuaca dingin atau ketika mesin telah lama tidak digunakan, lakukan pemanasan pada mesin beberapa saat dengan mengoperasikannya tanpa beban. Hal ini akan memperlancar pelumasan. Tanpa pemanasan yang tepat, pengerjaan pembobokan menjadi sulit.
8. Selalu pastikan Anda memiliki pijakan kuat. Pastikan tidak ada orang di bawah Anda ketika menggunakan mesin di lokasi tinggi.
9. Pegang mesin kuat-kuat dengan kedua tangan.
10. Jauhkan tangan dari bagian yang berputar.
11. Jangan tinggalkan mesin dalam keadaan hidup. Jalankan mesin hanya ketika digenggam tangan.
12. Jangan mengarahkan mesin pada siapa pun di tempat kerja ketika mengoperasikan. Mata mesin bisa terlempar dan melukai orang dengan serius.
13. Jangan menyentuh mata mesin, bagian yang berdekatan dengan mata mesin, atau benda kerja segera setelah pengoperasian; suhunya mungkin masih sangat panas dan dapat membakar kulit Anda.
14. Bahan tertentu mengandung zat kimia yang mungkin beracun. Hindari menghirup debu dan persentuhan dengan kulit. Ikuti data keselamatan bahan dari pemasok.
15. Selalu pastikan bahwa mesin dimatikan dan kartrid baterai dilepas serta mata dilepas sebelum memberikan mesin kepada orang lain.
16. Sebelum mengoperasikan, pastikan tidak ada benda yang terkubur seperti pipa listrik, pipa air atau pipa gas di area kerja. Jika tidak, mata bor/pemahat dapat menyentuhnya, dan menimbulkan sengatan listrik, kebocoran listrik, atau kebocoran gas.
17. Jangan mengoperasikan mesin tanpa beban dengan tanpa keperluan.

SIMPAN PETUNJUK INI.

⚠️ PERINGATAN: JANGAN biarkan kenyamanan atau terbiasanya Anda dengan produk (karena penggunaan berulang) mengurangi kepatuhan yang ketat terhadap aturan keselamatan untuk produk yang terkait. **PENYALAHGUNAAAN** atau kelalaian mematuhi kaidah keselamatan yang tertera dalam petunjuk ini dapat menyebabkan cedera badan serius.

Petunjuk keselamatan penting untuk kartrid baterai

1. Sebelum menggunakan kartrid baterai, bacalah semua petunjuk dan penandaan pada (1) pengisi daya baterai, (2) baterai, dan (3) produk yang menggunakan baterai.
2. Jangan membongkar atau memodifikasi kartrid baterai. Tindakan tersebut dapat menimbulkan api, panas berlebih, atau ledakan.
3. Jika waktu beroperasinya menjadi sangat singkat, segera hentikan penggunaan. Hal tersebut dapat menimbulkan risiko panas berlebih, kemungkinan mengalami luka bakar atau bahkan terjadi ledakan.
4. Jika elektrolit mengenai mata Anda, basuh dengan air bersih dan segera cari pertolongan medis. Hal tersebut dapat mengakibatkan hilangnya kemampuan penglihatan Anda.
5. Jangan menghubungkan terminal kartrid baterai:
 - (1) Jangan menyentuh terminal dengan bahan penghantar listrik apa pun.
 - (2) Hindari menyimpan kartrid baterai pada wadah yang berisi benda logam lain seperti paku, uang logam, dsb.
 - (3) Jangan membiarkan baterai terkena air atau kehujanan.
6. Hubungan singkat baterai dapat menyebabkan aliran arus listrik yang besar, panas berlebih, kemungkinan mengalami luka bakar dan bahkan kerusakan pada baterai.
6. Jangan menyimpan dan menggunakan mesin dan kartrid baterai pada lokasi dengan suhu yang bisa mencapai atau melebihi 50 °C (122 °F).
7. Jangan membuang kartrid baterai di tempat pembakaran sampah walaupun benar-benar rusak atau tidak bisa digunakan sama sekali. Kartrid baterai bisa meledak jika terbakar.
8. Jangan memaku, memotong, menghancurkan, melempar, menjatuhkan kartrid baterai, atau memukulkan benda keras ke kartrid baterai. Tindakan tersebut dapat menimbulkan api, panas berlebih, atau ledakan.
9. Jangan menggunakan baterai yang rusak.
10. **Baterai litium-ion yang disertakan sesuai dengan persyaratan Perundangan Makanan Berbahaya.**

Harus ada pengawasan untuk pengangkutan komersial misalnya oleh pihak ketiga, ekspeditor, persyaratan khusus terhadap pengemasan dan pelabelan. Diperlukan adanya konsultasi dengan ahli mengenai material berbahaya untuk persiapan barang yang akan dikirimkan. Perhatikan pula peraturan nasional yang lebih terperinci yang mungkin ada. Beri perekat atau tutupi bagian yang terbuka dan kemasi baterai dengan cara yang tidak akan menimbulkan pergeseran dalam pengemasan.

11. Ketika membuang kartrid baterai, lepaskan dari mesin dan buang ke tempat yang aman. Patuhi peraturan setempat yang berkaitan dengan pembuangan baterai.
12. Gunakan baterai hanya dengan produk yang ditentukan oleh Makita. Memasang baterai pada produk yang tidak sesuai dapat menyebabkan kebakaran, kelebihan panas, ledakan, atau kebocoran elektrolit.
13. Jika mesin tidak digunakan dalam jangka waktu yang lama, baterai harus dilepas dari mesin.
14. Selama dan setelah digunakan, kartrid baterai mungkin menyimpan panas yang dapat menyebabkan luka bakar atau luka bakar suhu rendah. Perhatikan cara memegang kartrid baterai yang masih panas.
15. Jangan langsung menyentuh terminal mesin setelah digunakan karena suhunya mungkin cukup panas untuk menyebabkan luka bakar.
16. Jangan biarkan serpihan, debu, atau tanah menempel di terminal, lubang, dan alur kartrid baterai. Hal tersebut dapat mengakibatkan kinerja buruk atau kerusakan mesin maupun kartrid baterai.
17. Kecuali jika mesin mendukung penggunaan di dekat saluran listrik bertegangan tinggi, jangan gunakan kartrid baterai di dekat saluran listrik bertegangan tinggi. Hal tersebut dapat mengakibatkan kegagalan fungsi atau kerusakan mesin maupun kartrid baterai.
18. Jauhkan baterai dari jangkauan anak-anak.

SIMPAN PETUNJUK INI.

⚠️ PERHATIAN: Gunakan baterai asli Makita. Penggunaan baterai Makita yang tidak asli, atau baterai yang sudah diubah, akan mengakibatkan baterai mudah terbakar, cedera dan kerusakan. Akan menghilangkan garansi Makita pada pengisi daya dan alat Makita.

Tip untuk menjaga agar umur pemakaian baterai maksimum

1. Isi ulang kartrid baterai sebelum habis sama sekali. Selalu hentikan penggunaan mesin dan ganti kartrid baterai jika Anda melihat bahwa mesin kurang tenaga.
2. Jangan pernah mengisi ulang kartrid baterai yang sudah diisi penuh. Pengisian ulang yang berlebih memperpendek umur pemakaian baterai.
3. Isi ulang kartrid baterai pada suhu ruangan 10 °C - 40 °C. Biarkan kartrid baterai yang panas menjadi dingin terlebih dahulu sebelum diisi ulang.
4. Saat kartrid baterai tidak digunakan, lepaskan dari mesin atau pengisi daya.
5. Isi ulang daya kartrid baterai jika Anda tidak menggunakannya untuk jangka waktu yang lama (lebih dari enam bulan).

Petunjuk keselamatan penting untuk unit nirkabel

1. Jangan membongkar atau memodifikasi unit nirkabel.
2. Jauhkan unit nirkabel dari anak kecil. Jika tidak sengaja tertelan, segera minta pertolongan medis.
3. Gunakan unit nirkabel hanya dengan peralatan Makita.
4. Pastikan unit nirkabel tidak kehujanan atau basah.
5. Jangan menggunakan unit nirkabel di tempat-tempat yang bersuhu lebih dari 50°C.
6. Jangan menggunakan unit nirkabel di tempat-tempat yang dekat dengan peralatan medis, seperti alat pacu jantung.
7. Jangan menggunakan unit nirkabel di tempat-tempat yang dekat dengan perangkat otomatis. Jika tetap digunakan, perangkat otomatis dapat menjadi tidak berfungsi atau rusak.
8. Jangan mengoperasikan unit nirkabel di tempat-tempat yang bersuhu tinggi atau tempat-tempat yang dapat menghasilkan listrik statis atau gangguan listrik.
9. Unit nirkabel dapat menghasilkan medan magnet (EMF), tetapi medan magnet ini tidak berbahaya bagi pengguna.
10. Unit nirkabel merupakan suatu peralatan yang akurat. Berhati-hatilah jangan sampai unit nirkabel jatuh atau terbentur.
11. Jangan menyentuh terminal unit nirkabel dengan tangan tanpa pelindung atau dengan barang berbahan logam.
12. Selalu lepaskan baterai dari produk ketika memasang unit nirkabel ke dalamnya.
13. Ketika membuka penutup celah hindari tempat yang dapat mengakibatkan debu dan air masuk ke dalam celah. Selalu jaga tempat masuk celah dalam keadaan bersih.
14. Selalu masukkan unit nirkabel dengan arah yang benar.
15. Jangan menekan tombol pengaktifan nirkabel pada unit nirkabel terlalu kuat dan/atau menekan tombol dengan benda berujung tajam.
16. Selalu tutup bagian penutup celah selama digunakan.
17. Jangan melepaskan unit nirkabel dari celah ketika daya sedang mengalir ke dalam mesin. Melakukan hal ini dapat menyebabkan kerusakan fungsi pada unit nirkabel.
18. Jangan melepaskan stiker pada unit nirkabel.
19. Jangan menempelkan stiker apa pun pada unit nirkabel.
20. Jangan meninggalkan unit nirkabel di tempat yang dapat menghasilkan listrik statis atau gangguan listrik.
21. Jangan meninggalkan unit nirkabel di tempat dengan panas tinggi seperti pada mobil di bawah sinar matahari langsung.

22. Jangan meninggalkan unit nirkabel di tempat berdebu atau berserbuk atau di tempat yang dapat menghasilkan gas yang bersifat korosif.
23. Perubahan suhu secara mendadak dapat mengakibatkan unit nirkabel menjadi berembun. Jangan menggunakan unit nirkabel hingga embun telah benar-benar kering.
24. Ketika membersihkan unit nirkabel, usap dengan hati-hati menggunakan kain lembut dan kering. Jangan menggunakan benzena, tiner, gemuk konduktif atau sejenisnya.
25. Ketika menyimpan unit nirkabel, simpan dalam kotak yang disediakan atau wadah bebas listrik statis.
26. Jangan memasukkan perangkat apa pun selain unit nirkabel Makita ke dalam celah pada mesin.
27. Jangan menggunakan mesin jika penutup celah rusak. Air, debu, dan kotoran yang masuk ke dalam celah dapat mengakibatkan malafungsi.
28. Jangan menarik dan/atau memutar penutup celah lebih dari yang diperlukan. Pasang ke tempatnya semula jika penutup terlepas dari mesin.
29. Ganti penutup celah jika hilang atau rusak.

SIMPAN PETUNJUK INI.

DESKRIPSI FUNGSI

PERHATIAN: Selalu pastikan bahwa mesin dimatikan dan kartrid baterai dilepas sebelum menyatel atau memeriksa kerja mesin.

Memasang atau melepas baterai

PERHATIAN: Selalu matikan mesin sebelum memasang atau melepas kartrid baterai.

PERHATIAN: Pegang mesin dan kartrid baterai kuat-kuat saat memasang atau melepas kartrid baterai. Kelalaian untuk memegang mesin dan kartrid baterai kuat-kuat bisa menyebabkan keduanya tergelincir dari tangan Anda dan mengakibatkan kerusakan pada mesin dan kartrid baterai dan cedera diri.

- **Gbr.1:** 1. Indikator berwarna merah 2. Tombol 3. Kartrid baterai

Untuk melepas kartrid baterai, geser dari mesin sambil menggeser tombol pada bagian depan kartrid.

Untuk memasang kartrid baterai, sejajarkan lidah kartrid baterai dengan alur pada rumah dan masukkan ke dalam tempatnya. Masukkan seluruhnya sampai terkunci pada tempatnya dan terdengar bunyi klik kecil. Jika Anda bisa melihat indikator berwarna merah pada sisi atas tombol, berarti tidak terkunci sepenuhnya.

PERHATIAN: Selalu pasang kartrid baterai sepenuhnya sampai indikator berwarna merah tidak terlihat. Jika tidak, bisa terlepas dari mesin secara tidak sengaja, menyebabkan luka pada Anda atau orang di sekitar Anda.

PERHATIAN: Jangan memasang kartrid baterai secara paksa. Jika kartrid tidak bergeser dengan mudah, berarti tidak dimasukkan dengan benar.

Mengindikasikan kapasitas baterai yang tersisa

Tekan tombol pemeriksaan pada kartrid baterai untuk melihat kapasitas baterai yang tersisa. Lampu indikator menyala selama beberapa detik.

- **Gbr.2:** 1. Lampu indikator 2. Tombol pemeriksaan

Lampu indikator			Kapasitas yang tersisa
Menyala	Mati	Berkedip	
■ ■ ■ ■			75% hingga 100%
■ ■ ■ □			50% hingga 75%
■ ■ □ □			25% hingga 50%
■ □ □ □			0% hingga 25%
▣ □ □ □			Isi ulang baterai.
■ □ □ □	↑ ↓	■ ■	Baterai mungkin sudah rusak.

CATATAN: Tergantung kondisi penggunaan dan suhu lingkungannya, penunjukkan mungkin saja sedikit berbeda dari kapasitas sebenarnya.

CATATAN: Lampu indikator pertama (ujung kiri) akan berkedip ketika sistem perlindungan mesin bekerja.

Sistem perlindungan mesin / baterai

Mesin ini dilengkapi dengan sistem perlindungan mesin/ baterai. Sistem ini memutus daya ke motor secara otomatis untuk memperpanjang umur pakai mesin dan baterai. Mesin akan berhenti secara otomatis saat dioperasikan jika mesin atau baterai mengalami salah satu dari kondisi-kondisi berikut ini:

Perlindungan kelebihan beban

Jika mesin atau baterai digunakan sedemikian rupa sehingga mesin menarik arus terlalu tinggi, mesin akan berhenti secara otomatis tanpa peringatan sebelumnya. Dalam situasi ini, matikan mesin dan hentikan pekerjaan yang menyebabkan mesin mengalami kelebihan beban. Kemudian, nyalakan mesin untuk kembali melanjutkan pekerjaan.

Perlindungan panas berlebih


Apabila mesin atau baterai terlalu panas, mesin akan berhenti secara otomatis dan lampu akan berkedip. Pada keadaan ini, tunggu hingga mesin dan baterai mendingin sebelum dinyalakan kembali.

Perlindungan pengisian daya berlebih

Ketika kapasitas baterai tidak cukup, mesin akan berhenti secara otomatis. Dalam kondisi ini, lepaskan baterai dari mesin dan isi ulang baterai.

Kerja sakelar

⚠️ PERINGATAN: Sebelum memasukkan kartrid baterai pada mesin, pastikan picu saklar berfungsi dengan baik dan kembali ke posisi "OFF" saat dilepas.

⚠️ PERHATIAN: Saat mesin tidak dioperasikan, tekan tombol pengunci pelatuk dari sisi  untuk mengunci pelatuk sakelar di posisi MATI.

► **Gbr.3:** 1. Pelatuk sakelar 2. Tombol pengunci pelatuk

Untuk mencegah pelatuk sakelar tertarik secara tidak sengaja, tersedia tombol pengunci pelatuk. Untuk menjalankan mesin, tekan tombol pengunci pelatuk dari sisi A dan tarik pelatuk sakelar. Lepaskan pelatuk sakelar untuk berhenti. Setelah selesai digunakan, tekan tombol pengunci pelatuk dari sisi B.

Perubahan kecepatan

Putaran dan hantaman per menit bisa disetel dengan memutar sakelar penyetel. Sakelar diberi tanda 1 (kecepatan terendah) sampai 5 (kecepatan penuh).

► **Gbr.4:** 1. Sakelar penyetel

Silakan mengacu pada tabel di bawah ini untuk hubungan antara angka pada sakelar penyetel dan putaran dan hantaman per menit.

Angka	Putaran per menit	Hantaman per menit
5	500	2900
4	470	2700
3	380	2150
2	290	1650
1	250	1450

⚠️ PERHATIAN: Jangan memutar sakelar penyetel ketika mesin sedang bekerja. Kelalaian dalam melakukannya dapat menyebabkan kehilangan kendali pada mesin dan mengakibatkan cedera.

PEMBERITAHUAN: Jika mesin dijalankan secara terus-menerus dengan kecepatan rendah dalam waktu yang lama, motor akan mengalami kelebihan beban dan mengakibatkan kerusakan mesin.

PEMBERITAHUAN: Sakelar penyetel kecepatan dapat diputar sampai maksimum angka 5 dan kembali ke 1. Jangan dipaksa melewati angka 5 atau 1, karena fungsi penyetelan kecepatan bisa tidak berfungsi lagi.

CATATAN: Fungsi putaran lembut tanpa beban

Ketika sakelar penyetel kecepatan diatur ke "3" atau lebih, mesin secara otomatis mengurangi kecepatan saat tidak ada beban untuk mengurangi getaran ketika tidak ada beban.

Ketika pengoperasian dimulai dengan pengerjaan pada beton, embusan per menit meningkat dan mencapai angka yang ditunjukkan dalam tabel.

Ketika suhu rendah, mesin mungkin tidak berfungsi dengan baik walaupun motornya berputar.

Menyalakan lampu depan

► **Gbr.5:** 1. Lampu

⚠️ PERHATIAN: Jangan melihat lampu atau sumber cahaya secara langsung.

Tarik picu saklar untuk menyalakan lampu. Lampu tetap menyala selama picu saklar ditarik. Lampu akan padam kira-kira 10 detik setelah melepas picu saklar.

PEMBERITAHUAN: Jika lampu mati setelah berkedip selama beberapa detik, teknologi penginderaan umpan balik aktif tidak akan bekerja dengan baik. Mintalah kepada Pusat Layanan Makita terdekat untuk memperbaikinya.


CATATAN: Gunakan kain kering untuk mengelap kotoran dari lensa lampu. Hati-hati jangan sampai menggores lensa lampu, atau hal tersebut dapat menurunkan tingkat penerangannya.

Memilih mode kerja

PEMBERITAHUAN: Jangan memutar tombol pengubah mode kerja ketika mesin sedang bekerja. Mesin bisa rusak.


PEMBERITAHUAN: Untuk menghindari keausan yang cepat pada mekanisme pengubah mode, pastikan bahwa tombol pengubah mode kerja diposisikan dengan tepat pada salah satu dari tiga posisi mode kerja.

Putaran dengan getar

Untuk mengebor beton, tembok, dsb., putar tombol pengubah mode kerja ke simbol . Gunakan mata bor berujung carbide.

► **Gbr.6:** 1. Tombol pengubah mode kerja 2. Penunjuk

Getar saja

Untuk pekerjaan menyerpih, menumbuk atau membobok, putar tombol pengubah mode kerja ke simbol . Gunakan pahat beton, pahat besi, pahat tumbuk, dsb.

► **Gbr.7:** 1. Penunjuk 2. Tombol pengubah mode kerja

Pembatas torsi

PEMBERITAHUAN: Segera setelah pembatas torsi berfungsi, matikan mesin dengan segera.

Hal ini akan membantu mencegah keausan dini pada mesin.

PEMBERITAHUAN: Mata bor seperti gergaji lubang, yang cenderung terjepit atau terperangkap dalam lubang dengan mudah, tidak sesuai untuk mesin ini. Karena hal ini akan menyebabkan pembatas torsi terlalu sering berfungsi.

Pembatas torsi akan berfungsi ketika mencapai tingkat torsi tertentu. Motor akan terlepas dari poros keluaran. Ketika hal ini terjadi, mata bor akan berhenti berputar.

Fungsi elektronik

Mesin ini dilengkapi dengan fungsi elektronik untuk pengoperasian yang mudah.

Kontrol kecepatan konstan

Fungsi kontrol kecepatan memberikan kecepatan rotasi yang konstan terlepas dari kondisi muatan.

Awal pengerjaan yang lembut

Fungsi awal soft-start adalah untuk meminimalkan kejutan awal, dan membuat mesin berjalan lancar.

Teknologi penginderaan Umpan Balik Aktif

Jika badan mesin tiba-tiba berputar dengan akselerasi yang telah ditentukan sebelumnya akibat penguncian mata bor, dll., motor akan berhenti dengan paksa untuk mengurangi beban pada pergelangan tangan.

CATATAN: Fungsi teknologi penginderaan umpan balik aktif tidak akan bekerja jika akselerasi tidak mencapai nilai yang ditetapkan.

CATATAN: Fungsi teknologi penginderaan umpan balik aktif juga bekerja tepat ketika mata bor sekadar diayunkan pada akselerasi yang ditetapkan dalam operasi apa pun.

Apabila ini terjadi, lepaskan pelatuk sakelar, lalu tarik pelatuk sakelar untuk menyalakan ulang mesin.

Rem elektrik

Mesin ini dilengkapi dengan rem elektrik. Jika mesin selalu gagal melakukan pemberhentian cepat setelah pelatuk sakelar dilepaskan, servis mesin di pusat servis Makita.

PERAKITAN

PERHATIAN: Selalu pastikan bahwa mesin dimatikan dan kartrid baterai dilepas sebelum melakukan pekerjaan apa pun pada mesin.

Pegangan sisi

► **Gbr.8**

PERHATIAN: Gunakan pegangan sisi hanya ketika menyerpih, menumbuk atau membobok. Jangan gunakan ketika mengebor beton, tembok, dsb. Mesin tidak bisa dipegang dengan baik dengan pegangan sisi ini saat mengebor.

► **Gbr.9:** 1. Pegangan sisi 2. Mur klem

Pegangan sisi bisa diputar dalam arah vertikal dan dipasang pada posisi mana pun yang diinginkan. Pegangan sisi juga dapat disesuaikan pada delapan langkah maju mundur dalam arah horizontal. Kendurkan mur klem untuk memutar pegangan sisi ke posisi yang diinginkan, kemudian kencangkan mur klem dengan kuat.

Gagang sisi (pegangan tambahan)

PERHATIAN: Gunakan selalu gagang sisi untuk menjamin keselamatan penggunaan.

PERHATIAN: Setelah memasang atau menyetel gagang sisi, pastikan bahwa gagang sisi benar-benar terpasang dengan kencang.

Gagang sisi dapat diputar, sehingga memudahkan dalam memegang mesin pada posisi apa pun. Kendurkan gagang sisi dengan memutarnya berlawanan arah jarum jam, putar ke posisi yang diinginkan kemudian kencangkan dengan memutarnya searah jarum jam.

► **Gbr.10:** 1. Gagang sisi

Memasang atau melepas mata bor

Gemuk

Bersihkan ujung batang pada mata mesin dan berikan gemuk sebelum memasang mata mesin.

Lapisi ujung batang pada mata mesin sebelumnya dengan jumlah gemuk yang sedikit (sekitar 0,5 - 1 g). Pelumasan cekam ini menjamin kelancaran kerja dan memperpanjang umur pemakaian mesin.

► **Gbr.11:** 1. Ujung batang 2. Gemuk

Masukkan mata bor pada alat. Putar mata bor dan tekan sampai terpasang.


Setelah terpasang, selalu pastikan bahwa mata bor benar-benar terpasang pada tempatnya dengan mencoba menariknya keluar.

► **Gbr.12:** 1. Mata bor


Untuk melepas mata bor, tarik tutup cekam sepenuhnya dan tarik mata bor keluar.

► **Gbr.13:** 1. Mata bor 2. Tutup cekam

Sudut pemahat (ketika menyerpih, menumbuk atau membobok)

Pemahat dapat dipasang pada posisi yang diinginkan. Untuk mengubah sudut pemahat, putar knob pengubah mode kerja ke simbol . Putar pemahat ke sudut yang diinginkan.

- **Gbr.14:** 1. Tombol pengubah mode kerja
2. Penunjuk

Putar tombol pengubah mode kerja ke simbol . Kemudian pastikan bahwa pemahat benar-benar terpasang pada tempatnya dengan memutarinya sedikit.

Pengukur kedalaman

Pengukur kedalaman sangat tepat digunakan untuk menghasilkan lubang-lubang pengeboran dengan kedalaman yang seragam.

Tekan dan tahan tombol kunci, dan kemudian masukkan pengukur kedalaman ke dalam lubang segi-enam.

- **Gbr.15:** 1. Pengukur kedalaman 2. Tombol kunci

Pastikan bahwa sisi bergigi pada pengukur kedalaman menghadap tanda.

- **Gbr.16:** 1. Tanda 2. Sisi bergigi

Sesuaikan pengukur kedalaman dengan menggerakannya maju-mundur sambil menekan tombol kunci. Setelah disesuaikan, lepaskan tombol kunci untuk mengunci pengukur kedalaman.

CATATAN: Pastikan pengukur kedalaman tidak menyentuh badan utama mesin saat memasangnya.

Perangkat tambahan pengumpul debu

Pilihan aksesoris

Memasang perangkat tambahan pengumpul debu

1. Kendurkan gagang sisi pada mesin.
2. Pasang penutup debu sehingga penjepit penutup debu terpasang tepat pada alur antara mesin dan gagang sisi.

- **Gbr.17:** 1. Penutup debu 2. Penjepit 3. Alur

3. Kencangkan gagang sisi dengan kuat.
4. Pasang belos atau sambungan penutup debu yang tepat untuk pekerjaan Anda. Ketika Anda menggunakan belos, pasang sambungan ke bagian atasnya. Ketika Anda menumpuk dua belos, hubungkan dengan sambungan.

- **Gbr.18:** 1. Sambungan penutup debu 2. Penutup debu 3. Sambungan 4. Belos

Menyambungkan mesin ke pengisap debu

1. Pasang sambungan penahan ke mesin, dan pasang penahan selang ke sambungan penahan.

- **Gbr.19:** 1. Sambungan penahan 2. Penahan selang

CATATAN: Sambungan selang dapat dipasang ke kedua sisi mesin.

PERINGATAN: Gunakan bagian pemasangan mesin hanya untuk memasang sambungan penahan.

Menggunakan bagian pemasangan untuk tujuan lain apa pun dapat menyebabkan kecelakaan tak terduga.

2. Pasang selang ke penahan selang.

- **Gbr.20:** 1. Penahan selang

CATATAN: Gunakan sambungan 25 untuk menghubungkan selang dan penutup debu bila perlu.

Menggunakan pengukur kedalaman untuk pengeboran

Ketika Anda menumpuk dua belos, pasang sambungan pengukur kedalaman pada pengukur kedalaman.

- **Gbr.21:** 1. Sambungan pengukur kedalaman

Perangkat tambahan pengumpul debu (hanya untuk getar saja)

Pilihan aksesoris

1. Pasang penahan selang (A/B).

Ketika pegangan sisi terpasang pada mesin, kendurkan mur klem, kemudian lepaskan baut heksagonal.

Pasang penahan selang (A) di antara baut heksagonal dan mur klem dengan mengencangkan mur klem kuat-kuat.

- **Gbr.22:** 1. Baut kepala segi enam 2. Penahan selang (A) 3. Mur klem

Ketika gagang sisi terpasang pada mesin, kendurkan gagang sisi, pasang penahan selang (B) ke poros, lalu kencangkan gagang sisi kuat-kuat.

- **Gbr.23:** 1. Penahan selang (B) 2. Poros 3. Gagang sisi

2. Pasang sambungan penahan ke mesin, dan kemudian pasang penahan selang (C) ke sambungan penahan.

- **Gbr.24:** 1. Sambungan penahan 2. Penahan selang (C)

CATATAN: Sambungan selang dapat dipasang ke kedua sisi mesin.

PERINGATAN: Gunakan bagian pemasangan mesin hanya untuk memasang sambungan penahan.

Menggunakan bagian pemasangan untuk tujuan lain apa pun dapat menyebabkan kecelakaan tak terduga.

3. Pasang penutup debu dan selang ke mesin, kemudian pasang selang ke penahan selang.

- **Gbr.25:** 1. Penutup debu 2. Selang 3. Penahan selang (A/B) 4. Penahan selang (C)

4. Sambungkan selang ke selang pengisap debu dengan sambungan selang.

CATATAN: Jika selang tidak disertakan, pasang penutup debu ke selang pengisap debu atau sambungkan ke selang Makita $\varnothing 28$.

5. Setel jarak antara penutup debu dan ujung pahat atau pahat beton. Jarak yang disarankan adalah 30 mm hingga 100 mm.

► **Gbr.26:** (1) 30 mm hingga 100 mm

PENGGUNAAN

⚠PERHATIAN: Selalu gunakan pegangan sisi/gagang sisi (pegangan tambahan) dan pegang mesin kuat-kuat pada kedua pegangan sisi/gagang sisi dan pegangan sakelar selama penggunaan.

⚠PERHATIAN: Selalu pastikan bidang kerja terpasang dengan aman sebelum penggunaan. Kegagalan untuk mengencangkan benda kerja secara tepat dapat menyebabkan benda kerja bergerak yang mengakibatkan cedera.

⚠PERHATIAN: Jangan mencabut mesin secara paksa meskipun mata mesin macet. Kehilangan kendali bisa menyebabkan cedera.

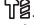
⚠PERHATIAN: Jangan meninggalkan mesin yang tertancap pada benda kerja. Jika tidak, mesin dapat menyala tanpa sengaja dan menyebabkan cedera.

CATATAN: Jika kartrid baterai berada pada suhu rendah, kemampuan mesin mungkin tidak dapat diperoleh secara penuh. Pada kondisi ini, panaskan kartrid baterai dengan menggunakan mesin tanpa beban selama beberapa saat untuk memperoleh kemampuan mesin secara penuh.

► **Gbr.27**

Cara pengoperasian bor getar


⚠PERHATIAN: Akan timbul gaya yang sangat kuat dan tiba-tiba pada mesin/mata mesin saat menembus lubang, bila lubang dipenuhi geram-geram atau partikel, atau bila menabrak besi-besi tulangan yang terpasang di dalam beton. **Selalu gunakan gagang sisi (pegangan tambahan) dan pegang mesin kuat-kuat pada kedua gagang sisi dan pegangan saklar selama penggunaan.** Kelalaian dalam melakukannya dapat menyebabkan kehilangan kendali pada mesin dan berpotensi mengakibatkan cedera berat.

Posisikan tombol pengubah mode kerja ke simbol . Posisikan mata bor pada lokasi yang diinginkan untuk lubang, kemudian tarik picu sakelar. Jangan memaksa mesin listrik. Tekanan yang ringan akan memberi hasil yang terbaik. Jaga posisi mesin dan cegah agar tidak selip dari lubang.

Jangan menambah tekanan bila lubang dipenuhi serpihan atau partikel. Tetapi, nyalakan mesin tanpa putaran, lalu angkat mata bor sedikit dari lubang. Dengan melakukan hal ini beberapa kali, lubang akan bersih dan pengeboran normal bisa dilanjutkan kembali.

CATATAN: Eksentrisitas pada putaran mata bor bisa terjadi ketika menggunakan alat tanpa beban. Mesin akan memusatkan diri secara otomatis selama penggunaan. Hal ini tidak memengaruhi ketepatan pengeboran.

Menyerpih/Menumbuk/Membobok

Posisikan tombol pengubah mode kerja ke simbol . Tahan mesin dengan kuat menggunakan kedua tangan. Nyalakan mesin dan beri sedikit tekanan pada mesin sehingga mesin tidak akan memantul, menjadi tidak terkendali.

Menekan mesin kuat-kuat tidak akan menambah efisiensi.

► **Gbr.28**

Penghembus angin

Pilihan aksesori

Setelah mengebor lubang, gunakan penghembus angin untuk membersihkan lubang dari debu.

► **Gbr.29**

FUNGSI PENGAKTIFAN NIRKABEL

Pilihan aksesori

Kegunaan dari fungsi pengaktifan nirkabel

Fungsi pengaktifan nirkabel memungkinkan pengoperasian yang bersih dan nyaman. Dengan menyambungkan pengisap debu yang didukung ke mesin, Anda dapat menjalankan pengisap debu secara otomatis bersama dengan pengoperasian sakelar mesin.

► **Gbr.30**

Untuk menggunakan fungsi pengaktifan nirkabel, siapkan item-item berikut:

- Unit nirkabel (pilihan aksesori)
- Pengisap debu yang mendukung fungsi pengaktifan nirkabel

Berikut ialah gambaran umum mengenai pengaturan fungsi pengaktifan nirkabel. Lihat pada masing-masing bagian untuk prosedur terperinci.

1. Memasang unit nirkabel
2. Registrasi mesin untuk pengisap debu
3. Memulai fungsi pengaktifan nirkabel

Memasang unit nirkabel

Pilihan Aksesori

PERHATIAN: Letakkan mesin pada permukaan yang datar dan stabil pada saat memasang unit nirkabel.

PEMBERITAHUAN: Bersihkan debu dan kotoran yang menempel pada mesin sebelum memasang unit nirkabel. Debu atau kotoran dapat mengakibatkan malafungsi jika masuk ke dalam celah unit nirkabel.

PEMBERITAHUAN: Untuk mencegah terjadinya malafungsi yang disebabkan oleh listrik statis, sentuh bahan yang melepaskan muatan listrik statis, seperti bagian logam pada mesin, sebelum mengambil unit nirkabel.

PEMBERITAHUAN: Ketika memasang unit nirkabel, selalu pastikan bahwa unit nirkabel dimasukkan dengan arah yang benar dan penutup telah benar-benar ditutup.

1. Buka penutup pada mesin sebagaimana yang ditunjukkan dalam gambar.

► **Gbr.31:** 1. Penutup

2. Masukkan unit nirkabel ke celah dan kemudian tutup penutup.

Ketika memasang unit nirkabel, sejajarkan proyeksi dengan bagian-bagian ceruk pada celah.

► **Gbr.32:** 1. Unit nirkabel 2. Proyeksi 3. Penutup 4. Bagian-bagian ceruk

Ketika melepaskan unit nirkabel, buka penutup secara perlahan. Kait pada bagian belakang penutup akan mengangkat unit nirkabel ketika Anda menarik penutup.

► **Gbr.33:** 1. Unit nirkabel 2. Kait 3. Penutup

Setelah melepaskan unit nirkabel, simpan unit dalam kotak yang disediakan atau wadah bebas listrik statis.

PEMBERITAHUAN: Selalu gunakan kait pada bagian belakang penutup pada saat melepaskan unit nirkabel. Jika kait tidak mengenai unit nirkabel, tutup penutup sepenuhnya dan buka kembali secara perlahan.

Registrasi mesin untuk pengisap debu

CATATAN: Pengisap debu Makita yang mendukung fungsi pengaktifan nirkabel diperlukan untuk registrasi mesin.

CATATAN: Selesaikan pemasangan unit nirkabel ke mesin sebelum memulai registrasi mesin.

CATATAN: Selama registrasi mesin, jangan menarik pelatuk sakelar atau menghidupkan sakelar daya pada pengisap debu.

CATATAN: Lihat juga petunjuk penggunaan pengisap debu.

Jika Anda ingin mengaktifkan pengisap debu bersama dengan pengoperasian sakelar mesin, selesaikan registrasi mesin terlebih dahulu.

1. Pasang baterai ke pengisap debu dan mesin.

2. Setel sakelar siaga pada pengisap debu ke "AUTO".

► **Gbr.34:** 1. Sakelar siaga

3. Tekan tombol pengaktifan nirkabel pada pengisap debu selama 3 detik hingga lampu pengaktifan nirkabel berkedip menjadi warna hijau. Kemudian tekan tombol pengaktifan nirkabel pada mesin dengan cara yang sama.

► **Gbr.35:** 1. Tombol pengaktifan nirkabel 2. Lampu pengaktifan nirkabel

Jika pengisap debu dan mesin berhasil tersambung, lampu pengaktifan nirkabel akan menyala hijau selama 2 detik dan mulai berkedip dalam warna biru.

CATATAN: Lampu pengaktifan nirkabel akan berhenti berkedip dalam warna hijau setelah 20 detik. Tekan tombol pengaktifan nirkabel pada mesin ketika lampu pengaktifan nirkabel pada pembersih berkedip. Jika lampu pengaktifan nirkabel tidak berkedip dalam warna hijau, tekan tombol pengaktifan nirkabel sebentar dan tahan kembali.

CATATAN: Ketika melakukan registrasi beberapa mesin untuk satu pengisap debu, selesaikan registrasi mesin satu demi satu.

Memulai fungsi pengaktifan nirkabel

CATATAN: Selesaikan registrasi mesin untuk pengisap debu sebelum pengaktifan nirkabel.

CATATAN: Lihat juga petunjuk penggunaan pengisap debu.

Setelah registrasi mesin ke pengisap debu, pengisap debu akan secara otomatis bekerja bersama dengan pengoperasian sakelar mesin.

1. Pasang unit nirkabel ke mesin.

2. Sambungkan selang pengisap debu dengan mesin.

► **Gbr.36**

3. Setel sakelar siaga pada pengisap debu ke "AUTO".

► **Gbr.37:** 1. Sakelar siaga

4. Tekan sebentar tombol pengaktifan nirkabel pada mesin. Lampu pengaktifan nirkabel akan berkedip dalam warna biru.

► **Gbr.38:** 1. Tombol pengaktifan nirkabel 2. Lampu pengaktifan nirkabel

5. Tarik pelatuk sakelar pada mesin. Periksa apakah pengisap debu bekerja ketika pelatuk sakelar ditarik.

Untuk menghentikan pengaktifan nirkabel pada pengisap debu, tekan tombol pengaktifan nirkabel pada mesin.

CATATAN: Lampu pengaktifan nirkabel pada mesin akan berhenti berkedip dalam warna biru jika tidak ada pengoperasian selama 2 jam. Dalam kasus ini, setel sakelar siaga pada pengisap debu ke "AUTO" dan tekan kembali tombol pengaktifan nirkabel pada mesin.

CATATAN: Pengisap debu akan mulai/berhenti dengan jeda. Ada jeda waktu ketika pengisap debu mendeteksi adanya pengoperasian sakelar mesin.










CATATAN: Jarak transmisi unit nirkabel dapat berbeda, tergantung lokasi dan keadaan sekitar.

CATATAN: Ketika beberapa mesin teregistrasi ke satu pengisap debu, pengisap debu dapat mulai bekerja walaupun Anda tidak menarik pelatuk sakelar karena pengguna lain sedang menggunakan fungsi pengaktifan nirkabel.

Deskripsi mengenai status lampu pengaktifan nirkabel

► Gbr.39: 1. Lampu pengaktifan nirkabel

Lampu pengaktifan nirkabel menunjukkan status dari fungsi pengaktifan nirkabel. Lihat pada tabel di bawah untuk mengetahui arti dari status lampu.

Status	Lampu pengaktifan nirkabel				Deskripsi
	Warna	 Menyala	 Berkedip	Durasi	
Siaga	Biru			2 jam	Tersedia pengaktifan nirkabel pada pengisap debu. Lampu akan mati secara otomatis ketika tidak ada pengoperasian yang dilakukan selama 2 jam.
				Ketika mesin bekerja.	Tersedia pengaktifan nirkabel pada pengisap debu dan mesin bekerja.
Registrasi mesin	Hijau			20 detik	Siap untuk registrasi mesin. Menunggu registrasi oleh pengisap debu.
				2 detik	Registrasi mesin telah selesai. Lampu pengaktifan nirkabel akan mulai berkedip dalam warna biru.
Membatalkan registrasi mesin	Merah			20 detik	Siap untuk membatalkan registrasi mesin. Menunggu untuk dibatalkan oleh pengisap debu.
				2 detik	Pembatalan registrasi mesin telah selesai. Lampu pengaktifan nirkabel akan mulai berkedip dalam warna biru.
Lainnya	Merah			3 detik	Daya dialirkan ke unit nirkabel dan fungsi pengaktifan nirkabel dimulai.
	Mati	-		-	Pengaktifan nirkabel pada pengisap debu dihentikan.

Membatalkan registrasi mesin untuk pengisap debu

Lakukan prosedur berikut ketika membatalkan registrasi mesin untuk pengisap debu.

1. Pasang baterai ke pengisap debu dan mesin.
2. Setel sakelar siaga pada pengisap debu ke "AUTO".

► Gbr.40: 1. Sakelar siaga

3. Tekan tombol pengaktifan nirkabel pada pengisap debu selama 6 detik. Lampu pengaktifan nirkabel berkedip dalam warna hijau dan kemudian akan menjadi merah. Setelah itu, tekan tombol pengaktifan nirkabel pada mesin dengan cara yang sama.

► Gbr.41: 1. Tombol pengaktifan nirkabel 2. Lampu pengaktifan nirkabel

Jika pembatalan berhasil dilakukan, lampu pengaktifan nirkabel akan menyala dalam warna merah selama 2 detik dan mulai berkedip dalam warna biru.

CATATAN: Lampu pengaktifan nirkabel berhenti berkedip dalam warna merah setelah 20 detik. Tekan tombol pengaktifan nirkabel pada mesin ketika lampu pengaktifan nirkabel pada pembersih berkedip. Jika lampu pengaktifan nirkabel tidak berkedip dalam warna merah, tekan tombol pengaktifan nirkabel sebentar dan tahan kembali.

Pemecahan masalah fungsi pengaktifan nirkabel

Sebelum meminta perbaikan, lakukan pemeriksaan mandiri terlebih dahulu. Jika Anda menemukan masalah yang tidak dijelaskan dalam buku petunjuk ini, jangan coba membongkar mesin. Sebaliknya, hubungi Pusat Servis Resmi Makita, dan selalu gunakan suku cadang pengganti Makita untuk perbaikan.

Keadaan Tidak Normal	Kemungkinan penyebab (kerusakan fungsi)	Perbaikan
Lampu pengaktifan nirkabel tidak menyala/berkedip.	Unit nirkabel tidak dipasang ke dalam mesin. Unit nirkabel tidak dipasang dengan benar ke dalam mesin.	Pasang unit nirkabel dengan benar.
	Terminal unit nirkabel dan/atau celah kotor.	Bersihkan dengan lembut debu dan kotoran yang terdapat pada terminal unit nirkabel dan bersihkan celah.
	Tombol pengaktifan nirkabel pada mesin belum ditekan.	Tekan sebentar tombol pengaktifan nirkabel pada mesin.
	Sakelar siaga pada pengisap debu tidak disetel ke "AUTO".	Setel sakelar siaga pada pengisap debu ke "AUTO".
	Tidak ada pasokan daya	Alirkan daya ke mesin dan pengisap debu.
Tidak dapat menyelesaikan registrasi mesin/pembatalan registrasi mesin.	Unit nirkabel tidak dipasang ke dalam mesin. Unit nirkabel tidak dipasang dengan benar ke dalam mesin.	Pasang unit nirkabel dengan benar.
	Terminal unit nirkabel dan/atau celah kotor.	Bersihkan dengan lembut debu dan kotoran yang terdapat pada terminal unit nirkabel dan bersihkan celah.
	Sakelar siaga pada pengisap debu tidak disetel ke "AUTO".	Setel sakelar siaga pada pengisap debu ke "AUTO".
	Tidak ada pasokan daya	Alirkan daya ke mesin dan pengisap debu.
	Pengoperasian salah	Tekan sejenak tombol pengaktifan nirkabel dan lakukan kembali prosedur registrasi mesin/pembatalan.
	Mesin dan pengisap debu saling berjauhan satu sama lain (di luar jangkauan transmisi).	Dekatkan mesin dan pengisap debu satu sama lain. Jarak transmisi maksimum adalah sekitar 10 m, tetapi jarak dapat berbeda sesuai dengan keadaan.
	Sebelum menyelesaikan registrasi mesin/pembatalan; - pelatuk sakelar pada mesin ditarik, atau; - tombol daya pada pengisap debu dinyalakan.	Tekan sejenak tombol pengaktifan nirkabel dan lakukan kembali prosedur registrasi mesin/pembatalan.
	Prosedur registrasi mesin untuk mesin atau pengisap debu belum selesai.	Lakukan prosedur registrasi mesin untuk mesin dan pengisap debu di waktu yang sama.
Gangguan radio oleh perangkat lain yang menghasilkan gelombang radio intensitas tinggi.	Jauhkan mesin dan pengisap debu dari perangkat seperti perangkat Wi-Fi dan oven microwave.	

Kondisi Tidak Normal	Kemungkinan penyebab (kerusakan fungsi)	Perbaikan
Pengisap debu tidak bekerja bersama dengan pengoperasian sakelar mesin.	Unit nirkabel tidak dipasang ke dalam mesin. Unit nirkabel tidak dipasang dengan benar ke dalam mesin.	Pasang unit nirkabel dengan benar.
	Terminal unit nirkabel dan/atau celah kotor.	Bersihkan dengan lembut debu dan kotoran yang terdapat pada terminal unit nirkabel dan bersihkan celah.
	Tombol pengaktifan nirkabel pada mesin belum ditekan.	Tekan sejenak tombol pengaktifan nirkabel dan pastikan lampu pengaktifan nirkabel berkedip dalam warna biru.
	Sakelar siaga pada pengisap debu tidak disetel ke "AUTO".	Setel sakelar siaga pada pengisap debu ke "AUTO".
	Lebih dari 10 mesin teregistrasi ke pengisap debu.	Lakukan kembali registrasi mesin. Jika lebih dari 10 mesin teregistrasi ke pengisap debu, mesin yang teregistrasi paling awal akan dibatalkan secara otomatis.
	Pengisap debu menghapus semua registrasi mesin.	Lakukan kembali registrasi mesin.
	Tidak ada pasokan daya	Alirkan daya ke mesin dan pengisap debu.
	Mesin dan pengisap debu saling berjauhan satu sama lain (di luar jangkauan transmisi).	Dekatkan mesin dan pengisap debu satu sama lain. Jarak transmisi maksimum adalah sekitar 10 m, tetapi jarak dapat berbeda sesuai dengan keadaan.
Gangguan radio oleh perangkat lain yang menghasilkan gelombang radio intensitas tinggi.	Jauhkan mesin dan pengisap debu dari perangkat seperti perangkat Wi-Fi dan oven microwave.	
Pengisap debu bekerja ketika pelatuk sakelar mesin tidak ditarik.	Pengguna lain sedang menggunakan pengaktifan nirkabel pengisap debu dengan mesin mereka.	Matikan tombol pengaktifan nirkabel dari mesin lain atau batalkan registrasi mesin dari mesin lain.

PERAWATAN

⚠️ PERHATIAN: Selalu pastikan bahwa mesin dimatikan dan kartrid baterai dilepas sebelum melakukan pemeriksaan atau perawatan.

PEMBERITAHUAN: Jangan sekali-kali menggunakan bensin, tiner, alkohol, atau bahan sejenisnya. Penggunaan bahan demikian dapat menyebabkan perubahan warna, perubahan bentuk atau timbulnya retakan.

Untuk menjaga KEAMANAN dan KEANDALAN mesin, perbaikan, perawatan atau penyetulan lainnya harus dilakukan oleh Pusat Layanan Resmi atau Pabrik Makita; selalu gunakan suku cadang pengganti buatan Makita.

AKSESORI PILIHAN

⚠️ PERHATIAN: Dianjurkan untuk menggunakan aksesoris atau perangkat tambahan ini dengan mesin Makita Anda yang ditentukan dalam petunjuk ini. Penggunaan aksesoris atau perangkat tambahan lain bisa menyebabkan risiko cedera pada manusia. Hanya gunakan aksesoris atau perangkat tambahan sesuai dengan peruntukannya.

Jika Anda memerlukan bantuan lebih rinci berkenaan dengan aksesoris ini, tanyakan pada Pusat Layanan Makita terdekat.

- Mata bor berujung carbide SDS-MAX
- Pahat beton SDS-MAX
- Pahat besi SDS-MAX
- Pahat tumbuk SDS-MAX
- Sekop lempung SDS-MAX
- Gemuk mata mesin
- Pegangan sisi
- Gagang sisi
- Pengukur kedalaman
- Penghembus angin
- Perangkat tambahan pengumpul debu
- Kaca mata pelindung
- Unit nirkabel
- Baterai dan pengisi daya asli buatan Makita
- Tas jinjing plastik

CATATAN: Beberapa item dalam daftar tersebut mungkin sudah termasuk dalam paket mesin sebagai aksesoris standar. Hal tersebut dapat berbeda dari satu negara ke negara lainnya.

SPEKIFIKASI

Model:		HR005G
Kapasiti	Bit hujung karbida	40 mm
	Bit teras	105 mm
Kelajuan tanpa beban (RPM)		250 - 500 min ⁻¹
Pukulan seminit		1,450 - 2,900 min ⁻¹
Panjang keseluruhan	dengan BL4025	484 mm
	dengan BL4040	500 mm
Voltan terkadar		D.C. 36 V - 40 V maks
Berat bersih		7.4 - 8.2 kg

- Disebabkan program penyelidikan dan pembangunan kami yang berterusan, spesifikasi yang terkandung di dalam ini adalah tertakluk kepada perubahan tanpa notis.
- Spesifikasi dan kartrij bateri mungkin berbeza mengikut negara.
- Berat mungkin berbeza bergantung kepada pemasangan, termasuk kartrij bateri. Kombinasi paling ringan dan paling berat, mengikut Prosedur EPTA 01/2014, ditunjukkan di dalam jadual.

Kartrij bateri dan pengecas yang boleh digunakan

Kartrij bateri	BL4020 / BL4025 / BL4040* / BL4050F* * : Bateri yang disyorkan
Pengecas	DC40RA / DC40RB / DC40RC

- Sesetengah kartrij bateri dan pengecas yang disenaraikan di atas mungkin tidak tersedia bergantung pada kawasan kediaman anda.

⚠️ AMARAN: Gunakan hanya kartrij bateri dan pengecas yang disenaraikan di atas. Penggunaan mana-mana kartrij bateri dan pengecas yang lain mungkin menyebabkan kecederaan dan/atau kebakaran.

Simbol

Berikut menunjukkan simbol-simbol yang boleh digunakan untuk alat ini. Pastikan anda memahami maksudnya sebelum menggunakan.



Baca manual arahan.



Hanya untuk negara-negara EU
Jangan lupuskan peralatan elektrik atau pek bateri bersama-sama bahan sisa rumah!
Dalam mematuhi Arahan-Arahan Eropah mengenai Sisa Peralatan Elektrik dan Elektronik dan Bateri dan Akumulator dan Sisa Bateri dan Akumulator serta pelaksanaan mereka mengikut undang-undang negara, peralatan elektrik dan bateri dan pek-pek bateri yang telah mencapai akhir hayatnya mesti dikumpul secara berasingan dan dikembalikan ke kemudahan kitar semula yang bersesuaian dengan alam sekitar.

Tujuan penggunaan

Alat ini bertujuan untuk penggerudian tukul dan penggerudian di dalam bata, konkrit dan batu serta untuk kerja memahat.

AMARAN KESELAMATAN

Amaran keselamatan umum alat kuasa

⚠️ AMARAN: Baca semua amaran keselamatan, arahan, ilustrasi dan spesifikasi yang disediakan dengan alat kuasa ini. Kegagalan mengikut amaran dan arahan boleh menyebabkan kejutan elektrik, kebakaran dan/atau kecederaan serius.

Simpan semua amaran dan arahan untuk rujukan masa depan.

Istilah "alat kuasa" dalam amaran merujuk kepada alat kuasa yang menggunakan tenaga elektrik (kabel) atau alat kuasa yang menggunakan bateri (tanpa kord).

Keselamatan kawasan kerja

1. **Pastikan kawasan kerja bersih dan terang.** Kawasan berselerak atau gelap mengundang kemalangan.
2. **Jangan kendalikan alat kuasa dalam keadaan yang mudah meletup, seperti dalam kehadiran cecair, gas atau habuk yang mudah terbakar.** Alat kuasa menghasilkan percikan api yang boleh menyalakan debu atau wasap.

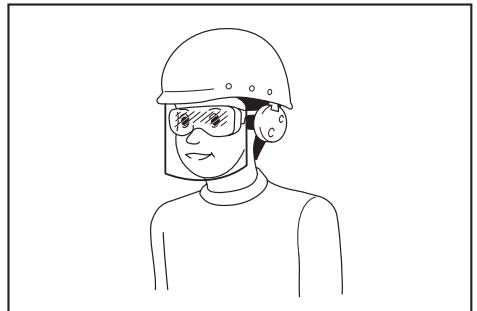
3. **Jauhkan kanak-kanak dan orang ramai semasa mengendalikan alat kuasa.** Gangguan boleh menyebabkan anda hilang kawalan.

Keselamatan elektrik

1. **Palam alat kuasa mesti sepadan dengan soket.** Jangan ubah suai palam dalam apa cara sekalipun. Jangan gunakan sebarang palam penyesuaian dengan alat kuasa terbumi. Palam yang tidak diubah suai dan soket yang sepadan akan mengurangkan risiko kejutan elektrik.
 2. **Elakkan sentuhan badan dengan permukaan terbumi, seperti paip, radiator, dapur dan peti sejuk.** Terdapat peningkatan risiko kejutan elektrik jika elektrik terbumi terkena badan anda.
 3. **Jangan biarkan alat kuasa terkena hujan atau basah.** Air yang memasuki alat kuasa akan meningkatkan risiko kejutan elektrik.
 4. **Jangan salah gunakan kord.** Jangan gunakan kord untuk membawa, menarik atau mencabut palam alat kuasa. Jauhkan kord dari haba, minyak, bucu tajam atau bahagian yang bergerak. Kord yang rosak atau tersimpul meningkatkan risiko kejutan elektrik.
 5. **Semasa mengendalikan alat kuasa di luar, gunakan kord sambungan yang bersesuaian untuk kegunaan luar.** Penggunaan kord yang sesuai untuk kegunaan luar mengurangkan risiko kejutan elektrik.
 6. **Sekiranya pengendalian alat kuasa di lokasi lembap tidak dapat dielakkan, gunakan bekalan peranti arus sisa (RCD) yang diilindungi.** Penggunaan RCD mengurangkan risiko kejutan elektrik.
 7. **Alat kuasa boleh menghasilkan medan elektromagnetik (EMF) yang tidak berbahaya kepada pengguna.** Walau bagaimanapun, pengguna perentak jantung atau peranti perubatan yang serupa harus menghubungi pembuat peranti mereka dan/atau doktor untuk nasihat sebelum mengendalikan alat kuasa ini.
4. **Alihkan sebarang kunci atau sepana pelaras sebelum menghidupkan alat kuasa.** Sepana atau kunci yang ditinggalkan pada bahagian berputar alat kuasa boleh menyebabkan kecederaan diri.
 5. **Jangan lampau jangkau.** Jaga pijakan dan keseimbangan yang betul pada setiap masa. Ini membolehkan kawalan alat kuasa yang lebih baik dalam situasi yang tidak dijangka.
 6. **Berpakaian dengan betul.** Jangan pakai pakaian yang longgar atau barang kemas. Jauhkan rambut dan pakaian anda dari bahagian yang bergerak. Pakaian longgar, barang kemas atau rambut yang panjang boleh terperangkap dalam bahagian yang bergerak.
 7. **Jika peranti disediakan untuk sambungan kemudahan pengekstrakan dan pengumpulan habuk, pastikan ia disambung dan digunakan dengan betul.** Penggunaan pengumpulan habuk boleh mengurangkan bahaya berkaitan habuk.
 8. **Jangan biarkan kebiasaan daripada kekerapan penggunaan alat membuatkan anda berpuas hati dan mengabaikan prinsip keselamatan alat.** Kecuaian boleh menyebabkan kecederaan serius dalam sekelip mata.
 9. **Sentiasa pakai gogal pelindung untuk melindungi mata anda daripada kecederaan apabila menggunakan alat kuasa.** Gogal mestilah mematuhi ANSI Z87.1 di AS, EN 166 di Eropah, atau AS/NZS 1336 di Australia/ New Zealand. Di Australia/New Zealand, undang-undang mengarahkan untuk memakai pelindung muka bagi melindungi muka anda, juga.

Keselamatan diri

1. **Sentiasa berwaspada, perhatikan apa yang anda lakukan dan guna akal budi semasa mengendalikan alat kuasa.** Jangan gunakan alat kuasa semasa anda letih atau di bawah pengaruh dadah, alkohol atau ubat. Kelekaan seketika semasa mengendalikan alat kuasa boleh menyebabkan kecederaan diri yang serius.
2. **Gunakan peralatan pelindung diri. Sentiasa pakai pelindung mata.** Peralatan pelindung seperti topeng debu, kasut keselamatan tak mudah tergelincir, topi keselamatan atau pelindung pendengaran yang digunakan untuk keadaan yang sesuai akan mengurangkan kecederaan diri.
3. **Elakkan permulaan yang tidak disengajakan. Pastikan suis ditutup sebelum menyambung kepada sumber kuasa dan/atau pek bateri, semasa mengangkat atau membawa alat.** Membawa alat kuasa dengan jari anda pada suis atau mentenagakan alat kuasa dengan suis pada kedudukan hidup mengundang kemalangan.



Menjadi tanggungjawab majikan untuk menguatkuasa penggunaan peralatan perlindungan keselamatan yang bersesuaian oleh pengendali alat dan oleh orang lain dalam kawasan bekerja semasa.

Penggunaan dan penjagaan alat kuasa

1. **Jangan gunakan alat kuasa dengan kasar.** Gunakan alat kuasa yang betul untuk penggunaan anda. Alat kuasa yang betul akan melakukan tugas dengan lebih baik dan lebih selamat pada kadar mana ia direka cipta.
2. **Jangan gunakan alat kuasa jika suis tidak berfungsi untuk menghidupkan dan mematikannya.** Alat kuasa yang tidak dapat dikawal dengan suis adalah berbahaya dan mesti dibaiki.

3. **Cabut palam dari sumber kuasa dan/atau keluarkan pek bateri, jika boleh ditanggalkan, dari alat kuasa sebelum membuat sebarang pelarasan, menukar aksesori, atau menyimpan alat kuasa.** Langkah-langkah keselamatan pencegahan sedemikian mengurangkan risiko memulakan alat kuasa secara tidak sengaja.
4. **Simpan alat kuasa yang tidak digunakan jauh dari jangkauan kanak-kanak dan jangan biarkan orang yang tidak biasa dengan alat kuasa atau arahan ini untuk mengendalikan alat kuasa.** Alat kuasa adalah berbahaya di tangan pengguna yang tidak terlatih.
5. **Menyelenggara alat kuasa dan aksesori. Periksa salah jajaran atau ikatan pada bahagian yang bergerak, bahagian yang pecah dan apa-apa keadaan lain yang boleh menjejaskan operasi alat kuasa. Jika rosak, baiki alat kuasa sebelum digunakan.** Kebanyakan kemalangan adalah disebabkan oleh alat kuasa yang tidak dijaga dengan baik.
6. **Pastikan alat pemotong tajam dan bersih.** Alat pemotong yang dijaga dengan betul dengan hujung pemotong yang tajam mempunyai kemungkinan yang rendah untuk terikat dan lebih mudah dikendalikan.
7. **Gunakan alat kuasa, aksesori dan alat bit dan sebagainya mengikut arahan ini dengan mengambil kira keadaan kerja dan kerja yang perlu dilakukan.** Penggunaan alat kuasa untuk operasi yang berbeza dari yang dimaksudkan boleh menyebabkan keadaan berbahaya.
8. **Pastikan pemegang dan permukaan pegangan kering, bersih dan bebas dari minyak dan gris.** Pemegang dan permukaan pegangan yang licin tidak membolehkan pengendalian dan kawalan selamat bagi alat dalam situasi yang tidak dijangka.
9. **Apabila menggunakan alat, jangan pakai sarung tangan kerja kain yang mungkin boleh kusut.** Kekusutan sarung tangan kerja kain pada bahagian yang bergerak boleh menyebabkan kecederaan diri.

Penggunaan dan penjagaan alat bateri

1. **Cas semula dengan pengecas yang ditentukan oleh pengeluar sahaja.** Pengecas yang sesuai untuk satu jenis pek bateri mungkin menimbulkan risiko kebakaran apabila digunakan dengan pek bateri lain.
2. **Gunakan alat kuasa dengan pek bateri yang ditentukan secara khusus sahaja.** Penggunaan mana-mana pek bateri lain mungkin menimbulkan risiko kecederaan dan kebakaran.
3. **Apabila pek bateri tidak digunakan, jauhkan daripada objek besi lain, seperti klip kertas, duit syiling, paku, skru atau objek besi kecil lain, yang boleh membuat sambungan dari satu terminal ke yang lain.** Memintas terminal bateri bersama-sama mungkin menyebabkan lecuran atau kebakaran.

4. **Di bawah keadaan kasar, cecair mungkin dikeluarkan daripada bateri; elakkan sentuhan. Jika tersentuh secara tidak sengaja, siram dengan air. Jika cecair terkena mata, dapatkan bantuan perubatan di samping siraman air.** Cecair yang dikeluarkan dari bateri mungkin menyebabkan kegatalan atau lecuran.
5. **Jangan gunakan pek bateri atau alat yang rosak atau diubah suai.** Bateri yang rosak atau diubah suai mungkin menunjukkan perilaku yang tidak dijangka menyebabkan kebakaran, letupan atau risiko kecederaan.
6. **Jangan dedahkan pek bateri atau alat kepada api atau suhu yang berlebihan.** Pendedahan kepada api atau suhu melebihi 130 °C mungkin menyebabkan letupan.
7. **Ikut semua arahan pengecasan dan jangan cas pek bateri atau alat di luar julat suhu yang ditetapkan dalam arahan.** Mengecas dengan tidak betul atau pada suhu di luar julat yang dinyatakan mungkin merosakkan bateri dan meningkatkan risiko kebakaran.

Servis

1. **Pastikan alat kuasa anda diservis oleh orang yang berkelayakan dengan hanya menggunakan alat ganti yang sama.** Ini akan memastikan keselamatan alat kuasa dapat dikekalkan.
2. **Jangan servis pek bateri yang telah rosak.** Servis pek bateri hanya boleh dilakukan oleh pengeluar atau penyedia servis yang sah.
3. **Ikut arahan untuk melincir dan menukar aksesori.**

AMARAN KESELAMATAN TUKUL BERPUTAR TANPA KORD

1. **Pakai pelindung telinga.** Pendedahan kepada bunyi bising boleh menyebabkan kehilangan pendengaran.
2. **Gunakan pemegang tambahan, jika dibekalkan dengan alat.** Hilang kawalan boleh menyebabkan kecederaan diri.
3. **Pegang alat kuasa dengan permukaan mencengkam terencil, apabila melakukan operasi aksesori pemotong boleh tersentuh wayar yang tersembunyi.** Aksesori pemotong yang bersentuh dengan wayar "hidup" boleh menyebabkan bahagian logam terdedah alat kuasa "hidup" dan boleh memberi kejutan elektrik kepada pengendali.
4. **Pakai topi keselamatan (topi keledar), cermin mata keselamatan dan/atau pelindung muka.** Cermin mata atau cermin mata gelap biasa BUKAN cermin mata keselamatan. Ia juga sangat disyorkan untuk anda memakai topeng habuk dan sarung tangan tebal.
5. **Pastikan bit dipasang dengan betul sebelum operasi.**
6. **Di bawah operasi biasa, alat ini direka untuk menghasilkan getaran. Skru boleh menjadi longgar dengan mudah yang menyebabkan kerosakan atau kemalangan. Periksa keketatan skru dengan teliti sebelum operasi.**

7. Dalam cuaca sejuk atau apabila alat tidak digunakan untuk jangka masa yang panjang, biarkan alat dipanaskan seketika dengan mengendalikannya tanpa sebarang beban. Ini akan mencairkan pelinciran. Tanpa pemanasan yang betul, operasi menukul adalah sukar.
8. Sentiasa pastikan anda mempunyai tapak berpijak yang kukuh. Pastikan tiada sesiapa di bawah apabila menggunakan alat di lokasi yang tinggi.
9. Pegang alat dengan kuat menggunakan kedua-dua tangan.
10. Jauhkan tangan dari bahagian bergerak.
11. Jangan tinggalkan alat yang sedang berjalan. Kendalikan alat hanya apabila dipegang.
12. Jangan halakan alat kepada sesiapa di kawasan sekitar semasa mengendalikan. Bit boleh terbang dan mencederakan seseorang dengan serius.
13. Jangan sentuh bit, bahagian yang dekat dengan bit, atau bahan kerja dengan sertaina serta selepas operasi; ia mungkin sangat panas dan boleh melecurkan kulit anda.
14. Seseengah bahan mengandungi bahan kimia yang mungkin toksik. Sila berhati-hati untuk mencegah penyedutan habuk dan sentuhan kulit. Ikut data keselamatan pembekal bahan.
15. Sentiasa pastikan alat dimatikan dan kartrij bateri serta bit dikeluarkan sebelum menyerahkan alat kepada orang lain.
16. Sebelum beroperasi, pastikan tiada objek tersebunyi seperti paip elektrik, paip air atau paip gas di kawasan kerja. Jika tidak, bit gerudi/pahat boleh menyentuhnya, menyebabkan kejutan elektrik, kebocoran elektrik atau kebocoran gas.
17. Jangan kendalikan alat tanpa beban tanpa keperluan.
4. Jika elektrolit masuk ke dalam mata anda, bilas mata dengan air jernih dan dapatkan rawatan perubatan serta merta. Ia mungkin menyebabkan kehilangan penglihatan.
5. Jangan pintaskan kartrij bateri:
 - (1) Jangan sentuh terminal dengan bahan berkonduksi.
 - (2) Elakkan menyimpan kartrij bateri dalam bekas bersama-sama objek besi lain seperti paku, duit syiling, dll.
 - (3) Jangan dedahkan kartrij bateri kepada air atau hujan.
 Pintasan bateri boleh menyebabkan aliran kuasa yang besar, pemanasan lampau, melecur dan juga kerosakan.
6. Jangan simpan dan gunakan alat dan kartrij bateri di lokasi yang suhunya mungkin mencapai atau melebihi 50 °C (122 °F).
7. Jangan bakar kartrij bateri walaupun jika ia rosak teruk atau haus sepenuhnya. Kartrij bateri boleh meletup dalam kebakaran.
8. Jangan paku, potong, pecahkan, buang, jatuhkan kartrij bateri, atau tekan objek keras pada kartrij bateri. Perbuatan sedemikian boleh mengakibatkan kebakaran, haba berlebihan, atau letupan.
9. Jangan gunakan bateri yang rosak.
10. Bateri litium ion yang terkandung adalah tertakluk kepada keperluan Perundangan Barangan Berbahaya. Bagi pengangkutan komersil cth. oleh pihak ketiga, ejen penghantar, keperluan khas pada pembungkusan dan pelabelan mestilah diperhatikan. Bagi persediaan item yang dihantar, berunding dengan pakar bahan berbahaya adalah diperlukan. Sila juga perhatikan sebolehnya peraturan kebangsaan yang lebih terperinci. Lekatkan atau balut bahagian terbuka dan pek bateri supaya ia tidak bergerak dalam pembungkusan.

SIMPAN ARAHAN INI.

⚠️ AMARAN: JANGAN biarkan keselesaan atau kebiasaan dengan produk (diperoleh dari kegunaan berulang) menggantikan pematuhan ketat terhadap peraturan keselamatan untuk produk yang ditetapkan. SALAH GUNA atau kegagalan mematuhi peraturan-peraturan keselamatan yang dinyatakan dalam manual arahan ini boleh menyebabkan kecederaan diri yang serius.

Arahan keselamatan penting untuk kartrij bateri

1. Sebelum menggunakan kartrij bateri, baca semua arahan dan tanda amaran pada (1) pengecas bateri, (2) bateri, dan (3) produk menggunakan bateri.
2. Jangan buka atau cabut kartrij bateri. Ia boleh mengakibatkan kebakaran, haba berlebihan, atau letupan.
3. Jika masa operasi menjadi sangat pendek, berhenti operasi serta merta. Ia mungkin menyebabkan risiko pemanasan lampau, melecur bahkan letupan.
11. Apabila melupuskan kartrij bateri, keluarkan ia daripada alat dan lupuskan ia di tempat selamat. Ikut peraturan tempatan anda mengenai pelupusan bateri.
12. Gunakan bateri hanya dengan produk yang ditentukan oleh Makita. Memasang bateri kepada produk yang tidak patuh mungkin menyebabkan kebakaran, pemanasan lampau, atau kebocoran elektrolit.
13. Jika alat tidak digunakan untuk tempoh masa yang lama, bateri mesti dikeluarkan daripada alat.
14. Semasa dan selepas penggunaan, kartrij bateri mungkin ada haba yang boleh menyebabkan terbakar atau suhu rendah terbakar. Beri perhatian kepada pengendalian kartrij bateri yang panas.
15. Jangan sentuh terminal alat itu selepas digunakan kerana ia mungkin panas menyebabkan terbakar.

16. Jangan biarkan cip, habuk, atau tanah terperangkap ke dalam terminal, lubang, dan alur kartrij bateri. Ia mungkin menyebabkan prestasi atau pecahan yang buruk dari alat atau kartrij bateri.
17. Melainkan alat ini menyokong penggunaan yang hampir dari talian kuasa elektrik voltan tinggi, jangan gunakan kartrij bateri berhampiran talian kuasa elektrik voltan tinggi. Ia mungkin menyebabkan kerosakan atau pecah pada alat atau kartrij bateri.
18. Jauhkan bateri daripada kanak-kanak.

SIMPAN ARAHAN INI.

⚠️ PERHATIAN: Hanya gunakan bateri asli Makita. Penggunaan bateri tidak asli Makita, atau bateri yang telah diubah suai, mungkin menyebabkan bateri meletup menyebabkan kebakaran, kecederaan diri dan kerosakan. Ia juga membatalkan jaminan Makita untuk alat Makita dan pengecas.

Tip untuk mengekalkan hayat bateri maksimum

1. Cas kartrij bateri sebelum ternyahcas sepenuhnya. Sentiasa hentikan operasi alat dan cas kartrij bateri apabila anda menyedari kurang kuasa alat.
2. Jangan cas semula kartrij bateri yang dicas sepenuhnya. Terlebih cas memendekkan hayat servis bateri.
3. Cas kartrij bateri dengan suhu bilik pada 10 °C - 40 °C (50 °F - 104 °F). Biarkan kartrij bateri yang panas menyejuk sebelum mengecasnya.
4. Apabila tidak menggunakan kartrij bateri, tanggalkannya dari alat atau pengecas.
5. Cas kartrij bateri jika anda tidak menggunakannya untuk tempoh yang lama (lebih daripada enam bulan).

Arahan keselamatan yang penting untuk unit tanpa wayar

1. Jangan leraikan atau menghentak dengan unit tanpa wayar.
2. Pastikan unit tanpa wayar jauh dari kanak-kanak. Jika ditelan dengan sengaja, dapatkan segera rawatan perubatan.
3. Guna unit tanpa wayar sahaja dengan alat Makita.
4. Jangan biarkan unit tanpa wayar terkena hujan atau keadaan basah.
5. Jangan gunakan unit tanpa wayar di tempat di mana suhu melebihi 50°C (122°F).
6. Jangan mengendalikan unit tanpa wayar di tempat alat perubatan, seperti pembuat langkah jantung yang berdekatan.
7. Jangan mengendalikan unit tanpa wayar di tempat di mana peranti automatik berada berdekatan. Jika dikendalikan, peranti automatik mungkin mengalami kerosakan atau ralat.
8. Jangan mengendalikan unit tanpa wayar di tempat bawah suhu tinggi atau tempat di mana elektrik statik atau bunyi elektrik yang boleh dijana.
9. Unit tanpa wayar boleh menghasilkan medan elektromagnet (EMF) tetapi tidak membahayakan kepada pengguna.
10. Unit tanpa wayar adalah alat yang tepat. Berhati-hati untuk tidak jatuhkan atau mengetuk unit tanpa wayar.
11. Elakkan menyentuh terminal unit tanpa wayar dengan tangan kosong atau bahan logam.
12. Sentiasa keluarkan bateri pada produk apabila memasang unit tanpa wayar ke dalamnya.
13. Apabila membuka penutup slot, elakkan tempat di mana habuk dan air boleh masuk ke dalam slot. Sentiasa pastikan slot salur masuk bersih.
14. Sentiasa masukkan unit tanpa wayar ke arah yang betul.
15. Jangan tekan butang pengaktifan pada unit tanpa wayar terlalu kuat dan/atau tekan butang dengan objek dengan sisi tajam.
16. Sentiasa tutup penutup slot semasa beroperasi.
17. Jangan keluarkan unit tanpa wayar dari slot semasa kuasa sedang dibekalkan ke alat itu. Berbuat demikian boleh menyebabkan kerosakan pada unit tanpa wayar.
18. Jangan keluarkan pelekat pada unit tanpa wayar.
19. Jangan letak sebarang pelekat pada unit tanpa wayar.
20. Jangan tinggalkan unit tanpa wayar di tempat bawah suhu tinggi atau tempat di mana elektrik statik atau bunyi elektrik yang boleh dijana.
21. Jangan biarkan unit tanpa wayar di tempat yang subjek kepada haba yang tinggi, seperti kereta yang duduk di bawah sinar matahari.
22. Jangan biarkan unit tanpa wayar di tempat yang berdebu atau serbuk atau di tempat menghakis gas yang boleh dijana.
23. Perubahan suhu yang mendadak mungkin merosakkan unit tanpa wayar. Jangan gunakan unit tanpa wayar sehingga embun selesai sepenuhnya.
24. Apabila membersihkan unit tanpa wayar, perlahan-lahan lap dengan kain lembut yang kering. Jangan gunakan benzin, nipis, gris konduktif atau sebagainya.
25. Apabila menyimpan unit tanpa wayar, simpan bekas yang dibekalkan atau bekas statik percuma.
26. Jangan masukkan sebarang peranti selain unit tanpa wayar Makita ke dalam slot pada alat itu.
27. Jangan gunakan alat dengan tudung slot yang rosak. Air, habuk, dan kotoran yang masuk ke dalam slot boleh menyebabkan kerosakan.
28. Jangan tarik dan/atau memutar tudung slot lebih daripada perlu. Puliakan tudung jika ia keluar dari alat.

29. Gantikan tudung slot jika ia hilang atau rosak.

SIMPAN ARAHAN INI.

KETERANGAN FUNGSI

⚠PERHATIAN: Sentiasa pastikan alat dimatikan dan kartrij bateri dikeluarkan sebelum menyelaraskan atau menyemak fungsi pada alat.

Memasang atau mengeluarkan kartrij bateri

⚠PERHATIAN: Sentiasa matikan alat sebelum memasang atau mengeluarkan kartrij bateri.

⚠PERHATIAN: Pegang alat dan kartrij bateri dengan kukuh apabila memasang atau mengeluarkan kartrij bateri. Gagal untuk memegang alat dan kartrij bateri dengan kukuh mungkin menyebabkan mereka terlepas daripada tangan anda dan mengakibatkan kerosakan kepada alat dan kartrij bateri dan kecederaan peribadi.

► **Rajah1:** 1. Penunjuk merah 2. Butang 3. Kartrij bateri

Untuk mengeluarkan kartrij bateri, lururkan ia daripada alat apabila meluncurkan butang di hadapan kartrij.

Untuk memasang kartrij bateri, selaraskan lidah pada kartrij bateri dengan alur pada perumah dan gelincirkan ia ke tempatnya. Masukkan ia sepenuhnya sehingga ia terkunci di tempatnya dengan klik kecil. Jika anda boleh melihat penunjuk merah di sisi atas butang, ia tidak dikunci sepenuhnya.

⚠PERHATIAN: Sentiasa pasang kartrij bateri sepenuhnya sehingga penunjuk merah tidak boleh dilihat. Jika tidak, ia mungkin jatuh tanpa sengaja daripada alat, menyebabkan kecederaan kepada anda atau seseorang di sekeliling anda.

⚠PERHATIAN: Jangan pasang kartrij bateri secara paksa. Jika kartrij tidak meluncur dengan mudah, ia tidak dimasukkan dengan betul.

Menunjukkan kapasiti bateri yang tinggal

Tekan butang semak pada kartrij bateri untuk menunjukkan kapasiti bateri yang tinggal. Lampu penunjuk menyala untuk beberapa saat.

► **Rajah2:** 1. Lampu penunjuk 2. Butang semak

Lampu penunjuk			Kapasiti yang tinggal
Dinyalakan	Mati	Berkelip	
			75% hingga 100%
			50% hingga 75%
			25% hingga 50%
			0% hingga 25%
			Cas bateri.
			Bateri mungkin telah rosak.

NOTA: Bergantung kepada keadaan penggunaan dan suhu persekitaran, penunjuk mungkin berbeza sedikit daripada kapasiti sebenar.

NOTA: Lampu penunjuk (kiri jauh) pertama akan berkedip apabila sistem perlindungan bateri berfungsi.

Sistem perlindungan alat / bateri

Alat dilengkapi dengan sistem perlindungan alat/bateri. Sistem ini memotong kuasa kepada motor secara automatik untuk memanjangkan hayat alat dan bateri. Alat akan berhenti secara automatik ketika operasi jika alat atau bateri diletakkan di bawah salah satu syarat yang berikut:

Perlindungan lebih beban

Apabila alat atau bateri beroperasi dengan cara yang menyebabkan ia menarik arus tinggi yang luar biasa, alat secara automatik terhenti tanpa sebarang penunjuk. Dalam situasi ini, matikan alat dan hentikan penggunaan yang menyebabkan alat menjadi terlebih beban. Kemudian hidupkan alat untuk mula semula.

Perlindungan pemanasan lampau


Apabila alat atau bateri terlampau panas, alat akan berhenti secara automatik dan lampu berkelip. Dalam hal ini, biarkan alat dan bateri sejuk sebelum menghidupkan semula alat.

Perlindungan lebih nyahcas

Apabila kapasiti bateri tidak mencukupi, alat akan berhenti secara automatik. Dalam kes ini, keluarkan bateri daripada alat dan cas bateri.

Tindakan suis

⚠️ AMARAN: Sebelum memasang kartrij bateri ke dalam alat, sentiasa periksa untuk melihat pemacu suis bergerak dengan betul dan kembali ke posisi "OFF" apabila dilepaskan.

⚠️ PERHATIAN: Apabila tidak mengendalikannya alat ini, tekan butang kunci pemacu dari sisi  untuk mengunci pemacu suis di kedudukan OFF.

► **Rajah3:** 1. Pemacu suis 2. Butang kunci pemacu

Untuk mengelakkan pemacu suis daripada ditarik secara tidak sengaja, butang kunci pemacu disediakan. Untuk memulakan alat, nyahtekan butang kunci pemacu dari sisi A dan tarik pemacu suis. Lepaskan pemacu suis untuk berhenti. Selepas digunakan, tekan butang kunci pemacu dari sisi B.

Perubahan kelajuan

Putaran dan pukulan seminit boleh dilaraskan hanya dengan memutar dail pelaras. Dail ditandakan 1 (kelajuan terendah) hingga 5 (kelajuan penuh).

► **Rajah4:** 1. Dail pelaras

Rujuk kepada jadual di bawah untuk mengetahui hubungan antara nombor pada dail pelaras dan putaran serta pukulan seminit.

Nombor	Putaran seminit	Pukulan seminit
5	500	2900
4	470	2700
3	380	2150
2	290	1650
1	250	1450

⚠️ PERHATIAN: Jangan pusingkan dail pelaras ketika alat sedang berjalan. Kegagalan berbuat demikian boleh mengakibatkan hilang kawalan pada alat dan kecederaan.

NOTIS: Jika alat ini dikendalikan secara berterusan pada kelajuan yang rendah, motor akan menjadi lebih beban, mengakibatkan pincang tugas.

NOTIS: Dail pelaras kelajuan boleh dipusingkan hanya sejauh 5 dan kembali ke 1. Jangan memaksa ia melepasi 5 atau 1, atau fungsi pelaras kelajuan mungkin tidak berfungsi lagi.

NOTA: Fungsi putaran tanpa beban lembut

Apabila kelajuan dail pelaras ditetapkan kepada "3" atau lebih tinggi, alat secara automatik mengurangkan kelajuan kepada tanpa beban untuk mengurangkan getaran dalam keadaan tanpa beban.

Sebaik sahaja operasi bermula dengan bit pada konkrit, pukulan seminit meningkat dan mencecah kepada nombor seperti yang ditunjukkan dalam jadual.

Apabila suhu rendah, alat ini mungkin tidak mempunyai fungsi ini walaupun dengan motor berputar.

Menyalakan lampu hadapan

► **Rajah5:** 1. Lampu

⚠️ PERHATIAN: Jangan lihat ke dalam cahaya atau lihat sumber cahaya secara langsung.

Tarik pemacu suis untuk menyalakan lampu. Lampu tetap menyala apabila pemacu suis ditarik. Lampu padam lebih kurang 10 saat selepas melepaskan pemacu suis.

NOTIS: Jika lampu mati selepas berkelip untuk beberapa saat, teknologi penderiaan maklum balas aktif tidak berfungsi dengan betul. Tanya Pusat Servis Makita tempatan anda untuk pembaikan.


NOTA: Gunakan kain kering untuk mengelap kotoran daripada lensa lampu. Berhati-hati agar tidak mencalar lensa lampu, atau ia mungkin mengurangkan pencahayaan.

Memilih mod tindakan

NOTIS: Jangan putar tombol penukar mod tindakan semasa alat sedang beroperasi. Alat akan rosak.


NOTIS: Untuk mengelakkan mekanisme mod penukar menjadi haus dengan cepat, pastikan tombol penukar mod tindakan sentiasa berada di salah satu dari tiga kedudukan mod tindakan.

Putaran dengan menukul

Untuk penggerudian pada konkrit, batu, dan lain-lain, putar tombol penukar mod tindakan ke simbol . Gunakan bit penggerudi hujung karbida.

► **Rajah6:** 1. Tombol penukar mod tindakan
2. Penunjuk

Menukul sahaja

Untuk operasi menarah, menskala atau meroboh, putar tombol penukar mod tindakan ke simbol . Gunakan mata bull, pahat sejuk, pahat penskalaan, dll.

► **Rajah7:** 1. Penunjuk 2. Tombol penukar mod tindakan

Pengehad tork

NOTIS: Sebaik sahaja pengehad tork bergerak, matikan alat dengan serta-merta. Ini akan membantu mengelakkan alat dari haus dengan cepat.

NOTIS: Bit gerudi seperti gergaji lubang yang cenderung tersepit atau tersangkut dalam lubang dengan mudah adalah tidak sesuai untuk alat ini. Ini kerana ia akan menyebabkan pengehad tork bergerak dengan terlalu kerap.

Pengehad tork akan bergerak apabila tahap tork tertentu dicapai. Motor akan dilepaskan dari aci keluaran. Apabila ini berlaku, bit gerudi akan berhenti berputing.

Fungsi elektronik

Alat ini dilengkapi dengan fungsi elektronik untuk memudahkan operasi.

Kawalan kelajuan malar

Fungsi kawalan kelajuan memberikan kelajuan putaran malar tanpa mengira keadaan beban.

Mula ringan

Fungsi bermula perlahan mengurangkan permulaan mengejut, dan menjadikan mesin bermula secara lancar.

Teknologi penderiaan Maklum Balas Aktif

Jika badan alat berputar secara tiba-tiba pada pecutan yang ditetapkan disebabkan oleh pengunci bit gerudi, dll., motor dihentikan secara paksa untuk mengurangkan beban pada pergelangan tangan.

NOTA: Fungsi teknologi penderiaan maklum balas aktif tidak berfungsi jika pecutan tidak mencecah yang ditetapkan.

NOTA: Fungsi teknologi penderiaan maklum balas aktif juga bergerak sebaik sahaja bit diayunkan pada pecutan yang ditetapkan dalam sebarang operasi.

Dalam kes ini, lepaskan pemicu suis dan kemudian tarik pemicu suis untuk memulakan semula alat.

Brek elektrik

Alat ini dilengkapi dengan brek elektrik. Jika alat ini secara konsisten gagal untuk berhenti dengan cepat selepas pemicu suis dilepaskan, servis alat di pusat servis Makita.

PEMASANGAN

PERHATIAN: Sentiasa pastikan alat dimatikan dan kartrij bateri dikeluarkan sebelum menjalankan sebarang kerja pada alat.

Pemegang sisi

► Rajah8

PERHATIAN: Gunakan pemegang sisi hanya apabila menyerpah, menskala atau meroboh. Jangan menggunakannya semasa menggerudi ke dalam konkrit, dll. Alat tidak boleh dipegang secara betul dengan sisi pemegang ini apabila menggerudi.

► Rajah9: 1. Pemegang sisi 2. Nat pengapit

Pemegang sisi boleh diayunkan dalam arah menegak dan dipasang pada sebarang kedudukan yang dikehendaki. Ia juga boleh dilaraskan pada lapan langkah ke belakang dan hadapan dalam arah melintang. Longgarkan nat pengapit untuk mengayunkan pemegang sisi ke kedudukan yang dikehendaki dan kemudian ketatkan nat pengapit dengan kukuh.

Genggaman sisi (pemegang tambahan)

PERHATIAN: Sentiasa gunakan genggaman sisi untuk memastikan operasi yang selamat.

PERHATIAN: Selepas memasang atau melaraskan genggaman sisi, pastikan genggaman sisi dipasang dengan teguh.

Genggaman sisi boleh diayunkan, membenarkan pengendalian alat dengan mudah pada sebarang kedudukan. Longgarkan genggaman sisi dengan memutarannya pada arah lawan jam, ayunkannya kepada kedudukan yang dikehendaki dan kemudian ketatkan mengikut arah jam.

► Rajah10: 1. Genggaman sisi

Memasang atau menanggalkan bit gerudi

Gris

Bersihkan hujung batang bit dan sapukan gris sebelum memasang bit.

Salut hujung batang bit dengan sedikit gris bit sebelum menggunakannya (lebih kurang 0.5 - 1 g). Pelinciran cuk ini memastikan tindakan yang lancar dan hayat perkhidmatan yang lebih lama.

► Rajah11: 1. Hujung batang 2. Gris

Masukkan bit gerudi ke dalam alat tersebut. Putar bit gerudi dan tolak ke dalam sehingga terpasang.


Selepas memasang bit gerudi, pastikan bit gerudi terpasang dengan kukuh dengan cuba menariknya.

► Rajah12: 1. Bit gerudi


Untuk menanggalkan bit gerudi, tarik penutup cuk ke bawah sepenuhnya dan tarik bit gerudi keluar.

► Rajah13: 1. Bit gerudi 2. Penutup cuk

Sudut pahat (semasa menarah, menskala atau meroboh)

Pahat boleh dipasang pada sudut yang dikehendaki. Untuk menukar sudut pahat, putarkan mod tindakan menukar tombol kepada simbol . Pusingkan pahat ke sudut yang dikehendaki.

- **Rajah14:** 1. Tombol penukar mod tindakan
2. Penunjuk

Putar tombol penukar mod tindakan ke simbol . Kemudian pastikan pahat dipasang selamat dengan memutarinya sedikit.

Tolok kedalaman

Tolok kedalaman dapat memudahkan penggerudian lubang pada kedalaman yang seragam. Tekan dan tahan butang kunci dan kemudian masukkan tolok kedalaman ke dalam lubang heksagon.

- **Rajah15:** 1. Tolok kedalaman 2. Butang kunci

Pastikan sisi bergigi tolok kedalaman mengadap tanda.

- **Rajah16:** 1. Penandaan 2. Sisi bergigi

Laraskan tolok kedalaman dengan menggerakkannya ke depan dan belakang sambil menekan butang kunci. Selepas penyelarasan, lepaskan butang kunci untuk mengunci tolok kedalaman.

NOTA: Pastikan tolok kedalaman tidak menyentuh badan utama alat apabila memasangnya.

Lampiran pengekstrak habuk

Aksesori pilihan

Memasang sambungan pengekstrak habuk

1. Longgarkan gengaman sisi pada alat.
 2. Pasang penutup habuk supaya pencakar penutup habuk muat dalam alur antara alat dan gengaman sisi.
- **Rajah17:** 1. Pelindung habuk 2. Pencakar 3. Alur

3. Ketatkan gengaman sisi dengan kuat.
4. Tetapkan belos atau sambungan penutup habuk yang sesuai untuk kerja anda. Apabila anda menggunakan belos, pasang sambungan ke penutupnya. Apabila anda menindan dua belos, sambungkannya dengan sambungan.

- **Rajah18:** 1. Sambungan pelindung habuk
2. Pelindung habuk 3. Sendi 4. Belos

Menyambung alat kepada pembersih vakum

1. Pasang sambungan pemegang ke alat dan kemudian pasang sambungan pemegang hos ke sambungan pemegang.
- **Rajah19:** 1. Sambungan pemegang 2. Pemegang hos

NOTA: Sambungan hos boleh dipasang pada kedua-dua belah alat.

AMARAN: Gunakan bahagian pelekap alat hanya untuk memasang sambungan pemegang.

Menggunakan bahagian pelekap untuk tujuan lain boleh menyebabkan kemalangan yang tidak dijangka.

2. Pasang hos pada pemegang hos.
- **Rajah20:** 1. Pemegang hos

NOTA: Gunakan sambungan 25 untuk menyambung hos dan pelindung habuk jika perlu.

Menggunakan tolok kedalaman untuk operasi menggerudi

Apabila anda menindan dua belos, pasang sambungan tolok kedalaman ke tolok kedalaman.

- **Rajah21:** 1. Sambungan tolok kedalaman

Penyambung pengekstrak habuk (untuk menukul sahaja)

Aksesori pilihan

1. Pasang pemegang hos (A/B).

Apabila pemegang sisi dipasang ke alat, longgarkan nat pengapit dan kemudian alihkan bolt heksagon. Pasang pemegang hos (A) di antara bolt heksagon dan nat pengapit dengan mengetatkan nat pengapit dengan kuat.

- **Rajah22:** 1. Bolt heksagon 2. Pemegang hos (A)
3. Nat pengapit

Apabila gengaman sisi dipasang ke alat, longgarkan gengaman sisi, pasang pemegang hos (B) ke aci, dan kemudian ketatkan gengaman sisi dengan kukuh.

- **Rajah23:** 1. Pemegang hos (B) 2. Aci
3. Gengaman sisi

2. Pasang sambungan pemegang ke alat, dan kemudian pasang sambungan pemegang hos (C) ke sambungan pemegang.

- **Rajah24:** 1. Sambungan pemegang 2. Pemegang hos (C)

NOTA: Sambungan hos boleh dipasang pada kedua-dua belah alat.

AMARAN: Gunakan bahagian pelekap alat hanya untuk memasang sambungan pemegang.

Menggunakan bahagian pelekap untuk tujuan lain boleh menyebabkan kemalangan yang tidak dijangka.

3. Pasang pelindung habuk dan hos ke alat, dan kemudian pasang sambungan pemegang hos ke sambungan pemegang.
- **Rajah25:** 1. Pelindung habuk 2. Hos 3. Pemegang hos (A/B) 4. Pemegang hos (C)

4. Sambungkan hos ke hos pembersih hampagas dengan sambungan hos ini.

NOTA: Jika hos tidak disertakan, pasang pelindung habuk pada hos pembersih atau pasang sambungan pada hos Makita ø28.

5. Laraskan jarak antara pelindung habuk dan hujung pahat atau mata bull. Jarak yang disyorkan ialah 30 mm hingga 100 mm.

► **Rajah26:** (1) 30 mm hingga 100 mm

OPERASI

⚠PERHATIAN: Sentiasa gunakan pemegang sisi / gengaman sisi (pemegang tambahan) dan pegang alat dengan kukuh pada kedua-dua pemegang sisi / gengaman sisi dan pemegang suis semasa operasi.

⚠PERHATIAN: Sentiasa pastikan bahan kerja adalah selamat sebelum operasi. Kegagalan mengukuhkan bahan kerja dengan betul boleh menyebabkan bahan kerja bergerak sehingga menyebabkan kecederaan.

⚠PERHATIAN: Jangan tarik alat keluar secara paksa walaupun bit tersekat. Hilang kawalan boleh menyebabkan kecederaan.


⚠PERHATIAN: Jangan biarkan alat tertusuk dalam bahan kerja. Jika tidak, alat mungkin bermula secara tidak sengaja dan menyebabkan kecederaan.

NOTA: Jika kartrij bateri berada dalam suhu rendah, kemampuan alat mungkin tidak dapat diperoleh sepenuhnya. Dalam hal ini, panaskan kartrij bateri dengan menggunakan alat tanpa muatan untuk seketika bagi mendapatkan sepenuhnya kemampuan alat.

► **Rajah27**

Operasi penggerudian tukul

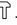
⚠PERHATIAN: Terdapat kekuatan putaran yang hebat dan pantas pada alat/bit gerudi semasa lubang dibolosi, apabila lubang tersumbat dengan serpihan dan debu, atau apabila terkena batang rod penguat yang terbenam dalam konkrit. **Sentiasa gunakan gengaman sisi (pemegang tambahan) dan pegang alat dengan kukuh pada kedua-dua gengaman sisi dan pemegang suis semasa operasi.** Kegagalan berbuat demikian boleh mengakibatkan hilang kawalan pada alat dan kecederaan yang teruk.

Tetapkan tombol penukar mod tindakan ke simbol . Posisikan bit gerudi di lokasi yang dikehendaki untuk lubang, kemudian tarik pemacu suis. Jangan paksa alat. Tekanan ringan memberi hasil yang terbaik. Pastikan alat berada pada kedudukan dan elakkan tergelincir dari lubang.

Jangan beri lebih tekanan apabila lubang tersumbat dengan serpihan atau zarah. Sebaliknya, jalankan alat tersebut pada keadaan melahu, kemudian keluarkan sebahagian bit gerudi dari lubang. Dengan mengulangi ini beberapa kali, lubang itu akan dibersihkan dan penggerudian biasa dapat diteruskan.

NOTA: Operasi eksentrik dalam putaran bit gerudi mungkin berlaku semasa mengendalikan alat tanpa beban. Alat akan memusatkan diri secara automatik semasa operasi. Ini tidak menjejaskan ketepatan penggerudian.

Menarah/Menskala/Meroboh

Tetapkan tombol penukar mod tindakan ke simbol . Pegang alat dengan kuat menggunakan kedua-dua belah tangan. Hidupkan alat dan beri sedikit tekanan pada alat supaya alat tidak akan melantun dan tidak terkawal.

Menekan alat dengan kuat tidak akan menambah kecekapan.

► **Rajah28**

Bebuli hembus keluar

Aksesori pilihan

Selepas menggerudi lubang, gunakan bebuli hembus keluar untuk membersihkan habuk keluar daripada lubang.

► **Rajah29**

FUNGSI PENGAKTIFAN TANPA WAYAR

Aksesori pilihan

Apa yang boleh anda lakukan dengan fungsi pengaktifan tanpa wayar

Fungsi pengaktifan tanpa wayar membolehkan operasi yang bersih dan selesai. Dengan menyambungkan pembersih hampagas yang disokong kepada alat ini, anda boleh menjalankan pembersih hampagas secara automatik bersama dengan operasi suis alat tersebut.

► **Rajah30**

Untuk menggunakan fungsi pengaktifan tanpa wayar, sediakan item berikut:

- Unit tanpa wayar (aksesori pilihan)
- Pembersih hampagas yang menyokong fungsi pengaktifan tanpa wayar

Gambaran keseluruhan tetapan fungsi pengaktifan tanpa wayar adalah seperti berikut. Merujuk kepada setiap bahagian untuk prosedur terperinci.

1. Memasang unit tanpa wayar
2. Pelarasan alat untuk pembersih hampagas
3. Memulakan fungsi pengaktifan tanpa wayar

Memasang unit tanpa wayar

Aksesori pilihan

PERHATIAN: Letakkan alat pada permukaan yang rata dan stabil apabila memasang unit tanpa wayar.

NOTIS: Bersihkan habuk dan kotoran pada alat sebelum memasang unit tanpa wayar. Habuk atau kotoran boleh menyebabkan kerosakan jika ia masuk ke dalam slot unit tanpa wayar.

NOTIS: Untuk mengelakkan kerosakan yang disebabkan oleh statik, sentuh bahan pelepas statik, seperti bahagian logam alat, sebelum mengambil unit tanpa wayar.

NOTIS: Apabila memasang unit tanpa wayar, pastikan unit tanpa wayar dimasukkan ke dalam arah yang betul dan penutup ditutup sepenuhnya.

1. Buka penutup pada alat seperti ditunjukkan dalam gambar.

► **Rajah31:** 1. Penutup

2. Masukkan unit tanpa wayar ke slot dan tutup penutup.

Apabila memasukkan unit tanpa wayar, selaraskan unjuran dengan bahagian tersembunyi pada slot.

► **Rajah32:** 1. Unit tanpa wayar 2. Unjuran 3. Penutup 4. Bahagian berlekuk

Apabila mengeluarkan unit tanpa wayar, buka penutup perlahan-lahan. Cangkuk pada bahagian belakang penutup akan mengangkat unit tanpa wayar semasa anda menarik penutup.

► **Rajah33:** 1. Unit tanpa wayar 2. Cangkuk 3. Penutup

Selepas mengeluarkan unit tanpa wayar, simpannya dalam kes yang dibekalkan atau bekas bebas daripada statik.

NOTIS: Sentiasa gunakan cangkuk di bahagian belakang tudung apabila mengeluarkan unit tanpa wayar. Jika cangkuk tidak menangkap unit tanpa wayar, tutup penutup sepenuhnya dan buka dengan perlahan sekali lagi.

Pelarasan alat untuk pembersih hampagas

NOTA: Pembersih hampagas Makita yang menyokong fungsi pengaktifan tanpa wayar diperlukan untuk pelarasan alat.

NOTA: Selesai memasang unit tanpa wayar kepada alat sebelum memulakan pelarasan alat.

NOTA: Semasa pelarasan alat, jangan tarik pemicu suis atau hidupan suis kuasa pada pembersih hampagas.

NOTA: Merujuk kepada manual arahan pembersih hampagas juga.

Jika anda ingin mengaktifkan pembersih hampagas bersama-sama dengan operasi suis alat, selesaikan pelarasan alat terlebih dahulu.

1. Pasang bateri kepada pembersih hampagas dan alat itu.

2. Tetapkan suis tunggu sedia pada pembersih hampagas kepada "AUTO".

► **Rajah34:** 1. Suis tunggu sedia

3. Tekan butang pengaktifan tanpa wayar pada pembersih hampagas selama 3 saat sehingga lampu pengaktifan tanpa wayar berkelip hijau. Kemudian tekan butang pengaktifan tanpa wayar pada alat dengan cara yang sama.

► **Rajah35:** 1. Butang pengaktifan tanpa wayar 2. Lampu pengaktifan tanpa wayar

Jika pembersih hampagas dan alat itu terhubung dengan jayanya, lampu pengaktifan wayarles akan menyala hijau selama 2 saat dan mula berkedip biru.

NOTA: Lampu pengaktifan tanpa wayar selesai berkelip dalam warna hijau selepas 20 saat berlalu. Tekan butang pengaktifan tanpa wayar pada alat semasa lampu pengaktifan tanpa wayar pada pembersih berkelip. Jika lampu pengaktifan tanpa wayar tidak berkelip hijau, tolak butang pengaktifan tanpa wayar sekejap dan tahannya lagi.

NOTA: Apabila melakukan dua atau lebih alat pelarasan untuk satu pembersih hampagas, selesaikan pelarasan alat satu demi satu.

Memulakan fungsi pengaktifan tanpa wayar

NOTA: Selesaikan pelarasan alat untuk pembersih hampagas sebelum pengaktifan tanpa wayar.

NOTA: Merujuk kepada manual arahan pembersih hampagas juga.

Selepas pelarasan alat kepada pembersih hampagas, pembersih hampagas akan berjalan secara automatik bersama dengan operasi suis alat tersebut.

1. Pasang unit tanpa wayar kepada alat tersebut.

2. Sambungkan hos pembersih hampagas dengan alat ini.

► **Rajah36**

3. Tetapkan suis tunggu sedia pada pembersih hampagas kepada "AUTO".

► **Rajah37:** 1. Suis tunggu sedia

4. Tolak butang pengaktifan tanpa wayar pada alat sekejap. Lampu pengaktifan tanpa wayar akan berkelip warna biru.

► **Rajah38:** 1. Butang pengaktifan tanpa wayar 2. Lampu pengaktifan tanpa wayar

5. Tarik alat pemicu suis. Periksa sama ada pembersih hampagas berjalan semasa pemicu suis sedang ditarik.

Untuk menghentikan pengaktifan tanpa wayar pembersih hampagas, tolak butang pengaktifan tanpa wayar pada alat.

NOTA: Lampu pengaktifan tanpa wayar pada alat akan berhenti berkelip warna biru apabila tiada operasi selama 2 jam. Dalam kes ini, tetapkan suis tunggu sedia pada pembersih hampagas kepada "AUTO" dan tolak butang pengaktifan tanpa wayar pada alat itu lagi.

NOTA: Pembersih hampagas mula/berhenti dengan lambat. Terdapat jarak masa apabila pembersih hampagas mengesan operasi suis alat.

NOTA: Jarak penghantaran unit tanpa wayar mungkin berbeza-beza bergantung kepada lokasi dan keadaan sekitarnya.

NOTA: Apabila dua atau lebih alat dilaraskan kepada satu pembersih hampagas, pembersih hampagas akan mula berjalan walaupun jika anda tidak menarik pemacu suis kerana pengguna lain menggunakan fungsi pengaktifan tanpa wayar.

Keterangan status lampu pengaktifan tanpa wayar

► Rajah39: 1. Lampu pengaktifan tanpa wayar

Lampu pengaktifan tanpa wayar menunjukkan status fungsi pengaktifan tanpa wayar. Merujuk kepada jadual di bawah untuk maksud status lampu.

Status	Lampu pengaktifan tanpa wayar				Keterangan
	Warna	<input type="checkbox"/> Hidup	<input type="checkbox"/> Berkelip	Tempoh	
Tunggu sedia	Biru	<input checked="" type="checkbox"/>		2 jam	Pengaktifan tanpa wayar pembersih hampagas tersedia. Lampu akan dimatikan secara automatik apabila tiada operasi dilakukan selama 2 jam.
		<input type="checkbox"/>		Apabila alat sedang berjalan.	Pengaktifan tanpa wayar pembersih hampagas tersedia dan alat sedang berjalan.
Pelarasan alat	Hijau	<input checked="" type="checkbox"/>		20 saat	Sedia untuk pelarasan alat. Menunggu pelarasan oleh pembersih hampagas.
		<input type="checkbox"/>		2 saat	Pelarasan alat telah selesai. Lampu pengaktifan tanpa wayar akan mula berkelip warna biru.
Membatalkan pelarasan alat	Merah	<input checked="" type="checkbox"/>		20 saat	Sedia untuk pembatalan pelarasan alat. Menunggu pembatalan oleh pembersih hampagas.
		<input type="checkbox"/>		2 saat	Pembatalan pelarasan alat telah selesai. Lampu pengaktifan tanpa wayar akan mula berkelip warna biru.
Lain-lain	Merah	<input type="checkbox"/>		3 saat	Kuasa dibekalkan kepada unit tanpa wayar dan fungsi pengaktifan tanpa wayar dimulakan.
	Mati	-		-	Pengaktifan tanpa wayar pembersih hampagas dihentikan.

Pembatalan pelarasan alat untuk pembersih hampagas

Lakukan prosedur berikut apabila membatalkan pelarasan alat untuk pembersih vakum.

1. Pasang bateri kepada pembersih hampagas dan alat itu.

2. Tetapkan suis tunggu sedia pada pembersih hampagas kepada "AUTO".

► **Rajah40:** 1. Suis tunggu sedia

3. Tekan butang pengaktifan tanpa wayar pada pembersih hampagas selama 6 saat. Lampu pengaktifan tanpa wayar berkelip hijau dan kemudian menjadi merah. Selepas itu, tekan butang pengaktifan tanpa wayar pada alat dengan cara yang sama.

► **Rajah41:** 1. Butang pengaktifan tanpa wayar
2. Lampu pengaktifan tanpa wayar

Jika pembatalan dilakukan dengan jayanya, lampu pengaktifan tanpa wayar akan menyala merah selama 2 saat dan mula berkelip biru.

NOTA: Lampu pengaktifan tanpa wayar selesai berkelip dalam warna merah selepas 20 saat berlalu. Tekan butang pengaktifan tanpa wayar pada alat semasa lampu pengaktifan tanpa wayar pada pembersih berkelip. Jika lampu pengaktifan tanpa wayar tidak berkelip merah, tolak butang pengaktifan tanpa wayar sekejap dan tahan lagi.

Penyelesaian masalah untuk fungsi pengaktifan tanpa wayar

Sebelum meminta pembaikan, jalankan pemeriksaan sendiri terlebih dahulu. Jika anda mendapati masalah tidak diterangkan dalam manual, jangan cuba untuk menanggalkan alat. Sebaliknya, tanya Pusat Servis Sah Makita, sentiasa gunakan alat ganti Makita untuk pembaikan.

Keadaan keabnormalan	Sebab yang mungkin (pincang tugas)	Remedi
Lampu pengaktifan tanpa wayar tidak menyala/berkelip.	Unit tanpa wayar tidak dipasang ke dalam alat. Unit tanpa wayar dipasang tidak betul ke dalam alat tersebut.	Memasang unit tanpa wayar dengan betul.
	Terminal unit tanpa wayar dan/atau slot adalah kotor.	Bersihkan habuk dan kotoran dengan lembut pada terminal unit tanpa wayar dan bersihkan slot.
	Butang pengaktifan tanpa wayar pada alat tidak ditolak.	Tolak butang pengaktifan tanpa wayar pada alat sekejap.
	Suis pada pembersih hampagas tidak ditetapkan kepada "AUTO".	Tetapkan suis tunggu sedia pada pembersih hampagas kepada "AUTO".
	Tiada bekalan kuasa	Berikan kuasa kepada alat dan pembersih hampagas.
Tidak dapat menyelesaikan pelarasan alat/pembatalan pelarasan alat dengan berjaya.	Unit tanpa wayar tidak dipasang ke dalam alat. Unit tanpa wayar dipasang tidak betul ke dalam alat tersebut.	Memasang unit tanpa wayar dengan betul.
	Terminal unit tanpa wayar dan/atau slot adalah kotor.	Bersihkan habuk dan kotoran dengan lembut pada terminal unit tanpa wayar dan bersihkan slot.
	Suis pada pembersih hampagas tidak ditetapkan kepada "AUTO".	Tetapkan suis tunggu sedia pada pembersih hampagas kepada "AUTO".
	Tiada bekalan kuasa	Berikan kuasa kepada alat dan pembersih hampagas.
	Operasi yang tidak betul	Tekan butang pengaktifan tanpa wayar sekejap dan lakukan prosedur pelarasan/pembatalan alat sekali lagi.
	Alat dan pembersih hampagas jauh dari satu sama lain (daripada jarak penghantaran).	Dapatkan alat dan pembersih hampagas rapat antara satu sama lain. Jarak penghantaran maksimum adalah kira-kira 10 m bagaimanapun mungkin berbeza-beza mengikut keadaan.
	Sebelum menamatkan pelarasan alat/pembatalan; -pemicu suis pada alat ditarik atau; -butang kuasa pada pembersih hampagas dihidupkan.	Tekan butang pengaktifan tanpa wayar sekejap dan lakukan prosedur pelarasan/pembatalan alat sekali lagi.
	Prosedur pelarasan alat untuk alat atau pembersih hampagas belum selesai.	Lakukan prosedur pendaftaran alat untuk kedua-dua alat dan pembersih hampagas pada masa yang sama.
Gangguan radio oleh peralatan lain yang menghasilkan gelombang radio intensiti tinggi.	Pastikan alat dan pembersih hampagas jauh dari peralatan seperti peranti Wi-Fi dan ketuhar gelombang mikro.	

Keadaan keabnormalan	Sebab yang mungkin (pincang tugas)	Remedi
Pembersih hampagas tidak berjalan bersama dengan operasi suis alat itu.	Unit tanpa wayar tidak dipasang ke dalam alat. Unit tanpa wayar dipasang tidak betul ke dalam alat tersebut.	Memasang unit tanpa wayar dengan betul.
	Terminal unit tanpa wayar dan/atau slot adalah kotor.	Bersihkan habuk dan kotoran dengan lembut pada terminal unit tanpa wayar dan bersihkan slot.
	Butang pengaktifan tanpa wayar pada alat tidak ditolak.	Tekan butang pengaktifan tanpa wayar sekejap dan pastikan lampu pengaktifan tanpa wayar berkelip biru.
	Suis pada pembersih hampagas tidak ditetapkan kepada "AUTO".	Tetapkan suis tunggu sedia pada pembersih hampagas kepada "AUTO".
	Lebih daripada 10 alat telah dilaraskan kepada pembersih vakum.	Lakukan pelarasan alat lagi. Jika lebih daripada 10 alat yang dilaraskan kepada pembersih hampagas, alat yang dilaraskan paling awal akan dibatalkan secara automatik.
	Pembersih hampagas memadam semua pelarasan alat.	Lakukan pelarasan alat lagi.
	Tiada bekalan kuasa	Berikan kuasa kepada alat dan pembersih hampagas.
	Alat dan pembersih hampagas jauh dari satu sama lain (daripada jarak penghantaran).	Dapatkan alat dan pembersih hampagas lebih dekat antara satu sama lain. Jarak penghantaran maksimum adalah kira-kira 10 m bagaimanapun mungkin berbeza-beza mengikut keadaan.
	Gangguan radio oleh peralatan lain yang menghasilkan gelombang radio intensiti tinggi.	Pastikan alat dan pembersih hampagas jauh dari peralatan seperti peranti Wi-Fi dan ketuhar gelombang mikro.
Pembersih hampagas berjalan sementara pemicu suis alat tidak ditarik.	Pengguna lain menggunakan pengaktifan tanpa wayar pembersih hampagas dengan alat mereka.	Matikan butang pengaktifan tanpa wayar pada alat lain atau batalkan pelarasan alat lain.

PENYELENGGARAAN

⚠️ PERHATIAN: Sentiasa pastikan alat dimatikan dan kartrij bateri dikeluarkan sebelum cuba menjalankan pemeriksaan atau penyelenggaraan.

NOTIS: Jangan gunakan petrol, benzin, pencair, alkohol atau bahan yang serupa. Ia boleh menyebabkan perubahan warna, bentuk atau keretakan.

Untuk mengekalkan KESELAMATAN dan KEBOLEHPERCAYAAN produk, pembaikan, apa-apa penyelenggaraan atau penyesuaian lain perlu dilakukan oleh Kilang atau Pusat Servis Makita yang Diiktiraf, sentiasa gunakan alat ganti Makita.

AKSESORI PILIHAN

⚠️ PERHATIAN: Aksesori-aksesori atau lampiran-lampiran ini adalah disyorkan untuk digunakan dengan alat Makita anda yang ditentukan dalam manual ini. Penggunaan mana-mana aksesori-aksesori atau lampiran-lampiran lain mungkin mengakibatkan risiko kecederaan kepada orang. Hanya gunakan aksesori atau lampiran untuk tujuan yang dinyatakan.

Jika anda memerlukan sebarang bantuan untuk maklumat lebih lanjut mengenai aksesori ini, tanya Pusat Perkhidmatan Makita tempatan anda.

- Bit gerudi hujung Karbida SDS-MAX
- Mata bull SDS-MAX
- Pahat sejuk SDS-MAX
- Pahat penskalaan SDS-MAX
- Penceduk lempung SDS-MAX
- Gris bit
- Pemegang sisi
- Genggaman sisi
- Tolok kedalaman
- Bebuli hembus keluar
- Lampiran pengestrak habuk
- Gogal keselamatan
- Unit tanpa wayar
- Bateri dan pengecas asli Makita
- Bekas pembawa plastik

NOTA: Beberapa item dalam senarai mungkin disertakan dalam pakej alat sebagai aksesori standard. Item mungkin berbeza mengikut negara.

THÔNG SỐ KỸ THUẬT

Kiểu máy:		HR005G
Công suất	Đầu mũi bịt các-bua	40 mm
	Đầu mũi lõi	105 mm
Tốc độ không tải (RPM)		250 - 500 min ⁻¹
Số nhát mỗi phút		1.450 - 2.900 min ⁻¹
Tổng chiều dài	với BL4025	484 mm
	với BL4040	500 mm
Điện áp định mức		D.C. 36 V - tối đa 40 V
Khối lượng tịnh		7,4 - 8,2 kg

- Do chương trình nghiên cứu và phát triển liên tục của chúng tôi nên các thông số kỹ thuật trong đây có thể thay đổi mà không cần thông báo trước.
- Các thông số kỹ thuật và hộp pin có thể thay đổi tùy theo từng quốc gia.
- Khối lượng có thể khác nhau tùy thuộc vào (các) phụ kiện, bao gồm cả hộp pin. Tổ hợp nhẹ nhất và nặng nhất, theo Quy trình EPTA 01/2014, được trình bày trong bảng.

Hộp pin và sạc pin có thể áp dụng

Hộp pin	BL4020 / BL4025 / BL4040* / BL4050F* * : Pin được khuyến dùng
Bộ sạc	DC40RA / DC40RB / DC40RC

- Một số hộp pin và sạc pin được nêu trong danh sách ở trên có thể không khả dụng tùy thuộc vào khu vực cư trú của bạn.

⚠ CẢNH BÁO: Chỉ sử dụng hộp pin và sạc pin được nêu trong danh sách ở trên. Việc sử dụng bất cứ hộp pin và sạc pin nào khác có thể gây ra thương tích và/hoặc hỏa hoạn.

Ký hiệu

Phần dưới đây cho biết các ký hiệu có thể được dùng cho thiết bị. Đảm bảo rằng bạn hiểu rõ ý nghĩa của các ký hiệu này trước khi sử dụng.



Đọc tài liệu hướng dẫn.



Chỉ dành cho các quốc gia EU
Không thải bỏ thiết bị điện hoặc bộ pin cùng với các chất thải sinh hoạt!
Để tuân thủ các Chỉ thị của Châu Âu về thiết bị điện và điện tử thải bỏ, và về pin và ắc quy và pin và ắc quy thải bỏ, và thi hành những chỉ thị này phù hợp với luật lệ quốc gia, các thiết bị điện tử và pin và (các) bộ pin không còn sử dụng được nữa phải được thu nhặt riêng và đưa trở lại một cơ sở tái chế tương thích với môi trường.

Mục đích sử dụng

Dụng cụ được dùng để máy khoan búa và máy khoan búa cầm tay hoạt động bằng động cơ điện vào gạch, bê tông và đá cũng như cho công tác khoan đục.

CẢNH BÁO AN TOÀN

Cảnh báo an toàn chung dành cho dụng cụ máy

⚠ CẢNH BÁO: Xin đọc tất cả các cảnh báo an toàn, hướng dẫn, minh họa và thông số kỹ thuật đi kèm với dụng cụ máy này. Việc không tuân theo các hướng dẫn được liệt kê dưới đây có thể dẫn đến điện giật, hỏa hoạn và/hoặc thương tích nghiêm trọng.

Lưu giữ tất cả cảnh báo và hướng dẫn để tham khảo sau này.

Thuật ngữ “dụng cụ máy” trong các cảnh báo đề cập đến dụng cụ máy (có dây) được vận hành bằng nguồn điện chính hoặc dụng cụ máy (không dây) được vận hành bằng pin của bạn.

An toàn tại nơi làm việc

1. **Giữ nơi làm việc sạch sẽ và có đủ ánh sáng.**
Nơi làm việc bừa bộn hoặc tối thường dễ gây ra tai nạn.

2. **Không vận hành dụng cụ máy trong môi trường cháy nổ, ví dụ như môi trường có sự hiện diện của các chất lỏng, khí hoặc bụi dễ cháy.** Các dụng cụ máy tạo tia lửa điện có thể làm bụi hoặc khí bốc cháy.
3. **Giữ trẻ em và người ngoài tránh xa nơi làm việc khi đang vận hành dụng cụ máy.** Sự xao lãng có thể khiến bạn mất khả năng kiểm soát.

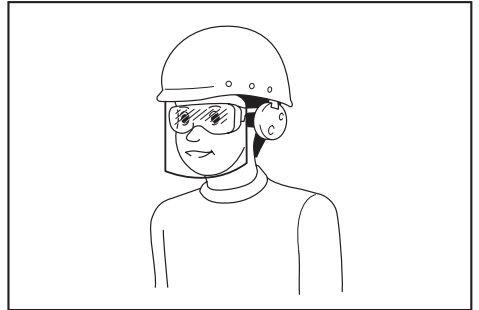
An toàn về Điện

1. **Phích cắm của dụng cụ máy phải khớp với ổ cắm. Không được sửa đổi phích cắm theo bất kỳ cách nào. Không sử dụng bất kỳ phích chuyển đổi nào với các dụng cụ máy được nối đất (tiếp đất).** Các phích cắm còn nguyên vẹn và ổ cắm phù hợp sẽ giảm nguy cơ điện giật.
2. **Tránh để cơ thể tiếp xúc với các bề mặt nóng đất hoặc tiếp đất như đường ống, bộ tản nhiệt, bếp ga và tủ lạnh.** Nguy cơ bị điện giật sẽ tăng lên nếu cơ thể bạn được nối đất tiếp đất.
3. **Không để dụng cụ máy tiếp xúc với mưa hoặc trong điều kiện ẩm ướt.** Nước lọt vào dụng cụ máy sẽ làm tăng nguy cơ điện giật.
4. **Không lạm dụng dây điện. Không được phép sử dụng dây để mang, kéo hoặc tháo phích cắm dụng cụ máy. Giữ dây tránh xa nguồn nhiệt, dầu, các mép sắc hoặc các bộ phận chuyển động.** Dây bị hỏng hoặc bị rối sẽ làm tăng nguy cơ điện giật.
5. **Khi vận hành dụng cụ máy ngoài trời, hãy sử dụng dây kéo dài phù hợp cho việc sử dụng ngoài trời.** Việc dùng dây phù hợp cho việc sử dụng ngoài trời sẽ giảm nguy cơ điện giật.
6. **Nếu bắt buộc phải vận hành dụng cụ máy ở nơi ẩm ướt, hãy sử dụng nguồn cấp điện được bảo vệ bằng thiết bị ngắt dòng điện rò (RCD).** Việc sử dụng RCD sẽ làm giảm nguy cơ điện giật.
7. **Các dụng cụ máy có thể tạo ra từ trường điện (EMF) có hại cho người dùng.** Tuy nhiên, người dùng máy trợ tim và những thiết bị y tế tương tự khác nên liên hệ với nhà sản xuất thiết bị và/hoặc bác sỹ để được tư vấn trước khi vận hành dụng cụ này.

An toàn Cá nhân

1. **Luôn tỉnh táo, quan sát những việc bạn đang làm và sử dụng những phán đoán theo kinh nghiệm khi vận hành dụng cụ máy. Không sử dụng dụng cụ máy khi bạn đang mệt mỏi hoặc chịu ảnh hưởng của ma túy, rượu hay thuốc.** Chỉ một khoảnh khắc không tập trung khi đang vận hành dụng cụ máy cũng có thể dẫn đến thương tích cá nhân nghiêm trọng.
2. **Sử dụng thiết bị bảo hộ cá nhân. Luôn đeo thiết bị bảo vệ mắt.** Các thiết bị bảo hộ như mặt nạ chống bụi, giày an toàn chống trượt, mũ bảo hộ hay thiết bị bảo vệ thính giác được sử dụng trong các điều kiện thích hợp sẽ giúp giảm thương tích cá nhân.
3. **Tránh vô tình khởi động dụng cụ máy. Đảm bảo công tắc ở vị trí off (tắt) trước khi nối nguồn điện và/hoặc bộ pin, cắm hoặc di chuyển dụng cụ máy.** Việc di chuyển dụng cụ máy khi đang đặt ngón tay ở vị trí công tắc hoặc cấp điện cho dụng cụ máy đang bật thường dễ gây ra tai nạn.

4. **Tháo tất cả các khóa hoặc cờ lê điều chỉnh trước khi bật dụng cụ máy.** Việc cờ lê hoặc khóa vẫn còn gắn vào bộ phận quay của dụng cụ máy có thể dẫn đến thương tích cá nhân.
5. **Không vớ quá cao. Luôn giữ thăng bằng tốt và có chỗ để chân phù hợp.** Điều này cho phép điều khiển dụng cụ máy tốt hơn trong những tình huống bất ngờ.
6. **Ăn mặc phù hợp. Không mặc quần áo rộng hay đeo đồ trang sức. Giữ tóc và quần áo tránh xa các bộ phận chuyển động.** Quần áo rộng, đồ trang sức hay tóc dài có thể mắc vào các bộ phận chuyển động.
7. **Nếu các thiết bị được cung cấp để kết nối các thiết bị thu gom và hút bụi, hãy đảm bảo chúng được kết nối và sử dụng hợp lý.** Việc sử dụng thiết bị thu gom bụi có thể làm giảm những mối nguy hiểm liên quan đến bụi.
8. **Không vì quen thuộc do thường xuyên sử dụng các dụng cụ mà cho phép bạn trở nên tự mãn và bỏ qua các nguyên tắc an toàn dụng cụ.** Một hành động bất cẩn có thể gây ra thương tích nghiêm trọng trong một phần của một giây.
9. **Luôn luôn mang kính bảo hộ để bảo vệ mắt khỏi bị thương khi đang sử dụng các dụng cụ máy. Kính bảo hộ phải tuân thủ ANSI Z87.1 ở Mỹ, EN 166 ở Châu Âu, hoặc AS/NZS 1336 ở Úc/New Zealand. Tại Úc/New Zealand, theo luật pháp, bạn cũng phải mang mặt nạ che mặt để bảo vệ mặt.**



Trách nhiệm của chủ lao động là bắt buộc người vận hành dụng cụ và những người khác trong khu vực làm việc cạnh đó phải sử dụng các thiết bị bảo hộ an toàn thích hợp.

Sử dụng và bảo quản dụng cụ máy

1. **Không dùng lực đối với dụng cụ máy. Sử dụng đúng dụng cụ máy cho công việc của bạn.** Sử dụng đúng dụng cụ máy sẽ giúp tiết kiệm công việc tốt hơn và an toàn hơn theo giá trị định mức được thiết kế của dụng cụ máy đó.
2. **Không sử dụng dụng cụ máy nếu công tắc không bật và tắt được dụng cụ máy đó.** Mọi dụng cụ máy không thể điều khiển được bằng công tắc đều rất nguy hiểm và phải được sửa chữa.

3. **Rút phích cắm ra khỏi nguồn điện và/hoặc tháo kết nối bộ pin khỏi dụng cụ máy, nếu có thể tháo rời trước khi thực hiện bất kỳ công việc điều chỉnh, thay đổi phụ tùng hay cất giữ dụng cụ máy nào.** Những biện pháp an toàn phòng ngừa này sẽ giảm nguy cơ vô tình khởi động dụng cụ máy.
4. **Cất giữ các dụng cụ máy không sử dụng ngoài tầm với của trẻ em và không cho bất kỳ người nào không có hiểu biết về dụng cụ máy hoặc các hướng dẫn này vận hành dụng cụ máy.** Dụng cụ máy sẽ rất nguy hiểm nếu được sử dụng bởi những người dùng chưa qua đào tạo.
5. **Bảo dưỡng dụng cụ máy và các phụ kiện.** Kiểm tra tình trạng lịch trực hoặc bộ kẹp của các bộ phận chuyển động, hiện tượng nứt vỡ của các bộ phận và mọi tình trạng khác mà có thể ảnh hưởng đến hoạt động của dụng cụ máy. Nếu có hỏng hóc, hãy sửa chữa dụng cụ máy trước khi sử dụng. Nhiều tai nạn xảy ra là do không bảo quản tốt dụng cụ máy.
6. **Luôn giữ cho dụng cụ cất được sắc bén và sạch sẽ.** Những dụng cụ cất được bảo quản tốt có mép cắt sắc sẽ ít bị kẹt hơn và dễ điều khiển hơn.
7. **Sử dụng dụng cụ máy, phụ tùng và đầu dụng cụ cắt, v.v... theo các hướng dẫn này, có tính đến điều kiện làm việc và công việc được thực hiện.** Việc sử dụng dụng cụ máy cho các công việc khác với công việc dự định có thể gây nguy hiểm.
8. **Giữ tay cầm và bề mặt tay cầm khô, sạch, không dính dầu và mỡ.** Tay cầm trơn trượt và bề mặt tay cầm không cho phép xử lý an toàn và kiểm soát dụng cụ trong các tình huống bất ngờ.
9. **Khi sử dụng dụng cụ, không được đi giày tay lao động bằng vải, có thể bị vướng.** Việc giày tay lao động bằng vải vướng vào các bộ phận chuyển động có thể gây ra thương tích cá nhân.

- Sử dụng và bảo quản dụng cụ dùng pin**
1. **Chỉ sạc pin lại với bộ sạc do nhà sản xuất quy định.** Bộ sạc phù hợp với một loại bộ pin này có thể gây ra nguy cơ hỏa hoạn khi được dùng cho một bộ pin khác.
 2. **Chỉ sử dụng các dụng cụ máy với các bộ pin được quy định cụ thể.** Việc sử dụng bất cứ bộ pin nào khác có thể gây ra thương tích và hỏa hoạn.
 3. **Khi không sử dụng bộ pin, hãy giữ tránh xa các đồ vật khác bằng kim loại, chẳng hạn như kẹp giấy, tiền xu, chìa khóa, đinh, ốc vít hoặc các vật nhỏ bằng kim loại mà có thể làm nối tắt các đầu cực pin.** Các đầu cực pin bị đoản mạch có thể gây cháy hoặc hỏa hoạn.
 4. **Trong điều kiện sử dụng quá mức, pin có thể bị chảy nước; hãy tránh tiếp xúc.** Nếu vô tình tiếp xúc với pin bị chảy nước, hãy rửa sạch bằng nước. Nếu dung dịch từ pin tiếp xúc với mắt, cần đi khám bác sĩ thêm. Dung dịch chảy ra từ pin có thể gây rát da hoặc bỏng.
 5. **Không sử dụng bộ pin hoặc dụng cụ bị hư hỏng hoặc đã bị sửa đổi.** Pin đã bị hư hỏng hoặc đã bị sửa đổi có thể hành động theo cách không thể đoán trước dẫn đến cháy, nổ hoặc nguy cơ chấn thương.

6. **Không để bộ pin hoặc dụng cụ tiếp xúc với lửa hoặc nhiệt độ quá cao.** Tiếp xúc với lửa hoặc nhiệt độ trên 130 °C có thể gây ra cháy nổ.
7. **Làm theo tất cả các hướng dẫn sạc pin và không được sạc bộ pin hoặc dụng cụ vượt giới hạn nhiệt độ quy định trong hướng dẫn.** Sạc pin không đúng hoặc ở nhiệt độ vượt giới hạn nhiệt độ có thể gây hư hỏng cho pin và làm tăng nguy cơ cháy.

Bảo dưỡng

1. **Đề nghị viên sửa chữa đủ trình độ bảo dưỡng dụng cụ máy của bạn và chỉ sử dụng các bộ phận thay thế đồng nhất.** Việc này sẽ đảm bảo duy trì được độ an toàn của dụng cụ máy.
2. **Không bao giờ sử dụng bộ pin đã hỏng.** Dịch vụ bảo hành bộ pin chỉ nên thực hiện bởi nhà sản xuất hoặc các nhà cung cấp dịch vụ được ủy quyền.
3. **Tuân theo hướng dẫn dành cho việc bôi trơn và thay phụ tùng.**

CẢNH BÁO AN TOÀN MÁY KHOAN ĐỘNG LỰC CHẠY PIN

1. **Đeo thiết bị bảo vệ tai.** Tiếng ồn có thể gây giảm thính lực.
2. **Sử dụng tay cầm (các tay cầm) phụ nếu được cung cấp kèm theo dụng cụ.** Việc mất khả năng kiểm soát có thể dẫn đến thương tích cá nhân.
3. **Cầm dụng cụ máy bằng bề mặt tay cầm cách điện khi thực hiện một thao tác trong đó phụ kiện cắt có thể tiếp xúc với dây điện ngầm.** Phụ kiện cắt tiếp xúc với dây dẫn "có điện" có thể khiến các bộ phận kim loại bị hở của dụng cụ máy "có điện" và làm cho người vận hành bị điện giật.
4. **Đội mũ cứng (mũ bảo hộ), mang kính bảo hộ và/hoặc mặt nạ bảo vệ mặt.** Mắt thường hoặc kính râm **KHÔNG** phải là loại kính an toàn. Chúng tôi hết sức khuyến cáo bạn nên mang khẩu trang chống bụi và đeo găng tay có đệm dày.
5. **Đảm bảo rằng đầu mũi được gắn chặt đúng vị trí trước khi vận hành.**
6. **Trong điều kiện vận hành bình thường, dụng cụ được thiết kế tạo ra rung động.** Các ốc vít có thể dễ dàng bị lỏng dần ra, gây ra hỏng hóc hoặc tai nạn. Kiểm tra kỹ độ chặt của các ốc vít trước khi vận hành.
7. **Khi thời tiết lạnh hoặc không sử dụng dụng cụ trong thời gian dài, hãy làm nóng dụng cụ một lúc bằng cách vận hành không tải.** Điều này sẽ giúp dầu bôi trơn giãn nở ra. Nếu không được làm nóng đúng cách, thao tác đóng búa sẽ gặp khó khăn.
8. **Luôn chắc chắn rằng bạn có chỗ tựa chân vững chắc.** Đảm bảo rằng không có ai ở bên dưới khi sử dụng dụng cụ ở những vị trí trên cao.
9. **Cầm chắc dụng cụ bằng cả hai tay.**
10. **Giữ tay tránh xa các bộ phận chuyển động.**
11. **Không để mặc dụng cụ hoạt động.** Chỉ vận hành dụng cụ khi cầm trên tay.

12. Không được chĩa dụng cụ vào bất cứ ai ở gần khi vận hành dụng cụ. Đầu mũi có thể văng ra ngoài và gây thương tích nghiêm trọng cho ai đó.
13. Không chạm vào đầu mũi, các bộ phận gần đầu mũi, hoặc phôi gia công ngay sau khi vận hành; chúng có thể rất nóng và gây bỏng da.
14. Một số vật liệu có thể chứa hóa chất độc hại. Phải cẩn trọng tránh hít phải bụi và để tiếp xúc với da. Tuân theo dữ liệu an toàn của nhà cung cấp vật liệu.
15. Luôn đảm bảo rằng đã tắt dụng cụ và tháo hộp pin và đầu mũi phải tháo ra trước khi đưa dụng cụ cho người khác.
16. Trước khi vận hành, đảm bảo rằng không có vật bị phủ đất nào như ống điện, ống nước hoặc ống gas trong khu vực làm việc. Nếu không, đầu mũi khoan/mũi đục có thể chạm vào chúng, dẫn đến điện giật, rò rỉ điện hoặc rò rỉ gas.
17. Không vận hành dụng cụ ở chế độ không tải nếu không cần thiết.
7. Không đốt hộp pin ngay cả khi hộp pin đã bị hư hại nặng hoặc hư hỏng hoàn toàn. Hộp pin có thể nổ khi tiếp xúc với lửa.
8. Không đóng đinh, cắt, nghiền nát, ném, làm rơi hộp pin hoặc va vật cứng vào hộp pin. Làm như thế có thể dẫn đến hỏa hoạn, quá nhiệt hoặc nổ.
9. Không sử dụng pin đã hỏng.
10. Pin nén lithium-ion là đối tượng có yêu cầu bắt buộc theo Luật Hàng hoá Nguy hiểm. Đối với vận tải thương mại, ví dụ như vận tải do bên thứ ba, đại lý giao nhận, thì yêu cầu đặc biệt về đóng gói và nhãn ghi phải được giám sát. Để chuẩn bị cho mặt hàng cần vận chuyển, cần phải tham khảo ý kiến chuyên gia về vật liệu nguy hiểm. Nếu được, vui lòng tuân thủ các quy định quốc gia chi tiết hơn. Buộc hoặc niêm phong các tiếp điểm mở và đóng gói pin theo cách đó để nó không thể di chuyển trong bao bì.
11. Khi vứt bỏ hộp pin, hãy tháo chúng khỏi dụng cụ và thái bỏ ở nơi an toàn. Phải tuân thủ theo các quy định của địa phương liên quan đến việc thái bỏ pin.

LƯU GIỮ CÁC HƯỚNG DẪN NÀY.

⚠CẢNH BÁO: KHÔNG vì đã thoải mái hay quen thuộc với sản phẩm (có được do sử dụng nhiều lần) mà không tuân thủ nghiêm ngặt các quy định về an toàn dành cho sản phẩm này. VIỆC DÙNG SAI hoặc không tuân theo các quy định về an toàn được nêu trong tài liệu hướng dẫn này có thể dẫn đến thương tích cá nhân nghiêm trọng.

Hướng dẫn quan trọng về an toàn dành cho hộp pin

1. Trước khi sử dụng hộp pin, hãy đọc kỹ tất cả các hướng dẫn và dấu hiệu cảnh báo trên (1) bộ sạc pin, (2) pin và (3) sản phẩm sử dụng pin.
2. Không tháo rời hoặc làm thay đổi hộp pin. Việc này có thể dẫn đến hỏa hoạn, quá nhiệt hoặc nổ.
3. Nếu thời gian vận hành ngắn hơn quá mức, hãy ngừng vận hành ngay lập tức. Điều này có thể dẫn đến rùi ro quá nhiệt, có thể gây bỏng và thậm chí là nổ.
4. Nếu chạm điện phân rơi vào mắt, hãy rửa sạch bằng nước sạch và đến cơ sở y tế ngay lập tức. Chất này có thể khiến bạn giảm thị lực.
5. Không để hộp pin ở tình trạng đoản mạch:
 - (1) Không chạm vào cực pin bằng vật liệu dẫn điện.
 - (2) Tránh cất giữ hộp pin trong hộp có các vật kim loại khác như đinh, tiền xu, v.v...
 - (3) Không được để hộp pin tiếp xúc với nước hoặc mưa.

Đoản mạch pin có thể gây ra dòng điện lớn, quá nhiệt, có thể gây bỏng và thậm chí là hỏa hoạn.
6. Không cất giữ cũng như sử dụng dụng cụ và sạc pin ở nơi nhiệt độ có thể lên tới hoặc vượt quá 50 °C (122 °F).
7. Không đốt hộp pin ngay cả khi hộp pin đã bị hư hại nặng hoặc hư hỏng hoàn toàn. Hộp pin có thể nổ khi tiếp xúc với lửa.
8. Không đóng đinh, cắt, nghiền nát, ném, làm rơi hộp pin hoặc va vật cứng vào hộp pin. Làm như thế có thể dẫn đến hỏa hoạn, quá nhiệt hoặc nổ.
9. Không sử dụng pin đã hỏng.
10. Pin nén lithium-ion là đối tượng có yêu cầu bắt buộc theo Luật Hàng hoá Nguy hiểm. Đối với vận tải thương mại, ví dụ như vận tải do bên thứ ba, đại lý giao nhận, thì yêu cầu đặc biệt về đóng gói và nhãn ghi phải được giám sát. Để chuẩn bị cho mặt hàng cần vận chuyển, cần phải tham khảo ý kiến chuyên gia về vật liệu nguy hiểm. Nếu được, vui lòng tuân thủ các quy định quốc gia chi tiết hơn. Buộc hoặc niêm phong các tiếp điểm mở và đóng gói pin theo cách đó để nó không thể di chuyển trong bao bì.
11. Khi vứt bỏ hộp pin, hãy tháo chúng khỏi dụng cụ và thái bỏ ở nơi an toàn. Phải tuân thủ theo các quy định của địa phương liên quan đến việc thái bỏ pin.
12. Chỉ sử dụng pin cho các sản phẩm Makita chỉ định. Lắp pin vào sản phẩm không thích hợp có thể gây ra hỏa hoạn, quá nhiệt, nổ, hoặc rò chất điện phân.
13. Nếu dụng cụ không được sử dụng trong một thời gian dài, cần phải tháo pin ra khỏi dụng cụ.
14. Trong và sau khi sử dụng, hộp pin có thể bị nóng, có thể gây bỏng hoặc bỏng ở nhiệt độ thấp. Chú ý xử lý hộp pin nóng.
15. Không chạm vào điện cực của dụng cụ ngay sau khi sử dụng vì điện cực đủ nóng để gây bỏng.
16. Không để vụn bào, bụi hoặc đất bám vào các điện cực, lỗ và rãnh của hộp pin. Việc này có thể dẫn đến hiệu suất kém hoặc hỏng hóc dụng cụ hay hộp pin.
17. Trừ khi dụng cụ hỗ trợ sử dụng gần đường dây điện cao thế, không sử dụng hộp pin gần đường dây điện cao thế. Việc này có thể dẫn đến trực tiếp hoặc hỏng hóc dụng cụ hay hộp pin.
18. Giữ pin tránh xa trẻ em.

LƯU GIỮ CÁC HƯỚNG DẪN NÀY.

⚠THẬN TRỌNG: Chỉ sử dụng pin Makita chính hãng. Việc sử dụng pin không chính hãng Makita, hoặc pin đã được sửa đổi, có thể dẫn đến nổ pin gây ra cháy, thương tích và thiệt hại cá nhân. Nó cũng sẽ làm mất hiệu lực bảo hành của Makita dành cho dụng cụ của Makita và bộ sạc.

Mẹo duy trì tuổi thọ tối đa cho pin

1. Sạc hộp pin trước khi pin bị xả điện hoàn toàn. Luôn dừng việc vận hành dụng cụ và sạc pin khi bạn nhận thấy công suất dụng cụ bị giảm.

- Không được phép sạc lại một hộp pin đã được sạc đầy. Sạc quá mức sẽ làm giảm tuổi thọ của pin.
- Sạc pin ở nhiệt độ phòng 10°C - 40°C. Để cho hộp pin nóng nguội lại dần trước khi sạc pin.
- Khi không sử dụng hộp pin, hãy tháo hộp pin ra khỏi dụng cụ hoặc bộ sạc.
- Sạc pin sáu tháng một lần nếu bạn không sử dụng dụng cụ trong một thời gian dài (hơn sáu tháng).

Hướng dẫn quan trọng về an toàn dành cho thiết bị thu và phát không dây

- Không tháo rời hoặc làm thay đổi thiết bị thu và phát không dây.
- Giữ thiết bị thu và phát không dây tránh xa trẻ em. Nếu vô tình nuốt phải, hãy đến cơ sở y tế ngay lập tức.
- Chỉ sử dụng thiết bị thu và phát không dây với các dụng cụ Makita.
- Không để thiết bị thu và phát không dây tiếp xúc với mưa hoặc điều kiện ẩm ướt.
- Không sử dụng thiết bị thu và phát không dây ở những nơi nhiệt độ vượt quá 50°C.
- Không vận hành thiết bị thu và phát không dây ở những nơi gần các dụng cụ y tế, chẳng hạn như máy tạo nhịp tim.
- Không vận hành thiết bị thu và phát không dây ở những nơi gần các thiết bị tự động. Nếu vận hành, các thiết bị tự động có thể phát sinh sự cố hoặc bị lỗi.
- Không để thiết bị thu và phát không dây ở những nơi chịu nhiệt độ cao hoặc nơi có thể tạo ra tĩnh điện hoặc nhiễu điện.
- Thiết bị thu và phát không dây có thể tạo ra từ trường điện (EMF) nhưng không có hại cho người dùng.
- Thiết bị thu và phát không dây là một dụng cụ chính xác. Hãy cẩn trọng không làm rơi hoặc va đập thiết bị thu và phát không dây.
- Tránh chạm vào điện cực của thiết bị thu và phát không dây bằng tay để trần hoặc vật liệu kim loại.
- Luôn tháo pin ra khỏi sản phẩm khi lắp đặt thiết bị thu và phát không dây vào sản phẩm.
- Khi mở nắp khe, hãy tránh nơi có bụi và nước có thể lọt vào khe. Luôn giữ sạch đầu vào của khe.
- Luôn lắp thiết bị thu và phát không dây vào đúng hướng.
- Không nhấn nút kích hoạt không dây trên thiết bị thu và phát không dây quá chặt và/hoặc nhấn nút bằng một vật có cạnh mép sắc.
- Luôn đóng nắp khe khi vận hành.
- Không tháo thiết bị thu và phát không dây khỏi khe trong khi dụng cụ đang được cấp điện. Làm như vậy có thể khiến thiết bị thu và phát không dây bị hỏng.
- Không gỡ bỏ nhãn trên thiết bị thu và phát không dây.

- Không được dán bất kỳ nhãn nào lên thiết bị thu và phát không dây.
- Không để thiết bị thu và phát không dây ở những nơi có thể tạo ra tĩnh điện hoặc nhiễu điện.
- Không được để thiết bị thu và phát không dây ở những nơi tiếp xúc với nguồn nhiệt cao, như trong ô tô hoặc trời nắng.
- Không để thiết bị thu và phát không dây ở những nơi có bụi hoặc bột hoặc ở những nơi tạo ra khí ăn mòn.
- Thay đổi nhiệt độ đột ngột có thể làm thiết bị thu và phát không dây bị tụ hơi nước. Không sử dụng thiết bị thu và phát không dây cho đến khi nước ngưng tụ khô hoàn toàn.
- Khi vệ sinh thiết bị thu và phát không dây, hãy lau nhẹ nhàng bằng vải mềm khô. Không sử dụng et xăng, dung môi, dầu mỡ dẫn hoặc tương tự.
- Khi bảo quản thiết bị thu và phát không dây, hãy cất giữ thiết bị trong hộp đựng được giao kèm hoặc hộp chống tĩnh điện.
- Không được lắp bất kỳ thiết bị nào ngoài thiết bị thu và phát không dây Makita vào khe trên dụng cụ.
- Không sử dụng dụng cụ có nắp khe bị hư hỏng. Nước, bụi bắn lọt vào khe có thể gây ra sự cố.
- Không kéo và/hoặc vận nắp khe nếu không cần thiết. Lắp lại nắp nếu nó rơi ra khỏi dụng cụ.
- Thay thế nắp khe nếu bị mất hoặc hư hỏng.

LƯU GIỮ CÁC HƯỚNG DẪN NÀY.

MÔ TẢ CHỨC NĂNG

⚠ THẬN TRỌNG: Luôn đảm bảo rằng đã tắt dụng cụ và tháo hộp pin ra trước khi thực hiện việc điều chỉnh hoặc kiểm tra chức năng trên dụng cụ.

Lắp hoặc tháo hộp pin

⚠ THẬN TRỌNG: Luôn tắt dụng cụ trước khi lắp hoặc tháo hộp pin.

⚠ THẬN TRỌNG: Giữ dụng cụ và hộp pin thật chắc khi lắp hoặc tháo hộp pin. Không giữ dụng cụ và hộp pin thật chắc có thể làm trượt chúng khỏi tay và làm hư hỏng dụng cụ và hộp pin hoặc gây thương tích cá nhân.

► **Hình1:** 1. Chỉ báo màu đỏ 2. Nút 3. Hộp pin

Để tháo hộp pin, vừa trượt pin ra khỏi dụng cụ vừa đẩy trượt nút ở phía trước hộp pin.

Để lắp hộp pin, đặt thẳng hàng phần chốt nhô ra của hộp pin vào phần rãnh nằm trên vỏ và trượt hộp pin vào vị trí. Đưa hộp pin vào cho đến khi chốt khóa vào đúng vị trí với một tiếng "cách" nhẹ. Nếu bạn vẫn còn nhìn thấy chỉ báo màu đỏ ở mặt trên của nút, điều đó có nghĩa là chốt vẫn chưa được khóa hoàn toàn.

⚠ THẬN TRỌNG: Luôn lắp hộp pin khớp hoàn toàn vào vị trí cho đến khi không thể nhìn thấy chỉ báo màu đỏ. Nếu không, hộp pin có thể vô tình rơi ra khỏi dụng cụ, gây thương tích cho bạn hoặc người khác xung quanh.

⚠ THẬN TRỌNG: Không được dùng sức lắp hộp pin. Nếu hộp pin không nhẹ nhàng trượt vào vị trí, có nghĩa là pin vẫn chưa được lắp đúng.

Chỉ báo dung lượng pin còn lại

Ấn nút check (kiểm tra) trên hộp pin để chỉ báo dung lượng pin còn lại. Các đèn chỉ báo bật sáng lên trong vài giây.

► **Hình2:** 1. Các đèn chỉ báo 2. Nút Check (kiểm tra)

Các đèn chỉ báo			Dung lượng còn lại
Bật sáng	Tắt	Nhấp nháy	
■ ■ ■ ■	□ □ □ □	▬	75% đến 100%
■ ■ ■ □	□ □ □ □	▬	50% đến 75%
■ ■ □ □	□ □ □ □	▬	25% đến 50%
■ □ □ □	□ □ □ □	▬	0% đến 25%
▬ □ □ □	□ □ □ □	▬	Sạc pin.
■ ■ □ □	□ □ □ □	▬	Pin có thể đã bị hỏng.
□ □ □ □	■ ■ ■ ■	▬	

LƯU Ý: Tùy thuộc vào các điều kiện sử dụng và nhiệt độ xung quanh, việc chỉ báo có thể khác biệt một chút so với dung lượng thực sự.

LƯU Ý: Đèn chỉ báo (phía xa bên trái) đầu tiên sẽ nhấp nháy khi hệ thống bảo vệ pin hoạt động.

Hệ thống bảo vệ dụng cụ / pin

Dụng cụ này được trang bị hệ thống bảo vệ dụng cụ / pin. Hệ thống này sẽ tự động ngắt nguồn điện đến động cơ để kéo dài tuổi thọ dụng cụ và pin. Dụng cụ sẽ tự động dừng vận hành khi dụng cụ hoặc pin ở một trong những trường hợp sau đây:

Bảo vệ quá tải

Khi vận hành dụng cụ hoặc pin trong điều kiện làm máy tiêu tốn dòng cao bất thường, dụng cụ sẽ tự động dừng lại mà không có bất cứ dấu hiệu nào. Trong trường hợp này, hãy tắt dụng cụ và ngừng ứng dụng làm cho dụng cụ trở nên quá tải. Sau đó bật dụng cụ lên để khởi động lại.

Bảo vệ quá nhiệt

Khi bị quá nhiệt, dụng cụ hoặc pin sẽ tự động dừng và đèn sẽ nhấp nháy. Trong trường hợp này, hãy để dụng cụ và pin nguội trước khi bật dụng cụ lại.

Bảo vệ xả điện quá mức

Khi dung lượng pin không đủ, thì dụng cụ sẽ tự động dừng. Trong trường hợp này, hãy tháo pin khỏi dụng cụ và sạc pin lại.

Hoạt động công tắc

⚠ CẢNH BÁO: Trước khi lắp hộp pin vào dụng cụ, luôn luôn kiểm tra xem cần khởi động công tắc có hoạt động bình thường hay không và trả về vị trí “OFF” (TẮT) khi nhả ra.

⚠ THẬN TRỌNG: Khi không vận hành dụng cụ, ấn xuống nút khóa cần khởi động từ bên (A) để khóa cần khởi động công tắc ở vị trí TẮT.

► **Hình3:** 1. Cần khởi động công tắc 2. Nút khóa cần khởi động

Để ngăn ngừa vô tình kéo cần khởi động công tắc, dụng cụ được trang bị một nút khóa cần khởi động. Để khởi động dụng cụ, nhấn nút khóa cần khởi động từ bên mặt A và kéo cần khởi động công tắc. Nhả cần khởi động công tắc ra để dừng. Sau khi sử dụng, nhấn vào nút khóa cần khởi động từ bên mặt B.

Thay đổi tốc độ

Số vòng xoay và số nhát mỗi phút có thể được điều chỉnh bằng cách xoay đĩa điều chỉnh. Đĩa xoay được đánh dấu từ 1 (tốc độ thấp nhất) đến 5 (tốc độ cao nhất).

► **Hình4:** 1. Đĩa điều chỉnh

Tham khảo bảng dưới đây về mối liên quan giữa các số trên đĩa điều chỉnh và số vòng quay và số nhát mỗi phút.

Số	Số vòng quay mỗi phút	Số nhát mỗi phút
5	500	2900
4	470	2700
3	380	2150
2	290	1650
1	250	1450

⚠ THẬN TRỌNG: Không xoay đĩa điều chỉnh quá nhanh khi dụng cụ đang chạy. Không làm như vậy có thể mất điều khiển dụng cụ và gây thương tích.

CHÚ Ý: Nếu dụng cụ được vận hành liên tục ở tốc độ chậm trong thời gian dài, động cơ sẽ bị quá tải, gây trục trặc cho dụng cụ.

CHÚ Ý: Đĩa điều chỉnh tốc độ có thể được xoay tới 5 và trở về 1. Không cố gắng vận quá 5 hoặc 1, nếu không chức năng điều chỉnh tốc độ có thể không hoạt động nữa.

LƯU Ý: Chức năng quay êm khi không tải

Khi đĩa điều chỉnh tốc độ được đặt từ “3” trở lên, dụng cụ sẽ tự động giảm tốc độ về mức không tải để giảm rung khi chạy không tải.

Khi bắt đầu thao tác với đầu mũi tựa lên bê-tông, số nhất đồng mỗi phút sẽ tăng lên và đạt đến con số được thể hiện trong bảng.

Khi nhiệt độ thấp, dụng cụ có thể không thực hiện được chức năng này ngay cả khi motor đang quay.

Bật sáng đèn phía trước

► Hình5: 1. Đèn

⚠ THẬN TRỌNG: Đừng nhìn thẳng trực tiếp vào đèn hoặc nguồn sáng.

Kéo cần khởi động công tắc để bật sáng đèn. Đèn sẽ vẫn sáng trong lúc cần khởi động công tắc đang được kéo. Đèn sẽ tắt khoảng 10 giây sau khi nhà cần khởi động công tắc.

CHÚ Ý: Nếu đèn tắt sau khi nhấp nháy vài giây, công nghệ cảm ứng Active Feedback sẽ không hoạt động đúng cách. Liên hệ Trung Tâm Dịch vụ Makita ở địa phương bạn ở để yêu cầu sửa chữa.

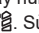
LƯU Ý: Dùng vải khô để lau bụi bẩn trên kính đèn. Cần thận không được làm xước kính đèn, nếu không đèn có thể bị giảm độ sáng.

Chọn chế độ hoạt động

CHÚ Ý: Không xoay núm chuyển chế độ hoạt động khi dụng cụ đang chạy. Dụng cụ sẽ bị hư hỏng.

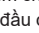
CHÚ Ý: Để tránh mài mòn nhanh đối với cơ cấu chuyển chế độ, đảm bảo rằng núm chuyển chế độ hoạt động phải luôn được đặt đúng một trong ba vị trí chế độ hoạt động.

Khoan đóng búa

Đề khoan vào bê tông, hồ vữa, v.v..., hãy xoay núm chuyển chế độ hoạt động sang biểu tượng . Sử dụng mũi khoan có bịt cacbua.

► Hình6: 1. Núm thay đổi chế độ hoạt động 2. Kim chỉ

Chỉ đóng búa

Để đục phá, đánh vảy hoặc phá hủy, xoay núm chuyển chế độ thao tác đến biểu tượng . Sử dụng đầu đục, mũi đục đánh vảy, v.v...

► Hình7: 1. Kim chỉ 2. Núm thay đổi chế độ hoạt động

Bộ phận giới hạn lực vặn xiết

CHÚ Ý: Khi bộ phận giới hạn lực vặn xiết khởi hoạt, hãy tắt dụng cụ ngay càng sớm khi có thể. Điều này sẽ giúp ngăn ngừa dụng cụ bị mài mòn quá sớm.

CHÚ Ý: Các đầu mũi khoan chẳng hạn như cưa lỗ có khuynh hướng dễ dàng bị kẹt hoặc kẹt vào trong lỗ sẽ không phù hợp với dụng cụ này. Điều này là do chúng sẽ làm cho bộ phận giới hạn lực vặn xiết khởi hoạt quá thường xuyên.

Bộ phận giới hạn lực vặn xiết sẽ khởi hoạt khi đạt tới một mức lực vặn xiết nhất định. Động cơ sẽ được ngắt khởi trực dẫn động. Khi điều này xảy ra, đầu mũi khoan sẽ ngừng xoay.

Chức năng điện tử

Dụng cụ này được trang bị các chức năng điện tử để dễ dàng vận hành.

Điều khiển tốc độ không đổi

Chức năng điều khiển tốc độ cung cấp tốc độ quay không đổi bất kể điều kiện tải.

Khởi động mềm

Chức năng khởi động mềm sẽ giảm tối thiểu việc rung giật lúc khởi động và làm máy khởi động nhẹ nhàng.

Công nghệ cảm ứng Active Feedback

Nếu thân dụng cụ bị quay bất thành linh ở tốc độ chỉ định do bị khóa mũi khoan, v.v..., động cơ bắt buộc dừng lại để giảm gánh nặng trên cơ tạo.

LƯU Ý: Chức năng công nghệ cảm ứng Active Feedback không hoạt động nếu gia tốc không đạt đến mức đã định.

LƯU Ý: Chức năng công nghệ cảm ứng Active Feedback cũng hoạt động ngay khi đầu mũi chỉ xoay ở gia tốc được chỉ định trong bất kỳ hoạt động nào.

Trong trường hợp này, hãy nhà cần khởi động công tắc và sau đó kéo cần khởi động công tắc để khởi động lại dụng cụ.

Phanh điện tử

Dụng cụ này được trang bị một phanh điện tử. Nếu dụng cụ không thể dừng nhanh sau khi đã nhà cần khởi động công tắc, hãy đem dụng cụ đến trung tâm dịch vụ của Makita.

LẮP RÁP

⚠ THẬN TRỌNG: Luôn đảm bảo rằng đã tắt dụng cụ và tháo hộp pin ra trước khi thực hiện bất cứ thao tác nào trên dụng cụ.

Tay nắm hồng

► **Hình8**

⚠ THẬN TRỌNG: Sử dụng tay nắm hồng chỉ khi đập phá, đánh vảy hoặc phá dỡ. Không sử dụng nó khi khoan vào bê-tông, hồ vữa, v.v... Dụng cụ không được cầm giữ đúng cách với tay nắm hồng này khi khoan.

► **Hình9:** 1. Tay nắm hồng 2. Đai ốc xiết

Tay nắm hồng có thể xoay theo hướng thẳng đứng và giữ chắc ở bất cứ vị trí nào bạn muốn. Nó cũng có thể được điều chỉnh tám bước qua lại theo hướng ngang. Tháo đai ốc xiết để xoay tay nắm hồng sang vị trí mong muốn, và sau đó vặn chặt các đai ốc xiết lại.

Tay cầm hồng (tay cầm phụ)

⚠ THẬN TRỌNG: Luôn sử dụng tay cầm hồng để đảm bảo vận hành an toàn.

⚠ THẬN TRỌNG: Sau khi lắp hoặc điều chỉnh tay cầm bên hông, đảm bảo rằng tay cầm bên hông được giữ chặt.

Tay cầm hồng có thể xoay, cho phép dễ dàng cầm giữ dụng cụ ở bất cứ vị trí nào. Vặn lỏng tay cầm hồng bằng cách xoay nó ngược chiều kim đồng hồ, lật đến vị trí mong muốn và vặn chặt lại bằng cách xoay theo chiều kim đồng hồ.

► **Hình10:** 1. Tay cầm hồng

Lắp hoặc tháo gỡ mũi khoan

Dầu mỡ

Làm sạch phần đuôi của đầu mũi và tra dầu bôi trơn trước khi lắp đầu mũi.

Phủ lên phía trước phần đuôi của đầu mũi một lượng nhỏ mỡ bôi trơn (khoảng 0,5 - 1 g). Chất bôi trơn này nhằm đảm bảo vận hành trôi chảy và kéo dài tuổi thọ dụng cụ của bạn.

► **Hình11:** 1. Phần đuôi 2. Dầu mỡ


Lắp đầu mũi khoan vào dụng cụ. Xoay đầu mũi khoan và đẩy vào cho đến khi nó vào khớp. Sau khi lắp đầu mũi khoan, phải luôn đảm bảo rằng đầu mũi khoan được giữ chặt tại chỗ bằng cách thử kéo nó ra.

► **Hình12:** 1. Mũi khoan


Để tháo đầu mũi khoan, kéo nắp ngàm xuống hết mức và kéo đầu mũi khoan ra.

► **Hình13:** 1. Mũi khoan 2. Nắp ngàm

Góc nghiêng đầu mũi đục (khi đập phá, đánh vảy hoặc phá dỡ)

Đầu mũi đục có thể được giữ ở một góc nghiêng mong muốn. Để thay góc nghiêng đầu mũi đục, xoay núm thay đổi chế độ thao tác đến biểu tượng . Xoay đầu mũi đục về góc nghiêng mong muốn.

► **Hình14:** 1. Núm thay đổi chế độ hoạt động 2. Kim chỉ

Xoay núm thay đổi chế độ thao tác đến biểu tượng . Sau đó đảm bảo rằng mũi đục đã được giữ chắc chắn đúng vị trí bằng cách xoay nhẹ.

Thanh đo sâu

Thanh đo sâu rất thuận tiện để khoan các lỗ có chiều sâu đồng nhất.

Bấm và giữ nút khóa, rồi sau đó lắp thanh đo sâu vào lỗ lục giác.

► **Hình15:** 1. Thanh đo sâu 2. Nút khóa

Đảm bảo rằng phía bên có răng của thanh đo sâu phải đối diện với vạch dấu.

► **Hình16:** 1. Vạch dấu 2. Bên có răng

Điều chỉnh thanh đo sâu bằng cách kéo tới lui trong lúc vẫn bấm nút khóa. Sau khi điều chỉnh xong, nhả nút khóa để khóa thanh đo sâu lại.

LƯU Ý: Đảm bảo rằng thanh đo sâu không chạm vào bộ phận chính của dụng cụ khi gắn.

Phụ tùng bộ hút bụi

Phụ kiện tùy chọn

Lắp phụ tùng bộ hút bụi

1. Nới lỏng tay cầm hồng trên dụng cụ.

2. Lắp tấm chắn bụi sao cho các mấu của tấm chắn bụi vừa khít vào các rãnh giữa dụng cụ và tay cầm hồng.

► **Hình17:** 1. Tấm chắn bụi 2. Mấu 3. Rãnh

3. Siết thật chặt tay cầm hồng.

4. Đặt ống xếp hoặc thanh nối dài tấm chắn bụi phù hợp với công việc của bạn. Khi bạn sử dụng ống xếp, hãy gắn khớp nối vào đầu của nó. Khi bạn xếp chồng hai ống xếp, nối chúng lại bằng khớp nối.

► **Hình18:** 1. Nối dài tấm chắn bụi 2. Tấm chắn bụi 3. Bộ nối 4. Ống xếp

Nối dụng cụ vào máy hút bụi hoạt động bằng động cơ điện

1. Gắn khớp nối khung đỡ vào dụng cụ, sau đó gắn giá đỡ ống nối vào khớp nối khung đỡ.

► **Hình19:** 1. Khớp nối khung đỡ 2. Giá đỡ ống nối

LƯU Ý: Mỗi nối ống có thể được gắn vào hai bên của dụng cụ.

⚠ CẢNH BÁO: Chỉ sử dụng phần lắp của dụng cụ để gắn giữ khớp nối khung đỡ.

Sử dụng phần lắp cho bất kỳ mục đích nào khác có thể gây ra tai nạn bất ngờ.

2. Gắn ống vào giá đỡ.
▶ **Hình20:** 1. Giá đỡ ống nổi

LƯU Ý: Sử dụng khớp nối 25 để nối ống dẫn và tấm chắn bụi nếu cần.

Sử dụng thanh đo sâu để vận hành khoan

Khi bạn xếp chồng hai ống xếp, hãy gắn phần nối dài thanh đo sâu vào thanh đo sâu.

- ▶ **Hình21:** 1. Nối dài thanh đo sâu

Phụ tùng bộ hút bụi (chỉ dành cho đóng búa)

Phụ kiện tùy chọn

1. Lắp giá đỡ ống nổi (A/B).

Khi tay nắm hông được lắp vào dụng cụ, nối lồng đai ốc xiết, và sau đó tháo bu lông lục giác. Lắp giá đỡ ống nổi (A) ở giữa bu lông lục giác và đai ốc xiết bằng cách vận chặt đai ốc xiết.

- ▶ **Hình22:** 1. Bu-lông lục giác 2. Giá đỡ ống nổi (A) 3. Đai ốc xiết

Khi tay cầm hông được lắp vào dụng cụ, nối lồng tay cầm hông, gắn giá đỡ ống nổi (B) vào trục, và sau đó vận chặt tay cầm hông.

- ▶ **Hình23:** 1. Giá đỡ ống nổi (B) 2. Trục 3. Tay cầm hông

2. Gắn khớp nối khung đỡ vào dụng cụ, sau đó gắn giá đỡ ống nổi (C) vào khớp nối khung đỡ.

- ▶ **Hình24:** 1. Khớp nối khung đỡ 2. Giá đỡ ống nổi (C)

LƯU Ý: Mỗi nối ống có thể được gắn vào hai bên của dụng cụ.

⚠ CẢNH BÁO: Chỉ sử dụng phần lắp của dụng cụ để gắn giữ khớp nối khung đỡ.

Sử dụng phần lắp cho bất kỳ mục đích nào khác có thể gây ra tai nạn bất ngờ.

3. Gắn tấm chắn bụi và ống nổi vào dụng cụ, và sau đó bắt chặt ống nổi vào giá đỡ ống nổi.

- ▶ **Hình25:** 1. Tấm chắn bụi 2. Ống hút 3. Giá đỡ ống nổi (A/B) 4. Giá đỡ ống nổi (C)

4. Nối ống dẫn vào ống dẫn của máy hút bụi hoạt động bằng động cơ điện vào mối nối ống.

LƯU Ý: Nếu không có ống nối đi kèm, gắn tấm chắn bụi vào Ống dẫn nối của máy hút bụi hoặc gắn nó vào mối nối ống ø28 của Makita.

5. Điều chỉnh khoảng cách giữa tấm chắn bụi và mũi đục hoặc đầu đục. Khoảng cách khuyến nghị là 30 mm đến 100 mm.

- ▶ **Hình26:** (1) 30 mm đến 100 mm

VẬN HÀNH

⚠ THẬN TRỌNG: Luôn sử dụng tay cầm hông/ tay nắm hông (tay cầm phụ) và giữ chặt dụng cụ bằng cả hai tay cầm hông/tay nắm hông rồi đổi tay cầm trong lúc vận hành.

⚠ THẬN TRỌNG: Luôn đảm bảo rằng phổi gia công được cố định trước khi vận hành. Siết chặt phổi gia công không đúng có thể khiến phổi gia công di chuyển dẫn đến thương tích.

⚠ THẬN TRỌNG: Không được kéo dụng cụ ra bằng lực ngay cả khi đầu mũi bị kẹt. Việc mất khả năng kiểm soát có thể dẫn đến thương tích cá nhân.


⚠ THẬN TRỌNG: Không để dụng cụ cắm vào phổi gia công. Nếu không, dụng cụ có thể khởi động ngoài ý muốn và gây thương tích.

LƯU Ý: Nếu hộp pin ở nhiệt độ thấp, có thể không đạt được công suất mong muốn của dụng cụ. Trong trường hợp này, làm nóng hộp pin bằng cách sử dụng dụng cụ không tải trong một lúc cho đến khi đạt được công suất mong muốn của dụng cụ.

- ▶ **Hình27**

Thao tác khoan búa


⚠ THẬN TRỌNG: Sẽ có lực xoắn rất lớn và bất ngờ trên dụng cụ/đầu mũi khoan khi lỗ khoan được xuyên thủng, vào lúc đó, lỗ khoan bắt đầu bị kẹt bởi các mảnh vụn và hạt hoặc khi dụng cụ vào các thép gia cường có trong bê-tông. Luôn sử dụng tay cầm hông (tay cầm phụ) và giữ chặt dụng cụ bằng cả hai tay cầm hông và đổi tay cầm trong lúc vận hành. Không làm như vậy có thể mất điều khiển dụng cụ và gây thương tích nghiêm trọng.

Cài núm chuyển chế độ đến biểu tượng . Định vị đầu mũi khoan vào vị trí mong muốn cho lỗ khoan, sau đó kéo cần khởi động công tắc. Không dùng lực đối với dụng cụ. Ấn nhẹ sẽ mang lại kết quả tốt nhất. Giữ cho dụng cụ ở đúng vị trí và ngăn không bị trượt khỏi lỗ khoan.

Không được ấn mạnh khi lỗ khoan bắt đầu bị nghẽn bởi các mảnh vụn và các hạt. Thay vào đó, hãy chạy dụng cụ ở chế độ chờ, sau đó tháo riêng đầu mũi khoan ra khỏi lỗ. Bằng cách lặp lại thao tác này vài lần, lỗ khoan sẽ được sạch sẽ và có thể tiếp tục khoan bình thường.

LƯU Ý: Có thể bị lệch tâm khi xoay đầu mũi khoan trong lúc vận hành dụng cụ không tải. Dụng cụ sẽ tự động chỉnh đúng tâm trong lúc vận hành. Điều này không ảnh hưởng đến độ chính xác khi khoan.

Đục/Đập/Phá vủ

Cài núm chuyển chế độ đến biểu tượng . Cầm chắc dụng cụ bằng cả hai tay. Bật dụng cụ lên và nắm giữ dụng cụ với lực vừa đủ sao cho dụng cụ không bị rung bật, không kiểm soát được.

Việc ấn mạnh lên dụng cụ sẽ không làm tăng hiệu quả sử dụng.

- ▶ **Hình28**

Bóng thổi khí

Phụ kiện tùy chọn

Sau khi khoan lỗ, sử dụng bóng thổi khí để vệ sinh bụi bẩn ra khỏi lỗ.

► **Hình29**

CHỨC NĂNG KÍCH HOẠT KHÔNG DÂY

Phụ kiện tùy chọn

Những điều bạn có thể thực hiện với chức năng kích hoạt không dây

Chức năng kích hoạt không dây cho phép vận hành sạch và thuận lợi. Bằng cách nối máy hút bụi được hỗ trợ vào dụng cụ, bạn có thể chạy máy hút bụi tự động cùng với vận hành chuyển đổi của dụng cụ.

► **Hình30**

Để sử dụng chức năng kích hoạt không dây, hãy chuẩn bị các mục sau đây:

- Một thiết bị thu và phát không dây (phụ kiện tùy chọn)
- Một máy hút bụi hỗ trợ chức năng kích hoạt không dây

Cài đặt chức năng kích hoạt không dây được trình bày khái quát như sau đây. Vui lòng tham khảo từng phần để biết về các quy trình chi tiết.

1. Lắp thiết bị thu và phát không dây
2. Đăng ký dụng cụ cho máy hút bụi
3. Khởi động chức năng kích hoạt không dây

Lắp thiết bị thu và phát không dây

Phụ kiện tùy chọn

⚠ THẬN TRỌNG: Đặt dụng cụ lên trên bề mặt phẳng và cố định khi lắp thiết bị thu và phát không dây.

CHÚ Ý: Làm sạch bụi bẩn trên dụng cụ trước khi lắp đặt thiết bị thu và phát không dây. Bụi bẩn có thể gây ra sự cố nếu lọt vào khe của thiết bị thu và phát không dây.

CHÚ Ý: Để ngăn sự cố do tĩnh điện, hãy chạm vào vật liệu xa tĩnh, chẳng hạn như phần kim loại của dụng cụ, trước khi cắm thiết bị thu và phát không dây.

CHÚ Ý: Khi lắp thiết bị thu và phát không dây, luôn đảm bảo rằng thiết bị không dây được lắp vào đúng hướng và nắp được đóng lại hoàn toàn.

1. Mở nắp trên dụng cụ như minh họa trong hình.

► **Hình31:** 1. Nắp

2. Lắp thiết bị thu và phát không dây vào khe và sau đó đóng nắp lại.

Khi lắp thiết bị thu và phát không dây, căn chỉnh các góc nhỏ ra thẳng với các phần lõm trên khe.

► **Hình32:** 1. Thiết bị thu và phát không dây 2. Góc nhỏ ra 3. Nắp 4. Phần lõm

Khi tháo thiết bị thu và phát không dây, mở nắp từ từ. Các móc treo vào phía sau nắp sẽ nâng thiết bị thu và phát không dây khi bạn kéo nắp lên.

► **Hình33:** 1. Thiết bị thu và phát không dây 2. Móc treo 3. Nắp

Sau khi tháo thiết bị thu và phát không dây, hãy cất giữ trong hộp đựng máy được giao kèm hoặc hộp chống tĩnh điện.

CHÚ Ý: Luôn sử dụng các móc ở phía sau nắp khi tháo thiết bị thu và phát không dây. Nếu các móc không móc vào thiết bị thu và phát không dây, đóng nắp hoàn toàn và mở lại từ từ.

Đăng ký dụng cụ cho máy hút bụi

LƯU Ý: Việc đăng ký dụng cụ yêu cầu có máy hút bụi Makita hỗ trợ chức năng kích hoạt không dây.

LƯU Ý: Hãy hoàn tất quá trình lắp thiết bị thu và phát không dây vào dụng cụ trước khi bắt đầu đăng ký dụng cụ.

LƯU Ý: Trong khi đăng ký dụng cụ, không được kéo cần khởi động công tắc hoặc bật công tắc nguồn trên máy hút bụi.

LƯU Ý: Tham khảo cả tài liệu hướng dẫn về máy hút bụi.

Nếu bạn muốn kích hoạt máy hút bụi cùng với vận hành chuyển đổi dụng cụ, hãy hoàn tất đăng ký dụng cụ trước.

1. Lắp pin vào máy hút bụi và dụng cụ.
2. Gạt công tắc chờ trên máy hút bụi về "AUTO".

► **Hình34:** 1. Công tắc chờ

3. Nhấn nút kích hoạt không dây trên máy hút bụi trong 3 giây cho đến khi đèn kích hoạt không dây nhấp nháy màu xanh lá. Và sau đó nhấn nút kích hoạt không dây trên dụng cụ theo cách tương tự.

► **Hình35:** 1. Nút kích hoạt không dây 2. Đèn kích hoạt không dây

Nếu máy hút bụi và dụng cụ được kết nối thành công, đèn kích hoạt không dây sẽ sáng màu xanh lá trong 2 giây và bắt đầu nhấp nháy màu xanh dương.

LƯU Ý: Đèn kích hoạt không dây sẽ ngừng nhấp nháy màu xanh lá sau khoảng thời gian 20 giây. Nhấn nút kích hoạt không dây trên dụng cụ khi đèn kích hoạt không dây trên máy hút bụi đang nhấp nháy. Nếu đèn kích hoạt không dây không nhấp nháy màu xanh lá, bấm nút kích hoạt không dây một cách dứt khoát và để nút xuống lần nữa.

LƯU Ý: Khi thực hiện hai hay nhiều đăng ký dụng cụ cho một máy hút bụi, hãy hoàn tất từng đăng ký dụng cụ một.

Khởi động chức năng kích hoạt không dây

LƯU Ý: Hoàn tất đăng ký dụng cụ cho máy hút bụi trước khi kích hoạt không dây.

LƯU Ý: Tham khảo cài đặt liệu hướng dẫn về máy hút bụi.

Sau khi đăng ký dụng cụ cho máy hút bụi, máy hút bụi sẽ chạy tự động cùng với vận hành chuyển đổi của dụng cụ.

- Lắp thiết bị thu và phát không dây vào dụng cụ.
- Nối ống dẫn của máy hút bụi vào dụng cụ.
▶ **Hình36**
- Gạt công tắc chờ trên máy hút bụi về "AUTO".
▶ **Hình37:** 1. Công tắc chờ
- Đẩy dứt khoát nút kích hoạt không dây trên dụng cụ. Đèn kích hoạt không dây sẽ nhấp nháy màu xanh dương.
▶ **Hình38:** 1. Nút kích hoạt không dây 2. Đèn kích hoạt không dây

5. Kéo cần khởi động công tắc của dụng cụ. Kiểm tra xem máy hút bụi có chạy trong khi cần khởi động công tắc được kéo hay không.

Để dừng việc kích hoạt không dây của máy hút bụi, nhấn nút kích hoạt không dây trên dụng cụ.

LƯU Ý: Đèn kích hoạt không dây trên dụng cụ sẽ dừng nhấp nháy màu xanh dương khi không vận hành 2 giờ. Trong trường hợp này, cài đặt công tắc chờ trên máy hút bụi về "AUTO" và nhấn nút kích hoạt không dây trên dụng cụ lần nữa.

LƯU Ý: Máy hút bụi khởi động/dừng lại với khoảng trì hoãn. Có một khoảng thời gian chậm lại khi máy hút bụi phát hiện việc vận hành chuyển đổi của dụng cụ.

LƯU Ý: Khoảng cách truyền của thiết bị thu và phát không dây có thể khác nhau tùy thuộc vào vị trí và hoàn cảnh xung quanh.

LƯU Ý: Khi hai hoặc nhiều dụng cụ được đăng ký cho một máy hút bụi, máy hút bụi có thể bắt đầu chạy ngay cả khi bạn không kéo cần khởi động công tắc vì một người dùng khác đang sử dụng chức năng kích hoạt không dây.

Mô tả tình trạng đèn kích hoạt không dây

▶ **Hình39:** 1. Đèn kích hoạt không dây

Đèn kích hoạt không dây cho biết tình trạng của chức năng kích hoạt không dây. Tham khảo bảng bên dưới để biết ý nghĩa của tình trạng đèn.

Tình trạng	Đèn kích hoạt không dây			Khoảng thời gian	Mô tả
	Màu	<input type="checkbox"/> Bật	<input type="checkbox"/> Nhấp nháy		
Chờ	Màu xanh dương	<input checked="" type="checkbox"/>		2 giờ	Kích hoạt không dây của máy hút bụi là khả dụng. Đèn sẽ tự động tắt khi không vận hành 2 giờ.
		<input type="checkbox"/>		Khi dụng cụ đang chạy.	Kích hoạt không dây của máy hút bụi là khả dụng và dụng cụ đang chạy.
Đăng ký dụng cụ	Màu xanh lá	<input checked="" type="checkbox"/>		20 giây	Sẵn sàng để đăng ký dụng cụ. Chờ máy hút bụi đăng ký.
		<input type="checkbox"/>		2 giây	Đăng ký dụng cụ đã hoàn tất. Đèn kích hoạt không dây sẽ bắt đầu nhấp nháy màu xanh dương.
Hủy bỏ đăng ký dụng cụ	Màu đỏ	<input checked="" type="checkbox"/>		20 giây	Sẵn sàng để hủy bỏ đăng ký dụng cụ. Chờ máy hút bụi hủy bỏ.
		<input type="checkbox"/>		2 giây	Hủy bỏ đăng ký dụng cụ đã hoàn tất. Đèn kích hoạt không dây sẽ bắt đầu nhấp nháy màu xanh dương.
Khác	Màu đỏ	<input type="checkbox"/>		3 giây	Cấp nguồn cho thiết bị thu và phát không dây và chức năng kích hoạt không dây khởi động.
	Tắt	-	-	-	Kích hoạt không dây của máy hút bụi bị ngừng lại.

Hủy bỏ đăng ký dụng cụ cho máy hút bụi

Thực hiện theo quy trình sau đây khi hủy bỏ đăng ký dụng cụ cho máy hút bụi.

- Lắp pin vào máy hút bụi và dụng cụ.
- Gạt công tắc chờ trên máy hút bụi về "AUTO".
▶ **Hình40:** 1. Công tắc chờ
- Nhấn nút kích hoạt không dây trên máy hút bụi trong 6 giây. Đèn kích hoạt không dây nhấp nháy màu xanh lá và sau đó bật màu đỏ. Sau đó, nhấn nút kích hoạt không dây trên dụng cụ theo cách tương tự.
▶ **Hình41:** 1. Nút kích hoạt không dây 2. Đèn kích hoạt không dây

Nếu thực hiện hủy bỏ thành công, đèn kích hoạt không dây sẽ sáng màu đỏ trong 2 giây và bắt đầu nhấp nháy màu xanh dương.

LƯU Ý: Đèn kích hoạt không dây sẽ ngừng nhấp nháy màu đỏ sau khoảng thời gian 20 giây. Nhấn nút kích hoạt không dây trên dụng cụ khi đèn kích hoạt không dây trên máy hút bụi đang nhấp nháy. Nếu đèn kích hoạt không dây không nhấp nháy màu đỏ, bấm nút kích hoạt không dây một cách dứt khoát và để nút xuống lần nữa.

Xử lý sự cố cho chức năng kích hoạt không dây

Trước khi yêu cầu sửa chữa, đầu tiên hãy tự tiến hành kiểm tra của riêng bạn. Nếu bạn phát hiện vấn đề nào đó không được giải thích trong sách hướng dẫn sử dụng này, đừng cố tháo dỡ dụng cụ. Thay vào đó, hãy nhờ Trung tâm dịch vụ Makita được ủy quyền, luôn sử dụng bộ phận thay thế của Makita để sửa chữa.

Tình trạng bất thường	Nguyên nhân tiềm tàng (sự cố hồng học)	Biện pháp khắc phục
Đèn kích hoạt không dây không sáng/nhấp nháy.	Thiết bị thu và phát không dây không được lắp vào dụng cụ.	Lắp thiết bị thu và phát không dây đúng cách.
	Thiết bị thu và phát không dây được lắp không đúng cách vào dụng cụ.	
	Điện cực của thiết bị thu và phát không dây và/hoặc khe bị bẩn.	Nhẹ nhàng lau sạch bụi bẩn trên điện cực của thiết bị thu và phát không dây và làm sạch khe.
	Nút kích hoạt không dây trên dụng cụ không được nhấn.	Đẩy dứt khoát nút kích hoạt không dây trên dụng cụ.
	Công tắc chờ trên máy hút bụi không được gạt về "AUTO".	Gạt công tắc chờ trên máy hút bụi về "AUTO".
	Không có nguồn cấp điện	Cấp điện cho dụng cụ và máy hút bụi.
Không thể hoàn tất đăng ký dụng cụ / hủy bỏ đăng ký dụng cụ thành công.	Thiết bị thu và phát không dây không được lắp vào dụng cụ.	Lắp thiết bị thu và phát không dây đúng cách.
	Thiết bị thu và phát không dây được lắp không đúng cách vào dụng cụ.	
	Điện cực của thiết bị thu và phát không dây và/hoặc khe bị bẩn.	Nhẹ nhàng lau sạch bụi bẩn trên điện cực của thiết bị thu và phát không dây và làm sạch khe.
	Công tắc chờ trên máy hút bụi không được gạt về "AUTO".	Gạt công tắc chờ trên máy hút bụi về "AUTO".
	Không có nguồn cấp điện	Cấp điện cho dụng cụ và máy hút bụi.
	Vận hành không chính xác	Nhấn dứt khoát nút kích hoạt không dây và thực hiện lại quy trình đăng ký/hủy bỏ dụng cụ.
	Dụng cụ và máy hút bụi cách xa nhau (ngoài phạm vi truyền).	Đặt dụng cụ và máy hút bụi gần nhau hơn. Khoảng cách truyền tối đa là khoảng 10 m, tuy nhiên có thể khác nhau tùy theo trường hợp.
	Trước khi hoàn tất đăng ký/hủy bỏ dụng cụ; - cần khởi động công tắc trên dụng cụ được kéo hoặc; - nút nguồn trên máy hút bụi được bật.	Nhấn dứt khoát nút kích hoạt không dây và thực hiện lại quy trình đăng ký/hủy bỏ dụng cụ.
	Quy trình đăng ký dụng cụ cho dụng cụ hoặc máy hút bụi chưa hoàn tất.	Thực hiện quy trình đăng ký dụng cụ cho cả dụng cụ và máy hút bụi cùng một lúc.
	Nhiều sóng vô tuyến do các thiết bị có thể tạo ra sóng vô tuyến cường độ cao khác gây ra.	Giữ dụng cụ và máy hút bụi cách xa các thiết bị như các thiết bị Wi-Fi và lò vi sóng.

Tình trạng bất thường	Nguyên nhân tiềm tàng (sự cố hồng học)	Biện pháp khắc phục
Máy hút bụi không hoạt động theo vận hành chuyển đổi dụng cụ.	Thiết bị thu và phát không dây không được lắp vào dụng cụ.	Lắp thiết bị thu và phát không dây đúng cách.
	Thiết bị thu và phát không dây được lắp không đúng cách vào dụng cụ.	
	Điện cực của thiết bị thu và phát không dây và/hoặc khe bị bẩn.	Nhẹ nhàng lau sạch bụi bẩn trên điện cực của thiết bị thu và phát không dây và làm sạch khe.
	Nút kích hoạt không dây trên dụng cụ không được nhấn.	Nhấn dứt khoát nút kích hoạt không dây và đảm bảo rằng đèn kích hoạt không dây đang nhấp nháy màu xanh dương.
	Công tắc chờ trên máy hút bụi không được gạt về "AUTO".	Gạt công tắc chờ trên máy hút bụi về "AUTO".
	Hơn 10 dụng cụ được đăng ký cho máy hút bụi.	Thực hiện lại đăng ký dụng cụ. Nếu có hơn 10 dụng cụ được đăng ký cho máy hút bụi, dụng cụ được đăng ký sớm nhất sẽ tự động bị hủy bỏ.
	Máy hút bụi đã xóa toàn bộ các đăng ký dụng cụ.	Thực hiện lại đăng ký dụng cụ.
	Không có nguồn cấp điện	Cấp điện cho dụng cụ và máy hút bụi.
	Dụng cụ và máy hút bụi cách xa nhau (ngoài phạm vi truyền).	Đặt dụng cụ và máy hút bụi gần nhau hơn. Khoảng cách truyền tối đa là khoảng 10 m, tuy nhiên có thể khác nhau tùy theo trường hợp.
Máy hút bụi chạy trong khi cần khởi động công tắc của dụng cụ không được kéo.	Nhiều sóng vô tuyến do các thiết bị có thể tạo ra sóng vô tuyến cường độ cao khác gây ra.	Giữ dụng cụ và máy hút bụi cách xa các thiết bị như các thiết bị Wi-Fi và lò vi sóng.
	Người dùng khác đang sử dụng kích hoạt không dây của máy hút bụi bằng dụng cụ của họ.	Tắt nút kích hoạt không dây của các dụng cụ khác hoặc hủy bỏ đăng ký dụng cụ của các dụng cụ khác.

BẢO TRÌ

⚠ THẬN TRỌNG: Hãy luôn chắc chắn rằng dụng cụ đã được tắt và hộp pin đã được tháo ra trước khi cố gắng thực hiện việc kiểm tra hay bảo dưỡng.

CHÚ Ý: Không được phép dùng xăng, ét xăng, dung môi, cồn hoặc hóa chất tương tự. Có thể xảy ra hiện tượng mất màu, biến dạng hoặc nứt vỡ.

Để đảm bảo ĐỘ AN TOÀN và ĐỘ TIN CẬY của sản phẩm, việc sửa chữa hoặc bất cứ thao tác bảo trì, điều chỉnh nào đều phải được thực hiện bởi các Trung tâm Dịch vụ Nhà máy hoặc Trung tâm được Makita Ủy quyền và luôn sử dụng các phụ tùng thiết bị thay thế của Makita.

PHỤ KIỆN TỰY CHỌN

⚠ THẬN TRỌNG: Các phụ kiện hoặc phụ tùng gắn thêm này được khuyến cáo sử dụng với dụng cụ Makita của bạn theo như quy định trong hướng dẫn này. Việc sử dụng bất cứ phụ kiện hoặc phụ tùng gắn thêm nào khác đều có thể gây ra rủi ro thương tích cho người. Chỉ sử dụng phụ kiện hoặc phụ tùng gắn thêm cho mục đích đã quy định sẵn của chúng.

Nếu bạn cần bất kỳ sự hỗ trợ nào để biết thêm chi tiết về các phụ tùng này, hãy hỏi Trung tâm Dịch vụ của Makita tại địa phương của bạn.

- Đầu mũi khoan có bịt cacbua SDS-MAX
- Đầu đục SDS-MAX
- Mũi đục người SDS-MAX
- Mũi đục đánh vẩy SDS-MAX
- Lưỡi mai cắt sét SDS-MAX
- Dầu tra đầu mũi
- Tay nắm hồng
- Tay cầm hồng
- Thanh đo sâu
- Bóng thổi khí
- Phụ tùng bộ hút bụi
- Kính bảo hộ
- Thiết bị thu và phát không dây
- Pin và bộ sạc chính hãng của Makita
- Hộp nhựa chứa dụng cụ

LƯU Ý: Một số mục trong danh sách có thể được bao gồm trong gói dụng cụ làm phụ kiện tiêu chuẩn. Các mục này ở mỗi quốc gia có thể khác nhau.

ข้อมูลจำเพาะ

รุ่น:		HR005G
ความสามารถ	ดอกสว่านปลายคาร์ไบด์	40 mm
	แกนดอกสว่าน	105 mm
ความเร็วขณะหมุนเปล่า (RPM)		250 - 500 min ⁻¹
อัตราการเจาะกระแทกต่อนาที		1,450 - 2,900 min ⁻¹
ความยาวโดยรวม	รวม BL4025	484 mm
	รวม BL4040	500 mm
แรงดันไฟฟ้าสูงสุด		D.C. 36 V - 40 V สูงสุด
น้ำหนักสุทธิ		7.4 - 8.2 kg

- เนื่องจากการค้นคว้าวิจัยและพัฒนาอย่างต่อเนื่อง ข้อมูลจำเพาะในเอกสารฉบับนี้อาจเปลี่ยนแปลงได้โดยไม่ต้องแจ้งให้ทราบล่วงหน้า
- ข้อมูลจำเพาะและตลับแบตเตอรี่อาจแตกต่างกันไปในแต่ละประเทศ
- น้ำหนักอาจแตกต่างกันไปตามอุปกรณ์เสริม รวมถึงตลับแบตเตอรี่ การติดอุปกรณ์เสริมที่เบาที่สุดและหนักที่สุดตามข้อบังคับของ EPTA 01/2014 มีแสดงอยู่ในตาราง

ตลับแบตเตอรี่และเครื่องชาร์จที่ใช้ได้

ตลับแบตเตอรี่	BL4020 / BL4025 / BL4040* / BL4050F* * : แบตเตอรี่ที่แนะนำ
เครื่องชาร์จ	DC40RA / DC40RB / DC40RC

- ตลับแบตเตอรี่และเครื่องชาร์จบางรายการที่แสดงอยู่ด้านบนอาจไม่มีวางจำหน่ายขึ้นอยู่กับภูมิภาคที่คุณอาศัยอยู่

⚠ คำเตือน: ใช้ตลับแบตเตอรี่และเครื่องชาร์จที่ระบุไว้ข้างบนเท่านั้น การใช้ตลับแบตเตอรี่และเครื่องชาร์จประเภทอื่นอาจก่อให้เกิดความเสี่ยงที่จะได้รับบาดเจ็บและ/หรือเกิดไฟไหม้

สัญลักษณ์

ต่อไปนี้เป็นสัญลักษณ์ที่อาจใช้สำหรับอุปกรณ์ โปรดศึกษาความหมายของสัญลักษณ์ให้เข้าใจก่อนการใช้งาน

 อ่านคู่มือการใช้งาน



สำหรับประเทศในสหภาพยุโรปเท่านั้น ห้ามทิ้งอุปกรณ์ไฟฟ้าหรือชุดแบตเตอรี่รวมกับขยะครัวเรือนทั่วไป! เพื่อให้เป็นไปตามกฎระเบียบของยุโรปเกี่ยวกับขยะจำพวกอุปกรณ์ไฟฟ้าและอิเล็กทรอนิกส์ และขยะจำพวกแบตเตอรี่และหม้อสะสมไฟฟ้า และการปฏิบัติตามกฎหมายในประเทศ ต้องเก็บอุปกรณ์ไฟฟ้าและแบตเตอรี่และชุดแบตเตอรี่ที่หมดอายุการใช้งานแล้วแยกต่างหาก และส่งกลับไปยังศูนย์รีไซเคิลที่เป็นมิตรต่อสิ่งแวดล้อม

จุดประสงค์การใช้งาน

เครื่องมือชนิดนี้ใช้สำหรับเจาะกระแทกและการเจาะก่อนอิฐ คอนกรีต และหิน และงานการสกัด

คำเตือนด้านความปลอดภัย

คำเตือนด้านความปลอดภัยของเครื่องมือไฟฟ้าทั่วไป

คำเตือน: โปรดอ่านคำเตือนด้านความปลอดภัย คำแนะนำ ภาพประกอบ และข้อมูลจำเพาะต่างๆ ที่หามา กับเครื่องมือไฟฟ้านี้อย่างละเอียด การไม่ปฏิบัติตามคำแนะนำดังต่อไปนี้ อาจส่งผลให้เกิดไฟฟ้าช็อต ไฟไหม้ และ/หรือได้รับบาดเจ็บอย่างร้ายแรงได้

เก็บรักษาคำเตือนและคำแนะนำทั้งหมดไว้

เป็นข้อมูลอ้างอิงในอนาคต

คำว่า "เครื่องมือไฟฟ้า" ในคำเตือนนี้หมายถึงเครื่องมือไฟฟ้า (มีสาย) ที่ทำงานโดยใช้กระแสไฟฟ้าหรือเครื่องมือไฟฟ้า (ไร้สาย) ที่ทำงานโดยใช้แบตเตอรี่

ความปลอดภัยของพื้นที่ทำงาน

1. ดูแลพื้นที่ทำงานให้มีความสะอาดและมีแสงไฟสว่าง พื้นที่รกกระเจะระเกะหรือมืดทึบอาจนำไปสู่การเกิดอุบัติเหตุได้
2. อย่าใช้งานเครื่องมือไฟฟ้าในสภาพที่อาจเกิดการระเบิด เช่น ในสถานที่ที่มีของเหลว ก๊าซ หรือฝุ่นที่มีคุณสมบัติไวไฟ เครื่องมือไฟฟ้าอาจสร้างประกายไฟและจุดชนวนฝุ่นผงหรือก๊าซดังกล่าว
3. ดูแลไม่ให้มีเด็ก หรือบุคคลอื่นอยู่ในบริเวณที่กำลังใช้เครื่องมือไฟฟ้า การมีสิ่งรบกวนสมาธิอาจทำให้คุณสูญเสียการควบคุม

ความปลอดภัยด้านไฟฟ้า

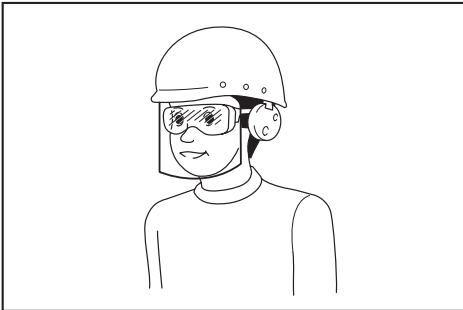
1. ปลั๊กของเครื่องมือไฟฟ้าต้องพอดีกับเต้ารับ อย่าดัดแปลงปลั๊กไม่ว่ากรณีใดๆ อย่าใช้ปลั๊กอะแดปเตอร์กับเครื่องมือไฟฟ้าที่ต่อสายดิน ปลั๊กที่ไม่ถูกดัดแปลงและเต้ารับที่เข้ากันพอดีจะช่วยลดความเสี่ยงของการเกิดไฟฟ้าช็อต
2. ระมัดระวังให้ร่างกายสัมผัสกับพื้นผิวที่ต่อสายดิน เช่น ท่อ เครื่องนำความร้อน เตาหุงต้ม และตู้เย็น มีความเสี่ยงที่จะเกิดไฟฟ้าช็อตสูงขึ้น หากร่างกายของคุณสัมผัสกับพื้น

3. อย่าให้เครื่องมือไฟฟ้าถูกน้ำหรืออยู่ในสภาพเปียกชื้น น้ำที่ไหลเข้าไปในเครื่องมือไฟฟ้าจะเพิ่มความเสี่ยงของการเกิดไฟฟ้าช็อต
4. อย่าใช้สายไฟอย่างไม่เหมาะสม อย่าใช้สายไฟเพื่อยก ดึง หรือถอดปลั๊กเครื่องมือไฟฟ้า เก็บสายไฟให้ห่างจากความร้อน น้ำมัน ของมีคม หรือชิ้นส่วนที่เคลื่อนที่ สายที่ชำรุดหรือพันกันจะเพิ่มความเสี่ยงของการเกิดไฟฟ้าช็อต
5. ขณะที่ใช้งานเครื่องมือไฟฟ้านอกอาคาร ควรใช้สายต่อพ่วงที่เหมาะสมกับงานภายนอกอาคาร การใช้สายที่เหมาะสมกับงานภายนอกอาคารจะลดความเสี่ยงของการเกิดไฟฟ้าช็อต
6. หากต้องใช้งานเครื่องมือไฟฟ้าในสถานที่เปียกชื้น ให้ใช้อุปกรณ์ป้องกันกระแสไฟรั่ว (RCD) การใช้ RCD จะลดความเสี่ยงของการเกิดไฟฟ้าช็อต
7. เครื่องมือไฟฟ้าอาจสร้างสนามแม่เหล็ก (EMF) ที่ไม่เป็นอันตรายต่อผู้ใช้ อย่างไรก็ตาม ผู้ใช้ที่ใส่เครื่องกระตุ้นหัวใจและอุปกรณ์ทางการแพทย์ที่คล้ายกันนี้ ควรติดต่อผู้ผลิตอุปกรณ์และ/หรือแพทย์เพื่อรับคำแนะนำก่อนใช้งานเครื่องมือไฟฟ้านี้

ความปลอดภัยส่วนบุคคล

1. ให้ระมัดระวังและเมตตาอยู่เสมอขณะใช้งานเครื่องมือไฟฟ้า อย่าใช้งานเครื่องมือไฟฟ้าในขณะที่คุณกำลังเหนื่อย หรือในสภาพที่มึนเมาจากยาเสพติด เครื่องดื่ม แอลกอฮอล์ หรือการใช้ยา ช่วงเวลาที่ขาดความระมัดระวังเมื่อกำลังใช้งานเครื่องมือไฟฟ้าอาจทำให้ได้รับบาดเจ็บร้ายแรง
2. ใช้อุปกรณ์ป้องกันส่วนบุคคล สวมแว่นตาป้องกันเสมอ อุปกรณ์ป้องกัน เช่น หน้ากากกันฝุ่น รองเท้านิรภัย กันลื่น หมวกนิรภัย หรือเครื่องป้องกันการได้ยินที่ใช้ในสภาพที่เหมาะสมจะช่วยลดการบาดเจ็บ
3. ป้องกันไม่ให้เกิดการเปิดใช้งานโดยไม่ตั้งใจ ตรวจสอบให้แน่ใจว่าสวิตช์ปิดอยู่ก่อนที่จะเชื่อมต่อกับแหล่งจ่ายไฟ และ/หรือชุดแบตเตอรี่ รวมทั้งตรวจสอบก่อนการยกหรือเคลื่อนย้ายเครื่องมือ การสอดนิ้วมือบริเวณสวิตช์เพื่อถือเครื่องมือไฟฟ้า หรือการชาร์จไฟเครื่องมือไฟฟ้าในขณะที่เปิดสวิตช์อยู่อาจนำไปสู่การเกิดอุบัติเหตุ
4. นักกฎหมายปรับตั้งหรือประแจออกก่อนที่จะเปิดเครื่องมือไฟฟ้า ประแจหรือกฎหมายที่เสียบค้างอยู่ในชิ้นส่วนที่หมุนได้ของเครื่องมือไฟฟ้าอาจทำให้ได้รับบาดเจ็บ
5. อย่าทำงานในระยะที่สูดเอื้อม จัดท่ากรายืนและการทรงตัวให้เหมาะสมตลอดเวลา เพราะจะทำให้ควบคุมเครื่องมือไฟฟ้าได้ดีขึ้นในสถานการณ์ที่ไม่คาดคิด

6. แต่งกายให้เหมาะสม อย่าสวมเครื่องแต่งกายที่หลวมเกินไป หรือสวมเครื่องประดับ อย่าใส่เส้นผมและเสื้อผ้าอยู่ใกล้ชิ้นส่วนที่เคลื่อนที่ เสื้อผ้ารุ่มร่าม เครื่องประดับ หรือผมที่มีความยาวอาจเข้าไปติดในชิ้นส่วนที่เคลื่อนที่
7. หากมีการจัดอุปกรณ์สำหรับดูดและจับฝุ่นไว้ในสถานที่ ให้ตรวจสอบว่าได้เชื่อมต่อและใช้งานอุปกรณ์นั้นอย่างเหมาะสม การใช้เครื่องดูดและจับฝุ่นจะช่วยลดอันตรายที่เกิดจากฝุ่นผงได้
8. อย่าให้ความดันเคยจากการใช้งานเครื่องมือเป็นประจำทำให้คุณทำตัวตามสบายและละเลยหลักการเพื่อความปลอดภัยในการใช้เครื่องมือ การกระทำที่ไม่ระมัดระวังอาจทำให้เกิดการบาดเจ็บร้ายแรงภายในเสี้ยววินาที
9. สวมใส่แว่นครอบตาที่รับภัยเพื่อปกป้องดวงตาของคุณจากการบาดเจ็บเมื่อใช้เครื่องมือไฟฟ้า แว่นครอบตาจะต้องได้มาตรฐาน ANSI Z87.1 ในสหรัฐอเมริกา, EN 166 ในยุโรป หรือ AS/NZS 1336 ในออสเตรเลีย/นิวซีแลนด์ ในออสเตรเลีย/นิวซีแลนด์ จะต้องสวมเกราะป้องกันใบหน้าเพื่อปกป้องใบหน้าของคุณอย่างถูกต้องตามกฎหมายด้วย



ผู้ว่าจ้างมีหน้าที่รับผิดชอบในการบังคับผู้ใช้งานเครื่องมือและบุคคลอื่นๆ ที่อยู่ในบริเวณที่ปฏิบัติงานให้ใช้อุปกรณ์ป้องกันที่เหมาะสม

การใช้และดูแลเครื่องมือไฟฟ้า

1. อย่าฝืนใช้เครื่องมือไฟฟ้า ใช้เครื่องมือไฟฟ้าที่เหมาะสมกับการใช้งานของคุณ เครื่องมือไฟฟ้าที่เหมาะสมจะทำให้ได้งานที่มีประสิทธิภาพและปลอดภัยกว่าตามขีดความสามารถของเครื่องที่ได้รับการออกแบบมา
2. อย่าใช้เครื่องมือไฟฟ้า หากสวิตช์ไม่สามารถเปิดปิดได้ เครื่องมือไฟฟ้าที่ควบคุมด้วยสวิตช์ไม่ได้เป็นอันตรายและต้องได้รับการซ่อมแซม

3. ถอดปลั๊กจากแหล่งจ่ายไฟ และ/หรือชุดแบตเตอรี่ออกจากเครื่องมือไฟฟ้าก่อนทำการปรับตั้ง เปลี่ยนอุปกรณ์เสริม หรือจัดเก็บเครื่องมือไฟฟ้า วิธีการป้องกันด้านความปลอดภัยดังกล่าวจะช่วยลดความเสี่ยงในการเปิดใช้งานเครื่องมือไฟฟ้าโดยไม่ตั้งใจ
4. จัดเก็บเครื่องมือไฟฟ้าที่ไม่ได้ใช้งานให้ห่างจากมือเด็ก และอย่าอนุญาตให้บุคคลที่ไม่คุ้นเคยกับเครื่องมือไฟฟ้าหรือคำแนะนำเหล่านี้ใช้งานเครื่องมือไฟฟ้า เครื่องมือไฟฟ้าจะเป็นอันตรายเมื่ออยู่ในมือของผู้ที่ไม่ได้รับการฝึกอบรม
5. บำรุงรักษาเครื่องมือไฟฟ้าและอุปกรณ์เสริม ตรวจสอบการประกอบที่ไม่ถูกต้องหรือการเชื่อมต่อของชิ้นส่วนที่เคลื่อนที่ การแตกหักของชิ้นส่วน หรือสภาพอื่นๆ ที่อาจส่งผลกระทบต่อการทำงานของเครื่องมือไฟฟ้า หากมีความเสียหาย ให้นำเครื่องมือไฟฟ้าไปซ่อมแซมก่อนการใช้งาน อุบัติเหตุจำนวนมากเกิดจากการดูแลรักษาเครื่องมือไฟฟ้าอย่างไม่ถูกต้อง
6. ทำความสะอาดเครื่องมือตัดและลับให้คมอยู่เสมอ เครื่องมือการตัดที่มีการดูแลอย่างถูกต้องและมีขอบการตัดคมมักจะมีปัญหาติดขัดน้อยและควบคุมได้ง่ายกว่า
7. ใช้เครื่องมือไฟฟ้า อุปกรณ์เสริม และวัสดุสิ้นเปลือง ฯลฯ ตามคำแนะนำดังกล่าว พิจารณาสภาพการทำงานและงานที่จะลงมือทำ การใช้เครื่องมือไฟฟ้าเพื่อทำงานอื่นนอกเหนือจากที่กำหนดไว้อาจทำให้เกิดอันตราย
8. ดูแลมือจับและบริเวณมือจับให้แห้ง สะอาด และไม่มีน้ำมันและจาระบีเปื้อน มือจับและบริเวณมือจับที่ลื่นจะทำให้ไม่สามารถจับและควบคุมเครื่องมือได้อย่างปลอดภัยในสถานการณ์ที่ไม่คาดคิด
9. ขณะใช้งานเครื่องมือ อย่าสวมใส่ถุงมือผ้าที่อาจเข้าไปติดในเครื่องมือได้ หากถุงมือผ้าเข้าไปติดในชิ้นส่วนที่กำลังเคลื่อนที่ที่อยู่อาจทำให้ได้รับบาดเจ็บ

การใช้งานและดูแลเครื่องมือที่ใช้แบตเตอรี่

1. ชาร์จไฟใหม่ด้วยเครื่องชาร์จที่ระบุโดยผู้ผลิตเท่านั้น เครื่องชาร์จที่เหมาะสมสำหรับชุดแบตเตอรี่ประเภทนี้อาจเสี่ยงที่จะเกิดไฟไหม้หากนำไปใช้กับชุดแบตเตอรี่อีกประเภทหนึ่ง
2. ใช้เครื่องมือไฟฟ้ากับชุดแบตเตอรี่ที่กำหนดมาโดยเฉพาะเท่านั้น การใช้ชุดแบตเตอรี่ประเภทอื่นอาจทำให้เสี่ยงที่จะได้รับบาดเจ็บและเกิดไฟไหม้

- เมื่อไม่ใช้งานชุดแบตเตอรี่ ให้เก็บห่างจากวัตถุที่เป็นโลหะอื่นๆ เช่น คลิปหนีบกระดาษ เหรียญ กุญแจ กรรไกร ตัดเล็บ สกรู หรือวัตถุที่เป็นโลหะขนาดเล็กอื่นๆ ที่สามารถเชื่อมต่อชั่วคราวกับอีกขั้วหนึ่งได้ การลัดวงจรขั้วแบตเตอรี่อาจทำให้ร้อนจัดหรือเกิดไฟไหม้
- ในกรณีที่ใช้งานไม่ถูกต้อง อาจมีของเหลวไหลออกจากแบตเตอรี่ ให้หลีกเลี่ยงการสัมผัส หากสัมผัสโดนของเหลวโดยไม่ตั้งใจ ให้ล้างออกด้วยน้ำ หากของเหลวกระเด็นเข้าตา ให้รีบไปพบแพทย์ ของเหลวที่ไหลออกจากแบตเตอรี่อาจทำให้ผิวหนังระคายเคืองหรือไหม้
- ห้ามใช้ชุดแบตเตอรี่หรือเครื่องมือที่ชำรุดหรือมีการแก้ไข แบตเตอรี่ที่เสียหายหรือมีการแก้ไขอาจทำให้เกิดสิ่งที่ไม่ถึงใจได้ เช่น ไฟไหม้ ระเบิด หรือเสียงต่อการบาดเจ็บ
- ห้ามใช้ชุดแบตเตอรี่อยู่ใกล้ไฟ หรือบริเวณที่มีอุณหภูมิสูงเกิน หากโดนไฟ หรืออุณหภูมิสูงเกิน 130 °C อาจก่อให้เกิดการระเบิดได้
- กรุณาปฏิบัติตามคำแนะนำสำหรับการชาร์จไฟ และห้ามชาร์จแบตเตอรี่หรือเครื่องมือในบริเวณที่มีอุณหภูมินอกเหนือไปจากที่ระบุในคำแนะนำ การชาร์จไฟที่ไม่เหมาะสม หรืออุณหภูมินอกเหนือไปจากช่วงอุณหภูมิที่ระบุในคำแนะนำอาจทำให้แบตเตอรี่เสียหายและเป็นการเพิ่มความเสี่ยงในการเกิดไฟไหม้

การซ่อมบำรุง

- นำเครื่องมือไฟฟ้าเข้ารับบริการจากช่างซ่อมที่ผ่านการรับรองโดยใช้อะไหล่แบบเดียวกันเท่านั้น เพราะจะทำให้การใช้เครื่องมือไฟฟ้ามีความปลอดภัย
- ห้ามใช้ชุดแบตเตอรี่ที่เสียหาย ชุดแบตเตอรี่ที่ใช้ควรเป็นชุดที่มาจากผู้ผลิต หรือผู้ให้บริการที่ได้รับอนุญาตเท่านั้น
- ปฏิบัติตามคำแนะนำในการหล่อลื่นและการเปลี่ยนอุปกรณ์เสริม

คำเตือนด้านความปลอดภัยของส่วนไฟฟ้าไร้สาย

- สวมใส่อุปกรณ์ป้องกันเสียง เสียงที่ดังเกินขนาดอาจทำให้สูญเสียการได้ยิน
- ใช้มือจับเสริม หากมีมากับเครื่องมือ การสูญเสียการควบคุมอาจทำให้ได้รับบาดเจ็บ

- ถือเครื่องมือไฟฟ้าบริเวณมือจับที่เป็นฉนวนเมื่อทำงานที่เครื่องมือตัดอาจสัมผัสกับสายไฟที่ซ่อนอยู่ หากอุปกรณ์ส่วนที่ใช้ตัดเกิดสัมผัสกับสายไฟที่ “มีกระแสไฟฟ้าไหลผ่าน” อาจทำให้ส่วนที่เป็นโลหะของเครื่องมือไฟฟ้าที่ไม่มีฉนวนหุ้มเกิดกระแสไฟฟ้าไหลผ่านได้ และส่งผลให้ผู้ปฏิบัติงานถูกไฟฟ้าช็อต
- สวมหมวกแข็ง (หมวกนิรภัย) แวนนิรภัย และ/หรือ หน้ากากป้องกัน แวนตาปัดหรือแวนกันแดดไม่ใช่ แวนนิรภัย และขอแนะนำอย่างยิ่งให้สวมหน้ากากกันฝุ่นและถุงมือหนาๆ
- ตรวจสอบให้แน่ใจว่าดอกสว่านยึดแน่นเข้าที่ดีแล้วก่อนการใช้งาน
- ภายใต้การทำงานปกติ เครื่องมือได้รับการออกแบบมาเพื่อสร้างแรงสั่นสะเทือน ดังนั้น สกรูต่างๆ จะหลวมได้ง่าย ซึ่งอาจทำให้เครื่องมือเสียหรือเกิดอุบัติเหตุ ตรวจสอบให้แน่ใจว่าขันสกรูแน่นดีแล้วก่อนการใช้งาน
- ในสภาพอากาศหนาวหรือเมื่อไม่มีการใช้เครื่องมือเป็นระยะเวลานาน ต้องอุ่นเครื่องมือสักครู่โดยการเปิดเครื่องทิ้งไว้เรื่อยๆ เพื่อให้มีการหล่อลื่น หากไม่มีการอุ่นเครื่องมืออย่างเหมาะสม การเจาะสักก็ทำได้ยาก
- ตรวจสอบให้แน่ใจว่าได้ยึดอย่างมั่นคง หากใช้งานเครื่องมือในพื้นที่สูง ระวังอย่าให้มีคนอยู่ด้านล่าง
- จับเครื่องมือให้แน่นด้วยมือทั้งสองข้าง
- ระวังอย่าให้มือสัมผัสกับชิ้นส่วนที่เคลื่อนที่
- อย่าปล่อยให้เครื่องมือทำงานค้างไว้ ใช้งานเครื่องมือในขณะที่ถืออยู่เท่านั้น
- อย่าใช้เครื่องมือเข้าไปที่บุคคลใดในพื้นที่ทำงานขณะใช้งาน ดอกสว่านอาจกระเด็นออกและทำให้ได้รับบาดเจ็บร้ายแรง
- อย่าสัมผัสดอกสว่าน ชิ้นส่วนที่ใกล้กับดอกสว่าน หรือชิ้นงานทันทีหลังเริ่มใช้งาน เนื่องจากอาจมีความร้อนสูงและไหม้ผิวหนังคุณได้
- วัสดุบางอย่างอาจมีสารเคมีที่เป็นพิษ ระวังอย่าสูดดมฝุ่นหรือสัมผัสกับผิวหนัง ปฏิบัติตามข้อมูลด้านความปลอดภัยของผู้ผลิตวัสดุ
- ตรวจสอบให้แน่ใจว่าได้ปิดสวิตช์เครื่องมือและถอดปลั๊กแบตเตอรี่รวมถึงดอกสว่านออกแล้วก่อนส่งเครื่องมือให้บุคคลอื่น
- ก่อนทำงาน ตรวจสอบให้แน่ใจว่าไม่มีวัตถุใดๆ ฝังอยู่ เช่น ท่อไฟฟ้า ท่อน้ำ หรือท่อแก๊ส ในพื้นที่ปฏิบัติงาน ไม่เช่นนั้น ดอกสว่าน/สว่านอาจสัมผัสกับวัตถุดังกล่าว ซึ่งส่งผลให้เกิดไฟช็อต ไฟรั่ว หรือแก๊สรั่วได้

17. อย่าใช้งานเครื่องมือที่ความเร็วหมุนเปล่าโดยไม่จำเป็น

ปฏิบัติตามคำแนะนำเหล่านี้

คำเตือน: อย่าให้ความไม่ระมัดระวังหรือความคุ้นเคยกับผลิตภัณฑ์ (จากการใช้งานซ้ำหลายครั้ง) อยู่เหนือการปฏิบัติตามกฎเกณฑ์ด้านความปลอดภัยในการใช้งาน ผลิตภัณฑ์อย่างเคร่งครัด การใช้งานอย่างไม่เหมาะสมหรือการไม่ปฏิบัติตามกฎเกณฑ์ด้านความปลอดภัยในคู่มือการใช้งานนี้อาจทำให้ได้รับบาดเจ็บร้ายแรง

คำแนะนำเพื่อความปลอดภัยที่สำคัญสำหรับดัลล์แบตเตอรี่

- ก่อนใช้งานดัลล์แบตเตอรี่ให้อ่านคำแนะนำและเครื่องหมายเตือนทั้งหมดบน (1) เครื่องชาร์จแบตเตอรี่ (2) แบตเตอรี่ และ (3) ตัวผลิตภัณฑ์ที่ใช้แบตเตอรี่
- อย่าถอดแยกชิ้นส่วนหรือทำการดัดแปลงดัลล์แบตเตอรี่ เนื่องจากอาจทำให้เกิดไฟไหม้ ความร้อนที่สูงเกินไป หรือระเบิดได้
- หากระยะเวลาที่เครื่องทำงานสั้นเกินไป ให้หยุดใช้งานทันที เนื่องจากอาจมีความเสี่ยงที่จะร้อนจัด ไหม้หรือระเบิดได้
- หากสารละลายอิเล็กโทรไลต์กระเด็นเข้าตา ให้ล้างออกด้วยน้ำเปล่าและรีบไปพบแพทย์ทันที เนื่องจากอาจทำให้ตาบอด
- ห้ามลัดวงจรดัลล์แบตเตอรี่:
 - ห้ามแตะขั้วกับวัตถุที่เป็นสื่อนำไฟฟ้าใดๆ
 - หลีกเลี่ยงการเก็บดัลล์แบตเตอรี่ไว้ในภาชนะร่วมกับวัตถุที่เป็นโลหะ เช่น กรรไกรตัดเล็บ เหรียญ ฯลฯ
 - อย่าให้ดัลล์แบตเตอรี่ถูกน้ำหรือฝน แบตเตอรี่ลัดวงจรอาจทำให้เกิดการไหลของกระแสไฟฟ้า ร้อนจัด ไหม้หรือเสียหายได้
- ห้ามเก็บและใช้เครื่องมือและดัลล์แบตเตอรี่ไว้ในสถานที่ที่มีอุณหภูมิสูงถึงหรือเกิน 50 °C (122 °F)
- ห้ามเผาดัลล์แบตเตอรี่ทิ้ง แม้ว่าแบตเตอรี่จะเสียหายจนใช้การไม่ได้หรือเสื่อมสภาพแล้ว ดัลล์แบตเตอรี่อาจจะระเบิดในกองไฟ
- อย่าดอดตะปู ตัด บด ขั้ว หรือทำดัลล์แบตเตอรี่หล่นพื้น หรือกระทบดัลล์แบตเตอรี่กับวัตถุของแข็ง การกระทำดังกล่าวอาจส่งผลให้เกิดไฟไหม้ ความร้อนที่สูงเกินไป หรือระเบิดได้
- ห้ามใช้แบตเตอรี่ที่เสียหาย

- แบตเตอรี่ลิเทียมไอออนที่มีมาให้มาเป็นไปตามข้อกำหนดของ Dangerous Goods Legislation สำหรับการขนส่งเพื่อการพาณิชย์ เช่น โดยบุคคลที่สาม ตัวแทนขนส่งสินค้า จะต้องตรวจสอบข้อกำหนดพิเศษในด้านการบรรจุที่บ่อหรือการติดป้ายสินค้าในการเตรียมสินค้าที่จะขนส่ง ให้ปรึกษาผู้เชี่ยวชาญด้านวัตถุอันตราย โปรดตรวจสอบข้อกำหนดในประเทศที่อาจมีรายละเอียดอื่น ๆ เพิ่มเติม ให้ติดเทปหรือปิดหน้าสัมผัสและห่อแบตเตอรี่ในลักษณะที่แบตเตอรี่จะไม่เคลื่อนที่ไปมาในหีบห่อ
- เมื่อกำจัดดัลล์แบตเตอรี่ ให้ถอดดัลล์แบตเตอรี่ออกจากเครื่องมือและกำจัดในสถานที่ที่ปลอดภัย ปฏิบัติตามข้อบังคับในท้องถิ่นเกี่ยวกับการกำจัดแบตเตอรี่
- ใช้แบตเตอรี่กับผลิตภัณฑ์ที่ระบุโดย Makita เท่านั้น การติดตั้งแบตเตอรี่ในผลิตภัณฑ์ที่ไม่ใช่ตามที่ระบุอาจทำให้เกิดไฟไหม้ ความร้อนสูง ระเบิด หรืออิเล็กทรอนิกส์ที่ไวต่อรังสีได้
- หากไม่ใช่เครื่องมือเป็นระยะเวลานาน จะต้องถอดแบตเตอรี่ออกจากเครื่องมือ
- ในระหว่างและหลังการใช้งาน ดัลล์แบตเตอรี่อาจร้อนซึ่งอาจลวกผิวหนังหรือทำให้ผิวไหม้ที่อุณหภูมิต่ำได้ โปรดระมัดระวังในการจัดการกับแบตเตอรี่ที่ร้อน
- อย่าสัมผัสขั้วของเครื่องมือทันทีหลังจากการใช้งาน เนื่องจากอาจมีความร้อนพอที่จะทำให้ผิวไหม้ได้
- อย่าปล่อยให้เศษวัสดุ ฝุ่นผง หรือดินเข้าไปติดอยู่ในขั้ว รู และร่องของดัลล์แบตเตอรี่ เนื่องจากอาจทำให้เครื่องมือหรือดัลล์แบตเตอรี่มีประสิทธิภาพลดลงหรือเสียหายได้
- หากเครื่องมือไม่รองรับสายไฟแรงดันสูง อย่าใช้ดัลล์แบตเตอรี่ใกล้กับสายไฟแรงดันสูง เนื่องจากเครื่องมือหรือดัลล์แบตเตอรี่อาจทำงานผิดปกติหรือเสียหายได้
- เก็บแบตเตอรี่ให้ห่างจากเด็ก

ปฏิบัติตามคำแนะนำเหล่านี้

ข้อควรระวัง: ใช้แบตเตอรี่ของแท้จาก Makita เท่านั้น การใช้แบตเตอรี่ Makita ที่ไม่แท้ หรือแบตเตอรี่ที่ถูกเปลี่ยน อาจทำให้แบตเตอรี่ระเบิด ก่อให้เกิดเพลิงลุกไหม้ การบาดเจ็บ และความเสียหายได้ และจะทำให้การรับประกันของ Makita สำหรับเครื่องมือและแท่นชาร์จของ Makita เป็นโมฆะด้วย

เคล็ดลับในการรักษาอายุการใช้งานของ

แบตเตอรี่ให้ยาวนานที่สุด

1. ชาร์จตัวแบตเตอรี่ก่อนที่ไฟจะหมด หยุดการใช้งานแล้วชาร์จประจุไฟฟ้าใหม่ทุกครั้งเมื่อคุณรู้สึกว่าอุปกรณ์มีกำลังลดลง
2. อย่าชาร์จตัวแบตเตอรี่ที่ไม่ไฟเต็มแล้ว การชาร์จประจุไฟฟ้ามากเกินไปอาจจะทำให้อายุการใช้งานของตัวแบตเตอรี่สั้นลง
3. ชาร์จประจุไฟฟ้าตัวแบตเตอรี่ในห้องที่มีอุณหภูมิระหว่าง 10 °C - 40 °C ปลอ่ยให้ตัวแบตเตอรี่เย็นลงก่อนที่จะชาร์จไฟ
4. เมื่อไม่ใช้ตัวแบตเตอรี่ ให้ถอดออกจากเครื่องมือหรือเครื่องชาร์จ
5. ชาร์จไฟตัวแบตเตอรี่หากคุณไม่ต้องการใช้เป็นเวลานาน (เกินกว่าหกเดือน)

คำแนะนำด้านความปลอดภัยที่สำคัญสำหรับอุปกรณ์รับส่งสัญญาณไร้สาย

1. อย่าถอดแยกชิ้นส่วนหรือปรับเปลี่ยนอุปกรณ์รับส่งสัญญาณไร้สาย
2. เก็บอุปกรณ์รับส่งสัญญาณไร้สายให้ห่างจากเด็กเล็ก หากเด็กกลืนอุปกรณ์เข้าไปโดยบังเอิญ โปรดพาไปพบแพทย์ทันที
3. ใช้อุปกรณ์รับส่งสัญญาณไร้สายกับเครื่องมือของ Makita เท่านั้น
4. อย่าให้อุปกรณ์รับส่งสัญญาณไร้สายถูกฝนหรืออยู่ในสภาพเปียกชื้น
5. อย่าใช้อุปกรณ์รับส่งสัญญาณไร้สายในสถานที่ที่มีอุณหภูมิสูงกว่า 50°C
6. อย่าใช้งานอุปกรณ์รับส่งสัญญาณไร้สายในสถานที่ที่มีเครื่องมือทางการแพทย์อยู่ใกล้ๆ เช่น เครื่องกระตุ้นการเต้นของหัวใจ เป็นต้น
7. อย่าใช้งานอุปกรณ์รับส่งสัญญาณไร้สายในสถานที่ที่มีอุปกรณ์อัตโนมัติอยู่ใกล้ๆ เนื่องจากอุปกรณ์อัตโนมัติอาจทำงานผิดปกติหรือเกิดความผิดพลาดได้
8. อย่าใช้อุปกรณ์ไร้สายในสถานที่ที่มีอุณหภูมิสูง หรือสถานที่ที่อาจเกิดไฟฟ้าสถิต หรือสัญญาณรบกวนทางไฟฟ้า
9. อุปกรณ์รับส่งสัญญาณไร้สายอาจสร้างสนามแม่เหล็ก (EMF) แต่ไม่เป็นอันตรายต่อผู้ใช้
10. อุปกรณ์รับส่งสัญญาณไร้สายเป็นเครื่องมือที่มีความแม่นยำ ระวังอย่าทำอุปกรณ์รับส่งสัญญาณไร้สายตกหล่นหรือกระทบกระแทก

11. หลีกเลี่ยงการสัมผัสขั้วต่อของอุปกรณ์รับส่งสัญญาณไร้สายด้วยมือเปล่าหรือวัสดุที่นำจากโลหะ
12. นำแบตเตอรี่ออกจากผลิตภัณฑ์เสมอเมื่อดัดตั้งอุปกรณ์รับส่งสัญญาณไร้สายบนผลิตภัณฑ์
13. เมื่อเปิดฝาปิดช่องเสียบ โปรดหลีกเลี่ยงสถานที่ที่ฝุ่นและน้ำอาจเข้าไปในช่องเสียบได้ รักษาช่องทางเข้าช่องเสียบให้สะอาดอยู่เสมอ
14. ใส่อุปกรณ์รับส่งสัญญาณไร้สายในทิศทางที่ถูกต้องเสมอ
15. อย่ากดปุ่มสั่งงานด้วยสัญญาณไร้สายบนอุปกรณ์รับส่งสัญญาณไร้สายแรงจนเกินไป และ/หรือ อย่ากดปุ่มด้วยวัตถุที่มีขอบคม
16. ปิดฝาปิดช่องเสียบขณะใช้งานเสมอ
17. ยื่อนำอุปกรณ์รับส่งสัญญาณไร้สายออกจากช่องเสียบในขณะที่เครื่องมือยังเชื่อมต่อกับไฟฟ้าอยู่ มิฉะนั้นอาจทำให้อุปกรณ์รับส่งสัญญาณไร้สายทำงานผิดปกติได้
18. อย่าแกะสติ๊กเกอร์บนอุปกรณ์รับส่งสัญญาณไร้สายออก
19. อย่าแกะสติ๊กเกอร์บนอุปกรณ์รับส่งสัญญาณไร้สาย
20. อย่าวางอุปกรณ์รับส่งสัญญาณไร้สายไว้ในสถานที่ที่อาจเกิดไฟฟ้าสถิตหรือสัญญาณรบกวนทางไฟฟ้า
21. อย่าวางอุปกรณ์รับส่งสัญญาณไร้สายไว้ในสถานที่ที่อาจเกิดความร้อนสูง เช่น รถยนต์ที่จอดไว้กลางแจ้ง
22. อย่าวางอุปกรณ์รับส่งสัญญาณไร้สายไว้ในสถานที่ที่เต็มไปด้วยฝุ่นหรือผง หรือในสถานที่ที่อาจเกิดก๊าซกัดกร่อน
23. การเปลี่ยนแปลงของอุณหภูมิอย่างกะทันหันอาจทำให้อุปกรณ์รับส่งสัญญาณไร้สายขึ้นด้วยหยดน้ำค้างได้ อย่าให้อุปกรณ์รับส่งสัญญาณไร้สายจนกว่าน้ำค้างจะแห้งสนิท
24. เมื่อต้องการทำความสะอาดอุปกรณ์รับส่งสัญญาณไร้สาย ให้ใช้ผ้าแห้งที่อ่อนนุ่มค่อยๆ เช็ดอย่างเบาเมืออย่าใช้เบนซิน ทินเนอร์ จาระบีที่นำกระแสไฟฟ้า หรือที่คล้ายกันนี้
25. เมื่อต้องการเก็บอุปกรณ์รับส่งสัญญาณไร้สาย ให้เก็บไว้ในกล่องที่หีมาหรือในภาชนะที่ปลอดภัยไฟฟ้าสถิต
26. อย่าใส่อุปกรณ์อื่นนอกจากอุปกรณ์รับส่งสัญญาณไร้สายของ Makita เข้าไปในช่องเสียบบนเครื่องมือ
27. อย่าใช้เครื่องมือที่ฝาปิดของช่องเสียบชำรุด น้ำ ฝุ่น และสิ่งสกปรกที่เข้าไปในช่องเสียบอาจทำให้เกิดการทำงานผิดปกติได้
28. อย่าดึงและ/หรือบิดฝาปิดช่องเสียบมากเกินไปจนจำเป็น เก็บฝาปิดไว้หากฝาปิดหลุดออกจากเครื่องมือ

29. เปลี่ยนฝาปิดช่องเสียบใหม่หากสูญหายหรือชำรุด
ปฏิบัติตามคำแนะนำเหล่านี้

คำอธิบายการทำงาน

⚠ ข้อควรระวัง: ตรวจสอบให้แน่ใจว่าได้ปิดสวิตช์เครื่องมือและถอดด้ามแบตเตอรี่ออกก่อนปรับตั้งหรือตรวจสอบการทำงานของเครื่องมือ

การใส่หรือการถอดด้ามแบตเตอรี่

⚠ ข้อควรระวัง: ปิดสวิตช์เครื่องมือก่อนทำการติดตั้งหรือการถอดด้ามแบตเตอรี่ทุกครั้ง

⚠ ข้อควรระวัง: ถือเครื่องมือและด้ามแบตเตอรี่ให้แน่นในระหว่างการติดตั้งหรือการถอดด้ามแบตเตอรี่ หากไม่ถือเครื่องมือและด้ามแบตเตอรี่ให้แน่น อาจทำให้ด้ามแบตเตอรี่และเครื่องมือสั่นหลุดมือ และทำให้เครื่องมือและด้ามแบตเตอรี่เสียหายหรือได้รับบาดเจ็บได้

▶ **หมายเลข 1:** 1. ซิลลี่แดง 2. ปุ่ม 3. ด้ามแบตเตอรี่

เมื่อต้องการถอดด้ามแบตเตอรี่ ให้เลื่อนปุ่มที่ด้านหน้าของด้ามแล้วดึงออกจากเครื่องมือ

เมื่อต้องการติดตั้งด้ามแบตเตอรี่ ให้จัดแนวสันบนด้ามแบตเตอรี่ให้ตรงกับร่องบนตัวเครื่องมือ แล้วเลื่อนด้ามแบตเตอรี่เข้าที่ ติดตั้งด้ามแบตเตอรี่เข้าจนสุดจนกระทั่งล็อกเข้าที่และได้ยินเสียงคลิก หากยังเห็นซิลลี่แดงที่ด้านบนของปุ่ม แสดงว่าด้ามแบตเตอรี่ยังไม่ล็อกเข้าที่

⚠ ข้อควรระวัง: ให้หันด้ามแบตเตอรี่เข้าจนสุดจนไม่เห็นซิลลี่แดงอีก ไม่เช่นนั้น ด้ามแบตเตอรี่อาจหลุดออกจากเครื่องมือทำให้คุณหรือคนรอบข้างได้รับบาดเจ็บ

⚠ ข้อควรระวัง: อย่าฝืนติดตั้งด้ามแบตเตอรี่โดยใช้แรงมากเกินไป หากด้ามแบตเตอรี่ไม่เลื่อนเข้าไปโดยง่าย แสดงว่าใส่ไม่ถูกต้อง

การระบุระดับพลังงานแบตเตอรี่ที่เหลืออยู่

กดปุ่ม ตรวจสอบ บนด้ามแบตเตอรี่เพื่อดูปริมาณแบตเตอรี่ที่เหลือ ไฟแสดงสถานะจะสว่างขึ้นเป็นเวลาสองสามวินาที

▶ **หมายเลข 2:** 1. ไฟแสดงสถานะ 2. ปุ่มตรวจสอบ

ไฟแสดงสถานะ			แบตเตอรี่ที่เหลือ
ไฟสว่าง	ดับ	กะพริบ	
■ ■ ■ ■	□ □ □ □	■ □ □ □	75% ถึง 100%
■ ■ ■ □	□ □ □ □	■ □ □ □	50% ถึง 75%
■ ■ □ □	□ □ □ □	■ □ □ □	25% ถึง 50%
■ □ □ □	□ □ □ □	■ □ □ □	0% ถึง 25%
■ □ □ □	□ □ □ □	■ □ □ □	ชาร์จไฟแบตเตอรี่
■ ■ □ □	□ □ □ □	■ □ □ □	แบตเตอรี่อาจจะเสีย

หมายเหตุ: ขึ้นอยู่กับสภาพการใช้งานและอุณหภูมิ โดยรอบ การแสดงสถานะอาจจะแตกต่างจากปริมาณแบตเตอรี่จริงเล็กน้อย

หมายเหตุ: ไฟแสดงสถานะดวงแรก (ซ้ายสุด) จะกะพริบเมื่อระบบป้องกันแบตเตอรี่ทำงาน

ระบบป้องกันเครื่องมือ/แบตเตอรี่

เครื่องมือมีระบบป้องกันเครื่องมือ/แบตเตอรี่ ระบบนี้จะตัดไฟที่ส่งไปยังมอเตอร์โดยอัตโนมัติเพื่อยืดอายุการใช้งานเครื่องมือและแบตเตอรี่ เครื่องมือจะหยุดทำงานระหว่างการใช้งานโดยอัตโนมัติ หากเครื่องมือหรือแบตเตอรี่อยู่ภายใต้สถานการณ์ต่อไปนี้

การป้องกันโอเวอร์โหลด

เมื่อเครื่องมือหรือแบตเตอรี่ทำงานในรูปแบบที่อาจจะดึงพลังงานไฟฟ้าสูงเกินไป เครื่องมือจะหยุดโดยอัตโนมัติโดยไม่มีแรงเตือนใดๆ ในกรณีนี้ ให้ปิดเครื่องมือและหยุดการใช้งานในลักษณะที่อาจทำให้เครื่องมือทำงานหนักเกินไป แล้วเปิดเครื่องมือเพื่อเริ่มการทำงานอีกครั้ง

การป้องกันความร้อนสูงเกิน

เมื่อเครื่องมือหรือแบตเตอรี่ที่มีความร้อนสูงเกินไป เครื่องมือจะหยุดทำงานโดยอัตโนมัติและจะมีไฟกะพริบ ในกรณีนี้ปล่อยให้เครื่องมือและแบตเตอรี่เย็นลงก่อนที่จะเปิดเครื่องมืออีกครั้ง

การป้องกันไฟหมด

เมื่อแบตเตอรี่มีระดับพลังงานไม่เพียงพอ เครื่องมือจะหยุดโดยอัตโนมัติ ในกรณีนี้ ให้ถอดแบตเตอรี่ออกจากเครื่องมือและนำแบตเตอรี่ไปชาร์จไฟ

การทำงานของสวิตช์

คำเตือน: ก่อนใส่สวิตช์แบตเตอรี่ลงในเครื่องมือ ให้ตรวจสอบว่าสวิตช์สั่งงานสามารถทำงานได้อย่างถูกต้องและกลับไปยังตำแหน่ง "ปิด" เมื่อปล่อย

ข้อควรระวัง: เมื่อไม่ใช้งานเครื่องมือ ให้กดปุ่มล๊อคสวิตช์สั่งงานจากด้าน **ก** เพื่อล๊อคสวิตช์สั่งงานในตำแหน่งปิด

▶ **หมายเลข 3:** 1. สวิตช์สั่งงาน 2. ปุ่มล๊อคสวิตช์สั่งงาน

เพื่อป้องกันไม่ให้สวิตช์สั่งงานถูกกดโดยไม่ตั้งใจจึงมีปุ่มล๊อคสวิตช์สั่งงานติดตั้งไว้ เมื่อต้องการเปิดใช้งานเครื่องมือให้กดปุ่มล๊อคสวิตช์สั่งงานจากด้าน A แล้วกดสวิตช์สั่งงานปล่อยสวิตช์สั่งงานเพื่อหยุดการทำงาน หลังจากใช้งานให้กดปุ่มล๊อคสวิตช์สั่งงานจากด้าน B

การเปลี่ยนความเร็ว

อัตราการหมุนและเจาะทะลุที่ปรับได้โดยการหมุนแป้นปรับ แป้นปรับจะมีระดับ 1 (ความเร็วต่ำสุด) ถึง 5 (ความเร็วสูงสุด)

▶ **หมายเลข 4:** 1. แป้นปรับ

โปรดดูความสัมพันธ์ระหว่างหมายเลขบนแป้นปรับกับอัตราการหมุนและการเจาะทะลุที่ในตารางด้านล่าง

หมายเลข	อัตราการหมุนต่อ นาที	อัตราการเจาะทะลุต่อ นาที
5	500	2900
4	470	2700
3	380	2150
2	290	1650
1	250	1450

ข้อควรระวัง: อย่าหมุนแป้นปรับขณะที่เครื่องมือกำลังทำงาน มิฉะนั้นอาจทำให้ไม่สามารถควบคุมเครื่องมือและได้รับบาดเจ็บสาหัสได้

ข้อสังเกต: หากเครื่องมือถูกใช้งานอย่างต่อเนื่องด้วยความเร็วต่ำเป็นเวลานาน มอเตอร์จะทำงานหนักเกินไปซึ่งทำให้เครื่องมือทำงานผิดปกติได้

ข้อสังเกต: สามารถหมุนแป้นปรับความเร็วได้สูงสุดที่หมายเลข 5 และหมุนกลับจนสุดที่หมายเลข 1 อย่าฝืนหมุนเลยหมายเลข 5 หรือ 1 ไม่เช่นนั้นฟังก์ชันการปรับความเร็วอาจไม่สามารถใช้งานได้อีกต่อไป

หมายเหตุ: ฟังก์ชันการหมุนเปล่ารอบเบา

เมื่อตั้งแป้นปรับความเร็วไว้ที่ "3" หรือมากกว่า เครื่องมือจะลดความเร็วลงที่ความเร็วหมุนเปล่าโดยอัตโนมัติเพื่อลดการสั่นสะเทือนภายใต้ความเร็วหมุนเปล่า

หลังจากที่เริ่มเจาะดอกสว่านเข้ากับคอนกรีต อัตราการเจาะจะแตกต่างกันที่จะเพิ่มขึ้นและเป็นไปตามตัวเลขที่แสดงในตาราง

เมื่ออุณหภูมิมีค่า เครื่องมืออาจจะไม่ทำงานตามฟังก์ชันนี้ แม้ว่ามอเตอร์จะหมุนอยู่ก็ตาม

การเปิดดวงไฟด้านหน้า

▶ **หมายเลข 5:** 1. ดวงไฟ

ข้อควรระวัง: อย่ามองเข้าไปในดวงไฟหรือจ้องดูแหล่งกำเนิดแสงโดยตรง

ดึงสวิตช์สั่งงานเพื่อเปิดไฟ ดวงไฟจะดับลงเมื่อปล่อยสวิตช์สั่งงาน ดวงไฟจะดับลงภายในเวลาประมาณ 10 วินาทีหลังจากปล่อยสวิตช์สั่งงาน

ข้อสังเกต: หากดวงไฟดับลงหลังการกะพริบสักครู่ เทคโนโลยีป้องกันการป้อนกลับอัตโนมัติจะไม่ทำงานอย่างเหมาะสม สอบถามศูนย์บริการของ Makita ในประเทศของคุณเพื่อรับการซ่อม

หมายเหตุ: ใช้ผ้าแห้งเพื่อเช็ดสิ่งสกปรกออกจากเลนส์ของดวงไฟ ระมัดระวังอย่าขีดข่วนเลนส์ของดวงไฟ ไม่เช่นนั้น อาจทำให้ส่องสว่างได้น้อยลง

การเลือกโหมดการทำงาน

ข้อสังเกต: อย่าหมุนปุ่มหมุนเปลี่ยนโหมดการทำงานในขณะที่เครื่องมือทำงาน เครื่องมือจะเสียหายได้

ข้อสังเกต: เพื่อหลีกเลี่ยงการสึกหรออย่างรวดเร็วของกลไกการเปลี่ยนโหมดการทำงาน ให้แน่ใจว่าปุ่มหมุนเปลี่ยนโหมดนั้นอยู่ตรงกับตำแหน่งใดตำแหน่งหนึ่งจากสามตำแหน่งอย่างแน่นอน

การหมุนพร้อมกระแทก

สำหรับการเจาะคอนกรีต อิฐปูน ฯลฯ ให้หมุนปุ่มหมุนเลือกโหมดการทำงานไปยังเครื่องหมาย **PIII** ใช้ดอกสว่านปลายคาร์ไบด์

- ▶ **หมายเลข 6:** 1. ปุ่มหมุนเปลี่ยนโหมดการทำงาน
2. ตัวชี้

การกระแทกอย่างเดี่ยว

สำหรับการสกัด กะเทาะ กระแทก ให้หมุนปุ่มหมุนเปลี่ยนโหมดการทำงานไปที่เครื่องหมาย **PI** ใช้ดอกสว่านปากแหลม ดอกสว่านปากแบน ดอกสว่านแบนใหญ่ ฯลฯ

- ▶ **หมายเลข 7:** 1. ตัวชี้ 2. ปุ่มหมุนเปลี่ยนโหมดการทำงาน

ตัวจำกัดแรงบิด

ข้อสังเกต: เมื่อตัวจำกัดรอบทำงาน ให้ปิดสวิตซ์เครื่องมือในทันที ทั้งนี้เพื่อช่วยป้องกันการสึกหรอก่อนกำหนดของเครื่องมือ

ข้อสังเกต: ดอกสว่าน เช่น เลื่อยเจาะรู มักขบหรือติดกับรูได้ง่าย และไม่เหมาะสำหรับเครื่องมือนี้ เนื่องจากจะทำให้ตัวจำกัดรอบทำงานบ่อยเกินไป

ตัวจำกัดแรงบิดจะทำงานเมื่อแรงบิดขึ้นไปถึงระดับหนึ่งมอเตอร์จะผลออกจากเพลาส่งกำลัง เมื่อเป็นเช่นนั้น ดอกสว่านจะหยุดหมุน

ระบบไฟฟ้า

อุปกรณ์ถูกติดตั้งด้วยระบบไฟฟ้าเพื่อให้ใช้งานได้ง่าย

ระบบควบคุมความเร็วคงที่

ระบบควบคุมความเร็วช่วยให้ระบบควบคุมความเร็วคงที่ได้ไม่ว่าจะอยู่ในสภาวะการทำงานใดๆ

ซอฟต์แวร์สตาร์ท

ฟังก์ชันซอฟต์แวร์จะลดอาการกระตุกขณะสตาร์ทเครื่องและทำให้เครื่องเริ่มทำงานได้อย่างราบรื่น

เทคโนโลยีป้องกันการป้อนกลับอัตโนมัติ

หากตัวเครื่องมือหมุนขึ้นมากะทันหันที่ความแรงที่ระบุไว้ อันเนื่องมาจากการลื่นดอกสว่าน มอเตอร์จะถูกบังคับให้หยุดเพื่อลดภาระของข้อมือ

หมายเหตุ: เทคโนโลยีป้องกันการป้อนกลับอัตโนมัติจะไม่ทำงานหากความแรงไม่ถึงระดับที่ระบุไว้

หมายเหตุ: อีกทั้งเทคโนโลยีป้องกันการป้อนกลับอัตโนมัติ จะทำงานเมื่อดอกสว่านหมุนด้วยความแรงที่ระบุไว้ในการทำงานใดๆ

ในกรณีนี้ให้ปล่อยสวิตซ์สั่งงาน จากนั้นกดสวิตซ์สั่งงานเพื่อสตาร์ทเครื่องมืออีกครั้ง

เบรกไฟฟ้า

เครื่องมือนี้มีเบรกไฟฟ้า หากเครื่องมือไม่สามารถหยุดได้อย่างรวดเร็วหลังจากปล่อยสวิตซ์สั่งงาน ให้นำเครื่องมือไปรับการซ่อมที่ศูนย์บริการของ Makita

การประกอบ

⚠ ข้อควรระวัง: ตรวจสอบให้แน่ใจว่าได้ปิดสวิตซ์เครื่องมือและถอดปลั๊กแบตเตอรี่ออกก่อนดำเนินการใดๆ กับเครื่องมือ

มือจับด้านข้าง

- ▶ **หมายเลข 8**

⚠ ข้อควรระวัง: ใช้มือจับด้านข้างเมื่อทำการสกัดกะเทาะ และทำลายเท่านั้น อย่าใช้มือจับด้านข้างเมื่อทำการเจาะคอนกรีต อิฐ ฯลฯ เนื่องจากจะไม่สามารถจับเครื่องมือได้อย่างถนัดด้วยมือจับด้านข้างในการเจาะ

- ▶ **หมายเลข 9:** 1. มือจับด้านข้าง 2. น็อตกันคลายมือจับด้านข้างสามารถปรับหมุนในแนวตั้งได้และยึดแน่นในตำแหน่งที่ต้องการ อีกทั้งยังสามารถปรับเลื่อนไปด้านหลังและหลังในแนวนอนได้แปดระดับ คลายน็อตกันคลายเพื่อปรับมือจับด้านข้างไปยังตำแหน่งที่ต้องการ จากนั้นขันน็อตกันคลายให้แน่น

ด้ามจับด้านข้าง (มือจับเสริม)

⚠ ข้อควรระวัง: ใช้ด้ามจับด้านข้างเสมอ เพื่อความปลอดภัยในการใช้งาน

⚠ ข้อควรระวัง: หลังจากติดตั้งหรือปรับด้ามจับด้านข้าง ตรวจสอบให้แน่ใจว่าด้ามจับด้านข้างได้ยึดไว้อย่างแน่นหนา

ด้ามจับด้านข้างสามารถเลื่อนไปได้ ทำให้จับเครื่องมือได้ง่ายในทุกตำแหน่ง คลายด้ามจับด้านข้างโดยการหมุนด้ามจับทวนเข็มนาฬิกา แล้วเลื่อนไปยังตำแหน่งที่ต้องการ จากนั้นยึดให้แน่นโดยการหมุนด้ามจับตามเข็มนาฬิกา

▶ **หมายเลข 10:** 1. ด้ามจับด้านข้าง

การติดตั้งหรือถอดดอกสว่าน

จาระบี

ทำความสะอาดปลายก้านของดอกสว่านแล้วทาจาระบีก่อนทำการติดตั้งดอกสว่าน

ทาเคลือบปลายก้านของดอกสว่านเอาไว้ก่อนด้วยจาระบีในปริมาณเล็กน้อย (ประมาณ 0.5 - 1 g) การหล่อลื่นจะช่วยให้เครื่องมือทำงานได้ราบรื่นยิ่งขึ้นและช่วยยืดอายุการใช้งานของเครื่องมือด้วย

▶ **หมายเลข 11:** 1. ปลายก้าน 2. จาระบี

ใส่ดอกสว่านลงในเครื่องมือ หมุนดอกสว่านแล้วดันลงไปจนกว่าจะเข้าที่

หลังจากใส่แล้ว ให้ตรวจสอบให้แน่ใจทุกครั้งว่าดอกสว่านถูกยึดอยู่ในตำแหน่งอย่างมั่นคงด้วยการลองพยายามดึงดอกสว่านออก

▶ **หมายเลข 12:** 1. ดอกสว่าน

เมื่อต้องการถอดดอกสว่าน ให้ดึงฝาครอบหัวจับลงจนสุดและดึงดอกสว่านออก

▶ **หมายเลข 13:** 1. ดอกสว่าน 2. ฝาครอบหัวจับ

มุมดอกสว่าน (เมื่อทำการสกัด กะเทาะ หรือ กระแทก)

ดอกสว่านสามารถปรับมุมได้ตามต้องการ เมื่อต้องการเปลี่ยนมุมดอกสว่าน ให้หมุนปุ่มหมุนเปลี่ยนโหมดการทำงานไปที่เครื่องหมาย ๕๒ หมุนดอกสว่านไปยังมุมที่ต้องการ

▶ **หมายเลข 14:** 1. ปุ่มหมุนเปลี่ยนโหมดการทำงาน 2. ตัวชี้

หมุนปุ่มหมุนเปลี่ยนโหมดการทำงานไปที่เครื่องหมาย ๓ จากนั้นตรวจสอบให้แน่ใจว่าดอกสว่านนั้นถูกยึดเข้าที่อย่างแน่นหนาด้วยการหมุนเบาๆ

เกจวัดความลึก

เกจวัดความลึกทำให้สะดวกในการเจาะรูที่มีความลึกเท่ากัน กดปุ่มล๊อคค้างไว้ จากนั้นใส่เกจวัดความลึกเข้าไปในรูหกเหลี่ยม

▶ **หมายเลข 15:** 1. เกจวัดความลึก 2. ปุ่มล๊อค

ตรวจสอบให้แน่ใจว่าด้านที่มีร่องของเกจวัดความลึกหันไปตรงกับเครื่องหมาย

▶ **หมายเลข 16:** 1. เครื่องหมาย 2. ด้านที่มีร่อง

ปรับเกจวัดความลึกโดยการเลื่อนไปมาในขณะที่กดปุ่มล๊อคเอาไว้ หลังจากการปรับแล้ว ให้ปล่อยปุ่มล๊อคเพื่อล๊อคเกจวัดความลึก

หมายเหตุ: ตรวจสอบให้แน่ใจว่าเกจวัดความลึกไม่สัมผัสกับตัวเครื่องหลักขณะติดตั้ง

อุปกรณ์ต่อพ่วงเครื่องดูดฝุ่น

อุปกรณ์เสริม

การติดตั้งอุปกรณ์ต่อพ่วงเครื่องดูดฝุ่น

1. คลายด้ามจับด้านข้างของเครื่องมือ
2. ติดตั้งฝาครอบฝุ่นโดยให้เขี้ยวของฝาครอบฝุ่นลงร่องที่อยู่ระหว่างเครื่องมือและด้ามจับด้านข้าง

▶ **หมายเลข 17:** 1. ฝาครอบฝุ่น 2. เขี้ยว 3. ร่อง

3. ชันด้ามจับด้านข้างให้แน่น

4. ติดตั้งท่อยึดหรือตัวต่อฝาครอบฝุ่นที่เหมาะสมกับงานของคุณ เมื่อคุณใช้ท่อยึด ให้ติดตั้งข้อต่อไว้ที่ด้านบน เมื่อคุณต่อข้อชนท่อยึด ให้ใช้ข้อต่อในการเชื่อมต่อ

▶ **หมายเลข 18:** 1. ตัวต่อฝาครอบฝุ่น 2. ฝาครอบฝุ่น 3. ข้อต่อ 4. ท่อยึด

การเชื่อมต่อเครื่องมือเข้ากับที่ดูดฝุ่น

1. ติดตั้งข้อต่อที่ยึดเข้ากับเครื่องมือ จากนั้นติดตั้งที่ยึดท่อเข้ากับข้อต่อที่ยึด

▶ **หมายเลข 19:** 1. ข้อต่อที่ยึด 2. ที่ยึดท่อ

หมายเหตุ: สามารถยึดข้อต่อยึดท่อไว้ที่ด้านใดด้านหนึ่งของเครื่องมือ

⚠ คำเตือน: ใช้ส่วนที่ยึดของเครื่องมือเพื่อการติดตั้งข้อต่อที่ยึดเท่านั้น

การใช้ส่วนที่ยึดเพื่อวัตถุประสงค์อื่นโดยอาจทำให้เกิดอุบัติเหตุอย่างไม่ตั้งใจได้

2. ยึดท่อไว้กับที่ยึดท่อ

▶ **หมายเลข 20:** 1. ที่ยึดท่อ

หมายเหตุ: ใช้ข้อต่อเบอร์ 25 เพื่อเชื่อมต่อท่อและฝาครอบฝุ่นเมื่อจำเป็น

การใช้เกจวัดความลึกในการเจาะ

เมื่อคุณต่อข้อต่อที่ยึดสองอัน ให้ติดตั้งคานต่อเกจวัดความลึกเข้ากับเกจวัดความลึก

▶ **หมายเลข 21:** 1. คานต่อเกจวัดความลึก

อุปกรณ์ต่อพ่วงเครื่องดูดฝุ่น (สำหรับการตอกเท่านั้น)

อุปกรณ์เสริม

1. ติดตั้งที่ยึดท่อ (A/B)

เมื่อติดตั้งมือจับด้านข้างเข้ากับเครื่องมือ ให้คลายน็อตกันคลาย แล้วถอดสลักเกลียวหกเหลี่ยมออก ติดตั้งที่ยึดท่อ (A) ระหว่างสลักเกลียวหกเหลี่ยมและน็อตกันคลายโดยการขันน็อตกันคลายให้แน่น

▶ **หมายเลข 22:** 1. สลักเกลียวหกเหลี่ยม 2. ที่ยึดท่อ (A) 3. น็อตกันคลาย

เมื่อติดตั้งด้ามจับด้านข้างเข้ากับเครื่องมือ ให้คลายด้ามจับด้านข้าง ติดตั้งที่ยึดท่อ (B) เข้ากับเพลลา จากนั้นขันด้ามจับด้านข้างให้แน่น

▶ **หมายเลข 23:** 1. ที่ยึดท่อ (B) 2. เพลลา 3. ด้ามจับด้านข้าง

2. ติดตั้งข้อต่อที่ยึดเข้ากับเครื่องมือ จากนั้นติดตั้งที่ยึดท่อ (C) เข้ากับข้อต่อที่ยึด

▶ **หมายเลข 24:** 1. ข้อต่อที่ยึด 2. ที่ยึดท่อ (C)

หมายเหตุ: สามารถยึดข้อต่อที่ยึดท่อไว้ที่ด้านใดด้านหนึ่งของเครื่องมือ

คำเตือน: ใช้ส่วนที่ยึดของเครื่องมือเพื่อการติดตั้งข้อต่อที่ยึดเท่านั้น

การใช้ส่วนที่ยึดเพื่อวัตถุประสงค์อื่นโดยอาจทำให้เกิดอุบัติเหตุอย่างไม่ตั้งใจได้

3. ติดตั้งฝาครอบฝุ่นและท่อเข้ากับเครื่องมือ จากนั้นยึดท่อไว้กับที่ยึดท่อ

▶ **หมายเลข 25:** 1. ฝาครอบฝุ่น 2. ท่อ 3. ที่ยึดท่อ (A/B) 4. ที่ยึดท่อ (C)

4. เชื่อมต่อท่อเข้ากับท่อของที่ดูดฝุ่นด้วยข้อต่อท่อ

หมายเหตุ: หากไม่มีท่อมาให้ ให้ติดตั้งฝาครอบฝุ่นเข้ากับท่อของที่ดูดฝุ่น หรือติดตั้งเข้ากับท่อ Ø28 ของ Makita

5. ปรับระยะระหว่างฝาครอบฝุ่นและปลายของดอกสกัดหรือดอกสกัดปากแหลม ระยะห่างที่แนะนำคือ 30 mm ถึง 100 mm

▶ **หมายเลข 26:** (1) 30 mm ถึง 100 mm

การใช้งาน

⚠ ข้อควรระวัง: ใช้มือจับด้านข้าง/ด้ามจับด้านข้าง (มือจับเสริม) เสมอ และจับเครื่องมือให้แน่นด้วยมือจับด้านข้าง/ด้ามจับด้านข้าง และมือจับสวิตช์ในระหว่างการใช้งาน

⚠ ข้อควรระวัง: ตรวจสอบให้แน่ใจทุกครั้งว่าชิ้นงานถูกยึดไว้ดีแล้วก่อนการใช้งาน การไม่ยึดชิ้นงานไว้ให้แน่นหนาอาจทำให้ชิ้นงานเลื่อนและส่งผลให้เกิดการบาดเจ็บ

⚠ ข้อควรระวัง: อย่าฝืนดึงเครื่องมือแม้ว่าดอกสว่านจะติดอยู่ก็ตาม การสูญเสียความควบคุมอาจทำให้ได้รับบาดเจ็บได้


⚠ ข้อควรระวัง: อย่าเสียบเครื่องมือทิ้งไว้กับชิ้นงาน มิฉะนั้น เครื่องมืออาจเริ่มทำงานโดยไม่ได้ตั้งใจและทำให้ได้รับบาดเจ็บได้

หมายเหตุ: หากดัลล์แบตเตอรี่อยู่ในที่มีอุณหภูมิต่ำ เครื่องมืออาจทำงานได้ไม่เต็มที่ ในกรณีนี้ ให้อุ่นดัลล์แบตเตอรี่โดยการใช้งานเครื่องมือหมუნเปลา่สักครู่เพื่อให้เครื่องมือทำงานได้อย่างเต็มที่

▶ **หมายเลข 27**

การใช้งานการเจาะกระแทก

⚠ ข้อควรระวัง: จะเกิดแรงบิดบนเครื่องมือ/ดอกสว่านอย่างมหาศาลทันทีเมื่อเจาะรูจนทะลุ เมื่อมีเศษวัสดุอุดตันที่รู หรือเมื่อปะทะกับเหล็กเสริมในคอนกรีต ใช้ด้ามจับด้านข้าง (มือจับเสริม) เสมอ และจับเครื่องมือให้แน่นด้วยด้ามจับด้านข้างและมือจับสวิตช์ในระหว่างการใช้งาน การไม่ปฏิบัติตามขั้นตอนดังกล่าวอาจทำให้ไม่สามารถควบคุมเครื่องมือและได้รับบาดเจ็บรุนแรง

เลื่อนปุ่มหมუნเปลี่ยนโหมดการทำงานไปที่เครื่องหมาย  จัดแนวดอกสว่านในตำแหน่งที่ต้องการเจาะ จากนั้นดึงสวิตช์สั่งงาน อย่าฝืนใช้เครื่องมือ การใช้แรงกดเบาๆ จะให้ผลดีที่สุด จับเครื่องมือให้อยู่ในตำแหน่งและป้องกันไม่ให้เครื่องมือสั่นหลุดออกมาจากรูที่จะเจาะ

ห้ามใช้แรงกดมากขึ้นเมื่อมีเศษโลหะหรือวัสดุอุดตันที่รู ให้ใช้งานเครื่องมือที่รอบเดินเบาแทน จากนั้นดึงดอกสว่านบางส่วนออกมาจากรู การทำแบบนี้ซ้ำหลายๆ ครั้งจะทำให้รูสะอาด และสามารถทำการเจาะได้ตามปกติ

หมายเหตุ: การเยื้องศูนย์ในการหมุนดอกสว่านอาจเกิดขึ้นในระหว่างทำงานโดยไม่มีการการทำงาน เครื่องมือจะตั้งศูนย์ให้อีกในระหว่างการทำงาน ซึ่งจะไม่ส่งผลต่อความแม่นยำในการเจาะ

การสกัด/กะเทาะ/กระแทก

เลื่อนปุ่มหมุนเปลี่ยนโหมดการทำงานไปที่เครื่องหมาย T จับเครื่องมือให้มันทั้งสองมือ เปิดใช้งานเครื่องมือและใช้แรงกดบนเครื่องมือเล็กน้อยเพื่อให้เครื่องมือไม่ติดกลับจนไม่สามารถควบคุมได้ การกดเครื่องมืออย่างแรงไม่ได้เป็นการเพิ่มประสิทธิภาพของเครื่องมือ

▶ **หมายเลข 28**

กระเปาะยางเป่าลม

อุปกรณ์เสริม

หลังการเจาะรู ใช้กระเปาะยางเป่าลมเพื่อเป่าฝุ่นออกจากรู

▶ **หมายเลข 29**

ฟังก์ชันสั่งงานด้วยสัญญาณไร้สาย

อุปกรณ์เสริม

คุณสามารถทำอะไรกับฟังก์ชันสั่งงานด้วยสัญญาณไร้สายนี้ได้บ้าง

ฟังก์ชันสั่งงานด้วยสัญญาณไร้สายจะทำให้คุณสามารถใช้งานได้สะดวกสบายและสะอาดเรียบร้อย เมื่อเชื่อมต่อกับที่ดูดฝุ่นที่รองรับเข้ากับเครื่องมือ คุณสามารถทำให้ที่ดูดฝุ่นทำงานได้อย่างอัตโนมัติตามการควบคุมด้วยสวิทช์ของเครื่องมือ

▶ **หมายเลข 30**

การใช้ฟังก์ชันสั่งงานด้วยสัญญาณไร้สาย ให้เตรียมอุปกรณ์ดังต่อไปนี้:

- อุปกรณ์รับส่งสัญญาณไร้สาย (อุปกรณ์เสริม)
- ที่ดูดฝุ่นที่รองรับฟังก์ชันสั่งงานด้วยสัญญาณไร้สาย

ต่อไปนี้เป็นคำอธิบายการตั้งค่าฟังก์ชันสั่งงานด้วยสัญญาณไร้สายแบบย่อ ดูการดำเนินการอย่างละเอียดได้ในแต่ละส่วน

1. การติดตั้งอุปกรณ์รับส่งสัญญาณไร้สาย

2. การบันทึกเครื่องมือสำหรับที่ดูดฝุ่น
3. การเริ่มฟังก์ชันสั่งงานด้วยสัญญาณไร้สาย

การติดตั้งอุปกรณ์รับส่งสัญญาณไร้สาย

อุปกรณ์เสริม

⚠ ข้อควรระวัง: วางเครื่องมือบนพื้นผิวที่ราบเรียบและมั่นคงขณะทำการติดตั้งอุปกรณ์รับส่งสัญญาณไร้สาย

ข้อสังเกต: ทำความสะอาดฝุ่นและสิ่งสกปรกที่ติดอยู่บนเครื่องมือก่อนติดตั้งอุปกรณ์รับส่งสัญญาณไร้สาย ฝุ่นและสิ่งสกปรกอาจทำให้เครื่องมือทำงานผิดปกติ หากเข้าไปในช่องเสียบของอุปกรณ์รับส่งสัญญาณไร้สาย

ข้อสังเกต: เพื่อป้องกันการทำงานผิดปกติที่เกิดจากไฟฟ้าสถิต ให้สัมผัสกับวัสดุที่ปล่อยไฟฟ้าสถิต เช่น ส่วนที่เป็นโลหะของเครื่องมือก่อนหยิบอุปกรณ์รับส่งสัญญาณไร้สาย

ข้อสังเกต: เมื่อทำการติดตั้งอุปกรณ์รับส่งสัญญาณไร้สาย ตรวจสอบให้แน่ใจว่าอุปกรณ์รับส่งสัญญาณไร้สายถูกใส่เข้าไปในทิศทางที่ถูกต้องและปิดฝาปิดสนิทแล้ว

1. เปิดฝาปิดบนเครื่องมือดังที่แสดงในภาพ

▶ **หมายเลข 31:** 1. ฝาปิด

2. ใส่อุปกรณ์รับส่งสัญญาณไร้สายเข้าไปในช่องเสียบจากนั้นปิดฝาปิด

เมื่อใส่อุปกรณ์รับส่งสัญญาณไร้สายแล้ว ให้จัดตำแหน่งให้ส่วนที่ยื่นออกมาตรงกับส่วนที่ถอยเข้าไปบนช่องเสียบ

▶ **หมายเลข 32:** 1. อุปกรณ์รับส่งสัญญาณไร้สาย 2. ส่วนที่ยื่นออกมา 3. ฝาปิด 4. ส่วนที่ถอยเข้าไป

เมื่อต้องการถอดอุปกรณ์รับส่งสัญญาณไร้สายออก ให้เปิดฝาดอกซ้าๆ ขอเกี่ยวที่ด้านหลังของฝาปิดจะยกอุปกรณ์รับส่งสัญญาณไร้สายในขณะที่คุณดึงฝาปิดขึ้น

▶ **หมายเลข 33:** 1. อุปกรณ์รับส่งสัญญาณไร้สาย 2. ขอเกี่ยว 3. ฝาปิด

หลังจากถอดอุปกรณ์รับส่งสัญญาณไร้สายออกแล้ว ให้เก็บไว้ใกล้กล่องที่หิม่าหรือในภาชนะที่ปลอดภัย

ข้อสังเกต: ใช้ขอเกี่ยวที่ด้านหลังของฝาปิดเมื่อต้องการถอดอุปกรณ์รับส่งสัญญาณไร้สายเสมอ หากขอเกี่ยวไม่เกี่ยวกับอุปกรณ์รับส่งสัญญาณไร้สาย ให้ปิดฝาปิดให้สนิทแล้วเปิดอีกครั้งซ้ำๆ

การบันทึกเครื่องมือสำหรับที่ดูดฝุ่น

หมายเหตุ: ที่ดูดฝุ่นของ Makita ที่รองรับฟังก์ชันสั่งงานด้วยสัญญาณไร้สายจำเป็นต้องมีการบันทึกเครื่องมือ

หมายเหตุ: ติดตั้งอุปกรณ์รับส่งสัญญาณไร้สายเข้ากับเครื่องมือให้เรียบร้อยก่อนเริ่มบันทึกเครื่องมือ

หมายเหตุ: ระหว่างการบันทึกเครื่องมือ อย่าดึงสวิตช์สั่งงานหรือเปิดสวิตช์ไฟบนที่ดูดฝุ่น

หมายเหตุ: โปรดดูคู่มือการใช้งานที่ดูดฝุ่นร่วมด้วย

หากคุณต้องการสั่งงานที่ดูดฝุ่นตามการควบคุมด้วยสวิตช์ของเครื่องมือ ให้บันทึกเครื่องมือให้เสร็จสิ้นก่อน

1. ติดตั้งแบตเตอรี่เข้ากับที่ดูดฝุ่นและเครื่องมือ

2. ตั้งสวิตช์เตรียมพร้อมบนที่ดูดฝุ่นเป็น "AUTO"

▶ **หมายเลข 34:** 1. สวิตช์เตรียมพร้อม

3. กดปุ่มสั่งงานด้วยสัญญาณไร้สายบนที่ดูดฝุ่นค้างไว้ประมาณ 3 วินาที จนกระทั่งดวงไฟแสดงการสั่งงานด้วยสัญญาณไร้สายกะพริบเป็นสีเขียว จากนั้นกดปุ่มสั่งงานด้วยสัญญาณไร้สายบนเครื่องมือในลักษณะเดียวกัน

▶ **หมายเลข 35:** 1. ปุ่มสั่งงานด้วยสัญญาณไร้สาย
2. ดวงไฟแสดงการสั่งงานด้วยสัญญาณไร้สาย

หากที่ดูดฝุ่นและเครื่องมือเชื่อมต่อกันเรียบร้อยแล้ว ดวงไฟแสดงการสั่งงานด้วยสัญญาณไร้สายจะสว่างเป็นสีเขียวเป็นเวลา 2 วินาที และจะเริ่มกะพริบเป็นสีฟ้า

หมายเหตุ: ดวงไฟแสดงการสั่งงานด้วยสัญญาณไร้สายจะกะพริบเป็นสีเขียวหลังผ่านไป 20 วินาที กดปุ่มสั่งงานด้วยสัญญาณไร้สายบนเครื่องมือในขณะที่ดวงไฟแสดงการสั่งงานด้วยสัญญาณไร้สายบนที่ดูดฝุ่นกำลังกะพริบอยู่ หากดวงไฟแสดงการสั่งงานด้วยสัญญาณไร้สายไม่กะพริบเป็นสีเขียว ให้ดันปุ่มสั่งงานด้วยสัญญาณไร้สายสักครู่ และกดลงไปอีกครั้ง

หมายเหตุ: เมื่อต้องการดำเนินการบันทึกเครื่องมือสองเครื่องขึ้นไปสำหรับที่ดูดฝุ่นเครื่องเดียว ให้บันทึกเครื่องมือทีละเครื่อง

การเริ่มฟังก์ชันสั่งงานด้วยสัญญาณไร้สาย

หมายเหตุ: บันทึกเครื่องมือสำหรับที่ดูดฝุ่นให้เสร็จสิ้นก่อนการสั่งงานด้วยสัญญาณไร้สาย

หมายเหตุ: โปรดดูคู่มือการใช้งานที่ดูดฝุ่นร่วมด้วย

หลังจากบันทึกเครื่องมือเข้ากับที่ดูดฝุ่นแล้ว ที่ดูดฝุ่นจะทำงานตามการควบคุมด้วยสวิตช์ของเครื่องมือโดยอัตโนมัติ

1. ติดตั้งอุปกรณ์รับส่งสัญญาณไร้สายเข้ากับเครื่องมือ

2. เชื่อมต่อท่อของที่ดูดฝุ่นเข้ากับเครื่องมือ

▶ **หมายเลข 36**

3. ตั้งสวิตช์เตรียมพร้อมบนที่ดูดฝุ่นเป็น "AUTO"

▶ **หมายเลข 37:** 1. สวิตช์เตรียมพร้อม

4. ดันปุ่มสั่งงานด้วยสัญญาณไร้สายบนเครื่องมือไว้สักครู่ ดวงไฟแสดงการสั่งงานด้วยสัญญาณไร้สายจะกะพริบเป็นสีฟ้า

▶ **หมายเลข 38:** 1. ปุ่มสั่งงานด้วยสัญญาณไร้สาย
2. ดวงไฟแสดงการสั่งงานด้วยสัญญาณไร้สาย

5. ตั้งสวิตช์สั่งงานของเครื่องมือ ตรวจสอบว่าที่ดูดฝุ่นทำงานในขณะที่สวิตช์สั่งงานถูกดึงไว้

การหยุดการสั่งงานด้วยสัญญาณไร้สายของที่ดูดฝุ่นให้ดันปุ่มสั่งงานด้วยสัญญาณไร้สายบนเครื่องมือ

หมายเหตุ: ดวงไฟแสดงการสั่งงานด้วยสัญญาณไร้สายบนเครื่องมือจะหยุดกะพริบเป็นสีฟ้าเมื่อไม่มีการใช้งานเป็นเวลา 2 ชั่วโมง ในกรณีนี้ให้ตั้งสวิตช์เตรียมพร้อมบนที่ดูดฝุ่นไปที่ "AUTO" จากนั้นดันปุ่มสั่งงานด้วยสัญญาณไร้สายบนเครื่องมืออีกครั้ง

หมายเหตุ: ที่ดูดฝุ่นจะเริ่มหยุดทำงานล่าช้าเล็กน้อย ในขณะที่ที่ดูดฝุ่นตรวจจับการควบคุมด้วยสวิตช์ของเครื่องมือจะมีความล่าช้าเกิดขึ้นเล็กน้อย

หมายเหตุ: ระยะเวลาการส่งสัญญาณของอุปกรณ์รับส่งสัญญาณไร้สายอาจแตกต่างกันไปขึ้นอยู่กับสถานที่และสภาวะแวดล้อม

หมายเหตุ: เมื่อมีการบันทึกเครื่องมือสองเครื่องขึ้นไปกับที่ดูดฝุ่นเครื่องเดียว ที่ดูดฝุ่นอาจเริ่มทำงานแม้ว่าคุณจะยังไม่ได้ตั้งสวิตช์สั่งงาน เนื่องจากอาจมีผู้ใช้คนอื่นกำลังใช้ฟังก์ชันสั่งงานด้วยสัญญาณไร้สายอยู่

คำอธิบายสถานะดวงไฟแสดงการสั่งงานด้วยสัญญาณไร้สาย

- **หมายเลข 39:** 1. ดวงไฟแสดงการสั่งงานด้วยสัญญาณไร้สาย

ดวงไฟแสดงการสั่งงานด้วยสัญญาณไร้สายจะแสดงสถานะของฟังก์ชันสั่งงานด้วยสัญญาณไร้สาย หมายความว่าสถานะดวงไฟได้ที่ตารางด้านล่าง

สถานะ	ดวงไฟแสดงการสั่งงานด้วยสัญญาณไร้สาย				คำอธิบาย
	สี	<input type="checkbox"/> สว่าง	<input checked="" type="checkbox"/> กระพริบ	ระยะเวลา	
เตรียมพร้อม	สีฟ้า	<input checked="" type="checkbox"/>		2 ชั่วโมง	สามารถใช้การสั่งงานด้วยสัญญาณไร้สายของที่ดูดฝุ่นได้ ดวงไฟจะดับตลอดโหมดเมื่อไม่มีการใช้งานเป็นเวลา 2 ชั่วโมง
		<input type="checkbox"/>		เมื่อเครื่องมือกำลังทำงาน	สามารถใช้การสั่งงานด้วยสัญญาณไร้สายของที่ดูดฝุ่นได้และเครื่องมือกำลังทำงานอยู่
การบันทึกเครื่องมือ	สีเขียว	<input checked="" type="checkbox"/>		20 วินาที	พร้อมสำหรับการบันทึกเครื่องมือ รอกการบันทึกโดยที่ดูดฝุ่น
		<input type="checkbox"/>		2 วินาที	การบันทึกเครื่องมือเสร็จสิ้นแล้ว ดวงไฟแสดงการสั่งงานด้วยสัญญาณไร้สายจะเริ่มกะพริบเป็นสีฟ้า
การยกเลิกการบันทึกเครื่องมือ	สีแดง	<input checked="" type="checkbox"/>		20 วินาที	พร้อมสำหรับการยกเลิกการบันทึกเครื่องมือ รอกการยกเลิกโดยที่ดูดฝุ่น
		<input type="checkbox"/>		2 วินาที	การยกเลิกการบันทึกเครื่องมือเสร็จสิ้นแล้ว ดวงไฟแสดงการสั่งงานด้วยสัญญาณไร้สายจะเริ่มกะพริบเป็นสีฟ้า
อื่นๆ	สีแดง	<input type="checkbox"/>		3 วินาที	ไฟฟ้าจะถูกจ่ายไปยังอุปกรณ์รับส่งสัญญาณไร้สายและฟังก์ชันสั่งงานด้วยสัญญาณไร้สายจะเริ่มทำงาน
	ดับ	-		-	การสั่งงานด้วยสัญญาณไร้สายของที่ดูดฝุ่นจะหยุดทำงาน

การยกเลิกการบันทึกเครื่องมือสำหรับที่ดูดฝุ่น

เมื่อต้องการยกเลิกการบันทึกเครื่องมือสำหรับที่ดูดฝุ่น ให้ดำเนินการตามขั้นตอนดังต่อไปนี้

1. ดัดตั้งแบตเตอรี่เข้ากับที่ดูดฝุ่นและเครื่องมือ
 2. ตั้งสวิทช์เตรียมพร้อมบนที่ดูดฝุ่นเป็น "AUTO"
- **หมายเลข 40:** 1. สวิตช์เตรียมพร้อม
3. กดปุ่มสั่งงานด้วยสัญญาณไร้สายบนที่ดูดฝุ่นค้างไว้ประมาณ 6 วินาที ดวงไฟแสดงการสั่งงานด้วยสัญญาณไร้สายจะกะพริบเป็นสีเขียว จากนั้นจะเปลี่ยนเป็นสีแดง หลังจากนั้นให้กดปุ่มสั่งงานด้วยสัญญาณไร้สายบนเครื่องมือในลักษณะเดียวกัน

- **หมายเลข 41:** 1. ปุ่มสั่งงานด้วยสัญญาณไร้สาย
2. ดวงไฟแสดงการสั่งงานด้วยสัญญาณไร้สาย

หากดำเนินการยกเลิกเสร็จสิ้นแล้ว ดวงไฟแสดงการสั่งงานด้วยสัญญาณไร้สายจะสว่างขึ้นเป็นสีแดงประมาณ 2 วินาที และจะเริ่มกะพริบเป็นสีฟ้า

หมายเหตุ: ดวงไฟแสดงการสั่งงานด้วยสัญญาณไร้สายจะหยุดกะพริบเป็นสีแดงหลังผ่านไป 20 วินาที กดปุ่มสั่งงานด้วยสัญญาณไร้สายบนเครื่องมือในขณะที่ดวงไฟแสดงการสั่งงานด้วยสัญญาณไร้สายบนที่ดูดฝุ่นกำลังกะพริบอยู่ หากดวงไฟแสดงการสั่งงานด้วยสัญญาณไร้สายไม่กะพริบเป็นสีแดง ให้ดันปุ่มสั่งงานด้วยสัญญาณไร้สายสักครู่ แล้วคลิกอีกครั้ง

การแก้ไขปัญหาสำหรับฟังก์ชันสั่งงานด้วยสัญญาณไร้สาย

ก่อนนำไปซ่อม ให้ทำการตรวจสอบด้วยตัวเองก่อน หากพบปัญหาที่ไม่มีอธิบายในคู่มือการใช้งาน อย่าพยายามถอดแยกเครื่องมือ แต่ให้นำไปซ่อมที่ศูนย์บริการหรือโรงงานที่ผ่านการรับรองจาก Makita และใช้ชิ้นส่วนอะไหล่ของ Makita

สถานะความผิดปกติ	สาเหตุที่เป็นไปได้ (การทำงานผิดปกติ)	การแก้ไข
ดวงไฟแสดงการสั่งงานด้วยสัญญาณไร้สายไม่สว่าง/กะพริบ	อุปกรณ์รับส่งสัญญาณไร้สายไม่ถูกติดตั้งลงในเครื่องมือ	ติดตั้งอุปกรณ์รับส่งสัญญาณไร้สายให้ถูกต้อง
	อุปกรณ์รับส่งสัญญาณไร้สายไม่ถูกติดตั้งลงในเครื่องมืออย่างถูกต้อง	
	ขั้วต่อของอุปกรณ์รับส่งสัญญาณไร้สายและ/หรือช่องเสียบสกรู	ค่อยๆ เช็ดฝุ่นและสิ่งสกปรกบนขั้วต่อของอุปกรณ์รับส่งสัญญาณไร้สายและทำความสะอาดช่องเสียบ
	ปุ่มสั่งงานด้วยสัญญาณไร้สายบนเครื่องมือยังไม่ถูกดันเข้าไป	ดันปุ่มสั่งงานด้วยสัญญาณไร้สายบนเครื่องมือไว้สักครู่
	สวิตช์เตรียมพร้อมบนที่ดูดฝุ่นไม่ได้ถูกตั้งเป็น "AUTO"	ตั้งสวิตช์เตรียมพร้อมบนที่ดูดฝุ่นเป็น "AUTO"
	ไม่มีการจ่ายไฟฟ้า	จ่ายไฟฟ้าให้เครื่องมือและที่ดูดฝุ่น
ไม่สามารถเสร็จสิ้นการบันทึกเครื่องมือ / การยกเลิกการบันทึกเครื่องมือได้สำเร็จ	อุปกรณ์รับส่งสัญญาณไร้สายไม่ถูกติดตั้งลงในเครื่องมือ	ติดตั้งอุปกรณ์รับส่งสัญญาณไร้สายให้ถูกต้อง
	อุปกรณ์รับส่งสัญญาณไร้สายไม่ถูกติดตั้งลงในเครื่องมืออย่างถูกต้อง	
	ขั้วต่อของอุปกรณ์รับส่งสัญญาณไร้สายและ/หรือช่องเสียบสกรู	ค่อยๆ เช็ดฝุ่นและสิ่งสกปรกบนขั้วต่อของอุปกรณ์รับส่งสัญญาณไร้สายและทำความสะอาดช่องเสียบ
	สวิตช์เตรียมพร้อมบนที่ดูดฝุ่นไม่ได้ถูกตั้งเป็น "AUTO"	ตั้งสวิตช์เตรียมพร้อมบนที่ดูดฝุ่นเป็น "AUTO"
	ไม่มีการจ่ายไฟฟ้า	จ่ายไฟฟ้าให้เครื่องมือและที่ดูดฝุ่น
	การทำงานไม่ถูกต้อง	ดันปุ่มสั่งงานด้วยสัญญาณไร้สายไว้สักครู่ จากนั้นดำเนินการขั้นตอนการบันทึก/การยกเลิกเครื่องมืออีกครั้ง
	เครื่องมือและที่ดูดฝุ่นอยู่ห่างจากกัน (เกินช่วงระยะการส่งสัญญาณ)	นำเครื่องมือและที่ดูดฝุ่นเข้ามาไว้ใกล้กันมากขึ้น ระยะการส่งสัญญาณสูงสุดคือประมาณ 10 m อย่างไรก็ตามอาจแตกต่างกันไปขึ้นอยู่กับสถานะแวดล้อม
	ก่อนเสร็จสิ้นการบันทึก/การยกเลิกเครื่องมือ - สวิตช์สั่งงานบนเครื่องมือถูกตั้งอยู่ หรือ - ปุ่มไฟหลักบนที่ดูดฝุ่นเปิดอยู่	ดันปุ่มสั่งงานด้วยสัญญาณไร้สายไว้สักครู่ จากนั้นดำเนินการขั้นตอนการบันทึก/การยกเลิกเครื่องมืออีกครั้ง
ขั้นตอนการบันทึกเครื่องมือสำหรับเครื่องมือหรือที่ดูดฝุ่นยังไม่เสร็จสิ้น	ดำเนินการตามขั้นตอนการบันทึกเครื่องมือสำหรับทั้งเครื่องมือและที่ดูดฝุ่นในเวลาเดียวกัน	
การรบกวนจากคลื่นวิทยุของเครื่องใช้อื่นๆ ซึ่งทำให้เกิดคลื่นวิทยุความถี่สูง	นำเครื่องมือและที่ดูดฝุ่นออกห่างจากเครื่องใช้ต่างๆ เช่น อุปกรณ์ Wi-Fi และเตาอบไมโครเวฟ	

สภาวะความผิดปกติ	สาเหตุที่เป็นไปได้ (การทำงานผิดปกติ)	การแก้ไข
ที่ดูดฝุ่นไม่ทำงานตามการควบคุมด้วยสวิตช์ของเครื่องมือ	อุปกรณ์รับส่งสัญญาณไร้สายไม่ถูกติดตั้งลงในเครื่องมือ	ติดตั้งอุปกรณ์รับส่งสัญญาณไร้สายให้ถูกต้อง
	อุปกรณ์รับส่งสัญญาณไร้สายไม่ถูกติดตั้งลงในเครื่องมืออย่างถูกต้อง	
	ขั้วต่อของอุปกรณ์รับส่งสัญญาณไร้สายและ/หรือช่องเสียบสกรก	ค่อยๆ เช็ดฝุ่นและสิ่งสกปรกบนขั้วต่อของอุปกรณ์รับส่งสัญญาณไร้สายและทำความสะอาดช่องเสียบ
	ปุ่มสั่งงานด้วยสัญญาณไร้สายบนเครื่องมือยังไม่ถูกดันเข้าไป	ดันปุ่มสั่งงานด้วยสัญญาณไร้สายไว้สักครู่ และตรวจสอบให้แน่ใจว่าดวงไฟแสดงการสั่งงานด้วยสัญญาณไร้สายกะพริบเป็นสีฟ้า
	สวิตช์เตรียมพร้อมบนที่ดูดฝุ่นไม่ได้ถูกตั้งเป็น "AUTO"	ตั้งสวิตช์เตรียมพร้อมบนที่ดูดฝุ่นเป็น "AUTO"
	มีเครื่องมือที่บันทึกเข้ากับที่ดูดฝุ่นมากกว่า 10 เครื่อง	ดำเนินการบันทึกเครื่องมืออีกครั้ง หากมีเครื่องมือที่บันทึกเข้ากับที่ดูดฝุ่นมากกว่า 10 เครื่อง เครื่องมือที่บันทึกเครื่องแรกสุดจะถูกยกเลิกไปโดยอัตโนมัติ
	ที่ดูดฝุ่นลบการบันทึกเครื่องมือทั้งหมด	ดำเนินการบันทึกเครื่องมืออีกครั้ง
	ไม่มีการจ่ายไฟฟ้า	จ่ายไฟฟ้าให้เครื่องมือและที่ดูดฝุ่น
ที่ดูดฝุ่นทำงานในขณะที่สวิตช์สั่งงานเครื่องมือยังไม่ถูกตั้ง	เครื่องมือและที่ดูดฝุ่นอยู่ห่างจากกัน (เกินช่วงระยะการส่งสัญญาณ)	นำเครื่องมือและที่ดูดฝุ่นเข้ามาไว้ใกล้กันมากขึ้น ระยะการส่งสัญญาณสูงสุดคือประมาณ 10 m อย่างไรก็ตามอาจแตกต่างกันไปขึ้นอยู่กับสภาวะแวดล้อม
	การรบกวนจากคลื่นวิทยุของเครื่องใช้อื่นๆ ซึ่งทำให้เกิดคลื่นวิทยุความถี่สูง	นำเครื่องมือและที่ดูดฝุ่นออกห่างจากเครื่องใช้ต่างๆ เช่น อุปกรณ์ Wi-Fi และเดาอบไมโครเวฟ
	ผู้ใช้คนอื่นกำลังใช้การสั่งงานด้วยสัญญาณไร้สายของที่ดูดฝุ่นจากเครื่องมือของพวกเขาอยู่	ปิดปุ่มสั่งงานด้วยสัญญาณไร้สายของเครื่องมืออื่นๆ หรือยกเลิกการบันทึกเครื่องมือของเครื่องมืออื่น

การบำรุงรักษา

⚠ ข้อควรระวัง: ตรวจสอบให้แน่ใจว่าได้ปิดสวิตช์เครื่องมือและถอดปลั๊กแบตเตอรี่ออกก่อนทำการตรวจสอบหรือบำรุงรักษา

ข้อสังเกต: อย่าใช้น้ำมันเชื้อเพลิง เบนซิน ทินเนอร์ แอลกอฮอล์ หรือวัสดุประเภทเดียวกัน เนื่องจากอาจทำให้เกิดฝ้าขาว เสียวรูป หรือแตกร้าวได้

เพื่อความปลอดภัยและนำเชื่อถือของผลิตภัณฑ์ ควรให้ศูนย์บริการหรือโรงงานที่ผ่านการรับรองจาก Makita เป็นผู้ดำเนินการซ่อมแซม บำรุงรักษาและทำการปรับตั้งอื่นๆ นอกจากนี้ให้ใช้อะไหล่ของแท้จาก Makita เสมอ

อุปกรณ์เสริม

⚠ ข้อควรระวัง: ขอแนะนำให้ใช้เฉพาะอุปกรณ์เสริมหรืออุปกรณ์ต่อพ่วงเหล่านี้กับเครื่องมือ Makita ที่ระบุในคู่มือการใช้อุปกรณ์เสริมหรืออุปกรณ์ต่อพ่วงอื่นๆ อาจมีความเสี่ยงที่จะได้รับบาดเจ็บ ใช้อุปกรณ์เสริมหรืออุปกรณ์ต่อพ่วงตามวัตถุประสงค์ที่ระบุไว้เท่านั้น

หากต้องการทราบรายละเอียดเพิ่มเติมเกี่ยวกับอุปกรณ์เสริมเหล่านี้ โปรดสอบถามศูนย์บริการ Makita ใกล้บ้านคุณ

- ดอกสว่านปลายคาร์ไบด์ SDS-MAX
- ดอกสว่านปากแหลม SDS-MAX
- ดอกสว่านปากแบน SDS-MAX
- ดอกสว่านแบนใหญ่ SDS-MAX
- ดอกสว่านพลัง SDS-MAX
- จาระบีดอกสว่าน
- มือจับด้านข้าง
- ด้ามจับด้านข้าง
- เกจวัดความลึก
- กระจาเปะยางเป้ากลม
- อุปกรณ์ต่อพ่วงเครื่องดูดฝุ่น
- แวนตานีรภัย
- อุปกรณ์รับส่งสัญญาณไร้สาย
- แบตเตอรี่และเครื่องชาร์จ Makita ของแท้
- กระจาเปะถือพลาสติก

หมายเหตุ: อุปกรณ์บางรายการอาจรวมอยู่ในชุดเครื่องมือเป็นอุปกรณ์มาตรฐาน ซึ่งอาจแตกต่างกันไปในแต่ละประเทศ

Makita Corporation
3-11-8, Sumiyoshi-cho,
Anjo, Aichi 446-8502 Japan
www.makita.com

885831-373
EN, ZHCN, ID, MS,
VI, TH
20201009