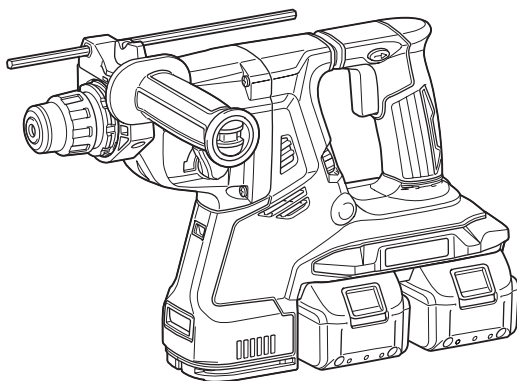




| | | | |
|----|--|---------------------|----|
| EN | Cordless Combination Hammer | INSTRUCTION MANUAL | 10 |
| ID | Bor Getar Kombinasi Tanpa Kabel | PETUNJUK PENGGUNAAN | 26 |
| VI | Máy Khoan Đa Năng Cầm Tay Hoạt Động Bằng Pin | TÀI LIỆU HƯỚNG DẪN | 43 |
| TH | สว่านเจาะกระแทกไร้สาย | คู่มือการใช้งาน | 59 |

DHR280
DHR281
DHR282
DHR283



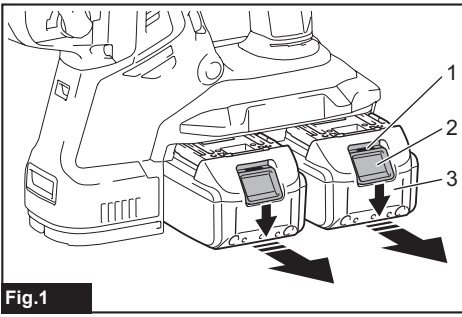


Fig.1

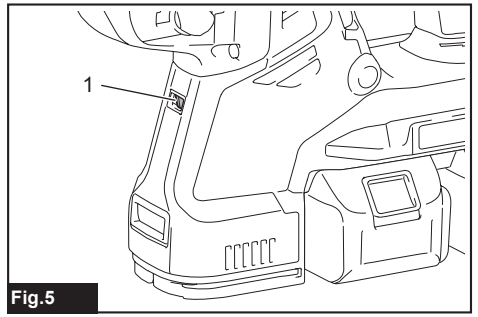


Fig.5

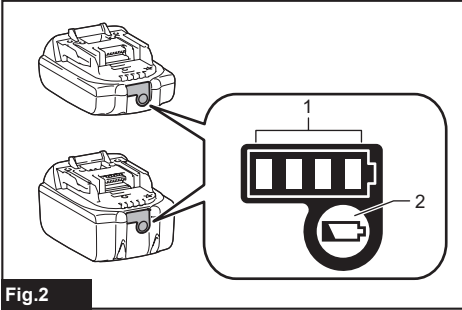


Fig.2

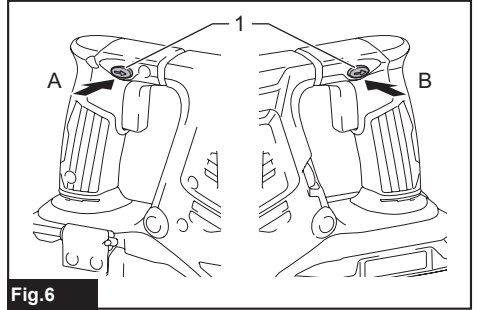


Fig.6

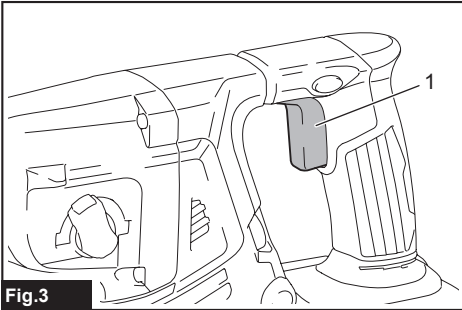


Fig.3

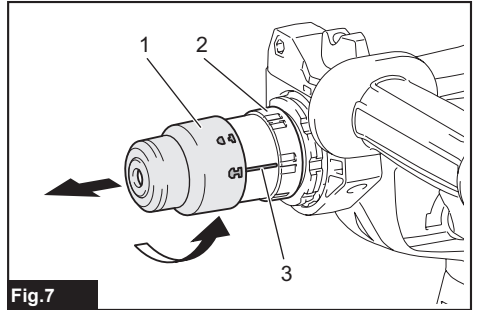


Fig.7

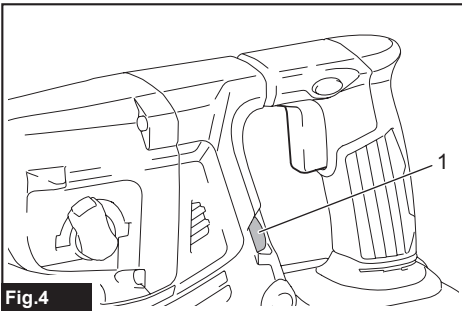


Fig.4

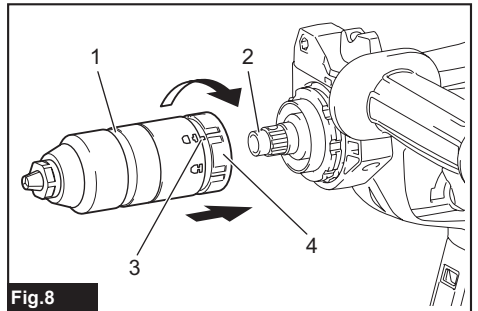


Fig.8

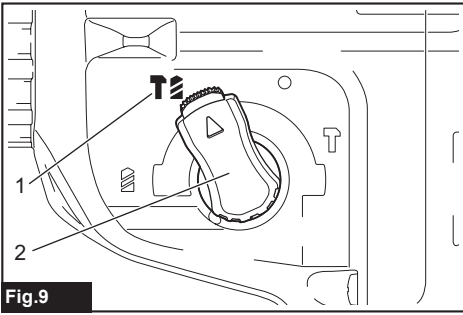


Fig.9

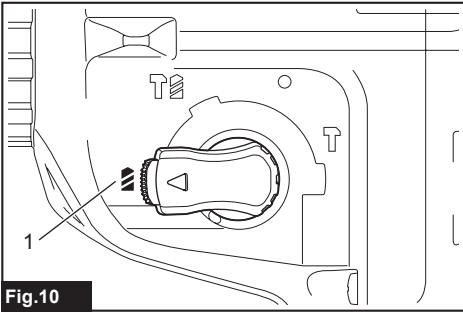


Fig.10

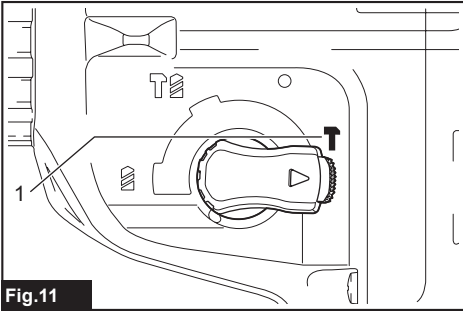


Fig.11

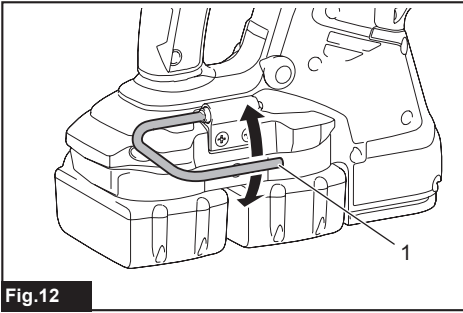


Fig.12

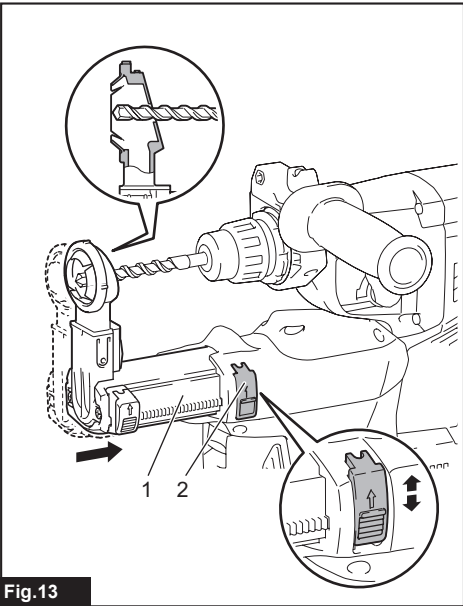


Fig.13

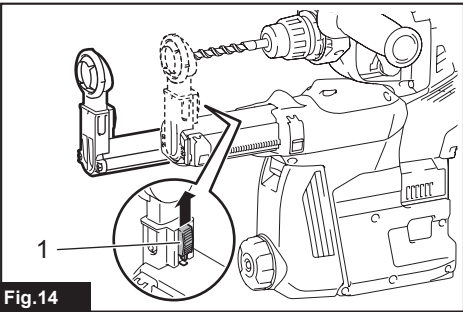


Fig.14

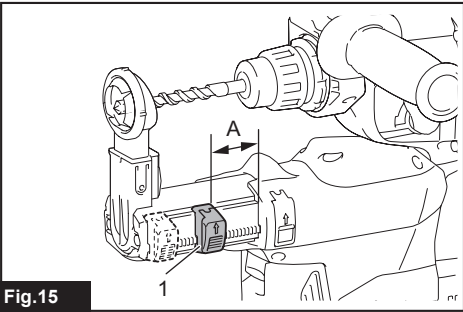
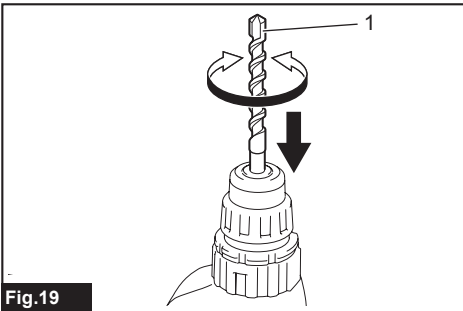
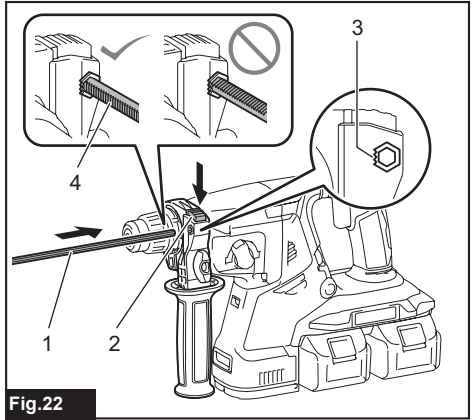
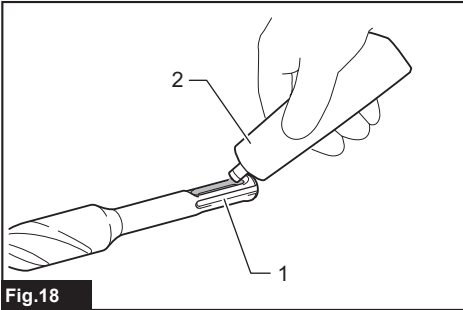
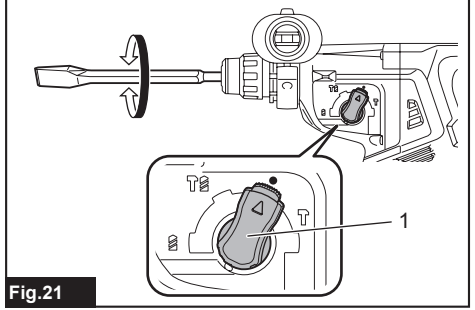
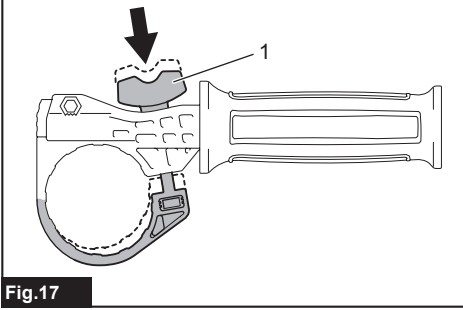
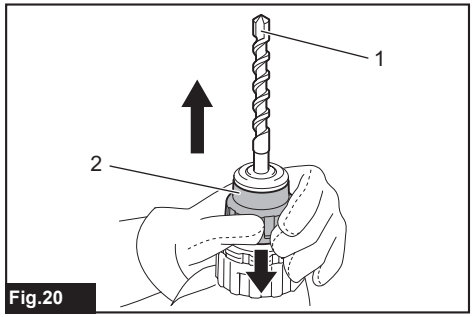
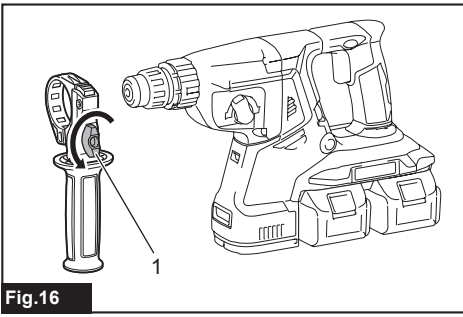


Fig.15



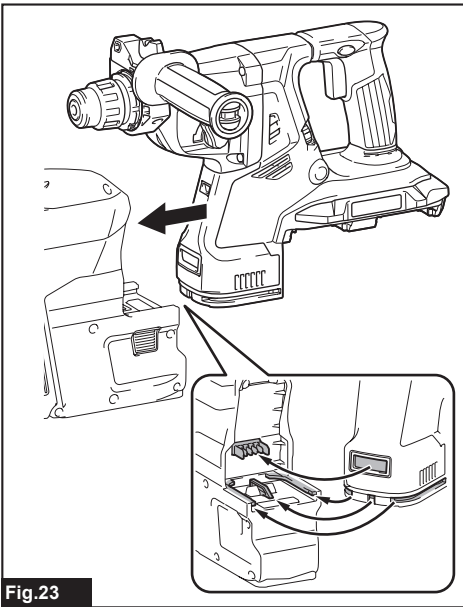


Fig.23

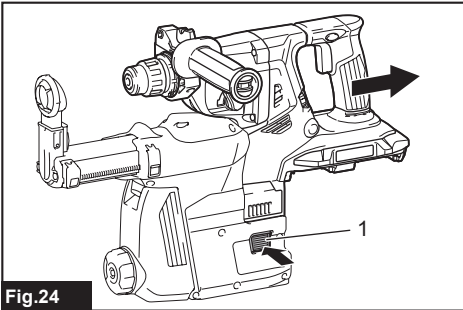


Fig.24

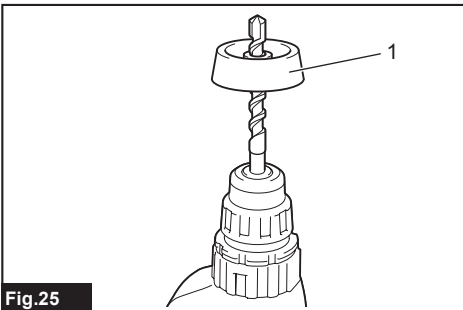


Fig.25

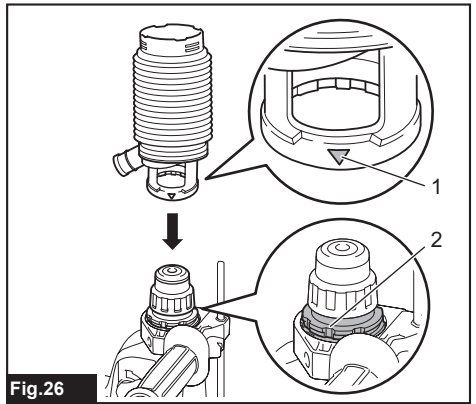


Fig.26

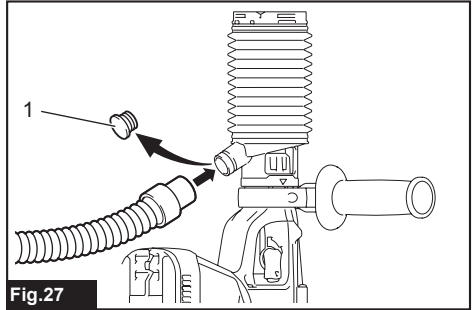


Fig.27

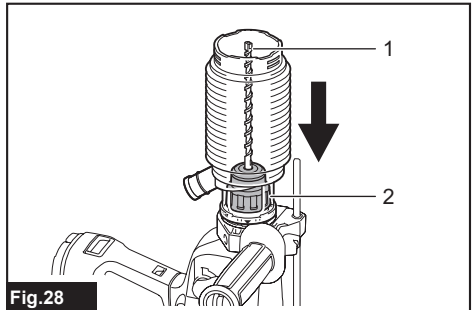


Fig.28

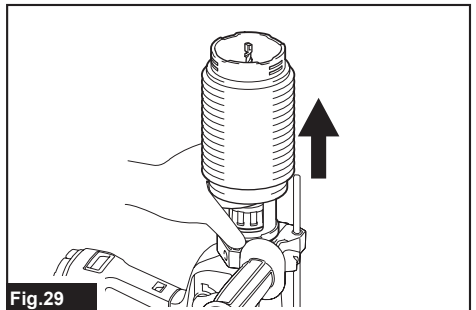


Fig.29

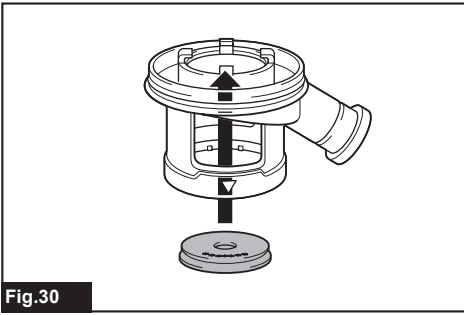


Fig.30

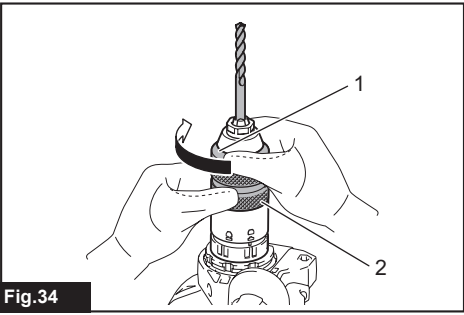


Fig.34

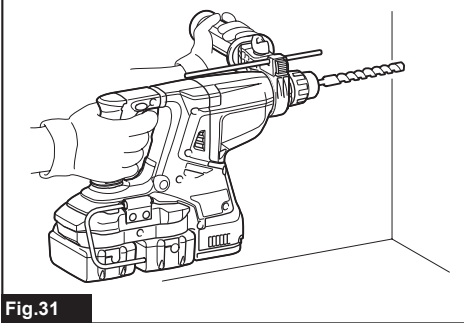


Fig.31

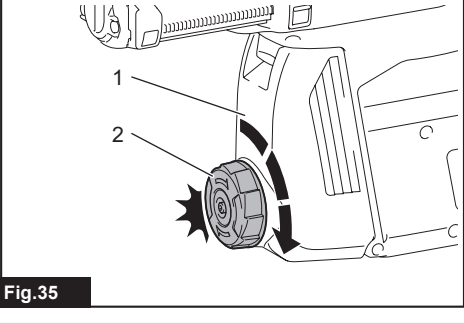


Fig.35

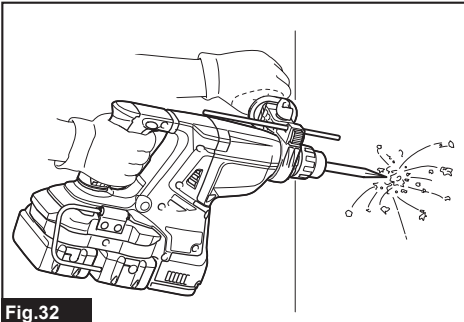


Fig.32

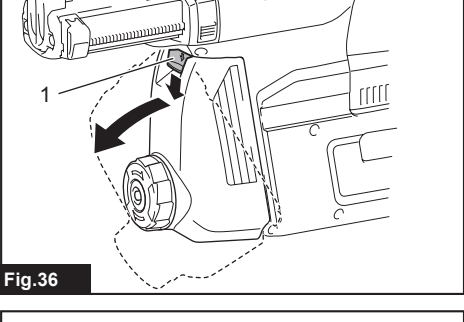


Fig.36

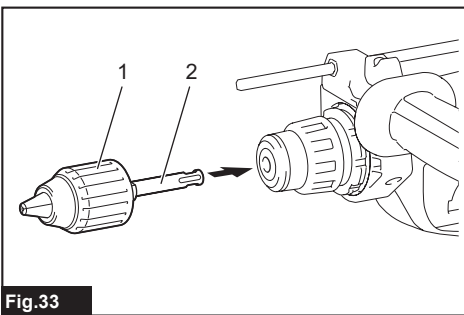


Fig.33

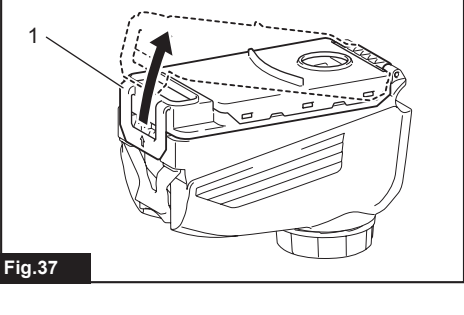
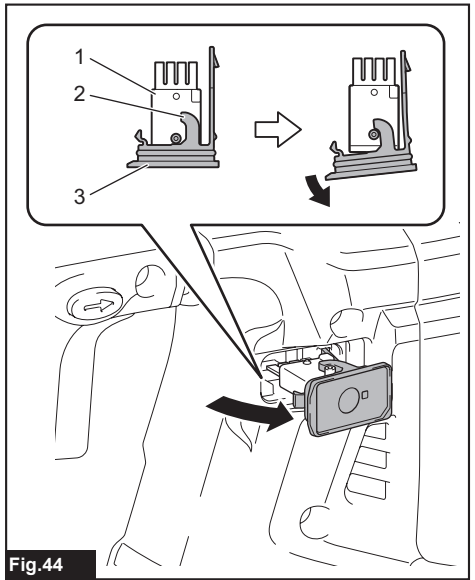
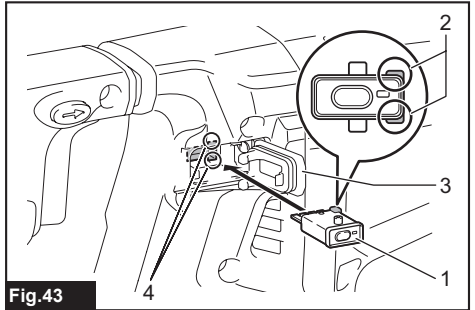
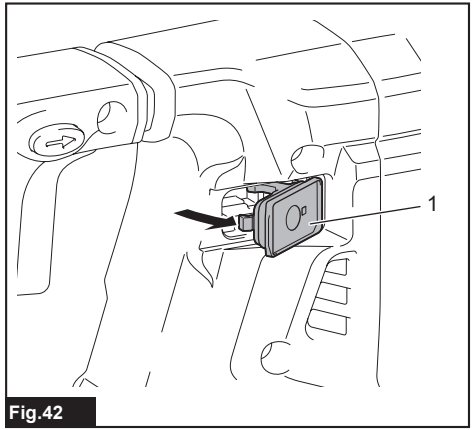
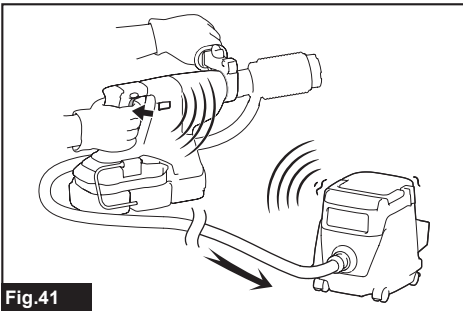
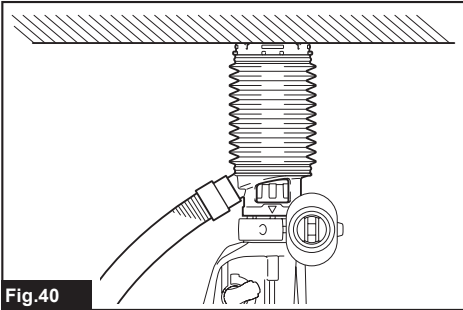
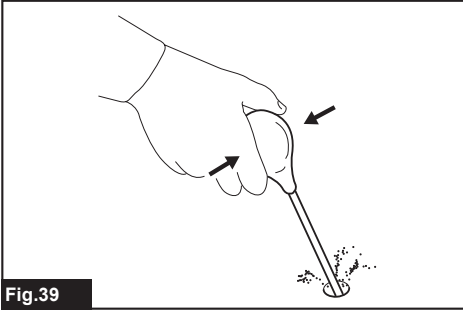
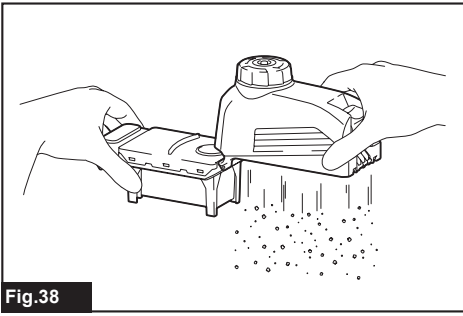


Fig.37



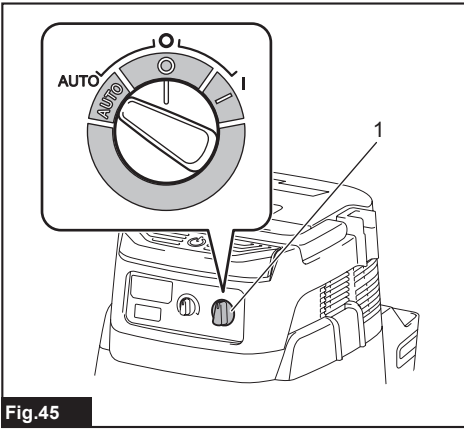


Fig.45

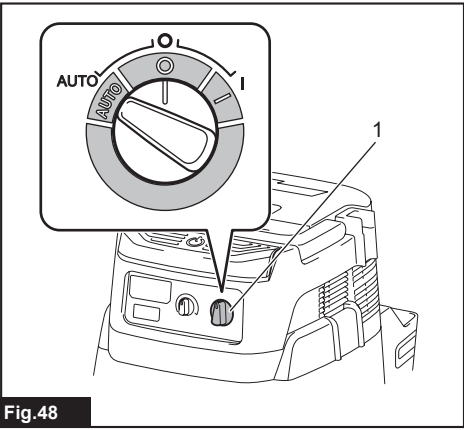


Fig.48

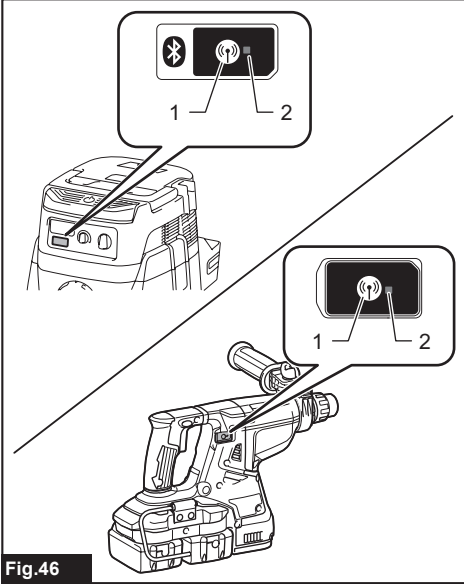


Fig.46

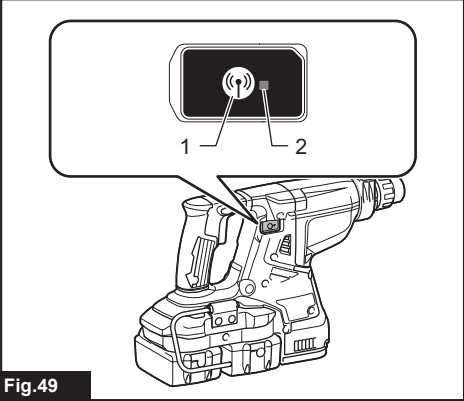


Fig.49

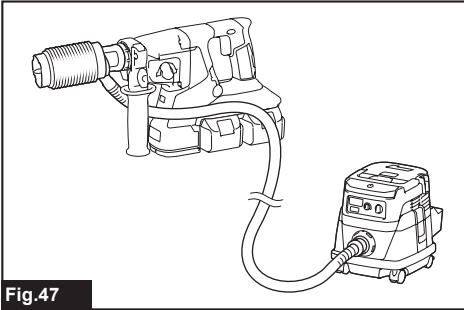


Fig.47

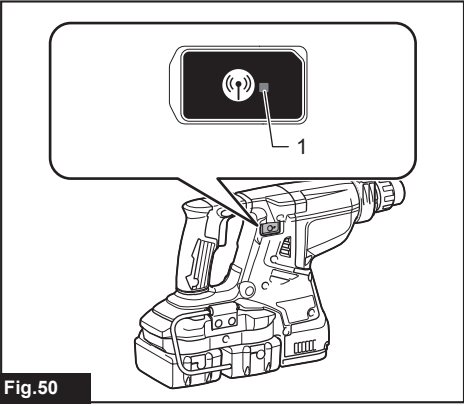
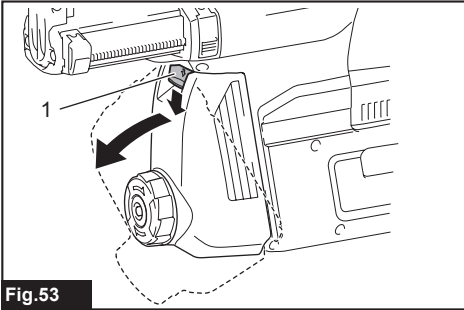
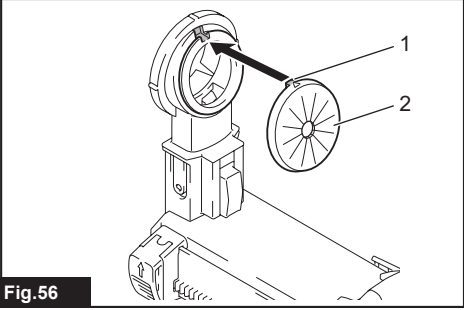
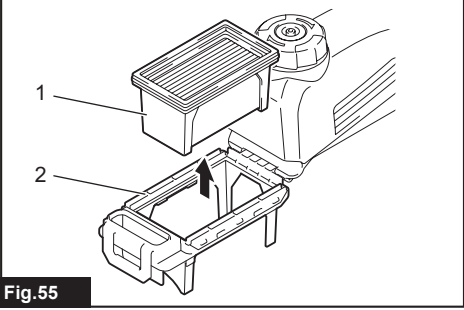
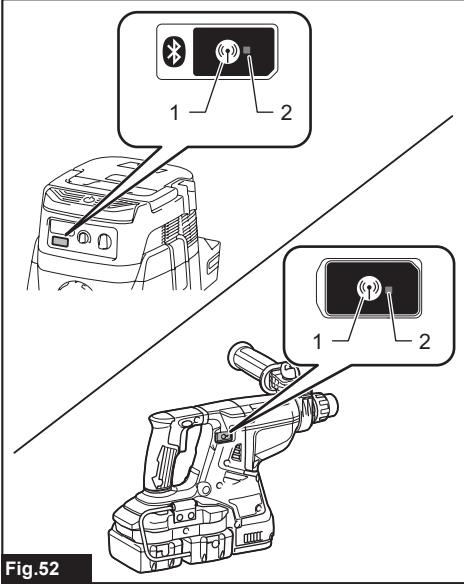
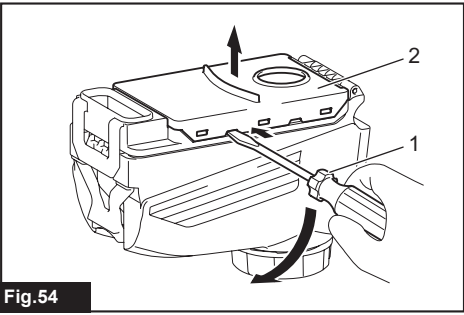
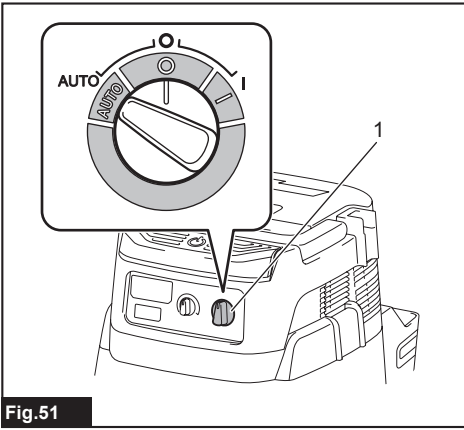


Fig.50



SPECIFICATIONS

| Model: | | DHR280 | DHR281 | DHR282 | DHR283 |
|------------------|-----------------------------|-----------------------------|--------|--------|--------|
| Capacities | Concrete | 28 mm | | | |
| | Core bit | 54 mm | | | |
| | Diamond core bit (dry type) | 65 mm | | | |
| | Steel | 13 mm | | | |
| | Wood | 32 mm | | | |
| No load speed | | 0 - 980 min ⁻¹ | | | |
| Blows per minute | | 0 - 5,000 min ⁻¹ | | | |
| Overall length | | 373 mm | 404 mm | 373 mm | 404 mm |
| Rated voltage | | D.C. 36 V | | | |
| Net weight | | 3.9 - 5.1 kg | | | |

Optional accessory

| Model: | DX08 (For DHR280/DHR282) | DX09 (For DHR281/DHR283) |
|---------------------|--------------------------|--------------------------|
| Suction performance | 350 l/min | |
| Operating stroke | Up to 190 mm | |
| Suitable drill bit | Up to 260 mm | |
| Rated voltage | D.C. 18 V | |
| Net weight | 1.6 kg | |

- Due to our continuing program of research and development, the specifications herein are subject to change without notice.
- Specifications and battery cartridge may differ from country to country.
- The weight may differ depending on the attachment(s), including the battery cartridge. The lightest and heaviest combination, according to EPTA-Procedure 01/2014, are shown in the table.

Applicable battery cartridge

BL1815N / BL1820 / BL1820B / BL1830 / BL1830B / BL1840 / BL1840B / BL1850 / BL1850B / BL1860B

- Some of the battery cartridges listed above may not be available depending on your region of residence.

⚠ WARNING: Only use the battery cartridges listed above. Use of any other battery cartridges may cause injury and/or fire.

Symbols

The following show the symbols used for the equipment. Be sure that you understand their meaning before use.



Read instruction manual.



Only for EU countries
Do not dispose of electric equipment or battery pack together with household waste material!
In observance of the European Directives, on Waste Electric and Electronic Equipment and Batteries and Accumulators and Waste Batteries and Accumulators and their implementation in accordance with national laws, electric equipment and batteries and battery pack(s) that have reached the end of their life must be collected separately and returned to an environmentally compatible recycling facility.

Intended use

The tool is intended for hammer drilling and drilling in brick, concrete and stone as well as for chiselling work. It is also suitable for drilling without impact in wood, metal, ceramic and plastic.

SAFETY WARNINGS

General power tool safety warnings

⚠ WARNING: Read all safety warnings, instructions, illustrations and specifications provided with this power tool. Failure to follow all instructions listed below may result in electric shock, fire and/or serious injury.

Save all warnings and instructions for future reference.

The term "power tool" in the warnings refers to your mains-operated (corded) power tool or battery-operated (cordless) power tool.

Work area safety

1. **Keep work area clean and well lit.** Cluttered or dark areas invite accidents.
2. **Do not operate power tools in explosive atmospheres, such as in the presence of flammable liquids, gases or dust.** Power tools create sparks which may ignite the dust or fumes.
3. **Keep children and bystanders away while operating a power tool.** Distractions can cause you to lose control.

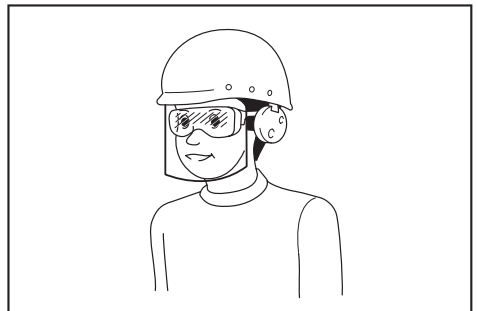
Electrical Safety

1. **Power tool plugs must match the outlet. Never modify the plug in any way. Do not use any adapter plugs with earthed (grounded) power tools.** Unmodified plugs and matching outlets will reduce risk of electric shock.
2. **Avoid body contact with earthed or grounded surfaces, such as pipes, radiators, ranges and refrigerators.** There is an increased risk of electric shock if your body is earthed or grounded.
3. **Do not expose power tools to rain or wet conditions.** Water entering a power tool will increase the risk of electric shock.
4. **Do not abuse the cord. Never use the cord for carrying, pulling or unplugging the power tool. Keep cord away from heat, oil, sharp edges or moving parts.** Damaged or entangled cords increase the risk of electric shock.
5. **When operating a power tool outdoors, use an extension cord suitable for outdoor use.** Use of a cord suitable for outdoor use reduces the risk of electric shock.
6. **If operating a power tool in a damp location is unavoidable, use a residual current device (RCD) protected supply.** Use of an RCD reduces the risk of electric shock.
7. **Power tools can produce electromagnetic fields (EMF) that are not harmful to the user.** However, users of pacemakers and other similar medical devices should contact the maker of their device and/or doctor for advice before operating this power tool.

Personal Safety

1. **Stay alert, watch what you are doing and use common sense when operating a power tool. Do not use a power tool while you are tired or under the influence of drugs, alcohol or medication.** A moment of inattention while operating power tools may result in serious personal injury.
2. **Use personal protective equipment. Always wear eye protection.** Protective equipment such as a dust mask, non-skid safety shoes, hard hat or hearing protection used for appropriate conditions will reduce personal injuries.

3. **Prevent unintentional starting. Ensure the switch is in the off-position before connecting to power source and/or battery pack, picking up or carrying the tool.** Carrying power tools with your finger on the switch or energising power tools that have the switch on invites accidents.
4. **Remove any adjusting key or wrench before turning the power tool on.** A wrench or a key left attached to a rotating part of the power tool may result in personal injury.
5. **Do not overreach. Keep proper footing and balance at all times.** This enables better control of the power tool in unexpected situations.
6. **Dress properly. Do not wear loose clothing or jewellery. Keep your hair and clothing away from moving parts.** Loose clothes, jewellery or long hair can be caught in moving parts.
7. **If devices are provided for the connection of dust extraction and collection facilities, ensure these are connected and properly used.** Use of dust collection can reduce dust-related hazards.
8. **Do not let familiarity gained from frequent use of tools allow you to become complacent and ignore tool safety principles.** A careless action can cause severe injury within a fraction of a second.
9. **Always wear protective goggles to protect your eyes from injury when using power tools. The goggles must comply with ANSI Z87.1 in the USA, EN 166 in Europe, or AS/NZS 1336 in Australia/New Zealand. In Australia/New Zealand, it is legally required to wear a face shield to protect your face, too.**



It is an employer's responsibility to enforce the use of appropriate safety protective equipments by the tool operators and by other persons in the immediate working area.

Power tool use and care

1. **Do not force the power tool. Use the correct power tool for your application.** The correct power tool will do the job better and safer at the rate for which it was designed.
2. **Do not use the power tool if the switch does not turn it on and off.** Any power tool that cannot be controlled with the switch is dangerous and must be repaired.

3. **Disconnect the plug from the power source and/or remove the battery pack, if detachable, from the power tool before making any adjustments, changing accessories, or storing power tools.** Such preventive safety measures reduce the risk of starting the power tool accidentally.
4. **Store idle power tools out of the reach of children and do not allow persons unfamiliar with the power tool or these instructions to operate the power tool.** Power tools are dangerous in the hands of untrained users.
5. **Maintain power tools and accessories. Check for misalignment or binding of moving parts, breakage of parts and any other condition that may affect the power tool's operation. If damaged, have the power tool repaired before use.** Many accidents are caused by poorly maintained power tools.
6. **Keep cutting tools sharp and clean.** Properly maintained cutting tools with sharp cutting edges are less likely to bind and are easier to control.
7. **Use the power tool, accessories and tool bits etc. in accordance with these instructions, taking into account the working conditions and the work to be performed.** Use of the power tool for operations different from those intended could result in a hazardous situation.
8. **Keep handles and grasping surfaces dry, clean and free from oil and grease.** Slippery handles and grasping surfaces do not allow for safe handling and control of the tool in unexpected situations.
9. **When using the tool, do not wear cloth work gloves which may be entangled.** The entanglement of cloth work gloves in the moving parts may result in personal injury.

Battery tool use and care

1. **Recharge only with the charger specified by the manufacturer.** A charger that is suitable for one type of battery pack may create a risk of fire when used with another battery pack.
2. **Use power tools only with specifically designated battery packs.** Use of any other battery packs may create a risk of injury and fire.
3. **When battery pack is not in use, keep it away from other metal objects, like paper clips, coins, keys, nails, screws or other small metal objects, that can make a connection from one terminal to another.** Shorting the battery terminals together may cause burns or a fire.
4. **Under abusive conditions, liquid may be ejected from the battery; avoid contact. If contact accidentally occurs, flush with water. If liquid contacts eyes, additionally seek medical help.** Liquid ejected from the battery may cause irritation or burns.
5. **Do not use a battery pack or tool that is damaged or modified.** Damaged or modified batteries may exhibit unpredictable behaviour resulting in fire, explosion or risk of injury.
6. **Do not expose a battery pack or tool to fire or excessive temperature.** Exposure to fire or temperature above 130 °C may cause explosion.

7. **Follow all charging instructions and do not charge the battery pack or tool outside the temperature range specified in the instructions.** Charging improperly or at temperatures outside the specified range may damage the battery and increase the risk of fire.

Service

1. **Have your power tool serviced by a qualified repair person using only identical replacement parts.** This will ensure that the safety of the power tool is maintained.
2. **Never service damaged battery packs.** Service of battery packs should only be performed by the manufacturer or authorized service providers.
3. **Follow instruction for lubricating and changing accessories.**

CORDLESS ROTARY HAMMER SAFETY WARNINGS

1. **Wear ear protectors.** Exposure to noise can cause hearing loss.
2. **Use auxiliary handle(s), if supplied with the tool.** Loss of control can cause personal injury.
3. **Hold power tool by insulated gripping surfaces, when performing an operation where the cutting accessory may contact hidden wiring.** Cutting accessory contacting a "live" wire may make exposed metal parts of the power tool "live" and could give the operator an electric shock.
4. **Wear a hard hat (safety helmet), safety glasses and/or face shield.** Ordinary eye or sun glasses are NOT safety glasses. It is also highly recommended that you wear a dust mask and thickly padded gloves.
5. **Be sure the bit is secured in place before operation.**
6. **Under normal operation, the tool is designed to produce vibration. The screws can come loose easily, causing a breakdown or accident. Check tightness of screws carefully before operation.**
7. **In cold weather or when the tool has not been used for a long time, let the tool warm up for a while by operating it under no load. This will loosen up the lubrication. Without proper warm-up, hammering operation is difficult.**
8. **Always be sure you have a firm footing. Be sure no one is below when using the tool in high locations.**
9. **Hold the tool firmly with both hands.**
10. **Keep hands away from moving parts.**
11. **Do not leave the tool running. Operate the tool only when hand-held.**
12. **Do not point the tool at any one in the area when operating. The bit could fly out and injure someone seriously.**
13. **Do not touch the bit, parts close to the bit, or workpiece immediately after operation; they may be extremely hot and could burn your skin.**

14. **Some material contains chemicals which may be toxic. Take caution to prevent dust inhalation and skin contact. Follow material supplier safety data.**
15. **Always be sure that the tool is switched off and the battery cartridge and the bit are removed before handing the tool to other person.**

SAVE THESE INSTRUCTIONS.

⚠WARNING: DO NOT let comfort or familiarity with product (gained from repeated use) replace strict adherence to safety rules for the subject product. MISUSE or failure to follow the safety rules stated in this instruction manual may cause serious personal injury.

Important safety instructions for battery cartridge

1. **Before using battery cartridge, read all instructions and cautionary markings on (1) battery charger, (2) battery, and (3) product using battery.**
2. **Do not disassemble battery cartridge.**
3. **If operating time has become excessively shorter, stop operating immediately. It may result in a risk of overheating, possible burns and even an explosion.**
4. **If electrolyte gets into your eyes, rinse them out with clear water and seek medical attention right away. It may result in loss of your eyesight.**
5. **Do not short the battery cartridge:**
 - (1) **Do not touch the terminals with any conductive material.**
 - (2) **Avoid storing battery cartridge in a container with other metal objects such as nails, coins, etc.**
 - (3) **Do not expose battery cartridge to water or rain.**

A battery short can cause a large current flow, overheating, possible burns and even a breakdown.

6. **Do not store the tool and battery cartridge in locations where the temperature may reach or exceed 50 °C (122 °F).**
7. **Do not incinerate the battery cartridge even if it is severely damaged or is completely worn out. The battery cartridge can explode in a fire.**
8. **Be careful not to drop or strike battery.**
9. **Do not use a damaged battery.**
10. **The contained lithium-ion batteries are subject to the Dangerous Goods Legislation requirements.**

For commercial transports e.g. by third parties, forwarding agents, special requirement on packaging and labeling must be observed.

For preparation of the item being shipped, consulting an expert for hazardous material is required. Please also observe possibly more detailed national regulations.

Tape or mask off open contacts and pack up the battery in such a manner that it cannot move around in the packaging.

11. **Follow your local regulations relating to disposal of battery.**
12. **Use the batteries only with the products specified by Makita.** Installing the batteries to non-compliant products may result in a fire, excessive heat, explosion, or leak of electrolyte.

SAVE THESE INSTRUCTIONS.

⚠CAUTION: Only use genuine Makita batteries. Use of non-genuine Makita batteries, or batteries that have been altered, may result in the battery bursting causing fires, personal injury and damage. It will also void the Makita warranty for the Makita tool and charger.

Tips for maintaining maximum battery life

1. **Charge the battery cartridge before completely discharged. Always stop tool operation and charge the battery cartridge when you notice less tool power.**
2. **Never recharge a fully charged battery cartridge. Overcharging shortens the battery service life.**
3. **Charge the battery cartridge with room temperature at 10 °C - 40 °C (50 °F - 104 °F). Let a hot battery cartridge cool down before charging it.**
4. **Charge the battery cartridge if you do not use it for a long period (more than six months).**

Important safety instructions for wireless unit

1. **Do not disassemble or tamper with the wireless unit.**
2. **Keep the wireless unit away from young children. If accidentally swallowed, seek medical attention immediately.**
3. **Use the wireless unit only with Makita tools.**
4. **Do not expose the wireless unit to rain or wet conditions.**
5. **Do not use the wireless unit in places where the temperature exceeds 50°C (122°F).**
6. **Do not operate the wireless unit in places where medical instruments, such as heart pace makers are near by.**
7. **Do not operate the wireless unit in places where automated devices are near by. If operated, automated devices may develop malfunction or error.**
8. **Do not operate the wireless unit in places under high temperature or places where static electricity or electrical noise could be generated.**
9. **The wireless unit can produce electromagnetic fields (EMF) but they are not harmful to the user.**
10. **The wireless unit is an accurate instrument. Be careful not to drop or strike the wireless unit.**

11. Avoid touching the terminal of the wireless unit with bare hands or metallic materials.
12. Always remove the battery on the product when installing the wireless unit into it.
13. When opening the lid of the slot, avoid the place where dust and water may come into the slot. Always keep the inlet of the slot clean.
14. Always insert the wireless unit in the correct direction.
15. Do not press the wireless activation button on the wireless unit too hard and/or press the button with an object with a sharp edge.
16. Always close the lid of the slot when operating.
17. Do not remove the wireless unit from the slot while the power is being supplied to the tool. Doing so may cause a malfunction of the wireless unit.
18. Do not remove the sticker on the wireless unit.
19. Do not put any sticker on the wireless unit.
20. Do not leave the wireless unit in a place where static electricity or electrical noise could be generated.
21. Do not leave the wireless unit in a place subject to high heat, such as a car sitting in the sun.
22. Do not leave the wireless unit in a dusty or powdery place or in a place corrosive gas could be generated.
23. Sudden change of the temperature may bedew the wireless unit. Do not use the wireless unit until the dew is completely dried.
24. When cleaning the wireless unit, gently wipe with a dry soft cloth. Do not use benzine, thinner, conductive grease or the like.
25. When storing the wireless unit, keep it in the supplied case or a static-free container.
26. Do not insert any devices other than Makita wireless unit into the slot on the tool.
27. Do not use the tool with the lid of the slot damaged. Water, dust, and dirt come into the slot may cause malfunction.
28. Do not pull and/or twist the lid of the slot more than necessary. Restore the lid if it comes off from the tool.
29. Replace the lid of the slot if it is lost or damaged.

SAVE THESE INSTRUCTIONS.

FUNCTIONAL DESCRIPTION

CAUTION: Always be sure that the tool is switched off and the battery cartridge is removed before adjusting or checking function on the tool.

Installing or removing battery cartridge

CAUTION: Always switch off the tool before installing or removing of the battery cartridge.

CAUTION: Hold the tool and the battery cartridge firmly when installing or removing battery cartridge. Failure to hold the tool and the battery cartridge firmly may cause them to slip off your hands and result in damage to the tool and battery cartridge and a personal injury.

► Fig.1: 1. Red indicator 2. Button 3. Battery cartridge

To remove the battery cartridge, slide it from the tool while sliding the button on the front of the cartridge.

To install the battery cartridge, align the tongue on the battery cartridge with the groove in the housing and slip it into place. Insert it all the way until it locks in place with a little click. If you can see the red indicator on the upper side of the button, it is not locked completely.

CAUTION: Always install the battery cartridge fully until the red indicator cannot be seen. If not, it may accidentally fall out of the tool, causing injury to you or someone around you.
















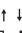


CAUTION: Do not install the battery cartridge forcibly. If the cartridge does not slide in easily, it is not being inserted correctly.

Indicating the remaining battery capacity

Only for battery cartridges with the indicator

► Fig.2: 1. Indicator lamps 2. Check button

Press the check button on the battery cartridge to indicate the remaining battery capacity. The indicator lamps light up for a few seconds.

| Indicator lamps | | | Remaining capacity |
|--|--|--|-------------------------------------|
|  Lighted |  Off |  Blinking | |
|  | | | 75% to 100% |
|  |  | | 50% to 75% |
|  |  | | 25% to 50% |
|  |  | | 0% to 25% |
|  |  | | Charge the battery. |
|   |   |   | The battery may have malfunctioned. |

NOTE: Depending on the conditions of use and the ambient temperature, the indication may differ slightly from the actual capacity.

Tool / battery protection system

The tool is equipped with a tool/battery protection system. This system automatically cuts off power to the motor to extend tool and battery life. The tool will automatically stop during operation if the tool or battery is placed under one of the following conditions:

Overload protection

When the battery is operated in a manner that causes it to draw an abnormally high current, the tool automatically stops without any indication. In this situation, turn the tool off and stop the application that caused the tool to become overloaded. Then turn the tool on to restart.

Overheat protection

When the tool or battery is overheated, the tool stops automatically. In this case, let the tool and battery cool before turning the tool on again.

NOTE: When the tool is overheated, the lamp blinks.

Overdischarge protection

When the battery capacity is not enough, the tool stops automatically. In this case, remove the battery from the tool and charge the battery.

Switch action

⚠ WARNING: Before installing the battery cartridge into the tool, always check to see that the switch trigger actuates properly and returns to the "OFF" position when released.

► Fig.3: 1. Switch trigger

To start the tool, simply pull the switch trigger. Tool speed is increased by increasing pressure on the switch trigger. Release the switch trigger to stop.

Speed change

The revolutions and blows per minute can be adjusted by turning the adjusting dial. The dial is marked 1 (lowest speed) to 5 (full speed).

► Fig.4: 1. Adjusting dial

Refer to the table below for the relationship between the number on the adjusting dial and the revolutions and blows per minute.

| Number | Revolutions per minute | Blows per minute |
|--------|------------------------|------------------|
| 5 | 980 | 5,000 |
| 4 | 810 | 4,130 |
| 3 | 640 | 3,260 |
| 2 | 470 | 2,400 |
| 1 | 300 | 1,550 |

⚠ CAUTION: Do not turn the adjusting dial when the tool is running. Failure to do so may result in the loss of control of the tool and cause an injury.

NOTICE: If the tool is operated continuously at low speed for a long time, the motor will get overloaded, resulting in tool malfunction.

NOTICE: The speed adjusting dial can be turned only as far as 5 and back to 1. Do not force it past 5 or 1, or the speed adjusting function may no longer work.

NOTE: Soft no-load rotation function (For DHR282/DHR283)

When the speed adjusting dial is set to "3" or higher, the tool automatically reduces the speed at no-load to reduce the vibration under no-load. Once operation starts with a bit against concrete, blows per minute increase and reach the numbers as shown in the table. When temperature is low and there is less fluidity in grease, the tool may not have this function even with the motor rotating.

This function is not available when the dust collection system is installed.

Lighting up the front lamp

► Fig.5: 1. Lamp

⚠ CAUTION: Do not look in the light or see the source of light directly.

Pull the switch trigger to light up the lamp. The lamp keeps on lighting while the switch trigger is being pulled. The lamp goes out approximately 10 seconds after releasing the switch trigger.

⚠ CAUTION: For DHR282/DHR283

If the lamp goes off after blinking for a few seconds, the active feedback sensing technology or the soft no-load rotation function is not working properly. Ask your local Makita Service Center for repair.

NOTE: Use a dry cloth to wipe the dirt off the lens of the lamp. Be careful not to scratch the lens of lamp, or it may lower the illumination.

NOTE: If the dust collection system is installed on the tool, the lamp of the dust collection system lights up instead of the lamp of the tool.

Reversing switch action

► Fig.6: 1. Reversing switch lever

⚠ CAUTION: Always check the direction of rotation before operation.

⚠ CAUTION: Use the reversing switch only after the tool comes to a complete stop. Changing the direction of rotation before the tool stops may damage the tool.

⚠ CAUTION: When not operating the tool, always set the reversing switch lever to the neutral position.

This tool has a reversing switch to change the direction of rotation. Depress the reversing switch lever from the A side for clockwise rotation or from the B side for counterclockwise rotation.

When the reversing switch lever is in the neutral position, the switch trigger cannot be pulled.



Changing the quick change chuck for SDS-plus

For DHR281/DHR283

The quick change chuck for SDS-plus can be easily exchanged for the quick change drill chuck.




Removing the quick change chuck for SDS-plus

CAUTION: Before removing the quick change chuck for SDS-plus, be sure to remove the bit.

Grasp the change cover of the quick change chuck for SDS-plus and turn in the direction of the arrow until the change cover line moves from the  symbol to the  symbol. Pull forcefully in the direction of the arrow.

► **Fig.7:** 1. Quick change chuck for SDS-plus
2. Change cover 3. Change cover line

Installing the quick change drill chuck

Check the line of the quick change drill chuck shows the  symbol. Grasp the change cover of the quick change drill chuck and set the line to the  symbol. Place the quick change drill chuck on the spindle of the tool. Grasp the change cover of the quick change drill chuck and turn the change cover line to the  symbol until a click can clearly be heard.


► **Fig.8:** 1. Quick change drill chuck 2. Spindle
3. Change cover line 4. Change cover

Selecting the action mode

NOTICE: Do not rotate the action mode changing knob when the tool is running. The tool will be damaged.


NOTICE: To avoid rapid wear on the mode change mechanism, be sure that the action mode changing knob is always positively located in one of the three action mode positions.

Rotation with hammering

For drilling in concrete, masonry, etc., rotate the action mode changing knob to the  symbol. Use a tungsten-carbide tipped bit (optional accessory).


► **Fig.9:** 1. Rotation with hammering 2. Action mode changing knob

Rotation only

For drilling in wood, metal or plastic materials, rotate the action mode changing knob to the  symbol. Use a twist drill bit or wood drill bit.

► **Fig.10:** 1. Rotation only

Hammering only

For chipping, scaling or demolition operations, rotate the action mode changing knob to the  symbol. Use a bull point, cold chisel, scaling chisel, etc.

► **Fig.11:** 1. Hammering only

Hook

CAUTION: Never hook the tool at high location or on potentially unstable surface.

► **Fig.12:** 1. Hook

The hook is convenient for temporarily hanging the tool. To use the hook, simply lift up hook until it snaps into the open position. When not in use, always lower hook until it snaps into the closed position.

Adjusting the nozzle position of the dust collection system

Optional accessory

Push in the guide while pushing up the guide adjustment button, and then release the button at the desired position.

► **Fig.13:** 1. Guide 2. Guide adjustment button

NOTE: Before adjusting the nozzle position, release the nozzle forward completely by pushing up the guide adjustment button.

If a long drill bit is installed, extend the guide by pushing up the extension button.

► **Fig.14:** 1. Extension button

Adjusting the drilling depth of the dust collection system

Optional accessory

Slide the depth adjustment button to the desired position while pushing it up. The distance (A) is the drilling depth.

► **Fig.15:** 1. Depth adjustment button

Torque limiter

NOTICE: As soon as the torque limiter actuates, switch off the tool immediately. This will help prevent premature wear of the tool.

NOTICE: Drill bits such as hole saw, which tend to pinch or catch easily in the hole, are not appropriate for this tool. This is because they will cause the torque limiter to actuate too frequently.

The torque limiter will actuate when a certain torque level is reached. The motor will disengage from the output shaft. When this happens, the drill bit will stop turning.

Electronic function

The tool is equipped with the electronic functions for easy operation.

- Constant speed control
The speed control function provides the constant rotation speed regardless of load conditions.
- Active Feedback sensing Technology (For DHR282/DHR283)
If the tool is swung at the predetermined acceleration during operation, the motor is forcibly stopped to reduce the burden on the wrist.

NOTE: This function does not work if the acceleration does not reach the predetermined one when the tool is swung.

NOTE: If the bit is swung at the predetermined acceleration during chipping, scaling, or demolishing, the motor is forcibly stopped. In this case, release the switch trigger, and then pull the switch trigger to restart the tool.

ASSEMBLY

⚠ CAUTION: Always be sure that the tool is switched off and the battery cartridge is removed before carrying out any work on the tool.

Side grip (auxiliary handle)

⚠ CAUTION: Always use the side grip to ensure safe operation.

⚠ CAUTION: After installing or adjusting the side grip, make sure that the side grip is firmly secured.

To install the side grip, follow the steps below.

1. Loosen the thumb screw on the side grip.

► **Fig.16:** 1. Thumb screw

2. Attach the side grip while pressing the thumb screw so that the grooves on the grip fit in the protrusions on the tool barrel.

► **Fig.17:** 1. Thumb screw

3. Tighten the thumb screw to secure the grip. The grip can be fixed at desired angle.

Grease

Coat the shank end of the drill bit beforehand with a small amount of grease (about 0.5 - 1 g). This chuck lubrication assures smooth action and longer service life.

Installing or removing drill bit

Clean the shank end of the drill bit and apply grease before installing the drill bit.

► **Fig.18:** 1. Shank end 2. Grease

Insert the drill bit into the tool. Turn the drill bit and push it in until it engages.

After installing the drill bit, always make sure that the drill bit is securely held in place by trying to pull it out.

► **Fig.19:** 1. Drill bit


To remove the drill bit, pull the chuck cover down all the way and pull the drill bit out.

► **Fig.20:** 1. Drill bit 2. Chuck cover

Chisel angle (when chipping, scaling or demolishing)

The chisel can be secured at the desired angle. To change the chisel angle, rotate the action mode changing knob to the O symbol. Turn the chisel to the desired angle.

► **Fig.21:** 1. Action mode changing knob

Rotate the action mode changing knob to the  symbol. Then make sure that the chisel is securely held in place by turning it slightly.

Depth gauge

The depth gauge is convenient for drilling holes of uniform depth.

Press and hold the lock button, and then insert the depth gauge into the hex hole. Make sure that the toothed side of the depth gauge faces the marking.

► **Fig.22:** 1. Depth gauge 2. Lock button 3. Marking 4. Toothed side

Adjust the depth gauge by moving it back and forth while pressing the lock button. After the adjustment, release the lock button to lock the depth gauge.

NOTE: Make sure that the depth gauge does not touch the main body of the tool when attaching it.

Installing or removing the dust collection system

Optional accessory

To install the dust collection system, insert the tool into the dust collection system all the way until it locks in place with a little double click.

► **Fig.23**

To remove the dust collection system, pull the tool while pressing the lock-off button.

► **Fig.24:** 1. Lock-off button

Dust cup

Optional accessory

Use the dust cup to prevent dust from falling over the tool and on yourself when performing overhead drilling operations. Attach the dust cup to the bit as shown in the figure. The size of bits which the dust cup can be attached to is as follows.

| Model | Bit diameter |
|------------|----------------|
| Dust cup 5 | 6 mm - 14.5 mm |
| Dust cup 9 | 12 mm - 16 mm |

► Fig.25: 1. Dust cup

Dust cup set

Optional accessory

Before installing the dust cup set, remove the bit from the tool if installed.

Install the dust cup set on the tool so that the \triangle symbol on the dust cup is aligned with the groove in the tool.

► Fig.26: 1. \triangle symbol 2. Groove

NOTE: If you connect a vacuum cleaner to the dust cup set, remove the dust cap before connecting it.

► Fig.27: 1. Dust cap

To remove the dust cup set, remove the bit while pulling the chuck cover in the direction of the arrow.

► Fig.28: 1. Bit 2. Chuck cover

Hold the root of dust cup and pull it out.

► Fig.29

NOTE: If the cap comes off from the dust cup, attach it with its printed side facing up so that groove on the cap fits in the inside periphery of the attachment.

► Fig.30

OPERATION

CAUTION: Always use the side grip (auxiliary handle) and firmly hold the tool by both side grip and switch handle during operations.

CAUTION: Always make sure that the work-piece is secured before operation.

CAUTION: Do not pull the tool out forcibly even the bit gets stuck. Loss of control may cause injury.

CAUTION: The dust collection system is intended for drilling in concrete only. Do not use the dust collection system for drilling in metal or wood.

CAUTION: When using the tool with the dust collection system, be sure to attach the filter to the dust collection system to prevent dust inhalation.

CAUTION: Before using the dust collection system, check that the filter is not damaged.

Failure to do so may cause dust inhalation.

CAUTION: The dust collection system collects the generated dust at a considerable rate, but not all dust can be collected.

NOTICE: Do not use the dust collection system for core drilling or chiseling.


NOTICE: Do not use the dust collection system for drilling in wet concrete or use this system in wet environment. Failure to do so may cause malfunction.

NOTE: If the battery cartridge is in low temperature, the tool's capability may not be fully obtained. In this case, warm up the battery cartridge by using the tool with no load for a while to fully obtain the tool's capability.

► Fig.31

Hammer drilling operation


CAUTION: There is tremendous and sudden twisting force exerted on the tool/drill bit at the time of hole break-through, when the hole becomes clogged with chips and particles, or when striking reinforcing rods embedded in the concrete. **Always use the side grip (auxiliary handle) and firmly hold the tool by both side grip and switch handle during operations.** Failure to do so may result in the loss of control of the tool and potentially severe injury.

Set the action mode changing knob to the  symbol. Position the drill bit at the desired location for the hole, then pull the switch trigger. Do not force the tool. Light pressure gives best results. Keep the tool in position and prevent it from slipping away from the hole.

Do not apply more pressure when the hole becomes clogged with chips or particles. Instead, run the tool at an idle, then remove the drill bit partially from the hole. By repeating this several times, the hole will be cleaned out and normal drilling may be resumed.

NOTE: Eccentricity in the drill bit rotation may occur while operating the tool with no load. The tool automatically centers itself during operation. This does not affect the drilling precision.

Chipping/Scaling/Demolition

Set the action mode changing knob to the  symbol. Hold the tool firmly with both hands. Turn the tool on and apply slight pressure on the tool so that the tool will not bounce around, uncontrolled. Pressing very hard on the tool will not increase the efficiency.

► Fig.32

Drilling in wood or metal

CAUTION: Hold the tool firmly and exert care when the drill bit begins to break through the workpiece. There is a tremendous force exerted on the tool/drill bit at the time of hole break through.

CAUTION: A stuck drill bit can be removed simply by setting the reversing switch to reverse rotation in order to back out. However, the tool may back out abruptly if you do not hold it firmly.

CAUTION: Always secure workpieces in a vise or similar hold-down device.

NOTICE: Never use “rotation with hammering” when the drill chuck is installed on the tool. The drill chuck may be damaged.

Also, the drill chuck will come off when reversing the tool.

NOTICE: Pressing excessively on the tool will not speed up the drilling. In fact, this excessive pressure will only serve to damage the tip of your drill bit, decrease the tool performance and shorten the service life of the tool.

Set the action mode changing knob to the  symbol.

For DHR280/DHR282

Optional accessory

Attach the chuck adapter to a keyless drill chuck to which 1/2"-20 size screw can be installed, and then install them to the tool. When installing it, refer to the section “Installing or removing drill bit”.

► Fig.33: 1. Keyless drill chuck 2. Chuck adapter

For DHR281/DHR283

Use the quick change drill chuck as standard equipment. When installing it, refer to “changing the quick change chuck for SDS-plus”.


Hold the ring and turn the sleeve counterclockwise to open the chuck jaws. Place the bit in the chuck as far as it will go. Hold the ring firmly and turn the sleeve clockwise to tighten the chuck.

► Fig.34: 1. Sleeve 2. Ring

To remove the bit, hold the ring and turn the sleeve counterclockwise.

Diamond core drilling

NOTICE: If performing diamond core drilling operations using “rotation with hammering” action, the diamond core bit may be damaged.

When performing diamond core drilling operations, always set the change lever to the  position to use “rotation only” action.

Beating dust on the filter

Optional accessory

CAUTION: Do not turn the dial on the dust case while the dust case is removed from the dust collection system. Doing so may cause dust inhalation.

CAUTION: Always switch off the tool when turning the dial on the dust case. Turning the dial while the tool is running may result in the loss of control of the tool.

By beating the dust on the filter inside the dust case, you can keep the vacuum efficiency and also reduce the number of times to dispose of the dust. Turn the dial on the dust case three times after collecting every 50,000 mm³ of dust or when you feel the vacuum performance declined.

NOTE: 50,000 mm³ of dust equivalents to drilling 10 holes of $\varnothing 10$ mm and 65 mm depth (14 holes of $\varnothing 3/8$ " and 2" depth).

► Fig.35: 1. Dust case 2. Dial

Disposing of dust

Optional accessory

CAUTION: Always be sure that the tool is switched off and the battery cartridge is removed before carrying out any work on the tool.

CAUTION: Be sure to wear dust mask when disposing of dust.

CAUTION: Empty the dust case regularly before the dust case becomes full. Failure to do so may decrease the dust collection performance and cause dust inhalation.

CAUTION: The performance of dust collection decreases if the filter in the dust case become clogged. Replace the filter with new one after approximately 200 times of dust fulfillment as a guide. Failure to do so may cause dust inhalation.

1. Remove the dust case while pressing down the lever of the dust case.

► Fig.36: 1. Lever

2. Open the cover of the dust case.

► Fig.37: 1. Cover

3. Dispose of the dust, and then clean the filter.

► Fig.38

NOTICE: When cleaning the filter, do not touch the filter with brush or similar, or blow compressed air on the filter. It may damage the filter.

Blow-out bulb

Optional accessory

After drilling the hole, use the blow-out bulb to clean the dust out of the hole.

► Fig.39

Using dust cup set

Optional accessory

Fit the dust cup set against the ceiling when operating the tool.

► Fig.40

NOTICE: Do not use the dust cup set when drilling in metal or similar. It may damage the dust cup set due to the heat produced by small metal dust or similar.

NOTICE: Do not install or remove the dust cup set with the drill bit installed in the tool. It may damage the dust cup set and cause dust leak.

WIRELESS ACTIVATION FUNCTION

Optional accessory for DHR282/DHR283

What you can do with the wireless activation function

The wireless activation function enables clean and comfortable operation. By connecting a supported vacuum cleaner to the tool, you can run the vacuum cleaner automatically along with the switch operation of the tool.

► Fig.41

To use the wireless activation function, prepare following items:

- A wireless unit (optional accessory)
- A vacuum cleaner which supports the wireless activation function

The overview of the wireless activation function setting is as follows. Refer to each section for detail procedures.

1. Installing the wireless unit
2. Tool registration for the vacuum cleaner
3. Starting the wireless activation function

Installing the wireless unit

Optional accessory

CAUTION: Place the tool on a flat and stable surface when installing the wireless unit.

NOTICE: Clean the dust and dirt on the tool before installing the wireless unit. Dust or dirt may cause malfunction if it comes into the slot of the wireless unit.

NOTICE: To prevent the malfunction caused by static, touch a static discharging material, such as a metal part of the tool, before picking up the wireless unit.

NOTICE: When installing the wireless unit, always be sure that the wireless unit is inserted in the correct direction and the lid is completely closed.

1. Open the lid on the tool as shown in the figure.
► Fig.42: 1. Lid
2. Insert the wireless unit to the slot and then close the lid.

When inserting the wireless unit, align the projections with the recessed portions on the slot.

- Fig.43: 1. Wireless unit 2. Projection 3. Lid
4. Recessed portion

When removing the wireless unit, open the lid slowly. The hooks on the back of the lid will lift the wireless unit as you pull up the lid.

- Fig.44: 1. Wireless unit 2. Hook 3. Lid

After removing the wireless unit, keep it in the supplied case or a static-free container.

NOTICE: Always use the hooks on the back of the lid when removing the wireless unit. If the hooks do not catch the wireless unit, close the lid completely and open it slowly again.

Tool registration for the vacuum cleaner

NOTE: A Makita vacuum cleaner supporting the wireless activation function is required for the tool registration.

NOTE: Finish installing the wireless unit to the tool before starting the tool registration.

NOTE: During the tool registration, do not pull the switch trigger or turn on the power switch on the vacuum cleaner.

NOTE: Refer to the instruction manual of the vacuum cleaner, too.

If you wish to activate the vacuum cleaner along with the switch operation of the tool, finish the tool registration beforehand.

1. Install the batteries to the vacuum cleaner and the tool.
2. Set the stand-by switch on the vacuum cleaner to "AUTO".

► Fig.45: 1. Stand-by switch

3. Press the wireless activation button on the vacuum cleaner for 3 seconds until the wireless activation lamp blinks in green. And then press the wireless activation button on the tool in the same way.

► **Fig.46:** 1. Wireless activation button 2. Wireless activation lamp

If the vacuum cleaner and the tool are linked successfully, the wireless activation lamps will light up in green for 2 seconds and start blinking in blue.

NOTE: The wireless activation lamps finish blinking in green after 20 seconds elapsed. Press the wireless activation button on the tool while the wireless activation lamp on the cleaner is blinking. If the wireless activation lamp does not blink in green, push the wireless activation button briefly and hold it down again.

NOTE: When performing two or more tool registrations for one vacuum cleaner, finish the tool registration one by one.

Starting the wireless activation function

NOTE: Finish the tool registration for the vacuum cleaner prior to the wireless activation.

NOTE: Refer to the instruction manual of the vacuum cleaner, too.

After registering a tool to the vacuum cleaner, the vacuum cleaner will automatically runs along with the switch operation of the tool.

1. Install the wireless unit to the tool.

2. Connect the hose of the vacuum cleaner with the tool.

► **Fig.47**

3. Set the stand-by switch on the vacuum cleaner to "AUTO".

► **Fig.48:** 1. Stand-by switch

4. Push the wireless activation button on the tool briefly. The wireless activation lamp will blink in blue.

► **Fig.49:** 1. Wireless activation button 2. Wireless activation lamp

5. Pull the switch trigger of the tool. Check if the vacuum cleaner runs while the switch trigger is being pulled.

To stop the wireless activation of the vacuum cleaner, push the wireless activation button on the tool.

NOTE: The wireless activation lamp on the tool will stop blinking in blue when there is no operation for 2 hours. In this case, set the stand-by switch on the vacuum cleaner to "AUTO" and push the wireless activation button on the tool again.

NOTE: The vacuum cleaner starts/stops with a delay. There is a time lag when the vacuum cleaner detects a switch operation of the tool.










NOTE: The transmission distance of the wireless unit may vary depending on the location and surrounding circumstances.

NOTE: When two or more tools are registered to one vacuum cleaner, the vacuum cleaner may start running even if you don't pull the switch trigger because another user is using the wireless activation function.

Description of the wireless activation lamp status

► **Fig.50:** 1. Wireless activation lamp

The wireless activation lamp shows the status of the wireless activation function. Refer to the table below for the meaning of the lamp status.

| Status | Wireless activation lamp | | | | Description |
|------------------------------|--------------------------|---|---|---------------------------|--|
| | Color |  On |  Blinking | Duration | |
| Standby | Blue |  | | 2 hours | The wireless activation of the vacuum cleaner is available. The lamp will automatically turn off when no operation is performed for 2 hours. |
| | |  | | When the tool is running. | The wireless activation of the vacuum cleaner is available and the tool is running. |
| Tool registration | Green |  | | 20 seconds | Ready for the tool registration. Waiting for the registration by the vacuum cleaner. |
| | |  | | 2 seconds | The tool registration has been finished. The wireless activation lamp will start blinking in blue. |
| Cancelling tool registration | Red |  | | 20 seconds | Ready for the cancellation of the tool registration. Waiting for the cancellation by the vacuum cleaner. |
| | |  | | 2 seconds | The cancellation of the tool registration has been finished. The wireless activation lamp will start blinking in blue. |
| Others | Red |  | | 3 seconds | The power is supplied to the wireless unit and the wireless activation function is starting up. |
| | Off | - | | - | The wireless activation of the vacuum cleaner is stopped. |

Cancelling tool registration for the vacuum cleaner

Perform the following procedure when cancelling the tool registration for the vacuum cleaner.

1. Install the batteries to the vacuum cleaner and the tool.

2. Set the stand-by switch on the vacuum cleaner to "AUTO".

► **Fig.51:** 1. Stand-by switch

3. Press the wireless activation button on the vacuum cleaner for 6 seconds. The wireless activation lamp blinks in green and then become red. After that, press the wireless activation button on the tool in the same way.

► **Fig.52:** 1. Wireless activation button 2. Wireless activation lamp

If the cancellation is performed successfully, the wireless activation lamps will light up in red for 2 seconds and start blinking in blue.

NOTE: The wireless activation lamps finish blinking in red after 20 seconds elapsed. Press the wireless activation button on the tool while the wireless activation lamp on the cleaner is blinking. If the wireless activation lamp does not blink in red, push the wireless activation button briefly and hold it down again.

Troubleshooting for wireless activation function

Before asking for repairs, conduct your own inspection first. If you find a problem that is not explained in the manual, do not attempt to dismantle the tool. Instead, ask Makita Authorized Service Centers, always using Makita replacement parts for repairs.

| State of abnormality | Probable cause (malfunction) | Remedy |
|--|--|---|
| The wireless activation lamp does not light/blink. | The wireless unit is not installed into the tool. The wireless unit is improperly installed into the tool. | Install the wireless unit correctly. |
| | The terminal of the wireless unit and/or the slot is dirty. | Gently wipe off dust and dirt on the terminal of the wireless unit and clean the slot. |
| | The wireless activation button on the tool has not been pushed. | Push the wireless activation button on the tool briefly. |
| | The stand-by switch on the vacuum cleaner is not set to "AUTO". | Set the stand-by switch on the vacuum cleaner to "AUTO". |
| | No power supply | Supply the power to the tool and the vacuum cleaner. |
| Cannot finish tool registration / cancelling tool registration successfully. | The wireless unit is not installed into the tool. The wireless unit is improperly installed into the tool. | Install the wireless unit correctly. |
| | The terminal of the wireless unit and/or the slot is dirty. | Gently wipe off dust and dirt on the terminal of the wireless unit and clean the slot. |
| | The stand-by switch on the vacuum cleaner is not set to "AUTO". | Set the stand-by switch on the vacuum cleaner to "AUTO". |
| | No power supply | Supply the power to the tool and the vacuum cleaner. |
| | Incorrect operation | Push the wireless activation button briefly and perform the tool registration/cancellation procedures again. |
| | The tool and vacuum cleaner are away from each other (out of the transmission range). | Get the tool and vacuum cleaner closer to each other. The maximum transmission distance is approximately 10 m however it may vary according to the circumstances. |
| | Before finishing the tool registration/cancellation; - the switch trigger on the tool is pulled or; - the power button on the vacuum cleaner is turned on. | Push the wireless activation button briefly and perform the tool registration/cancellation procedures again. |
| | The tool registration procedures for the tool or vacuum cleaner has not finished. | Perform the tool registration procedures for both the tool and the vacuum cleaner at the same timing. |
| Radio disturbance by other appliances which generate high-intensity radio waves. | Keep the tool and vacuum cleaner away from the appliances such as Wi-Fi devices and microwave ovens. | |

| State of abnormality | Probable cause (malfunction) | Remedy |
|--|---|---|
| The vacuum cleaner does not run along with the switch operation of the tool. | The wireless unit is not installed into the tool. The wireless unit is improperly installed into the tool. | Install the wireless unit correctly. |
| | The terminal of the wireless unit and/or the slot is dirty. | Gently wipe off dust and dirt on the terminal of the wireless unit and clean the slot. |
| | The wireless activation button on the tool has not been pushed. | Push the wireless activation button briefly and make sure that the wireless activation lamp is blinking in blue. |
| | The stand-by switch on the vacuum cleaner is not set to "AUTO". | Set the stand-by switch on the vacuum cleaner to "AUTO". |
| | More than 10 tools are registered to the vacuum cleaner. | Perform the tool registration again. If more than 10 tools are registered to the vacuum cleaner, the tool registered earliest will be cancelled automatically. |
| | The vacuum cleaner erased all tool registrations. | Perform the tool registration again. |
| | No power supply | Supply the power to the tool and the vacuum cleaner. |
| | The tool and vacuum cleaner are away from each other (out of the transmission range). | Get the tool and vacuum cleaner closer each other. The maximum transmission distance is approximately 10 m however it may vary according to the circumstances. |
| | Radio disturbance by other appliances which generate high-intensity radio waves. | Keep the tool and vacuum cleaner away from the appliances such as Wi-Fi devices and microwave ovens. |
| The vacuum cleaner runs while the tool's switch trigger is not pulled. | Other users are using the wireless activation of the vacuum cleaner with their tools. | Turn off the wireless activation button of the other tools or cancel the tool registration of the other tools. |

MAINTENANCE

CAUTION: Always be sure that the tool is switched off and the battery cartridge is removed before attempting to perform inspection or maintenance.

NOTICE: Never use gasoline, benzine, thinner, alcohol or the like. Discoloration, deformation or cracks may result.

To maintain product SAFETY and RELIABILITY, repairs, any other maintenance or adjustment should be performed by Makita Authorized or Factory Service Centers, always using Makita replacement parts.

Replacing filter of dust case

Optional accessory

- Remove the dust case while pressing down the lever of the dust case.
▶ **Fig.53:** 1. Lever
- Insert the flat-blade screwdriver into the slots of the filter cover to remove the filter cover.
▶ **Fig.54:** 1. Flat-blade screwdriver 2. Filter cover
- Remove the filter from the filter case.
▶ **Fig.55:** 1. Filter 2. Filter case
- Attach a new filter to the filter case, and then attach the filter cover.
- Close the cover of the dust case, and then attach the dust case to the dust collection system.

Replacing sealing cap

Optional accessory

If the sealing cap is worn out, the performance of the dust collection decreases. Replace it if it's worn out. Remove the sealing cap, and then attach a new one with its protrusion facing upward.

- ▶ **Fig.56:** 1. Protrusion 2. Sealing cap

OPTIONAL ACCESSORIES

⚠ CAUTION: These accessories or attachments are recommended for use with your Makita tool specified in this manual. The use of any other accessories or attachments might present a risk of injury to persons. Only use accessory or attachment for its stated purpose.

If you need any assistance for more details regarding these accessories, ask your local Makita Service Center.

- Carbide-tipped drill bits (SDS-Plus carbide-tipped bits)
- Core bit
- Bull point
- Diamond core bit
- Cold chisel
- Scaling chisel
- Grooving chisel
- Chuck adapter
- Keyless drill chuck
- Bit grease
- Depth gauge
- Blow-out bulb
- Dust cup
- Dust cup set
- Dust collection system
- Wireless unit
- Makita genuine battery and charger
- Safety goggles
- Plastic carrying case

NOTE: Some items in the list may be included in the tool package as standard accessories. They may differ from country to country.

SPESIFIKASI

| Model: | DHR280 | DHR281 | DHR282 | DHR283 |
|-----------------------|---------------------------------------|--------|--------|--------|
| Kapasitas | Beton | 28 mm | | |
| | Mata bor berteras | 54 mm | | |
| | Mata bor berteras intan (tipe kering) | 65 mm | | |
| | Baja | 13 mm | | |
| | Kayu | 32 mm | | |
| Kecepatan tanpa beban | 0 - 980 min ⁻¹ | | | |
| Hembusan per menit | 0 - 5.000 min ⁻¹ | | | |
| Panjang keseluruhan | 373 mm | 404 mm | 373 mm | 404 mm |
| Tegangan terukur | D.C. 36 V | | | |
| Berat bersih | 3,9 - 5,1 kg | | | |

Aksesori pilihan

| Model: | DX08 (Untuk DHR280/DHR282) | DX09 (Untuk DHR281/DHR283) |
|-----------------------|----------------------------|----------------------------|
| Kinerja isapan | 350 l/min | |
| Gerakan pengoperasian | Hingga 190 mm | |
| Mata bor yang sesuai | Hingga 260 mm | |
| Tegangan terukur | D.C. 18 V | |
| Berat bersih | 1,6 kg | |

- Karena kesinambungan program penelitian dan pengembangan kami, spesifikasi yang disebutkan di sini dapat berubah tanpa pemberitahuan.
- Spesifikasi dan kartrid baterai dapat berbeda dari satu negara ke negara lainnya.
- Berat alat mungkin berbeda tergantung perangkat tambahan yang dipasang, termasuk kartrid baterai. Kombinasi alat terberat dan teringan, sesuai Prosedur EPTA 01/2014, ditunjukkan pada tabel.

Kartrid baterai yang dapat digunakan

BL1815N / BL1820 / BL1820B / BL1830 / BL1830B / BL1840 / BL1840B / BL1850 / BL1850B / BL1860B

- Beberapa kartrid baterai yang tercantum di atas mungkin tidak tersedia, tergantung wilayah tempat tinggal Anda.

⚠ PERINGATAN: Hanya gunakan kartrid baterai yang tercantum di atas. Penggunaan kartrid baterai lain dapat menimbulkan risiko cedera dan/atau kebakaran.

Simbol

Berikut ini adalah simbol-simbol yang digunakan pada peralatan ini. Pastikan Anda mengerti makna masing-masing simbol sebelum menggunakan alat.



Baca petunjuk penggunaan.



Hanya untuk negara-negara UE
 Jangan membuang peralatan listrik atau paket baterai bersama-sama dengan bahan limbah rumah tangga!
 Dengan memerhatikan Petunjuk Eropa, tentang Limbah Peralatan Listrik dan Elektronik serta Baterai dan Akumulator serta Limbah Baterai dan Akumulator dan pelaksanaannya sesuai dengan ketentuan hukum nasional, peralatan listrik dan baterai dan paket baterai yang telah habis umur pakainya harus dikumpulkan secara terpisah dan dikembalikan ke fasilitas daur ulang yang kompatibel secara lingkungan.

Penggunaan

Mesin ini digunakan untuk pengeboran dengan getas dan mengobor batu bata, beton dan batu serta pekerjaan pemahatan.
 Juga cocok untuk pengeboran tanpa hentakan pada kayu, logam, keramik dan plastik.

PERINGATAN KESELAMATAN

Peringatan keselamatan umum mesin listrik

⚠️ PERINGATAN: Bacalah semua peringatan keselamatan, petunjuk, ilustrasi dan spesifikasi yang disertakan bersama mesin listrik ini. Kelalaian untuk mematuhi semua petunjuk yang tercantum di bawah ini dapat menyebabkan sengatan listrik, kebakaran dan/atau cedera serius.

Simpanlah semua peringatan dan petunjuk untuk acuan di masa depan.

Istilah "mesin listrik" dalam semua peringatan mengacu pada mesin listrik yang dijalankan dengan sumber listrik jala-jala (berkabel) atau baterai (tanpa kabel).

Keselamatan tempat kerja

1. **Jaga tempat kerja selalu bersih dan berpenerangan cukup.** Tempat kerja yang berantakan dan gelap mengundang kecelakaan.
2. **Jangan gunakan mesin listrik dalam lingkungan yang mudah meledak, misalnya jika ada cairan, gas, atau debu yang mudah menyala.** Mesin listrik menimbulkan bunga api yang dapat menyalakan debu atau uap tersebut.
3. **Jauhkan anak-anak dan orang lain saat menggunakan mesin listrik.** Bila perhatian terpecah, anda dapat kehilangan kendali.

Keamanan Kelistrikan

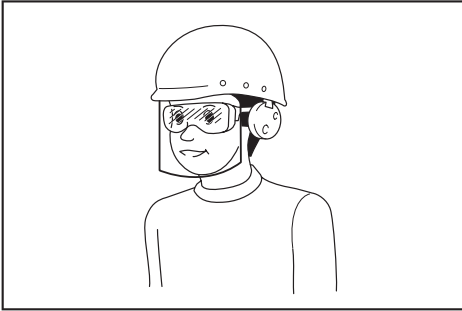
1. **Steker mesin listrik harus cocok dengan stopkontak. Jangan sekali-kali mengubah steker dengan cara apa pun. Jangan menggunakan steker adaptor dengan mesin listrik terbumi (dibumikan).** Steker yang tidak diubah dan stopkontak yang cocok akan mengurangi risiko sengatan listrik.
2. **Hindari sentuhan tubuh dengan permukaan terbumi atau yang dibumikan seperti pipa, radiator, kompor, dan kulkas.** Risiko sengatan listrik bertambah jika tubuh Anda terbumikan atau dibumikan.
3. **Jangan membiarkan mesin listrik kehujanan atau kebasahan.** Air yang masuk ke dalam mesin listrik akan meningkatkan risiko sengatan listrik.
4. **Jangan menyalahgunakan kabel. Jangan sekali-kali menggunakan kabel untuk membawa, menarik, atau mencabut mesin listrik dari stopkontak. Jauhkan kabel dari panas, minyak, tepian tajam, atau bagian yang bergerak.** Kabel yang rusak atau kusut memperbesar risiko sengatan listrik.
5. **Bila menggunakan mesin listrik di luar ruangan, gunakan kabel ekstensi yang sesuai untuk penggunaan di luar ruangan.** Penggunaan kabel yang sesuai untuk penggunaan luar ruangan mengurangi risiko sengatan listrik.

6. **Jika mengoperasikan mesin listrik di lokasi lembap tidak terhindarkan, gunakan pasokan daya yang dilindungi peranti imbasan arus (residual current device - RCD).** Penggunaan RCD mengurangi risiko sengatan listrik.
7. **Mesin listrik dapat menghasilkan medan magnet (EMF) yang tidak berbahaya bagi pengguna.** Namun, pengguna alat pacu jantung atau peralatan medis sejenisnya harus berkonsultasi dengan produsen peralatan tersebut dan/atau dokter mereka sebelum mengoperasikan mesin listrik ini.

Keselamatan Diri

1. **Jaga kewaspadaan, perhatikan pekerjaan Anda dan gunakan akal sehat bila menggunakan mesin listrik. Jangan menggunakan mesin listrik saat Anda lelah atau di bawah pengaruh obat bius, alkohol, atau obat.** Sekejap saja lalai saat menggunakan mesin listrik dapat menyebabkan cedera badan serius.
2. **Gunakan alat pelindung diri. Selalu gunakan pelindung mata.** Peralatan pelindung seperti masker debu, sepatu pengaman anti-selip, helm pengaman, atau pelindung telinga yang digunakan untuk kondisi yang sesuai akan mengurangi risiko cedera badan.
3. **Cegah penyalaaan yang tidak disengaja. Pastikan bahwa sakelar berada dalam posisi mati (off) sebelum menghubungkan mesin ke sumber daya dan/atau paket baterai, atau mengangkat atau membawanya.** Membawa mesin listrik dengan jari Anda pada sakelarnya atau mengalirkan listrik pada mesin listrik yang sakelarnya hidup (on) akan mengundang kecelakaan.
4. **Lepaskan kunci-kunci penyetel sebelum menghidupkan mesin listrik.** Kunci-kunci yang masih terpasang pada bagian mesin listrik yang berputar dapat menyebabkan cedera.
5. **Jangan meraih terlalu jauh. Jagalah pijakan dan keseimbangan sepanjang waktu.** Hal ini memungkinkan kendali yang lebih baik atas mesin listrik dalam situasi yang tidak diharapkan.
6. **Kenakan pakaian yang memadai. Jangan memakai pakaian yang longgar atau perhiasan. Jaga jarak antara rambut dan pakaian Anda dengan komponen mesin yang bergerak.** Pakaian yang longgar, perhiasan, atau rambut yang panjang dapat tersangkut pada komponen yang bergerak.
7. **Jika tersedia fasilitas untuk menghisap dan mengumpulkan debu, pastikan fasilitas tersebut terhubung listrik dan digunakan dengan baik.** Penggunaan pembersih debu dapat mengurangi bahaya yang terkait dengan debu.
8. **Jangan sampai Anda lelah dan mengabaikan prinsip keselamatan mesin ini hanya karena sudah sering mengoperasikannya dan sudah merasa terbiasa.** Tindakan yang lalai dapat menyebabkan cedera berat dalam sepersekian detik saja.

9. **Selalu kenakan kacamata pelindung untuk melindungi mata dari cedera saat menggunakan mesin listrik. Kacamata harus sesuai dengan ANSI Z87.1 di Amerika Serikat, EN 166 di Eropa, atau AS/NZS 1336 di Australia/Selandia Baru. Di Australia/Selandia Baru, secara hukum Anda juga diwajibkan mengenakan pelindung wajah untuk melindungi wajah Anda.**



Menjadi tanggung jawab atasan untuk menerapkan penggunaan alat pelindung keselamatan yang tepat bagi operator mesin dan orang lain yang berada di area kerja saat itu.

Penggunaan dan pemeliharaan mesin listrik

1. **Jangan memaksa mesin listrik. Gunakan mesin listrik yang tepat untuk keperluan Anda.** Mesin listrik yang tepat akan menuntaskan pekerjaan dengan lebih baik dan aman pada kecepatan sesuai rancangannya.
2. **Jangan gunakan mesin listrik jika sakelar tidak dapat menyala dan mematkannya.** Mesin listrik yang tidak dapat dikendalikan dengan sakelarnya adalah berbahaya dan harus diperbaiki.
3. **Cabut steker dari sumber listrik dan/atau lepas paket baterai, jika dapat dilepas, dari mesin listrik sebelum melakukan penyetelan apa pun, mengganti aksesor, atau menyimpan mesin listrik.** Langkah keselamatan preventif tersebut mengurangi risiko hidupnya mesin secara tak sengaja.
4. **Simpan mesin listrik jauh dari jangkauan anak-anak dan jangan biarkan orang yang tidak paham mengenai mesin listrik tersebut atau petunjuk ini menggunakan mesin listrik.** Mesin listrik sangat berbahaya di tangan pengguna yang tak terlatih.
5. **Rawatlah mesin listrik dan aksesor. Periksa apakah ada komponen bergerak yang tidak lurus atau macet, komponen yang pecah, dan kondisi-kondisi lain yang dapat memengaruhi pengoperasian mesin listrik. Jika rusak, perbaiki mesin listrik terlebih dahulu sebelum digunakan.** Banyak kecelakaan disebabkan oleh kurangnya pemeliharaan mesin listrik.
6. **Jaga agar mesin pemotong tetap tajam dan bersih.** Mesin pemotong yang terawat baik dengan mata pemotong yang tajam tidak mudah macet dan lebih mudah dikendalikan.
7. **Gunakan mesin listrik, aksesor, dan mata mesin, dll. sesuai dengan petunjuk ini, dengan memperhitungkan kondisi kerja dan jenis pekerjaan yang dilakukan.** Penggunaan mesin listrik untuk penggunaan yang lain dari peruntukan dapat menimbulkan situasi berbahaya.
8. **Jagalah agar gagang dan permukaan pegangan tetap kering, bersih, dan bebas dari minyak dan pelumas.** Gagang dan permukaan pegangan yang licin tidak mendukung keamanan penanganan dan pengendalian mesin dalam situasi-situasi tak terduga.
9. **Ketika menggunakan mesin, jangan menggunakan sarung tangan kain yang dapat tersangkut.** Sarung tangan kain yang tersangkut pada komponen bergerak dapat mengakibatkan cedera pada pengguna.

Penggunaan dan pemeliharaan mesin bertenaga baterai

1. **Isi ulang baterai hanya dengan pengisi daya yang ditentukan oleh pabrik.** Pengisi daya yang cocok untuk satu jenis paket baterai dapat menimbulkan risiko kebakaran ketika digunakan untuk paket baterai yang lain.
2. **Gunakan mesin listrik hanya dengan paket baterai yang telah ditentukan secara khusus.** Penggunaan paket baterai lain dapat menimbulkan risiko cedera dan kebakaran.
3. **Ketika paket baterai tidak digunakan, jauhkan dari benda logam lain, seperti penjepit kertas, uang logam, kunci, paku, sekrup atau benda logam kecil lainnya, yang dapat menghubungkan satu terminal ke terminal lain.** Hubungan singkat terminal baterai dapat menyebabkan luka bakar atau kebakaran.
4. **Pemakaian yang salah, dapat menyebabkan keluarnya cairan dari baterai; hindari kontak. Jika terjadi kontak secara tidak sengaja, bilas dengan air. Jika cairan mengenai mata, cari bantuan medis.** Cairan yang keluar dari baterai bisa menyebabkan iritasi atau luka bakar.
5. **Jangan menggunakan paket baterai atau mesin yang sudah rusak atau telah diubah.** Baterai yang rusak atau telah diubah dapat menyebabkan hal-hal yang tidak dapat diprediksi yang dapat menyebabkan kebakaran, ledakan atau risiko cedera.
6. **Jangan membiarkan paket baterai atau mesin dekat dengan api atau suhu yang berlebihan.** Paparan api atau suhu di atas 130 °C dapat menyebabkan ledakan.
7. **Ikuti semua petunjuk pengisian daya dan jangan mengisi daya paket baterai atau mesin di luar rentang suhu yang ditentukan di panduan.** Mengisi daya secara tidak tepat atau pada suhu di luar rentang yang ditentukan dapat merusak baterai dan meningkatkan risiko kebakaran.

Servis

1. **Berikan mesin listrik untuk diperbaiki hanya kepada oleh teknisi yang berkualifikasi dengan menggunakan hanya suku cadang pengganti yang serupa.** Hal ini akan menjamin terjaganya keamanan mesin listrik.

2. **Jangan pernah memperbaiki paket baterai yang sudah rusak.** Perbaikan paket baterai harus dilakukan hanya oleh produsen atau penyedia servis resmi.
3. **Patuhi petunjuk pelumasan dan penggantian aksesoris.**

PERINGATAN KESELAMATAN MESIN BOR GETAR ROTARI TANPA KABEL

1. **Kenakan pelindung telinga.** Terpaan kebisingan dapat menyebabkan hilangnya pendengaran.
2. **Gunakan gagang tambahan, jika disertakan bersama mesin ini.** Kehilangan kendali dapat menyebabkan cedera.
3. **Pegang mesin listrik pada permukaan genggam yang terisolasi saat melakukan pekerjaan bila aksesoris pemotong mungkin bersentuhan dengan kawat tersembunyi.** Aksesoris pemotong yang menyentuh kawat "hidup" dapat menyebabkan bagian logam pada mesin teraliri arus listrik dan menyengat pengguna.
4. **Kenakan helm pengaman, kaca mata pengaman dan/atau pelindung muka.** Kaca mata biasa atau kaca mata hitam **BUKANLAH** kaca mata pengaman. Anda sangat dianjurkan untuk mengenakan masker debu dan sarung tangan tebal.
5. **Pastikan mata mesin terpasang pada tempatnya sebelum penggunaan.**
6. **Pada penggunaan normal, mesin dirancang untuk menghasilkan getaran.** Sekrup bisa menjadi longgar dengan mudah, menyebabkan kerusakan atau kecelakaan. Periksa kekencangan sekrup sebelum penggunaan.
7. **Pada cuaca dingin atau ketika mesin telah lama tidak digunakan, lakukan pemanasan pada mesin beberapa saat dengan mengoperasikannya tanpa beban.** Hal ini akan memperlancar pelumasan. Tanpa pemanasan yang tepat, pengerjaan pembobokan menjadi sulit.
8. **Selalu pastikan Anda memiliki pijakan kuat.** Pastikan tidak ada orang di bawah Anda ketika menggunakan mesin di lokasi tinggi.
9. **Pegang mesin kuat-kuat dengan kedua tangan.**
10. **Jauhkan tangan dari bagian yang berputar.**
11. **Jangan tinggalkan mesin dalam keadaan hidup.** Jalankan mesin hanya ketika digenggam tangan.
12. **Jangan mengarahkan mesin pada siapa pun di tempat kerja ketika mengoperasikan.** Mata mesin bisa terlempar dan melukai orang dengan serius.
13. **Jangan menyentuh mata mesin, bagian yang berdekatan dengan mata mesin, atau benda kerja segera setelah pengoperasian;** suhunya mungkin masih sangat panas dan dapat membakar kulit Anda.

14. **Bahan tertentu mengandung zat kimia yang mungkin beracun.** Hindari menghirup debu dan persentuhan dengan kulit. Ikuti data keselamatan bahan dari pemasok.
15. **Selalu pastikan bahwa mesin dimatikan dan kartrid baterai dilepas serta mata dilepas sebelum memberikan mesin kepada orang lain.**

SIMPAN PETUNJUK INI.

⚠️ PERINGATAN: JANGAN biarkan kenyamanan atau terbiasanya Anda dengan produk (karena penggunaan berulang) mengurangi kepatuhan yang ketat terhadap aturan keselamatan untuk produk yang terkait. **PENYALAHGUNAAN** atau kelalaian mematuhi kaidah keselamatan yang tertera dalam petunjuk ini dapat menyebabkan cedera badan serius.

Petunjuk keselamatan penting untuk kartrid baterai

1. **Sebelum menggunakan kartrid baterai, bacalah semua petunjuk dan penandaan pada (1) pengisi daya baterai, (2) baterai, dan (3) produk yang menggunakan baterai.**
2. **Jangan membongkar kartrid baterai.**
3. **Jika waktu beroperasinya menjadi sangat singkat, segera hentikan penggunaan.** Hal tersebut dapat menimbulkan risiko panas berlebih, kemungkinan mengalami luka bakar atau bahkan terjadi ledakan.
4. **Jika elektrolit mengenai mata Anda, basuh dengan air bersih dan segera cari pertolongan medis.** Hal tersebut dapat mengakibatkan hilangnya kemampuan penglihatan Anda.
5. **Jangan menghubungkan terminal kartrid baterai:**
 - (1) **Jangan menyentuh terminal dengan bahan penghantar listrik apa pun.**
 - (2) **Hindari menyimpan kartrid baterai pada wadah yang berisi benda logam lain seperti paku, uang logam, dsb.**
 - (3) **Jangan membiarkan baterai terkena air atau hujan.**

Hubungan singkat baterai dapat menyebabkan aliran arus listrik yang besar, panas berlebih, kemungkinan mengalami luka bakar dan bahkan kerusakan pada baterai.
6. **Jangan menyimpan mesin dan kartrid baterai pada lokasi dengan suhu yang bisa mencapai atau melebihi 50 °C.**
7. **Jangan membuang kartrid baterai di tempat pembakaran sampah walaupun benar-benar rusak atau tidak bisa digunakan sama sekali.** Kartrid baterai bisa meledak jika terbakar.
8. **Berhati-hatilah jangan sampai baterai jatuh atau terbentur.**
9. **Jangan menggunakan baterai yang rusak.**

10. **Baterai litium-ion yang disertakan sesuai dengan persyaratan Perundangan Makanan Berbahaya.**
Harus ada pengawasan untuk pengangkutan komersial misalnya oleh pihak ketiga, ekspeditor, persyaratan khusus terhadap pengemasan dan pelabelan.
Diperlukan adanya konsultasi dengan ahli mengenai material berbahaya untuk persiapan barang yang akan dikirimkan. Perhatikan pula peraturan nasional yang lebih terperinci yang mungkin ada.
Beri perekat atau tutupi bagian yang terbuka dan kemasi baterai dengan cara yang tidak akan menimbulkan pergeseran dalam pengemasan.
11. **Patuhi peraturan setempat yang berkaitan dengan pembuangan baterai.**
12. **Gunakan baterai hanya dengan produk yang ditentukan oleh Makita.** Memasang baterai pada produk yang tidak sesuai dapat menyebabkan kebakaran, kelebihan panas, ledakan, atau kebocoran elektrolit.
6. **Jangan menggunakan unit nirkabel di tempat-tempat yang dekat dengan peralatan medis, seperti alat pacu jantung.**
7. **Jangan menggunakan unit nirkabel di tempat-tempat yang dekat dengan perangkat otomatis.** Jika tetap digunakan, perangkat otomatis dapat menjadi tidak berfungsi atau rusak.
8. **Jangan mengoperasikan unit nirkabel di tempat-tempat yang bersuhu tinggi atau tempat-tempat yang dapat menghasilkan listrik statis atau gangguan listrik.**
9. **Unit nirkabel dapat menghasilkan medan magnet (EMF), tetapi medan magnet ini tidak berbahaya bagi pengguna.**
10. **Unit nirkabel merupakan suatu peralatan yang akurat.** Berhati-hatilah jangan sampai unit nirkabel jatuh atau terbentur.
11. **Jangan menyentuh terminal unit nirkabel dengan tangan tanpa pelindung atau dengan barang berbahan logam.**
12. **Selalu lepaskan baterai dari produk ketika memasang unit nirkabel ke dalamnya.**
13. **Ketika membuka penutup celah hindari tempat yang dapat mengakibatkan debu dan air masuk ke dalam celah.** Selalu jaga tempat masuk celah dalam keadaan bersih.
14. **Selalu masukkan unit nirkabel dengan arah yang benar.**
15. **Jangan menekan tombol pengaktifan nirkabel pada unit nirkabel terlalu kuat dan/atau menekan tombol dengan benda berujung tajam.**
16. **Selalu tutup bagian penutup celah selama digunakan.**
17. **Jangan melepaskan unit nirkabel dari celah ketika daya sedang mengalir ke dalam mesin.** Melakukan hal ini dapat menyebabkan kerusakan fungsi pada unit nirkabel.
18. **Jangan melepaskan stiker pada unit nirkabel.**
19. **Jangan menempelkan stiker apa pun pada unit nirkabel.**
20. **Jangan meninggalkan unit nirkabel di tempat yang dapat menghasilkan listrik statis atau gangguan listrik.**
21. **Jangan meninggalkan unit nirkabel di tempat dengan panas tinggi seperti pada mobil di bawah sinar matahari langsung.**
22. **Jangan meninggalkan unit nirkabel di tempat berdebu atau berserbuk atau di tempat yang dapat menghasilkan gas yang bersifat korosif.**
23. **Perubahan suhu secara mendadak dapat mengakibatkan unit nirkabel menjadi berembun.** Jangan menggunakan unit nirkabel hingga embun telah benar-benar kering.
24. **Ketika membersihkan unit nirkabel, usap dengan hati-hati menggunakan kain lembut dan kering.** Jangan menggunakan benzena, tiner, gemuk konduktif atau sejenisnya.
25. **Ketika menyimpan unit nirkabel, simpan dalam kotak yang disediakan atau wadah bebas listrik statis.**
26. **Jangan memasukkan perangkat apa pun selain unit nirkabel Makita ke dalam celah pada mesin.**

SIMPAN PETUNJUK INI.

⚠️PERHATIAN: Gunakan baterai asli Makita. Penggunaan baterai Makita yang tidak asli, atau baterai yang sudah diubah, akan mengakibatkan baterai mudah terbakar, cedera dan kerusakan. Akan menghilangkan garansi Makita pada pengisi daya dan alat Makita.

Tip untuk menjaga agar umur pemakaian baterai maksimum

1. **Isi ulang kartrid baterai sebelum habis sama sekali.** Selalu hentikan penggunaan mesin dan ganti kartrid baterai jika Anda melihat bahwa mesin kurang tenaga.
2. **Jangan pernah mengisi ulang kartrid baterai yang sudah diisi penuh.** Pengisian ulang yang berlebih memperpendek umur pemakaian baterai.
3. **Isi ulang kartrid baterai pada suhu ruangan 10 °C - 40 °C.** Biarkan kartrid baterai yang panas menjadi dingin terlebih dahulu sebelum diisi ulang.
4. **Isi ulang daya kartrid baterai jika Anda tidak menggunakannya untuk jangka waktu yang lama (lebih dari enam bulan).**

Petunjuk keselamatan penting untuk unit nirkabel

1. **Jangan membongkar atau memodifikasi unit nirkabel.**
2. **Jauhkan unit nirkabel dari anak kecil.** Jika tidak sengaja tertelan, segera minta pertolongan medis.
3. **Gunakan unit nirkabel hanya dengan peralatan Makita.**
4. **Pastikan unit nirkabel tidak keujanan atau basah.**
5. **Jangan menggunakan unit nirkabel di tempat-tempat yang bersuhu lebih dari 50°C.**
6. **Jangan menggunakan unit nirkabel di tempat-tempat yang dekat dengan peralatan medis, seperti alat pacu jantung.**
7. **Jangan menggunakan unit nirkabel di tempat-tempat yang dekat dengan perangkat otomatis.** Jika tetap digunakan, perangkat otomatis dapat menjadi tidak berfungsi atau rusak.
8. **Jangan mengoperasikan unit nirkabel di tempat-tempat yang bersuhu tinggi atau tempat-tempat yang dapat menghasilkan listrik statis atau gangguan listrik.**
9. **Unit nirkabel dapat menghasilkan medan magnet (EMF), tetapi medan magnet ini tidak berbahaya bagi pengguna.**
10. **Unit nirkabel merupakan suatu peralatan yang akurat.** Berhati-hatilah jangan sampai unit nirkabel jatuh atau terbentur.
11. **Jangan menyentuh terminal unit nirkabel dengan tangan tanpa pelindung atau dengan barang berbahan logam.**
12. **Selalu lepaskan baterai dari produk ketika memasang unit nirkabel ke dalamnya.**
13. **Ketika membuka penutup celah hindari tempat yang dapat mengakibatkan debu dan air masuk ke dalam celah.** Selalu jaga tempat masuk celah dalam keadaan bersih.
14. **Selalu masukkan unit nirkabel dengan arah yang benar.**
15. **Jangan menekan tombol pengaktifan nirkabel pada unit nirkabel terlalu kuat dan/atau menekan tombol dengan benda berujung tajam.**
16. **Selalu tutup bagian penutup celah selama digunakan.**
17. **Jangan melepaskan unit nirkabel dari celah ketika daya sedang mengalir ke dalam mesin.** Melakukan hal ini dapat menyebabkan kerusakan fungsi pada unit nirkabel.
18. **Jangan melepaskan stiker pada unit nirkabel.**
19. **Jangan menempelkan stiker apa pun pada unit nirkabel.**
20. **Jangan meninggalkan unit nirkabel di tempat yang dapat menghasilkan listrik statis atau gangguan listrik.**
21. **Jangan meninggalkan unit nirkabel di tempat dengan panas tinggi seperti pada mobil di bawah sinar matahari langsung.**
22. **Jangan meninggalkan unit nirkabel di tempat berdebu atau berserbuk atau di tempat yang dapat menghasilkan gas yang bersifat korosif.**
23. **Perubahan suhu secara mendadak dapat mengakibatkan unit nirkabel menjadi berembun.** Jangan menggunakan unit nirkabel hingga embun telah benar-benar kering.
24. **Ketika membersihkan unit nirkabel, usap dengan hati-hati menggunakan kain lembut dan kering.** Jangan menggunakan benzena, tiner, gemuk konduktif atau sejenisnya.
25. **Ketika menyimpan unit nirkabel, simpan dalam kotak yang disediakan atau wadah bebas listrik statis.**
26. **Jangan memasukkan perangkat apa pun selain unit nirkabel Makita ke dalam celah pada mesin.**

27. **Jangan menggunakan mesin jika penutup celah rusak.** Air, debu, dan kotoran yang masuk ke dalam celah dapat mengakibatkan malafungsi.
28. **Jangan menarik dan/atau memutar penutup celah lebih dari yang diperlukan.** Pasang ke tempatnya semula jika penutup terlepas dari mesin.
29. **Ganti penutup celah jika hilang atau rusak.**

SIMPAN PETUNJUK INI.

DESKRIPSI FUNGSI

⚠PERHATIAN: Selalu pastikan bahwa mesin dimatikan dan kartrid baterai dilepas sebelum menyatel atau memeriksa kerja mesin.

Memasang atau melepas baterai

⚠PERHATIAN: Selalu matikan mesin sebelum memasang atau melepas kartrid baterai.

⚠PERHATIAN: Pegang mesin dan kartrid baterai kuat-kuat saat memasang atau melepas kartrid baterai. Kelalaian untuk memegang mesin dan kartrid baterai kuat-kuat bisa menyebabkan keduanya tergelincir dari tangan Anda dan mengakibatkan kerusakan pada mesin dan kartrid baterai dan cedera diri.

- **Gbr.1:** 1. Indikator berwarna merah 2. Tombol 3. Kartrid baterai

Untuk melepas kartrid baterai, geser dari mesin sambil menggeser tombol pada bagian depan kartrid.

Untuk memasang kartrid baterai, sejajarkan lidah kartrid baterai dengan alur pada rumah dan masukkan ke dalam tempatnya. Masukkan seluruhnya sampai terkunci pada tempatnya dan terdengar bunyi klik kecil. Jika Anda bisa melihat indikator berwarna merah pada sisi atas tombol, berarti tidak terkunci sepenuhnya.

⚠PERHATIAN: Selalu pasang kartrid baterai sepenuhnya sampai indikator berwarna merah tidak terlihat. Jika tidak, bisa terlepas dari mesin secara tidak sengaja, menyebabkan luka pada Anda atau orang di sekitar Anda.

⚠PERHATIAN: Jangan memasang kartrid baterai secara paksa. Jika kartrid tidak bergeser dengan mudah, berarti tidak dimasukkan dengan benar.

Mengindikasikan kapasitas baterai yang tersisa

Hanya untuk kartrid baterai dengan indikator

- **Gbr.2:** 1. Lampu indikator 2. Tombol pemeriksaan

Tekan tombol pemeriksaan pada kartrid baterai untuk melihat kapasitas baterai yang tersisa. Lampu indikator menyala selama beberapa detik.

| Lampu indikator | | | Kapasitas yang tersisa |
|-----------------|------|----------|------------------------------|
| Menyala | Mati | Berkedip | |
| ■ ■ ■ ■ | | | 75% hingga 100% |
| ■ ■ ■ □ | | | 50% hingga 75% |
| ■ ■ □ □ | | | 25% hingga 50% |
| ■ □ □ □ | | | 0% hingga 25% |
| ▣ □ □ □ | | | Isi ulang baterai. |
| ■ ■ □ □ | | | Baterai mungkin sudah rusak. |
| □ □ ■ ■ | | | |

CATATAN: Tergantung kondisi penggunaan dan suhu lingkungannya, penunjukkan mungkin saja sedikit berbeda dari kapasitas sebenarnya.

Sistem perlindungan mesin / baterai

Mesin ini dilengkapi dengan sistem perlindungan mesin/ baterai. Sistem ini memutus daya ke motor secara otomatis untuk memperpanjang umur pakai mesin dan baterai. Mesin akan berhenti secara otomatis saat dioperasikan jika mesin atau baterai mengalami salah satu dari kondisi-kondisi berikut ini:

Perlindungan kelebihan beban

Jika baterai digunakan dengan cara yang membuat baterai menarik arus tinggi berlebihan, mesin akan berhenti secara otomatis tanpa peringatan sebelumnya. Dalam situasi ini, matikan mesin dan hentikan pekerjaan yang menyebabkan mesin mengalami kelebihan beban. Kemudian, nyalakan mesin untuk kembali melanjutkan pekerjaan.

Perlindungan panas berlebih

Saat mesin atau baterai terlalu panas, mesin akan berhenti secara otomatis. Pada keadaan ini, tunggu hingga mesin dan baterai mendingin sebelum dinyalakan kembali.

CATATAN: Saat mesin mengalami kelebihan panas, lampu akan berkedip.

Perlindungan pengisian daya berlebih

Ketika kapasitas baterai tidak cukup, mesin akan berhenti secara otomatis. Dalam kondisi ini, lepaskan baterai dari mesin dan isi ulang baterai.

Kerja sakelar

⚠️ PERINGATAN: Sebelum memasukkan kartrid baterai pada mesin, pastikan picu saklar berfungsi dengan baik dan kembali ke posisi "OFF" saat dilepas.

► **Gbr.3:** 1. Pelatuk sakelar

Untuk menjalankan mesin, cukup tarik picu saklarnya. Kecepatan mesin akan meningkat dengan menambah tekanan pada picu saklar. Lepaskan pelatuk sakelar untuk berhenti.

Perubahan kecepatan

Putaran dan hantaman per menit bisa disetel dengan memutar sakelar penyetel. Sakelar diberi tanda 1 (kecepatan terendah) sampai 5 (kecepatan penuh).

► **Gbr.4:** 1. Sakelar penyetel

Silakan mengacu pada tabel di bawah ini untuk hubungan antara angka pada sakelar penyetel dan putaran dan hantaman per menit.

| Angka | Putaran per menit | Hantaman per menit |
|-------|-------------------|--------------------|
| 5 | 980 | 5.000 |
| 4 | 810 | 4.130 |
| 3 | 640 | 3.260 |
| 2 | 470 | 2.400 |
| 1 | 300 | 1.550 |

⚠️ PERHATIAN: Jangan memutar sakelar penyetel ketika mesin sedang bekerja. Kelalaian dalam melakukannya dapat menyebabkan kehilangan kendali pada mesin dan mengakibatkan cedera.

PEMBERITAHUAN: Jika mesin dijalankan secara terus-menerus dengan kecepatan rendah dalam waktu yang lama, motor akan mengalami kelebihan beban dan mengakibatkan kerusakan mesin.

PEMBERITAHUAN: Sakelar penyetel kecepatan dapat diputar sampai maksimum angka 5 dan kembali ke 1. Jangan dipaksa melewati angka 5 atau 1, karena fungsi penyetelan kecepatan bisa tidak berfungsi lagi.

CATATAN: Fungsi putaran lembut tanpa beban (Untuk DHR282/DHR283)

Ketika sakelar penyetel kecepatan diatur ke "3" atau lebih, mesin secara otomatis mengurangi kecepatan saat tidak ada beban untuk mengurangi getaran ketika tidak ada beban. Ketika pengoperasian dimulai dengan pengerjaan pada beton, hantaman per menit meningkat dan mencapai angka yang ditunjukkan dalam tabel. Ketika suhu rendah dan gemuknya kurang cair, mesin mungkin tidak berfungsi dengan baik walaupun motornya berputar.

Fungsi ini tidak tersedia saat sistem pengumpul debu terpasang.

Menyalakan lampu depan

► **Gbr.5:** 1. Lampu

⚠️ PERHATIAN: Jangan melihat lampu atau sumber cahaya secara langsung.

Tarik picu saklar untuk menyalakan lampu. Lampu tetap menyala selama picu saklar ditarik. Lampu akan padam kira-kira 10 detik setelah melepas picu saklar.

⚠️ PERHATIAN: Untuk DHR282/DHR283

Jika lampu mati setelah berkedip selama beberapa detik, teknologi penginderaan umpan balik aktif atau fungsi putaran lembut tanpa beban tidak akan bekerja dengan baik. Mintalah kepada Pusat Layanan Makita terdekat untuk memperbaikinya.

CATATAN: Gunakan kain kering untuk mengelap kotoran dari lensa lampu. Hati-hati jangan sampai menggores lensa lampu, atau hal tersebut dapat menurunkan tingkat penerangannya.

CATATAN: Jika sistem pengumpul debu terpasang pada mesin, lampu yang menyala adalah lampu sistem pengumpul debu, bukan lampu mesin.

Kerja saklar pembalik arah

► **Gbr.6:** 1. Tuas saklar pembalik arah

⚠️ PERHATIAN: Selalu periksa arah putaran sebelum penggunaan.

⚠️ PERHATIAN: Gunakan saklar pembalik arah hanya setelah mesin benar-benar berhenti. Mengubah arah putaran sebelum mesin berhenti dapat merusak mesin.

⚠️ PERHATIAN: Saat mesin tidak digunakan, selalu posisikan tuas saklar pembalik arah pada posisi netral.

Mesin ini memiliki saklar pembalik arah untuk mengubah arah putaran. Tekan tuas saklar pembalik arah dari sisi A untuk putaran searah jarum jam atau dari sisi B untuk putaran berlawanan arah jarum jam. Ketika tuas saklar pembalik arah pada posisi netral, picu saklar tidak bisa ditarik.



Mengganti cuk ganti cepat untuk SDS-plus

Untuk DHR281/DHR283

Cuk ganti cepat untuk SDS-plus dengan mudah bisa ditukar dengan cuk bor ganti cepat.


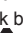

Melepas cuk ganti cepat untuk SDS-plus

⚠️ PERHATIAN: Sebelum melepas cuk ganti cepat untuk SDS-plus, pastikan untuk melepas mata mesin.

Genggam tutup ganti pada cuk ganti cepat untuk SDS-plus dan putar sesuai arah panah sampai garis tutup ganti bergerak dari simbol  ke simbol . Tarik dengan kuat sesuai arah panah.

► **Gbr.7:** 1. Cuk ganti cepat untuk SDS-plus 2. Tutup ganti 3. Garis tutup ganti

Memasang cuk bor ganti cepat

Periksa apakah garis cuk bor ganti cepat menunjukkan simbol . Genggam tutup ganti pada cuk bor ganti cepat dan posisikan garisnya ke simbol . Pasang cuk bor ganti cepat pada spindel mesin. Genggam tutup ganti pada cuk bor ganti cepat dan putar garis tutup ganti ke simbol  sampai bisa terdengar bunyi klik dengan jelas.


► **Gbr.8:** 1. Cuk bor ganti cepat 2. Spindel 3. Garis tutup ganti 4. Tutup ganti

Memilih mode kerja

PEMBERITAHUAN: Jangan memutar tombol pengubah mode kerja ketika mesin sedang bekerja. Mesin bisa rusak.


PEMBERITAHUAN: Untuk menghindari keausan yang cepat pada mekanisme pengubah mode, pastikan bahwa tombol pengubah mode kerja diposisikan dengan tepat pada salah satu dari tiga posisi mode kerja.

Putaran dengan getar

Untuk mengebor beton, tembok, dsb., putar tombol pengubah mode kerja ke simbol . Gunakan mata bor berujung tungsten-carbide (pilihan aksesoris).


► **Gbr.9:** 1. Putaran dengan getar 2. Tombol pengubah mode kerja

Putaran saja

Untuk mengebor bahan kayu, logam atau plastik, putar tombol pengubah mode kerja ke simbol . Gunakan mata bor putar atau mata bor kayu.

► **Gbr.10:** 1. Putaran saja

Getar saja

Untuk pekerjaan menyerpah, menumbuk atau membobok, putar tombol pengubah mode kerja ke simbol . Gunakan pahat beton, pahat besi, pahat tumbuk, dsb.

► **Gbr.11:** 1. Getar saja

Kait

PERHATIAN: Jangan sekali-kali mengaitkan mesin di lokasi yang tinggi atau di permukaan yang berpotensi tidak stabil.

► **Gbr.12:** 1. Kait

Kait dapat digunakan untuk menggantung mesin untuk sementara waktu.

Untuk menggunakan kait, cukup angkat kait sampai terkunci ke posisi terbuka. Bila tidak digunakan, selalu turunkan kait sampai terkunci ke posisi tertutup.

Menyetel posisi nosel sistem pengumpul debu

Pilihan aksesoris

Dorong pemandu sembari mendorong tombol penyetel pemandu ke atas, lalu lepas tombol pada posisi yang diinginkan.

► **Gbr.13:** 1. Pemandu 2. Tombol penyetel pemandu

CATATAN: Sebelum menyetel posisi nosel, lepas nosel ke depan sepenuhnya dengan mendorong tombol penyetel pemandu ke atas.

Jika mata bor panjang terpasang, rentangkan pemandu dengan mendorong tombol ekstensi ke atas.

► **Gbr.14:** 1. Tombol ekstensi

Menyetel kedalaman pengeboran sistem pengumpul debu

Pilihan aksesoris

Geser tombol penyetelan kedalaman ke posisi yang diinginkan sembari mendorongnya ke atas. Jarak (A) merupakan kedalaman pengeboran.

► **Gbr.15:** 1. Tombol penyetelan kedalaman

Pembatas torsi

PEMBERITAHUAN: Segera setelah pembatas torsi berfungsi, matikan mesin dengan segera. Hal ini akan membantu mencegah keausan dini pada mesin.

PEMBERITAHUAN: Mata bor seperti gergaji lubang, yang cenderung terjepit atau terperangkap dalam lubang dengan mudah, tidak sesuai untuk mesin ini. Karena hal ini akan menyebabkan pembatas torsi terlalu sering berfungsi.

Pembatas torsi akan berfungsi ketika mencapai tingkat torsi tertentu. Motor akan terlepas dari poros keluaran. Ketika hal ini terjadi, mata bor akan berhenti berputar.

Fungsi elektronik

Mesin ini dilengkapi dengan fungsi elektronik untuk pengoperasian yang mudah.

- Kontrol kecepatan konstan
Fungsi kontrol kecepatan memberikan kecepatan rotasi yang konstan terlepas dari kondisi muatan.
- Teknologi penginderaan Umpan Balik Aktif (Untuk DHR282/DHR283)
Jika mesin diputar dengan akselerasi yang telah ditentukan sebelumnya selama pengoperasian, motor akan berhenti dengan paksa untuk mengurangi beban pada pergelangan tangan.

CATATAN: Fungsi ini tidak bekerja jika akselerasi tidak mencapai kecepatan yang telah ditentukan sebelumnya saat mesin diputar.

CATATAN: Jika mata bor diputar dengan akselerasi yang telah ditentukan sebelumnya selama penyerpihan, penumbukan, atau pembobokan, motor akan berhenti dengan paksa. Apabila ini terjadi, lepaskan pelatuk sakelar, lalu tarik pelatuk sakelar untuk menyalakan ulang mesin.

PERAKITAN

⚠️PERHATIAN: Selalu pastikan bahwa mesin dimatikan dan kartrid baterai dilepas sebelum melakukan pekerjaan apa pun pada mesin.

Gagang sisi (pegangan tambahan)

⚠️PERHATIAN: Gunakan selalu gagang sisi untuk menjamin keselamatan penggunaan.

⚠️PERHATIAN: Setelah memasang atau menyatel gagang sisi, pastikan bahwa gagang sisi benar-benar terpasang dengan kencang.

Untuk memasang gagang sisi, ikuti langkah berikut.

1. Kendurkan sekrup putar pada gagang sisi.
▶ **Gbr.16:** 1. Sekrup putar
2. Pasang gagang sisi sembari menekan sekrup putar sedemikian rupa hingga alur-alur pada gagang terpasang tepat pada tonjolan pada silinder mesin.
▶ **Gbr.17:** 1. Sekrup putar
3. Kencangkan sekrup putar untuk mengencangkan grip. Gagang dapat dipasang pada posisi yang diinginkan.

Gemuk

Sebelumnya, lapisi ujung batang mata bor dengan sedikit gemuk (sekitar 0.5 - 1 g). Pelumasan cekam ini menjamin kelancaran kerja dan memperpanjang umur pemakaian mesin.

Memasang atau melepas mata bor

Bersihkan ujung batang mata bor dan beri gemuk sebelum memasang mata bor/pemahat.
▶ **Gbr.18:** 1. Ujung batang 2. Gemuk

Masukkan mata bor pada alat. Putar mata bor dan tekan sampai terpasang. Setelah terpasang, selalu pastikan bahwa mata bor benar-benar terpasang pada tempatnya dengan mencoba menariknya keluar.
▶ **Gbr.19:** 1. Mata bor

Untuk melepas mata bor, tarik tutup cekam sepenuhnya dan tarik mata bor keluar.

▶ **Gbr.20:** 1. Mata bor 2. Tutup cekam

Sudut pemahat (ketika menyerpih, menumbuk atau membobok)

Pemahat dapat dipasang pada posisi yang diinginkan. Untuk mengubah sudut pemahat, putar tombol pengubah mode kerja ke simbol O. Putar pemahat ke sudut yang diinginkan.

▶ **Gbr.21:** 1. Tombol pengubah mode kerja

Putar tombol pengubah mode kerja ke simbol T. Kemudian pastikan bahwa pemahat benar-benar terpasang pada tempatnya dengan memutarinya sedikit.

Pengukur kedalaman

Pengukur kedalaman sangat tepat digunakan untuk menghasilkan lubang-lubang pengeboran dengan kedalaman yang seragam.

Tekan dan tahan tombol kunci, dan kemudian masukkan pengukur kedalaman ke dalam lubang segi-enam. Pastikan bahwa sisi bergigi pada pengukur kedalaman menghadap tanda.

▶ **Gbr.22:** 1. Pengukur kedalaman 2. Tombol kunci 3. Tanda 4. Sisi bergigi

Sesuaikan pengukur kedalaman dengan menggerakannya maju-mundur sambil menekan tombol kunci. Setelah disesuaikan, lepaskan tombol kunci untuk mengunci pengukur kedalaman.

CATATAN: Pastikan pengukur kedalaman tidak menyentuh badan utama mesin saat memasangnya.

Memasang atau melepas sistem pengumpul debu

Pilihan aksesoris

Untuk memasang sistem pengumpul debu, masukkan mesin ke sistem pengumpul debu hingga terkunci pada tempatnya dan terdengar bunyi klik kecil dua kali.

▶ **Gbr.23**

Untuk melepas sistem pengumpul debu, tarik mesin sembari menekan tombol buka kunci.

▶ **Gbr.24:** 1. Tombol buka kunci

Mangkuk debu

Pilihan aksesoris

Gunakan mangkuk debu untuk mencegah debu berjatuh ke atas mesin dan pada diri Anda sendiri ketika melakukan pekerjaan pengeboran di atas kepala. Pasang mangkuk debu pada mata mesin seperti ditunjukkan pada gambar. Ukuran mata mesin yang bisa dipasangi mangkuk debu adalah sebagai berikut.

| Model | Diameter mata mesin |
|----------------|---------------------|
| Mangkuk debu 5 | 6 mm - 14,5 mm |
| Mangkuk debu 9 | 12 mm - 16 mm |

▶ **Gbr.25:** 1. Mangkuk debu

Set mangkuk debu

Pilihan aksesorii

Sebelum memasang set mangkuk debu, lepas mata mesin dari mesin jika masih terpasang. Pasang set mangkuk debu pada mesin sehingga simbol Δ di mangkuk debu sejajar dengan alur pada mesin.

► **Gbr.26:** 1. Simbol Δ 2. Alur

CATATAN: Jika Anda menyambungkan pengisap debu ke set mangkuk debu, lepaskan tutup debu sebelum menyambungkannya.

► **Gbr.27:** 1. Tutup debu

Untuk melepas set mangkuk debu, lepas mata mesin sembari menarik tutup cuk sesuai arah panah.

► **Gbr.28:** 1. Mata mesin 2. Tutup cekam

Tahan kaki mangkuk debu lalu tarik keluar.

► **Gbr.29**

CATATAN: Jika tutup terlepas dari tutup debu, pasang tutup tersebut dengan sisi yang tercetak menghadap ke atas sehingga alur pada tutup terpasang tepat di dalam periferi perangkat tambahan.

► **Gbr.30**

PENGGUNAAN

⚠PERHATIAN: Selalu gunakan gagang sisi (pegangan tambahan) dan pegang mesin kuat-kuat pada kedua gagang sisi dan pegangan saklar selama penggunaan.

⚠PERHATIAN: Selalu pastikan bidang kerja terpasang dengan aman sebelum penggunaan.

⚠PERHATIAN: Jangan mencabut mesin secara paksa meskipun mata mesin macet. Kehilangan kendali bisa menyebabkan cedera.

⚠PERHATIAN: Sistem pengumpul debu hanya ditujukan untuk pengeboran baja. Jangan gunakan sistem pengumpul debu untuk pengeboran logam atau kayu.

⚠PERHATIAN: Saat menggunakan mesin dengan sistem pengumpul debu, pastikan Anda memasang saringan ke sistem pengumpul debu untuk mencegah debu terhirup.

⚠PERHATIAN: Sebelum menggunakan sistem pengumpul debu, periksa apakah saringan tidak rusak. Kelalaian dalam melakukannya dapat menyebabkan debu terhirup.

⚠PERHATIAN: Sistem pengumpul debu mengumpulkan debu yang dihasilkan pada laju yang mencukupi, namun tidak semua debu dapat dikumpulkan.

PEMBERITAHUAN: Jangan gunakan sistem pengumpul debu untuk pemahatan atau pengeboran berteras.


PEMBERITAHUAN: Jangan gunakan sistem pengumpul debu untuk pengeboran dalam beton basah atau menggunakan sistem dalam lingkungan yang basah. Kelalaian dalam melakukannya dapat menyebabkan kegagalan.

CATATAN: Jika kartrid baterai berada pada suhu rendah, kemampuan mesin mungkin tidak dapat diperoleh secara penuh. Pada kondisi ini, panaskan kartrid baterai dengan menggunakan mesin tanpa beban selama beberapa saat untuk memperoleh kemampuan mesin secara penuh.

► **Gbr.31**

Cara pengoperasian bor getar


⚠PERHATIAN: Akan timbul gaya yang sangat kuat dan tiba-tiba pada mesin/mata mesin saat menembus lubang, bila lubang dipenuhi geram-geram atau partikel, atau bila menabrak besi-besi tulangan yang terpasang di dalam beton. **Selalu gunakan gagang sisi (pegangan tambahan) dan pegang mesin kuat-kuat pada kedua gagang sisi dan pegangan saklar selama penggunaan.** Kelalaian dalam melakukannya dapat menyebabkan kehilangan kendali pada mesin dan berpotensi mengakibatkan cedera berat.

Posisikan tombol pengubah mode kerja ke simbol . Posisikan mata bor pada lokasi yang diinginkan untuk lubang, kemudian tarik picu sakelar. Jangan memaksa mesin listrik. Tekanan yang ringan akan memberi hasil yang terbaik. Jaga posisi mesin dan cegah agar tidak selip dari lubang.

Jangan menambah tekanan bila lubang dipenuhi serpihan atau partikel. Tetapi, nyalakan mesin tanpa putaran, lalu angkat mata bor sedikit dari lubang. Dengan melakukan hal ini beberapa kali, lubang akan bersih dan pengeboran normal bisa dilanjutkan kembali.

CATATAN: Eksentrisitas pada putaran mata bor bisa terjadi ketika menggunakan alat tanpa beban. Mesin akan memusatkan diri secara otomatis selama penggunaan. Hal ini tidak memengaruhi ketepatan pengeboran.

Menyerpih/Menumbuk/Membobok

Posisikan tombol pengubah mode kerja ke simbol . Tahan mesin dengan kuat menggunakan kedua tangan. Nyalakan mesin dan beri sedikit tekanan pada mesin sehingga mesin tidak akan memantul, menjadi tidak terkendali.

Menekan mesin kuat-kuat tidak akan menambah efisiensi.

► **Gbr.32**

Mengebor kayu atau logam

⚠️ PERHATIAN: Pegang mesin dengan kuat dan berhati-hatilah saat mata bor menembus benda kerja. Akan timbul gaya yang sangat kuat pada mesin/mata bor saat menembus lubang.

⚠️ PERHATIAN: Mata bor yang macet dapat dicabut dengan menyetel saklar pembalik arah agar mesin berputar berlawanan arah untuk mundur. Tetapi, mesin bisa saja mundur mendadak jika Anda tidak memegangnya dengan kuat.

⚠️ PERHATIAN: Selalu kencangkan benda kerja menggunakan ragum atau perangkat penahan yang serupa.

PEMBERITAHUAN: Jangan sekali-kali menggunakan “putaran dengan getar” ketika cekam bor terpasang pada mesin. Cekam bor bisa rusak. Cekam bor juga akan terlepas ketika membalik arah mesin.

PEMBERITAHUAN: Menekan mesin secara berlebihan tidak akan mempercepat pengeboran. Bahkan, tekanan yang berlebihan hanya akan merusak mata bor Anda, mengurangi kinerja mesin dan memperpendek usia pakai mesin.

Posisikan tombol pengubah mode kerja ke simbol .

Untuk DHR280/DHR282

Pilihan aksesoris

Pasang adaptor cekam ke cekam bor tanpa kunci yang dapat dipasang sekrup berukuran 1/2"-20, lalu pasang ke mesin. Ketika memasangnya, silakan mengacu pada “Memasang atau melepas mata bor”.

► **Gbr.33:** 1. Cekam bor tanpa kunci 2. Adaptor cekam

Untuk DHR281/DHR283


Gunakan cuk bor ganti cepat sebagai perlengkapan standar. Ketika memasangnya, silakan mengacu pada “mengganti cekam ganti cepat untuk SDS-plus”. Tahan cincin dan putar selongsong berlawanan arah jarum jam untuk membuka rahang cuk. Masukkan mata bor ke dalam cuk sejauh mungkin. Pegang cincin dengan kuat dan putar selongsong searah jarum jam untuk mengencangkan cuk.

► **Gbr.34:** 1. Selongsong 2. Cincin

Untuk melepas mata bor, pegang cincin dan putar selongsong berlawanan arah jarum jam.

Pengeboran dengan mata bor berteras intan

PEMBERITAHUAN: Jika melakukan pekerjaan pengeboran dengan mata bor berteras intan menggunakan kerja “putaran dengan getar”, mata bor berteras intan bisa rusak.

Ketika melakukan pekerjaan pengeboran dengan mata bor berteras intan, selalu posisikan tuas pengubah ke posisi  untuk menggunakan kerja “putaran saja”.

Menyingkirkan debu pada saringan

Pilihan aksesoris

⚠️ PERHATIAN: Jangan menyalakan sakelar pada wadah debu saat dilepaskan dari sistem pengumpul debu. Hal tersebut dapat menyebabkan debu terhirup.

⚠️ PERHATIAN: Selalu matikan mesin saat menyalakan sakelar pada wadah debu. Menyalakan sakelar saat mesin berjalan dapat mengakibatkan hilangnya kendali pada mesin.

Dengan menyingkirkan debu pada saringan dalam wadah debu, Anda dapat menjaga efisiensi pengisap debu serta mengurangi jumlah waktu pembuangan debu.

Putar sakelar pada wadah debu tiga kali setelah mengumpulkan setiap 50.000 mm³ debu atau saat Anda merasa kinerja pengisap debu menurun.

CATATAN: 50.000 mm³ debu setara dengan mengebor 10 lubang \varnothing 10 mm dan kedalaman 65 mm (14 lubang \varnothing 3/8" dan kedalaman 2").

► **Gbr.35:** 1. Wadah debu 2. Sakelar

Membuang debu

Pilihan aksesoris

⚠️ PERHATIAN: Selalu pastikan bahwa mesin dimatikan dan kartrid baterai dilepas sebelum melakukan pekerjaan apa pun pada mesin.

⚠️ PERHATIAN: Pastikan Anda mengenakan masker debu saat membuang debu.

⚠️ PERHATIAN: Kosongkan wadah debu secara rutin sebelum wadah debu penuh. Kelalaian dalam melakukannya dapat menurunkan kinerja pengumpul debu dan menyebabkan debu terhirup.

⚠️ PERHATIAN: Kinerja pengumpul debu menurun jika saringan dalam wadah debu tersumbat. Ganti saringan dengan yang baru setelah sekitar 200 kali pengisian debu sebagai panduan. Kelalaian dalam melakukannya dapat menyebabkan debu terhirup.

1. Lepas wadah debu sembari menekan ke bawah tuas wadah debu.

► **Gbr.36:** 1. Tuas

2. Buka penutup wadah debu.

► **Gbr.37:** 1. Tutup

3. Buang debu, lalu bersihkan saringan.

► **Gbr.38**

PEMBERITAHUAN: Saat membersihkan saringan, jangan menyentuh saringan dengan sikat atau semacamnya, atau meniup udara mampat pada saringan. Hal tersebut bisa merusak saringan.

Penghembus angin

Pilihan aksesoris

Setelah mengebor lubang, gunakan penghembus angin untuk membersihkan lubang dari debu.

► Gbr.39

Menggunakan set mangkuk debu

Pilihan aksesoris

Pasang set mangkuk debu berlawanan dengan langit-langit saat mengoperasikan mesin.

► Gbr.40

PEMBERITAHUAN: Jangan gunakan set mangkuk debu untuk pengeboran logam atau sejenisnya. Hal tersebut dapat merusak set mangkuk debu akibat panas yang dihasilkan oleh debu logam kecil atau sejenisnya.

PEMBERITAHUAN: Jangan memasang atau melepas set mangkuk debu dengan mata bor terpasang pada mesin. Hal tersebut dapat merusak set mangkuk debu dan menyebabkan mangkuk bocor.

FUNGSI PENGAKTIFAN NIRKABEL

Aksesoris pilihan untuk DHR282/DHR283

Kegunaan dari fungsi pengaktifan nirkabel

Fungsi pengaktifan nirkabel memungkinkan pengoperasian yang bersih dan nyaman. Dengan menyambungkan pengisap debu yang didukung ke mesin, Anda dapat menjalankan pengisap debu secara otomatis bersama dengan pengoperasian sakelar mesin.

► Gbr.41

Untuk menggunakan fungsi pengaktifan nirkabel, siapkan item-item berikut:

- Unit nirkabel (pilihan aksesoris)
- Pengisap debu yang mendukung fungsi pengaktifan nirkabel

Berikut ialah gambaran umum mengenai pengaturan fungsi pengaktifan nirkabel. Lihat pada masing-masing bagian untuk prosedur terperinci.

1. Memasang unit nirkabel
2. Registrasi mesin untuk pengisap debu
3. Memulai fungsi pengaktifan nirkabel

Memasang unit nirkabel

Pilihan Aksesoris

PERHATIAN: Letakkan mesin pada permukaan yang datar dan stabil pada saat memasang unit nirkabel.

PEMBERITAHUAN: Bersihkan debu dan kotoran yang menempel pada mesin sebelum memasang unit nirkabel. Debu atau kotoran dapat mengakibatkan malafungsi jika masuk ke dalam celah unit nirkabel.

PEMBERITAHUAN: Untuk mencegah terjadinya malafungsi yang disebabkan oleh listrik statis, sentuh bahan yang melepaskan muatan listrik statis, seperti bagian logam pada mesin, sebelum mengambil unit nirkabel.

PEMBERITAHUAN: Ketika memasang unit nirkabel, selalu pastikan bahwa unit nirkabel dimasukkan dengan arah yang benar dan penutup telah benar-benar ditutup.

1. Buka penutup pada mesin sebagaimana yang ditunjukkan dalam gambar.

► Gbr.42: 1. Penutup

2. Masukkan unit nirkabel ke celah dan kemudian tutup penutup.

Ketika memasang unit nirkabel, sejajarkan proyeksi dengan bagian-bagian ceruk pada celah.

► Gbr.43: 1. Unit nirkabel 2. Proyeksi 3. Penutup 4. Bagian-bagian ceruk

Ketika melepaskan unit nirkabel, buka penutup secara perlahan. Kait pada bagian belakang penutup akan mengangkat unit nirkabel ketika Anda menarik penutup.

► Gbr.44: 1. Unit nirkabel 2. Kait 3. Penutup

Setelah melepaskan unit nirkabel, simpan unit dalam kotak yang disediakan atau wadah bebas listrik statis.

PEMBERITAHUAN: Selalu gunakan kait pada bagian belakang penutup pada saat melepaskan unit nirkabel. Jika kait tidak mengenai unit nirkabel, tutup penutup sepenuhnya dan buka kembali secara perlahan.

Registrasi mesin untuk pengisap debu

CATATAN: Pengisap debu Makita yang mendukung fungsi pengaktifan nirkabel diperlukan untuk registrasi mesin.

CATATAN: Selesaikan pemasangan unit nirkabel ke mesin sebelum memulai registrasi mesin.

CATATAN: Selama registrasi mesin, jangan menarik pelatuk sakelar atau menghidupkan sakelar daya pada pengisap debu.

CATATAN: Lihat juga petunjuk penggunaan pengisap debu.

Jika Anda ingin mengaktifkan pengisap debu bersama dengan pengoperasian sakelar mesin, selesaikan registrasi mesin terlebih dahulu.

1. Pasang baterai ke pengisap debu dan mesin.
2. Setel sakelar siaga pada pengisap debu ke "AUTO".
► **Gbr.45:** 1. Sakelar siaga
3. Tekan tombol pengaktifan nirkabel pada pengisap debu selama 3 detik hingga lampu pengaktifan nirkabel berkedip menjadi warna hijau. Kemudian tekan tombol pengaktifan nirkabel pada mesin dengan cara yang sama.
► **Gbr.46:** 1. Tombol pengaktifan nirkabel 2. Lampu pengaktifan nirkabel

Jika pengisap debu dan mesin berhasil tersambung, lampu pengaktifan nirkabel akan menyala hijau selama 2 detik dan mulai berkedip dalam warna biru.

CATATAN: Lampu pengaktifan nirkabel akan berhenti berkedip dalam warna hijau setelah 20 detik. Tekan tombol pengaktifan nirkabel pada mesin ketika lampu pengaktifan nirkabel pada pembersih berkedip. Jika lampu pengaktifan nirkabel tidak berkedip dalam warna hijau, tekan tombol pengaktifan nirkabel sebentar dan tahan kembali.

CATATAN: Ketika melakukan registrasi beberapa mesin untuk satu pengisap debu, selesaikan registrasi mesin satu demi satu.

Memulai fungsi pengaktifan nirkabel

CATATAN: Selesaikan registrasi mesin untuk pengisap debu sebelum pengaktifan nirkabel.

CATATAN: Lihat juga petunjuk penggunaan pengisap debu.

Setelah registrasi mesin ke pengisap debu, pengisap debu akan secara otomatis bekerja bersama dengan pengoperasian sakelar mesin.

1. Pasang unit nirkabel ke mesin.
2. Sambungkan selang pengisap debu dengan mesin.
► **Gbr.47**
3. Setel sakelar siaga pada pengisap debu ke "AUTO".
► **Gbr.48:** 1. Sakelar siaga
4. Tekan sebentar tombol pengaktifan nirkabel pada mesin. Lampu pengaktifan nirkabel akan berkedip dalam warna biru.
► **Gbr.49:** 1. Tombol pengaktifan nirkabel 2. Lampu pengaktifan nirkabel
5. Tarik pelatuk sakelar pada mesin. Periksa apakah pengisap debu bekerja ketika pelatuk sakelar ditarik. Untuk menghentikan pengaktifan nirkabel pada pengisap debu, tekan tombol pengaktifan nirkabel pada mesin.

CATATAN: Lampu pengaktifan nirkabel pada mesin akan berhenti berkedip dalam warna biru jika tidak ada pengoperasian selama 2 jam. Dalam kasus ini, setel sakelar siaga pada pengisap debu ke "AUTO" dan tekan kembali tombol pengaktifan nirkabel pada mesin.

CATATAN: Pengisap debu akan mulai/berhenti dengan jeda. Ada jeda waktu ketika pengisap debu mendeteksi adanya pengoperasian sakelar mesin.









CATATAN: Jarak transmisi unit nirkabel dapat berbeda, tergantung lokasi dan keadaan sekitar.

CATATAN: Ketika beberapa mesin teregistrasi ke satu pengisap debu, pengisap debu dapat mulai bekerja walaupun Anda tidak menarik pelatuk sakelar karena pengguna lain sedang menggunakan fungsi pengaktifan nirkabel.

Deskripsi mengenai status lampu pengaktifan nirkabel

► Gbr.50: 1. Lampu pengaktifan nirkabel

Lampu pengaktifan nirkabel menunjukkan status dari fungsi pengaktifan nirkabel. Lihat pada tabel di bawah untuk mengetahui arti dari status lampu.

| Status | Lampu pengaktifan nirkabel | | | Durasi | Deskripsi |
|------------------------------|----------------------------|---|--|-----------------------|---|
| | Warna |  Menyala |  Berkedip | | |
| Siaga | Biru |  | | 2 jam | Tersedia pengaktifan nirkabel pada pengisap debu. Lampu akan mati secara otomatis ketika tidak ada pengoperasian yang dilakukan selama 2 jam. |
| | |  | | Ketika mesin bekerja. | Tersedia pengaktifan nirkabel pada pengisap debu dan mesin bekerja. |
| Registrasi mesin | Hijau |  | | 20 detik | Siap untuk registrasi mesin. Menunggu registrasi oleh pengisap debu. |
| | |  | | 2 detik | Registrasi mesin telah selesai. Lampu pengaktifan nirkabel akan mulai berkedip dalam warna biru. |
| Membatalkan registrasi mesin | Merah |  | | 20 detik | Siap untuk membatalkan registrasi mesin. Menunggu untuk dibatalkan oleh pengisap debu. |
| | |  | | 2 detik | Pembatalan registrasi mesin telah selesai. Lampu pengaktifan nirkabel akan mulai berkedip dalam warna biru. |
| Lainnya | Merah |  | | 3 detik | Daya dialirkan ke unit nirkabel dan fungsi pengaktifan nirkabel dimulai. |
| | Mati | - | | - | Pengaktifan nirkabel pada pengisap debu dihentikan. |

Membatalkan registrasi mesin untuk pengisap debu

Lakukan prosedur berikut ketika membatalkan registrasi mesin untuk pengisap debu.

1. Pasang baterai ke pengisap debu dan mesin.
2. Setel sakelar siaga pada pengisap debu ke "AUTO".

► Gbr.51: 1. Sakelar siaga

3. Tekan tombol pengaktifan nirkabel pada pengisap debu selama 6 detik. Lampu pengaktifan nirkabel berkedip dalam warna hijau dan kemudian akan menjadi merah. Setelah itu, tekan tombol pengaktifan nirkabel pada mesin dengan cara yang sama.

► Gbr.52: 1. Tombol pengaktifan nirkabel 2. Lampu pengaktifan nirkabel

Jika pembatalan berhasil dilakukan, lampu pengaktifan nirkabel akan menyala dalam warna merah selama 2 detik dan mulai berkedip dalam warna biru.

CATATAN: Lampu pengaktifan nirkabel berhenti berkedip dalam warna merah setelah 20 detik. Tekan tombol pengaktifan nirkabel pada mesin ketika lampu pengaktifan nirkabel pada pembersih berkedip. Jika lampu pengaktifan nirkabel tidak berkedip dalam warna merah, tekan tombol pengaktifan nirkabel sebentar dan tahan kembali.

Pemecahan masalah fungsi pengaktifan nirkabel

Sebelum meminta perbaikan, lakukan pemeriksaan mandiri terlebih dahulu. Jika Anda menemukan masalah yang tidak dijelaskan dalam buku petunjuk ini, jangan coba membongkar mesin. Sebaliknya, hubungi Pusat Servis Resmi Makita, dan selalu gunakan suku cadang pengganti Makita untuk perbaikan.

| Keadaan Tidak Normal | Kemungkinan penyebab (kerusakan fungsi) | Perbaikan |
|---|---|--|
| Lampu pengaktifan nirkabel tidak menyala/berkedip. | Unit nirkabel tidak dipasang ke dalam mesin. Unit nirkabel tidak dipasang dengan benar ke dalam mesin. | Pasang unit nirkabel dengan benar. |
| | Terminal unit nirkabel dan/atau celah kotor. | Bersihkan dengan lembut debu dan kotoran yang terdapat pada terminal unit nirkabel dan bersihkan celah. |
| | Tombol pengaktifan nirkabel pada mesin belum ditekan. | Tekan sebentar tombol pengaktifan nirkabel pada mesin. |
| | Sakelar siaga pada pengisap debu tidak disetel ke "AUTO". | Setel sakelar siaga pada pengisap debu ke "AUTO". |
| | Tidak ada pasokan daya | Alirkan daya ke mesin dan pengisap debu. |
| Tidak dapat menyelesaikan registrasi mesin/pembatalan registrasi mesin. | Unit nirkabel tidak dipasang ke dalam mesin. Unit nirkabel tidak dipasang dengan benar ke dalam mesin. | Pasang unit nirkabel dengan benar. |
| | Terminal unit nirkabel dan/atau celah kotor. | Bersihkan dengan lembut debu dan kotoran yang terdapat pada terminal unit nirkabel dan bersihkan celah. |
| | Sakelar siaga pada pengisap debu tidak disetel ke "AUTO". | Setel sakelar siaga pada pengisap debu ke "AUTO". |
| | Tidak ada pasokan daya | Alirkan daya ke mesin dan pengisap debu. |
| | Pengoperasian salah | Tekan sejenak tombol pengaktifan nirkabel dan lakukan kembali prosedur registrasi mesin/pembatalan. |
| | Mesin dan pengisap debu saling berjauhan satu sama lain (di luar jangkauan transmisi). | Dekatkan mesin dan pengisap debu satu sama lain. Jarak transmisi maksimum adalah sekitar 10 m, tetapi jarak dapat berbeda sesuai dengan keadaan. |
| | Sebelum menyelesaikan registrasi mesin/pembatalan; - pelatuk sakelar pada mesin ditarik, atau; - tombol daya pada pengisap debu dinyalakan. | Tekan sejenak tombol pengaktifan nirkabel dan lakukan kembali prosedur registrasi mesin/pembatalan. |
| | Prosedur registrasi mesin untuk mesin atau pengisap debu belum selesai. | Lakukan prosedur registrasi mesin untuk mesin dan pengisap debu di waktu yang sama. |
| Gangguan radio oleh perangkat lain yang menghasilkan gelombang radio intensitas tinggi. | Jauhkan mesin dan pengisap debu dari perangkat seperti perangkat Wi-Fi dan oven microwave. | |

| Kedadaan Tidak Normal | Kemungkinan penyebab (kerusakan fungsi) | Perbaikan |
|---|---|--|
| Pemisap debu tidak bekerja bersama dengan pengoperasian sakelar mesin. | Unit nirkabel tidak dipasang ke dalam mesin. Unit nirkabel tidak dipasang dengan benar ke dalam mesin. | Pasang unit nirkabel dengan benar. |
| | Terminal unit nirkabel dan/atau celah kotor. | Bersihkan dengan lembut debu dan kotoran yang terdapat pada terminal unit nirkabel dan bersihkan celah. |
| | Tombol pengaktifan nirkabel pada mesin belum ditekan. | Tekan sejenak tombol pengaktifan nirkabel dan pastikan lampu pengaktifan nirkabel berkedip dalam warna biru. |
| | Sakelar siaga pada pemisap debu tidak disetel ke "AUTO". | Setel sakelar siaga pada pemisap debu ke "AUTO". |
| | Lebih dari 10 mesin teregistrasi ke pemisap debu. | Lakukan kembali registrasi mesin. Jika lebih dari 10 mesin teregistrasi ke pemisap debu, mesin yang teregistrasi paling awal akan dibatalkan secara otomatis. |
| | Pemisap debu menghapus semua registrasi mesin. | Lakukan kembali registrasi mesin. |
| | Tidak ada pasokan daya | Alirkan daya ke mesin dan pemisap debu. |
| | Mesin dan pemisap debu saling berjauhan satu sama lain (di luar jangkauan transmisi). | Dekatkan mesin dan pemisap debu satu sama lain. Jarak transmisi maksimum adalah sekitar 10 m, tetapi jarak dapat berbeda sesuai dengan keadaan. |
| Gangguan radio oleh perangkat lain yang menghasilkan gelombang radio intensitas tinggi. | Jauhkan mesin dan pemisap debu dari perangkat seperti perangkat Wi-Fi dan oven microwave. | |
| Pemisap debu bekerja ketika pelatuk sakelar mesin tidak ditarik. | Pengguna lain sedang menggunakan pengaktifan nirkabel pemisap debu dengan mesin mereka. | Matikan tombol pengaktifan nirkabel dari mesin lain atau batalkan registrasi mesin dari mesin lain. |

PERAWATAN

⚠️ PERHATIAN: Selalu pastikan bahwa mesin dimatikan dan kartrid baterai dilepas sebelum melakukan pemeriksaan atau perawatan.

PEMBERITAHUAN: Jangan sekali-kali menggunakan bensin, tiner, alkohol, atau bahan sejenisnya. Penggunaan bahan demikian dapat menyebabkan perubahan warna, perubahan bentuk atau timbulnya retakan.

Untuk menjaga KEAMANAN dan KEANDALAN mesin, perbaikan, perawatan atau penyetulan lainnya harus dilakukan oleh Pusat Layanan Resmi atau Pabrik Makita; selalu gunakan suku cadang pengganti buatan Makita.

Mengganti saringan wadah debu

Pilihan aksesoris

- Lepas wadah debu sembari menekan ke bawah tuas wadah debu.
► **Gbr.53:** 1. Tuas
- Masukkan obeng minus ke selot tutup saringan untuk melepas tutup saringan.
► **Gbr.54:** 1. Obeng bilah rata 2. Tutup saringan
- Lepas saringan dari wadah saringan.
► **Gbr.55:** 1. Saringan 2. Wadah saringan
- Pasang saringan baru ke wadah saringan, lalu pasang tutup saringan.
- Tutup penutup wadah debu, lalu pasang wadah debu ke sistem pengumpul debu.

Mengganti tutup penyegel

Pilihan aksesoris

- Jika tutup penyegel aus, kinerja pengumpul debu menurun. Ganti jika aus.
Lepas tutup penyegel, lalu pasang yang baru dengan tonjolan menghadap ke atas.
► **Gbr.56:** 1. Tonjolan 2. Tutup penyegel

AKSESORI PILIHAN

⚠️ PERHATIAN: Dianjurkan untuk menggunakan aksesori atau perangkat tambahan ini dengan mesin Makita Anda yang ditentukan dalam petunjuk ini. Penggunaan aksesori atau perangkat tambahan lain bisa menyebabkan risiko cedera pada manusia. Hanya gunakan aksesori atau perangkat tambahan sesuai dengan peruntukannya.

Jika Anda memerlukan bantuan lebih rinci berkenaan dengan aksesori ini, tanyakan pada Pusat Layanan Makita terdekat.

- Mata bor berujung carbide (Mata bor berujung carbide SDS-Plus)
- Mata bor berteras
- Pahat beton
- Mata bor berteras intan
- Pahat besi
- Pahat tumbuk
- Pahat alur
- Adaptor cekam
- Cekam bor tanpa kunci
- Gemuk mata mesin
- Pengukur kedalaman
- Penghembus angin
- Mangkuk debu
- Set mangkuk debu
- Sistem pengumpul debu
- Unit nirkabel
- Baterai dan pengisi daya asli buatan Makita
- Kaca mata pelindung
- Tas jinjing plastik

CATATAN: Beberapa item dalam daftar tersebut mungkin sudah termasuk dalam paket mesin sebagai aksesori standar. Hal tersebut dapat berbeda dari satu negara ke negara lainnya.

THÔNG SỐ KỸ THUẬT

| Kiểu máy: | DHR280 | DHR281 | DHR282 | DHR283 |
|------------------|----------------------------------|--------|--------|--------|
| Công suất | Bê-tông | 28 mm | | |
| | Đầu mũi lõi | 54 mm | | |
| | Đầu mũi lõi kim cương (kiểu khô) | 65 mm | | |
| | Thép | 13 mm | | |
| | Gỗ | 32 mm | | |
| Tốc độ không tải | 0 - 980 min ⁻¹ | | | |
| Số nhát mỗi phút | 0 - 5.000 min ⁻¹ | | | |
| Tổng chiều dài | 373 mm | 404 mm | 373 mm | 404 mm |
| Điện áp định mức | 36 V một chiều | | | |
| Khối lượng tịnh | 3,9 - 5,1 kg | | | |

Phụ kiện tùy chọn

| Kiểu máy: | DX08 (ĐỐI VỚI DHR280/DHR282) | DX09 (ĐỐI VỚI DHR281/DHR283) |
|---------------------|------------------------------|------------------------------|
| Hiệu suất hút | 350 l/min | |
| Hành trình vận hành | Tối đa 190 mm | |
| Mũi khoan thích hợp | Tối đa 260 mm | |
| Điện áp định mức | D.C. 18 V | |
| Khối lượng tịnh | 1,6 kg | |

- Do chương trình nghiên cứu và phát triển liên tục của chúng tôi nên các thông số kỹ thuật trong đây có thể thay đổi mà không cần thông báo trước.
- Các thông số kỹ thuật và hộp pin có thể thay đổi tùy theo từng quốc gia.
- Khối lượng có thể khác nhau tùy thuộc vào (các) phụ kiện, bao gồm cả hộp pin. Tổ hợp nhẹ nhất và nặng nhất, theo Quy trình EPTA 01/2014, được trình bày trong bảng.

Hộp pin có thể áp dụng

BL1815N / BL1820 / BL1820B / BL1830 / BL1830B / BL1840 / BL1840B / BL1850 / BL1850B / BL1860B

- Một số hộp pin được nêu trong danh sách ở trên có thể không khả dụng tùy thuộc vào khu vực cư trú của bạn.

⚠ CẢNH BÁO: Chỉ sử dụng hộp pin được nêu trong danh sách ở trên. Việc sử dụng bất cứ hộp pin nào khác có thể gây ra thương tích và/hoặc hỏa hoạn.

Ký hiệu

Phần dưới đây cho biết các ký hiệu được dùng cho thiết bị. Đảm bảo rằng bạn hiểu rõ ý nghĩa của các ký hiệu này trước khi sử dụng.



Đọc tài liệu hướng dẫn.



Ni-MH
Li-ion

Chỉ dành cho các quốc gia EU
Không thải bỏ thiết bị điện hoặc bộ pin cùng với các chất thải sinh hoạt!
Để tuân thủ các Chỉ thị của Châu Âu về thiết bị điện và điện tử thải bỏ, và về pin và ắc quy và pin và ắc quy thải bỏ, và thi hành những chỉ thị này phù hợp với luật lệ quốc gia, các thiết bị điện tử và pin và (các) bộ pin không còn sử dụng được nữa phải được thu nhặt riêng và đưa trở lại một cơ sở tái chế tương thích với môi trường.

Mục đích sử dụng

Dụng cụ này được thiết kế để khoan đóng búa và khoan vào gạch, bê-tông và đá cứng như dùng cho công tác khoan đục.

Nó cũng có thể phù hợp cho việc khoan không va đập vào gỗ, kim loại, gốm và nhựa.

CẢNH BÁO AN TOÀN

Cảnh báo an toàn chung dành cho dụng cụ máy

⚠CẢNH BÁO: Xin đọc tất cả các cảnh báo an toàn, hướng dẫn, minh họa và thông số kỹ thuật đi kèm với dụng cụ máy này. Việc không tuân theo các hướng dẫn được liệt kê dưới đây có thể dẫn đến điện giật, hỏa hoạn và/hoặc thương tích nghiêm trọng.

Lưu giữ tất cả cảnh báo và hướng dẫn để tham khảo sau này.

Thuật ngữ “dụng cụ máy” trong các cảnh báo đề cập đến dụng cụ máy (có dây) được vận hành bằng nguồn điện chính hoặc dụng cụ máy (không dây) được vận hành bằng pin của bạn.

An toàn tại nơi làm việc

- Giữ nơi làm việc sạch sẽ và có đủ ánh sáng.**
Nơi làm việc bừa bộn hoặc tối thường dễ gây ra tai nạn.
- Không vận hành dụng cụ máy trong môi trường cháy nổ, ví dụ như môi trường có sự hiện diện của các chất lỏng, khí hoặc bụi dễ cháy.** Các dụng cụ máy tạo tia lửa điện có thể làm bụi hoặc khí bốc cháy.
- Giữ trẻ em và người ngoài tránh xa nơi làm việc khi đang vận hành dụng cụ máy.** Sự xao lãng có thể khiến bạn mất khả năng kiểm soát.

An toàn về Điện

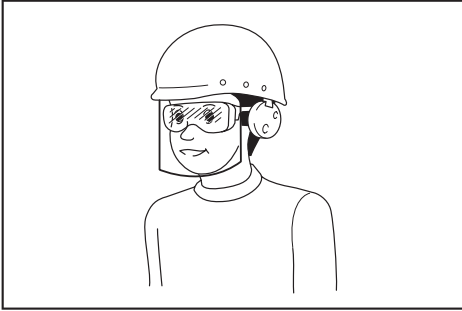
- Phích cắm của dụng cụ máy phải khớp với ổ cắm. Không được sửa đổi phích cắm theo bất kỳ cách nào. Không sử dụng bất kỳ phích chuyển đổi nào với các dụng cụ máy được nối đất (tiếp đất).** Các phích cắm còn nguyên vẹn và ổ cắm phù hợp sẽ giảm nguy cơ điện giật.
- Tránh để cơ thể tiếp xúc với các bề mặt nóng đất hoặc tiếp đất như đường ống, bộ tản nhiệt, bếp ga và tủ lạnh.** Nguy cơ bị điện giật sẽ tăng lên nếu cơ thể bạn được nối đất hoặc tiếp đất.
- Không để dụng cụ máy tiếp xúc với mưa hoặc trong điều kiện ẩm ướt.** Nước lọt vào dụng cụ máy sẽ làm tăng nguy cơ điện giật.
- Không lạm dụng dây điện. Không được phép sử dụng dây để mang, kéo hoặc tháo phích cắm dụng cụ máy. Giữ dây tránh xa nguồn nhiệt, dầu, các mép sắc hoặc các bộ phận chuyển động.** Dây bị hỏng hoặc bị rối sẽ làm tăng nguy cơ điện giật.
- Khi vận hành dụng cụ máy ngoài trời, hãy sử dụng dây kéo dài phù hợp cho việc sử dụng ngoài trời.** Việc dùng dây phù hợp cho việc sử dụng ngoài trời sẽ giảm nguy cơ điện giật.

- Nếu bắt buộc phải vận hành dụng cụ máy ở nơi ẩm ướt, hãy sử dụng nguồn cấp điện được bảo vệ bằng thiết bị ngắt dòng điện rò (RCD).** Việc sử dụng RCD sẽ làm giảm nguy cơ điện giật.
- Các dụng cụ máy có thể tạo ra từ trường điện (EMF) có hại cho người dùng.** Tuy nhiên, người dùng máy trợ tim và những thiết bị y tế tương tự khác nên liên hệ với nhà sản xuất thiết bị và/hoặc bác sĩ để được tư vấn trước khi vận hành dụng cụ này.

An toàn Cá nhân

- Luôn tỉnh táo, quan sát những việc bạn đang làm và sử dụng những phán đoán theo kinh nghiệm khi vận hành dụng cụ máy. Không sử dụng dụng cụ máy khi bạn đang mệt mỏi hoặc chịu ảnh hưởng của ma túy, rượu hay thuốc.** Chỉ một khoảnh khắc không tập trung khi đang vận hành dụng cụ máy cũng có thể dẫn đến thương tích cá nhân nghiêm trọng.
- Sử dụng thiết bị bảo hộ cá nhân. Luôn đeo thiết bị bảo vệ mắt.** Các thiết bị bảo hộ như mặt nạ chống bụi, giày an toàn chống trượt, mũ bảo hộ hay thiết bị bảo vệ thính giác được sử dụng trong các điều kiện thích hợp sẽ giúp giảm thương tích cá nhân.
- Tránh vô tình khởi động dụng cụ máy. Đảm bảo công tắc ở vị trí off (tắt) trước khi nối nguồn điện và/hoặc bộ pin, cầm hoặc di chuyển dụng cụ máy.** Việc di chuyển dụng cụ máy khi đang đặt ngón tay ở vị trí công tắc hoặc cấp điện cho dụng cụ máy đang bật thường dễ gây ra tai nạn.
- Tháo tất cả các khóa hoặc cờ lê điều chỉnh trước khi bật dụng cụ máy.** Việc cờ lê hoặc khóa vẫn còn gắn vào bộ phận quay của dụng cụ máy có thể dẫn đến thương tích cá nhân.
- Không vơi quá cao. Luôn giữ thăng bằng tốt và có chỗ để chân phù hợp.** Điều này cho phép điều khiển dụng cụ máy tốt hơn trong những tình huống bất ngờ.
- Ăn mặc phù hợp. Không mặc quần áo rộng hay đeo đồ trang sức. Giữ tóc và quần áo tránh xa các bộ phận chuyển động.** Quần áo rộng, đồ trang sức hay tóc dài có thể mắc vào các bộ phận chuyển động.
- Nếu các thiết bị được cung cấp để kết nối các thiết bị thu gom và hút bụi, hãy đảm bảo chúng được kết nối và sử dụng hợp lý.** Việc sử dụng thiết bị thu gom bụi có thể làm giảm những mối nguy hiểm liên quan đến bụi.
- Không vì quen thuộc do thường xuyên sử dụng các dụng cụ mà cho phép bạn trở nên tự mãn và bỏ qua các nguyên tắc an toàn dụng cụ.** Một hành động bất cẩn có thể gây ra thương tích nghiêm trọng trong một phần của một giây.

9. Luôn luôn mang kính bảo hộ để bảo vệ mắt khỏi bị thương khi đang sử dụng các dụng cụ máy. Kính bảo hộ phải tuân thủ ANSI Z87.1 ở Mỹ, EN 166 ở Châu Âu, hoặc AS/NZS 1336 ở Úc/New Zealand. Tại Úc/New Zealand, theo luật pháp, bạn cũng phải mang mặt nạ che mặt để bảo vệ mặt.



Trách nhiệm của chủ lao động là bắt buộc người vận hành dụng cụ và những người khác trong khu vực làm việc cạnh đó phải sử dụng các thiết bị bảo hộ an toàn thích hợp.

Sử dụng và bảo quản dụng cụ máy

1. Không dùng lực đối với dụng cụ máy. Sử dụng đúng dụng cụ máy cho công việc của bạn. Sử dụng đúng dụng cụ máy sẽ giúp thực hiện công việc tốt hơn và an toàn hơn theo giá trị định mức được thiết kế của dụng cụ máy đó.
2. Không sử dụng dụng cụ máy nếu công tắc không bật và tắt được dụng cụ máy đó. Mọi dụng cụ máy không thể điều khiển được bằng công tắc đều rất nguy hiểm và phải được sửa chữa.
3. Rút phích cắm ra khỏi nguồn điện và/hoặc tháo kết nối bộ pin khỏi dụng cụ máy, nếu có thể tháo rời trước khi thực hiện bất kỳ công việc điều chỉnh, thay đổi phụ tùng hay cất giữ dụng cụ máy nào. Những biện pháp an toàn phòng ngừa này sẽ giảm nguy cơ vô tình khởi động dụng cụ máy.
4. Cất giữ các dụng cụ máy không sử dụng ngoài tầm với của trẻ em và không cho bất kỳ người nào không có hiểu biết về dụng cụ máy hoặc các hướng dẫn này vận hành dụng cụ máy. Dụng cụ máy sẽ rất nguy hiểm nếu được sử dụng bởi những người dùng chưa qua đào tạo.
5. Bảo dưỡng dụng cụ máy và các phụ kiện. Kiểm tra tình trạng lệch trục hoặc bó kẹt của các bộ phận chuyên động, hiện tượng nứt vỡ của các bộ phận và mọi tình trạng khác mà có thể ảnh hưởng đến hoạt động của dụng cụ máy. Nếu có hỏng hóc, hãy sửa chữa dụng cụ máy trước khi sử dụng. Nhiều tai nạn xảy ra là do không bảo quản tốt dụng cụ máy.
6. Luôn giữ cho dụng cụ cất được sắc bén và sạch sẽ. Những dụng cụ cất được bảo quản tốt có mức cất sắc sẽ ít bị kẹt hơn và dễ điều khiển hơn.

7. Sử dụng dụng cụ máy, phụ tùng và đầu dụng cụ cắt, v.v... theo các hướng dẫn này, có tính đến điều kiện làm việc và công việc được thực hiện. Việc sử dụng dụng cụ máy cho các công việc khác với công việc dự định có thể gây nguy hiểm.
8. Giữ tay cầm và bề mặt tay cầm khô, sạch, không dính dầu và mỡ. Tay cầm trơn trượt và bề mặt tay cầm không cho phép xử lý an toàn và kiểm soát dụng cụ trong các tình huống bất ngờ.
9. Khi sử dụng dụng cụ, không được đi giày tay lao động bằng vải, có thể bị vướng. Việc giày tay lao động bằng vải vướng vào các bộ phận chuyên động có thể gây ra thương tích cá nhân.

Sử dụng và bảo quản dụng cụ dùng pin

1. Chỉ sạc pin lại với bộ sạc do nhà sản xuất quy định. Bộ sạc phù hợp với một loại bộ pin này có thể gây ra nguy cơ hỏa hoạn khi được dùng cho một bộ pin khác.
2. Chỉ sử dụng các dụng cụ máy với các bộ pin được quy định cụ thể. Việc sử dụng bất cứ bộ pin nào khác có thể gây ra thương tích và hỏa hoạn.
3. Khi không sử dụng bộ pin, hãy giữ tránh xa các đồ vật khác bằng kim loại, chẳng hạn như kẹp giấy, tiền xu, chìa khóa, đinh, ốc vít hoặc các vật nhỏ bằng kim loại mà có thể làm nối tắt các đầu cực pin. Các đầu cực pin bị đoản mạch có thể gây cháy hoặc hỏa hoạn.
4. Trong điều kiện sử dụng quá mức, pin có thể bị chảy nước; hãy tránh tiếp xúc. Nếu vô tình tiếp xúc với pin bị chảy nước, hãy rửa sạch bằng nước. Nếu dung dịch từ pin tiếp xúc với mắt, cần đi khám bác sĩ thêm. Dung dịch chảy ra từ pin có thể gây rát da hoặc bỏng.
5. Không sử dụng bộ pin hoặc dụng cụ bị hư hỏng hoặc đã bị sửa đổi. Pin đã bị hư hỏng hoặc đã bị sửa đổi có thể hành động theo cách không thể đoán trước dẫn đến cháy, nổ hoặc nguy cơ chấn thương.
6. Không để bộ pin hoặc dụng cụ tiếp xúc với lửa hoặc nhiệt độ quá cao. Tiếp xúc với lửa hoặc nhiệt độ trên 130 °C có thể gây ra cháy nổ.
7. Làm theo tất cả các hướng dẫn sạc pin và không dùng sạc bộ pin hoặc dụng cụ vượt giới hạn nhiệt độ quy định trong hướng dẫn. Sạc pin không đúng hoặc ở nhiệt độ vượt giới hạn nhiệt độ có thể gây hư hỏng cho pin và làm tăng nguy cơ cháy.

Bảo dưỡng

1. Để nhân viên sửa chữa đủ trình độ bảo dưỡng dụng cụ máy của bạn và chỉ sử dụng các bộ phận thay thế đồng nhất. Việc này sẽ đảm bảo duy trì được độ an toàn của dụng cụ máy.
2. Không bao giờ sử dụng bộ pin đã hỏng. Dịch vụ bảo hành bộ pin chỉ nên thực hiện bởi nhà sản xuất hoặc các nhà cung cấp dịch vụ được ủy quyền.
3. Tuân theo hướng dẫn dành cho việc bôi trơn và thay phụ tùng.

CẢNH BÁO AN TOÀN MÁY KHOAN ĐỘNG LỰC CHẠY PIN

1. **Đeo thiết bị bảo vệ tai.** Việc để tai tiếp xúc với tiếng ồn có thể gây giảm thính lực.
2. **Sử dụng tay cầm (các tay cầm) phụ nếu được cung cấp kèm theo dụng cụ.** Việc mất khả năng kiểm soát có thể dẫn đến thương tích cá nhân.
3. **Cầm dụng cụ máy bằng bề mặt tay cầm cách điện khi thực hiện một thao tác trong đó phụ kiện cắt có thể tiếp xúc với dây điện ngầm.** Phụ kiện cắt tiếp xúc với dây dẫn "có điện" có thể khiến các bộ phận kim loại bị hở của dụng cụ máy "có điện" và làm cho người vận hành bị điện giật.
4. **Đội mũ cứng (mũ bảo hộ), mang kính bảo hộ và/hoặc mặt nạ bảo vệ mặt.** Mắt thường hoặc kính râm **KHÔNG** phải là loại kính an toàn. Chúng tôi hết sức khuyến cáo bạn nên mang khẩu trang chống bụi và đeo găng tay có đệm dày.
5. **Đảm bảo rằng đầu mũi được gắn chặt đúng vị trí trước khi vận hành.**
6. **Trong điều kiện vận hành bình thường, dụng cụ được thiết kế tạo ra rung động.** Các ốc vít có thể dễ dàng bị lỏng dần ra, gây ra hỏng hóc hoặc tai nạn. Kiểm tra kỹ độ chặt của các ốc vít trước khi vận hành.
7. **Khi thời tiết lạnh hoặc không sử dụng dụng cụ trong thời gian dài, hãy làm nóng dụng cụ một lúc bằng cách vận hành không tải.** Điều này sẽ giúp dầu bôi trơn giãn nở ra. Nếu không được làm nóng đúng cách, thao tác đóng búa sẽ gặp khó khăn.
8. **Luôn chắc chắn rằng bạn có chỗ tựa chân vững chắc.** Đảm bảo rằng không có ai ở bên dưới khi sử dụng dụng cụ ở những vị trí trên cao.
9. **Cầm chắc dụng cụ bằng cả hai tay.**
10. **Giữ tay tránh xa các bộ phận chuyển động.**
11. **Không để mặc dụng cụ hoạt động.** Chỉ vận hành dụng cụ khi cầm trên tay.
12. **Không được chia dụng cụ vào bất cứ ai ở gần khi vận hành dụng cụ.** Đầu mũi có thể văng ra ngoài và gây thương tích nghiêm trọng cho ai đó.
13. **Không chạm vào đầu mũi, các bộ phận gần đầu mũi, hoặc phơi gia công ngay sau khi vận hành; chúng có thể rất nóng và gây bỏng da.**
14. **Một số vật liệu có thể chứa hóa chất độc hại.** Phải cẩn trọng tránh hít phải bụi và để tiếp xúc với da. Tuân theo dữ liệu an toàn của nhà cung cấp vật liệu.
15. **Luôn đảm bảo rằng đã tắt dụng cụ và tháo hộp pin và đầu mũi phải tháo ra trước khi đưa dụng cụ cho người khác.**

LƯU GIỮ CÁC HƯỚNG DẪN NÀY.

▲CẢNH BÁO: KHÔNG vì đã thoải mái hay quen thuộc với sản phẩm (có được do sử dụng nhiều lần) mà không tuân thủ nghiêm ngặt các quy định về an toàn dành cho sản phẩm này. **VIỆC DÙNG SAI** hoặc không tuân theo các quy định về an toàn được nêu trong tài liệu hướng dẫn này có thể dẫn đến thương tích cá nhân nghiêm trọng.

Hướng dẫn quan trọng về an toàn dành cho hộp pin

1. **Trước khi sử dụng hộp pin, hãy đọc kỹ tất cả các hướng dẫn và dấu hiệu cảnh báo trên (1) bộ sạc pin, (2) pin và (3) sản phẩm sử dụng pin.**
2. **Không tháo rời hộp pin.**
3. **Nếu thời gian vận hành ngắn hơn quá mức, hãy ngừng vận hành ngay lập tức.** Điều này có thể dẫn đến rủi ro quá nhiệt, có thể gây bỏng và thậm chí là nổ.
4. **Nếu chất điện phân rơi vào mắt, hãy rửa sạch bằng nước sạch và đến cơ sở y tế ngay lập tức.** Chất này có thể khiến bạn giảm thị lực.
5. **Không để hộp pin ở tình trạng đoản mạch:**
 - (1) Không chạm vào cực pin bằng vật liệu dẫn điện.
 - (2) Tránh cất giữ hộp pin trong hộp có các vật kim loại khác như đinh, tiền xu, v.v...
 - (3) Không được để hộp pin tiếp xúc với nước hoặc mưa.**Đoản mạch pin có thể gây ra dòng điện lớn, quá nhiệt, có thể gây bỏng và thậm chí là hỏng hóc.**
6. **Không cất giữ dụng cụ và hộp pin ở nơi nhiệt độ có thể lên tới hoặc vượt quá 50°C.**
7. **Không đốt hộp pin ngay cả khi hộp pin đã bị hư hại nặng hoặc hư hỏng hoàn toàn.** Hộp pin có thể nổ khi tiếp xúc với lửa.
8. **Hãy cẩn trọng không làm rơi hoặc làm méo pin.**
9. **Không sử dụng pin đã hỏng.**
10. **Pin nén lithium-ion là đối tượng có yêu cầu bắt buộc theo Luật Hàng hoá Nguy hiểm.**
Đối với vận tải thương mại, ví dụ như vận tải do bên thứ ba, đại lý giao nhận, thì yêu cầu đặc biệt về đóng gói và nhãn ghi phải được giám sát. Để chuẩn bị cho mặt hàng cần vận chuyển, cần phải tham khảo ý kiến chuyên gia về vật liệu nguy hiểm. Nếu được, vui lòng tuân thủ các quy định quốc gia chi tiết hơn.
Buộc hoặc niêm phong các tiếp điểm mở và đóng gói pin theo cách đó để nó không thể di chuyển trong bao bì.
11. **Tuân theo các quy định của địa phương liên quan đến việc thải bỏ pin.**
12. **Chỉ sử dụng pin cho các sản phẩm Makita chỉ định.** Lắp pin vào sản phẩm không thích hợp có thể gây ra hỏa hoạn, quá nhiệt, nổ, hoặc rò chất điện phân.

LƯU GIỮ CÁC HƯỚNG DẪN NÀY.

⚠ THẬN TRỌNG: Chỉ sử dụng pin Makita chính hãng. Việc sử dụng pin không chính hãng Makita, hoặc pin đã được sửa đổi, có thể dẫn đến nổ pin gây ra cháy, thương tích và thiệt hại cá nhân. Nó cũng sẽ làm mất hiệu lực bảo hành của Makita dành cho dụng cụ của Makita và bộ sạc.

Mẹo duy trì tuổi thọ tối đa cho pin

1. Sạc hộp pin trước khi pin bị xả điện hoàn toàn. Luôn dừng việc vận hành dụng cụ và sạc pin khi bạn nhận thấy công suất dụng cụ bị giảm.
2. Không được phép sạc lại một hộp pin đã được sạc đầy. Sạc quá mức sẽ làm giảm tuổi thọ của pin.
3. Sạc pin ở nhiệt độ phòng 10°C - 40°C. Để cho hộp pin nóng nguội lại dần trước khi sạc pin.
4. Sạc pin sáu tháng một lần nếu bạn không sử dụng dụng cụ trong một thời gian dài (hơn sáu tháng).

Hướng dẫn quan trọng về an toàn dành cho thiết bị thu và phát không dây

1. Không tháo rời hoặc làm thay đổi thiết bị thu và phát không dây.
2. Giữ thiết bị thu và phát không dây tránh xa trẻ em. Nếu vô tình nuốt phải, hãy đến cơ sở y tế ngay lập tức.
3. Chỉ sử dụng thiết bị thu và phát không dây với các dụng cụ Makita.
4. Không để thiết bị thu và phát không dây tiếp xúc với mưa hoặc điều kiện ẩm ướt.
5. Không sử dụng thiết bị thu và phát không dây ở những nơi nhiệt độ vượt quá 50°C.
6. Không vận hành thiết bị thu và phát không dây ở những nơi gần các dụng cụ y tế, chẳng hạn như máy tạo nhịp tim.
7. Không vận hành thiết bị thu và phát không dây ở những nơi gần các thiết bị tự động. Nếu vận hành, các thiết bị tự động có thể phát sinh sự cố hoặc bị lỗi.
8. Không để thiết bị thu và phát không dây ở những nơi chịu nhiệt độ cao hoặc nơi có thể tạo ra tĩnh điện hoặc nhiễu điện.
9. Thiết bị thu và phát không dây có thể tạo ra từ trường điện (EMF) nhưng không có hại cho người dùng.
10. Thiết bị thu và phát không dây là một dụng cụ chính xác. Hãy cẩn trọng không làm rơi hoặc va đập thiết bị thu và phát không dây.
11. Tránh chạm vào điện cực của thiết bị thu và phát không dây bằng tay để trần hoặc vật liệu kim loại.
12. Luôn tháo pin ra khỏi sản phẩm khi lắp đặt thiết bị thu và phát không dây vào sản phẩm.
13. Khi mở nắp khe, hãy tránh nơi có bụi và nước có thể lọt vào khe. Luôn giữ sạch đầu vào của khe.
14. Luôn lắp thiết bị thu và phát không dây vào đúng hướng.

15. Không nhấn nút kích hoạt không dây trên thiết bị thu và phát không dây quá chặt và/hoặc nhấn nút bằng một vật có cạnh mép sắc.
16. Luôn đóng nắp khe khi vận hành.
17. Không tháo thiết bị thu và phát không dây khỏi khe trong khi dụng cụ đang được cấp điện. Làm như vậy có thể khiến thiết bị thu và phát không dây bị hỏng.
18. Không gỡ bỏ nhãn trên thiết bị thu và phát không dây.
19. Không được dán bất kỳ nhãn nào lên thiết bị thu và phát không dây.
20. Không để thiết bị thu và phát không dây ở những nơi có thể tạo ra tĩnh điện hoặc nhiễu điện.
21. Không được để thiết bị thu và phát không dây ở những nơi tiếp xúc với nguồn nhiệt cao, như trong ô tô dưới trời nắng.
22. Không để thiết bị thu và phát không dây ở những nơi có bụi hoặc bột hoặc ở những nơi tạo ra khí ăn mòn.
23. Thay đổi nhiệt độ đột ngột có thể làm thiết bị thu và phát không dây bị tự hơi nước. Không sử dụng thiết bị thu và phát không dây cho đến khi nước ngưng tụ khô hoàn toàn.
24. Khi vệ sinh thiết bị thu và phát không dây, hãy lau nhẹ nhàng bằng vải mềm khô. Không sử dụng ét xăng, dung môi, dầu mỡ dẫn hoặc tương tự.
25. Khi bảo quản thiết bị thu và phát không dây, hãy cất giữ thiết bị trong hộp đựng được giao kèm hoặc hộp chống tĩnh điện.
26. Không được lắp bất kỳ thiết bị nào ngoài thiết bị thu và phát không dây Makita vào khe trên dụng cụ.
27. Không sử dụng dụng cụ có nắp khe bị hư hỏng. Nước, bụi bắn lọt vào khe có thể gây ra sự cố.
28. Không kéo và/hoặc vận nắp khe nếu không cần thiết. Lắp lại nắp nếu nó rơi ra khỏi dụng cụ.
29. Thay thế nắp khe nếu bị mất hoặc hư hỏng.

LƯU GIỮ CÁC HƯỚNG DẪN NÀY.

MÔ TẢ CHỨC NĂNG

⚠ THẬN TRỌNG: Luôn đảm bảo rằng đã tắt dụng cụ và tháo hộp pin ra trước khi thực hiện việc điều chỉnh hoặc kiểm tra chức năng trên dụng cụ.

Lắp hoặc tháo hộp pin

⚠ THẬN TRỌNG: Luôn tắt dụng cụ trước khi lắp hoặc tháo hộp pin.

⚠ THẬN TRỌNG: Giữ dụng cụ và hộp pin thật chắc khi lắp hoặc tháo hộp pin. Không giữ dụng cụ và hộp pin thật chắc có thể làm trượt chúng khỏi tay và làm hư hỏng dụng cụ và hộp pin hoặc gây thương tích cá nhân.

► **Hình1:** 1. Đèn chỉ báo màu đỏ 2. Nút 3. Hộp pin

Để tháo hộp pin, vừa trượt pin ra khỏi dụng cụ vừa đẩy trượt nút ở phía trước hộp pin.

Để lắp hộp pin, đặt thẳng hàng phần chốt nhô ra của hộp pin vào phần rãnh nằm trên vỏ và trượt hộp pin vào vị trí. Đưa hộp pin vào cho đến khi chốt khóa vào đúng vị trí với một tiếng “cách” nhẹ. Nếu bạn vẫn còn nhìn thấy đèn chỉ báo màu đỏ ở mặt trên của nút, điều đó có nghĩa là chốt vẫn chưa được khóa hoàn toàn.

⚠ THẬN TRỌNG: Luôn lắp hộp pin khớp hoàn toàn vào vị trí cho đến khi không thể nhìn thấy đèn chỉ báo màu đỏ. Nếu không, hộp pin có thể vô tình rơi ra khỏi dụng cụ, gây thương tích cho bạn hoặc người khác xung quanh.

















⚠ THẬN TRỌNG: Không được dùng sức lắp hộp pin. Nếu hộp pin không nhẹ nhàng trượt vào vị trí, có nghĩa là pin vẫn chưa được lắp đúng.

Chỉ báo dung lượng pin còn lại

Chỉ dành cho hộp pin có đèn chỉ báo

► **Hình2:** 1. Các đèn chỉ báo 2. Nút Check (kiểm tra)

Ấn nút check (kiểm tra) trên hộp pin để chỉ báo dung lượng pin còn lại. Các đèn chỉ báo bật sáng lên trong vài giây.

| Các đèn chỉ báo | | | Dung lượng còn lại |
|--|---|---|------------------------|
|  Bật sáng |  Tắt |  Nhấp nháy | |
|  | | | 75% đến 100% |
|  |  | | 50% đến 75% |
|  |  | | 25% đến 50% |
|  |  | | 0% đến 25% |
|  |  | | Sạc pin. |
|  |  | | Pin có thể đã bị hỏng. |
|  |  | | |

LƯU Ý: Tùy thuộc vào các điều kiện sử dụng và nhiệt độ xung quanh, việc chỉ báo có thể khác biệt một chút so với dung lượng thực sự.

Hệ thống bảo vệ dụng cụ / pin

Dụng cụ này được trang bị hệ thống bảo vệ dụng cụ / pin. Hệ thống này sẽ tự động ngắt nguồn điện đến động cơ để kéo dài tuổi thọ dụng cụ và pin. Dụng cụ sẽ tự động dừng vận hành khi dụng cụ hoặc pin ở một trong những trường hợp sau đây:

Bảo vệ quá tải

Khi vận hành pin trong điều kiện làm máy tiêu tốn dòng cao bất thường, dụng cụ sẽ tự động dừng lại mà không có bất cứ dấu hiệu nào. Trong trường hợp này, hãy tắt dụng cụ và ngừng ứng dụng làm cho dụng cụ trở nên quá tải. Sau đó bật dụng cụ lên để khởi động lại.

Bảo vệ quá nhiệt

Khi dụng cụ hoặc pin bị quá nhiệt, dụng cụ sẽ tự động dừng. Trong trường hợp này, hãy để dụng cụ và pin nguội trước khi bật dụng cụ lại.

LƯU Ý: Khi dụng cụ bị quá nhiệt, đèn sẽ nhấp nháy.

Bảo vệ xả điện quá mức

Khi dung lượng pin không đủ, thì dụng cụ sẽ tự động dừng. Trong trường hợp này, hãy tháo pin khỏi dụng cụ và sạc pin lại.

Hoạt động công tắc

⚠ CẢNH BÁO: Trước khi lắp hộp pin vào dụng cụ, luôn luôn kiểm tra xem cần khởi động công tắc có hoạt động bình thường hay không và trả về vị trí “OFF” (TẮT) khi nhả ra.

► **Hình3:** 1. Cần khởi động công tắc

Để khởi động dụng cụ, chỉ cần kéo cần khởi động công tắc. Tốc độ của dụng cụ được tăng lên bằng cách tăng áp lực lên cần khởi động công tắc. Nhả cần khởi động công tắc ra để dừng.

Thay đổi tốc độ

Số vòng xoay và số nhát mỗi phút có thể được điều chỉnh bằng cách xoay đĩa điều chỉnh. Đĩa xoay được đánh dấu từ 1 (tốc độ thấp nhất) đến 5 (tốc độ cao nhất).

► **Hình4:** 1. Đĩa điều chỉnh

Tham khảo bảng dưới đây về mối liên quan giữa các số trên đĩa điều chỉnh và số vòng quay và số nhát mỗi phút.

| Số | Số vòng quay mỗi phút | Số nhát mỗi phút |
|----|-----------------------|------------------|
| 5 | 980 | 5.000 |
| 4 | 810 | 4.130 |
| 3 | 640 | 3.260 |
| 2 | 470 | 2.400 |
| 1 | 300 | 1.550 |

⚠ THẬN TRỌNG: Không xoay đĩa điều chỉnh quá nhanh khi dụng cụ đang chạy. Không làm như vậy có thể mất điều khiển dụng cụ và gây thương tích.

CHÚ Ý: Nếu dụng cụ được vận hành liên tục ở tốc độ chậm trong thời gian dài, động cơ sẽ bị quá tải, gây trục trặc cho dụng cụ.

CHÚ Ý: Đĩa điều chỉnh tốc độ có thể được xoay tới 5 và trở về 1. Không cố gắng vặn quá 5 hoặc 1, nếu không chức năng điều chỉnh tốc độ có thể không hoạt động nữa.

LƯU Ý: Chức năng quay êm khi không tải (Dành cho DHR282/DHR283)

Khi đĩa điều chỉnh tốc độ được đặt từ "3" trở lên, dụng cụ sẽ tự động giảm tốc độ về mức không tải để giảm rung khi chạy không tải. Khi bắt đầu thao tác với đầu mũi tựa lên bê-tông, số nhát đóng mỗi phút sẽ tăng lên và đạt đến con số được thể hiện trong bảng. Khi nhiệt độ thấp và dầu có độ lỏng thấp, dụng cụ có thể không thực hiện được chức năng này ngay cả khi motor đang quay.

Chức năng này không có sẵn khi hệ thống hút bụi được lắp đặt.

Bật sáng đèn phía trước

► Hình5: 1. Đèn

⚠ THẬN TRỌNG: Đừng nhìn thẳng trực tiếp vào đèn hoặc nguồn sáng.

Kéo cần khởi động công tắc để bật sáng đèn. Đèn sẽ vẫn sáng trong lúc cần khởi động công tắc đang được kéo. Đèn sẽ tắt khoảng 10 giây sau khi nhả cần khởi động công tắc.

⚠ THẬN TRỌNG: Đối với DHR282/DHR283

Nếu đèn tắt sau khi nhấp nháy vài giây, công nghệ cảm ứng Active Feedback hoặc chức năng quay êm khi không tải sẽ hoạt động không đúng cách. Liên hệ Trung Tâm Dịch vụ Makita ở địa phương bạn ở để yêu cầu sửa chữa.

LƯU Ý: Dùng vải khô để lau bụi bẩn trên kính đèn. Cần thận trọng không được làm xước kính đèn, nếu không đèn có thể bị giảm độ sáng.

LƯU Ý: Nếu hệ thống hút bụi được lắp đặt trên dụng cụ, đèn của hệ thống hút bụi sáng lên thay cho đèn của dụng cụ.

Hoạt động công tắc đảo chiều

► Hình6: 1. Cần công tắc đảo chiều

⚠ THẬN TRỌNG: Luôn luôn kiểm tra hướng xoay trước khi vận hành.

⚠ THẬN TRỌNG: Chỉ sử dụng công tắc đảo chiều sau khi dụng cụ đã dừng hoàn toàn. Việc thay đổi hướng xoay trước khi dụng cụ dừng có thể làm hỏng dụng cụ.

⚠ THẬN TRỌNG: Khi vận hành dụng cụ, luôn đặt nút công tắc đảo chiều ở vị trí chính giữa.

Dụng cụ này có một công tắc đảo chiều để thay đổi chiều xoay. Nhấn nút công tắc đảo chiều từ mặt A để xoay theo chiều kim đồng hồ hoặc từ mặt B để xoay ngược chiều kim đồng hồ. Khi nút công tắc đảo chiều ở vị trí chính giữa, không thể kéo cần khởi động công tắc được.



Thay đổi ngàm lắp nhanh cho loại SDS-plus

Đối với DHR281/DHR283

Ngàm lắp nhanh cho loại SDS-plus có thể dễ dàng thay đổi sang loại ngàm khoan lắp nhanh.

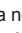

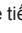
Tháo ngàm lắp nhanh cho loại SDS-plus

⚠ THẬN TRỌNG: Trước khi tháo ngàm lắp nhanh cho loại SDS-plus, hãy đảm bảo tháo đầu mũi ra.

Nắm lấy nắp thay của ngàm lắp nhanh cho loại SDS-plus và xoay theo hướng mũi tên cho đến khi vạch nắp thay di chuyển từ biểu tượng  đến biểu tượng . Dùng lực kéo mạnh theo hướng mũi tên.

► Hình7: 1. Ngàm lắp nhanh cho loại SDS-plus
2. Nắp thay 3. Vạch nắp thay

Lắp ngàm khoan lắp nhanh

Kiểm tra để vạch của ngàm khoan lắp nhanh chỉ biểu tượng . Nắm lấy nắp thay của ngàm khoan lắp nhanh và đặt đến biểu tượng . Đặt ngàm khoan lắp nhanh trên trụ quay của dụng cụ. Nắm lấy nắp thay của ngàm khoan lắp nhanh và xoay vạch nắp thay đến biểu tượng  cho đến khi nào nghe tiếng click vào khớp rõ ràng.


► Hình8: 1. Ngàm khoan lắp nhanh 2. Trụ quay
3. Vạch nắp thay 4. Nắp thay

Chọn chế độ hoạt động

CHÚ Ý: Không xoay núm chuyển chế độ hoạt động khi dụng cụ đang chạy. Dụng cụ sẽ bị hư hỏng.


CHÚ Ý: Để tránh mài mòn nhanh đối với cơ cấu chuyển chế độ, đảm bảo rằng núm chuyển chế độ hoạt động phải luôn được đặt đúng một trong ba vị trí chế độ hoạt động.

Khoan đóng búa

Đề khoan vào bê tông, hồ vữa, v.v..., hãy xoay núm chuyển chế độ hoạt động sang biểu tượng . Sử dụng đầu mũi khoan có bịt cacbua vonfram (phụ kiện tùy chọn).


► **Hình9:** 1. Khoan đóng búa 2. Núm thay đổi chế độ hoạt động

Chỉ khoan

Đề khoan vào gỗ, kim loại hoặc nguyên liệu nhựa, xoay núm thao tác đến biểu tượng . Sử dụng đầu mũi khoan xoắn hoặc đầu mũi khoan gỗ.

► **Hình10:** 1. Chỉ khoan

Chỉ đóng búa

Đề đục phá, đánh vảy hoặc phá hủy, xoay núm chuyển chế độ thao tác đến biểu tượng . Sử dụng đầu đục, mũi đục nguội, mũi đục đánh vảy, v.v...

► **Hình11:** 1. Chỉ đóng búa

Móc treo

⚠ THẬN TRỌNG: Đừng bao giờ treo dụng cụ ở vị trí cao hoặc trên bề mặt có khả năng không thẳng bằng.

► **Hình12:** 1. Móc treo

Móc treo rất thuận tiện cho việc treo tạm dụng cụ. Đề sử dụng móc treo, chỉ đơn giản nhấc móc treo cho đến khi móc treo trượt vào vị trí mở. Khi không sử dụng, luôn hạ móc treo xuống cho đến khi móc treo trượt vào vị trí đóng.

Điều chỉnh vị trí vòi xả của hệ thống hút bụi

Phụ kiện tùy chọn

Đẩy thanh dẫn vào trong khi bấm điều chỉnh thanh dẫn, rồi sau đó nhả nút tại vị trí mong muốn.

► **Hình13:** 1. thanh dẫn 2. Nút điều chỉnh thanh dẫn

LƯU Ý: Trước khi điều chỉnh vị trí vòi xả, thả vòi xả về phía trước hoàn toàn bằng cách bấm điều chỉnh thanh dẫn.

Nếu mũi khoan dài được lắp vào, kéo dài thanh dẫn bằng cách bấm nút nổi dài.

► **Hình14:** 1. Nút nổi dài

Điều chỉnh độ sâu khoan của hệ thống hút bụi

Phụ kiện tùy chọn

Trượt nút điều chỉnh độ sâu đến vị trí mong muốn trong khi vẫn bấm nút. Khoảng cách (A) là độ sâu khoan.

► **Hình15:** 1. Nút điều chỉnh độ sâu

Bộ phận giới hạn lực vận xiết

CHÚ Ý: Khi bộ phận giới hạn lực vận xiết khởi hoạt, hãy tắt dụng cụ ngay càng sớm khi có thể. Điều này sẽ giúp ngăn ngừa dụng cụ bị mài mòn quá sớm.

CHÚ Ý: Các đầu mũi khoan chẳng hạn như cưa lỗ có khuynh hướng dễ dàng bị kẹt hoặc kẹt vào trong lỗ sẽ không phù hợp với dụng cụ này. Điều này là do chúng sẽ làm cho bộ phận giới hạn lực vận xiết khởi hoạt quá thường xuyên.

Bộ phận giới hạn lực vận xiết sẽ khởi hoạt khi đạt tới một mức lực vận xiết nhất định. Động cơ sẽ được ngắt khỏi trục dẫn động. Khi điều này xảy ra, đầu mũi khoan sẽ ngừng xoay.

Chức năng điện tử

Dụng cụ này được trang bị các chức năng điện tử để dễ dàng vận hành.

- Điều khiển tốc độ không đổi
Chức năng điều khiển tốc độ cung cấp tốc độ quay không đổi bất kể điều kiện tải.
- Công nghệ cảm ứng Active Feedback (Dành cho DHR282/DHR283)
Nếu dụng cụ được xoay ở tốc độ định trước trong quá trình vận hành, động cơ sẽ bị dừng cưỡng chế để giảm gánh nặng trên cổ tay.

LƯU Ý: Chức năng này không hoạt động nếu gia tốc không đạt đến mức độ xác định khi xoay dụng cụ.

LƯU Ý: Nếu dụng cụ được xoay ở tốc độ định trước trong quá trình đục phá, đánh vảy hoặc phá hủy, động cơ sẽ bị dừng cưỡng chế. Trong trường hợp này, hãy nhả cần khởi động công tắc và sau đó kéo cần khởi động công tắc để khởi động lại dụng cụ.

LẮP RÁP

⚠ THẬN TRỌNG: Luôn đảm bảo rằng đã tắt dụng cụ và tháo hộp pin ra trước khi thực hiện bất cứ thao tác nào trên dụng cụ.

Tay cầm hồng (tay cầm phụ)

⚠ THẬN TRỌNG: Luôn sử dụng tay cầm hồng để đảm bảo vận hành an toàn.

⚠ THẬN TRỌNG: Sau khi lắp hoặc điều chỉnh tay cầm bên hồng, đảm bảo rằng tay cầm bên hồng được giữ chặt.

Để lắp tay cầm hồng, làm theo các bước sau.

1. Nới lỏng vít có tai vặn trên tay cầm hồng.
▶ **Hình16:** 1. Vít có tai vặn
2. Gắn tay cầm hồng trong khi nhấn vít có tai vặn sao cho các rãnh trên tay cầm khớp vào các gờ nhỏ ra trên nòng kẹp.
▶ **Hình17:** 1. Vít có tai vặn
3. Vặn chặt vít có tai vặn để cố định tay cầm. Tay cầm có thể được cố định theo góc nghiêng mong muốn.

Dầu mỡ

Phủ lên phía trước phần đuôi của đầu mũi khoan một lượng dầu tra đầu mũi (khoảng 0,5 - 1 g). Chất bôi trơn ngậm này nhằm đảm bảo vận hành trôi chảy và kéo dài tuổi thọ dụng cụ hơn.

Lắp hoặc tháo gỡ mũi khoan

Làm sạch phần đuôi của đầu mũi khoan và tra dầu bôi trơn trước khi lắp mũi khoan.

- ▶ **Hình18:** 1. Phần đuôi 2. Dầu mỡ

Lắp đầu mũi khoan vào dụng cụ. Xoay đầu mũi khoan và đẩy vào cho đến khi nó vào khớp. Sau khi lắp đầu mũi khoan, phải luôn đảm bảo rằng đầu mũi khoan được giữ chặt tại chỗ bằng cách thử kéo nó ra.

- ▶ **Hình19:** 1. Mũi khoan

Để tháo đầu mũi khoan, kéo nắp ngậm xuống hết mức và kéo đầu mũi khoan ra.

- ▶ **Hình20:** 1. Mũi khoan 2. Nắp ngậm

Góc nghiêng đầu mũi đục (khi đập phá, đánh vảy hoặc phá dỡ)

Đầu mũi đục có thể được giữ ở một góc nghiêng mong muốn. Để thay góc nghiêng đầu mũi đục, xoay núm thay đổi chế độ thao tác đến biểu tượng O. Xoay đầu mũi đục về góc nghiêng mong muốn.

- ▶ **Hình21:** 1. Núm thay đổi chế độ hoạt động

Xoay núm thay đổi chế độ thao tác đến biểu tượng T. Sau đó đảm bảo rằng mũi đục đã được giữ chắc chắn đúng vị trí bằng cách xoay nhẹ.

Thanh đo sâu

Thanh đo sâu rất thuận tiện để khoan các lỗ có chiều sâu đồng nhất.

Bấm và giữ nút khóa, rồi sau đó lắp thanh đo sâu vào lỗ lục giác. Đảm bảo rằng phía bên có răng của thanh đo sâu phải đối diện với vạch dấu.

- ▶ **Hình22:** 1. Thanh đo sâu 2. Nút khóa 3. Vạch dấu 4. Bên có răng

Điều chỉnh thanh đo sâu bằng cách kéo tới lui trong lúc vẫn bấm nút khóa. Sau khi điều chỉnh xong, nhả nút khóa để khóa thanh đo sâu lại.

LƯU Ý: Đảm bảo rằng thanh đo sâu không chạm vào bộ phận chính của dụng cụ khi gắn.

Lắp hoặc tháo hệ thống thu bụi

Phụ kiện tùy chọn

Để lắp đặt hệ thống hút bụi, đưa dụng cụ hết mức vào hệ thống bộ phận thu bụi cho đến khi nó được khóa vào vị trí với hai tiếng tách nhỏ.

- ▶ **Hình23**

Để tháo hệ thống hút bụi, kéo dụng cụ trong khi bấm nút nhả khóa.

- ▶ **Hình24:** 1. Nút nhả khóa

Ống chứa bụi

Phụ kiện tùy chọn

Sử dụng ống chứa bụi để ngăn ngừa bụi rơi lên dụng cụ và lên người bạn khi thực hiện các thao tác khoan cao quá đầu. Gắn ống chứa bụi và đầu mũi như trình bày trong hình. Kích thước của đầu mũi mà ống chứa bụi có thể gắn vào như sau.

| Kiểu | Đường kính đầu mũi |
|----------------|--------------------|
| Ống chứa bụi 5 | 6 mm - 14,5 mm |
| Ống chứa bụi 9 | 12 mm - 16 mm |

- ▶ **Hình25:** 1. Ống chứa bụi

Bộ ống chứa bụi

Phụ kiện tùy chọn

Trước khi lắp bộ ống chứa bụi, hãy tháo đầu mũi khỏi dụng cụ nếu đã được lắp.

Lắp bộ ống chứa bụi vào dụng cụ sao cho biểu tượng Δ trên ống chứa bụi thẳng hàng với các rãnh trên dụng cụ.

- ▶ **Hình26:** 1. Biểu tượng Δ 2. Rãnh

LƯU Ý: Nếu bạn kết nối máy hút bụi với bộ ống chứa bụi, tháo nắp chắn bụi trước khi kết nối.

- ▶ **Hình27:** 1. Nắp chắn bụi

Để tháo bộ ống chứa bụi, hãy tháo đầu mũi trong khi kéo nắp ngậm theo hướng mũi tên.

- ▶ **Hình28:** 1. Đầu mũi 2. Nắp ngậm

Giữ chân ống chứa bụi và kéo nó ra.

- ▶ **Hình29**

LƯU Ý: Nếu nắp rơi ra khỏi ống chứa bụi, hãy gắn nó vào mặt khứa hướng lên sao cho rãnh trên nắp khớp vào chu vi trong của phụ kiện.

- ▶ **Hình30**

VẬN HÀNH

⚠ THẬN TRỌNG: Luôn sử dụng dụng cụ cầm hông (tay cầm phụ) và giữ chặt dụng cụ bằng cả hai tay cầm hông và đổi tay cầm trong lúc vận hành.

⚠ THẬN TRỌNG: Luôn đảm bảo rằng phôi gia công được cố định trước khi vận hành.

⚠ THẬN TRỌNG: Không được kéo dụng cụ ra bằng lực ngay cả khi đầu mũi bị kẹt. Việc mất khả năng kiểm soát có thể dẫn đến thương tích cá nhân.

⚠ THẬN TRỌNG: Hệ thống thu bụi chỉ dành cho khoan bê tông. Không được sử dụng hệ thống thu bụi cho việc khoan kim loại hoặc gỗ.

⚠ THẬN TRỌNG: Khi sử dụng dụng cụ với hệ thống thu bụi, hãy đảm bảo gắn bộ lọc vào hệ thống thu bụi để tránh hít phải bụi.

⚠ THẬN TRỌNG: Trước khi sử dụng hệ thống thu bụi, kiểm tra xem bộ lọc có hỏng hóc không. Không làm như vậy có thể khiến bạn hít phải bụi vào phổi.

⚠ THẬN TRỌNG: Hệ thống thu bụi thu gom bụi tạo ra với tỷ lệ đáng kể, nhưng không thu hết được toàn bộ bụi.

CHÚ Ý: Không được sử dụng hệ thống thu bụi cho việc đục hoặc khoan lõi.


CHÚ Ý: Không sử dụng hệ thống thu bụi cho việc khoan bê tông ướt hoặc sử dụng hệ thống này trong môi trường ẩm ướt. Không làm như vậy có thể gây ra sạt cổ.

LƯU Ý: Nếu hộp pin ở nhiệt độ thấp, có thể không đạt được công suất mong muốn của dụng cụ. Trong trường hợp này, làm nóng hộp pin bằng cách sử dụng dụng cụ không tải trong một lúc cho đến khi đạt được công suất mong muốn của dụng cụ.

► Hình31

Thao tác khoan búa

⚠ THẬN TRỌNG: Sẽ có lực xoắn rất lớn và bất ngờ trên dụng cụ/đầu mũi khoan khi lỗ khoan được xuyên thủng, vào lúc đó, lỗ khoan bắt đầu bị kẹt bởi các mảnh vụn và hạt hoặc khi dụng cụ vào các thép gia cường có trong bê-tông. Luôn sử dụng tay cầm hông (tay cầm phụ) và giữ chặt dụng cụ bằng cả hai tay cầm hông và đổi tay cầm trong lúc vận hành. Không làm như vậy có thể mất điều khiển dụng cụ và gây thương tích nghiêm trọng.

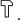
Cài núm chuyển chế độ đến biểu tượng .

Định vị đầu mũi khoan vào vị trí mong muốn cho lỗ khoan, sau đó kéo cần khởi động công tắc. Không dùng lực đối với dụng cụ. Ấn nhẹ sẽ mang lại kết quả tốt nhất. Giữ cho dụng cụ ở đúng vị trí và ngăn không bị trượt khỏi lỗ khoan.

Không được ấn mạnh khi lỗ khoan bắt đầu bị nghẽn bởi các mảnh vụn và các hạt. Thay vào đó, hãy chạy dụng cụ ở chế độ chờ, sau đó tháo riêng đầu mũi khoan ra khỏi lỗ. Bằng cách lặp lại thao tác này vài lần, lỗ khoan sẽ được sạch sẽ và có thể tiếp tục khoan bình thường.

LƯU Ý: Có thể bị lệch tâm khi xoay đầu mũi khoan trong lúc vận hành dụng cụ không tải. Dụng cụ sẽ tự động chỉnh đầu mũi khoan lại trong lúc vận hành. Điều này không ảnh hưởng đến độ chính xác khi khoan.

Đục/Đập/Phá hủy

Cài núm chuyển chế độ đến biểu tượng .

Cầm chắc dụng cụ bằng cả hai tay. Bật dụng cụ lên và nắm giữ dụng cụ với lực vừa đủ sao cho dụng cụ không bị rung bất, không kiểm soát được.

Việc ấn mạnh lên dụng cụ sẽ không làm tăng hiệu quả sử dụng.

► Hình32

Khoan vào gỗ hoặc kim loại

⚠ THẬN TRỌNG: Giữ chặt dụng cụ và chuẩn bị ghim lực quán tính lại khi mũi khoan xuyên thủng phôi gia công. Sẽ có lực quán tính rất lớn tác động lên dụng cụ/đầu mũi khoan khi lỗ khoan được xuyên thủng.


⚠ THẬN TRỌNG: Đầu mũi khoan bị kẹt có thể được tháo ra đơn giản bằng cách đặt công tắc đảo chiều sang chế độ xoay ngược lại để rút mũi khoan ra. Tuy nhiên, dụng cụ có thể quay ngược ra bất ngờ nếu bạn không giữ chặt.

⚠ THẬN TRỌNG: Luôn luôn giữ chặt các phôi gia công bằng kim hoặc dụng cụ kẹp tương tự.

CHÚ Ý: Không bao giờ sử dụng chế độ “khoan đóng búa” khi ngàm khoan được lắp trên dụng cụ. Ngàm khoan có thể bị hỏng.

Ngoài ra, ngàm khoan sẽ rơi ra khi đảo chiều xoay dụng cụ.

CHÚ Ý: Nhấn dụng cụ quá mức sẽ không tăng tốc độ khoan lên được. Trên thực tế, việc nhấn mạnh thêm này sẽ chỉ gây hỏng đầu mũi khoan của bạn, làm giảm hiệu năng và tuổi thọ hoạt động của dụng cụ.

Cài núm chuyển chế độ đến biểu tượng .

Đối với DHR280/DHR282

Phụ kiện tùy chọn

Gắn thanh dẫn ngàm vào ngàm khoan không cần khóa để vít cỡ 1/2"-20 có thể lắp vào, rồi sau đó lắp chúng vào dụng cụ. Tham khảo phần “Lắp hoặc tháo đầu mũi khoan” khi lắp đặt.

► Hình33: 1. Ngàm khoan không cần khóa 2. Thanh dẫn ngàm

Đổi với DHR281/DHR283

Sử dụng ngàm khoan lắp nhanh làm thiết bị tiêu chuẩn. Khi lắp đặt, hãy tham khảo phần "thay đổi ngàm lắp nhanh cho loại SDS-plus".

Giữ vòng và xoay trụ ngoài ngược chiều kim đồng hồ để mở các mẫu ngàm kẹp. Đặt đầu mũi vào trong ngàm kẹp hết mức có thể. Giữ chặt vòng và xoay trụ ngoài theo chiều kim đồng hồ để vận chặt ngàm.

► **Hình34:** 1. Trụ ngoài 2. Vòng

Để tháo mũi khoan, giữ vòng và xoay trụ ngoài ngược chiều kim đồng hồ.

Khoan bằng lõi kim cương

CHÚ Ý: Nếu thực hiện các thao tác khoan bằng lõi kim cương ở chế độ "khoan đóng búa", lõi kim cương có thể bị hư hỏng.

Khi tiến hành hoạt động khoan bằng lõi kim cương, luôn đặt cần thay đổi về vị trí để sử dụng thao tác "chỉ khoan".

Giữ bụi trên bộ lọc

Phụ kiện tùy chọn

⚠ THẬN TRỌNG: Không vận đĩa trên hộp chứa bụi trong khi tháo hộp chứa bụi khỏi hệ thống hút bụi. Làm như vậy có thể khiến bạn hít phải bụi vào phổi.

⚠ THẬN TRỌNG: Luôn tắt dụng cụ khi vận đĩa trên hộp chứa bụi. Vận đĩa khi dụng cụ đang chạy có thể dẫn đến mất kiểm soát dụng cụ.

Nhờ giữ bụi trên bộ lọc bên trong hộp chứa bụi, bạn có thể duy trì hiệu quả hút bụi và cũng giảm số lần xả bụi. Vận đĩa trên hộp chứa bụi ba lần sau khi thu gom mỗi 50.000 mm³ bụi hoặc khi bạn cảm thấy hiệu suất hút bụi bị giảm.

LƯU Ý: 50.000 mm³ bụi tương đương với khoan 10 lỗ Ø10 mm và sâu 65 mm (14 lỗ Ø3/8" và sâu 2").

► **Hình35:** 1. Hộp chứa bụi 2. Đĩa xoay

Thải bụi

Phụ kiện tùy chọn

⚠ THẬN TRỌNG: Luôn đảm bảo rằng đã tắt dụng cụ và tháo hộp pin ra trước khi thực hiện bất cứ thao tác nào trên dụng cụ.

⚠ THẬN TRỌNG: Hãy chắc chắn đeo mặt nạ chống bụi khi thải bụi.

⚠ THẬN TRỌNG: Thường xuyên đổ hộp chứa bụi trước khi hộp chứa bụi đầy. Không làm như vậy có thể làm giảm hiệu suất thu bụi và khiến bạn bị hít bụi vào phổi.

⚠ THẬN TRỌNG: Hiệu suất thu bụi sẽ giảm nếu bộ lọc trong hộp chứa bụi bị tắc. Thay thế bộ lọc mới sau khoảng 200 lần thu bụi như hướng dẫn. Không làm như vậy có thể khiến bạn hít phải bụi vào phổi.

1. Tháo hộp chứa bụi trong khi vẫn nhấn cần của hộp chứa bụi xuống.

► **Hình36:** 1. Cần gạt

2. Mở nắp hộp chứa bụi.

► **Hình37:** 1. Nắp che

3. Thải bộ bụi, sau đó làm sạch bộ lọc.

► **Hình38**

CHÚ Ý: Khi làm sạch bộ lọc, không chạm vào bộ lọc bằng bàn chải hoặc vật tương tự, hoặc thổi khí nén lên bộ lọc. Làm như vậy có thể làm hỏng bộ lọc.

Bóng thổi khí

Phụ kiện tùy chọn

Sau khi khoan lỗ, sử dụng bóng thổi khí để vệ sinh bụi bắn ra khỏi lỗ.

► **Hình39**

Sử dụng bộ ống chứa bụi

Phụ kiện tùy chọn

Gắn bộ ống chứa bụi áp vào trần nhà khi vận hành dụng cụ.

► **Hình40**

CHÚ Ý: Không sử dụng bộ ống chứa bụi khi khoan vào kim loại hoặc vật tương tự. Điều này có thể làm hư hỏng bộ ống chứa bụi do nhiệt sinh ra bởi các bụi kim loại nhỏ hoặc vật tương tự.

CHÚ Ý: Không lắp hoặc tháo bộ ống chứa bụi bằng mũi khoan gắn trong dụng cụ. Điều này có thể làm hỏng bộ ống chứa bụi và gây rò rỉ bụi.

CHỨC NĂNG KÍCH HOẠT KHÔNG DÂY

Phụ kiện tùy chọn đối với DHR282/DHR283

Những điều bạn có thể thực hiện với chức năng kích hoạt không dây

Chức năng kích hoạt không dây cho phép vận hành sạch và thuận lợi. Bằng cách nối máy hút bụi được hỗ trợ vào dụng cụ, bạn có thể chạy máy hút bụi tự động cùng với vận hành chuyển đổi của dụng cụ.

► **Hình41**

Để sử dụng chức năng kích hoạt không dây, hãy chuẩn bị các mục sau đây:

- Một thiết bị thu và phát không dây (phụ kiện tùy chọn)
- Một máy hút bụi hỗ trợ chức năng kích hoạt không dây

Cài đặt chức năng kích hoạt không dây được trình bày khái quát như sau đây. Vui lòng tham khảo từng phần để biết về các quy trình chi tiết.

1. Lắp thiết bị thu và phát không dây
2. Đăng ký dụng cụ cho máy hút bụi
3. Khởi động chức năng kích hoạt không dây

Lắp thiết bị thu và phát không dây

Phụ kiện tùy chọn

⚠ THẬN TRỌNG: Đặt dụng cụ lên trên bề mặt phẳng và cố định khi lắp thiết bị thu và phát không dây.

CHÚ Ý: Làm sạch bụi bẩn trên dụng cụ trước khi lắp đặt thiết bị thu và phát không dây. Bụi bẩn có thể gây ra sự cố nếu lọt vào khe của thiết bị thu và phát không dây.

CHÚ Ý: Để ngăn sự cố do tĩnh điện, hãy chạm vào vật liệu xâ tính, chẳng hạn như phần kim loại của dụng cụ, trước khi cầm thiết bị thu và phát không dây.

CHÚ Ý: Khi lắp thiết bị thu và phát không dây, luôn đảm bảo rằng thiết bị không dây được lắp vào đúng hướng và nắp được đóng lại hoàn toàn.

1. Mở nắp trên dụng cụ như minh họa trong hình.
▶ **Hình42:** 1. Nắp
2. Lắp thiết bị thu và phát không dây vào khe và sau đó đóng nắp lại.

Khi lắp thiết bị thu và phát không dây, căn chỉnh các góc nhỏ ra thẳng với các phần lõm trên khe.

- ▶ **Hình43:** 1. Thiết bị thu và phát không dây 2. Góc nhỏ ra 3. Nắp 4. Phần lõm

Khi tháo thiết bị thu và phát không dây, mở nắp từ từ. Các móc treo vào phía sau nắp sẽ nâng thiết bị thu và phát không dây khi bạn kéo nắp lên.

- ▶ **Hình44:** 1. Thiết bị thu và phát không dây 2. Móc treo 3. Nắp

Sau khi tháo thiết bị thu và phát không dây, hãy cất giữ trong hộp đựng máy được giao kèm hoặc hộp chống tĩnh điện.

CHÚ Ý: Luôn sử dụng các móc ở phía sau nắp khi tháo thiết bị thu và phát không dây. Nếu các móc không móc vào thiết bị thu và phát không dây, đóng nắp hoàn toàn và mở lại từ từ.

Đăng ký dụng cụ cho máy hút bụi

LƯU Ý: Việc đăng ký dụng cụ yêu cầu có máy hút bụi Makita hỗ trợ chức năng kích hoạt không dây.

LƯU Ý: Hãy hoàn tất quá trình lắp thiết bị thu và phát không dây vào dụng cụ trước khi bắt đầu đăng ký dụng cụ.

LƯU Ý: Trong khi đăng ký dụng cụ, không được kéo cần khởi động công tắc hoặc bật công tắc nguồn trên máy hút bụi.

LƯU Ý: Tham khảo cả tài liệu hướng dẫn về máy hút bụi.

Nếu bạn muốn kích hoạt máy hút bụi cùng với vận hành chuyển đổi dụng cụ, hãy hoàn tất đăng ký dụng cụ trước.

1. Lắp pin vào máy hút bụi và dụng cụ.
2. Gạt công tắc chờ trên máy hút bụi về "AUTO".
▶ **Hình45:** 1. Công tắc chờ
3. Nhấn nút kích hoạt không dây trên máy hút bụi trong 3 giây cho đến khi đèn kích hoạt không dây nhấp nháy màu xanh lá. Và sau đó nhấn nút kích hoạt không dây trên dụng cụ theo cách tương tự.
▶ **Hình46:** 1. Nút kích hoạt không dây 2. Đèn kích hoạt không dây

Nếu máy hút bụi và dụng cụ được kết nối thành công, đèn kích hoạt không dây sẽ sáng màu xanh lá trong 2 giây và bắt đầu nhấp nháy màu xanh dương.

LƯU Ý: Đèn kích hoạt không dây sẽ ngừng nhấp nháy màu xanh lá sau khoảng thời gian 20 giây. Nhấn nút kích hoạt không dây trên dụng cụ khi đèn kích hoạt không dây trên máy hút bụi đang nhấp nháy. Nếu đèn kích hoạt không dây không nhấp nháy màu xanh lá, bấm nút kích hoạt không dây một cách dứt khoát và để nút xuống lần nữa.

LƯU Ý: Khi thực hiện hai hay nhiều đăng ký dụng cụ cho một máy hút bụi, hãy hoàn tất từng đăng ký dụng cụ một.

Khởi động chức năng kích hoạt không dây

LƯU Ý: Hoàn tất đăng ký dụng cụ cho máy hút bụi trước khi kích hoạt không dây.

LƯU Ý: Tham khảo cả tài liệu hướng dẫn về máy hút bụi.

Sau khi đăng ký dụng cụ cho máy hút bụi, máy hút bụi sẽ chạy tự động cùng với vận hành chuyển đổi của dụng cụ.

1. Lắp thiết bị thu và phát không dây vào dụng cụ.
2. Nối ống dẫn của máy hút bụi vào dụng cụ.
▶ **Hình47**
3. Gạt công tắc chờ trên máy hút bụi về "AUTO".
▶ **Hình48:** 1. Công tắc chờ
4. Đẩy dứt khoát nút kích hoạt không dây trên dụng cụ. Đèn kích hoạt không dây sẽ nhấp nháy màu xanh dương.
▶ **Hình49:** 1. Nút kích hoạt không dây 2. Đèn kích hoạt không dây

5. Kéo cần khởi động công tắc của dụng cụ. Kiểm tra xem máy hút bụi có chạy trong khi cần khởi động công tắc được kéo hay không.

Để dừng việc kích hoạt không dây của máy hút bụi, nhấn nút kích hoạt không dây trên dụng cụ.

LƯU Ý: Đèn kích hoạt không dây trên dụng cụ sẽ dừng nhấp nháy màu xanh dương khi không vận hành 2 giờ. Trong trường hợp này, cài đặt công tắc chờ trên máy hút bụi về "AUTO" và nhấn nút kích hoạt không dây trên dụng cụ lần nữa.

LƯU Ý: Máy hút bụi khởi động/dừng lại với khoảng trì hoãn. Có một khoảng thời gian chậm lại khi máy hút bụi phát hiện việc vận hành chuyển đổi của dụng cụ.










LƯU Ý: Khoảng cách truyền của thiết bị thu và phát không dây có thể khác nhau tùy thuộc vào vị trí và hoàn cảnh xung quanh.

LƯU Ý: Khi hai hoặc nhiều dụng cụ được đăng ký cho một máy hút bụi, máy hút bụi có thể bắt đầu chạy ngay cả khi bạn không kéo cần khởi động công tắc vì một người dùng khác đang sử dụng chức năng kích hoạt không dây.

Mô tả tình trạng đèn kích hoạt không dây

► Hình50: 1. Đèn kích hoạt không dây

Đèn kích hoạt không dây cho biết tình trạng của chức năng kích hoạt không dây. Tham khảo bảng bên dưới để biết ý nghĩa của tình trạng đèn.

| Tình trạng | Đèn kích hoạt không dây | | | | Mô tả |
|------------------------|-------------------------|---|---|------------------------|--|
| | Màu |  Bật |  Nhấp nháy | Khoảng thời gian | |
| Chờ | Màu xanh dương |  | | 2 giờ | Kích hoạt không dây của máy hút bụi là khả dụng. Đèn sẽ tự động tắt khi không vận hành 2 giờ. |
| | |  | | Khi dụng cụ đang chạy. | Kích hoạt không dây của máy hút bụi là khả dụng và dụng cụ đang chạy. |
| Đăng ký dụng cụ | Màu xanh lá |  | | 20 giây | Sẵn sàng để đăng ký dụng cụ. Chờ máy hút bụi đăng ký. |
| | |  | | 2 giây | Đăng ký dụng cụ đã hoàn tất. Đèn kích hoạt không dây sẽ bắt đầu nhấp nháy màu xanh dương. |
| Hủy bỏ đăng ký dụng cụ | Màu đỏ |  | | 20 giây | Sẵn sàng để hủy bỏ đăng ký dụng cụ. Chờ máy hút bụi hủy bỏ. |
| | |  | | 2 giây | Hủy bỏ đăng ký dụng cụ đã hoàn tất. Đèn kích hoạt không dây sẽ bắt đầu nhấp nháy màu xanh dương. |
| Khác | Màu đỏ |  | | 3 giây | Cấp nguồn cho thiết bị thu và phát không dây và chức năng kích hoạt không dây khởi động. |
| | Tắt | - | - | - | Kích hoạt không dây của máy hút bụi bị ngừng lại. |

Hủy bỏ đăng ký dụng cụ cho máy hút bụi

Thực hiện theo quy trình sau đây khi hủy bỏ đăng ký dụng cụ cho máy hút bụi.

- Lắp pin vào máy hút bụi và dụng cụ.
- Gạt công tắc chờ trên máy hút bụi về "AUTO".
► **Hình51:** 1. Công tắc chờ
- Nhấn nút kích hoạt không dây trên máy hút bụi trong 6 giây. Đèn kích hoạt không dây nhấp nháy màu xanh lá và sau đó bật màu đỏ. Sau đó, nhấn nút kích hoạt không dây trên dụng cụ theo cách tương tự.
► **Hình52:** 1. Nút kích hoạt không dây 2. Đèn kích hoạt không dây

Nếu thực hiện hủy bỏ thành công, đèn kích hoạt không dây sẽ sáng màu đỏ trong 2 giây và bắt đầu nhấp nháy màu xanh dương.

LƯU Ý: Đèn kích hoạt không dây sẽ ngừng nhấp nháy màu đỏ sau khoảng thời gian 20 giây. Nhấn nút kích hoạt không dây trên dụng cụ khi đèn kích hoạt không dây trên máy hút bụi đang nhấp nháy. Nếu đèn kích hoạt không dây không nhấp nháy màu đỏ, bấm nút kích hoạt không dây một cách dứt khoát và để nút xuống lần nữa.

Xử lý sự cố cho chức năng kích hoạt không dây

Trước khi yêu cầu sửa chữa, đầu tiên hãy tự tiến hành kiểm tra của riêng bạn. Nếu bạn phát hiện vấn đề nào đó không được giải thích trong sách hướng dẫn sử dụng này, đừng cố tháo dỡ dụng cụ. Thay vào đó, hãy nhờ Trung tâm dịch vụ Makita được ủy quyền, luôn sử dụng bộ phận thay thế của Makita để sửa chữa.

| Tình trạng bất thường | Nguyên nhân tiềm tàng (sự cố hồng học) | Biện pháp khắc phục |
|---|--|--|
| Đèn kích hoạt không dây không sáng/nhấp nháy. | Thiết bị thu và phát không dây không được lắp vào dụng cụ. | Lắp thiết bị thu và phát không dây đúng cách. |
| | Thiết bị thu và phát không dây được lắp không đúng cách vào dụng cụ. | |
| | Điện cực của thiết bị thu và phát không dây và/hoặc khe bị bẩn. | Nhẹ nhàng lau sạch bụi bẩn trên điện cực của thiết bị thu và phát không dây và làm sạch khe. |
| | Nút kích hoạt không dây trên dụng cụ không được nhấn. | Đẩy dứt khoát nút kích hoạt không dây trên dụng cụ. |
| | Công tắc chờ trên máy hút bụi không được gạt về "AUTO". | Gạt công tắc chờ trên máy hút bụi về "AUTO". |
| Không có nguồn cấp điện | Cấp điện cho dụng cụ và máy hút bụi. | |
| Không thể hoàn tất đăng ký dụng cụ / hủy bỏ đăng ký dụng cụ thành công. | Thiết bị thu và phát không dây không được lắp vào dụng cụ. | Lắp thiết bị thu và phát không dây đúng cách. |
| | Thiết bị thu và phát không dây được lắp không đúng cách vào dụng cụ. | |
| | Điện cực của thiết bị thu và phát không dây và/hoặc khe bị bẩn. | Nhẹ nhàng lau sạch bụi bẩn trên điện cực của thiết bị thu và phát không dây và làm sạch khe. |
| | Công tắc chờ trên máy hút bụi không được gạt về "AUTO". | Gạt công tắc chờ trên máy hút bụi về "AUTO". |
| | Không có nguồn cấp điện | Cấp điện cho dụng cụ và máy hút bụi. |
| | Vận hành không chính xác | Nhấn dứt khoát nút kích hoạt không dây và thực hiện lại quy trình đăng ký/hủy bỏ dụng cụ. |
| | Dụng cụ và máy hút bụi cách xa nhau (ngoài phạm vi truyền). | Đặt dụng cụ và máy hút bụi gần nhau hơn. Khoảng cách truyền tối đa là khoảng 10 m, tuy nhiên có thể khác nhau tùy theo trường hợp. |
| | Trước khi hoàn tất đăng ký/hủy bỏ dụng cụ; - cần khởi động công tắc trên dụng cụ được kéo hoặc; - nút nguồn trên máy hút bụi được bật. | Nhấn dứt khoát nút kích hoạt không dây và thực hiện lại quy trình đăng ký/hủy bỏ dụng cụ. |
| | Quy trình đăng ký dụng cụ cho dụng cụ hoặc máy hút bụi chưa hoàn tất. | Thực hiện quy trình đăng ký dụng cụ cho cả dụng cụ và máy hút bụi cùng một lúc. |
| Nhiều sóng vô tuyến do các thiết bị có thể tạo ra sóng vô tuyến cường độ cao khác gây ra. | Giữ dụng cụ và máy hút bụi cách xa các thiết bị như các thiết bị Wi-Fi và lò vi sóng. | |

| Tình trạng bất thường | Nguyên nhân tiềm tàng (sự cố hồng hóc) | Biện pháp khắc phục |
|---|---|--|
| Máy hút bụi không hoạt động theo vận hành chuyển đổi dụng cụ. | Thiết bị thu và phát không dây không được lắp vào dụng cụ. | Lắp thiết bị thu và phát không dây đúng cách. |
| | Thiết bị thu và phát không dây được lắp không đúng cách vào dụng cụ. | |
| | Điện cực của thiết bị thu và phát không dây và/hoặc khe bị bẩn. | Nhẹ nhàng lau sạch bụi bẩn trên điện cực của thiết bị thu và phát không dây và làm sạch khe. |
| | Nút kích hoạt không dây trên dụng cụ không được nhấn. | Nhấn dứt khoát nút kích hoạt không dây và đảm bảo rằng đèn kích hoạt không dây đang nhấp nháy màu xanh dương. |
| | Công tắc chờ trên máy hút bụi không được gạt về "AUTO". | Gạt công tắc chờ trên máy hút bụi về "AUTO". |
| | Hơn 10 dụng cụ được đăng ký cho máy hút bụi. | Thực hiện lại đăng ký dụng cụ. Nếu có hơn 10 dụng cụ được đăng ký cho máy hút bụi, dụng cụ được đăng ký sớm nhất sẽ tự động bị hủy bỏ. |
| | Máy hút bụi đã xóa toàn bộ các đăng ký dụng cụ. | Thực hiện lại đăng ký dụng cụ. |
| | Không có nguồn cấp điện | Cấp điện cho dụng cụ và máy hút bụi. |
| | Dụng cụ và máy hút bụi cách xa nhau (ngoài phạm vi truyền). | Đặt dụng cụ và máy hút bụi gần nhau hơn. Khoảng cách truyền tối đa là khoảng 10 m, tuy nhiên có thể khác nhau tùy theo trường hợp. |
| Nhiều sóng vô tuyến do các thiết bị có thể tạo ra sóng vô tuyến cường độ cao khác gây ra. | Giữ dụng cụ và máy hút bụi cách xa các thiết bị như các thiết bị Wi-Fi và lò vi sóng. | |
| Máy hút bụi chạy trong khi cần khởi động công tắc của dụng cụ không được kéo. | Người dùng khác đang sử dụng kích hoạt không dây của máy hút bụi bằng dụng cụ của họ. | Tắt nút kích hoạt không dây của các dụng cụ khác hoặc hủy bỏ đăng ký dụng cụ của các dụng cụ khác. |

BẢO TRÌ

⚠ THẬN TRỌNG: Hãy luôn chắc chắn rằng dụng cụ đã được tắt và hộp pin đã được tháo ra trước khi cố gắng thực hiện việc kiểm tra hay bảo dưỡng.

CHÚ Ý: Không được phép dùng xăng, ét xăng, dung môi, cồn hoặc hóa chất tương tự. Có thể xảy ra hiện tượng mất màu, biến dạng hoặc nứt vỡ.

Để đảm bảo ĐỘ AN TOÀN và ĐỘ TIN CẬY của sản phẩm, việc sửa chữa hoặc bất cứ thao tác bảo trì, điều chỉnh nào đều phải được thực hiện bởi các Trung tâm Dịch vụ Nhà máy hoặc Trung tâm được Makita Ủy quyền và luôn sử dụng các phụ tùng thiết bị thay thế của Makita.

Thay thế bộ lọc của hộp chứa bụi

Phụ kiện tùy chọn

1. Tháo hộp chứa bụi trong khi vẫn nhấn cần của hộp chứa bụi xuống.

► **Hình53:** 1. Cần gạt

2. Đưa máy bắt vít đầu dẹp vào các khe của nắp bộ lọc để tháo bộ lọc.

► **Hình54:** 1. Máy bắt vít đầu dẹp 2. Nắp bộ lọc

3. Tháo bỏ bộ lọc khỏi hộp bộ lọc.

► **Hình55:** 1. Bộ lọc 2. Hộp bộ lọc

4. Gắn bộ lọc mới vào hộp bộ lọc, rồi sau đó gắn nắp bộ lọc.

5. Đóng nắp hộp chứa bụi, rồi sau đó gắn hộp chứa bụi vào hệ thống hút bụi.

Thay thế nắp đậy kín

Phụ kiện tùy chọn

Nếu nắp đậy kín bị mòn, hiệu suất thu bụi sẽ bị giảm. Hãy thay thế nếu nó bị mòn.

Tháo nắp đậy kín, sau đó lắp cái mới vào với phần nhô ra hướng lên trên.

► **Hình56:** 1. Phần nhô ra 2. Nắp đậy kín

PHỤ KIỆN TÙY CHỌN

⚠ THẬN TRỌNG: Các phụ kiện hoặc phụ tùng gắn thêm này được khuyến cáo sử dụng với dụng cụ Makita của bạn theo như quy định trong hướng dẫn này. Việc sử dụng bất cứ phụ kiện hoặc phụ tùng gắn thêm nào khác đều có thể gây ra rủi ro thương tích cho người. Chỉ sử dụng phụ kiện hoặc phụ tùng gắn thêm cho mục đích đã quy định sẵn của chúng.

Nếu bạn cần bất kỳ sự hỗ trợ nào để biết thêm chi tiết về các phụ tùng này, hãy hỏi Trung tâm Dịch vụ của Makita tại địa phương của bạn.

- Đầu mũi khoan có bịt cacbua (Đầu mũi bịt SDS-Plus các-bua)
- Đầu mũi lõi
- Đầu đục
- Đầu mũi lõi kim cương
- Mũi đục nguội
- Mũi đục đánh vẩy
- Mũi đục rãnh
- Thanh dẫn ngàm
- Ngàm khoan không cần khóa
- Dầu tra đầu mũi
- Thanh đo sâu
- Bóng thổi khí
- Ống chứa bụi
- Bộ ống chứa bụi
- Hệ thống hút bụi
- Thiết bị thu và phát không dây
- Pin và bộ sạc chính hãng của Makita
- Kính bảo hộ
- Hộp nhựa chứa dụng cụ

LƯU Ý: Một số mục trong danh sách có thể được bao gồm trong gói dụng cụ làm phụ kiện tiêu chuẩn. Các mục này ở mỗi quốc gia có thể khác nhau.

ข้อมูลจำเพาะ

| รุ่น: | | DHR280 | DHR281 | DHR282 | DHR283 |
|------------------------|-----------------------------|--------|--------|--------|--------|
| ความสามารถ | คอนกรีต | 28 mm | | | |
| | แกนดอกสว่าน | 54 mm | | | |
| | ดอกสว่านแกนเพชร (ชนิดแห้ง) | 65 mm | | | |
| | โลหะ | 13 mm | | | |
| | ไม้ | 32 mm | | | |
| ความเร็วหมุนเปล่า | 0 - 980 min ⁻¹ | | | | |
| อัตราเจาะกระแทกต่อนาที | 0 - 5,000 min ⁻¹ | | | | |
| ความยาวโดยรวม | 373 mm | 404 mm | 373 mm | 404 mm | |
| แรงดันไฟฟ้าสูงสุด | D.C. 36 V | | | | |
| น้ำหนักสุทธิ | 3.9 - 5.1 kg | | | | |

อุปกรณ์เสริม

| รุ่น: | DX08 (สำหรับ DHR280/DHR282) | DX09 (สำหรับ DHR281/DHR283) |
|---------------------|-----------------------------|-----------------------------|
| ประสิทธิภาพในการดูด | 350 l/min | |
| จังหวะการทำงาน | สูงสุด 190 mm | |
| ดอกสว่านที่เหมาะสม | สูงสุด 260 mm | |
| แรงดันไฟฟ้าสูงสุด | D.C. 18 V | |
| น้ำหนักสุทธิ | 1.6 kg | |

- เนื่องจากการค้นคว้าวิจัยและพัฒนาอย่างต่อเนื่อง ข้อมูลจำเพาะในเอกสารฉบับนี้อาจเปลี่ยนแปลงได้โดยไม่ต้องแจ้งให้ทราบล่วงหน้า
- ข้อมูลจำเพาะและตลับแบตเตอรี่อาจแตกต่างกันไปในแต่ละประเทศ
- น้ำหนักอาจแตกต่างกันไปตามอุปกรณ์เสริม รวมถึงตลับแบตเตอรี่ การติดอุปกรณ์เสริมที่เบาที่สุดและหนักที่สุดตามข้อบังคับของ EPTA 01/2014 มีแสดงอยู่ในตาราง

ตลับแบตเตอรี่ที่ใช้ได้

BL1815N / BL1820 / BL1820B / BL1830 / BL1830B / BL1840 / BL1840B / BL1850 / BL1850B / BL1860B

- ตลับแบตเตอรี่บางรายการที่แสดงอยู่ด้านบนอาจไม่มีวางจำหน่ายขึ้นอยู่กับภูมิภาคที่คุณอาศัยอยู่

คำเตือน: ใช้ตลับแบตเตอรี่ที่ระบุไว้ข้างบนเท่านั้น การใช้ตลับแบตเตอรี่ประเภทอื่นอาจก่อให้เกิดความเสี่ยงที่จะรับบาดเจ็บและ/หรือเกิดไฟไหม้

สัญลักษณ์

ต่อไปนี้เป็นสัญลักษณ์ที่ใช้สำหรับอุปกรณ์ โปรดศึกษาความหมายของสัญลักษณ์ให้เข้าใจก่อนการใช้งาน



อ่านคู่มือการใช้งาน



Ni-MH
Li-ion

สำหรับประเทศในสหภาพยุโรปเท่านั้น ห้ามทิ้งอุปกรณ์ไฟฟ้าหรือชุดแบตเตอรี่รวมกับขยะครัวเรือนทั่วไป เพื่อให้เป็นไปตามกฎระเบียบของยุโรปเกี่ยวกับขยะจำพวกอุปกรณ์ไฟฟ้าและอิเล็กทรอนิกส์ และขยะจำพวกแบตเตอรี่และหม้อสะสมไฟฟ้า และการปฏิบัติตามกฎหมายในประเทศ ต้องเก็บอุปกรณ์ไฟฟ้าและแบตเตอรี่และชุดแบตเตอรี่ทั้งหมดอายุการใช้งานแล้วแยกต่างหาก และส่งกลับไปยังศูนย์รีไซเคิลที่เป็นมิตรต่อสิ่งแวดล้อม

จุดประสงค์การใช้งาน

เครื่องมือนี้ใช้สำหรับการเจาะกระแทกและการเจาะอิฐคอนกรีต หิน และงานสกัด

เครื่องมือนี้ยังเหมาะสมกับงานเจาะแบบไร้แรงกระแทบบนไม้ เหล็ก เซรามิก และพลาสติกด้วย

คำเตือนด้านความปลอดภัย

คำเตือนด้านความปลอดภัยของเครื่องมือไฟฟ้าทั่วไป

คำเตือน: โปรดอ่านคำเตือนด้านความปลอดภัย คำแนะนำ ภาพประกอบ และข้อมูลจำเพาะต่างๆ ที่หามา กับเครื่องมือไฟฟ้านี้อย่างละเอียด การไม่ปฏิบัติตามคำแนะนำดังต่อไปนี้ อาจส่งผลให้เกิดไฟฟ้าช็อต ไฟไหม้ และ/หรือได้รับบาดเจ็บอย่างร้ายแรงได้

เก็บรักษาคำเตือนและคำแนะนำทั้งหมดไว้

เป็นข้อมูลอ้างอิงในอนาคต

คำว่า “เครื่องมือไฟฟ้า” ในคำเตือนนี้หมายถึงเครื่องมือไฟฟ้า (มีสาย) ที่ทำงานโดยใช้กระแสไฟฟ้าหรือเครื่องมือไฟฟ้า (ไร้สาย) ที่ทำงานโดยใช้แบตเตอรี่

ความปลอดภัยของพื้นที่ทำงาน

1. ดูแลพื้นที่ทำงานให้มีความสะอาดและมีแสงไฟสว่าง พื้นที่ที่ระเกะระกะหรือมืดที่บอบนำไปสู่การเกิดอุบัติเหตุได้
2. อย่าใช้งานเครื่องมือไฟฟ้าในสภาพที่อาจเกิดการระเบิด เช่น ในสถานที่ที่มีของเหลว ก๊าซ หรือฝุ่นผงที่มีคุณสมบัติไวไฟ เครื่องมือไฟฟ้าอาจสร้างประกายไฟและจุดชนวนฝุ่นผงหรือก๊าซดังกล่าว
3. ดูแลไม่ให้มีเด็กหรือบุคคลอื่นอยู่ในบริเวณที่กำลังใช้เครื่องมือไฟฟ้า การมีสิ่งรบกวนสมาธิอาจทำให้คุณสูญเสียการควบคุม

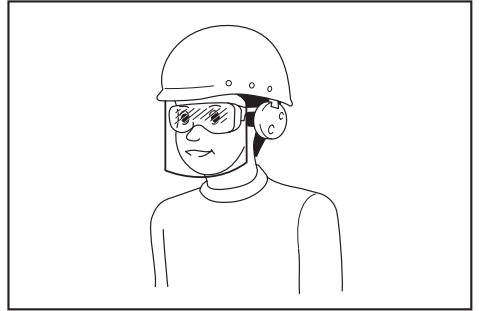
ความปลอดภัยด้านไฟฟ้า

1. ปลั๊กของเครื่องมือไฟฟ้าต้องพอดีกับเต้ารับ อย่าดัดแปลงปลั๊กไม่ว่ากรณีใดๆ อย่าใช้ปลั๊กอะแดปเตอร์กับเครื่องมือไฟฟ้าที่ต่อสายดิน ปลั๊กที่ไม่ถูกดัดแปลงและเต้ารับที่เข้ากันพอดีจะช่วยลดความเสี่ยงของการเกิดไฟฟ้าช็อต
2. ระวังอย่าให้ร่างกายสัมผัสกับพื้นผิวที่ต่อสายดิน เช่น ท่อ เครื่องนำความร้อน เตาหุงต้ม และตู้เย็น มีความเสี่ยงที่จะเกิดไฟฟ้าช็อตสูงขึ้น หากร่างกายของคุณสัมผัสกับพื้น
3. อย่าให้เครื่องมือไฟฟ้าถูกน้ำหรืออยู่ในสภาพเปียกชื้น น้ำที่ไหลเข้าไปในเครื่องมือไฟฟ้าจะเพิ่มความเสี่ยงของการเกิดไฟฟ้าช็อต
4. อย่าใช้สายไฟอย่างไม่เหมาะสม อย่าใช้สายไฟเพื่อยก ดึง หรือถอดปลั๊กเครื่องมือไฟฟ้า เก็บสายไฟให้ห่างจากความร้อน น้ำมัน ของมีคม หรือชิ้นส่วนที่เคลื่อนที่ สายที่ชำรุดหรือพันกันจะเพิ่มความเสี่ยงของการเกิดไฟฟ้าช็อต
5. ขณะที่ใช้งานเครื่องมือไฟฟ้านอกอาคาร ควรใช้สายต่อพ่วงที่เหมาะสมกับงานภายนอกอาคาร การใช้สายที่เหมาะสมกับงานภายนอกอาคารจะลดความเสี่ยงของการเกิดไฟฟ้าช็อต
6. หากต้องใช้งานเครื่องมือไฟฟ้าในสถานที่เปียกชื้น ให้ใช้อุปกรณ์ป้องกันกระแสไฟรั่ว (RCD) การใช้ RCD จะลดความเสี่ยงของการเกิดไฟฟ้าช็อต
7. เครื่องมือไฟฟ้าอาจสร้างสนามแม่เหล็ก (EMF) ที่ไม่เป็นอันตรายต่อผู้ใช้ อย่างไรก็ตาม ผู้ใช้ที่ใส่เครื่องกระตุ้นหัวใจและอุปกรณ์ทางการแพทย์ที่คล้ายกันนี้ ควรติดต่อผู้ผลิตอุปกรณ์และ/หรือแพทย์เพื่อรับคำแนะนำก่อนใช้งานเครื่องมือไฟฟ้านี้

ความปลอดภัยส่วนบุคคล

1. ให้ระมัดระวังและมีสติอยู่เสมอขณะใช้งานเครื่องมือไฟฟ้า อย่าใช้งานเครื่องมือไฟฟ้าในขณะที่คุณกำลังเหนื่อย หรือในสภาพที่มันมาจากยาเสพติด เครื่องดื่ม ต้ม แอลกอฮอล์ หรือการเข้ายา ชั่วขณะที่ขาดความระมัดระวังเมื่อกำลังใช้งานเครื่องมือไฟฟ้าอาจทำให้ได้รับบาดเจ็บร้ายแรง
2. ใช้อุปกรณ์ป้องกันส่วนบุคคล สวมแว่นตาป้องกันเสมอ อุปกรณ์ป้องกัน เช่น หน้ากากกันฝุ่น รองเท้านิรภัย กันลื่น หมวกนิรภัย หรือเครื่องป้องกันการได้ยินที่ใช้ในสภาพที่เหมาะสมจะช่วยลดการบาดเจ็บ
3. ป้องกันไม่ให้เกิดการเปิดใช้งานโดยไม่ตั้งใจ ตรวจสอบให้แน่ใจว่าสวิตช์ปิดอยู่ก่อนที่จะเชื่อมต่อกับแหล่งจ่ายไฟ และ/หรือชุดแบตเตอรี่ รวมทั้งตรวจสอบก่อนการยกหรือเคลื่อนย้ายเครื่องมือ การสอดนิ้วมือบริเวณสวิตช์เพื่อถือเครื่องมือไฟฟ้า หรือการชาร์จไฟเครื่องมือไฟฟ้าในขณะที่เปิดสวิตช์อยู่อาจนำไปสู่การเกิดอุบัติเหตุ
4. นำกุญแจปรับตั้งหรือประแจออกก่อนที่จะเปิดเครื่องมือไฟฟ้า ประแจหรือกุญแจที่เสียบค้างอยู่ในชิ้นส่วนที่หมุนได้ของเครื่องมือไฟฟ้าอาจทำให้ได้รับบาดเจ็บ
5. อย่าทำงานในระยะที่สูดเอื้อม จัดท่าการยืนและการทรงตัวให้เหมาะสมตลอดเวลา เพราะจะทำให้ควบคุมเครื่องมือไฟฟ้าได้ดีขึ้นในสถานการณ์ที่ไม่คาดคิด
6. แต่งกายให้เหมาะสม อย่าสวมเครื่องแต่งกายที่หลวมเกินไป หรือสวมเครื่องประดับ ดูแลไม่ให้เส้นผมและเสื้อผ้าอยู่ใกล้ชิ้นส่วนที่เคลื่อนที่ เสื้อผ้ารุ่มร่าม เครื่องประดับ หรือผมที่มีความยาวอาจเข้าไปติดในชิ้นส่วนที่เคลื่อนที่
7. หากมีการจัดอุปกรณ์สำหรับดูดและจับเก็บฝุ่นไว้ในสถานที่ ให้ตรวจสอบว่าได้เชื่อมต่อและใช้งานอุปกรณ์นั้นอย่างเหมาะสม การใช้เครื่องดูดและจับเก็บฝุ่นจะช่วยลดอันตรายที่เกิดจากฝุ่นผงได้
8. อย่าให้ความดันเคยจากการใช้งานเครื่องมือเป็นประจำทำให้คุณทำตัวตามสบายและละเลยหลักการเพื่อความปลอดภัยในการใช้เครื่องมือ การกระทำที่ไม่ระมัดระวังอาจทำให้เกิดการบาดเจ็บร้ายแรงภายในเสี้ยววินาที

9. สวมใส่แว่นครอบตานิรภัยเพื่อปกป้องดวงตาของคุณจากการบาดเจ็บเมื่อใช้เครื่องมือไฟฟ้า แว่นครอบตาจะต้องได้มาตรฐาน ANSI Z87.1 ในสหรัฐอเมริกา, EN 166 ในยุโรป หรือ AS/NZS 1336 ในออสเตรเลีย/นิวซีแลนด์ ในออสเตรเลีย/นิวซีแลนด์ จะต้องสวมเกราะป้องกันใบหน้าเพื่อปกป้องใบหน้าของคุณอย่างถูกต้องตามกฎหมายด้วย



ผู้ว่าจ้างมีหน้าที่รับผิดชอบในการบังคับผู้ใช้งานเครื่องมือและบุคคลอื่น ๆ ที่อยู่ในบริเวณที่ปฏิบัติงานให้ใช้อุปกรณ์ป้องกันที่เหมาะสม

การใช้และดูแลเครื่องมือไฟฟ้า

1. อย่าฝืนใช้เครื่องมือไฟฟ้า ใช้เครื่องมือไฟฟ้าที่เหมาะสมกับการใช้งานของคุณ เครื่องมือไฟฟ้าที่เหมาะสมจะทำให้ได้งานที่มีประสิทธิภาพและปลอดภัยกว่าตามขีดความสามารถของเครื่องที่ได้รับการออกแบบมา
2. อย่าใช้เครื่องมือไฟฟ้า หากสวิตช์ไม่สามารถเปิดปิดได้ เครื่องมือไฟฟ้าที่ควบคุมด้วยสวิตช์ไม่ได้เป็นสิ่งอันตรายและต้องได้รับการซ่อมแซม
3. ถอดปลั๊กจากแหล่งจ่ายไฟ และ/หรือชุดแบตเตอรี่ ออกจากเครื่องมือไฟฟ้าก่อนทำการปรับตั้ง เปลี่ยนอุปกรณ์เสริม หรือจัดเก็บเครื่องมือไฟฟ้า วิธีการป้องกันด้านความปลอดภัยดังกล่าวจะช่วยลดความเสี่ยงในการเปิดใช้งานเครื่องมือไฟฟ้าโดยไม่ตั้งใจ
4. จัดเก็บเครื่องมือไฟฟ้าที่ไม่ได้ใช้งานให้ห่างจากมือเด็ก และอย่าอนุญาตให้บุคคลที่ไม่คุ้นเคยกับเครื่องมือไฟฟ้าหรือคำแนะนำเหล่านี้ใช้งานเครื่องมือไฟฟ้า เครื่องมือไฟฟ้าจะเป็นอันตรายเมื่ออยู่ในมือของผู้ที่ไม่ได้รับการฝึกอบรม

- บำรุงรักษาเครื่องมือไฟฟ้าและอุปกรณ์เสริม ตรวจสอบการประกอบที่ไม่ถูกต้องหรือการเชื่อมต่อของชิ้นส่วนที่เคลื่อนที่ การแตกหักของชิ้นส่วน หรือสภาพอื่น ๆ ที่อาจส่งผลกระทบต่อการทำงานของเครื่องมือไฟฟ้า หากมีความเสียหายให้นำเครื่องมือไฟฟ้าไปซ่อมแซมก่อนการใช้งาน อุบัติเหตุจำนวนมากเกิดจากการดูแลรักษาเครื่องมือไฟฟ้าอย่างไม่ถูกต้อง
- ทำความเข้าใจเกี่ยวกับเครื่องมือที่ติดตั้งและปล่อยให้เครื่องมือการตัดที่มีการดูแลอย่างถูกต้องและมิชอบการตัดคมมักจะมีปัญหาติดขัดน้อยและควบคุมได้ง่ายกว่า
- ใช้เครื่องมือไฟฟ้า อุปกรณ์เสริม และวัสดุสิ้นเปลือง ฯลฯ ตามคำแนะนำดังกล่าว พิจารณาสภาพการทำงานและงานที่จะลงมือทำ การใช้เครื่องมือไฟฟ้าเพื่อทำงานอื่นนอกเหนือจากที่กำหนดไว้อาจทำให้เกิดอันตราย
- ดูแลมีดจับและบริเวณมือจับให้แห้ง สะอาด และไม่มีน้ำมันและจาระบีเปื้อน มีดจับและบริเวณมือจับที่ลื่นจะทำให้ไม่สามารถจับและควบคุมเครื่องมือได้อย่างปลอดภัยในสถานการณ์ที่ไม่คาดคิด
- ขณะใช้งานเครื่องมือ อย่าสวมใส่ถุงมือผ้าที่อาจเข้าไปติดในเครื่องมือได้ หากถุงมือผ้าเข้าไปติดในชิ้นส่วนที่กำลังเคลื่อนที่อยู่อาจทำให้ได้รับบาดเจ็บ

การใช้งานและดูแลเครื่องมือที่ใช้แบตเตอรี่

- ชาร์จไฟใหม่ด้วยเครื่องชาร์จที่ระบุโดยผู้ผลิตเท่านั้น เครื่องชาร์จที่เหมาะสมสำหรับชุดแบตเตอรี่ประเภทหนึ่งอาจเสี่ยงที่จะเกิดไฟไหม้หากนำไปใช้กับชุดแบตเตอรี่อีกประเภทหนึ่ง
- ใช้เครื่องมือไฟฟ้ากับชุดแบตเตอรี่ที่กำหนดมาโดยเฉพาะเท่านั้น การใช้ชุดแบตเตอรี่ประเภทอื่นอาจทำให้เสี่ยงที่จะได้รับบาดเจ็บและเกิดไฟไหม้
- เมื่อไม่ใช้งานชุดแบตเตอรี่ ให้เก็บห่างจากวัตถุที่เป็นโลหะอื่น ๆ เช่น คลิปหนีบกระดาษ เหรียญ กุญแจ กรรไกรตัดเล็บ สกรู หรือวัตถุที่เป็นโลหะขนาดเล็กอื่น ๆ ที่สามารถเชื่อมต่อชั่วคราวกับอีกขั้วหนึ่งได้ การลัดวงจรขั้วแบตเตอรี่อาจทำให้อ่อนจัดหรือเกิดไฟไหม้
- ในกรณีที่ใช้งานไม่ถูกต้อง อาจมีของเหลวไหลออกจากแบตเตอรี่ ให้หลีกเลี่ยงการสัมผัส หากสัมผัสโดนของเหลวโดยไม่ตั้งใจ ให้ล้างออกด้วยน้ำ หากของเหลวกระเด็นเข้าตา ให้รีบไปพบแพทย์ ของเหลวที่ไหลออกจากแบตเตอรี่อาจทำให้ผิวหนังระคายเคืองหรือไหม้

- ห้ามใช้ชุดแบตเตอรี่หรือเครื่องมือที่ชาร์จหรือมีการแก้ไข แบตเตอรี่ที่เสียหายหรือมีการแก้ไขอาจทำให้เกิดสิ่งที่ไม่ดีได้ เช่น ไฟไหม้ ระเบิด หรือเสี่ยงต่อการบาดเจ็บ
- ห้ามให้ชุดแบตเตอรี่อยู่ใกล้ไฟ หรือบริเวณที่มีอุณหภูมิสูงเกิน หากโดนไฟ หรืออุณหภูมิสูงเกิน 130 °C อาจก่อให้เกิดการระเบิดได้
- กรุณาปฏิบัติตามคำแนะนำสำหรับชาร์จไฟ และห้ามชาร์จแบตเตอรี่หรือเครื่องมือในบริเวณที่มีอุณหภูมินอกเหนือไปจากที่ระบุในคำแนะนำ การชาร์จไฟที่ไม่เหมาะสม หรืออุณหภูมินอกเหนือไปจากช่วงอุณหภูมิที่ระบุในคำแนะนำอาจทำให้แบตเตอรี่เสียหายและเป็นการเพิ่มความเสี่ยงในการเกิดไฟไหม้

การซ่อมบำรุง

- นำเครื่องมือไฟฟ้าเข้ารับบริการจากช่างซ่อมที่ผ่านการรับรองโดยใช้อะไหล่แบบเดียวกันเท่านั้น เพราะจะทำให้การใช้เครื่องมือไฟฟ้ามีความปลอดภัย
- ห้ามใช้ชุดแบตเตอรี่ที่เสียหาย ชุดแบตเตอรี่ที่ชำรุดเป็นชุดที่มาจากผู้ผลิต หรือผู้ให้บริการที่ได้รับอนุญาตเท่านั้น
- ปฏิบัติตามคำแนะนำในการหล่อลื่นและการเปลี่ยนอุปกรณ์เสริม

คำเตือนด้านความปลอดภัยของสว่านไฟฟ้าไร้สาย

- สวมใส่อุปกรณ์ป้องกันเสียง เสียงที่ดังเกินขนาดอาจทำให้สูญเสียการได้ยิน
- ใช้มือจับเสริม หากมีมากับเครื่องมือ การสูญเสียการควบคุมอาจทำให้ได้รับบาดเจ็บ
- ถือเครื่องมือไฟฟ้าบริเวณมือจับที่เป็นฉนวนเมื่อทำงานที่เครื่องมือตัดอาจสัมผัสกับสายไฟที่ซ่อนอยู่ หากอุปกรณ์ส่วนที่ตัดเกิดสัมผัสกับสายไฟที่ "มีกระแสไฟฟ้าไหลผ่าน" อาจทำให้ส่วนที่เป็นโลหะของเครื่องมือไฟฟ้าที่ไม่มีฉนวนหุ้มเกิดกระแสไฟฟ้าไหลผ่านได้ และส่งผลให้ผู้ปฏิบัติงานถูกไฟฟ้าช็อต
- สวมหมวกแข็ง (หมวกนิรภัย) แวนนิรภัย และ/หรือ หน้ากากป้องกัน แวนตาปัดหรือแว่นกันแดดไม่ใช่แว่นนิรภัย และขอแนะนำอย่างยิ่งให้สวมหน้ากากกันฝุ่นและถุงมือหนาๆ
- ตรวจสอบให้แน่ใจว่าดอกสว่านยึดแน่นเข้าที่ดีแล้วก่อนการใช้งาน

6. ภายใต้การทำงานปกติ เครื่องมือได้รับการออกแบบมาเพื่อสร้างแรงสั่นสะเทือน ดังนั้น สกรูต่างๆ จะหลวมได้ง่าย ซึ่งอาจทำให้เครื่องเสียหรือเกิดอุบัติเหตุ ตรวจสอบให้แน่ใจว่าขันสกรูแน่นดีแล้วก่อนการใช้งาน
7. ในสภาพอากาศหนาวหรือเมื่อไม่มีการใช้เครื่องมือเป็นระยะเวลานาน ต้องอุ่นเครื่องมือสักครู่โดยการเปิดเครื่องทิ้งไว้เฉยๆ เพื่อให้มีการหล่อลื่น หากไม่มีการอุ่นเครื่องมืออย่างเหมาะสม การเจาะสกัดจะทำได้ยาก
8. ตรวจสอบให้แน่ใจว่าได้ยื่นอย่างมั่นคง หากใช้งานเครื่องมือในพื้นที่สูง ระวังอย่าให้มีคนอยู่ด้านล่าง
9. จับเครื่องมือให้แน่นด้วยมือทั้งสองข้าง
10. ระวังอย่าให้มือสัมผัสกับชิ้นส่วนที่เคลื่อนที่
11. อย่าปล่อยให้เครื่องมือทำงานค้างไว้ ใช้งานเครื่องมือในขณะที่ถืออยู่เท่านั้น
12. อย่าใช้เครื่องมือเข้าไปที่บุคคลใดในพื้นที่ทำงานขณะใช้งาน ดอกสว่านอาจกระเด็นออกและทำให้ได้รับบาดเจ็บร้ายแรง
13. อย่าสัมผัสดอกสว่าน ชิ้นส่วนที่ใกล้กับดอกสว่าน หรือชิ้นงานทันทีหลังเริ่มใช้งาน เนื่องจากอาจมีความร้อนสูงและไหม้ผิวของคุณได้
14. วัสดุบางอย่างอาจมีสารเคมีที่เป็นพิษ ระวังอย่าสูดดมฝุ่นหรือสัมผัสกับผิวหนัง ปฏิบัติตามข้อมูลด้านความปลอดภัยของผู้ผลิตวัสดุ
15. ตรวจสอบให้แน่ใจว่าได้ปิดสวิตช์เครื่องมือและถอดด้ามแบตเตอรี่รวมถึงดอกสว่านออกแล้วก่อนส่งเครื่องมือให้บุคคลอื่น

ปฏิบัติตามคำแนะนำเหล่านี้

คำเตือน: อย่าให้ความไม่ระมัดระวังหรือความคุ้นเคยกับผลิตภัณฑ์ (จากการใช้งานซ้ำหลายครั้ง) อยู่เหนือการปฏิบัติตามกฎเกณฑ์ด้านความปลอดภัยในการใช้งาน ผลิตภัณฑ์อย่างเคร่งครัด การใช้งานอย่างไม่เหมาะสมหรือการไม่ปฏิบัติตามกฎเกณฑ์ด้านความปลอดภัยในคู่มือการใช้งานนี้อาจทำให้ได้รับบาดเจ็บร้ายแรง

คำแนะนำเพื่อความปลอดภัยที่สำคัญสำหรับด้ามแบตเตอรี่

1. ก่อนใช้งานด้ามแบตเตอรี่ให้อ่านคำแนะนำและเครื่องหมายความเตือนทั้งหมดบน (1) เครื่องชาร์จแบตเตอรี่ (2) แบตเตอรี่ และ (3) ตัวผลิตภัณฑ์ที่ใช้แบตเตอรี่
2. ห้ามถอดแยกส่วนด้ามแบตเตอรี่

3. หากระยะเวลาที่เครื่องทำงานสั้นเกินไป ให้หยุดใช้งานทันที เนื่องจากอาจมีความเสี่ยงที่จะร้อนจัด ใหม้หรือระเบิดได้
4. หากสารละลายอิเล็กโทรไลต์กระเด็นเข้าตา ให้ล้างออกด้วยน้ำเปล่าและรีบไปพบแพทย์ทันที เนื่องจากอาจทำให้ตาบอด
5. ห้ามลัดวงจรด้ามแบตเตอรี่:
 - (1) ห้ามแตะขั้วกับวัตถุที่เป็นสื่อนำไฟฟ้าใดๆ
 - (2) หลีกเลี่ยงการเก็บด้ามแบตเตอรี่ไว้ในภาชนะร่วมกับวัตถุที่เป็นโลหะ เช่น กรรไกรตัดเล็บ เหรียญ ฯลฯ
 - (3) อย่าให้ด้ามแบตเตอรี่ถูกน้ำหรือฝน
6. ห้ามเก็บเครื่องมือและด้ามแบตเตอรี่ไว้ในสถานที่ที่มีอุณหภูมิสูงถึงหรือเกิน 50 °C
7. ห้ามเผาด้ามแบตเตอรี่ทิ้ง แม้ว่าแบตเตอรี่จะเสียหายจนใช้การไม่ได้หรือเสื่อมสภาพแล้ว ด้ามแบตเตอรี่อาจจะระเบิดในกองไฟ
8. ระวังอย่าทำแบตเตอรี่ติดก้นหรือกระทบกระแทก
9. ห้ามใช้แบตเตอรี่ที่เสียหาย
10. แบตเตอรี่ลิเทียมไอออนที่มีมาให้ห็นเป็นไปตามข้อกำหนดของ Dangerous Goods Legislation สำหรับการขนส่งเพื่อการพาณิชย์ เช่น โดยบุคคลที่สาม ตัวแทนขนส่งสินค้า จะต้องตรวจสอบข้อกำหนดพิเศษในด้านการบรรจุหีบห่อหรือการติดป้ายสินค้าในการเตรียมสินค้าที่จะขนส่ง ให้ปรึกษาผู้เชี่ยวชาญด้านวัตถุอันตราย โปรดตรวจสอบข้อกำหนดในประเทศที่อาจมีรายละเอียดอื่น ๆ เพิ่มเติม ให้ติดเทปหรือปิดหน้าสัมผัสและห่อแบตเตอรี่ในลักษณะที่แบตเตอรี่จะไม่เคลื่อนที่ไปมาในหีบห่อ
11. ปฏิบัติตามข้อบังคับในท้องถิ่นที่เกี่ยวกับการกำจัดแบตเตอรี่
12. ใช้แบตเตอรี่กับผลิตภัณฑ์ที่ระบุโดย Makita เท่านั้น การติดตั้งแบตเตอรี่ในผลิตภัณฑ์ที่ไม่ใช่ตามที่ระบุอาจทำให้เกิดไฟไหม้ ความร้อนสูง ระเบิด หรืออิเล็กโทรไลต์รั่วไหลได้

ปฏิบัติตามคำแนะนำเหล่านี้

⚠️ ข้อควรระวัง: ใช้แบตเตอรี่ของแท้จาก Makita เท่านั้น การใช้แบตเตอรี่ Makita ที่ไม่แท้ หรือแบตเตอรี่ที่ถูกเปลี่ยน อาจทำให้แบตเตอรี่ระเบิด ก่อให้เกิดเพลิงลุกไหม้ การบาดเจ็บ และความเสียหายได้ และจะทำให้การรับประกันของ Makita สำหรับเครื่องมือและแท่นชาร์จของ Makita เป็นโมฆะด้วย

เคล็ดลับในการรักษาอายุการใช้งานของแบตเตอรี่ให้ยาวนานที่สุด

1. ชาร์จถลับแบตเตอรี่ก่อนที่ไฟจะหมด หยุดการใช้งานแล้วชาร์จประจุไฟฟ้าใหม่ทุกครั้งเมื่อคุณรู้สึกว่าอุปกรณ์มีกำลังลดลง
2. อย่าชาร์จถลับแบตเตอรี่ที่มีไฟเต็มแล้ว การชาร์จประจุไฟฟ้ามากเกินไปอาจจะทำให้อายุการใช้งานของถลับแบตเตอรี่สั้นลง
3. ชาร์จประจุไฟฟ้าถลับแบตเตอรี่ในห้องที่มีอุณหภูมิระหว่าง 10 °C - 40 °C ปล่อยให้ถลับแบตเตอรี่เย็นลงก่อนที่จะชาร์จไฟ
4. ชาร์จไฟถลับแบตเตอรี่หากคุณไม่ต้องการใช้เป็นเวลานาน (เกินกว่าหกเดือน)

คำแนะนำด้านความปลอดภัยที่สำคัญสำหรับอุปกรณ์รับส่งสัญญาณไร้สาย

1. อย่าถอดแยกชิ้นส่วนหรือปรับเปลี่ยนอุปกรณ์รับส่งสัญญาณไร้สาย
2. เก็บอุปกรณ์รับส่งสัญญาณไร้สายให้ห่างจากเด็กเล็ก หากเด็กกลืนอุปกรณ์เข้าไปโดยบังเอิญ โปรดพาไปพบแพทย์ทันที
3. ใช้อุปกรณ์รับส่งสัญญาณไร้สายกับเครื่องมือของ Makita เท่านั้น
4. อย่าให้อุปกรณ์รับส่งสัญญาณไร้สายถูกฝนหรืออยู่ในสภาพเปียกชื้น
5. อย่าใช้อุปกรณ์รับส่งสัญญาณไร้สายในสถานที่ที่มีอุณหภูมิสูงกว่า 50°C
6. อย่าใช้งานอุปกรณ์รับส่งสัญญาณไร้สายในสถานที่ที่มีเครื่องมือทางการแพทย์อิเล็กทรอนิกส์ เช่น เครื่องกระตุ้นการเต้นของหัวใจ เป็นต้น
7. อย่าใช้งานอุปกรณ์รับส่งสัญญาณไร้สายในสถานที่ที่มีอุปกรณ์อัตโนมัติอยู่ใกล้ๆ เนื่องจากอุปกรณ์อัตโนมัติอาจทำงานผิดพลาดหรือเกิดความผิดพลาดได้
8. อย่าใช้อุปกรณ์ไร้สายในสถานที่ที่มีอุณหภูมิสูง หรือสถานที่ที่อาจเกิดไฟฟ้าสถิต หรือสัญญาณรบกวนทางไฟฟ้า

9. อุปกรณ์รับส่งสัญญาณไร้สายอาจสร้างสนามแม่เหล็ก (EMF) แต่ไม่เป็นอันตรายต่อผู้ใช้
10. อุปกรณ์รับส่งสัญญาณไร้สายเป็นเครื่องมือที่มีความแม่นยำ ระวังอย่าให้อุปกรณ์รับส่งสัญญาณไร้สายตกหล่นหรือกระทบกระแทก
11. หลีกเลี่ยงการสัมผัสขั้วต่อของอุปกรณ์รับส่งสัญญาณไร้สายด้วยมือเปล่าหรือวัสดุที่ทากจากโลหะ
12. นำแบตเตอรี่ออกจากผลิตภัณฑ์เสมอเมื่อติดตั้งอุปกรณ์รับส่งสัญญาณไร้สายบนผลิตภัณฑ์
13. เมื่อเปิดฝาปิดช่องเสียบ โปรดหลีกเลี่ยงสถานที่ที่ฝุ่นและน้ำอาจเข้าไปในช่องเสียบได้ รักษาช่องทางเข้าช่องเสียบให้สะอาดอยู่เสมอ
14. ใส่อุปกรณ์รับส่งสัญญาณไร้สายในทิศทางที่ถูกต้องเสมอ
15. อย่ากดปุ่มส่งงานด้วยสัญญาณไร้สายบนอุปกรณ์รับส่งสัญญาณไร้สายแรงจนเกินไป และ/หรือ อย่ากดปุ่มด้วยวัตถุที่มีขอบคม
16. ปิดฝาปิดช่องเสียบขณะใช้งานเสมอ
17. ยื่อนำอุปกรณ์รับส่งสัญญาณไร้สายออกจากช่องเสียบในขณะที่เครื่องมือยังเชื่อมต่อกับไฟฟ้าอยู่ มิฉะนั้นอาจทำให้อุปกรณ์รับส่งสัญญาณไร้สายทำงานผิดพลาดได้
18. อย่าแกะสติ๊กเกอร์บนอุปกรณ์รับส่งสัญญาณไร้สายออก
19. อย่าแกะสติ๊กเกอร์บนอุปกรณ์รับส่งสัญญาณไร้สาย
20. อย่าวางอุปกรณ์รับส่งสัญญาณไร้สายไว้ในสถานที่ที่อาจเกิดไฟฟ้าสถิตหรือสัญญาณรบกวนทางไฟฟ้า
21. อย่าวางอุปกรณ์รับส่งสัญญาณไร้สายไว้ในสถานที่ที่อาจเกิดความร้อนสูง เช่น รถยนต์ที่จอดไว้กลางแจ้ง
22. อย่าวางอุปกรณ์รับส่งสัญญาณไร้สายไว้ในสถานที่ที่เต็มไปด้วยฝุ่นหรือผง หรือในสถานที่ที่อาจเกิดก๊าซกัดกร่อน
23. การเปลี่ยนแปลงของอุณหภูมิอย่างกะทันหันอาจทำให้อุปกรณ์รับส่งสัญญาณไร้สายขึ้นด้วยหยดน้ำค้างได้ อย่าใช้อุปกรณ์รับส่งสัญญาณไร้สายจนกว่าน้ำค้างจะแห้งสนิท
24. เมื่อต้องการทำความสะอาดอุปกรณ์รับส่งสัญญาณไร้สาย ให้ใช้ผ้าแห้งที่อ่อนนุ่มค่อยๆ เช็ดอย่างเบาเมืออย่าใช้เบนซิน ทินเนอร์ จาระบีที่นำกระแสไฟฟ้า หรือที่คล้ายกันนี้
25. เมื่อต้องการเก็บอุปกรณ์รับส่งสัญญาณไร้สาย ให้เก็บไว้ในกล่องที่ให้มาหรือในภาชนะที่ปลอดภัยไฟฟ้าสถิต

26. อย่าใส่อุปกรณ์อื่นนอกจากอุปกรณ์รับส่งสัญญาณไร้สายของ Makita เข้าไปในช่องเสียบบนเครื่องมือ
 27. อย่าใช้เครื่องมือที่ฝาปิดของช่องเสียบชาร์จ น้ำ ฝุ่น และสิ่งสกปรกที่เข้าไปในช่องเสียบอาจทำให้เกิดการทำงานผิดปกติได้
 28. อย่าดึงและ/หรือบิดฝาปิดช่องเสียบมากเกินไปจนจำเป็น เก็บฝาปิดไว้หากฝาปิดหลุดออกจากเครื่องมือ
 29. เปลี่ยนฝาปิดช่องเสียบใหม่หากสูญหายหรือชำรุด
- ปฏิบัติตามคำแนะนำเหล่านี้**

คำอธิบายการทำงาน

⚠ ข้อควรระวัง: ตรวจสอบให้แน่ใจว่าได้ปิดสวิตช์เครื่องมือและถอดตลับแบตเตอรี่ออกก่อนปรับตั้งหรือตรวจสอบการทำงานของเครื่องมือ

การใส่หรือการถอดตลับแบตเตอรี่

⚠ ข้อควรระวัง: ปิดสวิตช์เครื่องมือก่อนทำการติดตั้งหรือการถอดตลับแบตเตอรี่ทุกครั้ง

⚠ ข้อควรระวัง: ถือเครื่องมือและตลับแบตเตอรี่ให้แน่นในระหว่างการติดตั้งหรือการถอดตลับแบตเตอรี่ หากไม่ถือเครื่องมือและตลับแบตเตอรี่ให้แน่น อาจทำให้ตลับแบตเตอรี่และเครื่องมือลื่นหลุดมือ และทำให้เครื่องมือและตลับแบตเตอรี่เสียหายหรือได้รับบาดเจ็บได้

- ▶ **หมายเลข 1:** 1. ไฟแสดงสถานะสีแดง 2. ปุ่ม 3. ตลับแบตเตอรี่

เมื่อต้องการถอดตลับแบตเตอรี่ ให้เลื่อนปุ่มที่ด้านหน้าของตลับแล้วดึงออกจากเครื่องมือ

เมื่อต้องการติดตั้งตลับแบตเตอรี่ ให้จัดแนวสันบนตลับแบตเตอรี่ให้ตรงกับร่องบนตัวเครื่องมือ แล้วเลื่อนตลับแบตเตอรี่เข้าที่ ติดตั้งตลับแบตเตอรี่เข้าจนสุดจนกระทั่งได้ยินเสียงคลิกล๊อคเข้าที่ หากยังเห็นส่วนสีแดงที่ด้านบนของปุ่ม แสดงว่าตลับแบตเตอรี่ยังไม่ล๊อคเข้าที่

⚠ ข้อควรระวัง: ให้หันตลับแบตเตอรี่เข้าจนสุดจนไม่เห็นส่วนสีแดงอีก ไม่เช่นนั้น ตลับแบตเตอรี่อาจหลุดออกจากเครื่องมือทำให้คุณหรือคนรอบข้างได้รับบาดเจ็บ

⚠ ข้อควรระวัง: อย่าฝืนติดตั้งตลับแบตเตอรี่โดยใช้แรงมากเกินไป หากตลับแบตเตอรี่ไม่เลื่อนเข้าไปโดยง่าย แสดงว่าใส่ไม่ถูกต้อง

การระบุระดับพลังงานแบตเตอรี่ที่เหลืออยู่

สำหรับตลับแบตเตอรี่ที่มีตัวแสดงสถานะเท่านั้น

- ▶ **หมายเลข 2:** 1. ไฟแสดงสถานะ 2. ปุ่มตรวจสอบ

กดปุ่ม ตรวจสอบ บนตลับแบตเตอรี่เพื่อดูปริมาณแบตเตอรี่ที่เหลือ ไฟแสดงสถานะจะสว่างขึ้นเป็นเวลาสองสามวินาที

| ไฟแสดงสถานะ | | | แบตเตอรี่ที่เหลือ |
|-------------|---------|---------|--------------------|
| ไฟสว่าง | ดับ | กะพริบ | |
| ■ ■ ■ ■ | ■ ■ ■ ■ | ■ ■ ■ ■ | 75% ถึง 100% |
| ■ ■ ■ ■ | ■ ■ ■ ■ | □ □ □ □ | 50% ถึง 75% |
| ■ ■ ■ ■ | □ □ □ □ | □ □ □ □ | 25% ถึง 50% |
| ■ ■ ■ ■ | □ □ □ □ | □ □ □ □ | 0% ถึง 25% |
| ■ ■ ■ ■ | □ □ □ □ | □ □ □ □ | ชาร์จไฟแบตเตอรี่ |
| ■ ■ ■ ■ | □ □ □ □ | □ □ □ □ | แบตเตอรี่อาจจะเสีย |

หมายเหตุ: ขึ้นอยู่กับสภาพการใช้งานและอุณหภูมิ โดยรอบ การแสดงสถานะอาจจะแตกต่างจากปริมาณแบตเตอรี่จริงเล็กน้อย

ระบบป้องกันเครื่องมือ/แบตเตอรี่

เครื่องมือมีระบบป้องกันเครื่องมือ/แบตเตอรี่ ระบบนี้จะตัดไฟที่ส่งไปยังมอเตอร์โดยอัตโนมัติเพื่อยืดอายุการใช้งานเครื่องมือและแบตเตอรี่ เครื่องมือจะหยุดทำงานระหว่างการใช้งานโดยอัตโนมัติ หากเครื่องมือหรือแบตเตอรี่อยู่ภายใต้สถานการณ์ต่อไปนี้

การป้องกันโอเวอร์โหลด

เมื่อแบตเตอรี่ทำงานในรูปแบบที่อาจดึงพลังงานไฟฟ้าสูงเกินไป เครื่องมือจะหยุดโดยอัตโนมัติโดยไม่มีการแจ้งเตือนใดๆ ในกรณีนี้ ให้ปิดเครื่องมือและหยุดการใช้งานในลักษณะที่อาจทำให้เครื่องมือทำงานหนักเกินไป แล้วเปิดเครื่องมือเพื่อเริ่มทำงานอีกครั้ง

การป้องกันความร้อนสูงเกิน

เมื่อเครื่องมือหรือแบตเตอรี่ร้อนเกินไป เครื่องมือจะหยุดโดยอัตโนมัติ ในกรณีนี้ ปล่อยให้เครื่องมือและแบตเตอรี่เย็นลงก่อนที่จะเปิดเครื่องมืออีกครั้ง

หมายเหตุ: เมื่อเครื่องมือร้อนเกินไป ไฟจะกะพริบ

การป้องกันไฟหมด

เมื่อแบตเตอรี่มีระดับพลังงานไม่เพียงพอ เครื่องมือจะหยุดโดยอัตโนมัติ ในกรณีนี้ ให้ถอดแบตเตอรี่ออกจากเครื่องมือและนำแบตเตอรี่ไปชาร์จไฟ

การทำงานของสวิตช์

▲ คำเตือน: ก่อนใส่กลับแบตเตอรี่ลงในเครื่องมือ ให้ตรวจสอบว่าสวิตช์สั่งงานสามารถทำงานได้อย่างถูกต้องและกลับไปยังตำแหน่ง "ปิด" เมื่อปล่อย

► **หมายเลข 3:** 1. สวิตช์สั่งงาน

เมื่อต้องการเปิดใช้เครื่องมือ ให้ดึงสวิตช์สั่งงาน ความเร็วเครื่องมือจะเพิ่มขึ้นเมื่อออกแรงกดที่สวิตช์สั่งงาน ปล่อยให้สวิตช์สั่งงานเพื่อหยุดทำงาน

การเปลี่ยนความเร็ว

อัตราการหมุนและเจาะกระแทกต่อหน้าที่สามารถปรับได้โดยการหมุนแป้นปรับ เป็นปรับจะมีระดับ 1 (ความเร็วต่ำสุด) ถึง 5 (ความเร็วสูงสุด)

► **หมายเลข 4:** 1. แป้นปรับ

โปรดดูความสัมพันธ์ระหว่างหมายเลขบนแป้นปรับกับอัตราการหมุนและการเจาะกระแทกต่อหน้าที่ในตารางด้านล่าง

| หมายเลข | อัตราการหมุนต่อ นาที | อัตราการเจาะกระแทกต่อ นาที |
|---------|----------------------|----------------------------|
| 5 | 980 | 5,000 |
| 4 | 810 | 4,130 |
| 3 | 640 | 3,260 |
| 2 | 470 | 2,400 |
| 1 | 300 | 1,550 |

▲ ข้อควรระวัง: อย่าหมุนแป้นปรับขณะที่เครื่องมือกำลังทำงาน มิฉะนั้นอาจทำให้ไม่สามารถควบคุมเครื่องมือและได้รับบาดเจ็บสาหัสได้

ข้อสังเกต: หากเครื่องมือถูกใช้งานอย่างต่อเนื่องด้วยความเร็วต่ำเป็นเวลานาน มอเตอร์จะทำงานหนักเกินไปซึ่งทำให้เครื่องมือทำงานผิดปกติได้

ข้อสังเกต: สามารถหมุนแป้นปรับความเร็วได้สูงสุดที่หมายเลข 5 และหมุนกลับจนสุดที่หมายเลข 1 อย่างฉับพลัน หมายเลข 5 หรือ 1 ไม่เช่นนั้นฟังก์ชันการปรับความเร็วอาจไม่สามารถใช้งานได้ต่อไป

หมายเหตุ: ฟังก์ชันการหมุนเปล่ารอบเบา (สำหรับ DHR282/DHR283)

เมื่อตั้งแป้นปรับความเร็วไว้ที่ "3" หรือมากกว่า เครื่องมือจะลดความเร็วลงที่ความเร็วหมุนเปล่าโดยอัตโนมัติ เพื่อลดการสั่นสะเทือนภายใต้ความเร็วหมุนเปล่า หลังจากที่เราเจาะดอกสว่านเข้ากับคอนกรีต อัตราการเจาะจะกระแทกต่อหน้าที่จะเพิ่มขึ้นและเป็นไปตามตัวเลขที่แสดงในตาราง เมื่ออุณหภูมิต่ำและจาระบีความหนืดน้อยลง เครื่องมืออาจจะไม่ทำงานตามฟังก์ชันนี้แม้ว่ามอเตอร์จะหมุนอยู่ก็ตาม

ฟังก์ชันนี้จะไม่สามารถใช้ได้เมื่อมีการติดตั้งระบบดักฝุ่น

การเปิดดวงไฟด้านหน้า

► **หมายเลข 5:** 1. ดวงไฟ

▲ ข้อควรระวัง: อย่ามองเข้าไปในดวงไฟหรือจ้องดูแหล่งกำเนิดแสงโดยตรง

ดึงสวิตช์สั่งงานเพื่อเปิดไฟ ดวงไฟจะดับลงเมื่อปล่อยสวิตช์สั่งงาน ดวงไฟจะดับลงภายในเวลาประมาณ 10 วินาทีหลังจากปล่อยสวิตช์สั่งงาน

▲ ข้อควรระวัง: สำหรับ DHR282/DHR283

หากดวงไฟดับหลังกะพริบ 2-3 วินาที เทคโนโลยีป้องกันการป้อนกลับอัตโนมัติ หรือฟังก์ชันการหมุนรอบเดินเปล่า จะไม่ทำงานอย่างเหมาะสม สอบถามศูนย์บริการของ Makita ในประเทศของคุณเพื่อรับการซ่อม

หมายเหตุ: ใช้ผ้าแห้งเพื่อเช็ดสิ่งสกปรกออกจากเลนส์ของดวงไฟ ระวังอย่าขีดข่วนเลนส์ของดวงไฟ ไม่เช่นนั้น อาจทำให้ส่องสว่างได้น้อยลง

หมายเหตุ: หากติดตั้งระบบดักฝุ่นบนเครื่องมือ ไฟของระบบดักฝุ่นจะสว่างขึ้นแทนที่ไฟของเครื่องมือ

การใช้งานสวิตช์เปลี่ยนทิศทาง

▶ **หมายเลข 6:** 1. ก้านสวิตช์เปลี่ยนทิศทาง

⚠ ข้อควรระวัง: ตรวจสอบทิศทางการหมุนก่อนการใช้งานเสมอ

⚠ ข้อควรระวัง: ใช้สวิตช์เปลี่ยนทิศทางหลังจากเครื่องมือหยุดสนิทแล้วเท่านั้น การเปลี่ยนทิศทางการหมุนก่อนเครื่องมือหยุดสนิทอาจทำให้เครื่องมือเสียหายได้

⚠ ข้อควรระวัง: เมื่อไม่ได้ใช้งานเครื่องมือ ให้เลื่อนก้านสวิตช์เปลี่ยนทิศทางไปที่ตำแหน่งปกติเสมอ

เครื่องมือนี้ไม่มีสวิตช์เปลี่ยนทิศทาง เพื่อใช้เปลี่ยนทิศทางการหมุน ดันก้านสวิตช์เปลี่ยนทิศทางจากด้าน A เพื่อให้หมุนตามเข็มนาฬิกา หรือจากด้าน B เพื่อให้หมุนทวนเข็มนาฬิกา

เมื่อก้านสวิตช์เปลี่ยนทิศทางอยู่ในตำแหน่งปกติ สวิตช์สั่งงานจะไม่สามารถดึงได้

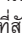

การเปลี่ยนหัวจับถอดเปลี่ยนเร็วสำหรับ SDS-พลัส

สำหรับ DHR281/DHR283

หัวจับถอดเปลี่ยนเร็วสำหรับ SDS-พลัสสามารถสลับเปลี่ยนได้ง่ายเพื่อให้เปลี่ยนหัวจับดอกสว่านได้อย่างรวดเร็ว




การถอดหัวจับถอดเปลี่ยนเร็วสำหรับ SDS-พลัส

⚠ ข้อควรระวัง: ก่อนถอดหัวจับเปลี่ยนเร็วสำหรับ SDS-พลัส ตรวจสอบให้แน่ใจว่าได้ถอดส่วนดอกสว่านออกแล้ว

จับปลายเปลี่ยนของหัวจับถอดเปลี่ยนเร็วสำหรับ SDS-พลัสแล้วหมุนในทิศทางตามลูกศรจนเส้นฝาครอบเปลี่ยนเลื่อนจากสัญลักษณ์  ไปที่สัญลักษณ์  ใช้แรงดึงไปตามทิศทางของลูกศร

▶ **หมายเลข 7:** 1. หัวจับถอดเปลี่ยนเร็วสำหรับ SDS-พลัส 2. ฝาครอบเปลี่ยน 3. เส้นฝาครอบเปลี่ยน

การติดตั้งหัวจับดอกสว่านถอดเปลี่ยนเร็ว

ตรวจสอบเส้นของหัวจับดอกสว่านถอดเปลี่ยนเร็วว่าแสดงสัญลักษณ์  จับฝาครอบเปลี่ยนของหัวจับดอกสว่านถอดเปลี่ยนเร็วแล้วดึงเส้นไปที่สัญลักษณ์  วางหัวจับดอกสว่านถอดเปลี่ยนเร็วลงบนแกนหมุนของเครื่องมือ จับฝาครอบเปลี่ยนของหัวจับดอกสว่านถอดเปลี่ยนเร็วแล้วหมุนเส้นฝาครอบเปลี่ยนไปที่สัญลักษณ์  จนได้ยินเสียงคลิกดังชัดเจน

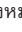
▶ **หมายเลข 8:** 1. หัวจับดอกสว่านถอดเปลี่ยนเร็ว 2. แกนหมุน 3. เส้นฝาครอบเปลี่ยน 4. ฝาครอบเปลี่ยน

การเลือกโหมดการทำงาน

ข้อสังเกต: อย่าหมุนปุ่มหมุนเปลี่ยนโหมดการทำงานในขณะที่เครื่องมือทำงาน เครื่องมือจะเสียหายได้

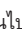
ข้อสังเกต: เพื่อหลีกเลี่ยงการสึกหรออย่างรวดเร็วของกลไกการเปลี่ยนโหมดการทำงาน ให้แน่ใจว่าปุ่มหมุนเปลี่ยนโหมดนั้นอยู่ตรงกับตำแหน่งใดตำแหน่งหนึ่งจากสามตำแหน่งอย่างแน่นอน

การหมุนพร้อมกระแทก

สำหรับการเจาะคอนกรีต อิฐปูน ฯลฯ ให้หมุนปุ่มหมุนเลือกโหมดการทำงานไปยังเครื่องหมาย  ใช้ดอกสว่านหัวทังสเตนคาร์ไบด์ (อุปกรณ์เสริม)


▶ **หมายเลข 9:** 1. การหมุนพร้อมกระแทก 2. ปุ่มหมุนเปลี่ยนโหมดการทำงาน

การหมุนอย่างเดียว

สำหรับการเจาะไม้ เหล็ก หรือวัสดุพลาสติก ให้หมุนปุ่มหมุนเปลี่ยนโหมดการทำงานไปที่เครื่องหมาย  ใช้ดอกสว่านเกลียวหรือดอกสว่านเกลียวเจาะไม้

▶ **หมายเลข 10:** 1. การหมุนอย่างเดียว

การกระแทกอย่างเดียว

สำหรับการสกัด กะเทาะ กระแทก ให้หมุนปุ่มหมุนเปลี่ยนโหมดการทำงานไปที่เครื่องหมาย  ใช้ดอกสว่านปากแหลม ดอกสว่านปากแบน ดอกสว่านแบนใหญ่ ฯลฯ

▶ **หมายเลข 11:** 1. การกระแทกอย่างเดียว

ขอเกี่ยว

⚠️ ข้อควรระวัง: อย่าแขวนเครื่องมือที่ตำแหน่งสูงหรือบนพื้นผิวที่อาจไม่มั่นคง

▶ **หมายเลข 12:** 1. ขอเกี่ยว

ขอเกี่ยวให้ความสะดวกสำหรับการแขวนเครื่องมือไว้ชั่วคราว

เมื่อต้องการใช้ขอเกี่ยว ให้ยกขอเกี่ยวขึ้นจนกระทั่งเข้าไปในตำแหน่งเปิด เมื่อไม่ใช้งาน ให้ลดขอเกี่ยวลงจนกระทั่งเข้าไปในตำแหน่งปิด

การปรับตำแหน่งหัวของระบบดักฝุ่น

อุปกรณ์เสริม

ใส่ร่องนำลงไปบนขณะที่ดันปุ่มปรับร่อนำขึ้นด้วย จากนั้น ปล่อยให้ปุ่มตามตำแหน่งที่ต้องการ

▶ **หมายเลข 13:** 1. ร่องนำ 2. ปุ่มปรับร่อนำ

หมายเหตุ: ก่อนทำการปรับตำแหน่งหัวส่วน ให้ปล่อยหัวส่วนไปข้างหน้าจนสุดโดยดันปุ่มปรับร่อนำขึ้น

หากติดตั้งดอกสว่านแบบยาว ให้ยึดร่อนำออกโดยการดันปุ่มยึดขึ้น

▶ **หมายเลข 14:** 1. ปุ่มยึด

การปรับความลึกการเจาะของระบบดักฝุ่น

อุปกรณ์เสริม

เลื่อนปุ่มปรับความลึกไปยังตำแหน่งที่ต้องการในขณะที่ดันปุ่มขึ้นไว้ด้วย ระยะ (A) คือความลึกการเจาะ

▶ **หมายเลข 15:** 1. ปุ่มปรับความลึก

ตัวจำกัดแรงบิด

ข้อสังเกต: เมื่อตัวจำกัดรอบทำงาน ให้ปิดสวิตช์เครื่องมือทันที ทั้งนี้เพื่อช่วยป้องกันการสึกหรอก่อนกำหนดของเครื่องมือ

ข้อสังเกต: ดอกสว่าน เช่น เลื่อยเจาะรู มักขบหรือติดกับรูได้ง่าย และไม่เหมาะสำหรับเครื่องมือนี้ เนื่องจากจะทำให้ตัวจำกัดรอบทำงานบ่อยเกินไป

ตัวจำกัดแรงบิดจะทำงานเมื่อแรงบิดขึ้นไปถึงระดับหนึ่ง มอเตอร์จะผลออกจากเพลาส่งกำลัง เมื่อเป็นเช่นนั้น ดอกสว่านจะหยุดหมุน

ระบบไฟฟ้า

อุปกรณ์ถูกติดตั้งด้วยระบบไฟฟ้าเพื่อให้ใช้งานได้ง่าย

- ระบบควบคุมความเร็วคงที่ระบบควบคุมความเร็วช่วยให้ระบบควบคุมความเร็วคงที่ได้ไม่ว่าจะอยู่ในสภาวะการทำงานใดๆ
- เทคโนโลยีป้องกันการป้อนกลับอัตโนมัติ (สำหรับ DHR282/DHR283)
หากเครื่องมือสายที่ความเร่งที่กำหนดในระหว่างการใช้งาน มอเตอร์จะถูกบังคับให้หยุดเพื่อลดภาระของข้อมือ

หมายเหตุ: ฟังก์ชันนี้จะไม่ทำงานหากความเร่งไม่ถึงความเร่งที่กำหนดไว้เมื่อเครื่องมือสาย

หมายเหตุ: หากดอกสว่านสายที่ความเร่งที่กำหนดในระหว่างการสกัด การเจาะ หรือการเจาะทำลาย มอเตอร์จะถูกบังคับให้หยุด ในกรณีนี้ให้ปล่อยสวิตช์สั่งงาน จากนั้นกดสวิตช์สั่งงานเพื่อสตาร์ทเครื่องมืออีกครั้ง

การประกอบ

⚠️ ข้อควรระวัง: ตรวจสอบให้แน่ใจว่าได้ปิดสวิตช์เครื่องมือและถอดปลั๊กแบตเตอรี่ออกก่อนดำเนินการใดๆ กับเครื่องมือ

ด้ามจับด้านข้าง (มือจับเสริม)

⚠️ ข้อควรระวัง: ใช้ด้ามจับด้านข้างเสมอ เพื่อความปลอดภัยในการใช้งาน

⚠️ ข้อควรระวัง: หลังจากติดตั้งหรือปรับด้ามจับด้านข้าง ตรวจสอบให้แน่ใจว่าด้ามจับด้านข้างได้ยึดไว้อย่างแน่นหนา

เมื่อต้องการติดตั้งด้ามจับด้านข้าง ให้ทำตามขั้นตอนด้านล่างดังต่อไปนี้

1. คลายสกรูมือหมุนบนด้ามจับด้านข้าง
▶ **หมายเลข 16:** 1. สกรูมือหมุน
2. ติดตั้งด้ามจับด้านข้าง โดยกดสกรูมือหมุนไว้เพื่อให้ร่องบนด้ามจับอยู่ในส่วนที่ยื่นออกมาของเครื่องมือ
▶ **หมายเลข 17:** 1. สกรูมือหมุน
3. ขันสกรูมือหมุนเพื่อยึดด้ามจับ ด้ามจับสามารถยึดเข้ามุมได้ตามต้องการ

จาระบี

เคลือบปลายก้านดอกส่วนก่อนด้วยจาระบีจำนวนเล็กน้อย (ประมาณ 0.5 - 1 กรัม)
การหล่อลื่นหัวจับนี้ช่วยให้มั่นใจถึงการทำงานที่ราบเรียบ และอายุการใช้งานที่ยาวนานขึ้น

การติดตั้งหรือถอดดอกสว่าน

ทำความสะอาดปลายก้านดอกสว่าน และทาจาระบีก่อนติดตั้งดอกสว่าน

▶ **หมายเลข 18:** 1. ปลายก้าน 2. จาระบี

ใส่ดอกสว่านลงในเครื่องมือ หมุนดอกสว่านแล้วดันลงไปจนกว่าจะเข้าที่
หลังจากใส่แล้ว ให้ตรวจสอบให้แน่ใจทุกครั้งว่าดอกสว่านถูกยึดอยู่ในตำแหน่งอย่างมั่นคงด้วยการลองพยายามดึงดอกสว่านออก

▶ **หมายเลข 19:** 1. ดอกสว่าน

เมื่อต้องการถอดดอกสว่าน ให้ดึงฝาครอบหัวจับลงจนสุด และดึงดอกสว่านออก

▶ **หมายเลข 20:** 1. ดอกสว่าน 2. ฝาครอบหัวจับ

มุมดอกสว่าน (เมื่อทำการสกัด กะเทาะ หรือ กระแทก)

ดอกสว่านสามารถปรับมุมได้ตามต้องการ เมื่อต้องการเปลี่ยนมุมดอกสว่าน ให้หมุนปุ่มหมุนเปลี่ยนโหมดการทำงานไปที่เครื่องหมาย O หมุนดอกสว่านไปยังมุมที่ต้องการ

▶ **หมายเลข 21:** 1. ปุ่มหมุนเปลี่ยนโหมดการทำงาน

หมุนปุ่มหมุนเปลี่ยนโหมดการทำงานไปที่เครื่องหมาย T จากนั้นตรวจสอบให้แน่ใจว่าดอกสว่านนั้นถูกยึดเข้าที่อย่างแน่นหนาด้วยการหมุนเบาๆ

เกจวัดความลึก

เกจวัดความลึกทำให้สะดวกในการเจาะรูที่มีความลึกเท่ากัน กดปุ่มล๊อคค้างไว้ จากนั้นใส่เกจวัดความลึกเข้าไปในรูหกเหลี่ยม ตรวจสอบให้แน่ใจว่าด้านที่มีร่องของเกจวัดความลึกหันไปตรงกับเครื่องหมาย

▶ **หมายเลข 22:** 1. เกจวัดความลึก 2. ปุ่มล๊อค
3. เครื่องหมาย 4. ด้านที่มีร่อง

ปรับเกจวัดความลึกโดยการเลื่อนไปมาในขณะที่กดปุ่มล๊อคเอาไว้ หลังจากการปรับแล้ว ให้ปล่อยปุ่มล๊อคเพื่อล๊อคเกจวัดความลึก

หมายเหตุ: ตรวจสอบให้แน่ใจว่าเกจวัดความลึกไม่สัมผัสกับตัวเครื่องหลักขณะติดตั้ง

การติดตั้งหรือถอดระบบดักฝุ่น

อุปกรณ์เสริม

การติดตั้งระบบดักฝุ่น ให้สอดเครื่องมือเข้าไปในระบบดักฝุ่นจนกระทั่งเครื่องมือล๊อคเข้าที่และได้ยินเสียงคลิกสองครั้ง

▶ **หมายเลข 23**

และเมื่อต้องการถอดระบบดักฝุ่น ให้ดึงเครื่องมือในขณะที่ยกปุ่มปลดล๊อคไว้

▶ **หมายเลข 24:** 1. ปุ่มปลดล๊อค

ถ้วยดักฝุ่น

อุปกรณ์เสริม

ใช้ถ้วยดักฝุ่นเพื่อป้องกันไม่ให้ฝุ่นร่วงหล่นลงบนเครื่องมือและบนตัวคุณเมื่อทำงานเจาะเหนือศีรษะ ติดถ้วยดักฝุ่นเข้ากับดอกสว่านตามที่แสดงในภาพ ขนาดของดอกสว่านที่ถ้วยดักฝุ่นจะสามารถติดตั้งได้ด้วยได้มีดังนี้

| รุ่น | เส้นผ่านศูนย์กลางดอกสว่าน |
|---------------|---------------------------|
| ถ้วยดักฝุ่น 5 | 6 mm - 14.5 mm |
| ถ้วยดักฝุ่น 9 | 12 mm - 16 mm |

▶ **หมายเลข 25:** 1. ถ้วยดักฝุ่น

ชุดถ้วยดักฝุ่น

อุปกรณ์เสริม

ก่อนการติดตั้งชุดถ้วยดักฝุ่น ให้ถอดดอกสว่านออกจากเครื่องมือ ถ้ามีการใส่อยู่ในเครื่องมือ ติดตั้งชุดถ้วยดักฝุ่นเข้ากับเครื่องมือ โดยจัดตำแหน่งให้สัญลักษณ์ Δ บนถ้วยดักฝุ่นตรงกับร่องของเครื่องมือ

▶ **หมายเลข 26:** 1. สัญลักษณ์ Δ 2. ร่อง

หมายเหตุ: หากคุณต่อเครื่องดูดฝุ่นเข้ากับชุดถ้วยดักฝุ่น ให้ถอดฝาปิดดักฝุ่นก่อนที่จะมีการเชื่อมต่อ

▶ **หมายเลข 27:** 1. ฝาปิดดักฝุ่น

การถอดชุดถ้วยดักฝุ่นออก ให้ถอดดอกสว่านออกในขณะที่ดึงหัวจับไว้ในทิศทางตามลูกศร

▶ **หมายเลข 28:** 1. ดอกสว่าน 2. ฝาครอบหัวจับ

จับที่ก้นของถ้วยดักฝุ่นและดึงออก

▶ **หมายเลข 29**

หมายเหตุ: หากฝาปิดหลุดออกจากถ้วยดักฝุ่น ให้ติดตั้งฝาปิดเข้ากับด้านที่มีร่องซึ่งหันขึ้น โดยให้ร่องของฝาปิดยึดเข้าในเส้นรอบวงภายในของอุปกรณ์ยึดติด

▶ **หมายเลข 30**

การใช้งาน

⚠ ข้อควรระวัง: ใช้ตามจับด้านข้าง (มือจับเสริม) เสมอ และจับเครื่องมือให้แน่นด้วยตามจับด้านข้างและมือจับ สวิตซ์ในระหว่างการใช้งาน

⚠ ข้อควรระวัง: ตรวจสอบให้แน่ใจทุกครั้งว่าชิ้นงานถูก ยึดไว้ดีแล้วก่อนการใช้งาน

⚠ ข้อควรระวัง: อย่าฝืนดึงเครื่องมือแม้ว่าดอกสว่าน จะติดอยู่กับ การสูญเสียความควบคุมอาจทำให้ได้รับ บาดเจ็บได้

⚠ ข้อควรระวัง: ระบบดักจับฝุ่นใช้สำหรับการเจาะ คอนกรีตเท่านั้น อย่าใช้ระบบดักฝุ่นสำหรับการเจาะโลหะ หรือไม้

⚠ ข้อควรระวัง: เมื่อใช้เครื่องมือที่ติดตั้งระบบดักฝุ่น ให้ใส่ ตัวกรองที่ระบบดักฝุ่นเพื่อป้องกันการสูดดมฝุ่นเข้าไปด้วย

⚠ ข้อควรระวัง: เมื่อจะใช้ระบบดักฝุ่น โปรดตรวจสอบ ดูก่อนว่าตัวกรองไม่ชำรุด ไม่เช่นนั้น คุณอาจสูดดมฝุ่น เข้าไปได้

⚠ ข้อควรระวัง: ระบบดักฝุ่นจะดักฝุ่นที่เกิดขึ้นใน ปริมาณมาก แต่ไม่สามารถดักฝุ่นทั้งหมดได้

ข้อสังเกต: อย่าใช้ระบบดักฝุ่นสำหรับการเจาะแกนหรือ การสกัด

ข้อสังเกต: อย่าใช้ระบบดักฝุ่นสำหรับการเจาะคอนกรีต ที่เป็ยกชั้นหรือใช้ระบบนี้ในสภาพแวดล้อมที่เป็ยกชั้น ไม่เช่นนั้นอาจทำให้เครื่องมือทำงานผิดปกติได้

หมายเหตุ: หากดัลับแบตเตอรี่อยู่ในที่ที่มีอุณหภูมิต่ำ เครื่องมืออาจทำงานได้ไม่เต็มที่ ในกรณีนี้ ให้อุ่นดัลับ แบตเตอรี่โดยการใช้งานเครื่องมือหมุนเปล่าสักครู่เพื่อให้ เครื่องมือทำงานได้อย่างเต็มที่

▶ หมายเลข 31

การใช้งานการเจาะกระแทก

⚠ ข้อควรระวัง: จะเกิดแรงบิดบนเครื่องมือ/ดอกสว่าน อย่างมหาศาลทันทีเมื่อเจาะรูจนทะลุ เมื่อมีเศษวัสดุอุด ดันที่รู หรือเมื่อปะทะกับเหล็กเสริมในคอนกรีต ใช้ตาม จับด้านข้าง (มือจับเสริม) เสมอ และจับเครื่องมือให้แน่น ด้วยตามจับด้านข้างและมือจับสวิตซ์ในระหว่างการใช้งาน การไม่ปฏิบัติตามขั้นตอนดังกล่าวอาจทำให้ไม่สามารถ ควบคุมเครื่องมือและได้รับบาดเจ็บรุนแรง

เลื่อนปุ่มหมุนเปลี่ยนโหมดการทำงานไปที่เครื่องหมาย TII จัดแนวดอกสว่านในตำแหน่งที่ต้องการเจาะรู จากนั้นดึง สวิตซ์สั่งงาน อย่าฝืนใช้เครื่องมือ การใช้แรงกดเบาๆ จะให้ ผลดีที่สุด จับเครื่องมือให้อยู่ในตำแหน่งและป้องกันไม่ให้ เครื่องมือลื่นหลุดออกมาจากรูที่เจาะ

ห้ามใช้แรงกดมากขึ้นเมื่อมีเศษโลหะหรือวัสดุอุดตันที่รู ให้ ใช้งานเครื่องมือที่รอบเดินเบาแทน จากนั้นดึงดอกสว่าน บางส่วนออกมาจากรู การทำแบบนี้ซ้ำหลายๆ ครั้งจะทำให้รู สะอาด และสามารถทำการเจาะได้ตามปกติ

หมายเหตุ: การเยื้องศูนย์ในการหมุนดอกสว่านอาจเกิด ขึ้นในระหว่างทำงานโดยไม่มีภาระการทำงาน เครื่องมือ จะตั้งศูนย์ให้เองในระหว่างการทำงาน ซึ่งจะไม่มีผลกระทบต่อ ความแม่นยำในการเจาะ

การสกัด/กะเทาะ/กระแทก

เลื่อนปุ่มหมุนเปลี่ยนโหมดการทำงานไปที่เครื่องหมาย II จับเครื่องมือให้มั่นทั้งสองมือ เปิดใช้งานเครื่องมือและใช้แรง กดบนเครื่องมือเล็กน้อยเพื่อให้เครื่องมือไม่ติดกลับจนไม่ สามารถควบคุมได้

การกดเครื่องมืออย่างแรงไม่ได้เป็นการเพิ่มประสิทธิภาพ ของเครื่องมือ

▶ หมายเลข 32

การเจาะไม้หรือโลหะ

⚠ ข้อควรระวัง: จับเครื่องมือให้แน่น และระมัดระวังเมื่อ ดอกสว่านเริ่มเจาะทะลุชิ้นงาน จะมีแรงกดบนเครื่องมือ/ ดอกสว่านอย่างมากขณะเจาะรู

⚠ ข้อควรระวัง: ดอกสว่านที่ติดอยู่ที่ชิ้นงานสามารถนำ ออกมาได้ง่ายโดยการเลื่อนสวิตซ์เปลี่ยนทิศทางให้ดอก สว่านหมุนย้อนกลับ อย่างไรก็ตาม เครื่องมืออาจจะถอย ออกทันทีโดยที่คุณไม่ทันตั้งตัว คุณจึงควรจับเครื่องมือ ไว้ให้แน่น

⚠ ข้อควรระวัง: ยึดชิ้นงานด้วยปากกาจับงาน หรือ อุปกรณ์จับยึดที่คล้ายคลึงกันเสมอ

ข้อสังเกต: ห้ามใช้โหมด “หมุนพร้อมกระแทก” เมื่อติด ตั้งหัวจับไว้กับเครื่องมือ หัวจับดอกสว่านอาจเสียหาย และหัวจับดอกสว่านจะหลุดเมื่อใช้งานเครื่องมือในอีก ทิศทางหนึ่ง

ข้อสังเกต: การออกแรงกดบนเครื่องมือไม่ช่วยให้การ เจาะเร็วขึ้น ตามข้อเท็จจริงแล้ว แรงกดที่มากเกินไปจะ ทำให้ปลายดอกสว่านเสียหาย ลดประสิทธิภาพและอายุ การใช้งานของเครื่องมือ

ตั้งปุ่มเปลี่ยนโหมดการทำงานไปที่สัญลักษณ์ **II**

สำหรับ DHR280/DHR282

อุปกรณ์เสริม

ใส่ตัวแปลงหัวจับดอกสว่านแบบไม่มีกมูแจ ซึ่งสามารถติดตั้งสกรูขนาด 1/2"-20 ได้ จากนั้นติดตั้งเข้ากับเครื่องมือ เมื่อทำการติดตั้ง โปรดดูส่วน "การติดตั้งหรือถอดดอกสว่าน"

- **หมายเลข 33:** 1. หัวจับดอกสว่านแบบไม่มีกมูแจ
2. ตัวแปลงหัวจับ

สำหรับ DHR281/DHR283

ใช้หัวจับดอกสว่านถอดเปลี่ยนเร็วเป็นอุปกรณ์มาตรฐาน เมื่อทำการติดตั้ง โปรดดู "การเปลี่ยนหัวจับถอดเปลี่ยนเร็วสำหรับ SDS-พลัส"

จับแหวนและหมุนปลอกทวนเข็มนาฬิกาเพื่อเปิดฟันของหัวจับ ใส่ดอกสว่านลงไปให้แน่น ยึดแหวนไว้ให้แน่น และหมุนปลอกตามเข็มนาฬิกาเพื่อขันแน่นหัวจับ

- **หมายเลข 34:** 1. ปลอก 2. แหวน

การถอดดอกสว่านออก ให้จับแหวนและหมุนปลอกทวนเข็มนาฬิกา

การเจาะด้วยดอกสว่านแกนเพชร

ข้อสังเกต: หากทำการเจาะด้วยดอกสว่านแกนเพชรโดยใช้การทำงานแบบ "การหมุนพร้อมกระแทก" ดอกสว่านแกนเพชรอาจเสียหายได้

เมื่อทำการเจาะด้วยดอกสว่านแกนเพชร ให้ตั้งก้านเปลี่ยนไปที่ตำแหน่ง **II** เพื่อใช้การทำงานแบบ "การหมุนอย่างเดียว"

การปิดฝุ่นบนตัวกรอง

อุปกรณ์เสริม

▲ **ข้อควรระวัง:** อย่าหมุนแป้นบนกล่องเก็บฝุ่นในขณะที่นำกล่องเก็บฝุ่นออกจากระบบดักฝุ่น การกระทำดังกล่าวอาจทำให้คุณหายใจเอาฝุ่นเข้าไปได้

▲ **ข้อควรระวัง:** ปิดสวิตช์เครื่องมือเสมอในขณะที่เครื่องมือกำลังทำงานอยู่เมื่อทำการหมุนแป้นบนกล่องเก็บฝุ่น การหมุนแป้นในขณะที่เครื่องมือทำงานอยู่อาจส่งผลให้สูญเสียการควบคุมเครื่องมือได้

ปิดฝุ่นที่อยู่บนตัวกรองภายในกล่องเก็บฝุ่นเพื่อให้คุณสามารถรักษาประสิทธิภาพการดูดฝุ่นและลดจำนวนครั้งในการทิ้งฝุ่น

หมุนแป้นบนกล่องเก็บฝุ่นสามครั้งหลังการเก็บฝุ่นทุกๆ 50,000 mm³ หรือเมื่อคุณรู้สึกว่าประสิทธิภาพในการดูดฝุ่นลดลง

หมายเหตุ: ปริมาณฝุ่น 50,000 mm³ เทียบเท่าการเจาะ 10 รู ขนาด \varnothing 10 mm และความลึก 65 mm (14 รู ขนาด \varnothing 3/8" และความลึก 2")

- **หมายเลข 35:** 1. กล่องเก็บฝุ่น 2. แป้น

การนำฝักฝุ่นออกไปทิ้ง

อุปกรณ์เสริม

▲ **ข้อควรระวัง:** ตรวจสอบให้แน่ใจว่าได้ปิดสวิตช์เครื่องมือและถอดปลั๊กแบตเตอรี่ออกก่อนดำเนินการใดๆ กับเครื่องมือ

▲ **ข้อควรระวัง:** โปรดสวมหน้ากากกันฝุ่นเมื่อต้องการนำฝักฝุ่นออกไปทิ้ง

▲ **ข้อควรระวัง:** ทำความสะอาดกล่องเก็บฝุ่นเป็นประจำก่อนที่กล่องเก็บฝุ่นจะเต็ม ไม่เช่นนั้น อาจทำให้ประสิทธิภาพในการดักฝุ่นลดลงและทำให้คุณสูดดมฝุ่นเข้าไปได้

▲ **ข้อควรระวัง:** ประสิทธิภาพในการดักฝุ่นจะลดลงถ้าตัวกรองในกล่องเก็บฝุ่นอุดตัน แนะนำให้เปลี่ยนตัวกรองใหม่หลังจากกรองฝุ่นประมาณ 200 ครั้ง ไม่เช่นนั้น คุณอาจสูดดมฝุ่นเข้าไปได้

1. ถอดกล่องเก็บฝุ่นในขณะที่ก้านของกล่องเก็บฝุ่นลง

- **หมายเลข 36:** 1. ก้าน

2. เปิดฝาปิดของกล่องเก็บฝุ่นขึ้น

- **หมายเลข 37:** 1. ฝาปิด

3. นำฝักฝุ่นออกไปทิ้ง และทำความสะอาดตัวกรอง

- **หมายเลข 38**

ข้อสังเกต: เมื่อทำความสะอาดตัวกรอง อย่าใช้แปรงหรือสิ่งของที่คล้ายกันนี้ทำความสะอาดตัวกรอง หรือเป่าอากาศอัดใส่ตัวกรอง เนื่องจากอาจทำให้ตัวกรองเสียหายได้

กระเปาะยางเป่าลม

อุปกรณ์เสริม

หลังการเจาะรู ใช้กระเปาะยางเป่าลมเพื่อเป่าฝุ่นออกจากรู

▶ หมายเลข 39

การใช้ชุดถ้วยตักฝุ่น

อุปกรณ์เสริม

ติดชุดถ้วยตักฝุ่นไว้กับเพดานเมื่อใช้งานเครื่องมือ

▶ หมายเลข 40

ข้อสังเกต: อย่าใช้ชุดถ้วยตักฝุ่นเมื่อเจาะเหล็กหรือวัสดุที่มีลักษณะเดียวกัน เพราะอาจทำให้ชุดถ้วยตักฝุ่นเสียหาย เนื่องจากความร้อนของเศษเหล็กขนาดเล็กหรือวัสดุที่มีลักษณะเดียวกัน

ข้อสังเกต: อย่าติดตั้งหรือถอดชุดถ้วยตักฝุ่นที่ติดตั้งดอกล้วนเข้าไปบนเครื่องมือ เนื่องจากอาจทำให้ชุดถ้วยตักฝุ่นเสียหาย และทำให้ผงฝุ่นรั่วได้

ฟังก์ชันสั่งงานด้วยสัญญาณไร้สาย

อุปกรณ์เสริมสำหรับ DHR282/DHR283

คุณสามารถทำอะไรกับฟังก์ชันสั่งงานด้วยสัญญาณไร้สายนี้ได้บ้าง

ฟังก์ชันสั่งงานด้วยสัญญาณไร้สายจะทำให้คุณสามารถใช้งานได้อย่างสะดวกสบายและสะอาดเรียบร้อย เมื่อเชื่อมต่อที่ดูดฝุ่นที่รองรับเข้ากับเครื่องมือ คุณจะสามารทำให้ที่ดูดฝุ่นทำงานได้อย่างอัตโนมัติตามการควบคุมด้วยสวิทช์ของเครื่องมือ

▶ หมายเลข 41

การใช้ฟังก์ชันสั่งงานด้วยสัญญาณไร้สาย ให้เตรียมอุปกรณ์ดังต่อไปนี้:

- อุปกรณ์รับส่งสัญญาณไร้สาย (อุปกรณ์เสริม)
 - ที่ดูดฝุ่นที่รองรับฟังก์ชันสั่งงานด้วยสัญญาณไร้สาย
- ต่อไปนี้เป็นคำอธิบายการตั้งค่าฟังก์ชันสั่งงานด้วยสัญญาณไร้สายแบบย่อ ดูการดำเนินการอย่างละเอียดได้ในแต่ละส่วน

1. การติดตั้งอุปกรณ์รับส่งสัญญาณไร้สาย
2. การบันทึกเครื่องมือสำหรับที่ดูดฝุ่น
3. การเริ่มฟังก์ชันสั่งงานด้วยสัญญาณไร้สาย

การติดตั้งอุปกรณ์รับส่งสัญญาณไร้สาย

อุปกรณ์เสริม

⚠ ข้อควรระวัง: วางเครื่องมือบนพื้นผิวที่ราบเรียบและมั่นคงขณะทำการติดตั้งอุปกรณ์รับส่งสัญญาณไร้สาย

ข้อสังเกต: ทำความสะอาดฝุ่นและสิ่งสกปรกที่ติดอยู่บนเครื่องมือก่อนติดตั้งอุปกรณ์รับส่งสัญญาณไร้สาย ฝุ่นและสิ่งสกปรกอาจทำให้เครื่องมือทำงานผิดปกติ หากเข้าไปในช่องเสียบของอุปกรณ์รับส่งสัญญาณไร้สาย

ข้อสังเกต: เพื่อป้องกันการทำงานผิดปกติที่เกิดจากไฟฟ้าสถิต ให้สัมผัสกับวัสดุที่ปล่อยไฟฟ้าสถิต เช่น ส่วนที่เป็นโลหะของเครื่องมือก่อนหยิบอุปกรณ์รับส่งสัญญาณไร้สาย

ข้อสังเกต: เมื่อทำการติดตั้งอุปกรณ์รับส่งสัญญาณไร้สาย ตรวจสอบให้แน่ใจว่าอุปกรณ์รับส่งสัญญาณไร้สายถูกใส่เข้าไปในทิศทางที่ถูกต้องและปิดฝาปิดสนิทแล้ว

1. เปิดฝาปิดบนเครื่องมือดังที่แสดงในภาพ

▶ หมายเลข 42: 1. ฝาปิด

2. ใส่อุปกรณ์รับส่งสัญญาณไร้สายเข้าไปในช่องเสียบ จากนั้นปิดฝาปิด

เมื่อใส่อุปกรณ์รับส่งสัญญาณไร้สายแล้ว ให้จัดตำแหน่งให้ส่วนที่ยื่นออกมาตรงกับส่วนที่ถอยเข้าไปบนช่องเสียบ

- ▶ หมายเลข 43: 1. อุปกรณ์รับส่งสัญญาณไร้สาย
2. ส่วนที่ยื่นออกมา 3. ฝาปิด 4. ส่วนที่ถอยเข้าไป

เมื่อต้องการถอดอุปกรณ์รับส่งสัญญาณไร้สายออก ให้เปิดฝาปิดออกช้าๆ ขอเกี่ยวที่ด้านหลังของฝาปิดจะยกอุปกรณ์รับส่งสัญญาณไร้สายในขณะที่คุณดึงฝาปิดขึ้น

- ▶ หมายเลข 44: 1. อุปกรณ์รับส่งสัญญาณไร้สาย 2. ขอเกี่ยว 3. ฝาปิด

หลังจากถอดอุปกรณ์รับส่งสัญญาณไร้สายออกแล้ว ให้เก็บไว้ในกล่องที่หีมาหรือในภาชนะที่ปลอดภัย

ข้อสังเกต: ใช้ขอเกี่ยวที่ด้านหลังของฝาปิดเมื่อต้องการถอดอุปกรณ์รับส่งสัญญาณไร้สายเสมอ หากขอเกี่ยวไม่เกี่ยวกับอุปกรณ์รับส่งสัญญาณไร้สาย ให้ปิดฝาปิดให้สนิทแล้วเปิดอีกครั้งซ้ำๆ

การบันทึกเครื่องมือสำหรับที่ดูดฝุ่น

หมายเหตุ: ที่ดูดฝุ่นของ Makita ที่รองรับฟังก์ชันสั่งงานด้วยสัญญาณไร้สายจำเป็นต้องมีการบันทึกเครื่องมือ

หมายเหตุ: ติดตั้งอุปกรณ์รับส่งสัญญาณไร้สายเข้ากับเครื่องมือให้เรียบร้อยก่อนเริ่มบันทึกเครื่องมือ

หมายเหตุ: ระหว่างการบันทึกเครื่องมือ อย่าดึงสวิตช์สั่งงานหรือเปิดสวิตช์ไฟบนที่ดูดฝุ่น

หมายเหตุ: โปรดดูคู่มือการใช้งานที่ดูดฝุ่นร่วมด้วย

หากคุณต้องการสั่งงานที่ดูดฝุ่นตามการควบคุมด้วยสวิตช์ของเครื่องมือ ให้บันทึกเครื่องมือให้เสร็จสิ้นก่อน

1. ติดตั้งแบตเตอรี่เข้ากับที่ดูดฝุ่นและเครื่องมือ

2. ตั้งสวิตช์เตรียมพร้อมบนที่ดูดฝุ่นเป็น "AUTO"

▶ **หมายเลข 45:** 1. สวิตช์เตรียมพร้อม

3. กดปุ่มสั่งงานด้วยสัญญาณไร้สายบนที่ดูดฝุ่นค้างไว้ประมาณ 3 วินาที จนกระทั่งดวงไฟแสดงการสั่งงานด้วยสัญญาณไร้สายกะพริบเป็นสีเขียว จากนั้นกดปุ่มสั่งงานด้วยสัญญาณไร้สายบนเครื่องมือในลักษณะเดียวกัน

▶ **หมายเลข 46:** 1. ปุ่มสั่งงานด้วยสัญญาณไร้สาย
2. ดวงไฟแสดงการสั่งงานด้วยสัญญาณไร้สาย

หากที่ดูดฝุ่นและเครื่องมือเชื่อมต่อกันเรียบร้อยแล้ว ดวงไฟแสดงการสั่งงานด้วยสัญญาณไร้สายจะสว่างเป็นสีเขียวเป็นเวลา 2 วินาที และจะเริ่มกะพริบเป็นสีฟ้า

หมายเหตุ: ดวงไฟแสดงการสั่งงานด้วยสัญญาณไร้สายจะกะพริบเป็นสีเขียวหลังผ่านไป 20 วินาที กดปุ่มสั่งงานด้วยสัญญาณไร้สายบนเครื่องมือในขณะที่ดวงไฟแสดงการสั่งงานด้วยสัญญาณไร้สายบนที่ดูดฝุ่นกำลังกะพริบอยู่ หากดวงไฟแสดงการสั่งงานด้วยสัญญาณไร้สายไม่กะพริบเป็นสีเขียว ให้ดันปุ่มสั่งงานด้วยสัญญาณไร้สายสักครู่ และกดลงไปอีกครั้ง

หมายเหตุ: เมื่อต้องการดำเนินการบันทึกเครื่องมือสองเครื่องขึ้นไปสำหรับที่ดูดฝุ่นเครื่องเดียว ให้บันทึกเครื่องมือทีละเครื่อง

การเริ่มฟังก์ชันสั่งงานด้วยสัญญาณไร้สาย

หมายเหตุ: บันทึกเครื่องมือสำหรับที่ดูดฝุ่นให้เสร็จสิ้นก่อนการสั่งงานด้วยสัญญาณไร้สาย

หมายเหตุ: โปรดดูคู่มือการใช้งานที่ดูดฝุ่นร่วมด้วย

หลังจากบันทึกเครื่องมือเข้ากับที่ดูดฝุ่นแล้ว ที่ดูดฝุ่นจะทำงานตามการควบคุมด้วยสวิตช์ของเครื่องมือโดยอัตโนมัติ

1. ติดตั้งอุปกรณ์รับส่งสัญญาณไร้สายเข้ากับเครื่องมือ

2. เชื่อมต่อท่อของที่ดูดฝุ่นเข้ากับเครื่องมือ

▶ **หมายเลข 47**

3. ตั้งสวิตช์เตรียมพร้อมบนที่ดูดฝุ่นเป็น "AUTO"

▶ **หมายเลข 48:** 1. สวิตช์เตรียมพร้อม

4. ดันปุ่มสั่งงานด้วยสัญญาณไร้สายบนเครื่องมือไว้สักครู่ ดวงไฟแสดงการสั่งงานด้วยสัญญาณไร้สายจะกะพริบเป็นสีฟ้า

▶ **หมายเลข 49:** 1. ปุ่มสั่งงานด้วยสัญญาณไร้สาย
2. ดวงไฟแสดงการสั่งงานด้วยสัญญาณไร้สาย

5. ตั้งสวิตช์สั่งงานของเครื่องมือ ตรวจสอบว่าที่ดูดฝุ่นทำงานในขณะที่สวิตช์สั่งงานถูกดึงไว้

การหยุดการสั่งงานด้วยสัญญาณไร้สายของที่ดูดฝุ่นให้ดันปุ่มสั่งงานด้วยสัญญาณไร้สายบนเครื่องมือ

หมายเหตุ: ดวงไฟแสดงการสั่งงานด้วยสัญญาณไร้สายบนเครื่องมือจะหยุดกะพริบเป็นสีฟ้าเมื่อไม่มีการใช้งานเป็นเวลา 2 ชั่วโมง ในกรณีนี้ให้ตั้งสวิตช์เตรียมพร้อมบนที่ดูดฝุ่นไปที่ "AUTO" จากนั้นดันปุ่มสั่งงานด้วยสัญญาณไร้สายบนเครื่องมืออีกครั้ง

หมายเหตุ: ที่ดูดฝุ่นจะเริ่มหยุดทำงานล่าช้าเล็กน้อย ในขณะที่ที่ดูดฝุ่นตรวจจับการควบคุมด้วยสวิตช์ของเครื่องมือจะมีความล่าช้าเกิดขึ้นเล็กน้อย

หมายเหตุ: ระยะเวลาการส่งสัญญาณของอุปกรณ์รับส่งสัญญาณไร้สายอาจแตกต่างกันไปขึ้นอยู่กับสถานที่และสภาวะแวดล้อม

หมายเหตุ: เมื่อมีการบันทึกเครื่องมือสองเครื่องขึ้นไปกับที่ดูดฝุ่นเครื่องเดียว ที่ดูดฝุ่นอาจเริ่มทำงานแม้ว่าคุณจะยังไม่ได้ตั้งสวิตช์สั่งงาน เนื่องจากอาจมีผู้ใช้คนอื่นกำลังใช้ฟังก์ชันสั่งงานด้วยสัญญาณไร้สายอยู่

คำอธิบายสถานะดวงไฟแสดงการสั่งงานด้วยสัญญาณไร้สาย

- **หมายเลข 50:** 1. ดวงไฟแสดงการสั่งงานด้วยสัญญาณไร้สาย

ดวงไฟแสดงการสั่งงานด้วยสัญญาณไร้สายจะแสดงสถานะของฟังก์ชันสั่งงานด้วยสัญญาณไร้สาย หมายความว่าสถานะดวงไฟได้ที่ตารางด้านล่าง

| สถานะ | ดวงไฟแสดงการสั่งงานด้วยสัญญาณไร้สาย | | | | คำอธิบาย |
|------------------------------|-------------------------------------|-------------------------------------|--|---------------------------|--|
| | สี | <input type="checkbox"/> สว่าง | <input checked="" type="checkbox"/> กะพริบ | ระยะเวลา | |
| เตรียมพร้อม | สีฟ้า | <input checked="" type="checkbox"/> | | 2 ชั่วโมง | สามารถใช้การสั่งงานด้วยสัญญาณไร้สายของที่ดูดฝุ่นได้ ดวงไฟจะดับลงอัตโนมัติเมื่อไม่มีการใช้งานเป็นเวลา 2 ชั่วโมง |
| | | <input type="checkbox"/> | | เมื่อเครื่องมือกำลังทำงาน | สามารถใช้การสั่งงานด้วยสัญญาณไร้สายของที่ดูดฝุ่นได้และเครื่องมือกำลังทำงานอยู่ |
| การบันทึกเครื่องมือ | สีเขียว | <input checked="" type="checkbox"/> | | 20 วินาที | พร้อมสำหรับการบันทึกเครื่องมือ รอกการบันทึกโดยที่ดูดฝุ่น |
| | | <input type="checkbox"/> | | 2 วินาที | การบันทึกเครื่องมือเสร็จสิ้นแล้ว ดวงไฟแสดงการสั่งงานด้วยสัญญาณไร้สายจะเริ่มกะพริบเป็นสีฟ้า |
| การยกเลิกการบันทึกเครื่องมือ | สีแดง | <input checked="" type="checkbox"/> | | 20 วินาที | พร้อมสำหรับการยกเลิกการบันทึกเครื่องมือ รอกการยกเลิกโดยที่ดูดฝุ่น |
| | | <input type="checkbox"/> | | 2 วินาที | การยกเลิกการบันทึกเครื่องมือเสร็จสิ้นแล้ว ดวงไฟแสดงการสั่งงานด้วยสัญญาณไร้สายจะเริ่มกะพริบเป็นสีฟ้า |
| อื่นๆ | สีแดง | <input type="checkbox"/> | | 3 วินาที | ไฟฟ้าจะถูกจ่ายไปยังอุปกรณ์รับส่งสัญญาณไร้สายและฟังก์ชันสั่งงานด้วยสัญญาณไร้สายจะเริ่มทำงาน |
| | ดับ | - | | - | การสั่งงานด้วยสัญญาณไร้สายของที่ดูดฝุ่นจะหยุดทำงาน |

การยกเลิกการบันทึกเครื่องมือสำหรับที่ดูดฝุ่น

เมื่อต้องการยกเลิกการบันทึกเครื่องมือสำหรับที่ดูดฝุ่น ให้ดำเนินการตามขั้นตอนดังต่อไปนี้

1. ติดตั้งแบตเตอรี่เข้ากับที่ดูดฝุ่นและเครื่องมือ
 2. ตั้งสวิตช์เตรียมพร้อมบนที่ดูดฝุ่นเป็น "AUTO"
- **หมายเลข 51:** 1. สวิตช์เตรียมพร้อม
3. กดปุ่มสั่งงานด้วยสัญญาณไร้สายบนที่ดูดฝุ่นค้างไว้ประมาณ 6 วินาที ดวงไฟแสดงการสั่งงานด้วยสัญญาณไร้สายจะกะพริบเป็นสีเขียว จากนั้นจะเปลี่ยนเป็นสีแดง หลังจากนั้นให้กดปุ่มสั่งงานด้วยสัญญาณไร้สายบนเครื่องมือในลักษณะเดียวกัน

- **หมายเลข 52:** 1. ปุ่มสั่งงานด้วยสัญญาณไร้สาย
2. ดวงไฟแสดงการสั่งงานด้วยสัญญาณไร้สาย

หากดำเนินการยกเลิกเสร็จสิ้นแล้ว ดวงไฟแสดงการสั่งงานด้วยสัญญาณไร้สายจะสว่างขึ้นเป็นสีแดงประมาณ 2 วินาที และจะเริ่มกะพริบเป็นสีฟ้า

หมายเหตุ: ดวงไฟแสดงการสั่งงานด้วยสัญญาณไร้สายจะหยุดกะพริบเป็นสีแดงหลังผ่านไป 20 วินาที กดปุ่มสั่งงานด้วยสัญญาณไร้สายบนเครื่องมือในขณะที่ดวงไฟแสดงการสั่งงานด้วยสัญญาณไร้สายบนที่ดูดฝุ่นกำลังกะพริบอยู่ หากดวงไฟแสดงการสั่งงานด้วยสัญญาณไร้สายไม่กะพริบเป็นสีแดง ให้ดันปุ่มสั่งงานด้วยสัญญาณไร้สายสักครู่ แล้วกดอีกครั้ง

การแก้ไขปัญหาสำหรับฟังก์ชันสั่งงานด้วยสัญญาณไร้สาย

ก่อนนำไปซ่อม ให้ทำการตรวจสอบด้วยตัวเองก่อน หากพบปัญหาที่ไม่มีอธิบายในคู่มือการใช้งาน อย่าพยายามถอดแยกเครื่องมือ แต่ให้นำไปซ่อมที่ศูนย์บริการหรือโรงงานที่ผ่านการรับรองจาก Makita และใช้ชิ้นส่วนอะไหล่ของ Makita

| สถานะความผิดปกติ | สาเหตุที่เป็นไปได้ (การทำงานผิดปกติ) | การแก้ไข |
|---|---|--|
| ดวงไฟแสดงการสั่งงานด้วยสัญญาณไร้สายไม่สว่าง/กะพริบ | อุปกรณ์รับส่งสัญญาณไร้สายไม่ถูกติดตั้งลงในเครื่องมือ | ติดตั้งอุปกรณ์รับส่งสัญญาณไร้สายให้ถูกต้อง |
| | อุปกรณ์รับส่งสัญญาณไร้สายไม่ถูกติดตั้งลงในเครื่องมืออย่างถูกต้อง | |
| | ขั้วต่อของอุปกรณ์รับส่งสัญญาณไร้สายและ/หรือช่องเสียบสกรู | ค่อยๆ เช็ดฝุ่นและสิ่งสกปรกบนขั้วต่อของอุปกรณ์รับส่งสัญญาณไร้สายและทำความสะอาดช่องเสียบ |
| | ปุ่มสั่งงานด้วยสัญญาณไร้สายบนเครื่องมือยังไม่ถูกดันเข้าไป | ดันปุ่มสั่งงานด้วยสัญญาณไร้สายบนเครื่องมือไว้สักครู่ |
| | สวิตช์เตรียมพร้อมบนที่ดูดฝุ่นไม่ได้ถูกตั้งเป็น "AUTO" | ตั้งสวิตช์เตรียมพร้อมบนที่ดูดฝุ่นเป็น "AUTO" |
| ไม่มีการจ่ายไฟฟ้า | จ่ายไฟฟ้าให้เครื่องมือและที่ดูดฝุ่น | |
| ไม่สามารถเสร็จสิ้นการบันทึกเครื่องมือ / การยกเลิกการบันทึกเครื่องมือได้สำเร็จ | อุปกรณ์รับส่งสัญญาณไร้สายไม่ถูกติดตั้งลงในเครื่องมือ | ติดตั้งอุปกรณ์รับส่งสัญญาณไร้สายให้ถูกต้อง |
| | อุปกรณ์รับส่งสัญญาณไร้สายไม่ถูกติดตั้งลงในเครื่องมืออย่างถูกต้อง | |
| | ขั้วต่อของอุปกรณ์รับส่งสัญญาณไร้สายและ/หรือช่องเสียบสกรู | ค่อยๆ เช็ดฝุ่นและสิ่งสกปรกบนขั้วต่อของอุปกรณ์รับส่งสัญญาณไร้สายและทำความสะอาดช่องเสียบ |
| | สวิตช์เตรียมพร้อมบนที่ดูดฝุ่นไม่ได้ถูกตั้งเป็น "AUTO" | ตั้งสวิตช์เตรียมพร้อมบนที่ดูดฝุ่นเป็น "AUTO" |
| | ไม่มีการจ่ายไฟฟ้า | จ่ายไฟฟ้าให้เครื่องมือและที่ดูดฝุ่น |
| | การทำงานไม่ถูกต้อง | ดันปุ่มสั่งงานด้วยสัญญาณไร้สายไว้สักครู่ จากนั้นดำเนินการขั้นตอนการบันทึก/การยกเลิกเครื่องมืออีกครั้ง |
| | เครื่องมือและที่ดูดฝุ่นอยู่ห่างจากกัน (เกินช่วงระยะการส่งสัญญาณ) | นำเครื่องมือและที่ดูดฝุ่นเข้ามาไว้ใกล้กันมากขึ้น ระยะการส่งสัญญาณสูงสุดคือประมาณ 10 m อย่างไรก็ตามอาจแตกต่างกันไปขึ้นอยู่กับสถานะแวดล้อม |
| | ก่อนเสร็จสิ้นการบันทึก/การยกเลิกเครื่องมือ - สวิตช์สั่งงานบนเครื่องมือถูกตั้งอยู่ หรือ - ปุ่มไฟหลักบนที่ดูดฝุ่นเปิดอยู่ | ดันปุ่มสั่งงานด้วยสัญญาณไร้สายไว้สักครู่ จากนั้นดำเนินการขั้นตอนการบันทึก/การยกเลิกเครื่องมืออีกครั้ง |
| | ขั้นตอนการบันทึกเครื่องมือสำหรับเครื่องมือหรือที่ดูดฝุ่นยังไม่เสร็จสิ้น | ดำเนินการตามขั้นตอนการบันทึกเครื่องมือสำหรับทั้งเครื่องมือและที่ดูดฝุ่นในเวลาเดียวกัน |
| การรบกวนจากคลื่นวิทยุของเครื่องใช้อื่นๆ ซึ่งทำให้เกิดคลื่นวิทยุความถี่สูง | นำเครื่องมือและที่ดูดฝุ่นออกห่างจากเครื่องใช้ต่างๆ เช่น อุปกรณ์ Wi-Fi และเตาอบไมโครเวฟ | |

| สภาวะความผิดปกติ | สาเหตุที่เป็นไปได้ (การทำงานผิดปกติ) | การแก้ไข |
|---|---|---|
| ที่ดูดฝุ่นไม่ทำงานตามการควบคุมด้วยสวิตช์ของเครื่องมือ | อุปกรณ์รับส่งสัญญาณไร้สายไม่ถูกติดตั้งลงในเครื่องมือ | ติดตั้งอุปกรณ์รับส่งสัญญาณไร้สายให้ถูกต้อง |
| | อุปกรณ์รับส่งสัญญาณไร้สายไม่ถูกติดตั้งลงในเครื่องมืออย่างถูกต้อง | |
| | ขั้วต่อของอุปกรณ์รับส่งสัญญาณไร้สายและ/หรือช่องเสียบสปรก | ค่อยๆ เช็ดฝุ่นและสิ่งสกปรกบนขั้วต่อของอุปกรณ์รับส่งสัญญาณไร้สายและความสะอาดช่องเสียบ |
| | ปุ่มสั่งงานด้วยสัญญาณไร้สายบนเครื่องมือยังไม่ถูกดันเข้าไป | ดันปุ่มสั่งงานด้วยสัญญาณไร้สายไว้สักครู่ และตรวจสอบให้แน่ใจว่าดวงไฟแสดงการสั่งงานด้วยสัญญาณไร้สายกะพริบเป็นสีฟ้า |
| | สวิตช์เตรียมพร้อมบนที่ดูดฝุ่นไม่ได้ถูกตั้งเป็น "AUTO" | ตั้งสวิตช์เตรียมพร้อมบนที่ดูดฝุ่นเป็น "AUTO" |
| | มีเครื่องมือที่บันทึกเข้ากับที่ดูดฝุ่นมากกว่า 10 เครื่อง | ดำเนินการบันทึกเครื่องมืออีกครั้ง หากมีเครื่องมือที่บันทึกเข้ากับที่ดูดฝุ่นมากกว่า 10 เครื่อง เครื่องมือที่บันทึกเครื่องแรกสุดจะถูกยกเลิกไปโดยอัตโนมัติ |
| | ที่ดูดฝุ่นลบการบันทึกเครื่องมือทั้งหมด | ดำเนินการบันทึกเครื่องมืออีกครั้ง |
| | ไม่มีการจ่ายไฟฟ้า | จ่ายไฟฟ้าให้เครื่องมือและที่ดูดฝุ่น |
| ที่ดูดฝุ่นทำงานในขณะที่สวิตช์สั่งงานเครื่องมือยังไม่ถูกตั้ง | เครื่องมือและที่ดูดฝุ่นอยู่ห่างจากกัน (เกินช่วงระยะการส่งสัญญาณ) | นำเครื่องมือและที่ดูดฝุ่นเข้ามาไว้ใกล้กันมากขึ้น ระยะการส่งสัญญาณสูงสุดคือประมาณ 10 m อย่างไรก็ตามอาจแตกต่างกันไปขึ้นอยู่กับสภาวะแวดล้อม |
| | การรบกวนจากคลื่นวิทยุของเครื่องใช้อื่นๆ ซึ่งทำให้เกิดคลื่นวิทยุความถี่สูง | นำเครื่องมือและที่ดูดฝุ่นออกจากเครื่องใช้ต่างๆ เช่น อุปกรณ์ Wi-Fi และเดอบอโมโครเวฟ |
| ที่ดูดฝุ่นทำงานในขณะที่สวิตช์สั่งงานเครื่องมือยังไม่ถูกตั้ง | ผู้ใช้อื่นกำลังใช้การสั่งงานด้วยสัญญาณไร้สายของที่ดูดฝุ่นจากเครื่องมือของพวกเขาอยู่ | ปิดปุ่มสั่งงานด้วยสัญญาณไร้สายของเครื่องมืออื่นๆ หรือยกเลิกการบันทึกเครื่องมือของเครื่องมืออื่น |

การบำรุงรักษา

⚠ ข้อควรระวัง: ตรวจสอบให้แน่ใจว่าได้ปิดสวิตช์เครื่องมือและถอดด้ามแบตเตอรี่ออกก่อนทำการตรวจสอบหรือบำรุงรักษา

ข้อสังเกต: อย่าใช้น้ำมันเชื้อเพลิง เบนซิน ทินเนอร์ แอลกอฮอล์ หรือวัสดุประเภทเดียวกัน เนื่องจากอาจทำให้สีซีดจาง เสียรูป หรือแตกร้าวได้

เพื่อความปลอดภัยและนำเชื้อถือของผลิตภัณฑ์ ควรให้ศูนย์บริการหรือโรงงานที่ผ่านการรับรองจาก Makita เป็นผู้ดำเนินการซ่อมแซม บำรุงรักษาและทำการปรับตั้งอื่นๆ นอกจากนี้ให้ใช้อะไหล่ของแท้จาก Makita เสมอ

การเปลี่ยนตัวกรองของกล่องเก็บฝุ่น

- อุปกรณ์เสริม**
- ถอดกล่องเก็บฝุ่นในขณะที่กีดกั้นของกล่องเก็บฝุ่นลง
 - ▶ **หมายเลข 53:** 1. ก้าน
 - สอดไขควงปากแบนเข้าไปในช่องของฝาปิดตัวกรองเพื่อถอดฝาปิดตัวกรองออก
 - ▶ **หมายเลข 54:** 1. ไขควงปากแบน 2. ฝาปิดตัวกรอง
 - ถอดตัวกรองออกจากปลอกตัวกรอง
 - ▶ **หมายเลข 55:** 1. ตัวกรอง 2. ปลอกตัวกรอง
 - ใส่ตัวกรองใหม่เข้าไปในปลอกตัวกรอง จากนั้นใส่ฝาปิดตัวกรอง

5. ปิดฝาปิดของกล่องเก็บฝุ่น และติดกล่องเก็บฝุ่นเข้ากับระบบดักฝุ่น

การเปลี่ยนฝาปิดซีล

อุปกรณ์เสริม

ถ้าฝาปิดซีลชำรุด ประสิทธิภาพของการดักฝุ่นจะลดลง เปลี่ยนฝาปิดซีลใหม่หากชำรุด

ถอดฝาปิดซีลออก และใส่ฝาใหม่โดยให้ส่วนที่ยื่นออกมาหันขึ้น

► หมายเลข 56: 1. ส่วนที่ยื่นออกมา 2. ฝาปิดซีล

อุปกรณ์เสริม

⚠ ข้อควรระวัง: ขอแนะนำให้ใช้เฉพาะอุปกรณ์เสริมหรืออุปกรณ์ต่อพ่วงเหล่านี้กับเครื่องมือ Makita ที่ระบุในคู่มือการใช้ อุปกรณ์เสริมหรืออุปกรณ์ต่อพ่วงอื่นๆ อาจมีความเสี่ยงที่จะได้รับบาดเจ็บ ใช้ อุปกรณ์เสริมหรืออุปกรณ์ต่อพ่วงตามวัตถุประสงค์ที่ระบุไว้เท่านั้น

หากต้องการทราบรายละเอียดเพิ่มเติมเกี่ยวกับอุปกรณ์เสริมเหล่านี้ โปรดสอบถามศูนย์บริการ Makita ใกล้บ้านคุณ

- ดอกสว่านหัวคาร์ไบด์ (ดอกสว่านหัวคาร์ไบด์ SDS-พลัส)
- แกนดอกสว่าน
- ดอกสกัดปากแหลม
- ดอกสว่านแกนเพชร
- ดอกสกัดปากแบน
- ดอกสกัดแบนใหญ่
- ดอกสกัดเขาวงกต
- ตัวแปลงหัวจับ
- หัวจับดอกสว่านแบบไม่มีกุกญแจ
- จาระบีดอกสว่าน
- เกจวัดความลึก
- กระเปาะยางเป่าลม
- ถ้วยดักฝุ่น
- ชุดถ้วยดักฝุ่น
- ระบบดักฝุ่น
- อุปกรณ์รับส่งสัญญาณไร้สาย
- แบตเตอรี่และเครื่องชาร์จ Makita ของแท้
- แวนตานีรภัย
- กระเป๋าถือพลาสติค

หมายเหตุ: อุปกรณ์บางรายการอาจจะรวมอยู่ในชุดเครื่องมือเป็นอุปกรณ์มาตรฐาน ซึ่งอาจแตกต่างกันไปในแต่ละประเทศ

Makita Corporation
3-11-8, Sumiyoshi-cho,
Anjo, Aichi 446-8502 Japan
www.makita.com

885632B379
EN, ID, VI, TH
20180607