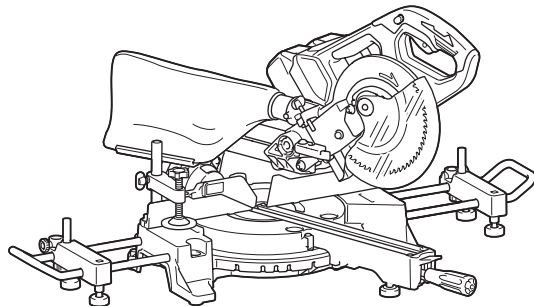




EN	Cordless Slide Compound Miter Saw	INSTRUCTION MANUAL	11
ID	Gergaji Adu Manis (Miter) Kombinasi Geser Nirkabel	PETUNJUK PENGGUNAAN	28
VI	Máy Cưa Trượt chạy Pin	TÀI LIỆU HƯỚNG DẪN	48
TH	แท่นเลื่อยตัดองศาไร้สาย	คู่มือการใช้งาน	66

DLS714



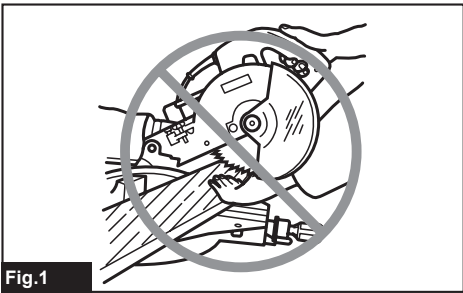


Fig.1

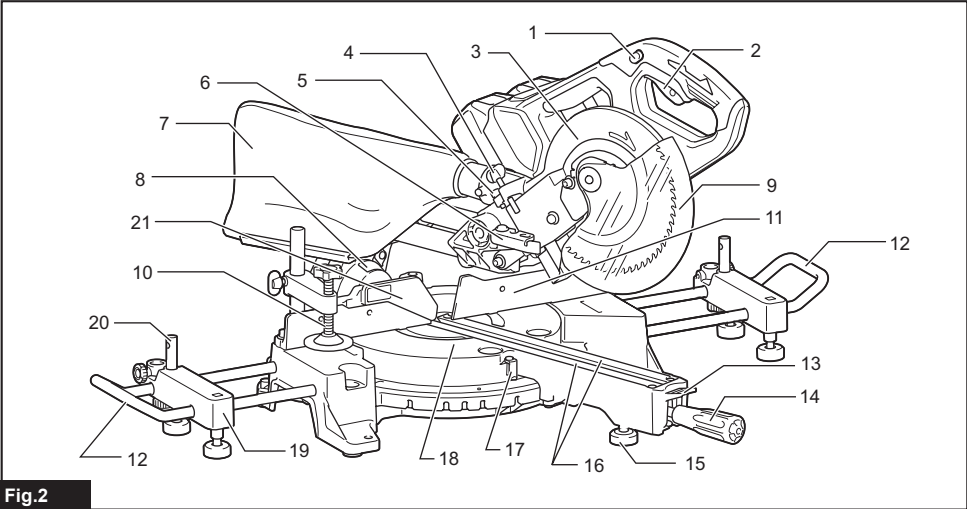


Fig.2

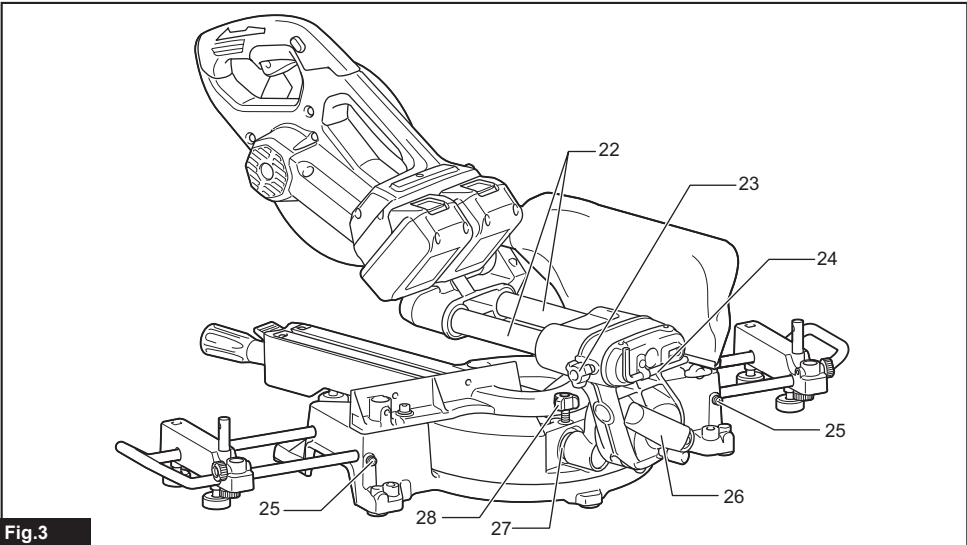


Fig.3

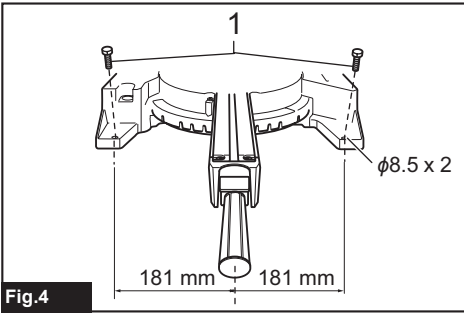


Fig.4

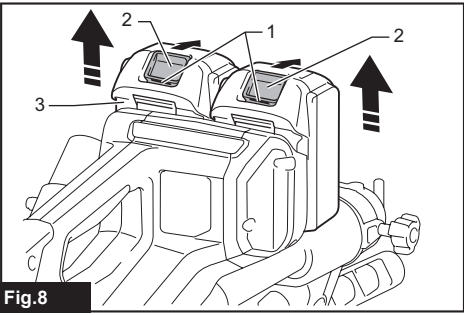


Fig.8

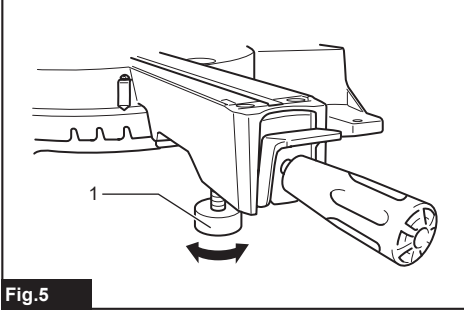


Fig.5

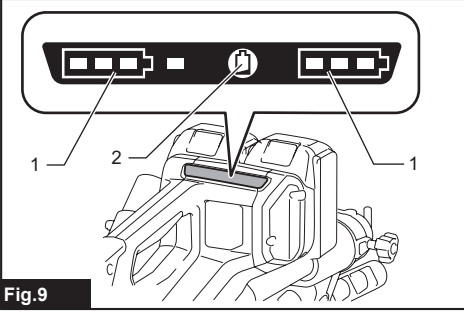


Fig.9

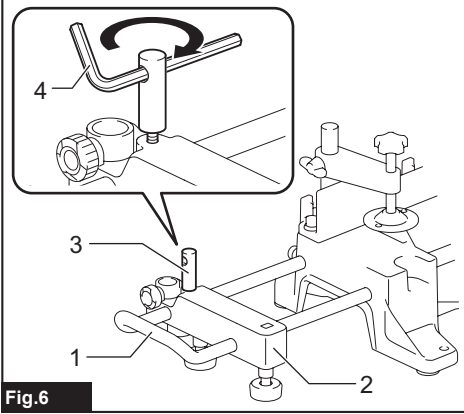


Fig.6

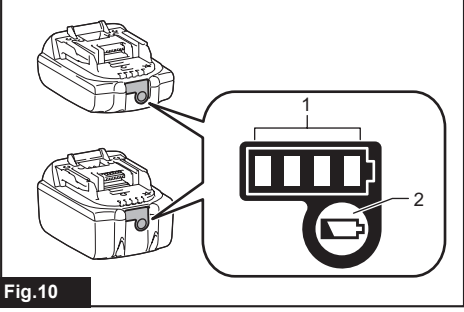


Fig.10

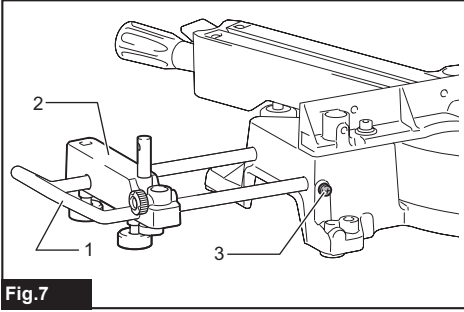


Fig.7

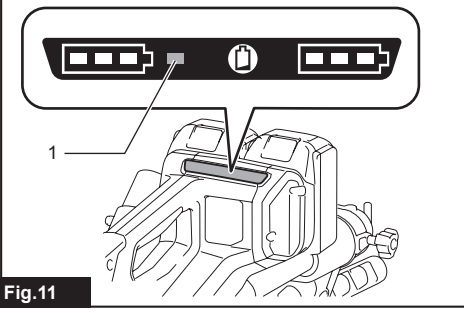


Fig.11

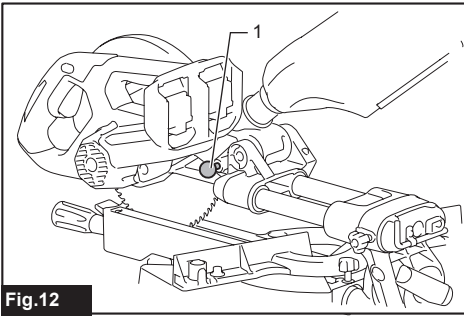


Fig.12

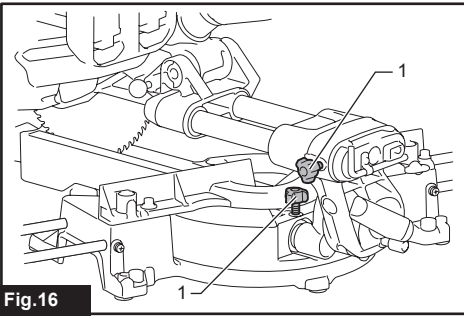


Fig.16

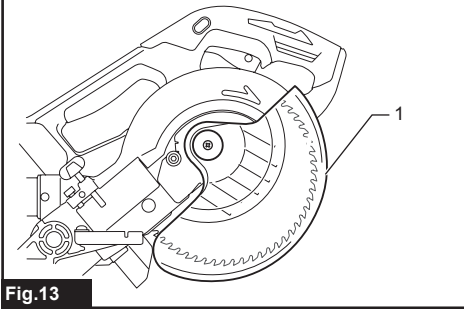


Fig.13

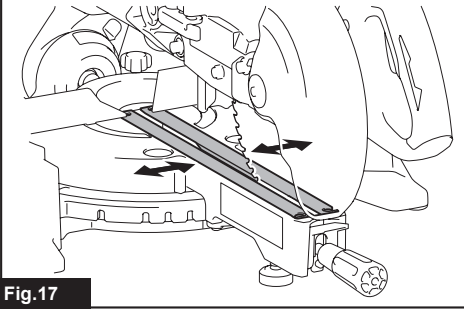


Fig.17

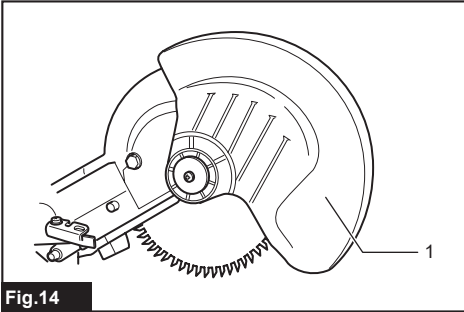


Fig.14

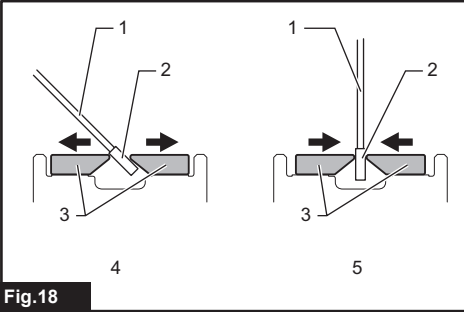


Fig.18

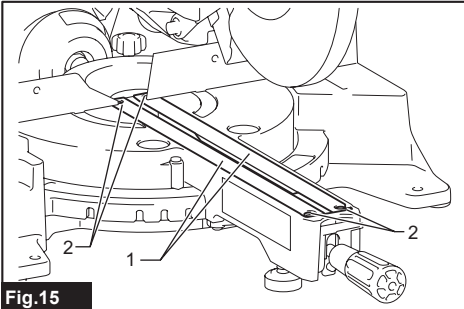


Fig.15

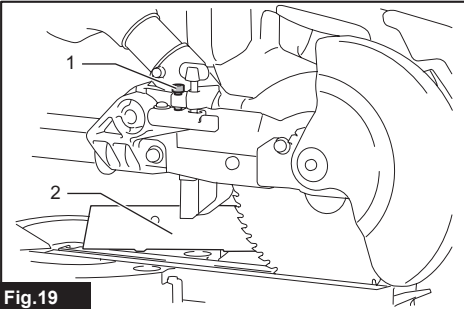


Fig.19

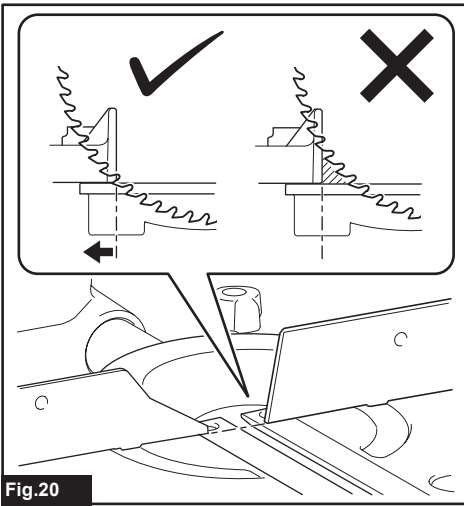


Fig.20

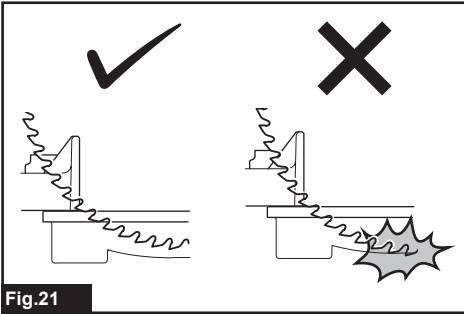


Fig.21

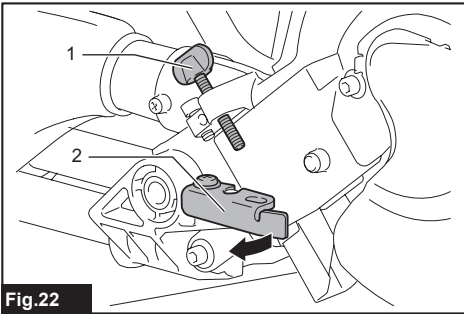


Fig.22

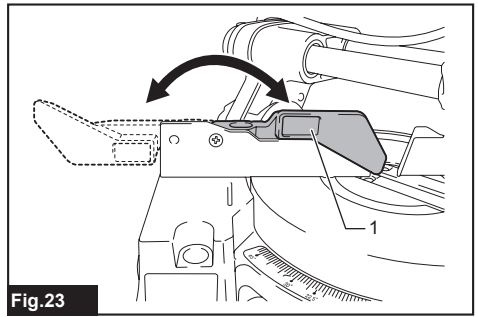


Fig.23

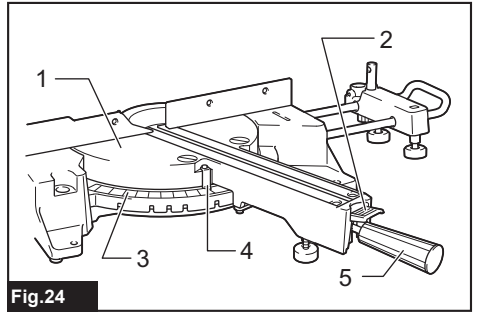


Fig.24

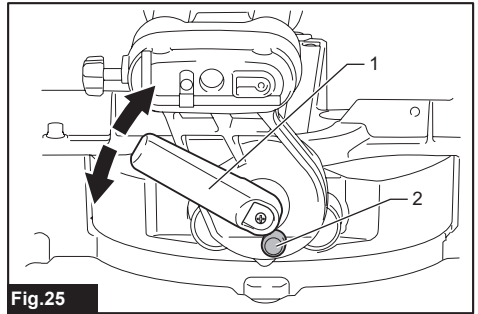


Fig.25

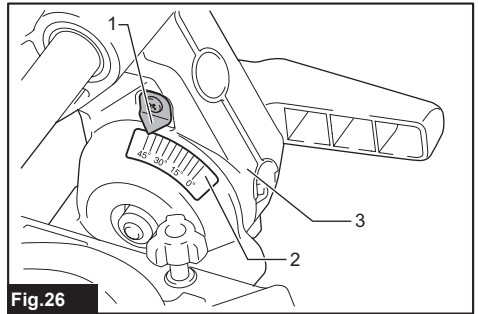


Fig.26

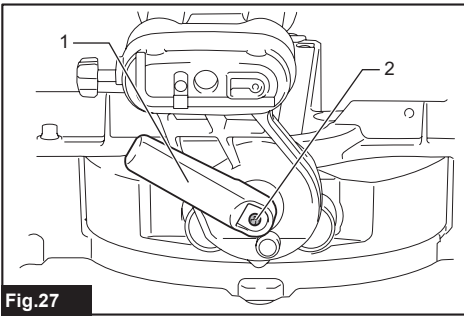


Fig.27

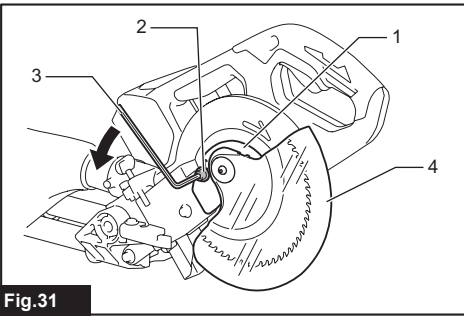


Fig.31

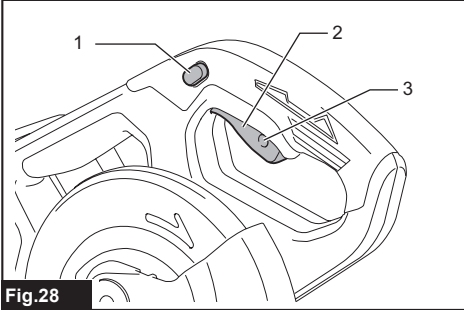


Fig.28

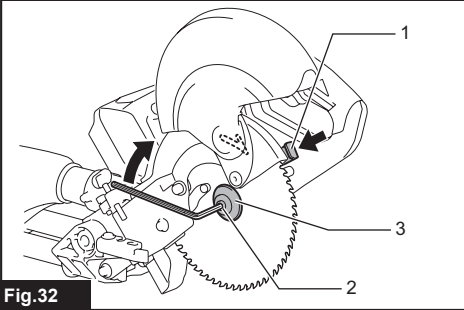


Fig.32

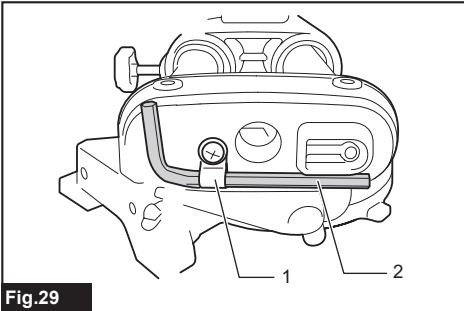


Fig.29

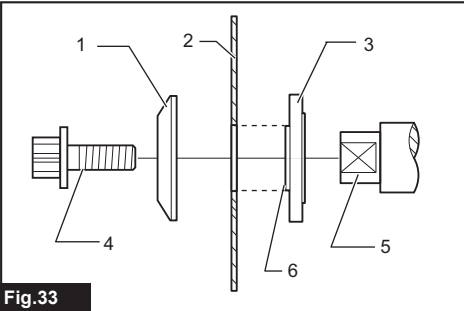


Fig.33

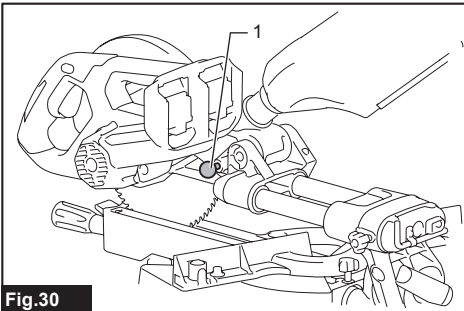


Fig.30

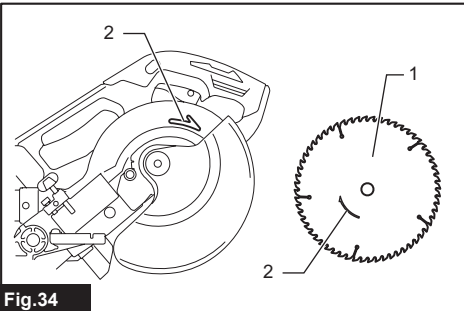


Fig.34

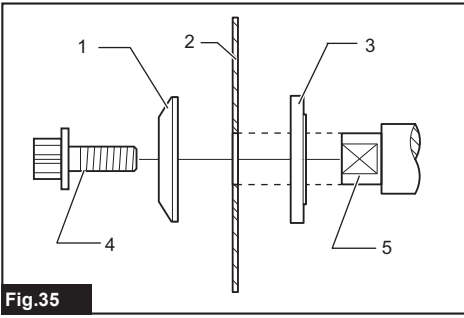


Fig.35

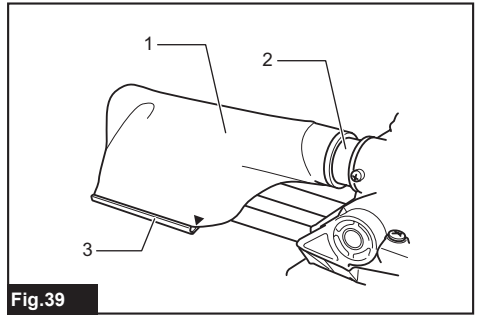


Fig.39

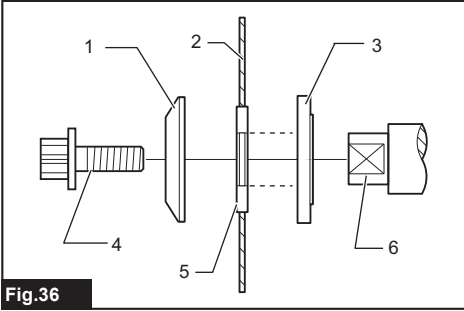


Fig.36

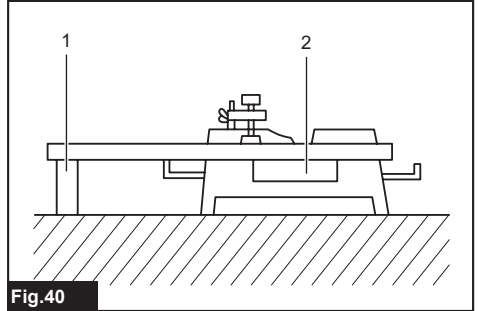


Fig.40

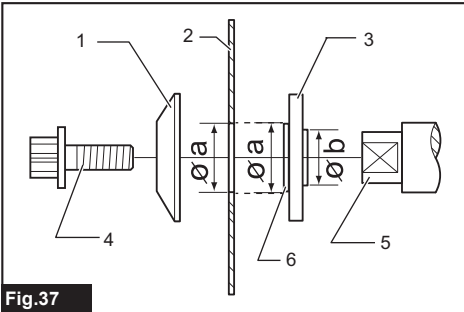


Fig.37

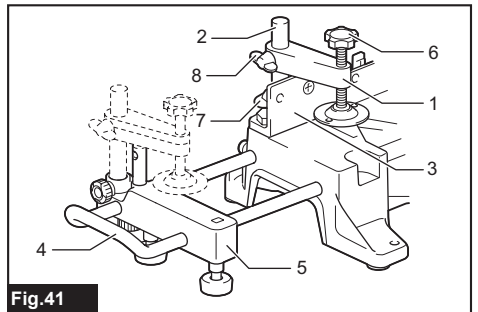


Fig.41

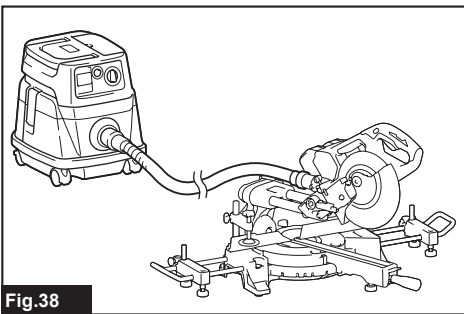


Fig.38

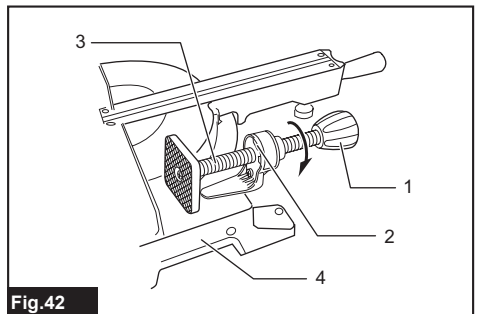


Fig.42

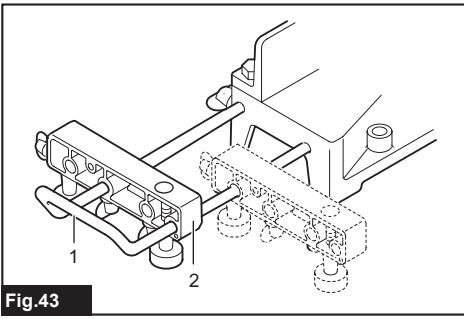


Fig.43

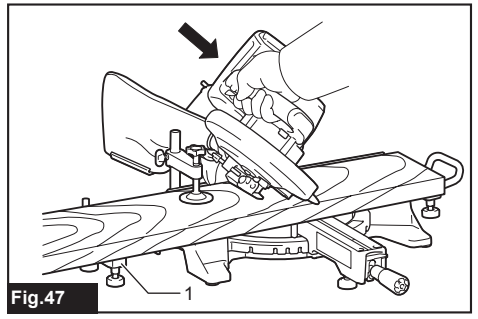


Fig.47

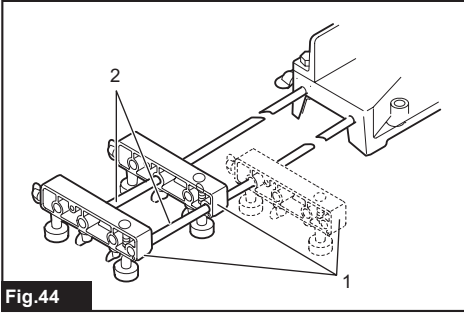


Fig.44

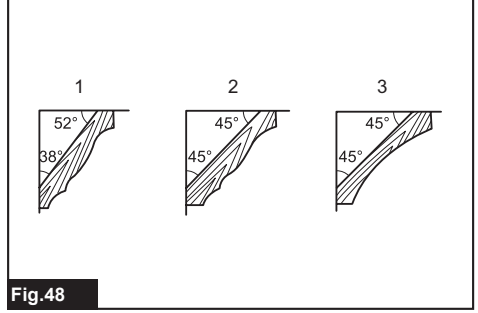


Fig.48

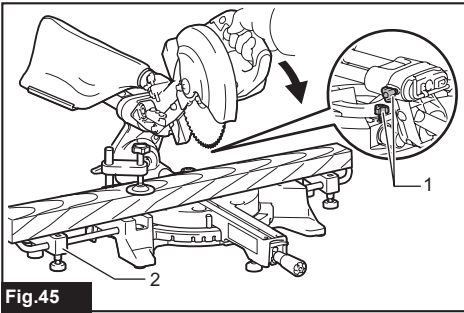


Fig.45

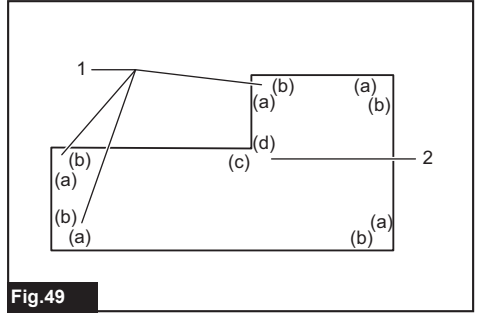


Fig.49

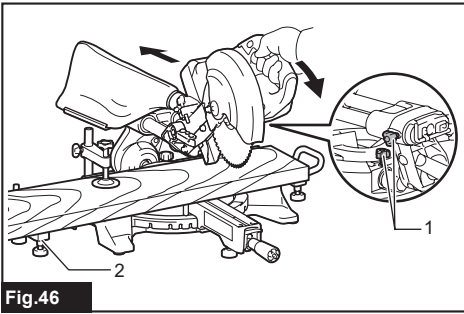


Fig.46

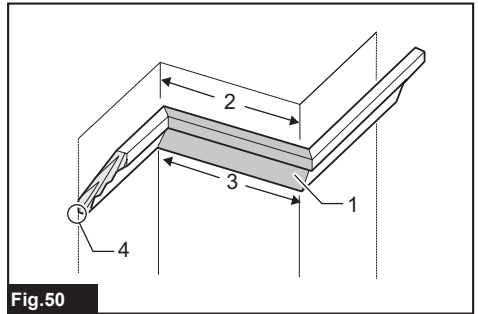


Fig.50

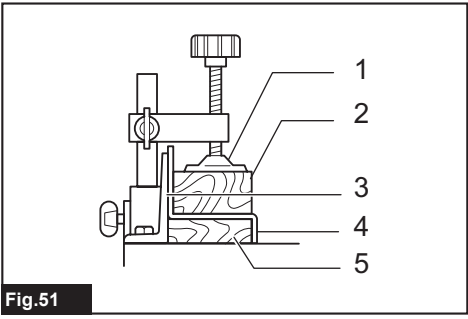


Fig.51

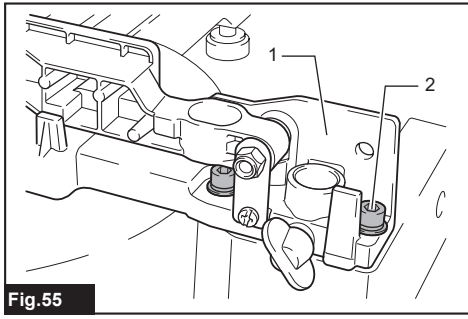


Fig.55

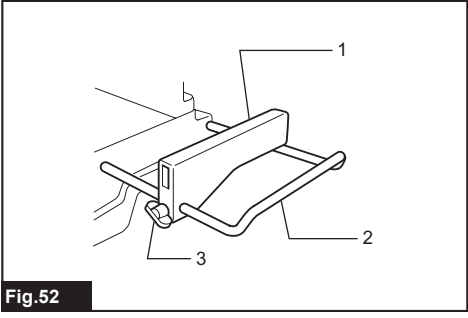


Fig.52

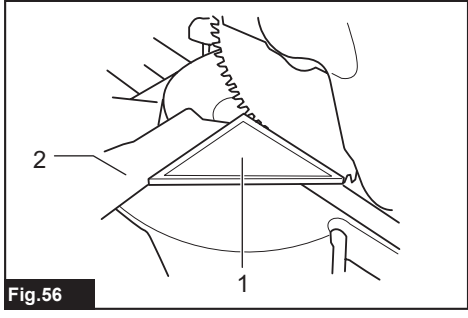


Fig.56

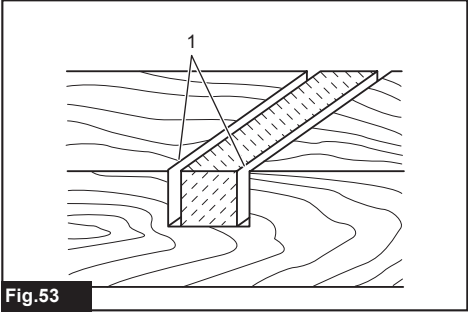


Fig.53

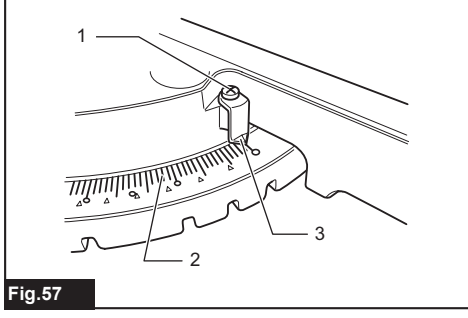


Fig.57

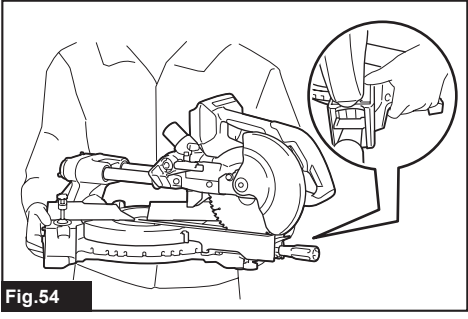


Fig.54

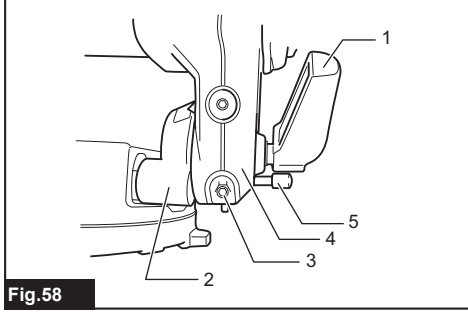


Fig.58

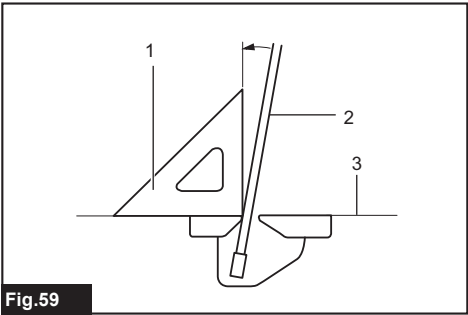


Fig.59

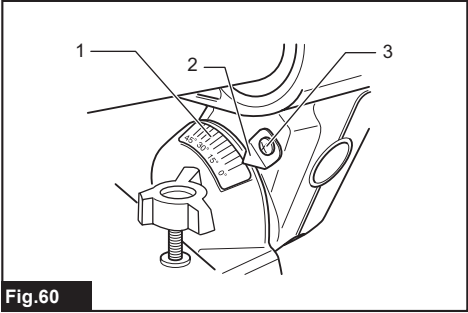


Fig.60

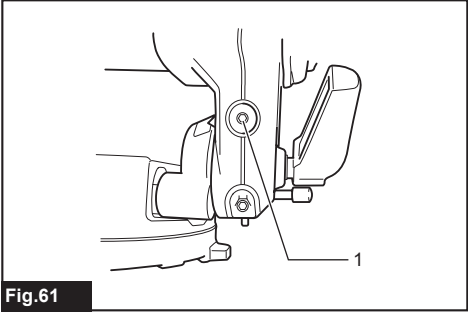


Fig.61

SPECIFICATIONS

Model:	DLS714
Blade diameter	190 mm
Hole (arbor) diameter (country specific)	20 mm or 15.88 mm
Max. kerf thickness of the saw blade	2.2 mm
Max. miter angle	Left 47°, Right 57°
Max. bevel angle	Left 45°, Right 5°
No load speed	5,700 min ⁻¹
Dimensions (L x W x H)	655 mm x 430 mm x 445 mm
Rated voltage	D.C. 36 V
Net weight	14.4 - 14.7 kg

- Due to our continuing program of research and development, the specifications herein are subject to change without notice.
- Specifications may differ from country to country.
- The weight may differ depending on the attachment(s), including the battery cartridge. The lightest and heaviest combination, according to EPTA-Procedure 01/2014, are shown in the table.

Applicable battery cartridge and charger

Battery cartridge	BL1815N / BL1820B / BL1830B / BL1840B / BL1850B / BL1860B
Charger	DC18RC / DC18RD / DC18RE / DC18SD / DC18SE / DC18SF / DC18SH

- Some of the battery cartridges and chargers listed above may not be available depending on your region of residence.

⚠ WARNING: Only use the battery cartridges and chargers listed above. Use of any other battery cartridges and chargers may cause injury and/or fire.





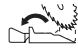

Cutting capacities (H x W) with blade 190 mm in diameter

Miter angle	Bevel angle		
	45° (left)	0°	5° (right)
0°	40 mm x 300 mm	52 mm x 300 mm	40 mm x 300 mm
	45 mm x 265 mm (NOTE 1)	60 mm x 265 mm (NOTE 1)	–
45° (left and right)	40 mm x 212 mm	52 mm x 212 mm	–
	45 mm x 185 mm (NOTE 2)	60 mm x 185 mm (NOTE 2)	–
57° (right)	–	52 mm x 163 mm	–
	–	60 mm x 145 mm (NOTE 3)	–

1. Max. Cutting capacity when using a wood facing 20 mm thickness
2. Max. Cutting capacity when using a wood facing 15 mm thickness
3. Max. Cutting capacity when using a wood facing 10 mm thickness

Symbols

The followings show the symbols which may be used for the equipment. Be sure that you understand their meaning before use.

	Read instruction manual.
	To avoid injury from flying debris, keep holding the saw head down, after making cuts, until the blade has come to a complete stop.
	When performing slide cut, first pull carriage fully and press down handle, then push carriage toward the guide fence.
	Do not place hand or fingers close to the blade.
	Always set SUB-FENCE to left position when performing left bevel cuts. Failure to do so may cause serious injury to operator.
	Only for EU countries Due to the presence of hazardous components in the equipment, waste electrical and electronic equipment, accumulators and batteries may have a negative impact on the environment and human health. Do not dispose of electrical and electronic appliances or batteries with household waste! In accordance with the European Directive on waste electrical and electronic equipment and on accumulators and batteries and waste accumulators and batteries, as well as their adaptation to national law, waste electrical equipment, batteries and accumulators should be stored separately and delivered to a separate collection point for municipal waste, operating in accordance with the regulations on environmental protection. This is indicated by the symbol of the crossed-out wheeled bin placed on the equipment.

Intended use

The tool is intended for accurate straight and miter cutting in wood. With appropriate saw blades, aluminum can also be sawed.

Do not use the saw to cut other than wood, aluminum or similar materials.

SAFETY WARNINGS

General power tool safety warnings

⚠ WARNING: Read all safety warnings, instructions, illustrations and specifications provided with this power tool. Failure to follow all instructions listed below may result in electric shock, fire and/or serious injury.

Save all warnings and instructions for future reference.

The term "power tool" in the warnings refers to your mains-operated (corded) power tool or battery-operated (cordless) power tool.

Work area safety

1. **Keep work area clean and well lit.** Cluttered or dark areas invite accidents.
2. **Do not operate power tools in explosive atmospheres, such as in the presence of flammable liquids, gases or dust.** Power tools create sparks which may ignite the dust or fumes.
3. **Keep children and bystanders away while operating a power tool.** Distractions can cause you to lose control.

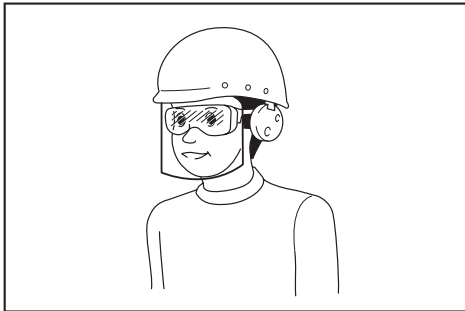
Electrical safety

1. **Power tool plugs must match the outlet. Never modify the plug in any way. Do not use any adapter plugs with earthed (grounded) power tools.** Unmodified plugs and matching outlets will reduce risk of electric shock.
2. **Avoid body contact with earthed or grounded surfaces, such as pipes, radiators, ranges and refrigerators.** There is an increased risk of electric shock if your body is earthed or grounded.
3. **Do not expose power tools to rain or wet conditions.** Water entering a power tool will increase the risk of electric shock.
4. **Do not abuse the cord. Never use the cord for carrying, pulling or unplugging the power tool. Keep cord away from heat, oil, sharp edges or moving parts.** Damaged or entangled cords increase the risk of electric shock.
5. **When operating a power tool outdoors, use an extension cord suitable for outdoor use.** Use of a cord suitable for outdoor use reduces the risk of electric shock.
6. **If operating a power tool in a damp location is unavoidable, use a residual current device (RCD) protected supply.** Use of an RCD reduces the risk of electric shock.
7. **Power tools can produce electromagnetic fields (EMF) that are not harmful to the user.** However, users of pacemakers and other similar medical devices should contact the maker of their device and/or doctor for advice before operating this power tool.

Personal safety

1. **Stay alert, watch what you are doing and use common sense when operating a power tool. Do not use a power tool while you are tired or under the influence of drugs, alcohol or medication.** A moment of inattention while operating power tools may result in serious personal injury.
2. **Use personal protective equipment. Always wear eye protection.** Protective equipment such as a dust mask, non-skid safety shoes, hard hat or hearing protection used for appropriate conditions will reduce personal injuries.
3. **Prevent unintentional starting. Ensure the switch is in the off-position before connecting to power source and/or battery pack, picking up or carrying the tool.** Carrying power tools with your finger on the switch or energising power tools that have the switch on invites accidents.

4. **Remove any adjusting key or wrench before turning the power tool on.** A wrench or a key left attached to a rotating part of the power tool may result in personal injury.
5. **Do not overreach. Keep proper footing and balance at all times.** This enables better control of the power tool in unexpected situations.
6. **Dress properly. Do not wear loose clothing or jewellery. Keep your hair and clothing away from moving parts.** Loose clothes, jewellery or long hair can be caught in moving parts.
7. **If devices are provided for the connection of dust extraction and collection facilities, ensure these are connected and properly used.** Use of dust collection can reduce dust-related hazards.
8. **Do not let familiarity gained from frequent use of tools allow you to become complacent and ignore tool safety principles.** A careless action can cause severe injury within a fraction of a second.
9. **Always wear protective goggles to protect your eyes from injury when using power tools. The goggles must comply with ANSI Z87.1 in the USA, EN 166 in Europe, or AS/NZS 1336 in Australia/New Zealand. In Australia/New Zealand, it is legally required to wear a face shield to protect your face, too.**



It is an employer's responsibility to enforce the use of appropriate safety protective equipments by the tool operators and by other persons in the immediate working area.

Power tool use and care

1. **Do not force the power tool. Use the correct power tool for your application.** The correct power tool will do the job better and safer at the rate for which it was designed.
 2. **Do not use the power tool if the switch does not turn it on and off.** Any power tool that cannot be controlled with the switch is dangerous and must be repaired.
 3. **Disconnect the plug from the power source and/or remove the battery pack, if detachable, from the power tool before making any adjustments, changing accessories, or storing power tools.** Such preventive safety measures reduce the risk of starting the power tool accidentally.
4. **Store idle power tools out of the reach of children and do not allow persons unfamiliar with the power tool or these instructions to operate the power tool.** Power tools are dangerous in the hands of untrained users.
 5. **Maintain power tools and accessories. Check for misalignment or binding of moving parts, breakage of parts and any other condition that may affect the power tool's operation. If damaged, have the power tool repaired before use.** Many accidents are caused by poorly maintained power tools.
 6. **Keep cutting tools sharp and clean.** Properly maintained cutting tools with sharp cutting edges are less likely to bind and are easier to control.
 7. **Use the power tool, accessories and tool bits etc. in accordance with these instructions, taking into account the working conditions and the work to be performed.** Use of the power tool for operations different from those intended could result in a hazardous situation.
 8. **Keep handles and grasping surfaces dry, clean and free from oil and grease.** Slippery handles and grasping surfaces do not allow for safe handling and control of the tool in unexpected situations.
 9. **When using the tool, do not wear cloth work gloves which may be entangled.** The entanglement of cloth work gloves in the moving parts may result in personal injury.

Battery tool use and care

1. **Recharge only with the charger specified by the manufacturer.** A charger that is suitable for one type of battery pack may create a risk of fire when used with another battery pack.
2. **Use power tools only with specifically designated battery packs.** Use of any other battery packs may create a risk of injury and fire.
3. **When battery pack is not in use, keep it away from other metal objects, like paper clips, coins, keys, nails, screws or other small metal objects, that can make a connection from one terminal to another.** Shorting the battery terminals together may cause burns or a fire.
4. **Under abusive conditions, liquid may be ejected from the battery; avoid contact. If contact accidentally occurs, flush with water. If liquid contacts eyes, additionally seek medical help.** Liquid ejected from the battery may cause irritation or burns.
5. **Do not use a battery pack or tool that is damaged or modified.** Damaged or modified batteries may exhibit unpredictable behaviour resulting in fire, explosion or risk of injury.
6. **Do not expose a battery pack or tool to fire or excessive temperature.** Exposure to fire or temperature above 130 °C may cause explosion.
7. **Follow all charging instructions and do not charge the battery pack or tool outside the temperature range specified in the instructions.** Charging improperly or at temperatures outside the specified range may damage the battery and increase the risk of fire.

Service

1. **Have your power tool serviced by a qualified repair person using only identical replacement parts.** This will ensure that the safety of the power tool is maintained.
2. **Never service damaged battery packs.** Service of battery packs should only be performed by the manufacturer or authorized service providers.
3. **Follow instruction for lubricating and changing accessories.**

Safety instructions for mitre saws

1. **Mitre saws are intended to cut wood or wood-like products, they cannot be used with abrasive cut-off wheels for cutting ferrous material such as bars, rods, studs, etc.** Abrasive dust causes moving parts such as the lower guard to jam. Sparks from abrasive cutting will burn the lower guard, the kerf insert and other plastic parts.
 2. **Use clamps to support the workpiece whenever possible. If supporting the workpiece by hand, you must always keep your hand at least 100 mm from either side of the saw blade. Do not use this saw to cut pieces that are too small to be securely clamped or held by hand.** If your hand is placed too close to the saw blade, there is an increased risk of injury from blade contact.
 3. **The workpiece must be stationary and clamped or held against both the fence and the table. Do not feed the workpiece into the blade or cut “freehand” in any way.** Unrestrained or moving workpieces could be thrown at high speeds, causing injury.
 4. **Push the saw through the workpiece. Do not pull the saw through the workpiece. To make a cut, raise the saw head and pull it out over the workpiece without cutting, start the motor, press the saw head down and push the saw through the workpiece.** Cutting on the pull stroke is likely to cause the saw blade to climb on top of the workpiece and violently throw the blade assembly towards the operator.
 5. **Never cross your hand over the intended line of cutting either in front or behind the saw blade.** Supporting the workpiece “cross handed” i.e. holding the workpiece to the right of the saw blade with your left hand or vice versa is very dangerous.
- Fig.1
6. **Do not reach behind the fence with either hand closer than 100 mm from either side of the saw blade, to remove wood scraps, or for any other reason while the blade is spinning.** The proximity of the spinning saw blade to your hand may not be obvious and you may be seriously injured.
 7. **Inspect your workpiece before cutting. If the workpiece is bowed or warped, clamp it with the outside bowed face toward the fence. Always make certain that there is no gap between the workpiece, fence and table along the line of the cut.** Bent or warped workpieces can twist or shift and may cause binding on the spinning saw blade while cutting. There should be no nails or foreign objects in the workpiece.
 8. **Do not use the saw until the table is clear of all tools, wood scraps, etc., except for the workpiece.** Small debris or loose pieces of wood or other objects that contact the revolving blade can be thrown with high speed.
 9. **Cut only one workpiece at a time.** Stacked multiple workpieces cannot be adequately clamped or braced and may bind on the blade or shift during cutting.
 10. **Ensure the mitre saw is mounted or placed on a level, firm work surface before use.** A level and firm work surface reduces the risk of the mitre saw becoming unstable.
 11. **Plan your work. Every time you change the bevel or mitre angle setting, make sure the adjustable fence is set correctly to support the workpiece and will not interfere with the blade or the guarding system.** Without turning the tool “ON” and with no workpiece on the table, move the saw blade through a complete simulated cut to assure there will be no interference or danger of cutting the fence.
 12. **Provide adequate support such as table extensions, saw horses, etc. for a workpiece that is wider or longer than the table top.** Workpieces longer or wider than the mitre saw table can tip if not securely supported. If the cut-off piece or workpiece tips, it can lift the lower guard or be thrown by the spinning blade.
 13. **Do not use another person as a substitute for a table extension or as additional support.** Unstable support for the workpiece can cause the blade to bind or the workpiece to shift during the cutting operation pulling you and the helper into the spinning blade.
 14. **The cut-off piece must not be jammed or pressed by any means against the spinning saw blade.** If confined, i.e. using length stops, the cut-off piece could get wedged against the blade and thrown violently.
 15. **Always use a clamp or a fixture designed to properly support round material such as rods or tubing.** Rods have a tendency to roll while being cut, causing the blade to “bite” and pull the work with your hand into the blade.
 16. **Let the blade reach full speed before contacting the workpiece.** This will reduce the risk of the workpiece being thrown.
 17. **If the workpiece or blade becomes jammed, turn the mitre saw off. Wait for all moving parts to stop and disconnect the plug from the power source and/or remove the battery pack. Then work to free the jammed material.** Continued sawing with a jammed workpiece could cause loss of control or damage to the mitre saw.
 18. **After finishing the cut, release the switch, hold the saw head down and wait for the blade to stop before removing the cut-off piece.** Reaching with your hand near the coasting blade is dangerous.

19. **Hold the handle firmly when making an incomplete cut or when releasing the switch before the saw head is completely in the down position.** The braking action of the saw may cause the saw head to be suddenly pulled downward, causing a risk of injury.
20. **Only use the saw blade with the diameter that is marked on the tool or specified in the manual.** Use of an incorrectly sized blade may affect the proper guarding of the blade or guard operation which could result in serious personal injury.
21. **Only use the saw blades that are marked with a speed equal or higher than the speed marked on the tool.**
22. **Do not use the saw to cut other than wood, aluminum or similar materials.**
23. **(For European countries only)
Always use the blade which conforms to EN847-1.**
12. **Be careful not to damage the arbor, flanges (especially the installing surface) or bolt.** Damage to these parts could result in blade breakage.
13. **Make sure that the turn base is properly secured so it will not move during operation.** Use the holes in the base to fasten the saw to a stable work platform or bench. NEVER use tool where operator positioning would be awkward.
14. **Make sure the shaft lock is released before the switch is turned on.**
15. **Be sure that the blade does not contact the turn base in the lowest position.**
16. **Hold the handle firmly. Be aware that the saw moves up or down slightly during start-up and stopping.**
17. **Make sure the blade is not contacting the workpiece before the switch is turned on.**
18. **Before using the tool on an actual workpiece, let it run for a while. Watch for vibration or wobbling that could indicate poor installation or a poorly balanced blade.**
19. **Stop operation immediately if you notice anything abnormal.**
20. **Do not attempt to lock the trigger in the "ON" position.**
21. **Always use accessories recommended in this manual. Use of improper accessories such as abrasive wheels may cause an injury.**
22. **Some material contains chemicals which may be toxic. Take caution to prevent dust inhalation and skin contact. Follow material supplier safety data.**

Additional instructions

1. **Make workshop kid proof with padlocks.**
2. **Never stand on the tool.** Serious injury could occur if the tool is tipped or if the cutting tool is unintentionally contacted.
3. **Never leave the tool running unattended. Turn the power off. Do not leave tool until it comes to a complete stop.**
4. **Do not operate saw without guards in place. Check blade guard for proper closing before each use. Do not operate saw if blade guard does not move freely and close instantly. Never clamp or tie the blade guard into the open position.**
5. **Keep hands out of path of saw blade. Avoid contact with any coasting blade. It can still cause severe injury.**
6. **To reduce the risk of injury, return carriage to the full rear position after each crosscut operation.**
7. **Always secure all moving portions before carrying the tool.**
8. **Stopper pin which locks the cutter head down is for carrying and storage purposes only and not for any cutting operations.**
9. **Check the blade carefully for cracks or damage before operation. Replace cracked or damaged blade immediately. Gum and wood pitch hardened on blades slows saw and increases potential for kickback. Keep blade clean by first removing it from tool, then cleaning it with gum and pitch remover, hot water or kerosene. Never use gasoline to clean blade.**
10. **While making a slide cut, KICKBACK can occur. KICKBACK occurs when the blade binds in the workpiece during a cutting operation and the saw blade is driven rapidly towards the operator. Loss of control and serious personal injury can result. If blade begins to bind during a cutting operation, do not continue to cut and release switch immediately.**
11. **Use only flanges specified for this tool.**

Additional safety rules for the laser

1. **LASER RADIATION, DO NOT STARE INTO THE BEAM OR VIEW DIRECTLY WITH OPTICAL INSTRUMENTS, CLASS 2M LASER PRODUCT.**

SAVE THESE INSTRUCTIONS.

⚠WARNING: DO NOT let comfort or familiarity with product (gained from repeated use) replace strict adherence to safety rules for the subject product. MISUSE or failure to follow the safety rules stated in this instruction manual may cause serious personal injury.

Important safety instructions for battery cartridge

1. **Before using battery cartridge, read all instructions and cautionary markings on (1) battery charger, (2) battery, and (3) product using battery.**
2. **Do not disassemble or tamper with the battery cartridge.** It may result in a fire, excessive heat, or explosion.
3. **If operating time has become excessively shorter, stop operating immediately. It may result in a risk of overheating, possible burns and even an explosion.**

4. **If electrolyte gets into your eyes, rinse them out with clear water and seek medical attention right away. It may result in loss of your eyesight.**
5. **Do not short the battery cartridge:**
 - (1) **Do not touch the terminals with any conductive material.**
 - (2) **Avoid storing battery cartridge in a container with other metal objects such as nails, coins, etc.**
 - (3) **Do not expose battery cartridge to water or rain.**
17. **Unless the tool supports the use near high-voltage electrical power lines, do not use the battery cartridge near high-voltage electrical power lines. It may result in a malfunction or breakdown of the tool or battery cartridge.**
18. **Keep the battery away from children.**

SAVE THESE INSTRUCTIONS.

⚠ CAUTION: Only use genuine Makita batteries. Use of non-genuine Makita batteries, or batteries that have been altered, may result in the battery bursting causing fires, personal injury and damage. It will also void the Makita warranty for the Makita tool and charger.

- A battery short can cause a large current flow, overheating, possible burns and even a breakdown.**
6. **Do not store and use the tool and battery cartridge in locations where the temperature may reach or exceed 50 °C (122 °F).**
 7. **Do not incinerate the battery cartridge even if it is severely damaged or is completely worn out. The battery cartridge can explode in a fire.**
 8. **Do not nail, cut, crush, throw, drop the battery cartridge, or hit against a hard object to the battery cartridge.** Such conduct may result in a fire, excessive heat, or explosion.
 9. **Do not use a damaged battery.**
 10. **The contained lithium-ion batteries are subject to the Dangerous Goods Legislation requirements.**
 For commercial transports e.g. by third parties, forwarding agents, special requirement on packaging and labeling must be observed.
 For preparation of the item being shipped, consulting an expert for hazardous material is required.
 Please also observe possibly more detailed national regulations.
 Tape or mask off open contacts and pack up the battery in such a manner that it cannot move around in the packaging.
 11. **When disposing the battery cartridge, remove it from the tool and dispose of it in a safe place. Follow your local regulations relating to disposal of battery.**
 12. **Use the batteries only with the products specified by Makita.** Installing the batteries to non-compliant products may result in a fire, excessive heat, explosion, or leak of electrolyte.
 13. **If the tool is not used for a long period of time, the battery must be removed from the tool.**
 14. **During and after use, the battery cartridge may take on heat which can cause burns or low temperature burns. Pay attention to the handling of hot battery cartridges.**
 15. **Do not touch the terminal of the tool immediately after use as it may get hot enough to cause burns.**
 16. **Do not allow chips, dust, or soil stuck into the terminals, holes, and grooves of the battery cartridge.** It may cause heating, catching fire, burst and malfunction of the tool or battery cartridge, resulting in burns or personal injury.

Tips for maintaining maximum battery life

1. **Charge the battery cartridge before completely discharged. Always stop tool operation and charge the battery cartridge when you notice less tool power.**
2. **Never recharge a fully charged battery cartridge. Overcharging shortens the battery service life.**
3. **Charge the battery cartridge with room temperature at 10 °C - 40 °C (50 °F - 104 °F). Let a hot battery cartridge cool down before charging it.**
4. **When not using the battery cartridge, remove it from the tool or the charger.**
5. **Charge the battery cartridge if you do not use it for a long period (more than six months).**

PARTS DESCRIPTION

► Fig.2

1	Lock-off button	2	Switch trigger	3	Blade case	4	Adjusting screw (for lower limit position)
5	Adjusting bolt (for maximum cutting capacity)	6	Stopper arm	7	Dust bag	8	Bevel scale
9	Blade guard	10	Vertical vice	11	Guide fence	12	Holder
13	Lock lever (for turn base)	14	Grip (for turn base)	15	Adjusting bolt (for turn base)	16	Kerf board
17	Pointer (for miter angle)	18	Turn base	19	Holder assembly	20	Fence shaft
21	Sub-fence	-	-	-	-	-	-

► Fig.3

22	Slide pole (upper)	23	Thumb screw (for locking upper slide pole)	24	Hex wrench	25	Clamp screw (for locking holder)
26	Lever (for bevel angle adjustment)	27	Slide pole (lower)	28	Thumb screw (for locking lower slide pole)	-	-

INSTALLATION

Bench mounting

⚠WARNING: Ensure that the tool does not move on the supporting surface. Movement of the miter saw on the supporting surface while cutting may result in loss of control and serious personal injury.

1. Fix the base to a level and stable surface, screwing with two bolts. This helps to prevent from tipping and possible injury.

► Fig.4: 1. Bolt

2. Turn the adjusting bolt clockwise or counterclockwise so that it comes into a contact with the floor surface to keep the tool stable.

► Fig.5: 1. Adjusting bolt

Installing the holders and holder assemblies

NOTE: In some countries, the holders and holder assemblies may not be included in the tool package as standard accessory.

The holders and the holder assemblies support workpieces horizontally.

Tighten the fence shafts to the holder assemblies using the hex wrench.

► Fig.6: 1. Holder 2. Holder assembly 3. Fence shaft 4. Hex wrench

Install the holders and the holder assemblies on both side as shown in the figure. When installing, make sure that the fence shaft is in the same line of the guide fence when installed to the tool.

► Fig.7: 1. Holder 2. Holder assembly 3. Screw

Then tighten the screws firmly to secure the holders and the holder assemblies.

FUNCTIONAL DESCRIPTION

⚠WARNING: Always be sure that the tool is switched off and the battery cartridge is removed before adjusting or checking the functions on the tool. Failure to switch off and remove the battery cartridge may result in serious personal injury from accidental start-up.

Installing or removing battery cartridge

⚠CAUTION: Always switch off the tool before installing or removing of the battery cartridge.

⚠CAUTION: Hold the tool and the battery cartridge firmly when installing or removing battery cartridge. Failure to hold the tool and the battery cartridge firmly may cause them to slip off your hands and result in damage to the tool and battery cartridge and a personal injury.

► Fig.8: 1. Red indicator 2. Button 3. Battery cartridge

To remove the battery cartridge, slide it from the tool while sliding the button on the front of the cartridge.

To install the battery cartridge, align the tongue on the battery cartridge with the groove in the housing and slip it into place. Insert it all the way until it locks in place with a little click. If you can see the red indicator on the upper side of the button, it is not locked completely.

⚠CAUTION: Always install the battery cartridge fully until the red indicator cannot be seen. If not, it may accidentally fall out of the tool, causing injury to you or someone around you.

⚠CAUTION: Do not install the battery cartridge forcibly. If the cartridge does not slide in easily, it is not being inserted correctly.

NOTE: The tool does not work with only one battery cartridge.

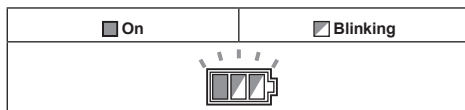
Tool / battery protection system

The tool is equipped with a tool/battery protection system. This system automatically cuts off power to the motor to extend tool and battery life. The tool will automatically stop during operation if the tool or battery is placed under one of the following conditions:

Overload protection

When the tool is operated in a manner that causes it to draw an abnormally high current, the tool automatically stops without any indication. In this situation, turn the tool off and stop the application that caused the tool to become overloaded. Then turn the tool on to restart.

Overheat protection



When the tool is overheated, the tool stops automatically, and the battery indicator blinks about 60 seconds. In this situation, let the tool cool down before turning the tool on again.

Overdischarge protection

When the battery capacity becomes low, the tool stops automatically. If the product does not operate even when the switches are operated, remove the batteries from the tool and charge the batteries.

Indicating the remaining battery capacity

► **Fig.9:** 1. Battery indicator 2. Check button

Press the check button to indicate the remaining battery capacities. The battery indicators correspond to each battery.

Battery indicator status			Remaining battery capacity
On	Off	Blinking	
			50% to 100%
			20% to 50%
			0% to 20%
			Charge the battery

Indicating the remaining battery capacity

Only for battery cartridges with the indicator

► **Fig.10:** 1. Indicator lamps 2. Check button

Press the check button on the battery cartridge to indicate the remaining battery capacity. The indicator lamps light up for a few seconds.

Indicator lamps			Remaining capacity
Lighted	Off	Blinking	
			75% to 100%
			50% to 75%
			25% to 50%
			0% to 25%
			Charge the battery.
			The battery may have malfunctioned.

NOTE: Depending on the conditions of use and the ambient temperature, the indication may differ slightly from the actual capacity.

NOTE: The first (far left) indicator lamp will blink when the battery protection system works.

Automatic speed change function

► **Fig.11:** 1. Mode indicator

Mode indicator status	Operation mode
	High speed mode
	High torque mode

This tool has “high speed mode” and “high torque mode”. It automatically changes operation mode depending on the work load. When mode indicator lights up during operation, the tool is in high torque mode.

Stopper pin

CAUTION: Always hold the handle when releasing the stopper pin. Otherwise the handle springs up and it may result in personal injury.

To release the stopper pin, keep applying a slight downward pressure on the handle and then pulling the stopper pin.

► **Fig.12:** 1. Stopper pin

Blade guard

⚠ WARNING: Never defeat or remove the blade guard or the spring which attaches to the guard. An exposed blade as a result of defeated guarding may result in serious personal injury during operation.

⚠ WARNING: Never use the tool if the blade guard or spring are damaged, faulty or removed. Operation of the tool with a damaged, faulty or removed guard may result in serious personal injury.

⚠ CAUTION: Always maintain the blade guard in good condition for safe operation. Stop the operation immediately if there are any irregularity of the blade guard. Check to assure spring loaded return action of guard.

► **Fig.13:** 1. Blade guard

When lowering the handle, the blade guard raises automatically. The guard is spring loaded so it returns to its original position when the cut is completed and the handle is raised.

Cleaning

► **Fig.14:** 1. Blade guard

If the transparent blade guard becomes dirty, or sawdust adheres to it in such a way that the blade and/or workpiece is no longer easily visible, remove the battery cartridge and clean the guard carefully with a damp cloth. Do not use solvents or any petroleum-based cleaners on the plastic guard because this may cause damage to the guard.

For cleaning, raise the blade guard by referring to "Installing or removing saw blade".

After cleaning, make sure to return the blade and center cover and tighten the hex socket bolt.

1. Make sure that the tool is switched off and the battery cartridges are removed.
2. Turn the hex socket bolt counterclockwise using the supplied hex wrench with holding the center cover.
3. Raise the blade guard and center cover.
4. When cleaning is complete, return the center cover and tighten the hex socket bolt by performing the steps above in reverse.

⚠ WARNING: Do not remove spring holding blade guard. If guard becomes damaged in course of time or UV light exposure, contact a Makita service center for replacement. **DO NOT DEFEAT OR REMOVE GUARD.**

Positioning kerf board

This tool is provided with the kerf boards in the turn base to minimize tearing on the exit side of a cut. The kerf boards are factory adjusted so that the saw blade does not contact the kerf boards. Before use, adjust the kerf boards as follows:

1. Make sure to remove the battery cartridge. Then, loosen all the screws (2 each on left and right) securing the kerf boards.

► **Fig.15:** 1. Kerf board 2. Screw

2. Re-tighten them only to the extent that the kerf boards can still be easily moved by hand.
3. Lower the handle fully and push in the stopper pin to lock the handle in the lowered position.
4. Loosen two clamp screws which secure the slide poles.
► **Fig.16:** 1. Thumb screw
5. Pull the carriage toward you fully.
6. Adjust the kerf boards so that the kerf boards just contact the sides of the blade teeth.
► **Fig.17**
- **Fig.18:** 1. Saw blade 2. Blade teeth 3. Kerf board 4. Left bevel cut 5. Straight cut
7. Tighten the front screws (do not tighten firmly).
8. Push the carriage toward the guide fence fully and adjust the kerf boards so that the kerf boards just contact the sides of blade teeth.
9. Tighten the rear screws (do not tighten firmly).
10. After adjusting the kerf boards, release the stopper pin and raise the handle. Then tighten all the screws securely.

NOTICE: After setting the bevel angle ensure that the kerf boards are adjusted properly. Correct adjustment of the kerf boards helps to provide proper support of the workpiece and minimizing workpiece tear out.

Maintaining maximum cutting capacity

This tool is factory adjusted to provide the maximum cutting capacity for a 190 mm saw blade.

When installing a new circular saw blade, always check the lower limit position of the circular saw blade, and if necessary, adjust it as follows:

1. Remove the battery cartridge. Then, push the carriage toward the guide fence fully and lower the handle completely.

► **Fig.19:** 1. Adjusting bolt 2. Guide fence

2. Use the hex wrench to turn the adjusting bolt until the circular saw blade comes slightly below the cross section of the guide fence and the top surface of the turn base.

► **Fig.20**

3. Rotate the blade by hand while holding the handle all the way down to be sure that the circular saw blade does not contact any part of the lower base. Re-adjust slightly, if necessary.

⚠ WARNING: After installing a new circular saw blade and with the battery cartridge removed, always be sure that the circular saw blade does not contact any part of the lower base when the handle is lowered completely. If a circular saw blade makes contact with the base, it may cause kickback and result in serious personal injury.

► **Fig.21**

Stopper arm

The lower limit position of the blade can be easily adjusted with the stopper arm. To adjust it, move the stopper arm in the direction of the arrow as shown in the figure. Turn the adjusting screw and press down the handle fully to check the result.

► **Fig.22:** 1. Adjusting screw 2. Stopper arm

Sub-fence

Country specific

⚠ CAUTION: When performing left bevel cuts, flip the sub-fence outward. Otherwise, it may contact the blade or a part of the tool, and may result in serious injury to the operator.

► **Fig.23:** 1. Sub-fence

This tool is equipped with the sub-fence. Usually position the sub-fence inside. However, when performing left bevel cuts, flip it outward.

Adjusting the miter angle

► **Fig.24:** 1. Turn base 2. Lock lever 3. Miter scale 4. Pointer 5. Grip

1. Loosen the grip counterclockwise.
2. Press down and hold the lock lever, and adjust the angle of the turn base. Use the pointer and the miter scale as a guide.
3. Tighten the grip clockwise firmly.

⚠ CAUTION: After changing the miter angle, always secure the turn base by tightening the grip firmly.

NOTICE: When turning the turn base, be sure to raise the handle fully.

Adjusting the bevel angle

To adjust the bevel angle, loosen the lever at the rear of the tool counterclockwise.

► **Fig.25:** 1. Lever 2. Release button

To tilt the blade to the left, hold the handle and tilt the carriage. Use the bevel scale and the pointer as a guide. Then tighten the lever clockwise firmly to secure the arm.

► **Fig.26:** 1. Pointer 2. Bevel scale 3. Arm

To tilt the blade to the right, hold the handle and tilt the carriage to the left slightly, and push the release button. With the release button pressed, tilt the saw blade to the right. Then tighten the lever.

⚠ CAUTION: After changing the bevel angle, always secure the arm by tightening the lever clockwise.

NOTICE: When tilting the saw blade be sure the handle is fully raised.

NOTICE: When changing bevel angles, be sure to position the kerf boards appropriately as explained in the "Positioning kerf boards" section.

Adjusting the lever position

If the lever does not provide full tightening in course of time, change the position of the lever. The lever can be repositioned at every 30° angle.

Loosen and remove the screw that secures the lever. Remove the lever and install it again so that it points slightly above the horizontal. Then, tighten the lever with the screw firmly.

► **Fig.27:** 1. Lever 2. Screw

Switch action

⚠ WARNING: Before installing the battery cartridge on the tool, always check to see that the switch trigger actuates properly and returns to the "OFF" position when released. Operating a tool with a switch that does not actuate properly can lead to loss of control and serious personal injury.

⚠ WARNING: Do not use a lock with a shank or cable any smaller than 6.35 mm (1/4") in diameter. A smaller shank or cable may not properly lock the tool in the off position and unintentional operation may occur resulting in serious personal injury.

⚠ WARNING: NEVER use tool without a fully operative switch trigger. Any tool with an inoperative switch is HIGHLY DANGEROUS and must be repaired before further usage or serious personal injury may occur.

⚠ WARNING: For your safety, this tool is equipped with a lock-off button which prevents the tool from unintended starting. NEVER use the tool if it runs when you simply pull the switch trigger without pressing the lock-off button. A switch in need of repair may result in unintentional operation and serious personal injury. Return tool to a Makita service center for proper repairs BEFORE further usage.

⚠ WARNING: NEVER defeat the lock-off button by taping down or some other means. A switch with a negated lock-off button may result in unintentional operation and serious personal injury.

NOTICE: Do not pull the switch trigger hard without pressing in the lock-off button. This can cause switch breakage.

To prevent the switch trigger from being accidentally pulled, a lock-off button is provided. To start the tool, press in the lock-off button and pull the switch trigger. Release the switch trigger to stop.

The lock-off button can be pressed from either right or left.

A hole is provided in the switch trigger for insertion of a padlock to lock the tool off.

► **Fig.28:** 1. Lock-off button 2. Switch trigger 3. Hole for padlock

ASSEMBLY

⚠ WARNING: Always be sure that the tool is switched off and the battery cartridge is removed before working on the tool. Failure to switch off and remove the battery cartridge may result in serious personal injury.

Hex wrench storage

The hex wrench is stored as shown in the figure. When the hex wrench is needed it can be pulled out of the wrench holder.

After using the hex wrench it can be stored by returning it to the wrench holder.

► **Fig.29:** 1. Wrench holder 2. Hex wrench

Installing or removing saw blade

⚠ WARNING: Always be sure that the tool is switched off and the battery cartridge is removed before installing or removing the blade. Accidental start up of the tool may result in serious personal injury.

⚠ CAUTION: Use only the Makita hex wrench provided to install or remove the blade. Failure to do so may result in overtightening or insufficient tightening of the hex socket bolt. This could cause an injury.

To remove the blade, perform the following steps:

1. Lock the handle in the raised position by pushing in the stopper pin.

► **Fig.30:** 1. Stopper pin

2. Use the hex wrench to loosen the hex socket bolt holding the center cover by turning it counterclockwise. Then, raise the blade guard and center cover.

► **Fig.31:** 1. Center cover 2. Hex socket bolt 3. Hex wrench 4. Blade guard

3. Press the shaft lock to lock the spindle and use the hex wrench to loosen the hex socket bolt clockwise. Then remove the hex socket bolt of the spindle, outer flange and blade.

► **Fig.32:** 1. Shaft lock 2. Hex socket bolt 3. Outer flange

4. If the inner flange is removed, install it on the spindle with its blade mounting part facing the blade. If the flange is installed incorrectly the flange will rub against the machine.

► **Fig.33:** 1. Outer flange 2. Saw blade 3. Inner flange 4. Hex socket bolt (left-handed) 5. Spindle 6. Blade mounting part

To install the blade, perform the following steps:

1. Mount the blade carefully onto the inner flange. Make sure that the direction of the arrow on the blade matches the direction of the arrow on the blade case.

► **Fig.34:** 1. Saw blade 2. Arrow

2. Install the outer flange and hex socket bolt, and then use the hex wrench to tighten the hex socket bolt (left-handed) of the spindle securely counterclockwise while pressing the shaft lock.

3. Return the blade guard and center cover to its original position. Then tighten the hex socket bolt of the center cover clockwise to secure the center cover.

4. Release the handle from the raised position by pulling the stopper pin. Lower the handle to make sure that the blade guard moves properly.

5. Make sure the shaft lock has released spindle before making cut.

For tool with the inner flange for 15.88 mm hole-diameter saw blade

Country specific

Mount the inner flange with its recessed side facing outward onto the mounting shaft and then place circular saw blade (with the ring attached if needed), outer flange and hex bolt.

For tool without the ring

► **Fig.35:** 1. Outer flange 2. Saw blade 3. Inner flange 4. Hex socket bolt (left-handed) 5. Spindle

For tool with the ring

► **Fig.36:** 1. Outer flange 2. Saw blade 3. Inner flange 4. Hex socket bolt (left-handed) 5. Ring 6. Spindle

⚠ WARNING: If the ring is needed to mount the blade onto the spindle, always be sure that the correct ring for the blade's arbor hole you intend to use is installed between the inner and the outer flanges. Use of the incorrect arbor hole ring may result in the improper mounting of the blade causing blade movement and severe vibration resulting in possible loss of control during operation and in serious personal injury.

For tool with the inner flange for other than 20 mm or 15.88 mm hole-diameter saw blade

Country specific

The inner flange has a certain diameter of a blade mounting part on one side of it and a different diameter of blade mounting part on the other side. Choose a correct side on which blade mounting part fits into the saw blade hole perfectly.

► **Fig.37:** 1. Outer flange 2. Saw blade 3. Inner flange 4. Hex socket bolt (left-handed) 5. Spindle 6. Blade mounting part

⚠ CAUTION: Make sure that the blade mounting part "a" on the inner flange that is positioned outside fits into the saw blade hole "a" perfectly. Mounting the blade on the wrong side can result in the dangerous vibration.

Connecting a vacuum cleaner

When you wish to perform clean cutting operation, connect a Makita vacuum cleaner.

► Fig.38

Dust bag

Optional accessory

The use of the dust bag makes cutting operations cleaner and dust collection easier.

To attach the dust bag, fit it onto the dust nozzle.

To attach the fastener, align the top end of the fastener with the triangular mark on the dust bag.

When the dust bag is about half full, remove the dust bag from the tool and pull the fastener out. Empty the dust bag of its contents, tapping it lightly so as to remove particles adhering to the insides which might hamper further collection.

► Fig.39: 1. Dust bag 2. Dust nozzle 3. Fastener

Securing workpiece

⚠WARNING: It is extremely important to always secure the workpiece correctly with the proper type of vise. Failure to do so may result in serious personal injury and cause damage to the tool and/or the workpiece.

⚠WARNING: When cutting a workpiece that is longer than the support base of the saw, support the entire length of the material beyond the support base and at the same height to keep the material level. Proper workpiece support helps to avoid blade pinch and possible kickback which may result in serious personal injury. Do not rely solely on the vertical vise and/or horizontal vise to secure the workpiece. Thin material tends to sag. Support workpiece over its entire length to avoid blade pinch and possible KICKBACK.

► Fig.40: 1. Support 2. Turn base

Vertical vise

⚠WARNING: Secure the workpiece firmly against the turn base and guide fence with the vise during all operations. Otherwise the material may move during the cutting operation, cause damage to the blade, and be thrown which may result in loss of control and serious personal injury.

Install the vertical vise on either the left or right side of the guide fence or the holder assembly. Insert the vise rod into the hole in the guide fence or the holder assembly and tighten the lower screw to secure the vise rod.

► Fig.41: 1. Vise arm 2. Vise rod 3. Guide fence 4. Holder 5. Holder assembly 6. Vise knob 7. Lower screw 8. Upper screw

Position the vise arm according to the thickness and shape of the workpiece and secure the vise arm by tightening the upper screw. If the upper screw contacts the guide fence, install the upper screw on the opposite side of vise arm. Make sure that no part of the tool contacts the vise when lowering the handle fully and pulling or pushing the carriage all the way. If some part contacts the vise, re-position the vise.

Press the workpiece flat against the guide fence and the turn base. Position the workpiece at the desired cutting position and secure it firmly by tightening the vise knob.

Horizontal vise

Optional accessory

⚠WARNING: Grip the workpiece only when the indicator is at the topmost position. Failure to do so may result in insufficient securing of the workpiece. This may cause the workpiece to be thrown, cause damage to the blade or cause the loss of control, which may result in personal injury.

► Fig.42: 1. Vise knob 2. Indicator 3. Vise shaft 4. Base

The horizontal vise can be installed on the left side of the base.

By turning the vise knob counterclockwise, the screw is released and the vise shaft can be moved rapidly in and out. By turning the vise knob clockwise, the screw remains secured.

To grip the workpiece, turn the vise knob gently clockwise until the indicator reaches its topmost position, then fasten securely. If the vise knob is forced in or pulled out while being turned clockwise, the indicator may stop at an angle. In this case, turn the vise knob back counterclockwise until the screw is released, and then turn it again gently clockwise.

The maximum capacity of the horizontal vise is 120 mm width.

Holders and holder assembly

Optional accessory

⚠CAUTION: For the tool equipped with the holders and the holder assemblies as standard accessories, this type of use is not permitted due to the country regulations.

⚠WARNING: Always support a long workpiece so it is level with the top surface of the turn base for an accurate cut and to prevent dangerous loss of tool control. Proper workpiece support helps to avoid blade pinch and possible kickback which may result in serious personal injury.

The holders and the holder assembly (optional accessory) can be installed on either side as a convenient means of supporting workpieces horizontally.

Install them on the side of the tool, then tighten the screws firmly to secure them.

► Fig.43: 1. Holder 2. Holder assembly

When cutting long workpieces, use the holder-rod assembly (optional accessory). It consists of two holder assemblies and two rods 12.

► Fig.44: 1. Holder assembly 2. Rod 12

OPERATION

⚠WARNING: Make sure the blade is not contacting the workpiece, etc. before the switch is turned on. Turning the tool on with the blade in contact with the workpiece may result in kickback and serious personal injury.

⚠WARNING: After a cutting operation, do not raise the blade until it has come to a complete stop. The raising of a coasting blade may result in serious personal injury and damage to the workpiece.

⚠WARNING: Do not touch the clamp screws which secure the slide poles while the saw blade is rotating. Otherwise the tool may lose control and result in personal injury.

⚠CAUTION: Do not release the saw head uncontrolled from the fully down position. Uncontrolled saw head may hit you and it will result in personal injury.

NOTICE: Before use, be sure to release the handle from the lowered position by pulling the stopper pin.

NOTICE: Do not apply excessive pressure on the handle when cutting. Too much force may result in overload of the motor and/or decreased cutting efficiency. Press down handle with only as much force as necessary for smooth cutting and without significant decrease in blade speed.

NOTICE: Gently press down the handle to perform the cut. If the handle is pressed down with force or if lateral force is applied, the blade may vibrate and leave a mark (saw mark) in the workpiece and the precision of the cut may be impaired.

NOTICE: During a slide cut, gently push the carriage toward the guide fence without stopping. If the carriage movement stops during the cut, a mark may be left in the workpiece and the precision of the cut may be impaired.

Press cutting (cutting small workpieces)

⚠WARNING: Firmly tighten two clamp screws which secure the slide poles clockwise so that the carriage will not move during operation. Insufficient tightening of the locking screw may cause possible kickback which may result in serious personal injury.

► Fig.45: 1. Thumb screw 2. Holder assembly

Workpieces up to 52 mm high and 97 mm wide can be cut in the following manner.

1. Push the carriage toward the guide fence fully and tighten two clamp screws which secure the slide poles clockwise to secure the carriage.
2. Secure the workpiece with the proper type of vise.
3. Switch on the tool without the blade making any contact and wait until the blade attains full speed before lowering.

4. Gently lower the handle to the fully lowered position to cut the workpiece.

5. When the cut is completed, switch off the tool and wait until the blade has come to a complete stop before returning the blade to its fully elevated position.

Slide (push) cutting (cutting wide workpieces)

⚠WARNING: Whenever performing a slide cut, first pull the carriage full towards you and press the handle all the way down, then push the carriage toward the guide fence. Never start the cut with the carriage not pulled fully toward you. If you perform the slide cut without the carriage pulled fully toward you unexpected kickback may occur and serious personal injury may result.

⚠WARNING: Never attempt to perform a slide cut by pulling the carriage towards you. Pulling the carriage towards you while cutting may cause unexpected kickback resulting in possible serious personal injury.

⚠WARNING: Never perform the slide cut with the handle locked in the lowered position.

⚠WARNING: Never loosen the knob which secures the carriage while the blade is rotating. A loose carriage while cutting may cause unexpected kickback resulting in possible serious personal injury.

► Fig.46: 1. Thumb screw 2. Holder assembly

1. Loosen two clamp screws which secure the slide poles counterclockwise so that the carriage can slide freely.
2. Secure the workpiece with the proper type of vise.
3. Pull the carriage toward you fully.
4. Switch on the tool without the blade making any contact and wait until the blade attains full speed.
5. Press the handle down and push the carriage toward the guide fence and through the workpiece.
6. When the cut is completed, switch off the tool and wait until the blade has come to a complete stop before returning the blade to its fully elevated position.

Miter cutting

Refer to the section for adjusting the miter angle.

Bevel cut

⚠ WARNING: After setting the blade for a bevel cut, before operating the tool ensure that the carriage and blade will have free travel throughout the entire range of the intended cut. Interruption of the carriage or blade travel during the cutting operation may result in kickback and serious personal injury.

⚠ WARNING: While making a bevel cut keep hands out of the path of the blade. The angle of the blade may confuse the operator as to the actual blade path while cutting and contact with the blade will result in serious personal injury

⚠ WARNING: The blade should not be raised until it has come to a complete stop. During a bevel cut the piece cut off may come to rest against the blade. If the blade is raised while it is rotating the cut-off piece maybe ejected by the blade causing the material to fragment which may result in serious personal injury.

⚠ CAUTION: (Only for tools with sub-fence)
Always set the sub-fence outside when performing left bevel cuts.

► Fig.47: 1. Holder assembly

- Loosen the lever and tilt the saw blade to set the bevel angle (Refer to the previously covered "Adjusting the bevel angle"). Be sure to retighten the lever firmly to secure the selected bevel angle safely.
- Secure the workpiece with a vise.
- Pull the carriage toward you fully.
- Switch on the tool without the blade making any contact and wait until the blade attains full speed.
- Gently lower the handle to the fully lowered position while applying pressure in parallel with the blade and **push the carriage toward the guide fence to cut the workpiece.**
- When the cut is completed, switch off the tool and **wait until the blade has come to a complete stop** before returning the blade to its fully elevated position.

NOTICE: When pressing down the handle, apply pressure in parallel with the blade. If a force is applied perpendicularly to the turn base or if the pressure direction is changed during a cut, the precision of the cut will be impaired.

Compound cutting

Compound cutting is the process in which a bevel angle is made at the same time in which a miter angle is being cut on a workpiece. Compound cutting can be performed at the angle shown in the table.

Miter angle	Bevel angle
Left and Right 45°	Left 0° - 45°
Right 50°	Left 0° - 40°
Right 55°	Left 0° - 30°
Right 57°	Left 0° - 25°

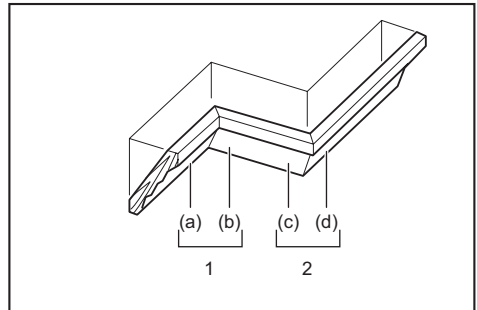
When performing compound cutting, refer to "Press cutting", "Slide cutting", "Miter cutting" and "Bevel cut" explanations.

Cutting crown and cove moldings

Crown and cove moldings can be cut on a compound miter saw with the moldings laid flat on the turn base. There are two common types of crown moldings and one type of cove moldings; 52/38° wall angle crown molding, 45° wall angle crown molding and 45° wall angle cove molding.

► Fig.48: 1. 52/38° type crown molding 2. 45° type crown molding 3. 45° type cove molding

There are crown and cove molding joints which are made to fit "Inside" 90° corners ((a) and (b) in the figure) and "Outside" 90° corners ((c) and (d) in the figure.)



1. Inside corner 2. Outside corner

► Fig.49: 1. Inside corner 2. Outside corner

Measuring

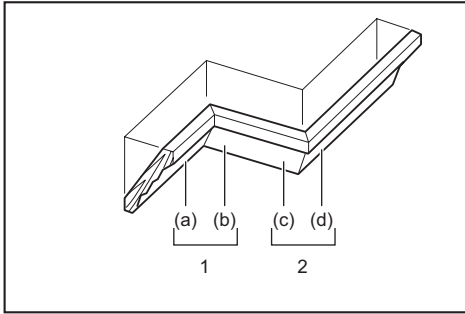
Measure the wall width, and adjust the width of the workpiece according to it. Always make sure that width of the workpiece's wall contact edge is the same as wall length.

► Fig.50: 1. Workpiece 2. Wall width 3. Width of the workpiece 4. Wall contact edge

Always use several pieces for test cuts to check the saw angles.

When cutting crown and cove moldings, set the bevel angle and miter angle as indicated in the table (A) and position the moldings on the top surface of the saw base as indicated in the table (B).

In the case of left bevel cut



1. Inside corner 2. Outside corner

Table (A)

-	Molding position in the figure	Bevel angle		Miter angle	
		52/38° type	45° type	52/38° type	45° type
For inside corner	(a)	Left 33.9°	Left 30°	Right 31.6°	Right 35.3°
	(b)			Left 31.6°	Left 35.3°
For outside corner	(c)			Right 31.6°	Right 35.3°
	(d)				

Table (B)

-	Molding position in the figure	Molding edge against guide fence	Finished piece
For inside corner	(a)	Ceiling contact edge should be against guide fence.	Finished piece will be on the Left side of blade.
	(b)	Wall contact edge should be against guide fence.	
For outside corner	(c)	Ceiling contact edge should be against guide fence.	Finished piece will be on the Right side of blade.
	(d)		

Example:

In the case of cutting 52/38° type crown molding for position (a) in the above figure:

- Tilt and secure bevel angle setting to 33.9° LEFT.
- Adjust and secure miter angle setting to 31.6° RIGHT.
- Lay crown molding with its broad back (hidden) surface down on the turn base with its CEILING CONTACT EDGE against the guide fence on the saw.
- The finished piece to be used will always be on the LEFT side of the blade after the cut has been made.

Cutting aluminum extrusion

- **Fig.51:** 1. Vise 2. Spacer block 3. Guide fence
4. Aluminum extrusion 5. Spacer block

When securing aluminum extrusions, use spacer blocks or pieces of scrap as shown in the figure to prevent deformation of the aluminum. Use a cutting lubricant when cutting the aluminum extrusion to prevent build-up of the aluminum material on the blade.

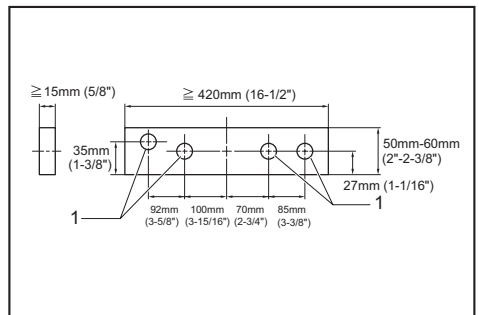
CAUTION: Never attempt to cut thick or round aluminum extrusions. Thick aluminum extrusions may come loose during operation and round aluminum extrusions cannot be secured firmly with this tool.

Wood facing

WARNING: Use screws to attach the wood facing to the guide fence. The screws should be installed so that the screw heads are below the surface of the wood facing so that they will not interfere with the positioning of the material being cut. Misalignment of the material being cut can cause unexpected movement during the cutting operation which may result in a loss of control and serious personal injury.

CAUTION: Use the straight wood of even thickness as the wood facing.

Use of wood facing helps to assure splinter-free cuts in workpieces. Attach a wood facing to the guide fence using the holes in the guide fence. See the figure concerning the dimensions for a suggested wood facing.



1. Holes

NOTICE: When the wood facing is attached, do not turn the turn base with the handle lowered. The blade and/or the wood facing will be damaged.

Cutting repetitive lengths

CAUTION: For the tool equipped with the holders and the holder assemblies as standard accessories, this type of use is not permitted due to the country regulations.

When cutting several pieces of stock to the same length, ranging from 220 mm to 385 mm, use the set plate (optional accessory). Install the set plate on the holder (optional accessory) as shown in the figure.

► **Fig.52:** 1. Set plate 2. Holder 3. Screw

Align the cutting line on your workpiece with either the left or right side of the groove in the kerf board, and while holding the workpiece, move the set plate flush against the end of the workpiece. Then secure the set plate with the screw.

When the set plate is not used, loosen the screw and turn the set plate out of the way.

NOTE: Use of the holder-rod assembly (optional accessory) allows cutting repetitive lengths up to 2,200 mm approximately.

Groove cutting

WARNING: Do not attempt to perform this type of cut by using a wider type blade or dado blade. Attempting to make a groove cut with a wider blade or dado blade could lead to unexpected cutting results and kickback which may result in serious personal injury.

WARNING: Be sure to return the stopper arm to the original position when performing other than groove cutting. Attempting to make cuts with the stopper arm in the incorrect position could lead to unexpected cutting results and kickback which may result in serious personal injury.

For a dado type cut, perform as follows:

1. Adjust the lower limit position of the circular saw blade using the adjusting screw and the stopper arm to limit the cutting depth of the circular saw blade. Refer to the section for stopper arm.
2. After adjusting the lower limit position of the circular saw blade, cut parallel grooves across the width of the workpiece using a slide (push) cut.
► **Fig.53:** 1. Cut grooves with blade
3. Remove the workpiece material between the grooves with a chisel.

Carrying tool

WARNING: Stopper pin is only for carrying and storage purposes and should never be used for any cutting operations. The use of the stopper pin for cutting operations may cause unexpected movement of the saw blade resulting in kickback and serious personal injury.

CAUTION: Always secure all moving portions before carrying the tool. If portions of the tool move or slide while being carried loss of control or balance may occur resulting in personal injury.

► **Fig.54**

1. Remove the battery cartridge.
2. Secure the blade at 0° bevel angle and the turn base at the full right miter angle position.
3. Secure the slide poles so that the lower slide pole is locked in the position of the carriage fully pulled to operator and the upper poles are locked in the position of the carriage fully pushed forward to the guide fence.
4. Lower the handle fully and lock it in the lowered position by pushing in the stopper pin.
5. Carry the tool by holding both sides of the tool base. If you remove the holders, dust bag, etc., you can carry the tool more easily.

MAINTENANCE

WARNING: Always be sure that the blade is sharp and clean for the best and safest performance. Attempting a cut with a dull and /or dirty blade may cause kickback and result in a serious personal injury.

CAUTION: Always be sure that the tool is switched off and the battery cartridge is removed before attempting to perform inspection or maintenance.

NOTICE: Never use gasoline, benzine, thinner, alcohol or the like. Discoloration, deformation or cracks may result.

Adjusting the cutting angle

This tool is carefully adjusted and aligned at the factory, but rough handling may have affected the alignment. If your tool is not aligned properly, perform the following:

Miter angle

1. Push the carriage toward the guide fence and tighten two clamp screws to secure the carriage.
2. Rotate the turn base until the pointer indicates 0° on the miter scale.
3. Rotate the turn base slightly clockwise and counterclockwise to seat the turn base in the 0° miter notch. (Leave as it is if the pointer does not indicate 0°.)

4. Loosen the hex socket bolts securing the guide fence using the hex wrench.

► **Fig.55:** 1. Guide fence 2. Hex socket bolt

5. Lower the handle fully and lock it in the lowered position by pushing in the stopper pin.

6. Adjust the guide fence until it makes a perpendicular angle with the blade using a triangular rule, try-square, etc. Then securely tighten the hex socket bolts on the guide fence in order starting from the right side.
► **Fig.56:** 1. Triangular rule 2. Guide fence

7. Make sure that the pointer indicates 0° on the miter scale. If the pointer does not indicate 0°, loosen the screw which secures the pointer and adjust the pointer so that it indicates 0°.

► **Fig.57:** 1. Screw 2. Miter scale 3. Pointer

Bevel angle

0° bevel angle

► **Fig.58:** 1. Lever 2. Arm holder 3. 0° degree bevel angle adjusting bolt 4. Arm 5. Release button

1. Push the carriage toward the guide fence and tighten two clamp screws to secure the carriage.

2. Lower the handle fully and lock it in the lowered position by pushing in the stopper pin.

3. Loosen the lever at the rear of the tool.

4. Turn the 0° bevel angle adjusting bolt (lower bolt) on the right side of the arm two or three revolutions counterclockwise to tilt the blade to the right.

5. Turn the 0° bevel angle adjusting bolt clockwise carefully until the side of the blade makes a perpendicular angle with the top surface of the turn base. Use the triangular rule, try-square, etc. as a guide. Then tighten the lever securely.

► **Fig.59:** 1. Triangular rule 2. Saw blade 3. Top surface of turn table

6. Make sure that the pointer on the arm indicates 0° on the bevel scale. If it does not indicate 0°, loosen the screw which secures the pointer and adjust the pointer so that it indicates 0°.

► **Fig.60:** 1. Bevel scale 2. Pointer 3. Screw

45° bevel angle

► **Fig.61:** 1. Left 45° bevel angle adjusting bolt

Adjust the 45° bevel angle only after performing 0° bevel angle adjustment.

1. Loosen the lever and tilt the blade to the left fully.

2. Make sure that the pointer on the arm indicates 45° on the bevel scale. If the pointer does not indicate 45°, turn the 45° bevel angle adjusting bolt (upper bolt) on the right side of the arm until the pointer indicates 45°.

After use

After use, wipe off chips and dust adhering to the tool with a cloth or the like. Keep the blade guard clean according to the directions in the previously covered section titled "Blade guard". Lubricate the sliding portions with machine oil to prevent rust.

When storing the tool, pull the carriage toward you fully so that the slide pole is thoroughly inserted into the turn base.

To maintain product SAFETY and RELIABILITY, repairs, any other maintenance or adjustment should be performed by Makita Authorized or Factory Service Centers, always using Makita replacement parts.

OPTIONAL ACCESSORIES

⚠WARNING: These Makita accessories or attachments are recommended for use with your Makita tool specified in this manual. The use of any other accessories or attachments may result in serious personal injury.

⚠WARNING: Only use the Makita accessory or attachment for its stated purpose. Misuse of an accessory or attachment may result in serious personal injury.

If you need any assistance for more details regarding these accessories, ask your local Makita Service Center.

- Carbide-tipped saw blades (Refer to our website or contact your local Makita dealer for the correct saw blades to be used for the material to be cut.)
- Vise assembly (Horizontal vise)
- Vertical vise
- Holder assembly
- Holder rod assembly
- Set plate
- Dust bag
- Triangular rule
- Hex wrench
- Makita genuine battery and charger

NOTE: Some items in the list may be included in the tool package as standard accessories. They may differ from country to country.

SPESIFIKASI

Model:	DLS714
Diameter mata pisau	190 mm
Diameter lubang (arbor) (negara tertentu)	20 mm atau 15,88 mm
Ketebalan maks. goresan mata gergaji	2,2 mm
Sudut miter maksimal	Kiri 47°, Kanan 57°
Sudut siku-siku maksimal	Kiri 45°, Kanan 5°
Kecepatan tanpa beban	5.700 min ⁻¹
Dimensi (P x L x T)	655 mm x 430 mm x 445 mm
Tegangan terukur	D.C.36 V
Berat bersih	14,4 - 14,7 kg

- Karena kesinambungan program penelitian dan pengembangan kami, spesifikasi yang disebutkan di sini dapat berubah tanpa pemberitahuan.
- Spesifikasi dapat berbeda dari satu negara ke negara lainnya.
- Berat alat mungkin berbeda tergantung perangkat tambahan yang dipasang, termasuk kartrid baterai. Kombinasi alat terberat dan teringan, sesuai Prosedur EPTA 01/2014, ditunjukkan pada tabel.

Kartrid dan pengisi daya baterai yang dapat digunakan

Kartrid baterai	BL1815N / BL1820B / BL1830B / BL1840B / BL1850B / BL1860B
Pengisi daya	DC18RC / DC18RD / DC18RE / DC18SD / DC18SE / DC18SF / DC18SH

- Beberapa kartrid baterai dan pengisi daya yang tercantum di atas mungkin tidak tersedia, tergantung wilayah tempat tinggal Anda.

⚠️ PERINGATAN: Hanya gunakan kartrid dan pengisi daya baterai yang tercantum di atas. Penggunaan kartrid dan pengisi daya baterai lain dapat menimbulkan risiko cedera dan/atau kebakaran.

Kapasitas pemotongan (T x L) dengan diameter mata pisau 190 mm

Sudut miter	Sudut siku-siku		
	45° (kiri)	0°	5° (kanan)
0°	40 mm x 300 mm	52 mm x 300 mm	40 mm x 300 mm
	45 mm x 265 mm (CATATAN 1)	60 mm x 265 mm (CATATAN 1)	–
45° (kiri dan kanan)	40 mm x 212 mm	52 mm x 212 mm	–
	45 mm x 185 mm (CATATAN 2)	60 mm x 185 mm (CATATAN 2)	–
57° (kanan)	–	52 mm x 163 mm	–
	–	60 mm x 145 mm (CATATAN 3)	–

1. Kapasitas Pemotongan Maksimal ketika menggunakan permukaan kayu dengan ketebalan 20 mm
2. Kapasitas Pemotongan Maksimal ketika menggunakan permukaan kayu dengan ketebalan 15 mm
3. Kapasitas Pemotongan Maksimal ketika menggunakan permukaan kayu dengan ketebalan 10 mm

Simbol

Berikut ini adalah simbol-simbol yang dapat digunakan pada peralatan ini. Pastikan Anda memahami arti masing-masing simbol sebelum menggunakan peralatan.



Baca petunjuk penggunaan.



Untuk menghindari cedera akibat debu yang beterbangan, tetap tahan kepala gergaji ke bawah, setelah melakukan pemotongan, sampai mata pisau benar-benar berhenti.



Ketika melakukan pemotongan menyerong, pertama tarik mesin secara penuh dan tekan pegangan ke bawah, lalu tekan mesin ke arah pembatas pemandu.



Jangan mendekatkan tangan atau jari ke mata pisau.



Selalu setel SUB PEMBATAS ke posisi kiri ketika melakukan pemotongan siku-siku kiri. Kelalaian dalam melakukannya dapat menyebabkan cedera serius pada operator.



Ni-MH
Li-Ion

Hanya untuk negara-negara UE
Akibat adanya komponen berbahaya dalam peralatan, limbah peralatan listrik dan elektronik, aki dan baterai dapat memiliki dampak negatif pada lingkungan dan kesehatan manusia.
Jangan buang peralatan listrik dan elektronik atau baterai bersama limbah rumah tangga!
Sesuai dengan Petunjuk Eropa tentang limbah peralatan listrik dan elektronik dan tentang aki dan baterai serta limbah aki dan baterai, serta penyesuaiannya terhadap undang-undang nasional, limbah peralatan listrik, baterai dan aki harus disimpan secara terpisah dan dikirim ke tempat pengumpulan terpisah untuk sampah kota, beroperasi sesuai dengan peraturan tentang perlindungan lingkungan.
Hal ini ditunjukkan dengan simbol tempat sampah bersilang yang ditempatkan pada peralatan.

Penggunaan

Mesin ini digunakan untuk memotong kayu secara lurus atau membentuk sudut miter dengan akurat. Gergaji tidak boleh digunakan untuk memotong bahan selain kayu, aluminium, atau bahan yang serupa.

PERINGATAN KESELAMATAN

Peringatan keselamatan umum mesin listrik

⚠ PERINGATAN: Bacalah semua peringatan keselamatan, petunjuk, ilustrasi dan spesifikasi yang disertakan bersama mesin listrik ini. Kelalaian untuk mematuhi semua petunjuk yang tercantum di bawah ini dapat menyebabkan sengatan listrik, kebakaran dan/atau cedera serius.

Simpanlah semua peringatan dan petunjuk untuk acuan di masa depan.

Istilah “mesin listrik” dalam semua peringatan mengacu pada mesin listrik yang dijalankan dengan sumber listrik jala-jala (berkabel) atau baterai (tanpa kabel).

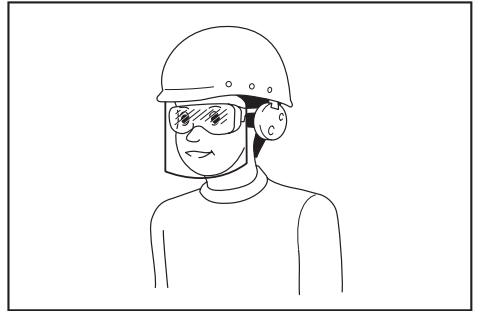
Keselamatan tempat kerja

1. **Jaga tempat kerja selalu bersih dan berpenerangan cukup.** Tempat kerja yang berantakan dan gelap mengundang kecelakaan.
2. **Jangan gunakan mesin listrik dalam lingkungan yang mudah meledak, misalnya jika ada cairan, gas, atau debu yang mudah menyala.** Mesin listrik menimbulkan bunga api yang dapat menyalakan debu atau uap tersebut.
3. **Jauhkan anak-anak dan orang lain saat menggunakan mesin listrik.** Bila perhatian terpecah, anda dapat kehilangan kendali.

Keamanan Kelistrikan

1. **Steker mesin listrik harus cocok dengan stopkontak. Jangan sekali-kali mengubah steker dengan cara apa pun. Jangan menggunakan steker adaptor dengan mesin listrik terbumi (dibumikan).** Steker yang tidak diubah dan stopkontak yang cocok akan mengurangi risiko sengatan listrik.
2. **Hindari sentuhan tubuh dengan permukaan terbumi atau yang dibumikan seperti pipa, radiator, kompor, dan kulkas.** Risiko sengatan listrik bertambah jika tubuh Anda terbumikan atau dibumikan.
3. **Jangan membiarkan mesin listrik kehujanan atau kebasahan.** Air yang masuk ke dalam mesin listrik akan meningkatkan risiko sengatan listrik.
4. **Jangan menyalahgunakan kabel. Jangan sekali-kali menggunakan kabel untuk membawa, menarik, atau mencabut mesin listrik dari stopkontak. Jauhkan kabel dari panas, minyak, tepian tajam, atau bagian yang bergerak.** Kabel yang rusak atau kusut memperbesar risiko sengatan listrik.
5. **Bila menggunakan mesin listrik di luar ruangan, gunakan kabel ekstensi yang sesuai untuk penggunaan di luar ruangan.** Penggunaan kabel yang sesuai untuk penggunaan luar ruangan mengurangi risiko sengatan listrik.

6. Jika mengoperasikan mesin listrik di lokasi lembap tidak terhindarkan, gunakan pasokan daya yang dilindungi peranti imbasan arus (residual current device - RCD). Penggunaan RCD mengurangi risiko sengatan listrik.
7. Mesin listrik dapat menghasilkan medan magnet (EMF) yang tidak berbahaya bagi pengguna. Namun, pengguna alat pacu jantung atau peralatan medis sejenisnya harus berkonsultasi dengan produsen peralatan tersebut dan/atau dokter mereka sebelum mengoperasikan mesin listrik ini.
9. Selalu kenakan kacamata pelindung untuk melindungi mata dari cedera saat menggunakan mesin listrik. Kacamata harus sesuai dengan ANSI Z87.1 di Amerika Serikat, EN 166 di Eropa, atau AS/NZS 1336 di Australia/Selandia Baru. Di Australia/Selandia Baru, secara hukum Anda juga diwajibkan mengenakan pelindung wajah untuk melindungi wajah Anda.



Menjadi tanggung jawab atas untuk menerapkan penggunaan alat pelindung keselamatan yang tepat bagi operator mesin dan orang lain yang berada di area kerja saat itu.

Keselamatan Diri

1. Jaga kewaspadaan, perhatikan pekerjaan Anda dan gunakan akal sehat bila menggunakan mesin listrik. Jangan menggunakan mesin listrik saat Anda lelah atau di bawah pengaruh obat bius, alkohol, atau obat. Sekejap saja lalai saat menggunakan mesin listrik dapat menyebabkan cedera badan serius.
2. Gunakan alat pelindung diri. Selalu gunakan pelindung diri. Peralatan pelindung seperti masker debu, sepatu pengaman anti-selip, helm pengaman, atau pelindung telinga yang digunakan untuk kondisi yang sesuai akan mengurangi risiko cedera badan.
3. Cegah penyalan yang tidak disengaja. Pastikan bahwa sakelar berada dalam posisi mati (off) sebelum menghubungkan mesin ke sumber daya dan/atau paket baterai, atau mengangkat atau membawanya. Membawa mesin listrik dengan jari Anda pada sakelarnya atau mengalirkan listrik pada mesin listrik yang sakelarnya hidup (on) akan mengundang kecelakaan.
4. Lepaskan kunci-kunci penyetel sebelum menghidupkan mesin listrik. Kunci-kunci yang masih terpasang pada bagian mesin listrik yang berputar dapat menyebabkan cedera.
5. Jangan meraih terlalu jauh. Jagalah pijakan dan keseimbangan sepanjang waktu. Hal ini memungkinkan kendali yang lebih baik atas mesin listrik dalam situasi yang tidak diharapkan.
6. Kenakan pakaian yang memadai. Jangan memakai pakaian yang longgar atau perhiasan. Jaga jarak antara rambut dan pakaian Anda dengan komponen mesin yang bergerak. Pakaian yang longgar, perhiasan, atau rambut yang panjang dapat tersangkut pada komponen yang bergerak.
7. Jika tersedia fasilitas untuk menghisap dan mengumpulkan debu, pastikan fasilitas tersebut terhubung listrik dan digunakan dengan baik. Penggunaan pembersih debu dapat mengurangi bahaya yang terkait dengan debu.
8. Jangan sampai Anda lengah dan mengabaikan prinsip keselamatan mesin ini hanya karena sudah sering mengoperasikannya dan sudah merasa terbiasa. Tindakan yang lalai dapat menyebabkan cedera berat dalam sepersekian detik saja.

Penggunaan dan pemeliharaan mesin listrik

1. Jangan memaksa mesin listrik. Gunakan mesin listrik yang tepat untuk keperluan Anda. Mesin listrik yang tepat akan menuntaskan pekerjaan dengan lebih baik dan aman pada kecepatan sesuai rancangannya.
2. Jangan gunakan mesin listrik jika sakelar tidak dapat menyalakan dan mematikannya. Mesin listrik yang tidak dapat dikendalikan dengan sakelarnya adalah berbahaya dan harus diperbaiki.
3. Cabut steker dari sumber listrik dan/atau lepas paket baterai, jika dapat dilepas, dari mesin listrik sebelum melakukan penyetelan apa pun, mengganti aksesoris, atau menyimpan mesin listrik. Langkah keselamatan preventif tersebut mengurangi risiko hidupnya mesin secara tak sengaja.
4. Simpan mesin listrik jauh dari jangkauan anak-anak dan jangan biarkan orang yang tidak paham mengenai mesin listrik tersebut atau petunjuk ini menggunakan mesin listrik. Mesin listrik sangat berbahaya di tangan pengguna yang tak terlatih.
5. Rawatlah mesin listrik dan aksesoris. Periksa apakah ada komponen bergerak yang tidak lurus atau macet, komponen yang pecah, dan kondisi-kondisi lain yang dapat memengaruhi pengoperasian mesin listrik. Jika rusak, perbaiki mesin listrik terlebih dahulu sebelum digunakan. Banyak kecelakaan disebabkan oleh kurangnya pemeliharaan mesin listrik.
6. Jaga agar mesin pemotong tetap tajam dan bersih. Mesin pemotong yang terawat baik dengan mata pemotong yang tajam tidak mudah macet dan lebih mudah dikendalikan.

7. **Gunakan mesin listrik, aksesoris, dan mata mesin, dll. sesuai dengan petunjuk ini, dengan memperhitungkan kondisi kerja dan jenis pekerjaan yang dilakukan.** Penggunaan mesin listrik untuk penggunaan yang lain dari peruntukan dapat menimbulkan situasi berbahaya.
8. **Jagalah agar gagang dan permukaan pegangan tetap kering, bersih, dan bebas dari minyak dan pelumas.** Gagang dan permukaan pegangan yang licin tidak mendukung keamanan penanganan dan pengendalian mesin dalam situasi-situasi tak terduga.
9. **Ketika menggunakan mesin, jangan menggunakan sarung tangan kain yang dapat tersangkut.** Sarung tangan kain yang tersangkut pada komponen bergerak dapat mengakibatkan cedera pada pengguna.

Penggunaan dan pemeliharaan mesin bertenaga baterai

1. **Isi ulang baterai hanya dengan pengisi daya yang ditentukan oleh pabrikan.** Pengisi daya yang cocok untuk satu jenis paket baterai dapat menimbulkan risiko kebakaran ketika digunakan untuk paket baterai yang lain.
2. **Gunakan mesin listrik hanya dengan paket baterai yang telah ditentukan secara khusus.** Penggunaan paket baterai lain dapat menimbulkan risiko cedera dan kebakaran.
3. **Ketika paket baterai tidak digunakan, jauhkan dari benda logam lain, seperti penjepit kertas, uang logam, kunci, paku, sekrup atau benda logam kecil lainnya, yang dapat menghubungkan satu terminal ke terminal lain.** Hubungan singkat terminal baterai dapat menyebabkan luka bakar atau kebakaran.
4. **Pemakaian yang salah, dapat menyebabkan keluarnya cairan dari baterai; hindari kontak.** Jika terjadi kontak secara tidak sengaja, bilas dengan air. Jika cairan mengenai mata, cari bantuan medis. Cairan yang keluar dari baterai bisa menyebabkan iritasi atau luka bakar.
5. **Jangan menggunakan paket baterai atau mesin yang sudah rusak atau telah diubah.** Baterai yang rusak atau telah diubah dapat menyebabkan hal-hal yang tidak dapat diprediksi yang dapat menyebabkan kebakaran, ledakan atau risiko cedera.
6. **Jangan membiarkan paket baterai atau mesin dekat dengan api atau suhu yang berlebihan.** Pajanan api atau suhu di atas 130 °C dapat menyebabkan ledakan.
7. **Ikuti semua petunjuk pengisian daya dan jangan mengisi daya paket baterai atau mesin di luar rentang suhu yang ditentukan di panduan.** Mengisi daya secara tidak tepat atau pada suhu di luar rentang yang ditentukan dapat merusak baterai dan meningkatkan risiko kebakaran.

Servis

1. **Berikan mesin listrik untuk diperbaiki hanya kepada oleh teknisi yang berkualifikasi dengan menggunakan hanya suku cadang pengganti yang serupa.** Hal ini akan menjamin terjaminnya keamanan mesin listrik.
2. **Jangan pernah memperbaiki paket baterai yang sudah rusak.** Perbaikan paket baterai harus dilakukan hanya oleh produsen atau penyedia servis resmi.
3. **Patuhi petunjuk pelumasan dan penggantian aksesoris.**

Instruksi keselamatan untuk gergaji adu manis

1. **Gergaji adu manis ditujukan untuk memotong kayu atau produk kayu, tidak dapat digunakan bersama dengan roda pemotong abrasif untuk memotong bahan yang mengandung besi seperti tongkat, batang, tiang, dll.** Debu abrasif dapat menyebabkan macet pada bagian yang bergerak seperti pelindung bawah. Percikan dari pemotongan abrasif akan membakar pelindung bawah, sisipan goresan, dan komponen plastik lainnya.
2. **Gunakan penjepit untuk menahan benda kerja jika memungkinkan. Jika Anda menopang benda kerja dengan tangan, pastikan tangan Anda selalu berjarak setidaknya 100 mm dari kedua sisi mata gergaji. Jangan gunakan gergaji ini untuk memotong benda yang terlalu kecil untuk dijepit pada ragum atau dipegang tangan.** Jika tangan Anda berada terlalu dekat dengan mata gergaji, terdapat risiko cedera akibat menyentuh mata gergaji.
3. **Benda kerja harus diam dan dijepit atau ditahan pada pembatas atau meja. Jangan uampankan benda kerja pada mata pisau atau memotong secara “bebas” dengan cara apa pun.** Benda kerja yang tidak ditahan dapat terlempar pada kecepatan tinggi dan menyebabkan cedera.
4. **Dorong gergaji untuk memotong benda kerja. Jangan tarik gergaji untuk memotong benda kerja. Untuk memotong, angkat kepala gergaji dan angkat ke atas benda kerja tanpa memotong, jalankan motor, tekan kepala gergaji ke bawah dan dorong gergaji untuk memotong benda kerja.** Memotong dengan gerakan tarikan dapat menyebabkan mata gergaji bergerak ke atas benda kerja dan melemparkan mata gergaji dengan kuat ke arah operator.
5. **Jangan pernah letakkan tangan pada garis pemotongan baik di depan atau di belakang mata gergaji.** Menopang benda kerja “secara menyilang”, yaitu menahan benda kerja pada sisi kanan mata gergaji dengan tangan kiri Anda atau sebaliknya adalah tindakan yang sangat berbahaya.

► **Gbr.1**

6. **Jangan meraih bagian belakang penahan dengan tangan mendekati 100 mm dari kedua sisi mata gergaji, untuk membersihkan serbuk kayu, atau untuk alasan apa pun ketika mata gergaji sedang berputar.** Jarak antara mata gergaji yang berputar dan tangan Anda mungkin tidak terlihat jelas dan Anda dapat terluka parah.
 7. **Periksa benda kerja sebelum memotong. Jika benda kerja melengkung atau tidak rata, jepit dengan sisi melengkung menghadap penahan. Selalu pastikan tidak ada celah antara benda kerja, penahan, dan meja di sepanjang garis pemotongan.** Benda kerja yang melengkung atau tidak rata dapat memuntir atau bergeser dan menyebabkan mata gergaji terjepit saat memotong. Hindari adanya paku atau objek lain pada benda kerja.
 8. **Jangan gunakan gergaji hingga meja benar-benar bersih dari serpihan kayu, peralatan lain, dll., dan hanya terdapat benda kerja.** Kotoran atau serpihan kayu atau benda lain yang menyentuh mata pisau saat sedang berputar dapat terlempar dengan kecepatan tinggi.
 9. **Hanya potong satu benda kerja dalam satu waktu.** Benda kerja yang bertumpuk tidak dapat dijepit atau ditahan dengan benar dan dapat menjepit mata pisau atau bergeser selama pemotongan.
 10. **Pastikan gergaji adu manis terpasang di permukaan kerja yang rata dan kuat sebelum digunakan.** Permukaan kerja yang rata dan kuat mengurangi risiko gergaji adu manis menjadi tidak stabil.
 11. **Rencanakan pekerjaan Anda. Setiap kali Anda mengganti pengaturan sudut siku-siku atau miter, pastikan penahan yang dapat disesuaikan telah diatur dengan benar untuk menahan benda kerja dan tidak akan mengganggu mata pisau atau sistem perlindungan.** Tanpa menyalakan mesin ke posisi "HIDUP" dan tidak ada benda kerja di meja, gerakkan mata gergaji dengan mensimulasikan gerakan memotong untuk memastikan tidak ada gangguan atau bahaya terpotongnya penahan.
 12. **Topang menggunakan peralatan yang memadai seperti sambungan meja, meja gergaji, dll. untuk benda kerja yang lebih lebar dari permukaan meja.** Benda kerja yang lebih panjang atau lebih lebar dari meja gergaji adu manis dapat miring jika tidak ditopang dengan kuat. Jika potongan atau benda kerja miring, potongan atau benda kerja tersebut dapat mengangkat pelindung bawah atau terlontar oleh mata pisau yang berputar.
 13. **Jangan minta orang lain menggantikan fungsi penopang atau sambungan meja.** Penopangan benda kerja yang tidak stabil dapat menyebabkan mata pisau terjepit atau benda kerja bergeser selama pemotongan dan Anda dan orang lain dapat mengenai mata pisau yang berputar.
 14. **Potongan benda kerja tidak boleh dijepit atau ditekan ke mata gergaji yang berputar dengan cara apa pun.** Jika tidak langsung terlepas, yaitu saat menggunakan penahan panjang, potongan benda kerja dapat miring ke arah mata pisau dan terlempar dengan kuat.
 15. **Selalu gunakan penjepit atau dudukan yang dirancang untuk menopang material berbentuk bulat seperti batang atau pipa dengan benar.** Batang dapat tergulung ketika dipotong, yang menyebabkan mata pisau "menggigit" dan menarik benda kerja serta tangan Anda ke arah mata pisau.
 16. **Biarkan mata pisau mencapai kecepatan penuh sebelum menyentuh benda kerja.** Hal ini akan mengurangi risiko benda kerja terlempar.
 17. **Jika benda kerja atau mata gergaji terjepit, matikan gergaji adu manis. Tunggu semua komponen gerak sampai benar-benar berhenti dan cabut steker dari sumber daya dan/atau lepaskan paket baterai. Kemudian lepaskan material yang terjepit.** Melanjutkan pekerjaan dengan benda kerja yang terjepit dapat menyebabkan hilangnya kendali atau kerusakan pada gergaji adu manis.
 18. **Setelah selesai memotong, lepaskan sakelar, tahan kepala gergaji dan tunggu hingga mata gergaji berhenti sebelum melepaskan potongan benda kerja.** Mengambil benda kerja ketika mata pisau masih berputar adalah tindakan yang sangat berbahaya.
 19. **Tahan pegangan dengan kuat ketika hanya memotong sebagian benda kerja atau ketika melepaskan sakelar sebelum kepala gergaji berada di posisi turun.** Gerakan pengereman gergaji dapat menyebabkan kepala gergaji tertarik ke bawah dengan tiba-tiba dan berisiko menyebabkan cedera.
 20. **Gunakan hanya mata gergaji dengan diameter yang tertera pada alat atau ditentukan dalam petunjuk.** Menggunakan mata pisau dengan ukuran yang salah akan memengaruhi perlindungan mata pisau atau pengoperasian pelindung yang dapat mengakibatkan cedera serius.
 21. **Hanya gunakan mata gergaji dengan kecepatan yang sama atau lebih tinggi dari kecepatan yang tertera pada mesin.**
 22. **Gergaji tidak boleh digunakan untuk memotong bahan selain kayu, aluminium, atau bahan yang serupa.**
 23. **(Hanya untuk negara-negara Eropa) Gunakan hanya mata pisau yang sesuai dengan EN847-1.**
- Instruksi tambahan**
1. **Pastikan bengkel aman untuk anak-anak dengan mengunci semua alat menggunakan gembok.**
 2. **Dilarang berdiri di atas mesin.** Cedera serius bisa terjadi jika mesin ini berujung lancip atau jika alat pemotong tersentuh secara tidak sengaja.
 3. **Jangan sekali-kali membiarkan mesin menyala tanpa pengawasan. Matikan mesin. Jangan meninggalkan mesin sampai benar-benar berhenti.**

4. Jangan mengoperasikan gergaji tanpa pelindung terpasang di tempatnya. Periksa apakah pelindung mata pisau tertutup dengan baik setiap kali akan digunakan. Jangan mengoperasikan gergaji jika pelindung mata pisau tidak bergerak bebas dan menutup dengan cepat. Jangan sekali-kali menjepit atau mengikat pelindung mata pisau ke posisi terbuka.
 5. Jauhkan tangan dari jalur mata gergaji. Hindari kontak dengan mata pisau yang bergerak meluncur. Ini masih dapat menyebabkan cedera parah.
 6. Untuk mengurangi risiko cedera, kembalikan pegangan ke posisi belakang sepenuhnya setelah setiap pekerjaan pemotongan silang.
 7. Selalu kencangkan semua bagian yang bergerak sebelum mesin dibawa.
 8. Pasak penahan yang mengunci kepala pemotong ke bawah hanya untuk tujuan membawa atau penyimpanan dan bukan untuk pengoperasian pemotong.
 9. Periksa mata pisau secara saksama akan adanya keretakan atau kerusakan sebelum penggunaan. Segera ganti mata pisau yang retak atau rusak. Getah dan ter kayu yang mengeras pada mata pisau memperlambat gergaji dan meningkatkan risiko terjadinya hentakan balik. Jaga agar mata pisau tetap bersih dengan melepaskannya terlebih dahulu dari mesin, lalu membersihkannya dengan penghilang getah dan ter, air panas atau kerosin. Jangan pernah menggunakan bensin untuk membersihkan mata pisau.
 10. Ketika membuat potongan geser, HENTAKAN BALIK dapat terjadi. HENTAKAN BALIK terjadi ketika mata gergaji terjepit pada benda kerja selama pemotongan dan mata gergaji terdorong dengan cepat ke arah operator. Kehilangan kendali dan cedera parah dapat terjadi. Jika mata pisau mulai terjepit selama pemotongan, jangan lanjutkan dan segera lepaskan sakelar.
 11. Gunakan hanya flensa yang ditentukan untuk mesin ini.
 12. Berhati-hatilah agar tidak merusak arbor, flensa (terutama permukaan pemasangan) atau baut. Kerusakan pada bagian ini bisa mengakibatkan rusaknya mata pisau.
 13. Pastikan bahwa dudukan putar dikencangkan dengan benar sehingga tidak akan bergerak selama pengoperasian. Gunakan lubang di bagian dasar untuk mengencangkan gergaji pada platform kerja atau meja yang stabil. JANGAN PERNAH gunakan mesin dengan posisi operator yang tidak ideal.
 14. Pastikan kunci poros dilepas sebelum sakelar dinyalakan.
 15. Pastikan mata pisau tidak mengenai dudukan putar pada posisi terendah.
 16. Genggam pegangan mesin kuat-kuat. Ketahuilah bahwa gergaji sedikit bergerak naik atau turun selama penyalaaan awal dan saat berhenti.
 17. Pastikan bahwa mata pisau tidak menyentuh benda kerja sebelum sakelar dinyalakan.
 18. Sebelum menggunakan mesin pada benda kerja yang sebenarnya, jalankan mesin sebentar. Perhatikan akan adanya getaran atau goyangan yang dapat menunjukkan lemahnya pemasangan atau mata pisau yang kurang seimbang.
 19. Segera hentikan pengoperasian segera jika Anda melihat adanya sesuatu yang tidak wajar.
 20. Jangan mencoba untuk mengunci picu pada posisi "HIDUP".
 21. Selalu gunakan aksesoris yang dianjurkan dalam panduan ini. Penggunaan aksesoris yang tidak tepat seperti roda ampelas bisa menyebabkan cedera.
 22. Bahan tertentu mengandung zat kimia yang mungkin beracun. Berikan perhatian untuk menghindari menghirup debu dan persentuhan dengan kulit. Ikuti data keselamatan bahan dari pemasok.
- Aturan keselamatan tambahan untuk laser
1. RADIASI LASER, JANGAN MELIHAT CAHAYA SECARA LANGSUNG ATAU DENGAN ALAT OPTIK, PRODUK LASER KELAS 2M.

SIMPAN PETUNJUK INI.

⚠️ PERINGATAN: JANGAN biarkan kenyamanan atau terbiasanya Anda dengan produk (karena penggunaan berulang) mengurangi kepatuhan yang ketat terhadap aturan keselamatan untuk produk yang terkait. PENYALAHGUNAAN atau kelalaian mematuhi kaidah keselamatan yang tertera dalam petunjuk ini dapat menyebabkan cedera badan serius.

Petunjuk keselamatan penting untuk kartrid baterai

1. Sebelum menggunakan kartrid baterai, bacalah semua petunjuk dan penandaan pada (1) pengisi daya baterai, (2) baterai, dan (3) produk yang menggunakan baterai.
2. Jangan membongkar atau memodifikasi kartrid baterai. Tindakan tersebut dapat menimbulkan api, panas berlebih, atau ledakan.
3. Jika waktu beroperasinya menjadi sangat singkat, segera hentikan penggunaan. Hal tersebut dapat menimbulkan risiko panas berlebih, kemungkinan mengalami luka bakar atau bahkan terjadi ledakan.
4. Jika elektrolit mengenai mata Anda, basuh dengan air bersih dan segera cari pertolongan medis. Hal tersebut dapat mengakibatkan hilangnya kemampuan penglihatan Anda.
5. Jangan menghubungkan terminal kartrid baterai:
 - (1) Jangan menyentuh terminal dengan bahan penghantar listrik apa pun.
 - (2) Hindari menyimpan kartrid baterai pada wadah yang berisi benda logam lain seperti paku, uang logam, dsb.

- (3) **Jangan membiarkan baterai terkena air atau kehujanan.**
Hubungan singkat baterai dapat menyebabkan aliran arus listrik yang besar, panas berlebih, kemungkinan mengalami luka bakar dan bahkan kerusakan pada baterai.
6. **Jangan menyimpan dan menggunakan mesin dan kartrid baterai pada lokasi dengan suhu yang bisa mencapai atau melebihi 50 °C (122 °F).**
 7. **Jangan membuang kartrid baterai di tempat pembakaran sampah walaupun benar-benar rusak atau tidak bisa digunakan sama sekali. Kartrid baterai bisa meledak jika terbakar.**
 8. **Jangan memaku, memotong, menghancurkan, melempar, menjatuhkan kartrid baterai, atau memukulkan benda keras ke kartrid baterai.**
Tindakan tersebut dapat menimbulkan api, panas berlebih, atau ledakan.
 9. **Jangan menggunakan baterai yang rusak.**
 10. **Baterai litium-ion yang disertakan sesuai dengan persyaratan Perundang-undangan Makanan Berbahaya.**
Harus ada pengawasan untuk pengangkutan komersial misalnya oleh pihak ketiga, ekspedidor, persyaratan khusus terhadap pengemasan dan pelabelan.
Diperlukan adanya konsultasi dengan ahli mengenai material berbahaya untuk persiapan barang yang akan dikirimkan. Perhatikan pula peraturan nasional yang lebih terperinci yang mungkin ada.
Beri perekat atau tutupi bagian yang terbuka dan kemasi baterai dengan cara yang tidak akan menimbulkan pergeseran dalam pengemasan.
 11. **Ketika membuang kartrid baterai, lepaskan dari mesin dan buang ke tempat yang aman. Patuhi peraturan setempat yang berkaitan dengan pembuangan baterai.**
 12. **Gunakan baterai hanya dengan produk yang ditentukan oleh Makita.** Memasang baterai pada produk yang tidak sesuai dapat menyebabkan kebakaran, kelebihan panas, ledakan, atau kebocoran elektrolit.
 13. **Jika mesin tidak digunakan dalam jangka waktu yang lama, baterai harus dilepas dari mesin.**
 14. **Selama dan setelah digunakan, kartrid baterai mungkin menyimpan panas yang dapat menyebabkan luka bakar atau luka bakar suhu rendah.** Perhatikan cara memegang kartrid baterai yang masih panas.
 15. **Jangan langsung menyentuh terminal mesin setelah digunakan karena suhunya mungkin cukup panas untuk menyebabkan luka bakar.**
 16. **Jangan biarkan serpihan, debu, atau tanah menempel di terminal, lubang, dan alur kartrid baterai.** Hal tersebut dapat menyebabkan pemanasan, kebakaran, ledakan, dan kegagalan fungsi mesin atau kartrid baterai, yang mengakibatkan luka bakar atau cedera diri.
 17. **Kecuali jika mesin mendukung penggunaan di dekat saluran listrik bertegangan tinggi, jangan gunakan kartrid baterai di dekat saluran listrik bertegangan tinggi.** Hal tersebut dapat mengakibatkan kegagalan fungsi atau kerusakan mesin maupun kartrid baterai.
 18. **Jauhkan baterai dari jangkauan anak-anak.**

SIMPAN PETUNJUK INI.

PERHATIAN: Gunakan baterai asli Makita. Penggunaan baterai Makita yang tidak asli, atau baterai yang sudah diubah, akan mengakibatkan baterai mudah terbakar, cedera dan kerusakan. Akan menghilangkan garansi Makita pada pengisi daya dan alat Makita.

Tip untuk menjaga agar umur pemakaian baterai maksimum

1. **Isi ulang kartrid baterai sebelum habis sama sekali.** Selalu hentikan penggunaan mesin dan ganti kartrid baterai jika Anda melihat bahwa mesin kurang tenaga.
2. **Jangan pernah mengisi ulang kartrid baterai yang sudah diisi penuh.** Pengisian ulang yang berlebih memperpendek umur pemakaian baterai.
3. **Isi ulang kartrid baterai pada suhu ruangan 10 °C - 40 °C.** Biarkan kartrid baterai yang panas menjadi dingin terlebih dahulu sebelum diisi ulang.
4. **Saat kartrid baterai tidak digunakan, lepaskan dari mesin atau pengisi daya.**
5. **Isi ulang daya kartrid baterai jika Anda tidak menggunakannya untuk jangka waktu yang lama (lebih dari enam bulan).**

DESKRIPSI BAGIAN-BAGIAN MESIN

► Gbr.2

1	Tombol buka kunci	2	Picu sakelar	3	Kotak mata pisau	4	Sekrup penyetel (untuk posisi batas bawah)
5	Baut penyetel (untuk kapasitas pemotongan maksimum)	6	Lengan penahan	7	Kantong debu	8	Skala sudut siku-siku
9	Pelindung mata pisau	10	Ragum vertikal	11	Pembatas pemandu	12	Penahan
13	Tuas pengunci (untuk dudukan putar)	14	Gagang (untuk dudukan putar)	15	Baut penyetel (untuk dudukan putar)	16	Papan garitan
17	Penunjuk (untuk sudut miter)	18	Dudukan putar	19	Rakitan penahan	20	Poros pembatas
21	Anak-pembatas	-	-	-	-	-	-

► Gbr.3

22	Tiang geser (atas)	23	Sekrup putar (untuk mengunci tiang geser atas)	24	Kunci L	25	Sekrup jepit (untuk mengunci penahan)
26	Tuas (untuk penyetelan sudut siku-siku)	27	Tiang geser (bawah)	28	Sekrup putar (untuk mengunci tiang geser bawah)	-	-

PEMASANGAN

Pemasangan bangku

⚠ PERINGATAN: Pastikan mesin tidak bergerak di atas permukaan penopang. Pergerakan gergaji adu manis (miter) pada permukaan penopang ketika memotong dapat menyebabkan kehilangan kontrol dan cedera badan serius.

1. Pasang dudukan ke permukaan yang datar dan stabil, sekrup dengan dua baut. Ini membantu mencegah kemiringan dan kemungkinan cedera.

► **Gbr.4:** 1. Baut

2. Putar baut penyetel searah jarum jam atau berlawanan arah jarum jam hingga menempel dengan permukaan lantai untuk menjaga mesin tetap stabil.

► **Gbr.5:** 1. Baut penyetel

Memasang penahan dan rakitan penahan

CATATAN: Di beberapa negara, penahan dan rakitan penahan mungkin belum termasuk dalam paket mesin sebagai aksesori standar.

Penahan dan rakitan penahan menyokong benda kerja secara horizontal.

Kencangkan poros pembatas ke rakitan penahan menggunakan kunci L.

► **Gbr.6:** 1. Penahan 2. Rakitan penahan 3. Poros pembatas 4. Kunci L

Pasang penahan dan rakitan penahan pada kedua sisi seperti yang ditunjukkan pada gambar. Saat memasang, pastikan poros pembatas berada pada garis yang sama dengan pembatas pemandu saat memasang mesin.

► **Gbr.7:** 1. Penahan 2. Rakitan penahan 3. Sekrup

Lalu kencangkan sekrup dengan kuat untuk mengencangkan penahan dan rakitan penahan.

DESKRIPSI FUNGSI

⚠ PERINGATAN: Selalu pastikan bahwa mesin dimatikan dan kartrid baterai dilepas sebelum menyetel atau memeriksa fungsi mesin. Kelalaian dalam mematikan dan melepaskan kartrid baterai dapat mengakibatkan cedera badan yang serius akibat penyalaaan yang tidak disengaja.

Memasang atau melepas baterai

⚠ PERHATIAN: Selalu matikan mesin sebelum memasang atau melepas kartrid baterai.

⚠ PERHATIAN: Pegang mesin dan kartrid baterai kuat-kuat saat memasang atau melepas kartrid baterai. Kelalaian untuk memegang mesin dan kartrid baterai kuat-kuat bisa menyebabkan keduanya tergelincir dari tangan Anda dan mengakibatkan kerusakan pada mesin dan kartrid baterai dan cedera diri.

► **Gbr.8:** 1. Indikator berwarna merah 2. Tombol 3. Kartrid baterai

Untuk melepas kartrid baterai, geser dari mesin sambil menggeser tombol pada bagian depan kartrid.

Untuk memasang kartrid baterai, sejajarkan lidah kartrid baterai dengan alur pada rumah dan masukkan ke dalam tempatnya. Masukkan seluruhnya sampai terkunci pada tempatnya dan terdengar bunyi klik kecil. Jika Anda bisa melihat indikator berwarna merah pada sisi atas tombol, berarti tidak terkunci sepenuhnya.

PERHATIAN: Selalu pasang kartrid baterai sepenuhnya sampai indikator berwarna merah tidak terlihat. Jika tidak, bisa terlepas dari mesin secara tidak sengaja, menyebabkan luka pada Anda atau orang di sekitar Anda.

PERHATIAN: Jangan memasang kartrid baterai secara paksa. Jika kartrid tidak bergeser dengan mudah, berarti tidak dimasukkan dengan benar.

CATATAN: Mesin tidak akan bekerja dengan hanya satu kartrid baterai.


Sistem perlindungan mesin / baterai

Mesin ini dilengkapi dengan sistem perlindungan mesin/ baterai. Sistem ini memutus daya ke motor secara otomatis untuk memperpanjang umur pakai mesin dan baterai. Mesin akan berhenti secara otomatis saat dioperasikan jika mesin atau baterai mengalami salah satu dari kondisi-kondisi berikut ini:

Perlindungan kelebihan beban

Bila mesin dijalankan dengan cara yang menyebabkannya menarik arus tinggi yang tidak normal, mesin akan berhenti secara otomatis tanpa menunjukkan apa-apa. Untuk situasi ini, matikan mesin dan hentikan pekerjaan yang menyebabkan mesin mengalami kelebihan beban. Kemudian nyalakan mesin untuk memulai lagi pekerjaan.

Perlindungan panas berlebih

<input type="checkbox"/> menyala	<input checked="" type="checkbox"/> Berkedip
	








Bila mesin mengalami panas berlebih, mesin akan berhenti secara otomatis dan indikator baterai berkedip sekitar 60 detik. Untuk situasi ini, biarkan mesin menjadi dingin sebelum menyalakan mesin lagi.

Perlindungan pengisian daya berlebih

Ketika kapasitas baterai melemah, mesin akan berhenti secara otomatis. Jika produk tidak beroperasi bahkan ketika sakelar digunakan, lepaskan baterai dari mesin dan isi daya baterai.

Mengindikasikan kapasitas baterai yang tersisa








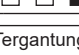
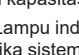
► **Gbr.9:** 1. Indikator baterai 2. Tombol pemeriksaan
Tekan tombol pemeriksaan untuk melihat kapasitas baterai yang tersisa. Indikator baterai berhubungan dengan setiap baterai.

Status indikator baterai			Kapasitas baterai yang tersisa
 Menyala	 Mati	 Berkedip	
			50% hingga 100%
			20% hingga 50%
			0% hingga 20%
			Isi ulang baterai

Mengindikasikan kapasitas baterai yang tersisa

Hanya untuk kartrid baterai dengan indikator

► **Gbr.10:** 1. Lampu indikator 2. Tombol pemeriksaan
Tekan tombol pemeriksaan pada kartrid baterai untuk melihat kapasitas baterai yang tersisa. Lampu indikator menyala selama beberapa detik.



Lampu indikator			Kapasitas yang tersisa
 Menyala	 Mati	 Berkedip	
			75% hingga 100%
			50% hingga 75%
			25% hingga 50%
			0% hingga 25%
			Isi ulang baterai.
			Baterai mungkin sudah rusak.

CATATAN: Tergantung kondisi penggunaan dan suhu lingkungannya, penunjukkan mungkin saja sedikit berbeda dari kapasitas sebenarnya.

CATATAN: Lampu indikator pertama (ujung kiri) akan berkedip ketika sistem perlindungan mesin bekerja.

Fungsi perubahan kecepatan otomatis

► **Gbr.11:** 1. Indikator mode

Status indikator mode	Mode pengoperasian
	Mode kecepatan tinggi
	Mode putaran tinggi

Mesin ini memiliki “mode kecepatan tinggi” dan “mode putaran tinggi”. Hal ini secara otomatis mengubah mode pengoperasian tergantung pada beban kerja. Ketika indikator mode menyala selama pengoperasian, mesin berada dalam mode putaran tinggi.

Pasak penahan

PERHATIAN: Selalu tahan pegangan ketika melepaskan pasak penahan. Jika tidak, pegangan akan memantul dan akan mengakibatkan cedera badan.

Untuk melepaskan pasak penahan, sedikit tahan ke bawah pegangan lalu tarik pasak penahan.

► **Gbr.12:** 1. Pasak penahan

Pelindung mata pisau

PERINGATAN: Jangan pernah mengakali atau melepaskan pelindung mata pisau atau pegas yang menempel pada pelindung. Mata pisau yang terpapar sebagai akibat dari pelindung yang diakali dapat menyebabkan cedera badan selama pengoperasian.

PERINGATAN: Jangan pernah menggunakan mesin jika pelindung mata pisau atau pegas rusak, cacat atau dilepaskan. Pengoperasian mesin dengan pelindung yang rusak, cacat atau dilepaskan dapat mengakibatkan cedera badan yang serius.

PERHATIAN: Selalu jaga pelindung mata pisau dalam kondisi yang baik untuk pengoperasian yang aman. Segera hentikan pengoperasian jika terjadi ketidakberesan pada pelindung mata pisau. Periksa untuk memastikan adanya gerak kembali yang digerakkan oleh pegas pada pelindung.

► **Gbr.13:** 1. Pelindung mata pisau

Ketika menurunkan pegangan, pelindung mata pisau naik secara otomatis. Pelindung mata pisau dilengkapi pegas sehingga akan kembali ke posisi semula ketika pemotongan selesai atau pegangan dinaikkan.

Pembersihan

► **Gbr.14:** 1. Pelindung mata pisau

Jika pelindung mata pisau terlihat kotor, atau serbuk gergaji menempel pada pelindung sehingga mata pisau dan/atau benda kerja tidak lagi terlihat dengan mudah, lepaskan kartrid baterai dan bersihkan pelindung dengan hati-hati menggunakan kain basah. Jangan gunakan larutan pembersih atau cairan pembersih berbasis minyak pada pelindung plastik karena hal ini akan menyebabkan kerusakan pada pelindung. Untuk pembersihan, naikkan pelindung mata pisau dengan merujuk pada “Memasang atau melepaskan mata gergaji”.

Setelah pembersihan, pastikan untuk mengembalikan mata pisau dan penutup tengah dan mengencangkan baut soket segi enam.

1. Pastikan bahwa mesin sudah dimatikan dan kartrid baterai dilepaskan.
2. Putar baut soket segi enam berlawanan arah jarum jam menggunakan kunci L yang disediakan dengan menahan penutup tengah.
3. Naikkan pelindung mata pisau dan penutup tengah.
4. Ketika pembersihan selesai, kembalikan penutup tengah dan kencangkan baut soket segi enam dengan melakukan langkah-langkah di atas dengan urutan terbalik.

PERINGATAN: Jangan melepaskan pelindung mata pisau penahan pegas. Jika pelindung rusak seiring waktu atau terpapar sinar UV, hubungi pusat layanan Makita untuk penggantian. **JANGAN MENGAKALI ATAU MELEPAS PELINDUNG.**

Menempatkan papan garitan

Mesin ini disediakan dengan papan garitan pada dudukan putar untuk meminimalkan koyakan pada bagian luar potongan. Papan garitan telah disetel oleh pabrikan sehingga mata pisau tidak mengenai papan garitan. Sebelum penggunaan, setel papan garitan sebagai berikut:

1. Pastikan untuk melepaskan kartrid baterai. Lalu, longgarkan semua sekrup (masing-masing 2 di kiri dan kanan) yang terpasang pada papan garitan.
► **Gbr.15:** 1. Papan garitan 2. Sekrup
2. Kencangkan kembali sekrup tersebut hanya sampai papan garitan masih dapat dipindahkan dengan mudah dengan tangan.
3. Turunkan pegangan secara penuh dan tekan pasak penahan untuk mengunci pegangan pada posisi yang lebih rendah.
4. Longgarkan dua sekrup jepit yang mengencangkan tiang geser.
► **Gbr.16:** 1. Sekrup putar
5. Tarik mesin secara penuh ke arah Anda.
6. Setel papan garitan sehingga papan garitan hanya mengenai bagian gerigi mata pisau.
► **Gbr.17**
► **Gbr.18:** 1. Mata gergaji 2. Gerigi mata pisau 3. Papan garitan 4. Potongan siku-siku kiri 5. Potongan lurus

7. Kencangkan sekrup depan (jangan mengencangkan terlalu kuat).
8. Tekan mesin ke arah pembatas pemandu secara penuh dan setel papan garitan sehingga papan garitan hanya mengenai bagian gerigi mata pisau.
9. Kencangkan sekrup belakang (jangan mengencangkan terlalu kuat).
10. Setelah menyetel papan garitan, lepaskan pasak penahan dan naikkan pegangan. Kemudian kencangkan sekrup dengan kuat.

PEMBERITAHUAN: Setelah menyetel sudut siku-siku pastikan bahwa papan garitan disetel dengan benar. Penyetelan papan garitan yang benar membantu untuk memberikan tumpuan yang memadai dari benda kerja dan meminimalkan koyakan benda kerja.

Menjaga kapasitas pemotongan maksimum

Mesin ini disetel di pabrik dengan kapasitas pemotongan maksimum untuk mata gergaji berukuran 190 mm.

Saat memasang mata gergaji bundar baru, selalu periksa posisi batas bawah mata gergaji bundar, dan bila perlu, setel seperti berikut:

1. Lepaskan kartrid baterai. Lalu, tekan mesin ke arah pembatas pemandu dan turunkan pegangan secara penuh.
 - **Gbr.19:** 1. Baut penysetel 2. Pembatas pemandu
2. Gunakan kunci L untuk memutar baut penysetel hingga mata gergaji bundar menjadi sedikit di bawah potongan melintang dari pembatas pemandu dan bagian atas permukaan dudukan putar.
 - **Gbr.20**
3. Putar mata pisau menggunakan tangan sambil memegang pegangan ke bawah sepenuhnya untuk memastikan bahwa mata gergaji bundar tidak menyentuh salah satu bagian dari dudukan bawah. Setel ulang sedikit, bila perlu.

⚠PERINGATAN: Setelah memasang mata gergaji bundar baru dan dengan kartrid baterai dilepaskan, selalu pastikan bahwa mata gergaji bundar tidak menyentuh bagian dudukan bawah saat pegangan diturunkan sepenuhnya. Jika mata gergaji bundar mengenai dudukan, maka hal ini akan menyebabkan hentakan balik dan mengakibatkan cedera badan yang serius.

► **Gbr.21**

Lengan penahan

Posisi batas bawah mata pisau dapat dengan mudah disetel dengan lengan penahan. Untuk menyetelnya, gerakkan lengan penahan dalam arah panah seperti yang ditunjukkan pada gambar. Putar sekrup penysetel dan tekan pegangan ke bawah secara penuh untuk memeriksa hasilnya.

► **Gbr.22:** 1. Sekrup penysetel 2. Lengan penahan

Anak-pembatas

Negara tertentu

⚠PERHATIAN: Ketika melakukan pemotongan siku-siku kiri, lipat anak-pembatas ke arah luar. Jika tidak, anak pembatas akan mengenai mata pisau atau bagian dari mesin ini, dan dapat menyebabkan cedera serius bagi operator.

► **Gbr.23:** 1. Anak-pembatas

Mesin ini dilengkapi dengan anak pembatas. Biasanya anak pembatas disimpan di dalam. Namun, ketika melakukan potongan siku-siku dalam, lipat ke luar.

Menyetel sudut miter

► **Gbr.24:** 1. Dudukan putar 2. Tuas kunci 3. Skala miter 4. Penunjuk 5. Gagang

1. Longgarkan gagang berlawanan arah jarum jam.
2. Tekan tuas ke bawah dan tahan, lalu setel sudut dudukan putar. Gunakan penunjuk dan skala miter sebagai panduan.
3. Kencangkan dengan kuat gagang searah jarum jam.

⚠PERHATIAN: Setelah mengubah sudut miter, selalu kunci posisi dudukan putar dengan mengencangkan gagang kuat-kuat.

PEMBERITAHUAN: Saat memutar dudukan putar, pastikan untuk menaikkan pegangan sepenuhnya.

Menyetel sudut siku-siku

Untuk menyetel sudut siku-siku, kendurkan tuas di bagian belakang mesin berlawanan arah jarum jam.

► **Gbr.25:** 1. Tuas 2. Tombol pelepas

Untuk memiringkan mata pisau ke kiri, tahan pegangan dan miringkan mesin. Gunakan skala siku-siku dan penunjuk sebagai pemandu. Lalu kencangkan tuas searah jarum jam untuk mengikat lengan dengan kuat.

► **Gbr.26:** 1. Penunjuk 2. Skala sudut siku-siku 3. Lengan

Untuk memiringkan mata pisau ke kanan, tahan pegangan dan miringkan mesin sedikit ke kiri dan tekan tombol pelepas. Dengan tombol pelepas yang ditekan, miringkan mata pisau ke kanan. Lalu kencangkan tuas.

⚠PERHATIAN: Setelah mengubah sudut siku-siku, selalu kunci posisi lengan dengan mengencangkan tuas searah jarum jam.

PEMBERITAHUAN: Saat memiringkan mata gergaji, pastikan untuk menaikkan pegangan sepenuhnya.

PEMBERITAHUAN: Ketika mengubah sudut siku-siku, pastikan untuk menyimpan papan garitan dengan benar seperti yang dijelaskan pada bagian "Menyimpan papan garitan".

Menyetel posisi tuas

Jika tuas tidak mengencang sepenuhnya seiring waktu, ubah posisi tuas. Tuas dapat diposisikan ulang setiap sudut 30°.

Longgarkan dan lepas sekrup yang mengunci tuas. Lepaskan tuas dan pasang lagi sampai mengarah sedikit ke atas garis horizontal. Lalu, kencangkan dengan kuat tuas dengan sekrup.

► **Gbr.27:** 1. Tuas 2. Sekrup

Kerja sakelar

⚠️PERINGATAN: Sebelum memasang baterai pada mesin, pastikan picu sakelar berfungsi dengan baik dan kembali ke posisi "OFF" saat dilepas. Pengoperasian mesin dengan sakelar yang tidak berfungsi dengan baik dapat menyebabkan kehilangan kontrol dan cedera badan serius.

⚠️PERINGATAN: Jangan mengunci dengan anak kunci atau kabel yang diameternya lebih kecil dari 6,35 mm. Anak kunci atau kabel yang lebih kecil mungkin tidak dapat mengunci mesin dengan benar dalam posisi mati dan pengoperasian yang tidak disengaja dapat terjadi yang mengakibatkan cedera badan serius.

⚠️PERINGATAN: JANGAN PERNAH menggunakan mesin tanpa picu sakelar yang berfungsi dengan benar. Setiap mesin dengan sakelar yang tidak berfungsi SANGAT BERBAHAYA dan harus diperbaiki sebelum penggunaan lebih lanjut atau cedera badan serius dapat terjadi.

⚠️PERINGATAN: Untuk keselamatan Anda, mesin ini dilengkapi tombol buka kunci untuk mencegah hidupnya mesin secara tidak disengaja. **JANGAN PERNAH menggunakan mesin jika mesin tersebut menyala ketika Anda hanya menarik picu sakelarnya tanpa menekan tuas buka kunci.** sakelar yang memerlukan perbaikan dapat mengakibatkan pengoperasian yang tidak diinginkan dan cedera badan serius. Kembalikan mesin ke pusat layanan Makita untuk diperbaiki dengan benar SEBELUM menggunakannya lebih lanjut.

⚠️PERINGATAN: JANGAN PERNAH mengakali tombol buka kunci dengan menyelotip atau menggunakan alat-alat lainnya. sakelar tanpa tombol buka kunci dapat mengakibatkan pengoperasian yang tidak diinginkan dan cedera badan serius.

PEMBERITAHUAN: Jangan menarik dalam dalam picu sakelar tanpa menekan tombol buka kunci. Hal ini bisa merusak sakelar.

Untuk mencegah pelatuk sakelar tertarik dengan tidak sengaja, tersedia sebuah tombol buka kunci. Untuk menjalankan mesin, tekan tombol pengunci dan tarik pelatuk sakelar. Lepaskan pelatuk sakelar untuk menghentikan.

Tombol buka kunci dapat ditekan dari kanan atau kiri. Lubang disediakan pada pelatuk sakelar untuk memasukkan gembok untuk mengunci mesin.

► **Gbr.28:** 1. Tombol buka kunci 2. Pelatuk sakelar 3. Lubang untuk gembok

PERAKITAN

⚠️PERINGATAN: Selalu pastikan bahwa mesin dimatikan dan kartrid baterai dilepas sebelum menjalankan mesin. Kelalaian dalam mematikan dan melepaskan kartrid baterai dapat mengakibatkan cedera badan yang serius.

Penyimpanan kunci L

Kunci L disimpan seperti ditunjukkan pada gambar. Ketika kunci L diperlukan, kunci dapat ditarik keluar dari tempat kunci.

Setelah menggunakan kunci L, kunci dapat disimpan dengan mengembalikannya ke tempat kunci.

► **Gbr.29:** 1. Tempat kunci 2. Kunci L

Memasang dan melepas mata gergaji

⚠️PERINGATAN: Selalu pastikan bahwa mesin dimatikan dan kartrid baterai dilepas sebelum memasang atau melepaskan mata pisau. Penyalaaan yang tidak disengaja dapat menyebabkan cedera badan serius.

⚠️PERHATIAN: Gunakan hanya kunci L Makita yang tersedia ketika memasang atau melepas mata pisau. Kelalaian dalam melakukannya dapat mengakibatkan terlalu kencang atau kurang kencangnya baut soket segi enam. Hal ini bisa menyebabkan cedera.

Untuk melepaskan mata pisau, lakukan langkah-langkah berikut ini:

1. Kunci pegangan dan naikkan posisi dengan mendorong pasak penahan.

► **Gbr.30:** 1. Pasak penahan

2. Gunakan kunci L untuk melonggarkan baut soket segi enam yang menahan penutup tengah dengan memutarnya berlawanan arah jarum jam. Lalu, naikkan pelindung mata pisau dan penutup tengah.

► **Gbr.31:** 1. Penutup tengah 2. Baut soket segi enam 3. Kunci L 4. Pelindung mata pisau

3. Tekan kunci poros untuk mengunci spindle, dan gunakan kunci L untuk mengendurkan baut soket segi enam searah jarum jam. Lalu lepaskan baut soket segi enam spindle, flensa luar dan mata pisau.

► **Gbr.32:** 1. Kunci poros 2. Baut soket segi enam 3. Flensa luar

4. Jika flensa dalam dilepaskan, pasang ini pada spindle dengan bagian pemasangan mata pisaunya menghadap ke mata pisau. Jika flensa dipasang dengan salah, flensa akan bergesekan dengan mesin.

► **Gbr.33:** 1. Flensa luar 2. Mata gergaji 3. Flensa dalam 4. Baut soket segi enam (putar kiri) 5. Spindel 6. Bagian pemasangan mata pisau

Untuk memasang mata pisau, lakukan langkah-langkah berikut ini:

1. Pasangkan mata pisau dengan hati-hati ke flensa dalam. Pastikan arah panah pada mata pisau sesuai dengan arah panah pada kotak mata pisau.

► **Gbr.34:** 1. Mata gergaji 2. Tanda panah

2. Pasang flensa luar dan baut soket segi enam, dan kemudian gunakan kunci L untuk mengencangkan baut soket segi enam (putar kiri) spindle dengan kuat berlawanan arah jarum jam sambil menekan kunci poros.

3. Kembalikan pelindung mata pisau dan penutup tengah ke posisi semula. Lalu kencangkan baut soket segi enam dari penutup tengah berlawanan arah jarum jam untuk mengunci penutup tengah.

4. Lepaskan pegangan dari posisi yang dinaikkan dengan menarik pasak penahan. Turunkan pegangan untuk memastikan bahwa pelindung mata pisau bergerak dengan benar.

5. Pastikan kunci poros telah melepas spindle sebelum melakukan pemotongan.

Untuk mesin dengan flensa dalam untuk mata gergaji dengan diameter lubang 15,88 mm

Negara tertentu

Pasangkan flensa dalam dengan sisi resesi yang menghadap keluar ke dalam poros pemasangan dan kemudian tempatkan mata pisau (dengan cincin dipasangkan jika diperlukan), flensa luar dan baut kepala segi enam.

Untuk mesin tanpa cincin

► **Gbr.35:** 1. Flensa luar 2. Mata gergaji 3. Flensa dalam 4. Baut soket segi enam (putar kiri) 5. Spindel

Untuk mesin dengan cincin

► **Gbr.36:** 1. Flensa luar 2. Mata gergaji 3. Flensa dalam 4. Baut soket segi enam (putar kiri) 5. Cincin 6. Spindel

⚠PERINGATAN: Jika cincin diperlukan untuk memasang pisau ke dalam spindle, selalu pastikan cincin yang benar untuk lubang arbor pisau yang Anda tentukan untuk digunakan dipasang antara flensa dalam dan luar.

Penggunaan cincin lubang arbor yang tidak tepat dapat menyebabkan pemasangan yang tidak tepat pada pisau yang menyebabkan gerakan pisau dan getaran parah yang menyebabkan hilangnya kendali selama pengoperasian dan cedera personal yang serius.

Untuk mesin dengan flensa dalam untuk mata gergaji dengan diameter lubang selain 20 mm atau 15,88 mm

Negara tertentu

Flensa dalam memiliki bagian pemasangan mata pisau dengan diameter khusus pada satu sisinya dan bagian pemasangan mata pisau dengan diameter yang berbeda pada sisi lainnya. Pilih sisi yang benar di mana bagian pemasangan mata pisau pas dengan lubang mata gergaji dengan sempurna.

► **Gbr.37:** 1. Flensa luar 2. Mata gergaji 3. Flensa dalam 4. Baut soket segi enam (putar kiri) 5. Spindel 6. Bagian pemasangan mata pisau

⚠PERHATIAN: Pastikan bagian pemasangan mata pisau "a" pada flensa dalam yang dipasang di luar benar-benar pas dengan lubang mata gergaji "a". Memasang mata pisau di sisi yang salah dapat mengakibatkan getaran yang berbahaya.

Menyambungkan pengisap debu

Jika Anda ingin melakukan operasi pemotongan yang bersih, sambungkan pengisap debu Makita.

► **Gbr.38**

Kantong debu

Pilihan Aksesori

Penggunaan kantong debu membuat pekerjaan pemotongan menjadi lebih bersih dan mempermudah pengumpulan debu.

Untuk memasang kantong debu, pasangkan pada nosel debu.

Untuk memasang pengencang, sejajarkan ujung atas pengencang dengan tanda segitiga pada kantong debu. Ketika kantong debu sudah berisi kira-kira setengah penuh, lepas kantong debu dari mesin dan cabut pengencangnya. Kosongkan isi kantong debu, tepuk dengan perlahan untuk membuang partikel-partikel yang menempel di bagian dalam yang mungkin bisa menghambat pengumpulan debu selanjutnya.

► **Gbr.39:** 1. Kantong debu 2. Nosel debu 3. Pengencang

Mengencangkan benda kerja

⚠️ PERINGATAN: Merupakan hal yang sangat penting untuk selalu mengencangkan benda kerja dengan tipe ragum yang benar. Kegagalan dalam melakukannya dapat mengakibatkan cedera badan serius dan dapat merusak mesin dan/atau benda kerja.

⚠️ PERINGATAN: Ketika memotong benda kerja yang lebih panjang dari dukungan tumpuan gergaji, topang keseluruhan panjang material di bawah dukungan tumpuan dan dengan tinggi yang sama untuk menjaga material tetap sejajar. Tumpuan benda kerja yang memadai membantu untuk menghindari jepitan mata pisau dan hentakan balik yang dapat menyebabkan cedera badan serius. Jangan hanya mengandalkan pada ragum vertikal dan/atau horizontal untuk mengikat benda kerja. Bahan yang tipis cenderung akan merosot. Topang benda kerja pada keseluruhan panjangnya untuk menghindari kemungkinan jepitan mesin dan HENTAKAN BALIK.

► **Gbr.40:** 1. Tumpuan 2. Dudukan putar

Ragum vertikal

⚠️ PERINGATAN: Pasang benda kerja dengan kuat pada dudukan putar dan pembatas pemandu dengan menggunakan ragum selama pengoperasian. Jika tidak bahan akan bergerak selama pemotongan, menyebabkan kerusakan pada mata pisau, dan terjatuh yang mengakibatkan kehilangan kontrol dan cedera badan serius.

Pasang ragum vertikal pada sisi kanan atau kiri dari pembatas pemandu atau rakitan penahan. Masukkan batang ragum ke dalam lubang pembatas pemandu atau rakitan penahan dan kencangkan sekrup bawah untuk mengencangkan batang ragum.

► **Gbr.41:** 1. Lengan ragum 2. Batang ragum
3. Pembatas pemandu 4. Penahan
5. Rakitan penahan 6. Knop ragum
7. Sekrup bawah 8. Sekrup atas

Posisikan lengan ragum sesuai dengan ketebalan dan bentuk benda kerja lalu kunci posisi lengan ragum dengan mengencangkan sekrup atas. Jika sekrup atas mengenai pembatas pemandu, pasang sekrup bawah di sisi berlawanan dari lengan ragum. Pastikan bahwa tidak ada bagian dari mesin yang mengenai ragum saat menurunkan pegangan sepenuhnya dan menarik atau mendorong mesin sepenuhnya. Jika ada yang menyentuh ragum, posisikan kembali ragumnya. Tekan benda kerja secara merata pada pembatas pemandu dan dudukan putar. Posisi benda kerja pada posisi pemotongan yang diinginkan dan kunci posisinya kuat-kuat dengan mengencangkan knop ragum.

Ragum horizontal

Pilihan Aksesori

⚠️ PERINGATAN: Pegang benda kerja hanya ketika indikator berada pada posisi paling atas. Kelalaian dalam melakukannya dapat mengakibatkan kurang kencangnya benda kerja. Ini dapat menyebabkan benda kerja terjatuh, menyebabkan kerusakan pada mata pisau atau menyebabkan kehilangan kontrol, sehingga mengakibatkan cedera serius.

► **Gbr.42:** 1. Knop ragum 2. Indikator 3. Poros ragum
4. Dudukan

Ragum horizontal dapat dipasang pada sisi kiri dudukan.

Dengan memutar knop ragum berlawanan arah jarum jam, sekrup dilepaskan dan poros ragum dapat dipindahkan ke dalam dan keluar dengan cepat. Dengan memutar knop ragum searah jarum jam, sekrup tetap kencang.

Untuk memegang benda kerja, putar knop ragum searah jarum jam hingga indikator mencapai posisi paling atas, lalu kencangkan dengan kuat. Jika knop ragum ditekan ke dalam atau ditarik keluar ketika sedang diputar searah jarum jam, indikator akan berhenti pada suatu sudut. Dalam kasus ini, putar knop ragum kembali berlawanan arah jarum jam hingga sekrup dilepaskan, lalu putar lagi perlahan searah jarum jam.

Kapasitas maksimum ragum horizontal adalah lebar 120 mm.

Penahan dan rakitan penahan

Pilihan Aksesori

⚠️ PERHATIAN: Untuk mesin yang dilengkapi dengan penahan dan rakitan penahan sebagai aksesori standar, jenis penggunaan ini tidak diizinkan karena peraturan negara.

⚠️ PERINGATAN: Selalu topang benda kerja panjang sehingga sejajar dengan permukaan atas dudukan putar untuk potongan yang akurat dan untuk mencegah kehilangan kontrol mesin yang berbahaya. Tumpuan benda kerja yang memadai membantu untuk menghindari jepitan mata pisau dan hentakan balik yang dapat menyebabkan cedera badan serius.

Penahan dan rakitan penahan (aksesori pilihan) dapat dipasang pada kedua sisi sebagai cara termudah untuk menopang benda kerja secara horizontal.

Pasang keduanya pada sisi mesin, lalu kencangkan sekrup dengan kuat untuk mengunci.

► **Gbr.43:** 1. Penahan 2. Rakitan penahan

Ketika memotong benda kerja panjang, gunakan rakitan batang penahan (aksesori pilihan). Ini terdiri dari dua rakitan penahan dan dua batang 12.

► **Gbr.44:** 1. Rakitan penahan 2. Batang 12

PENGUNAAN

⚠️ PERINGATAN: Pastikan bahwa mata pisau tidak menyentuh benda kerja, dsb. sebelum sakelar dinyalakan. Menyalakan mesin dengan mata pisau yang mengenai benda kerja dapat menyebabkan hentakan balik dan cedera badan serius.

⚠️ PERINGATAN: Setelah pekerjaan pemotongan, jangan menaikkan mata pisau sampai mata pisainya benar-benar berhenti. Naiknya mata pisau yang bergerak meluncur dapat menyebabkan cedera badan serius dan kerusakan pada benda kerja.

⚠️ PERINGATAN: Jangan menyentuh sekrup jepit yang mengencangkan tiang geser ketika mata gergaji berputar. Jika tidak mesin dapat kehilangan kontrol dan menyebabkan cedera badan.

⚠️ PERHATIAN: Jangan melepaskan kepala gergaji tanpa kendali dari posisi sepenuhnya ke bawah. Kepala gergaji yang tidak terkendali dapat mengenai Anda dan akan mengakibatkan cedera pribadi.

PEMBERITAHUAN: Sebelum digunakan, pastikan untuk melepaskan pegangan dari posisi yang diturunkan dengan menarik pasak penahan.

PEMBERITAHUAN: Jangan terlalu menekan pegangan saat memotong. Gaya yang terlalu banyak dapat mengakibatkan kelebihan beban pada motor dan/atau penurunan efisiensi pemotongan. Tekan pegangan ke bawah hanya dengan gaya yang diperlukan untuk pemotongan halus dan tanpa menurunkan kecepatan mata pisau secara signifikan.

PEMBERITAHUAN: Tekan pegangan ke bawah perlahan untuk melakukan pemotongan. Jika pegangan ditekan dengan kuat atau diberi gaya lateral, pisau akan bergetar dan meninggalkan tanda (tanda gergaji) di benda kerja dan presisi pemotongan akan berkurang.

PEMBERITAHUAN: Selama pemotongan menyerong, tekan perlahan mesin ke arah pembatas pelindung tanpa berhenti. Jika pergerakan mesin berhenti selama pemotongan, akan meninggalkan tanda pada benda kerja dan presisi pemotongan terganggu.

Pemotongan tekan (memotong benda kerja kecil)

⚠️ PERINGATAN: Kencangkan dengan kuat dua sekrup jepit yang mengunci tiang geser searah jarum jam sehingga mesin tidak akan bergeser selama pengoperasian. Sekrup pengunci yang dikencangkan dengan kurang kuat akan menyebabkan kemungkinan hentakan balik yang mengakibatkan cedera badan serius.

► **Gbr.45:** 1. Sekrup putar 2. Rakitan penahan

Benda kerja yang tingginya sampai 52 mm dan lebarnya 97 mm dapat dipotong dengan cara berikut.

1. Dorong mesin ke arah pembatas pelindung secara penuh dan kencangkan dua sekrup jepit yang mengunci tiang geser searah jarum jam untuk mengencangkan mesin.
2. Kencangkan benda kerja dengan tipe ragum yang sesuai.
3. Nyalakan mesin dengan kondisi mata pisau tidak menyentuh apapun dan tunggu sampai mata pisau mencapai kecepatan penuh sebelum diturunkan.
4. Turunkan pegangan secara perlahan sampai ke posisi diturunkan sepenuhnya untuk memotong benda kerja.
5. Saat pemotongan selesai, matikan mesin dan tunggu sampai mesin benar-benar berhenti sebelum mengembalikan mata pisau ke posisi dinaikkan sepenuhnya.

Potongan menyerong (dorong) (memotong benda kerja lebar)

⚠️ PERINGATAN: Ketika melakukan pemotongan menyerong, pertama-tama tarik mesin secara penuh ke arah Anda dan tekan pegangan sepenuhnya ke bawah, lalu dorong mesin ke arah pembatas pelindung. Jangan pernah memulai pemotongan dengan mesin yang tidak ditarik ke arah Anda sepenuhnya. Jika Anda melakukan pemotongan menyerong tanpa menarik penuh mesin ke arah Anda hentakan balik yang tidak diharapkan dapat terjadi dan mengakibatkan cedera badan serius.

⚠️ PERINGATAN: Jangan pernah mencoba melakukan pemotongan menyerong dengan menarik mesin ke arah Anda. Menarik mesin ke arah Anda ketika proses pemotongan dapat menyebabkan hentakan balik yang tidak diharapkan yang mengakibatkan cedera badan serius.

⚠️ PERINGATAN: Jangan pernah melakukan pemotongan menyerong dengan pegangan yang terkunci pada posisi lebih rendah.

⚠️ PERINGATAN: Jangan pernah melonggarkan knop yang mengencangkan mesin ketika mata pisau berputar. Mesin yang longgar ketika proses pemotongan dapat menyebabkan hentakan balik yang tidak diharapkan yang mengakibatkan cedera badan serius.

► **Gbr.46:** 1. Sekrup putar 2. Rakitan penahan

1. Longgarkan dua sekrup jepit yang mengunci tiang geser berlawanan arah jarum jam sehingga mesin dapat digeser dengan bebas.
2. Kencangkan benda kerja dengan tipe ragum yang sesuai.
3. Tarik mesin secara penuh ke arah Anda.
4. Nyalakan mesin dengan kondisi mata pisau tidak menyentuh apa pun dan tunggu sampai mata pisau mencapai kecepatan penuh.
5. Tekan pegangan ke bawah dan dorong mesin ke arah pembatas pelindung dan ke arah benda kerja.

6. Saat pemotongan selesai, matikan mesin dan **tunggu sampai mesin benar-benar berhenti** sebelum mengembalikan mata pisau ke posisi dinaikkan sepenuhnya.

Pemotongan sudut miter

Lihat bagian untuk menyétel sudut miter.

Potongan siku-siku

⚠️PERINGATAN: Setelah menyétel mata pisau untuk potongan siku-siku, sebelum mengoperasikan alat pastikan mesin dan mata pisau dapat menjangkau dengan bebas seluruh rentang pemotongan yang diinginkan. Gangguan pada mesin atau jangkauan mata pisau selama pemotongan dapat mengakibatkan hentakan balik dan cedera badan serius.

⚠️PERINGATAN: Selama melakukan pemotongan siku-siku, jauhkan tangan Anda dari jalur mata pisau. Sudut mata pisau dapat disangka sebagai jalur mata pisau sebenarnya oleh operator ketika memotong dan sentuhan dengan mata pisau dapat mengakibatkan cedera badan serius

⚠️PERINGATAN: Mata pisau tidak boleh dinaikkan hingga mata pisau benar-benar berhenti. Selama pemotongan siku-siku bagian yang dipotong dapat terjatuh ke arah mata pisau. Jika mata pisau dinaikkan ketika sedang berputar, potongan dapat dilontarkan oleh mata pisau yang menyebabkan bahan menjadi pecahan yang dapat mengakibatkan cedera badan serius.

⚠️PERHATIAN: (Hanya untuk mesin dengan anak pembatas) **Selalu setel anak pembatas di luar ketika melakukan pemotongan siku-siku kiri.**

► **Gbr.47:** 1. Rakitan penahan

1. Longgarkan tuas dan miringkan mata gergaji untuk menyétel sudut siku-siku (Lihat "Menyétel sudut siku-siku" yang telah dijelaskan sebelumnya). Pastikan untuk mengencangkan kembali tuas dengan kuat untuk mengunci sudut siku-siku yang dipilih dengan aman.
2. Kencangkan benda kerja dengan ragum.
3. Tarik mesin secara penuh ke arah Anda.
4. Nyalakan mesin dengan kondisi mata pisau tidak menyentuh apa pun dan tunggu sampai mata pisau mencapai kecepatan penuh.
5. Turunkan pegangan perlahan sepenuhnya ke posisi yang lebih rendah ketika menekan secara sejajar dengan mata pisau dan **dorong mesin ke arah pembatas pelindung untuk memotong benda kerja.**
6. Saat pemotongan selesai, matikan mesin dan **tunggu sampai mesin benar-benar berhenti** sebelum mengembalikan mata pisau ke posisi dinaikkan sepenuhnya.

PEMBERITAHUAN: Saat menekan pegangan ke bawah, beri tekanan yang sejajar dengan mata pisau. Jika tekanan diberikan tegak lurus dengan dukungan putar atau jika arah tekanan diganti selama pemotongan, presisi pemotongan akan terganggu.

Pemotongan campuran

Pemotongan campuran adalah proses di mana sudut siku-siku dibuat secara bersamaan saat sudut miter dibuat di benda kerja. Pemotongan campuran dapat dilakukan pada sudut yang ditunjukkan pada tabel.

Sudut miter	Sudut siku-siku
Kiri dan Kanan 45°	Kiri 0° - 45°
Kanan 50°	Kiri 0° - 40°
Kanan 55°	Kiri 0° - 30°
Kanan 57°	Kiri 0° - 25°

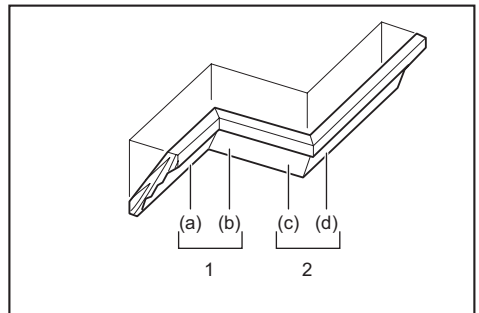
Saat melakukan pemotongan campuran, merujuklah pada penjelasan "Pemotongan tekan", "Pemotongan sudut miter" dan "Pemotongan siku-siku".

Memotong cetakan berbingkai dan melengkung

Cetakan berbingkai dan melengkung dapat dipotong dengan gergaji miter kombinasi dengan cetakan diletakkan lurus pada kedudukan putar. Terdapat dua tipe cetakan berbingkai pada umumnya dan satu tipe cetakan melengkung, cetakan berbingkai dengan sudut dinding 52/38°, cetakan berbingkai dengan sudut dinding 45° dan cetakan melengkung dengan sudut dinding 45°.

- **Gbr.48:** 1. Cetakan berbingkai tipe 52/38°
2. Cetakan berbingkai tipe 45° 3. Cetakan melengkung tipe 45°

Terdapat gabungan cetakan berbingkai dan melengkung yang dibuat untuk menyesuaikan dengan sudut 90° "dalam" ((a) dan (b) pada gambar) dan sudut 90° "luar" ((c) dan (d) pada gambar.)



1. Sudut dalam 2. Sudut luar

► **Gbr.49:** 1. Sudut dalam 2. Sudut luar

Mengukur

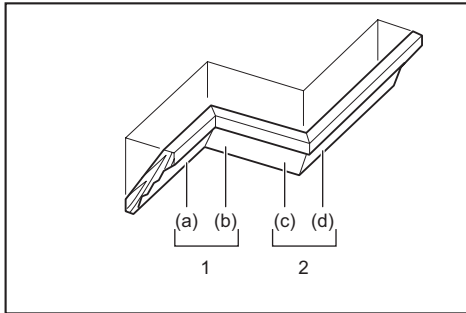
Ukur lebar dinding dan sesuaikan lebar benda kerja dengan dinding. Selalu pastikan lebar dinding benda kerja yang menyentuh tepian memiliki panjang yang sama dengan dinding.

- **Gbr.50:** 1. Benda kerja 2. Lebar dinding 3. Lebar benda kerja 4. Tepian yang menyentuh dinding

Selalu gunakan beberapa potongan untuk menguji pemotongan untuk memeriksa sudut gergaji.

Ketika memotong cetakan berbingkai dan melengkung, atur sudut siku-siku dan sudut miter seperti yang ditunjukkan pada tabel (A) dan posisikan cetakan pada bagian atas permukaan dudukan gergaji seperti yang ditunjukkan pada tabel (B).

Untuk kasus pemotongan siku-siku kiri



1. Sudut dalam 2. Sudut luar

Tabel (A)

-	Posisi cetakan pada gambar	Sudut siku-siku		Sudut miter	
		Tipe 52/38°	Tipe 45°	Tipe 52/38°	Tipe 45°
Untuk sudut dalam	(a)	Kiri 33,9°	Kiri 30°	Kanan 31,6°	Kanan 35,3°
	(b)			Kiri 31,6°	Kiri 35,3°
Untuk sudut luar	(c)			Kanan 31,6°	Kanan 35,3°
	(d)				

Tabel (B)

-	Posisi cetakan pada gambar	Tepian cetakan pada pembatas pelindung	Potongan yang telah selesai
Untuk sudut dalam	(a)	Tepian yang menyentuh langit-langit harus berlawanan dengan pembatas pelindung.	Potongan yang telah selesai akan berada pada sisi kiri mata pisau.
	(b)	Tepian yang menyentuh dinding harus berlawanan dengan pembatas pelindung.	
Untuk sudut luar	(c)	Tepian yang menyentuh langit-langit harus berlawanan dengan pembatas pelindung.	Potongan yang telah selesai akan berada pada sisi Kanan mata pisau.
	(d)	Tepian yang menyentuh langit-langit harus berlawanan dengan pembatas pelindung.	

Contoh:

Pada kasus pemotongan cetakan berbingkai tipe 52/38° untuk posisi (a) pada gambar di atas:

- Miringkan dan kencangkan pengaturan sudut siku-siku ke 33,9° KIRI.
- Setel dan kencangkan pengaturan sudut miter ke 31,6° KANAN.
- Simpan cetakan berbingkai dengan permukaan bagian belakang yang luas (tersembunyi) menghadap ke bawah pada dudukan putar dengan TEPIAN YANG MENYENTUH LANGIT-LANGIT berlawanan dengan pembatas pelindung pada gergaji.
- Potongan yang telah selesai yang akan digunakan akan selalu berada pada sisi KIRI mata pisau setelah pemotongan dilakukan.

Memotong ekstrusi aluminium

- **Gbr.51:** 1. Ragum 2. Balok penganjal 3. Pembatas pemandu 4. Ekstrusi aluminium 5. Balok penganjal

Saat mengencangkan ekstrusi aluminium, gunakan balok peruang atau potongan bahan bekas seperti ditunjukkan pada gambar untuk mencegah perubahan bentuk pada aluminium. Gunakan pelumas potong ketika memotong ekstrusi aluminium untuk mencegah terjadinya penumpukan bahan aluminium pada mata pisau.

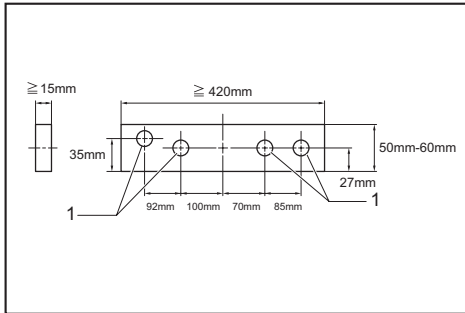
PERHATIAN: Jangan sekali-kali mencoba untuk memotong ekstrusi aluminium yang tebal atau bulat. Ekstrusi aluminium yang tebal mungkin saja terlepas selama operasi dan ekstrusi aluminium bulat tidak dapat dikencangkan dengan kuat menggunakan mesin ini.

Permukaan kayu

PERINGATAN: Gunakan sekrup untuk memasang permukaan kayu ke pembatas pelindung. Sekrup harus dipasang sehingga kepala sekrup berada di bawah permukaan kayu agar tidak menghalangi posisi bahan yang sedang dipotong. Kesalahan penempatan bahan yang sedang dipotong dapat menyebabkan pergerakan yang tidak diharapkan selama melakukan pemotongan yang dapat mengakibatkan kehilangan kontrol dan cedera badan serius.

PERHATIAN: Gunakan kayu yang lurus dengan ketebalan yang rata sebagai permukaan kayu.

Gunakan permukaan kayu untuk membantu memastikan potongan yang bebas serpihan pada benda kerja. Pasangkan permukaan kayu pada pembatas pelindung menggunakan lubang pada pembatas pelindung. Lihat gambar mengenai dimensi untuk permukaan kayu yang disarankan.



1. Lubang

PEMBERITAHUAN: Ketika permukaan kayu dipasang, jangan memutar kedudukan putar dengan pegangan yang diturunkan. Mata pisau dan/atau permukaan kayu akan rusak.

Memotong panjang berulang

PERHATIAN: Untuk mesin yang dilengkapi dengan penahan dan rakitan penahan sebagai aksesori standar, jenis penggunaan ini tidak diizinkan karena peraturan negara.

Ketika memotong beberapa potongan kayu dengan panjang yang sama, dengan rentang dari 220 mm hingga 385 mm, gunakan pelat pengatur (aksesori pilihan). Pasang pelat pengatur pada penahan (aksesori pilihan) seperti yang terlihat pada gambar.

► **Gbr.52:** 1. Pelat pengatur 2. Penahan 3. Sekrup

Sejajarkan garis pemotongan pada benda kerja anda dengan sisi kanan atau kiri alur pada papan garitan, dan ketika menahan benda kerja, gerakan ujung atas pelat pengatur berlawanan dengan ujung benda kerja. Lalu kencangkan pelat pengatur dengan sekrup. Ketika pelat pengatur tidak digunakan, longgarkan sekrup dan lepaskan pelat pengatur.

CATATAN: Gunakan rakitan batang penahan (aksesori pilihan) yang memungkinkan pemotongan panjang berulang hingga sekitar 2.200 mm.

Pemotongan alur

PERINGATAN: Jangan mencoba untuk melakukan tipe pemotongan ini dengan menggunakan tipe mata pisau yang lebih lebar atau mata pisau dado. Mencoba untuk membuat potongan alur dengan mata pisau yang lebih besar atau mata pisau dado dapat menyebabkan hasil pemotongan dan hentakan balik yang tidak diharapkan yang dapat mengakibatkan cedera badan serius.

PERINGATAN: Pastikan untuk mengembalikan lengan penahan ke posisi semula ketika melakukan selain pemotongan alur. Mencoba untuk membuat potongan dengan lengan penahan pada posisi yang salah dapat menyebabkan hasil pemotongan dan hentakan balik yang tidak diharapkan yang dapat mengakibatkan cedera badan serius.

Untuk potongan tipe dado, lakukan hal berikut:

1. Setel posisi batas bawah mata gergaji bundar dengan menggunakan sekrup penyetel dan lengan penahan untuk membatasi kedalaman pemotongan mata gergaji bundar. Lihat pada bagian untuk lengan penahan.
 2. Setelah menyetel posisi batas bawah mata gergaji bundar, potong alur sejajar melintasi sepanjang lebar benda kerja menggunakan potongan menyerong (dorong).
- **Gbr.53:** 1. Memotong alur dengan mata pisau
3. Lepaskan bahan benda kerja di antara alur dengan alat pahat.

Membawa mesin

PERINGATAN: Pasak penahan hanya untuk tujuan membawa dan menyimpan dan jangan pernah digunakan untuk melakukan pemotongan apa pun. Penggunaan pasak penahan untuk melakukan pemotongan dapat menyebabkan pergerakan mata gergaji yang tidak diharapkan dan mengakibatkan hentakan balik dan cedera badan serius.

PERHATIAN: Selalu kencangkan semua bagian yang bergerak sebelum mesin dibawa. Jika bagian mesin bergerak atau bergeser ketika sedang dibawa, kehilangan kontrol atau keseimbangan dapat terjadi yang mengakibatkan cedera badan.

► **Gbr.54**

1. Lepaskan kartrid baterai.
2. Kencangkan mata pisau pada sudut siku-siku 0° dan putar kedudukan putar hingga posisi sudut miter kanan penuh.
3. Kencangkan tiang geser hingga tiang geser bawah terkunci pada posisi di mana mesin ditarik penuh ke arah operator dan tiang atas terkunci pada posisi di mana mesin didorong secara penuh ke arah pembatas pelindung.
4. Turunkan pegangan sepenuhnya dan kunci pada posisi diturunkan dengan mendorong pasak penahan.

5. Bawa mesin dengan menahan kedua sisi dudukan mesin. Jika Anda melepaskan penahan, kantong debu, dll, Anda dapat membawa mesin dengan lebih mudah.

PERAWATAN

⚠️ PERINGATAN: Selalu pastikan bahwa mata pisau tajam dan bersih untuk mendapatkan kinerja terbaik dan teraman. Mencoba untuk memotong dengan mata pisau yang tumpul dan / atau kotor karena akan menyebabkan hentakan balik dan menyebabkan cedera badan serius.

⚠️ PERHATIAN: Selalu pastikan bahwa mesin dimatikan dan kartrid baterai dilepas sebelum melakukan pemeriksaan atau perawatan.

PEMBERITAHUAN: Jangan sekali-kali menggunakan bensin, tiner, alkohol, atau bahan sejenisnya. Penggunaan bahan demikian dapat menyebabkan perubahan warna, perubahan bentuk atau timbulnya retakan.

Menyetel sudut pemotongan

Mesin ini disetel dan disejajarkan dengan cermat di pabrik, namun penanganan yang kasar mungkin akan mempengaruhi kesejajarannya. Jika mesin Anda tidak sejajar dengan baik, lakukan sebagaimana berikut:

Sudut miter

1. Dorong mesin ke arah pembatas pelindung dan kencangkan dua sekrup jepit untuk mengencangkan mesin.
2. Putar dudukan putar hingga penunjuk mengarah ke 0° pada skala miter.
3. Putar dudukan putar sedikit searah jarum jam dan berlawanan arah jarum jam untuk menempatkan dudukan putar pada takik miter 0°. (Biarkan seperti asalnya jika penunjuk tidak mengarah ke 0°.)
4. Longgarkan baut soket segi enam yang mengencangkan pembatas pemandu menggunakan kunci L.
▶ **Gbr.55:** 1. Pembatas pemandu 2. Baut soket segi enam
5. Turunkan pegangan sepenuhnya dan kunci pada posisi diturunkan dengan mendorong pasak penahan.
6. Setel pembatas pemandu hingga mencapai sudut tegak lurus dengan mata pisau menggunakan penggaris segitiga, penggaris siku-siku, dll. Lalu kencangkan dengan kuat baut soket segi enam pada pembatas pemandu untuk memulai dari sisi kanan.
▶ **Gbr.56:** 1. Penggaris segitiga 2. Pembatas pemandu
7. Pastikan bahwa penunjuk mengarah ke 0° pada skala miter. Jika penunjuk tidak mengarah ke 0°, longgarkan sekrup yang mengencangkan penunjuk dan setel penunjuk sampai mengarah ke 0°.
▶ **Gbr.57:** 1. Sekrup 2. Skala miter 3. Penunjuk

Sudut siku-siku

Sudut siku-siku 0°

- ▶ **Gbr.58:** 1. Tuas 2. Penahan lengan 3. Baut penyetal sudut siku-siku 0° 4. Lengan 5. Tombol pelepas

1. Dorong mesin ke arah pembatas pelindung dan kencangkan dua sekrup jepit untuk mengencangkan mesin.
2. Turunkan pegangan sepenuhnya dan kunci pada posisi diturunkan dengan mendorong pasak penahan.
3. Kendurkan tuas di bagian belakang mesin.
4. Putar baut penyetal sudut siku-siku 0° (baut bawah) di sisi kanan lengan sebanyak dua atau tiga putaran berlawanan arah jarum jam untuk memiringkan mata pisau ke kanan.
5. Putar baut penyetal sudut siku-siku 0° searah jarum jam dengan hati-hati hingga sisi mata pisau membuat sudut tegak lurus dengan permukaan atas dudukan putar. Gunakan penggaris segitiga, penggaris siku-siku, dll sebagai pemandu. Lalu kencangkan tuas dengan kuat.
▶ **Gbr.59:** 1. Penggaris segitiga 2. Mata gergaji 3. Permukaan atas meja putar

6. Pastikan bahwa penunjuk pada lengan mengarah ke 0° pada skala siku-siku. Jika penunjuk tidak mengarah ke 0°, longgarkan sekrup yang mengencangkan penunjuk dan setel penunjuk sampai mengarah ke 0°.

- ▶ **Gbr.60:** 1. Skala sudut siku-siku 2. Penunjuk 3. Sekrup

Sudut siku-siku 45°

- ▶ **Gbr.61:** 1. Baut penyetal sudut siku-siku 45° kiri

Setel sudut siku-siku 45° hanya setelah melakukan penyetalan sudut siku-siku 0°.

1. Longgarkan tuas dan miringkan mata pisau ke arah kiri sepenuhnya.
2. Pastikan bahwa penunjuk pada lengan mengarah ke 45° pada skala siku-siku. Jika penunjuk tidak mengarah ke 45°, putar baut penyetal sudut siku-siku 45° (baut atas) pada sisi kanan lengan hingga penunjuk mengarah ke 45°.

Setelah penggunaan

Setelah digunakan, buang geram dan debu yang menempel pada mesin menggunakan kain atau sejenisnya. Jaga agar pelindung mata pisau tetap bersih sesuai dengan petunjuk berjudul "Pelindung mata mesin" yang dijelaskan sebelumnya. Lumasi bagian yang bergeser dengan minyak mesin untuk mencegah timbulnya karat.

Ketika menyimpan mesin, tarik mesin ke arah Anda sepenuhnya hingga tiang geser masuk sepenuhnya ke dalam dudukan putar.

Untuk menjaga KEAMANAN dan KEANDALAN mesin, perbaikan, perawatan atau penyetalan lainnya harus dilakukan oleh Pusat Layanan Resmi atau Pabrik Makita; selalu gunakan suku cadang pengganti buatan Makita.

AKSESORI PILIHAN

⚠️ PERINGATAN: Dianjurkan untuk menggunakan aksesori atau perangkat tambahan Makita ini dengan mesin Makita Anda yang ditentukan dalam petunjuk ini. Penggunaan aksesori atau perangkat tambahan lainnya dapat mengakibatkan cedera badan serius.

⚠️ PERINGATAN: Hanya gunakan aksesori atau perangkat tambahan Makita sesuai dengan peruntukannya. Salah penggunaan dari aksesori atau perangkat tambahan dapat mengakibatkan cedera badan serius.

Jika Anda memerlukan bantuan lebih rinci berkenaan dengan aksesori ini, tanyakan pada Pusat Layanan Makita terdekat.

- Mata gergaji berujung carbide
(Baca situs web kami atau hubungi dealer Makita setempat Anda untuk mata gergaji yang tepat digunakan untuk material yang akan dipotong.)
- Rakitan ragum (Ragum horizontal)
- Ragum vertikal
- Rakitan penahan
- Rakitan batang penahan
- Pelat pengatur
- Kantong debu
- Penggaris segitiga
- Kunci L
- Baterai dan pengisi daya asli buatan Makita

CATATAN: Beberapa item dalam daftar tersebut mungkin sudah termasuk dalam paket mesin sebagai aksesori standar. Hal tersebut dapat berbeda dari satu negara ke negara lainnya.

THÔNG SỐ KỸ THUẬT

Kiểu máy:	DLS714
Đường kính lưỡi cưa	190 mm
Đường kính lỗ (trục) (quốc gia cụ thể)	20 mm hoặc 15,88 mm
Độ dày rãnh cưa tối đa của lưỡi cưa	2,2 mm
Góc vát chéo tối đa	Trái 47°, Phải 57°
Góc xiên tối đa	Trái 45°, Phải 5°
Tốc độ không tải	5.700 min ⁻¹
Kích thước (Dài x Rộng x Cao)	655 mm x 430 mm x 445 mm
Điện áp định mức	36 V một chiều
Khối lượng tịnh	14,4 - 14,7 kg

- Do chương trình nghiên cứu và phát triển liên tục của chúng tôi nên các thông số kỹ thuật trong đây có thể thay đổi mà không cần thông báo trước.
- Các thông số kỹ thuật có thể thay đổi tùy theo từng quốc gia.
- Khối lượng có thể khác nhau tùy thuộc vào (các) phụ kiện, bao gồm cả hộp pin. Tổ hợp nhẹ nhất và nặng nhất, theo Quy trình EPTA 01/2014, được trình bày trong bảng.

Hộp pin và sạc pin có thể áp dụng

Hộp pin	BL1815N / BL1820B / BL1830B / BL1840B / BL1850B / BL1860B
Bộ sạc	DC18RC / DC18RD / DC18RE / DC18SD / DC18SE / DC18SF / DC18SH

- Một số hộp pin và sạc pin được nêu trong danh sách ở trên có thể không khả dụng tùy thuộc vào khu vực cư trú của bạn.

⚠ CẢNH BÁO: Chỉ sử dụng hộp pin và sạc pin được nêu trong danh sách ở trên. Việc sử dụng bất cứ hộp pin và sạc pin nào khác có thể gây ra thương tích và/hoặc hỏa hoạn.

Công suất cắt (Cao x Rộng) với lưỡi cưa với đường kính 190 mm

Góc vát chéo	Góc xiên		
	45° (trái)	0°	5° (phải)
0°	40 mm x 300 mm	52 mm x 300 mm	40 mm x 300 mm
	45 mm x 265 mm (CHÚ Ý 1)	60 mm x 265 mm (CHÚ Ý 1)	–
45° (trái và phải)	40 mm x 212 mm	52 mm x 212 mm	–
	45 mm x 185 mm (CHÚ Ý 2)	60 mm x 185 mm (CHÚ Ý 2)	–
57° (phải)	–	52 mm x 163 mm	–
	–	60 mm x 145 mm (CHÚ Ý 3)	–

- Công suất cắt tối đa khi sử dụng lớp ốp gỗ có độ dài 20 mm
- Công suất cắt tối đa khi sử dụng lớp ốp gỗ có độ dài 15 mm
- Công suất cắt tối đa khi sử dụng lớp ốp gỗ có độ dài 10 mm

Ký hiệu

Phản dưới đây cho biết các ký hiệu có thể được dùng cho thiết bị. Đảm bảo rằng bạn hiểu rõ ý nghĩa của các ký hiệu này trước khi sử dụng.



Đọc tài liệu hướng dẫn.



Để tránh thương tích do các mảnh vụn bay, sau khi cắt, ấn giữ đầu cửa xuống cho đến khi lưỡi của đĩa đến điểm dừng cuối cùng.



Khi thực hiện cắt trượt, trước tiên kéo hoàn toàn bàn trượt và ấn tay cầm xuống, rồi đẩy bàn trượt về phía tấm chắn dẫn hướng.



Không được đặt bàn tay hoặc ngón tay gần các lưỡi cưa.



Luôn đặt TÂM CHẮN PHỤ sang vị trí bên trái khi thực hiện cắt xiên trái. Không làm như vậy có thể gây ra thương tích nghiêm trọng khi vận hành.



Ni-MH
Li-Ion

Chỉ dành cho các quốc gia EU
Do có các thành phần nguy hiểm bên trong thiết bị điện và điện tử, ắc quy và pin thải bỏ nên có thể có tác động không tốt đến môi trường và sức khỏe con người. Không vứt bỏ các thiết bị điện và điện tử hoặc pin với rác thải sinh hoạt!
Theo Chỉ thị của Châu Âu về thiết bị điện và điện tử thải bỏ và về pin và ắc quy và pin và ắc quy thải bỏ, cũng như sự thích ứng của chúng với luật pháp quốc gia, các thiết bị điện, pin và ắc quy thải phải được cất giữ riêng biệt và chuyển đến một điểm thu gom rác thải đô thị riêng, hoạt động theo các quy định về bảo vệ môi trường. Điều này được biểu thị bằng biểu tượng thùng rác có bánh xe gạch chéo được đặt trên thiết bị.

Mục đích sử dụng

Dụng cụ này được thiết kế để cắt thẳng và cắt vát góc chính xác cho vật liệu gỗ. Không được sử dụng cưa để cắt các vật liệu khác ngoài gỗ, nhôm hoặc vật liệu tương tự.

CẢNH BÁO AN TOÀN

Cảnh báo an toàn chung dành cho dụng cụ máy

⚠ CẢNH BÁO: Xin đọc tất cả các cảnh báo an toàn, hướng dẫn, minh họa và thông số kỹ thuật đi kèm với dụng cụ máy này. Việc không tuân theo các hướng dẫn dẫn liệt kê dưới đây có thể dẫn đến điện giật, hỏa hoạn và/hoặc thương tích nghiêm trọng.

Lưu giữ tất cả cảnh báo và hướng dẫn để tham khảo sau này.

Thuật ngữ “dụng cụ máy” trong các cảnh báo đề cập đến dụng cụ máy (có dây) được vận hành bằng nguồn điện chính hoặc dụng cụ máy (không dây) được vận hành bằng pin của bạn.

An toàn tại nơi làm việc

- Giữ nơi làm việc sạch sẽ và có đủ ánh sáng.** Nơi làm việc bừa bộn hoặc tối thường dễ gây ra tai nạn.
- Không vận hành dụng cụ máy trong môi trường cháy nổ, ví dụ như môi trường có sự hiện diện của các chất lỏng, khí hoặc bụi dễ cháy.** Các dụng cụ máy tạo tia lửa điện có thể làm bụi hoặc khí bốc cháy.
- Giữ trẻ em và người ngoài tránh xa nơi làm việc khi đang vận hành dụng cụ máy.** Sự xao lãng có thể khiến bạn mất khả năng kiểm soát.

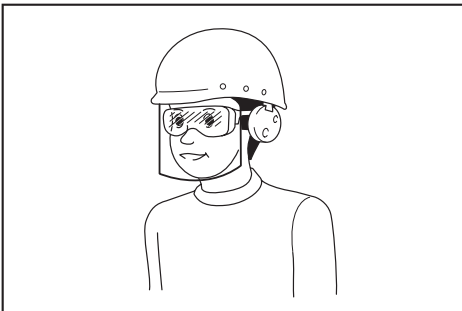
An toàn về Điện

- Phích cắm của dụng cụ máy phải khớp với ổ cắm. Không được sửa đổi phích cắm theo bất kỳ cách nào. Không sử dụng bất kỳ phích chuyển đổi nào với các dụng cụ máy được nối đất (tiếp đất).** Các phích cắm còn nguyên vẹn và ổ cắm phù hợp sẽ giảm nguy cơ điện giật.
- Tránh để cơ thể tiếp xúc với các bề mặt nóng đất hoặc tiếp đất như đường ống, bộ tản nhiệt, bệ ga và tủ lạnh.** Nguy cơ bị điện giật sẽ tăng lên nếu cơ thể bạn được nối đất hoặc tiếp đất.
- Không để dụng cụ máy tiếp xúc với mưa hoặc trong điều kiện ẩm ướt.** Nước lọt vào dụng cụ máy sẽ làm tăng nguy cơ điện giật.
- Không lạm dụng dây điện. Không được phép sử dụng dây để mang, kéo hoặc tháo phích cắm dụng cụ máy. Giữ dây tránh xa nguồn nhiệt, dầu, các mép sắc hoặc các bộ phận chuyển động.** Dây bị hỏng hoặc bị rối sẽ làm tăng nguy cơ điện giật.
- Khi vận hành dụng cụ máy ngoài trời, hãy sử dụng dây kéo dài phù hợp cho việc sử dụng ngoài trời.** Việc dùng dây phù hợp cho việc sử dụng ngoài trời sẽ giảm nguy cơ điện giật.
- Nếu bắt buộc phải vận hành dụng cụ máy ở nơi ẩm ướt, hãy sử dụng nguồn cấp điện được bảo vệ bằng thiết bị ngắt dòng điện rò (RCD).** Việc sử dụng RCD sẽ làm giảm nguy cơ điện giật.
- Các dụng cụ máy có thể tạo ra trường điện từ (EMF) có hại cho người dùng.** Tuy nhiên, người dùng máy trợ tim và những thiết bị y tế tương tự khác nên liên hệ với nhà sản xuất thiết bị và/hoặc bác sĩ để được tư vấn trước khi vận hành dụng cụ này.

An toàn Cá nhân

- Luôn tỉnh táo, quan sát những việc bạn đang làm và sử dụng những phán đoán theo kinh nghiệm khi vận hành dụng cụ máy. Không sử dụng dụng cụ máy khi bạn đang mệt mỏi hoặc chịu ảnh hưởng của ma túy, rượu hay thuốc.** Chỉ một khoảnh khắc không tập trung khi đang vận hành dụng cụ máy cũng có thể dẫn đến thương tích cá nhân nghiêm trọng.

2. **Sử dụng thiết bị bảo hộ cá nhân. Luôn đeo thiết bị bảo vệ mắt.** Các thiết bị bảo hộ như mặt nạ chống bụi, giày an toàn chống trượt, mũ bảo hộ hay thiết bị bảo vệ thính giác được sử dụng trong các điều kiện thích hợp sẽ giúp giảm thương tích cá nhân.
3. **Tránh vô tình khởi động dụng cụ máy. Đảm bảo công tắc ở vị trí off (tắt) trước khi nối nguồn điện và/hoặc bộ pin, cắm hoặc di chuyển dụng cụ máy.** Việc di chuyển dụng cụ máy khi đang đặt ngón tay ở vị trí công tắc hoặc cấp điện cho dụng cụ máy đang bật thường dễ gây ra tai nạn.
4. **Tháo tất cả các khóa hoặc cờ lê điều chỉnh trước khi bật dụng cụ máy.** Việc cờ lê hoặc khóa vẫn còn gắn vào bộ phận quay của dụng cụ máy có thể dẫn đến thương tích cá nhân.
5. **Không với quá cao. Luôn giữ thăng bằng tốt và có chỗ để chân phù hợp.** Điều này cho phép điều khiển dụng cụ máy tốt hơn trong những tình huống bất ngờ.
6. **Ăn mặc phù hợp. Không mặc quần áo rộng hay đeo đồ trang sức. Giữ tóc và quần áo tránh xa các bộ phận chuyển động.** Quần áo rộng, đồ trang sức hay tóc dài có thể mắc vào các bộ phận chuyển động.
7. **Nếu các thiết bị được cung cấp để kết nối các thiết bị thu gom và hút bụi, hãy đảm bảo chúng được kết nối và sử dụng hợp lý.** Việc sử dụng thiết bị thu gom bụi có thể làm giảm những mối nguy hiểm liên quan đến bụi.
8. **Không vì quen thuộc do thường xuyên sử dụng các dụng cụ mà cho phép bạn trở nên tự mãn và bỏ qua các nguyên tắc an toàn dụng cụ.** Một hành động bất cẩn có thể gây ra thương tích nghiêm trọng trong một phần của một giây.
9. **Luôn luôn mang kính bảo hộ để bảo vệ mắt khỏi bị thương khi đang sử dụng các dụng cụ máy. Kính bảo hộ phải tuân thủ ANSI Z87.1 ở Mỹ, EN 166 ở Châu Âu, hoặc AS/NZS 1336 ở Úc/New Zealand. Tại Úc/New Zealand, theo luật pháp, bạn cũng phải mang mặt nạ che mặt để bảo vệ mắt.**



Trách nhiệm của chủ lao động là bắt buộc người vận hành dụng cụ và những người khác trong khu vực làm việc cạnh đó phải sử dụng các thiết bị bảo hộ an toàn thích hợp.

Sử dụng và bảo quản dụng cụ máy

1. **Không dùng lực đối với dụng cụ máy. Sử dụng đúng dụng cụ máy cho công việc của bạn.** Sử dụng đúng dụng cụ máy sẽ giúp thực hiện công việc tốt hơn và an toàn hơn theo giá trị định mức được thiết kế của dụng cụ máy đó.
2. **Không sử dụng dụng cụ máy nếu công tắc không bật và tắt được dụng cụ máy đó.** Mọi dụng cụ máy không thể điều khiển được bằng công tắc đều rất nguy hiểm và phải được sửa chữa.
3. **Rút phích cắm ra khỏi nguồn điện và/hoặc tháo kết nối bộ pin khỏi dụng cụ máy, nếu có thể tháo rời trước khi thực hiện bất kỳ công việc điều chỉnh, thay đổi phụ tùng hay cất giữ dụng cụ máy nào.** Những biện pháp an toàn phòng ngừa này sẽ giảm nguy cơ vô tình khởi động dụng cụ máy.
4. **Cất giữ các dụng cụ máy không sử dụng ngoài tầm với của trẻ em và không cho bất kỳ người nào không có hiểu biết về dụng cụ máy hoặc các hướng dẫn này vận hành dụng cụ máy.** Dụng cụ máy sẽ rất nguy hiểm nếu được sử dụng bởi những người dùng chưa qua đào tạo.
5. **Bảo dưỡng dụng cụ máy và các phụ kiện. Kiểm tra tình trạng lịch trực hoặc bó kẹp của các bộ phận chuyển động, hiện tượng nứt vỡ của các bộ phận và mọi tình trạng khác có thể ảnh hưởng đến hoạt động của dụng cụ máy. Nếu có hỏng hóc, hãy sửa chữa dụng cụ máy trước khi sử dụng.** Nhiều tai nạn xảy ra là do không bảo quản tốt dụng cụ máy.
6. **Luôn giữ cho dụng cụ cất được sắc bén và sạch sẽ.** Những dụng cụ cất được bảo quản tốt có mép cắt sắc sẽ ít bị kẹt hơn và dễ điều khiển hơn.
7. **Sử dụng dụng cụ máy, phụ tùng và đầu dụng cụ cắt, v.v... theo các hướng dẫn này, có tính đến điều kiện làm việc và công việc được thực hiện.** Việc sử dụng dụng cụ máy cho các công việc khác với công việc dự định có thể gây nguy hiểm.
8. **Giữ tay cầm và bề mặt tay cầm khô, sạch, không dính dầu và mỡ.** Tay cầm trơn trượt và bề mặt tay cầm không cho phép xử lý an toàn và kiểm soát dụng cụ trong các tình huống bất ngờ.
9. **Khí sử dụng dụng cụ, không được đi giày tay lao động bằng vải, có thể bị vướng.** Việc giày tay lao động bằng vải vướng vào các bộ phận chuyển động có thể gây ra thương tích cá nhân.

Sử dụng và bảo quản dụng cụ dùng pin

1. **Chỉ sạc pin lại với bộ sạc do nhà sản xuất quy định.** Bộ sạc phù hợp với một loại bộ pin này có thể gây ra nguy cơ hỏa hoạn khi được dùng cho một bộ pin khác.
2. **Chỉ sử dụng các dụng cụ máy với các bộ pin được quy định cụ thể.** Việc sử dụng bất cứ bộ pin nào khác có thể gây ra thương tích và hỏa hoạn.
3. **Khí không sử dụng bộ pin, hãy giữ tránh xa các đồ vật khác bằng kim loại, chẳng hạn như kẹp giấy, tiền xu, chìa khóa, đinh, ốc vít hoặc các vật nhỏ bằng kim loại mà có thể làm nối tất các đầu cực pin.** Các đầu cực pin bị đoản mạch có thể gây cháy hoặc hỏa hoạn.

4. Trong điều kiện sử dụng quá mức, pin có thể bị chày nước; hãy tránh tiếp xúc. Nếu vô tình tiếp xúc với pin bị chày nước, hãy rửa sạch bằng nước. Nếu dung dịch từ pin tiếp xúc với mắt, cần đi khám bác sĩ thêm. Dung dịch chày ra từ pin có thể gây rát da hoặc bỏng.
5. Không sử dụng bộ pin hoặc dụng cụ bị hư hỏng hoặc đã bị sửa đổi. Pin đã bị hư hỏng hoặc đã bị sửa đổi có thể hành động theo cách không thể đoán trước dẫn đến cháy, nổ hoặc nguy cơ chấn thương.
6. Không để bộ pin hoặc dụng cụ tiếp xúc với lửa hoặc nhiệt độ quá cao. Tiếp xúc với lửa hoặc nhiệt độ trên 130 °C có thể gây ra cháy nổ.
7. Làm theo tất cả các hướng dẫn sạc pin và không được sạc bộ pin hoặc dụng cụ vượt giới hạn nhiệt độ quy định trong hướng dẫn. Sạc pin không đúng hoặc ở nhiệt độ vượt giới hạn nhiệt độ có thể gây hư hỏng cho pin và làm tăng nguy cơ cháy.

Bảo dưỡng

1. Để nhân viên sửa chữa đủ trình độ bảo dưỡng dụng cụ máy của bạn và chỉ sử dụng các bộ phận thay thế đồng nhất. Việc này sẽ đảm bảo duy trì được độ an toàn của dụng cụ máy.
2. Không bao giờ sử dụng bộ pin đã hỏng. Dịch vụ bảo hành bộ pin chỉ nên thực hiện bởi nhà sản xuất hoặc các nhà cung cấp dịch vụ được ủy quyền.
3. Tuân theo hướng dẫn dành cho việc bôi trơn và thay phụ tùng.

Hướng dẫn an toàn cho cưa đa góc

1. Cưa đa góc được sử dụng để cắt các sản phẩm gỗ hay giống như gỗ, chúng không thể sử dụng được với đĩa cắt nhôm để cắt các vật liệu chứa sắt như thanh, que, đinh tán, v.v... Bụi nhôm sẽ làm cho các bộ phận chuyển động như phần bảo vệ bên dưới bị kẹt. Tia lửa từ quá trình cắt nhôm sẽ đốt cháy phần bảo vệ bên dưới, gài rãnh cưa và các bộ phận bằng nhựa khác.
 2. Sử dụng kẹp để giữ chặt phôi gia công bất cứ khi nào có thể. Nếu giữ phôi gia công bằng tay, bạn phải luôn giữ tay của mình cách hai cạnh của lưỡi cưa ít nhất 100mm. Không sử dụng cưa này để cắt các vật quá nhỏ so với kẹp cố định hoặc phải giữ bằng tay. Nếu tay của bạn được đặt quá gần lưỡi cưa thì sẽ tăng nguy cơ chấn thương do bị tiếp xúc với lưỡi cưa.
 3. Phôi gia công phải được cố định và kẹp hoặc giữ chắc vào cả thanh chặn và bàn. Không gắn phôi gia công vào lưỡi cưa hoặc cắt dùng "tay tự do" trong bất kỳ trường hợp nào. Phôi gia công không được giữ hoặc di động có thể bị văng ra ở tốc độ cao, gây chấn thương.
 4. Đẩy cưa qua phôi gia công. Không kéo cưa qua phôi gia công. Để thực hiện cắt, nâng đầu cưa và kéo nó ra phía trên phôi gia công nhưng chưa cắt, khởi động động cơ, ấn đầu cưa xuống và đẩy cưa qua phôi gia công. Cắt trên hành trình kéo có thể làm lưỡi cưa chệch lên trên đầu của phôi gia công và làm văng mảnh lưỡi cưa về hướng người điều khiển.
 5. Không bao giờ đặt chéo tay của bạn lên đường định cắt kể cả phía trước hay sau lưỡi cưa. Việc giữ phôi gia công "chéo tay" tức là giữ phôi gia công ở phía bên phải của lưỡi cưa bằng tay trái của bạn hoặc ngược lại là rất nguy hiểm.
- Hình 1
6. Không với ra đằng sau thanh chắn bằng tay ở khoảng cách gần hơn 100 mm từ cả hai cạnh của lưỡi cưa, để loại bỏ phế liệu, hoặc vì bất cứ nguyên nhân nào khác khi lưỡi cưa đang quay. Bạn có thể sẽ sợ ý không nhận ra lưỡi cưa đang quay gần với tay của bạn, và có thể bị thương tổn nghiêm trọng.
 7. Kiểm tra phôi gia công của bạn trước khi cắt. Nếu phôi gia công bị uốn cong bị cong vênh, hãy kẹp nó với mặt bị cong hướng về phía thanh chắn. Luôn chắc chắn không có khoảng cách giữa phôi gia công, thanh chắn và bàn dọc theo đường cắt. Phôi gia công bị uốn cong hoặc bị cong vênh có thể bị xoay hoặc xô dịch và có thể gây bó kẹt lưỡi cưa đang quay trong khi cắt. Không được cố định ốc hoặc ngoại vật trong phôi gia công.
 8. Không được sử dụng cưa cho đến khi bàn đã được dọn sạch dụng cụ, phế liệu gỗ, v.v... từ phôi gia công. Mảnh vụn nhỏ hoặc các miếng gỗ bị rơi ra hoặc các vật thể khác khi tiếp xúc với lưỡi đang quay có thể bị văng ra với tốc độ cao.
 9. Chỉ cắt một phôi gia công một lần. Nhiều phôi gia công xếp chồng lên nhau sẽ không được kẹp chặt thỏa đáng và có thể gây bó kẹt lưỡi cưa hoặc bị xô dịch trong quá trình cắt.
 10. Hãy đảm bảo máy cưa đa góc được gắn hoặc đặt trên một mặt gia công phẳng, chắc chắn trước khi sử dụng. Bề mặt gia công phẳng và chắc sẽ làm giảm nguy cơ máy cưa đa góc hoạt động không ổn định.
 11. Lên kế hoạch cho công việc của bạn. Mỗi khi bạn thay đổi cài đặt góc xiên hoặc góc vát, hãy chắc chắn rằng thanh chắn có thể điều chỉnh được thiết lập chính xác để giữ phôi gia công và không gây cản trở cho lưỡi cưa hoặc hệ thống bảo vệ. Không cần bật dụng cụ thành "BẬT" và không để phôi gia công nào trên bàn, hãy di chuyển lưỡi cưa theo một nhất cắt mô phỏng hoàn chỉnh để đảm bảo rằng không có cản trở hoặc nguy hiểm do cắt vào thanh chặn.
 12. Cung cấp các dụng cụ hỗ trợ cần thiết như bàn nối thêm, giá cưa, v.v... cho phôi gia công rộng hoặc dài hơn mặt bàn. Phôi gia công dài hoặc rộng hơn bàn cưa đa góc có thể bị lật nếu không được giữ cố định. Nếu mảnh cắt hoặc phôi gia công bị lật, nó có thể sẽ nhấc phần bảo vệ bên dưới hoặc bị lưỡi cưa đang quay làm văng ra.
 13. Không được sử dụng người khác hỗ trợ để thay thế cho bàn nối thêm hoặc giá đỡ bổ sung. Giá đỡ phôi gia công không vững chắc có thể dẫn đến việc lưỡi cưa bị bó kẹt, hoặc phôi gia công bị xô dịch trong quá trình cắt sẽ kéo bạn hoặc người trợ giúp bị lỗi về hướng lưỡi cưa đang quay.

14. **Không để mảnh cắt bị kẹt hoặc bị ấn về phía lưới cửa đang quay bằng bất cứ phương tiện nào.** Nếu bị giới hạn, ví dụ như sử dụng thiết bị chặn chiều dài, mảnh cắt có thể bị chêm lại và văng mạnh ra ngoài.
15. **Luôn sử dụng kẹp hoặc dụng cụ cố định được thiết kế để giữ các vật liệu tròn như thanh tròn hoặc ống được chắc chắn.** Thanh tròn có xu hướng cuộn vào khi cắt, gây ra tình trạng lưới cửa “cắn” và kéo vật đang gia công với tay bạn vào lưới cửa.
16. **Hãy để lưới cửa đạt đến tốc độ hoàn toàn trước khi tiếp xúc với phôi gia công.** Điều này sẽ làm giảm nguy cơ vật ra công bị văng ra.
17. **Nếu phôi gia công hoặc lưới cửa bị kẹt, hãy tắt máy cửa đa góc. Chờ cho tất cả bộ phận chuyển động dừng hẳn và rút phích cắm khỏi nguồn điện và/hoặc tháo hộp pin ra. Sau đó gỡ các vật liệu bị kẹt ra.** Việc tiếp tục cắt với phôi gia công bị kẹt có thể gây ra mất kiểm soát hoặc gây hư hỏng máy cửa đa góc.
18. **Sau khi hoàn tất cắt, nhả công tắc, hạ đầu máy cửa xuống và chờ cho lưới cửa dừng hẳn trước khi lấy mảnh cắt ra.** Với tay gần với lưới cửa đang đi xuống rất nguy hiểm.
19. **Giữ tay cầm chắc khi việc thực hiện nhát cắt chưa hoàn tất hoặc khi nhà công tắc trước khi đầu cửa nằm hoàn toàn ở vị trí hạ xuống.** Hành động hãm cửa lại có thể khiến đầu cửa bị kéo xuống đột ngột, gây ra nguy cơ chấn thương.
20. **Chỉ sử dụng lưới cửa có đường kính được đánh dấu trên dụng cụ hoặc được chỉ định trong hướng dẫn.** Sử dụng lưới cửa có kích thước không đúng có thể ảnh hưởng đến phần bảo vệ thích hợp của lưới cửa hoặc hoạt động của phần bảo vệ, có thể dẫn đến thương tích nghiêm trọng.
21. **Chỉ sử dụng lưới cửa có ghi tốc độ bằng hoặc cao hơn tốc độ ghi trên dụng cụ.**
22. **Không được sử dụng cửa để cắt các vật liệu khác ngoài gỗ, nhôm hoặc vật liệu tương tự.**
23. **(Chỉ đối với các quốc gia Châu Âu)
Luôn sử dụng lưới cửa tuân thủ theo EN847-1.**
6. **Để giảm nguy cơ chấn thương, hãy đưa bàn trượt về lại hoàn toàn phía sau sau mỗi thao tác cắt ngang.**
7. **Luôn cố định an toàn tất cả các phần chuyển động trước khi di chuyển dụng cụ.**
8. **Chốt chặn khóa đầu lưới cắt xuống chỉ dùng để di chuyển và cất giữ chứ không dùng cho bất kỳ vận hành cắt nào.**
9. **Kiểm tra các lưới cửa thật cẩn thận xem có nứt hoặc hư hỏng gì không trước khi vận hành. Thay thế lưới bị nứt hoặc hư hỏng ngay lập tức. Chốt dính và nhựa gỗ bám chặt trên lưới cắt làm chậm cửa và tăng khả năng xảy ra hiện tượng bật ngược lại. Giữ lưới cắt sạch bằng cách trước tiên tháo lưới cắt ra khỏi dụng cụ sau đó lau sạch lưới cắt bằng chất tẩy chất dính và nhựa, nước nóng hoặc dầu hỏa. Không bao giờ sử dụng xăng để làm sạch lưới cắt.**
10. **Khi thực hiện cắt trượt, HIỆN TƯỢNG LỰC ĐÁY NGƯỢC có thể xảy ra. HIỆN TƯỢNG LỰC ĐÁY NGƯỢC xảy ra khi lưới cửa bị bó kẹt vào phôi gia công trong quá trình thao tác cắt và lưới cửa bị bật mạnh về phía người điều khiển. Tình huống này có thể gây ra mất kiểm soát hoặc chấn thương cá nhân nghiêm trọng. Nếu lưới cửa bắt đầu bị bó kẹt trong quá trình cắt, không được tiếp tục cắt và hãy nhả công tắc ngay lập tức.**
11. **Chỉ sử dụng các vành được chỉ định cho dụng cụ này.**
12. **Cần thận để không làm hư hỏng trục, vành (đặc biệt là bề mặt lắp ráp) hay bu-lông. Làm hỏng những bộ phận này có thể dẫn đến hỏng lưới cửa.**
13. **Đảm bảo rằng để xoay được cố định chắc chắn để không di chuyển trong quá trình vận hành. Sử dụng các lỗ hỏng trong đế để gắn chặt máy cửa vào một bề gia công hoặc bàn gia công vững chắc. KHÔNG BAO GIỜ sử dụng dụng cụ ở vị trí mà người điều khiển cảm thấy khó thao tác.**
14. **Đảm bảo khoá trục được nhả ra trước khi bật công tắc.**
15. **Chắc chắn rằng lưới cửa không tiếp xúc với đế xoay ở vị trí thấp nhất.**
16. **Giữ thật chắc tay cầm. Cần biết rằng cửa sẽ di chuyển lên hoặc xuống một chút trong quá trình khởi động và dừng lại.**
17. **Đảm bảo rằng lưới cửa không tiếp xúc với phôi gia công trước khi bật công tắc lên.**
18. **Trước khi sử dụng dụng cụ này trên phôi gia công thực, hãy để dụng cụ chạy trong ít phút. Theo dõi xem sự rung hay lắc có thể cho thấy lắp ráp kém hay lưới cửa chưa cân bằng.**
19. **Ngừng vận hành ngay lập tức nếu bạn chú ý thấy bất cứ điều gì bất thường.**
20. **Không cố gắng khóa cần khởi động vào vị trí “BẬT”.**
21. **Luôn sử dụng các phụ tùng được khuyến dùng trong tài liệu hướng dẫn này. Sử dụng các phụ tùng không phù hợp như đá mài có thể gây ra thương tích.**

Hướng dẫn bảo sung

1. **Không cho trẻ em vào xưởng làm việc bằng cách dùng khóa móc.**
2. **Không bao giờ đứng lên dụng cụ.** Chấn thương nghiêm trọng có thể xảy ra nếu dụng cụ bị lật nghiêng hoặc vô tình đụng phải với dụng cụ cắt.
3. **Không bao giờ để dụng cụ chạy mà không có người giám sát. Hãy tắt nguồn. Không rời dụng cụ cho đến khi nó dừng hẳn.**
4. **Không vận hành máy cửa mà không có phần bảo vệ đặt đúng vị trí. Kiểm tra phần bảo vệ lưới cửa xem đã đóng đúng cách trước mỗi lần sử dụng. Không vận hành máy cửa nếu phần bảo vệ lưới cửa không di chuyển tự do và đóng ngay tức khắc. Không được phép kẹp chặt hoặc buộc phần bảo vệ lưới cửa ở vị trí mở.**
5. **Giữ tay tránh xa khỏi đường đi của lưới cửa. Tránh tiếp xúc với bất cứ lưới cửa nào đang đi xuống. Nó có thể vẫn gây ra các thương tích nghiêm trọng.**

22. Một số vật liệu có thể chứa hóa chất độc hại. Phải cẩn trọng tránh hít phải bụi và để tiếp xúc với da. Tuân theo dữ liệu an toàn của nhà cung cấp vật liệu.

Cảnh báo an toàn bổ sung cho tia laser

1. **BỨC XẠ LASER, KHÔNG ĐƯỢC NHÌN VÀO CHÙM TIA HAY NHÌN TRỰC TIẾP VỚI CÁC DỤNG CỤ QUANG HỌC, SẢN PHẨM LASER CẤP ĐỘ 2M.**

LƯU GIỮ CÁC HƯỚNG DẪN NÀY.

⚠CẢNH BÁO: KHÔNG vì đã thoải mái hay quen thuộc với sản phẩm (không được đo sử dụng nhiều lần) mà không tuân thủ nghiêm ngặt các quy định về an toàn dành cho sản phẩm này. VIỆC DÙNG SAI hoặc không tuân theo các quy định về an toàn được nêu trong tài liệu hướng dẫn này có thể dẫn đến thương tích cá nhân nghiêm trọng.

Hướng dẫn quan trọng về an toàn dành cho hộp pin

1. Trước khi sử dụng hộp pin, hãy đọc kỹ tất cả các hướng dẫn và dấu hiệu cảnh báo trên (1) bộ sạc pin, (2) pin và (3) sản phẩm sử dụng pin.
2. Không tháo rời hoặc làm thay đổi hộp pin. Việc này có thể dẫn đến hỏa hoạn, quá nhiệt hoặc nổ.
3. Nếu thời gian vận hành ngắn hơn quá mức, hãy ngừng vận hành ngay lập tức. Điều này có thể dẫn đến rùi ro quá nhiệt, có thể gây bỏng và thậm chí là nổ.
4. Nếu chất điện phân rơi vào mắt, hãy rửa sạch bằng nước sạch và đến cơ sở y tế ngay lập tức. Chất này có thể khiến bạn giảm thị lực.
5. Không để hộp pin ở tình trạng đoàn mạch:
 - (1) Không chạm vào cực pin bằng vật liệu dẫn điện.
 - (2) Tránh cất giữ hộp pin trong hộp có các vật kim loại khác như đinh, tiền xu, v.v...
 - (3) Không được để hộp pin tiếp xúc với nước hoặc mưa.Đoàn mạch pin có thể gây ra dòng điện lớn, quá nhiệt, có thể gây bỏng và thậm chí là hồng hóc.
6. Không cất giữ cũng như sử dụng dụng cụ và hộp pin ở nơi nhiệt độ có thể lên tới hoặc vượt quá 50 °C (122 °F).
7. Không đốt hộp pin ngay cả khi hộp pin đã bị hư hại nặng hoặc hư hỏng hoàn toàn. Hộp pin có thể nổ khi tiếp xúc với lửa.
8. Không đóng đinh, cắt, nghiền nát, ném, làm rơi hộp pin hoặc va vật cứng vào hộp pin. Làm như thế có thể dẫn đến hỏa hoạn, quá nhiệt hoặc nổ.
9. Không sử dụng pin đã hỏng.

10. Pin nén lithium-ion là đối tượng có yêu cầu bắt buộc theo Luật Hàng hoá Nguy hiểm. Đối với vận tải thương mại, ví dụ như vận tải do bên thứ ba, đại lý giao nhận, thì yêu cầu đặc biệt về đóng gói và nhãn ghi phải được giám sát. Để chuẩn bị cho mặt hàng cần vận chuyển, cần phải tham khảo ý kiến chuyên gia về vật liệu nguy hiểm. Nếu được, vui lòng tuân thủ các quy định quốc gia chi tiết hơn. Buộc hoặc niêm phong các tiếp điểm mở và đóng gói pin theo cách đó để nó không thể di chuyển trong bao bì.
11. Khi vứt bỏ hộp pin, hãy tháo chúng khỏi dụng cụ và thả bỏ ở nơi an toàn. Phải tuân thủ theo các quy định của địa phương liên quan đến việc thải bỏ pin.
12. Chỉ sử dụng pin cho các sản phẩm Makita chỉ định. Lắp pin vào sản phẩm không thích hợp có thể gây ra hỏa hoạn, quá nhiệt, nổ, hoặc rò chất điện phân.
13. Nếu dụng cụ không được sử dụng trong một thời gian dài, cần phải tháo pin ra khỏi dụng cụ.
14. Trong và sau khi sử dụng, hộp pin có thể bị nóng, có thể gây bỏng hoặc bỏng ở nhiệt độ thấp. Chú ý xử lý hộp pin nóng.
15. Không chạm vào điện cực của dụng cụ ngay sau khi sử dụng vì điện cực đủ nóng để gây bỏng.
16. Không để vụn bào, bụi hoặc đất bám vào các điện cực, lỗ và rãnh của hộp pin. Điều này có thể làm nóng, bắt lửa, nổ và gây trực trực cho dụng cụ hoặc hộp pin, dẫn đến bỏng hoặc thương tích cá nhân.
17. Trừ khi dụng cụ hỗ trợ sử dụng gần đường dây điện cao thế, không sử dụng hộp pin gần đường dây điện cao thế. Việc này có thể dẫn đến trực trực hoặc hồng hóc dụng cụ hay hộp pin.
18. Giữ pin tránh xa trẻ em.

LƯU GIỮ CÁC HƯỚNG DẪN NÀY.

⚠THẬN TRỌNG: Chỉ sử dụng pin Makita chính hãng. Việc sử dụng pin không chính hãng Makita, hoặc pin đã được sửa đổi, có thể dẫn đến nổ pin gây ra cháy, thương tích và thiệt hại cá nhân. Nó cũng sẽ làm mất hiệu lực bảo hành của Makita dành cho dụng cụ của Makita và bộ sạc.

Mẹo duy trì tuổi thọ tối đa cho pin

1. Sạc hộp pin trước khi pin bị xả điện hoàn toàn. Luôn dừng việc vận hành dụng cụ và sạc pin khi bạn nhận thấy công suất dụng cụ bị giảm.
2. Không được phép sạc lại một hộp pin đã được sạc đầy. Sạc quá mức sẽ làm giảm tuổi thọ của pin.
3. Sạc pin ở nhiệt độ phòng 10°C - 40°C. Để cho hộp pin nóng nguội lại dần trước khi sạc pin.
4. Khi không sử dụng hộp pin, hãy tháo hộp pin ra khỏi dụng cụ hoặc bộ sạc.

5. **Sạc pin sáu tháng một lần nếu bạn không sử dụng dụng cụ trong một thời gian dài (hơn sáu tháng).**

MÔ TẢ CÁC BỘ PHẬN

► Hình 2

1	Nút Nhả khóa	2	Bộ khởi động công tắc	3	Vỏ che lưới cửa	4	Vít điều chỉnh (trong trường hợp vị trí giới hạn dưới)
5	Bu-lông điều chỉnh (trong trường hợp công suất cắt tối đa)	6	Tay chặn	7	Túi đựng hạt mưa	8	Thang đo xiên góc
9	Phần bảo vệ lưới cửa	10	Bàn kẹp đứng	11	Tấm chắn dẫn hướng	12	Giá đỡ
13	Cần khóa (trong trường hợp để xoay)	14	Dụng cụ kẹp (trong trường hợp để xoay)	15	Bu-lông điều chỉnh (trong trường hợp để xoay)	16	Rãnh cửa
17	Kim chỉ (trong trường hợp góc vát chéo)	18	Đế xoay	19	Bộ phận lắp giá đỡ	20	Trục thanh cữ
21	Tấm chắn phụ	-	-	-	-	-	-

► Hình 3

22	Cực trượt (phía trên)	23	Vít có tai vặn (trong trường hợp khóa cực trượt phía trên)	24	Cờ lê sáu cạnh	25	Vít kẹp (trong trường hợp khóa giá đỡ)
26	Cần gạt (trong trường hợp điều chỉnh góc xiên)	27	Cực trượt (phía dưới)	28	Vít có tai vặn (trong trường hợp khóa cực trượt phía dưới)	-	-

LẮP RÁP

Lắp đặt bàn

⚠ CẢNH BÁO: Đảm bảo rằng dụng cụ không di chuyển trên bề mặt đỡ. Việc di chuyển máy cắt trên bề mặt đỡ khi đang cắt có thể dẫn đến mất điều khiển và thương tích cá nhân nghiêm trọng.

1. Gắn đế vào một bề mặt phẳng và cố định bằng cách vít hai bu-lông lên đó. Điều này sẽ giúp dụng cụ không bị lật và tránh thương tích có thể.

► **Hình 4:** 1. Bu-lông

2. Vặn bu-lông điều chỉnh theo chiều kim đồng hồ hoặc ngược chiều kim đồng hồ để nó tiếp xúc với mặt sàn để giữ cố định dụng cụ.

► **Hình 5:** 1. Bu-lông điều chỉnh

Lắp giá đỡ và bộ phận lắp giá đỡ

LƯU Ý: Ở một số quốc gia, giá đỡ và bộ phận lắp giá đỡ có thể không bao gồm vòi xả bụi làm phụ kiện tiêu chuẩn.

Giá đỡ và bộ phận lắp giá đỡ đỡ phối gia công theo chiều ngang.

Vặn chặt các trục thanh cữ vào bộ phận lắp giá đỡ bằng cờ lê lục giác.

► **Hình 6:** 1. Giá đỡ 2. Bộ phận lắp giá đỡ 3. Trục thanh cữ 4. Cờ lê lục giác

Lắp giá đỡ và bộ phận lắp giá đỡ ở cả hai bên như minh họa trong hình. Khi lắp, đảm bảo trục thanh cữ nằm ở cùng hàng với thanh dẫn khi lắp vào dụng cụ.

► **Hình 7:** 1. Giá đỡ 2. Bộ phận lắp giá đỡ 3. Vít

Sau đó vặn các vít thật chặt để giữ chặt giá đỡ và bộ phận lắp giá đỡ.

MÔ TẢ CHỨC NĂNG

⚠ CẢNH BÁO: Luôn đảm bảo rằng dụng cụ đã được tắt và hộp pin đã được tháo trước khi điều chỉnh hoặc kiểm tra chức năng trên dụng cụ. Không tắt hoặc tháo hộp pin vì có thể dẫn đến các thương tích cá nhân nghiêm trọng do vô tình khởi động máy.

Lắp hoặc tháo hộp pin

⚠ THẬN TRỌNG: Luôn tắt dụng cụ trước khi lắp hoặc tháo hộp pin.

⚠ THẬN TRỌNG: Giữ dụng cụ và hộp pin thật chắc khi lắp hoặc tháo hộp pin. Không giữ dụng cụ và hộp pin thật chắc có thể làm trượt chúng khỏi tay và làm hư hỏng dụng cụ và hộp pin hoặc gây thương tích cá nhân.

► **Hình 8:** 1. Chỉ báo màu đỏ 2. Nút 3. Hộp pin

Đỡ tháo hộp pin, vừa trượt pin ra khỏi dụng cụ vừa đẩy trượt nút ở phía trước hộp pin.

Đỡ lắp hộp pin, đặt thẳng hàng phần chốt nhỏ ra của hộp pin vào phần rãnh nằm trên vỏ và trượt hộp pin vào vị trí. Đưa hộp pin vào cho đến khi chốt khóa vào đúng vị trí với một tiếng “cách” nhẹ. Nếu bạn vẫn còn nhìn thấy chỉ báo màu đỏ ở mặt trên của nút, điều đó có nghĩa là chốt vẫn chưa được khóa hoàn toàn.

⚠️ THẬN TRỌNG: Luôn lắp hộp pin khớp hoàn toàn vào vị trí cho đến khi không thể nhìn thấy chỉ báo màu đỏ. Nếu không, hộp pin có thể vô tình rơi ra khỏi dụng cụ, gây thương tích cho bạn hoặc người khác xung quanh.

⚠️ THẬN TRỌNG: Không được dùng sức lắp hộp pin. Nếu hộp pin không nhẹ nhàng trượt vào vị trí, có nghĩa là pin vẫn chưa được lắp đúng.

LƯU Ý: Dụng cụ này không hoạt động nếu chỉ có một hộp pin.


Hệ thống bảo vệ dụng cụ / pin

Dụng cụ này được trang bị hệ thống bảo vệ dụng cụ / pin. Hệ thống này sẽ tự động ngắt nguồn điện đến động cơ để kéo dài tuổi thọ dụng cụ và pin. Dụng cụ sẽ tự động dừng vận hành khi dụng cụ hoặc pin ở một trong những trường hợp sau đây:

Bảo vệ quá tải

Khi vận hành dụng cụ trong điều kiện làm máy tiêu tốn dòng cao bất thường, dụng cụ sẽ tự động dừng lại mà không có bất cứ dấu hiệu nào. Trong trường hợp này, hãy tắt dụng cụ và ngừng ứng dụng làm cho dụng cụ trở nên quá tải. Sau đó bật dụng cụ lên để khởi động lại.

Bảo vệ quá nhiệt

<input type="checkbox"/> Bật	<input checked="" type="checkbox"/> Nhấp nháy
	

Khi bị quá nhiệt, dụng cụ sẽ tự động dừng, và đèn chỉ báo pin sẽ nhấp nháy khoảng 60 giây. Trong tình huống này, hãy để dụng cụ nguội lại dần trước khi bật dụng cụ một lần nữa.








Bảo vệ xả điện quá mức

Khi dung lượng pin yếu, thì dụng cụ sẽ tự động dừng. Nếu sản phẩm không vận hành ngay cả khi vận hành công tắc, hãy tháo pin ra khỏi dụng cụ và sạc pin.

Chỉ báo dung lượng pin còn lại

► **Hình9:** 1. Đèn chỉ báo pin 2. Nút Check (kiểm tra)

Ấn nút Check (kiểm tra) để chỉ báo dung lượng pin còn lại. Đèn chỉ báo pin tương ứng với từng loại pin.









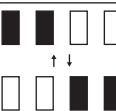
Trạng thái đèn chỉ báo pin			Dung lượng pin còn lại
 Bật	 Tắt	 Nhấp nháy	
			50% đến 100%
			20% đến 50%
			0% đến 20%
			Sạc pin

Chỉ báo dung lượng pin còn lại

Chỉ dành cho hộp pin có đèn chỉ báo

► **Hình10:** 1. Các đèn chỉ báo 2. Nút Check (kiểm tra)

Ấn nút check (kiểm tra) trên hộp pin để chỉ báo dung lượng pin còn lại. Các đèn chỉ báo bật sáng lên trong vài giây.



Các đèn chỉ báo			Dung lượng pin còn lại
 Bật sáng	 Tắt	 Nhấp nháy	
			75% đến 100%
			50% đến 75%
			25% đến 50%
			0% đến 25%
			Sạc pin.
			Pin có thể đã bị hỏng.

LƯU Ý: Tùy thuộc vào các điều kiện sử dụng và nhiệt độ xung quanh, việc chỉ báo có thể khác biệt một chút so với dung lượng thực sự.

LƯU Ý: Đèn chỉ báo (phía xa bên trái) đầu tiên sẽ nhấp nháy khi hệ thống bảo vệ pin hoạt động.

Chức năng thay đổi tốc độ tự động

► **Hình11:** 1. Đèn chỉ báo chế độ

Trạng thái đèn chỉ báo chế độ	Chế độ vận hành
	Chế độ tốc độ cao
	Chế độ mô-men xoắn cao

Dụng cụ này có "chế độ tốc độ cao" và "chế độ mô-men xoắn cao". Dụng cụ sẽ tự động thay đổi chế độ vận hành tùy thuộc vào tải trọng công việc. Khi đèn chỉ báo chế độ bật sáng lên trong lúc đang vận hành, thì dụng cụ đang ở chế độ xoắn cao.

Chốt chặn

⚠ THẬN TRỌNG: Luôn giữ tay cầm khi nhả chốt chặn. Nếu không thì tay cầm sẽ nảy lên và có thể dẫn đến thương tích cá nhân.

Để nhả chốt chặn, phải áp dụng lên tay cầm một lực ấn nhẹ có phương hướng xuống rồi sau đó mới kéo chốt chặn xuống.

► **Hình12:** 1. Chốt chặn

Phần bảo vệ lưỡi cưa

⚠ CẢNH BÁO: Không làm hỏng hoặc tháo phần bảo vệ lưỡi cưa hoặc lò xo gắn vào phần bảo vệ. Lưỡi cưa lộ ra do bảo vệ không tốt có thể dẫn đến thương tích cá nhân nghiêm trọng trong khi vận hành.

⚠ CẢNH BÁO: Không được phép sử dụng dụng cụ nếu phần bảo vệ lưỡi cưa hoặc lò xo bị hỏng, lỏng, hoặc bị tháo ra. Vận hành dụng cụ có phần bảo vệ bị hỏng, lỏng hoặc bị tháo ra có thể dẫn đến thương tích cá nhân nghiêm trọng.

⚠ THẬN TRỌNG: Luôn duy trì phần bảo vệ lưỡi trong điều kiện tốt để vận hành an toàn. Không vận hành ngay nếu phần bảo vệ lưỡi cưa có bất thường bất kỳ. Kiểm tra để đảm bảo rằng lò xo chịu tải trở lại trạng thái bảo vệ.

► **Hình13:** 1. Phần bảo vệ lưỡi cưa

Khi hạ thấp tay cầm, phần bảo vệ lưỡi cưa sẽ tự động nâng lên. Phần bảo vệ chịu tải bằng lò xo nên nó sẽ quay trở về vị trí ban đầu khi việc cắt hoàn thành và tay cầm được nâng lên.

Lau chùi vệ sinh

► **Hình14:** 1. Phần bảo vệ lưỡi cưa

Nếu phần bảo vệ lưỡi cưa trong suốt này bị bẩn hoặc mùn cưa bám vào khiến lưỡi cưa và/hoặc phôi gia công không còn dễ nhìn thấy, hãy tháo hộp pin và lau sạch phần bảo vệ thật cẩn thận bằng vải ẩm. Không sử dụng dung môi hoặc bất kỳ chất làm sạch có dầu lên phần bảo vệ bằng nhựa vì việc này có thể làm hỏng phần bảo vệ.

Để vệ sinh, hãy nâng phần bảo vệ lưỡi cưa lên bằng cách tham khảo "Lắp hoặc tháo lưỡi cưa".

Sau khi vệ sinh, hãy đảm bảo đặt lại lưỡi cưa và lớp vỏ bảo vệ trung tâm trở về đúng chỗ đồng thời siết chặt bu-lông đầu ống sáu cạnh.

1. Đảm bảo rằng đã tắt dụng cụ và đã tháo hộp pin.
2. Vận ngược chiều kim đồng hồ bu-lông đầu ống sáu cạnh bằng cách sử dụng cờ lê sáu cạnh đã được cung cấp cùng với lớp vỏ bảo vệ trung tâm.
3. Nâng phần bảo vệ lưỡi cưa và lớp vỏ bảo vệ trung tâm.
4. Khi vệ sinh xong, đặt lại lớp vỏ bảo vệ trung tâm trở về đúng chỗ và siết chặt bu-lông đầu ống sáu cạnh bằng cách thực hiện đảo ngược các bước trên.

⚠ CẢNH BÁO: Không được tháo lò xo giữ phần bảo vệ lưỡi cưa. Nếu phần bảo vệ bị hỏng qua thời gian hoặc tiếp xúc với tia tử ngoại UV, hãy liên lạc với trung tâm dịch vụ Makita để thay thế. **KHÔNG ĐƯỢC LÀM HỎNG HOẶC THÁO PHẦN BẢO VỆ.**

Định vị rãnh cưa

Dụng cụ này được cung cấp kèm theo rãnh cưa ở để xoay để giảm thiểu sự nứt lên phía ra của mảnh cắt. Rãnh cưa được điều chỉnh khi sản xuất để lưỡi cưa không tiếp xúc với rãnh cưa. Trước khi sử dụng, hãy điều chỉnh rãnh cưa như sau:

1. Đảm bảo đã tháo hộp pin. Sau đó, nới lỏng toàn bộ các vít (bên trái và bên phải mỗi bên 2 cái) dùng để cố định rãnh cưa.

► **Hình15:** 1. Rãnh cưa 2. Vít

2. Siết chặt lại các vít đến mức rãnh cưa vẫn có thể dễ dàng được di chuyển bằng tay.

3. Hạ thấp tay cầm hoàn toàn và đẩy chốt chặn vào để khóa tay cầm ở vị trí hạ thấp.

4. Nới lỏng hai vít kẹp cố định cực trượt.

► **Hình16:** 1. Vít cố tay vặn

5. Kéo hoàn toàn bàn trượt về phía bạn.

6. Điều chỉnh rãnh cưa để rãnh cưa chỉ tiếp xúc với cạnh của rãnh cưa.

► **Hình17**

► **Hình18:** 1. Lưỡi cưa 2. Rãnh cưa 3. Rãnh cưa

4. Cát xiên góc trái 5. Cát thẳng

7. Siết chặt các vít phía trước (không siết quá chặt).
8. Đẩy hoàn toàn bàn trượt về phía tám chắn dẫn hướng và điều chỉnh rãnh cưa để rãnh cưa chỉ tiếp xúc với cạnh của rãnh cưa.
9. Siết chặt các vít phía sau (không siết quá chặt).
10. Sau khi điều chỉnh rãnh cưa, nhả chốt chặn và nâng tay cầm. Sau đó siết chặt tất cả các ốc vít.

CHÚ Ý: Sau khi thiết đặt góc xiên, đảm bảo rằng rãnh cưa sẽ được điều chỉnh hợp lý. Điều chỉnh rãnh cưa hợp lý sẽ tạo lực đỡ thích hợp cho phôi gia công và giúp giảm thiểu phôi gia công bị mòn đi.

Duy trì công suất cắt tối đa

Dụng cụ này được điều chỉnh khi sản xuất để tạo ra công suất cắt tối đa cho lưỡi cưa 190 mm. Khi lắp đặt lưỡi cưa đĩa mới, luôn kiểm tra vị trí giới hạn bên dưới của lưỡi cưa đĩa, và nếu cần thiết, hãy điều chỉnh nó như sau:

1. Tháo hộp pin. Sau đó, đẩy hoàn toàn bàn trượt về phía tấm chắn dẫn hướng và hạ thấp tay cầm hoàn toàn.

► **Hình19:** 1. Bu-lông điều chỉnh 2. Tấm chắn dẫn hướng

2. Sử dụng cờ lê sáu cạnh để xoay bu-lông điều chỉnh cho đến khi lưỡi cưa đĩa chạm vào bên dưới mặt cắt ngang của thanh dẫn và mặt trên của đế xoay.

► **Hình20**

3. Hãy xoay lưỡi cưa bằng tay trong khi giữ tay cầm ấn xuống hết mức để đảm bảo rằng lưỡi cưa đĩa không tiếp xúc với bất kỳ bộ phận nào của phần đế bên dưới. Nhẹ nhàng điều chỉnh lại nếu cần thiết.

⚠ CẢNH BÁO: Sau khi lắp một lưỡi cưa đĩa mới và hộp pin đã được tháo ra, luôn đảm bảo rằng lưỡi cưa đĩa không tiếp xúc với bất kỳ bộ phận nào của phần đế bên dưới khi tay cầm được hạ thấp hoàn toàn. Nếu lưỡi cưa đĩa tiếp xúc với đế thì lưỡi cưa có thể bị giật ngược lại và dẫn đến thương tích cá nhân nghiêm trọng.

► **Hình21**

Tay chặn

Vị trí giới hạn dưới của lưỡi có thể được điều chỉnh dễ dàng bằng tay chặn. Để điều chỉnh nó, di chuyển tay chặn theo hướng mũi tên như hiển thị trên hình. Quay vít điều chỉnh và ấn tay cầm xuống hoàn toàn để kiểm tra kết quả.

► **Hình22:** 1. Vít điều chỉnh 2. Tay chặn

Tấm chắn phụ

Đặc trưng quốc gia

⚠ THẬN TRỌNG: Khi thực hiện cắt xiên góc trái, sẽ lật tấm chắn phụ ra ngoài. Nếu không, nó sẽ tiếp xúc với lưỡi cưa hoặc một bộ phận của dụng cụ, và có thể gây ra thương tật nghiêm trọng cho người vận hành.

► **Hình23:** 1. Tấm chắn phụ

Dụng cụ này được trang bị kèm tấm chắn phụ. Thường định vị tấm chắn phụ ở phía bên trong. Tuy nhiên, khi thực hiện cắt xiên góc trái, sẽ lật tấm chắn phụ ra ngoài.

Điều chỉnh góc vát

► **Hình24:** 1. Đế xoay 2. Cần khóa 3. Thang đo vát góc 4. Kim chỉ 5. Dụng cụ kẹp

1. Nới lỏng dụng cụ kẹp ngược chiều kim đồng hồ.
2. Ấn xuống, giữ cần khóa, và điều chỉnh góc của đế xoay. Sử dụng kim chỉ và thang đo vát góc theo hướng dẫn.
3. Siết thật chặt dụng cụ kẹp theo chiều kim đồng hồ.

⚠ THẬN TRỌNG: Sau khi thay đổi góc vát chéo, phải luôn cố định đế xoay bằng cách siết chặt dụng cụ kẹp.

CHÚ Ý: Khi xoay đế xoay, hãy đảm bảo đã nâng tay cầm hết mức.

Điều chỉnh góc xiên

Để điều chỉnh góc xiên, hãy nới lỏng cần gạt ở phía sau của dụng cụ ngược chiều kim đồng hồ.

► **Hình25:** 1. Cần gạt 2. Nút nhà

Để nghiêng lưỡi sang trái, hãy giữ tay cầm và nghiêng bàn trượt. Sử dụng thang đo xiên góc và kim chỉ như hướng dẫn. Sau đó siết chặt cần gạt theo chiều kim đồng hồ để giữ chặt tay gạt.

► **Hình26:** 1. Kim chỉ 2. Thang đo xiên góc 3. Tay gạt

Để nghiêng lưỡi sang phải, giữ tay cầm và nghiêng nhẹ bàn trượt sang trái, và đẩy nút nhà. Sau khi ấn nút nhà, hãy nghiêng lưỡi cưa sang phải. Sau đó siết chặt cần gạt.

⚠ THẬN TRỌNG: Sau khi thay đổi góc xiên, luôn luôn giữ chặt tay gạt bằng cách siết chặt cần gạt theo chiều kim đồng hồ.

CHÚ Ý: Khi nghiêng lưỡi cưa, đảm bảo tay cầm được nâng lên hoàn toàn.

CHÚ Ý: Khi thay đổi góc xiên, chắc chắn rằng bạn đã định vị rãnh cưa đúng như được giải thích trong phần "Định vị rãnh cưa".

Điều chỉnh vị trí cần gạt

Nếu cần gạt không được siết chặt hoàn toàn theo thời gian, sẽ làm thay đổi vị trí cần gạt. Có thể định vị lại cần gạt ở mọi góc 30°.

Nới lỏng và tháo vít cố định cần gạt. Tháo cần gạt và lắp lại để cần gạt chỉ nhẹ lên mặt ngang. Sau đó, siết chặt cần gạt bằng vít.

► **Hình27:** 1. Cần gạt 2. Vít

Hoạt động công tác

⚠ CẢNH BÁO: Trước khi lắp hộp pin vào dụng cụ, luôn luôn kiểm tra xem bộ khởi động công tác có hoạt động bình thường hay không và trả về vị trí “OFF” (TẮT) khi nhả ra. Vận hành dụng cụ khi công tác không khởi động đúng có thể dẫn đến mất điều khiển và thương tích cá nhân nghiêm trọng.

⚠ CẢNH BÁO: Không sử dụng khóa có chuỗi hay cáp có đường kính nhỏ hơn 6,35 mm. Chuỗi hoặc cáp nhỏ hơn có thể không khóa dụng cụ đúng ở vị trí tắt và vận hành vô tình có thể xảy ra dẫn đến thương tích cá nhân nghiêm trọng.

⚠ CẢNH BÁO: KHÔNG ĐƯỢC PHÉP sử dụng dụng cụ không có bộ khởi động công tác hoạt động hoàn toàn. Bất kỳ dụng cụ nào có công tác không làm việc là RẤT NGUY HIỂM và phải được sửa chữa trước khi tiếp tục sử dụng, nếu không, có thể xảy ra thương tích cá nhân nghiêm trọng.

⚠ CẢNH BÁO: Để bạn được an toàn, dụng cụ này đều được trang bị nút nhà khóa nhằm ngăn ngừa vô ý khởi động dụng cụ. **KHÔNG ĐƯỢC PHÉP sử dụng công cụ này nếu nó chạy khi bạn chỉ kéo bộ khởi động công tác mà không ấn nút nhà khóa.** Một công tác cần sửa có thể dẫn đến vận hành vô tình và thương tích cá nhân nghiêm trọng. Hãy trả dụng cụ lại cho một trung tâm dịch vụ Makita để sửa chữa phù hợp TRƯỚC KHI sử dụng tiếp sau này.

⚠ CẢNH BÁO: KHÔNG ĐƯỢC PHÉP làm hỏng nút nhà khóa bằng cách buộc xuống hoặc một số cách khác. Một nút nhà khóa không hiệu quả có thể dẫn đến vận hành vô tình và thương tích cá nhân nghiêm trọng.

CHÚ Ý: Không được kéo mạnh bộ khởi động công tác mà không ấn nút nhà khóa. Điều này có thể làm gãy nút công tác.

Để ngăn ngừa vô tình kéo cần khởi động công tác, dụng cụ được trang bị một nút nhà khóa. Để khởi động dụng cụ, ấn nút nhà khóa và kéo cần khởi động công tác. Nhà cần khởi động công tác ra để dừng. Có thể ấn nút nhà khóa từ phải hoặc trái.

Một lỗ có sẵn trong cần khởi động công tác để chèn khóa móc để khóa dụng cụ.

► **Hình28:** 1. Nút nhà khóa 2. Cần khởi động công tác 3. Lỗ cho khóa móc

LẮP RÁP

⚠ CẢNH BÁO: Luôn đảm bảo rằng đã tắt dụng cụ và tháo hộp pin ra trước khi thực hiện trên dụng cụ. Không tắt hoặc tháo hộp pin có thể dẫn đến các thương tích cá nhân nghiêm trọng.

Cờ lê sáu cạnh

Cờ lê sáu cạnh được cất giữ như thể hiện trong hình. Khi cần cờ lê sáu cạnh, bạn có thể rút nó ra khỏi giá giữ khóa.

Sau khi sử dụng cờ lê sáu cạnh xong, bạn có thể cất đi bằng cách bỏ lại vào giá giữ khóa.

► **Hình29:** 1. Giá giữ khóa 2. Cờ lê sáu cạnh

Lắp đặt hoặc tháo lưỡi cưa

⚠ CẢNH BÁO: Luôn đảm bảo rằng đã tắt dụng cụ và tháo hộp pin ra trước khi lắp hoặc tháo lưỡi. Vô tình khởi động dụng cụ có thể dẫn đến thương tích cá nhân nghiêm trọng.

⚠ THẬN TRỌNG: Chỉ sử dụng cờ lê sáu cạnh của Makita đi kèm để tháo hoặc lắp các lưỡi cưa. Không làm như vậy có thể khiến cho bu-lông đầu ống sáu cạnh bị siết quá chặt hoặc siết không đủ chặt. Điều này có thể gây ra thương tích.

Để tháo lưỡi, hãy thực hiện các bước sau:

1. Tháo tay cầm ở vị trí được nâng lên bằng cách đẩy chốt chặn hết mức.

► **Hình30:** 1. Chốt chặn

2. Sử dụng cờ lê sáu cạnh để rời lồng bu-lông đầu ống sáu cạnh giữ lớp vỏ bảo vệ trung tâm bằng cách xoay ngược chiều kim đồng hồ. Sau đó, nâng phần bảo vệ lưỡi cưa và lớp vỏ bảo vệ trung tâm.

► **Hình31:** 1. Lớp vỏ bảo vệ trung tâm 2. Bu-lông đầu ổ lục giác 3. Cờ lê sáu cạnh 4. Phần bảo vệ lưỡi cưa

3. Ấn khóa trục để khóa trục quay và dùng cờ lê sáu cạnh để rời lồng bu-lông đầu ống sáu cạnh theo chiều kim đồng hồ. Sau đó tháo bu-lông đầu ống sáu cạnh của trục quay, vành ngoài, và lưỡi.

► **Hình32:** 1. Khóa trục 2. Bu-lông đầu ổ lục giác 3. Vành ngoài

4. Khi tháo vành trong, hãy lắp vành trong lên trục quay với bộ phận chuyển động lưỡi ngược hướng với lưỡi. Nếu lắp vành không đúng cách, vành sẽ cọ xát vào máy.

► **Hình33:** 1. Vành ngoài 2. Lưỡi cưa 3. Vành trong 4. Bu-lông đầu ống sáu cạnh (bên trái) 5. Trục quay 6. Bộ phận gắn lưỡi cưa

Để lắp lưỡi, hãy thực hiện các bước sau:

1. Gắn lưỡi cẩn thận vào vành trong. Đảm bảo rằng hướng mũi tên trên bề mặt của lưỡi cưa khớp với hướng mũi tên trên vỏ che lưỡi cưa.

► **Hình34:** 1. Lưỡi cưa 2. Mũi tên

2. Lắp đặt vành ngoài và bu-lông đầu ổ lục giác, rồi sau đó dùng cờ lê sáu cạnh để siết bu-lông đầu ống sáu cạnh (bên trái) của trục quay thật chặt ngược chiều kim đồng hồ trong khi ấn vào khóa trục.

3. Trả lại phần bảo vệ lưỡi cưa và lớp vỏ bảo vệ trung tâm vào vị trí ban đầu. Sau đó siết chặt bu-lông đầu ống sáu cạnh của lớp vỏ bảo vệ trung tâm theo chiều kim đồng hồ để cố định lớp vỏ bảo vệ trung tâm.

4. Nhả tay cầm khỏi vị trí được nâng lên bằng cách kéo chốt chặn. Hạ thấp tay cầm để đảm bảo rằng phần bảo vệ lưỡi cưa có thể dịch chuyển bình thường.

5. Đảm bảo rằng khóa trục đã nhả trục quay ra trước khi tiến hành cắt.

Dành cho dụng cụ có vành trong dùng cho lưỡi cưa có đường kính lỗ 15,88 mm

Đặc trưng quốc gia

Gắn vành trong với mặt hốc rãnh hướng ra ngoài vào trục gắn và sau đó đặt lưỡi cưa (với vòng được gắn vào nếu cần), vành ngoài và bu-lông lục giác.

Đối với dụng cụ không có vòng

- **Hình35:** 1. Vành ngoài 2. Lưỡi cưa 3. Vành trong
4. Bu-lông đầu ống sáu cạnh (bên trái)
5. Trục quay

Đối với dụng cụ có vòng

- **Hình36:** 1. Vành ngoài 2. Lưỡi cưa 3. Vành trong
4. Bu-lông đầu ống sáu cạnh (bên trái)
5. Vòng 6. Trục quay

⚠ CẢNH BÁO: Nếu vòng cần được gắn lưỡi lên trục quay, phải luôn luôn chắc chắn rằng đã lắp đặt đúng vòng cho lỗ tâm của lưỡi cưa mà bạn định dùng lên trên giữa vành trong và vành ngoài. Sử dụng vòng lỗ tâm không đúng có thể dẫn đến gắn lưỡi cưa không đúng cách, gây ra dịch chuyển lưỡi và rung động nặng dẫn đến có thể mất kiểm soát trong suốt quá trình vận hành và gây thương tích cá nhân nghiêm trọng.

Dành cho dụng cụ có vành trong dùng cho lưỡi cưa có đường kính lỗ khác 20 mm hoặc 15,88 mm

Đặc trưng quốc gia

Vành trong có đường kính phần gắn lưỡi xác định nằm mở một mặt và có đường kính phần gắn lưỡi khác biệt nằm ở mặt khác. Chọn mặt đúng mà ở đó phần gắn lưỡi vừa khít với lỗ lưỡi cưa.

- **Hình37:** 1. Vành ngoài 2. Lưỡi cưa 3. Vành trong
4. Bu-lông đầu ống sáu cạnh (bên trái)
5. Trục quay 6. Bộ phận gắn lưỡi cưa

⚠ THẬN TRỌNG: Đảm bảo rằng phần gắn lưỡi cưa “a” ở vành trong được đặt ở bên ngoài vừa khít với lỗ lưỡi cưa “a”. Việc gắn lưỡi cưa sai mặt có thể gây ra rung động nguy hiểm.

Kết nối máy hút bụi

Khi bạn muốn thực hiện thao tác cắt sạch, hãy kết nối với máy hút bụi cầm tay hoạt động bằng động cơ điện của Makita.

- **Hình38**

Túi đựng mặt cưa

Phụ kiện tùy chọn

Sử dụng túi đựng mặt cưa giúp cho việc vận hành cắt sạch sẽ hơn và thu gom mặt để dàng hơn.

Để gắn túi đựng mặt cưa, hãy lắp khít túi vào vòi xả bụi. Để gắn thanh kẹp, đặt thẳng hàng đầu trên cùng của thanh kẹp với dấu tam giác trên túi đựng mặt cưa.

Khi túi đựng mặt cưa đã đầy khoảng một nửa, hãy tháo túi đựng mặt cưa ra khỏi dụng cụ và kéo bộ phận kẹp ra. Để toàn bộ phần bên trong túi đựng mặt cưa, vỗ nhẹ để loại bỏ các hạt dính vào mặt trong túi mà có thể làm vướng việc thu gom sau này.

- **Hình39:** 1. Túi đựng mặt cưa 2. Vòi xả bụi 3. Thanh kẹp

Cố định phôi gia công

⚠ CẢNH BÁO: Điều cực kỳ quan trọng là phải luôn luôn cố định phôi gia công đúng cách bằng kiểu bàn kẹp phù hợp. Không làm như vậy có thể gây thương tích cá nhân nghiêm trọng và làm hỏng dụng cụ và/hoặc phôi gia công.

⚠ CẢNH BÁO: Khi cắt phôi gia công dài hơn để đỡ cưa, nên đỡ toàn bộ chiều dài của vật liệu trên để đỡ và ở cùng chiều cao để vật liệu thẳng bằng. Đỡ phôi gia công hợp lý sẽ giúp tránh lưỡi cưa bị kẹp và có thể bị đẩy ngược lại, gây thương tích cá nhân nghiêm trọng. Không được chỉ dựa vào bàn kẹp đứng và/hoặc bàn kẹp ngang để cố định phôi gia công. Vật liệu mỏng thường vòng xuống. Đỡ phôi gia công trên toàn bộ chiều dài để tránh lưỡi cưa bị kẹp và có thể bị ĐÁY NGƯỢC LẠI.

- **Hình40:** 1. Giá đỡ 2. Đỡ xoay

Bàn kẹp đứng

⚠ CẢNH BÁO: Phải giữ chặt phôi gia công vào bàn xoay và tấm chắn dẫn hướng với bàn kẹp trong tất cả các hoạt động vận hành. Nếu không vật liệu có thể chuyển động trong khi đang vận hành cắt, làm hỏng lưỡi cưa, và bị quăng đi gây mất kiểm soát và dẫn đến thương tích cá nhân nghiêm trọng.

Lắp bàn kẹp đứng vào mặt trái hoặc mặt phải của thanh đỡ hoặc bộ phận lắp giá đỡ. Lắp thanh kẹp vào trong lỗ của thanh dẫn hoặc bộ phận lắp giá đỡ và siết chặt vít dưới để giữ chắc thanh kẹp.

- **Hình41:** 1. Tay kẹp 2. Thanh kẹp 3. Tấm chắn dẫn hướng 4. Giá đỡ 5. Bộ phận lắp giá đỡ 6. Núm kẹp 7. Vít dưới 8. Vít trên

Định vị tay kẹp theo chiều dày và hình dạng phôi gia công và cố định tay kẹp bằng cách siết chặt vít trên. Nếu vít trên tiếp xúc với tấm chắn dẫn hướng, hãy lắp đặt vít trên ở mặt đối diện của tay kẹp. Đảm bảo rằng không có bộ phận nào của dụng cụ tiếp xúc với bàn kẹp khi hạ thấp hoàn toàn tay cầm và kéo hoặc đẩy bàn trượt hết mức. Nếu có một vài bộ phận tiếp xúc với bàn kẹp, hãy định vị lại bàn kẹp.

Án phôi gia công ngang bằng với tấm chắn dẫn hướng và để xoay. Định vị phôi gia công ở vị trí cắt mong muốn và cố định nó thật chắc bằng cách siết chặt núm kẹp.

Bàn kẹp ngang

Phụ kiện tùy chọn

⚠ CẢNH BÁO: Chi kẹp phơi gia công khi đèn chỉ báo ở vị trí cao nhất. Không làm như vậy có thể dẫn đến phơi gia công không được cố định chắc. Điều này có thể làm phơi gia công bị quăng ra xa, làm hỏng lưới cửa gây mất kiểm soát, việc này có thể dẫn đến thương tích cá nhân.

► **Hình42:** 1. Nút kẹp 2. Đèn chỉ báo 3. Trục bàn kẹp 4. Đế

Có thể lắp bàn kẹp ngang lên cạnh bên trái của lè. Bằng cách xoay nút kẹp ngược chiều kim đồng hồ, vít sẽ được nhả ra và trục bàn kẹp có thể di chuyển ra và vào nhanh. Bằng cách xoay nút kẹp theo chiều kim đồng hồ, vít sẽ được cố định.

Để kẹp phơi gia công, xoay nhẹ nút kẹp theo chiều kim đồng hồ cho đến khi đèn chỉ báo chạm tới vị trí cao nhất, rồi sau đó cố định thật chắc chắn. Nếu nút kẹp bị siết vào hoặc kéo ra khi đang xoay theo chiều kim đồng hồ thì đèn chỉ báo có thể dừng lại ở một góc. Trong trường hợp này, hãy xoay nút kẹp ngược chiều kim đồng hồ cho đến khi vít được nhả ra, rồi xoay nhẹ lại theo chiều kim đồng hồ.

Công suất tối đa của bàn kẹp ngang là 120 mm chiều rộng.

Giá đỡ và bộ phận lắp giá đỡ

Phụ kiện tùy chọn

⚠ THẬN TRỌNG: Đối với dụng cụ được trang bị giá đỡ và bộ phận lắp giá đỡ làm phụ kiện tiêu chuẩn, kiểu sử dụng này không được cho phép tùy thuộc vào các quy định quốc gia.

⚠ CẢNH BÁO: Luôn đỡ phơi gia công dài để nó nằm ngang với mặt cao nhất của đế xoay để cắt chính xác và tránh mất điều khiển dụng cụ nguy hiểm. Đỡ phơi gia công hợp lý sẽ giúp tránh lưới cửa bị kẹp và có thể bị đẩy ngược lại, gây thương tích cá nhân nghiêm trọng.

Có thể lắp giá đỡ và bộ phận lắp giá đỡ ở cả hai bên làm phương tiện lợi để giữ phơi gia công nằm ngang. Lắp đặt chúng vào mặt bên của dụng cụ, rồi siết chặt vít để cố định chúng.

► **Hình43:** 1. Giá đỡ 2. Bộ phận lắp giá đỡ

Khi cắt phơi gia công dài, sử dụng bộ phận lắp thanh chốt giá đỡ (phụ tùng tùy chọn). Bộ này gồm có hai bộ phận lắp giá đỡ và hai thanh chốt 12.

► **Hình44:** 1. Bộ phận lắp giá đỡ 2. Thanh chốt 12

VẬN HÀNH

⚠ CẢNH BÁO: Phải đảm bảo rằng lưới cửa không tiếp xúc với phơi gia công, v.v... trước khi bật công tắc lên. Bật dụng cụ khi lưới cửa tiếp xúc với phơi gia công có thể bị đẩy ngược lại và gây thương tích nghiêm trọng.

⚠ CẢNH BÁO: Sau một thao tác cắt, không được nâng lưới cửa lên cho đến khi nó đã dừng hẳn. Nâng lưới cửa đang đi xuống có thể gây thương tích cá nhân nghiêm trọng và phá hỏng phơi gia công.

⚠ CẢNH BÁO: Không chạm vào các vít hãm đã gắn chặt vào cực trượt trong khi lưới cửa đang xoay. Nếu không dụng cụ có thể bị mất kiểm soát và gây ra thương tích cá nhân.

⚠ THẬN TRỌNG: Không nhả đầu cửa không được kiểm soát khỏi vị trí hạ xuống hoàn toàn. Đầu cửa không được kiểm soát có thể va vào bạn và việc này sẽ dẫn đến thương tích cá nhân.

CHÚ Ý: Trước khi sử dụng, hãy đảm bảo đã nhả tay cầm ra khỏi vị trí hạ xuống bằng cách kéo chốt chặn.

CHÚ Ý: Không dùng lực quá nhiều trên tay cầm khi cắt. Dùng lực quá nhiều có thể dẫn đến quá tải động cơ và/hoặc giảm hiệu quả cắt. Ấn tay cầm xuống chỉ với lực cần thiết để thao tác cắt trời chảy và không làm suy giảm đáng kể tốc độ lưới cửa.

CHÚ Ý: Nhẹ nhàng ấn tay cầm xuống để thực hiện thao tác cắt. Nếu ấn tay cầm xuống bằng lực hoặc nêu dùng lực ngang, lưới cửa có thể rung giạt và để lại dấu (dấu cửa) trên phơi gia công và độ chính xác của vết cắt có thể bị ảnh hưởng.

CHÚ Ý: Trong khi cắt trượt, đẩy nhẹ bàn trượt về phía tâm chắn dẫn hướng mà không dừng lại. Nếu chuyển động của bàn trượt ngừng lại trong khi đang cắt, phơi gia công sẽ có vết và việc cắt có thể bị giảm độ chính xác.

Ấn cắt (cắt phơi gia công nhỏ)

⚠ CẢNH BÁO: Siết chặt hai vít kẹp cố định cực trượt theo chiều kim đồng hồ để bàn trượt không di chuyển trong khi vận hành. Siết vít hãm không chặt có thể khiến bàn trượt bị đẩy ngược trở lại gây ra thương tích cá nhân nghiêm trọng.

► **Hình45:** 1. Vít có tai vên 2. Bộ phận lắp giá đỡ

Phôi gia công có chiều cao tối đa 52 mm và chiều rộng 97 mm có thể được cắt theo cách sau.

1. Đẩy hoàn toàn bàn trượt về phía tâm chắn dẫn hướng và siết chặt hai vít kẹp cố định cực trượt theo chiều kim đồng hồ để cố định bàn trượt.
2. Cố định phơi gia công bằng bàn kẹp phù hợp.
3. Bật dụng cụ lên mà không để lưới cửa bị tiếp xúc và đợi đến khi lưới cửa đạt tốc độ đầy đủ trước khi hạ xuống.
4. Nhẹ nhàng hạ thấp tay cầm xuống hết mức để cắt phơi gia công.

5. Sau khi cắt xong, hãy tắt dụng cụ và **chờ đến khi lưới cửa dừng hoàn toàn** trước khi đưa lưới cửa trở lại vị trí nâng cao hết mức của nó.

Cắt trượt (đẩy) xuống (cắt phối gia công rộng)

⚠ CẢNH BÁO: Bất cứ khi nào thực hiện cắt trượt, trước tiên phải đẩy hoàn toàn bàn trượt về phía mình và ấn tay cầm xuống hoàn toàn, rồi đẩy bàn trượt về phía tâm chắn dẫn hướng. Không bắt đầu việc cắt khi bàn trượt không được kéo hoàn toàn về phía bạn. Nếu bạn thực hiện việc cắt trượt khi chưa kéo bàn trượt hoàn toàn về phía mình, bàn trượt có thể bị đẩy ngược trở lại không mong muốn và gây ra thương tích cá nhân nghiêm trọng.

⚠ CẢNH BÁO: Không cố thực hiện cắt trượt bằng cách kéo bàn trượt về phía bạn. Kéo bàn trượt về phía bạn trong khi cắt có thể khiến bàn trượt bị đẩy ngược trở lại không mong muốn gây ra thương tích cá nhân nghiêm trọng.

⚠ CẢNH BÁO: Không được phép thực hiện cắt trượt khi tay cầm đã khóa ở vị trí thấp.

⚠ CẢNH BÁO: Không được phép nới lỏng núm cố định bàn trượt trong khi lưới cửa đang quay. Bàn trượt lỏng khi đang cắt có thể khiến bàn trượt bị đẩy ngược trở lại không mong muốn gây ra thương tích cá nhân nghiêm trọng.

► **Hình46:** 1. Vít có tai vạt 2. Bộ phận lắp giá đỡ

1. Nới lỏng hai vít kẹp cố định cực trượt ngược chiều kim đồng hồ để bàn trượt có thể di chuyển trong khi vận hành.
2. Cố định phối gia công bằng bàn kẹp phù hợp.
3. Kéo hoàn toàn bàn trượt về phía bạn.
4. Bật dụng cụ lên mà không để lưới cửa bị tiếp xúc và đợi đến khi lưới cửa đạt tốc độ đầy đủ.
5. Ấn tay cầm xuống và **đẩy bàn trượt về phía tâm chắn dẫn hướng và qua phối gia công.**
6. Sau khi cắt xong, hãy tắt dụng cụ và **chờ đến khi lưới cửa dừng hoàn toàn** trước khi đưa lưới cửa trở lại vị trí nâng cao hết mức của nó.

Cắt vát góc

Tham khảo phần điều chỉnh góc vát.

Cắt xiên

⚠ CẢNH BÁO: Sau khi đặt lưới cửa để cắt xiên, trước khi vận hành dụng cụ, đảm bảo bàn trượt và lưới cửa có thể di chuyển tự do trong suốt chiều dài của đường định cắt. Nếu bị vướng khi đang di chuyển trong lúc cắt, bàn trượt hoặc lưới cửa có thể bị đẩy ngược lại và gây ra thương tích cá nhân nghiêm trọng.

⚠ CẢNH BÁO: Trong khi thực hiện cắt xiên không để tay trên đường tiến của lưới cửa. Góc của lưới cửa có thể làm cho người vận hành nhầm lẫn với đường tiến của lưới cửa khi cắt và tiếp xúc với lưới cửa sẽ gây ra thương tích nghiêm trọng.

⚠ CẢNH BÁO: Không nên nâng lưới cửa lên cho đến khi đã dừng lại hoàn toàn. Trong khi cắt xiên, phần phối bị cắt có thể bị lưới cửa đẩy văng ra. Nếu lưới cửa được nâng lên khi đang quay, phần phối cắt có thể bị lưới cửa đẩy văng ra, làm cho phối bị vỡ gây ra thương tích cá nhân nghiêm trọng.

⚠ THẬN TRỌNG: (Chỉ dành cho tấm chắn phụ của dụng cụ) **Luôn đặt tấm chắn phụ ở phía ngoài khi thực hiện cắt xiên bên trái.**

► **Hình47:** 1. Bộ phận lắp giá đỡ

1. Nới lỏng cần gạt và nghiêng lưới cửa để thiết đặt góc xiên (Tham khảo mục “Điều chỉnh góc xiên” đã trình bày trước đó). Đảm bảo đã siết cần gạt lại thật chặt để cố định góc xiên đã chọn một cách an toàn.
2. Cố định phối gia công bằng bàn kẹp.
3. Kéo hoàn toàn bàn trượt về phía bạn.
4. Bật dụng cụ lên mà không để lưới cửa bị tiếp xúc và đợi đến khi lưới cửa đạt tốc độ đầy đủ.
5. Nhẹ nhàng hạ thấp đến vị trí thấp hết mức trong khi tác dụng lực song song với lưới cửa và **đẩy bàn trượt về phía tâm chắn dẫn hướng để cắt phối gia công.**
6. Sau khi cắt xong, hãy tắt dụng cụ và **chờ đến khi lưới cửa dừng hoàn toàn** trước khi đưa lưới cửa trở lại vị trí nâng cao hết mức của nó.

CHÚ Ý: Khi ấn tay cầm xuống, hãy tác dụng lực song song với lưới cửa. Nếu tác dụng lực vuông góc với đế xoay hoặc nếu thay đổi hướng của lực khi cắt, độ chính xác của vết cắt sẽ bị giảm.

Cắt hỗn hợp

Cắt hỗn hợp là quá trình mà trong đó góc xiên được thực hiện cùng một lúc trong khi đang cắt góc vát trên phối gia công. Có thể thực hiện việc cắt hỗn hợp theo góc đã thể hiện trong bảng.

Góc vát chéo	Góc xiên
45° sang Trái và Phải	0° - 45° sang Trái
50° sang Phải	0° - 40° sang Trái
55° sang Phải	0° - 30° sang Trái
57° sang Phải	0° - 25° sang Trái

Khi thực hiện cắt hỗn hợp, hãy tham khảo phần giải thích “Cắt ép xuống”, “Cắt vát góc” và “Cắt xiên góc”.

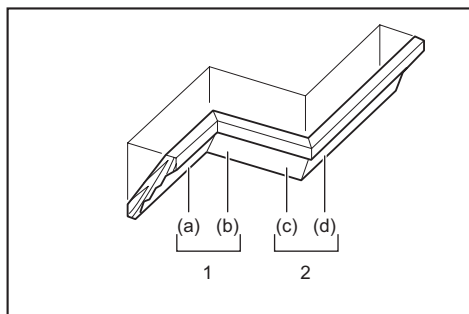
Cắt đường gờ bao quanh và đường gờ vòm

Có thể cắt đường gờ bao quanh và đường gờ vòm trên máy cưa chéo phức hợp với các đường gờ có mặt phẳng đặt trên đế xoay.

Có hai loại đường gờ bao quanh phổ biến và một loại đường gờ vòm; đường gờ bao quanh góc tường 52/38°, đường gờ bao quanh góc tường 45° và đường gờ vòm góc tường 45°.

► **Hình48:** 1. đường gờ bao quanh góc tường loại 52/38° 2. đường gờ bao quanh góc tường loại 45° 3. đường gờ vòm góc tường loại 45°

Có các phần nối đường gờ bao quanh và đường gờ vòm được tạo ra để khớp với các góc 90° “Bên trong” ((a) và (b) trong hình) và các góc 90° “Bên ngoài” ((c) và (d) trong hình).



1. Góc bên trong 2. Góc bên ngoài

► **Hình49:** 1. Góc bên trong 2. Góc bên ngoài

Đo đạc

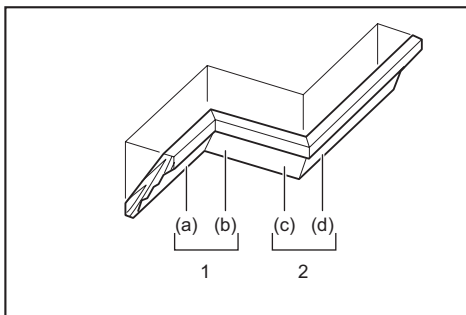
Đo chiều rộng của vách ngăn, và điều chỉnh phối gia công theo chiều rộng của vách ngăn. Luôn đảm bảo rằng chiều rộng của vách ngăn tiếp xúc với cạnh của phối gia công phải có cùng một độ dài.

► **Hình50:** 1. Phối gia công 2. Độ rộng của vách ngăn 3. Độ rộng của phối gia công 4. Vách ngăn tiếp xúc cạnh

Luôn sử dụng nhiều miếng cắt thử khác nhau để kiểm tra các góc của máy cưa.

Khi cắt đường gờ bao quanh và đường gờ vòm, phải thiết đặt góc xiên và góc vát chéo như được thể hiện trong bảng (A) và đặt vị trí các đường gờ trên bề mặt trên cùng của bộ cắt như được thể hiện trong bảng (B).

Trường hợp cắt nghiêng sang trái



1. Góc bên trong 2. Góc bên ngoài

Bảng (A)

-	Vị trí đường gờ trong hình	Góc xiên		Góc vát chéo	
		Loại 52/38°	Loại 45°	Loại 52/38°	Loại 45°
Đối với góc bên trong	(a)	33,9° sang Trái	30° sang Trái	31,6° sang Phải	35,3° sang Phải
	(b)			31,6° sang Trái	35,3° sang Trái
Đối với góc bên ngoài	(c)	33,9° sang Trái	30° sang Trái	31,6° sang Phải	35,3° sang Phải
	(d)			31,6° sang Phải	35,3° sang Phải

Bảng (B)

-	Vị trí đường gờ trong hình	Vị trí cạnh đường gờ dựa vào tấm chắn dẫn hướng	Mảnh đã hoàn tất
Đối với góc bên trong	(a)	Cạnh tiếp xúc với trần phải dựa vào tấm chắn dẫn hướng.	Mảnh đã hoàn tất sẽ nằm bên Trái của lưới cửa.
	(b)	Cạnh tiếp xúc với tường phải dựa vào tấm chắn dẫn hướng.	
Đối với góc bên ngoài	(c)	Cạnh tiếp xúc với trần phải dựa vào tấm chắn dẫn hướng.	Mảnh đã hoàn tất sẽ nằm bên Phải của lưới cửa.
	(d)	Cạnh tiếp xúc với trần phải dựa vào tấm chắn dẫn hướng.	

Ví dụ:

Trong trường hợp cắt đường bao quanh loại 52/38° cho vị trí (a) trong hình ở trên:

- Nghiêng và cố định thiết đặt góc xiên sang 33,9° BÊN TRÁI.
- Điều chỉnh và cố định thiết đặt góc vát chéo sang 31,6° BÊN PHẢI.
- Đặt đường gờ bao quanh với mặt sau rộng (ẩn) xuống để xoay và CẠNH TIẾP XÚC TRẦN dựa vào tấm chắn dẫn hướng trên máy cưa.

- Mảnh đã hoàn tất được sử dụng sẽ luôn nằm bên TRÁI của lưới cửa sau khi đã cắt xong.

Cắt phần đùn nhôm

- **Hình51:** 1. Mỏ cặp 2. Khối đế chặn 3. Thanh dẫn 4. Phần nhô bằng nhôm 5. Khối đế chặn

Khi giữ chặt phần đùn nhôm, hãy sử dụng các khối chặn hoặc mảnh phôi liệu như thể hiện trong hình để ngăn ngừa nhôm biến dạng. Sử dụng đầu nhòn để cắt khi cắt phần đùn nhôm nhằm ngăn chặn vật liệu nhôm tích tụ trên lưới cửa.

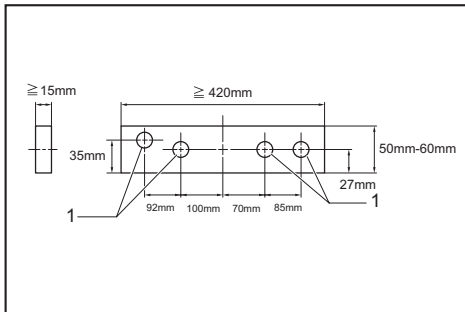
⚠THẬN TRỌNG: Không bao giờ cố gắng cắt phần đùn nhôm dày hoặc có dạng tròn. Phần đùn bằng nhôm dày có thể bị tách vỡ trong quá trình thao tác và phần đùn bằng nhôm dạng tròn không thể được dụng cụ này giữ chặt.

Lớp ốp gỗ

⚠CẢNH BÁO: Sử dụng ốc vít để gắn lớp ốp gỗ vào tấm chắn dẫn hướng. Nên lắp ốc vít sao cho đầu vít ở dưới bề mặt lớp ốp gỗ để chúng không cản trở việc định vị vật liệu đem cắt. Xếp lệch vật liệu đem cắt có thể gây ra sự di chuyển không mong muốn trong khi cắt dẫn đến mất điều khiển và gây ra thương tích cá nhân nghiêm trọng.

⚠THẬN TRỌNG: Sử dụng gỗ thẳng có độ dày đều để làm lớp ốp gỗ.

Sử dụng lớp ốp gỗ giúp đảm bảo phối gia công không bị cắt vụn. Gắn lớp ốp gỗ vào tấm chắn dẫn hướng bằng các lỗ trên tấm chắn dẫn hướng. Xem hình liên quan đến kích thước của lớp ốp gỗ được gợi ý.



1. Rãnh

CHÚ Ý: Khi gắn lớp ốp gỗ, không được xoay để xoay khi tay cầm đã bị hạ thấp. Lưới cửa và/hoặc lớp ốp gỗ sẽ bị hỏng.

Cắt chiều dài lặp lại

⚠THẬN TRỌNG: Đối với dụng cụ được trang bị giá đỡ và bộ phận lắp giá đỡ làm phụ kiện tiêu chuẩn, kiểu sử dụng này không được cho phép tùy thuộc vào các quy định quốc gia.

Khi cắt nhiều miếng gỗ có cùng chiều dài, từ 220 mm đến 385 mm, hãy sử dụng đĩa chặn (phụ tùng tùy chọn). Lắp đĩa chặn lên giá đỡ (phụ tùng tùy chọn) như minh họa trong hình.

- **Hình52:** 1. Đĩa chặn 2. Giá đỡ 3. Vít

Đặt thẳng đường cắt lên phôi gia công với cạnh trái hoặc phải của rãnh trong rãnh cửa, và trong khi giữ cho phôi gia công không di chuyển, hãy di chuyển đĩa chặn ngang bằng với đầu của phôi gia công. Sau đó cố định đĩa chặn bằng vít.

Khi không sử dụng đĩa chặn, hãy nới lỏng vít và xoay đĩa chặn ra khỏi đường tiến.

LƯU Ý: Sử dụng bộ phận lắp thanh giá đỡ (phụ tùng tùy chọn) cho phép cắt độ dài lặp lại tối đa khoảng 2.200 mm.

Cắt rãnh lòng máng

⚠CẢNH BÁO: Không có thực hiện cách cắt này bằng các lưới cửa rộng hoặc bằng lưới cửa cắt dài ốp tường. Cắt rãnh lòng máng bằng lưới rộng hoặc lưới cửa cắt dài ốp tường có thể dẫn đến kết quả cắt không mong muốn và đẩy lưới cửa ngược lại có thể gây thương tích cá nhân nghiêm trọng.

⚠CẢNH BÁO: Đảm bảo đưa tay chặn về vị trí ban đầu khi thực hiện các công việc không phải là cắt rãnh lòng máng. Cố cắt khi tay chặn đặt sai vị trí có thể dẫn đến kết quả cắt không mong muốn và đẩy lưới cửa ngược lại có thể gây thương tích cá nhân nghiêm trọng.

Đối với máy cắt loại dài ốp tường, thực hiện như sau:

- Điều chỉnh vị trí giới hạn dưới của lưới cửa đĩa bằng vít điều chỉnh và tay chặn để giới hạn độ sâu cắt xuống của lưới cửa đĩa. Vùi lòng tham khảo phần tay chặn.
- Sau khi điều chỉnh vị trí giới hạn dưới của lưới cửa đĩa, cắt các đường rãnh song song qua chiều rộng của phôi gia công bằng cách cắt trượt (đẩy).
- Loại bỏ vật liệu gia công giữa các đường rãnh bằng một cái đục.

Di chuyển dụng cụ

⚠CẢNH BÁO: Chốt chặn chỉ dùng để di chuyển và cất giữ và không nên dùng cho bất kỳ thao tác cắt nào. Việc sử dụng chốt chặn để vận hành cắt có thể làm lưới cửa di chuyển không mong muốn, khiến lưới cửa bị đẩy ngược lại và gây ra thương tích cá nhân nghiêm trọng.

⚠THẬN TRỌNG: Luôn cố định tất cả các phần động trước khi di chuyển dụng cụ. Nếu các phần của dụng cụ di chuyển hoặc trượt trong khi mang thì có thể khiến mất điều khiển hoặc mất cân bằng, gây thương tích cá nhân nghiêm trọng.

- **Hình54**

- Tháo hộp pin.
- Cố định lưới cửa ở góc xiên 0° và để xoay ở vị trí góc vát chéo hoàn toàn về bên phải.

- Cố định các cực trượt sao cho cực trượt dưới bị khóa ở vị trí bàn trượt được kéo hoàn toàn về phía người vận hành và các cực trượt trên bị khóa ở vị trí bàn trượt được đẩy hết về phía tấm chắn dẫn hướng.
- Hạ tay cầm xuống hết mức và khóa nó vào vị trí bên dưới bằng cách đẩy chốt chặn.
- Di chuyển dụng cụ bằng cách giữ cả hai bên bệ của dụng cụ. Nếu bạn tháo các giá đỡ, túi đựng hạt cưa, v.v..., bạn có thể di chuyển dụng cụ dễ dàng hơn.

BẢO TRÌ

⚠ CẢNH BÁO: Luôn đảm bảo rằng lưới cửa sắc bén và sạch sẽ để đạt hiệu suất hoạt động tốt nhất, an toàn nhất. Cờ cắt bằng lưới cửa cùn và/hoặc bẩn có thể khiến lưới cửa bị đẩy ngược trở lại và gây ra thương tích cá nhân nghiêm trọng.

⚠ THẬN TRỌNG: Hãy luôn chắc chắn rằng dụng cụ đã được tắt và hộp pin đã được tháo ra trước khi cố gắng thực hiện việc kiểm tra hay bảo dưỡng.

CHÚ Ý: Không được phép dùng xăng, ét xăng, dung môi, cồn hoặc hóa chất tương tự. Có thể xảy ra hiện tượng mất màu, biến dạng hoặc nứt vỡ.

Điều chỉnh góc cắt

Dụng cụ này được điều chỉnh và căn chỉnh cẩn thận tại nhà máy, tuy nhiên quá trình vận chuyển dẫn xóc có thể ảnh hưởng đến việc căn chỉnh này. Nếu dụng cụ của bạn được căn chỉnh không đúng cách, hãy thực hiện các bước sau:

Góc vát chéo

- Đẩy bàn trượt về phía tấm chắn dẫn hướng và siết chặt hai vít kẹp để cố định bàn trượt.
- Xoay để xoay đến khi kim chỉ chỉ đến 0° trên thang đo vát góc.
- Xoay nhẹ để xoay theo chiều kim đồng hồ và ngược chiều kim đồng hồ để đặt để xoay vào khác chéo 0°. (Hãy để nguyên kim chỉ nếu kim chỉ không chỉ 0°.)
- Nới lỏng các bu lông đầu ống sáu cạnh cố định thanh dẫn bằng cờ lê lục giác.
▶ **Hinh55:** 1. Tấm chắn dẫn hướng 2. Bu-lông đầu lỗ lục giác
- Hạ tay cầm xuống hết mức và khóa nó vào vị trí bên dưới bằng cách đẩy chốt chặn.
- Điều chỉnh thanh dẫn cho đến khi thanh dẫn tạo được góc vuông với lưới bằng cách sử dụng quy tắc tam giác, thước vuông góc, v.v... Sau đó vận chuyển bu lông đầu lỗ lục giác trên thanh dẫn theo trình tự từ mặt bên phải.
▶ **Hinh56:** 1. Quy tắc tam giác 2. Tấm chắn dẫn hướng

- Đảm bảo rằng kim chỉ chỉ báo 0° trên thang đo vát góc. Nếu kim chỉ không chỉ báo 0°, hãy nới lỏng vít đang giữ kim chỉ và điều chỉnh kim chỉ sao cho nó chỉ báo 0°.

▶ **Hinh57:** 1. Vít 2. Thang đo vát góc 3. Kim chỉ

Góc xiên

Góc xiên 0°

▶ **Hinh58:** 1. Cần gạt 2. Giá đỡ tay gạt 3. Bu-lông điều chỉnh góc xiên 0° 4. Tay gạt 5. Nut nhả

- Đẩy bàn trượt về phía tấm chắn dẫn hướng và siết chặt hai vít kẹp để cố định bàn trượt.
- Hạ tay cầm xuống hết mức và khóa nó vào vị trí bên dưới bằng cách đẩy chốt chặn.
- Nới lỏng cần gạt ở phía sau dụng cụ.
- Xoay bu-lông điều chỉnh góc xiên 0° (bu-lông dưới) ở bên phải của tay gạt hai hoặc ba vòng ngược chiều kim đồng hồ để xoay nghiêng lưới cửa sang bên phải.
- Xoay bu-lông điều chỉnh góc xiên 0° theo chiều kim đồng hồ cẩn thận cho đến khi mặt lưới cửa tạo một góc vuông với bề mặt đỉnh của đế xoay. Sử dụng quy tắc tam giác, thước góc vuông, v.v... như hướng dẫn. Sau đó siết cần gạt thật chặt.
▶ **Hinh59:** 1. Quy tắc tam giác 2. Lưới cửa 3. Mặt trên của bàn xoay

- Đảm bảo rằng kim chỉ trên tay gạt chỉ báo 0° trên thang đo xiên góc. Nếu kim chỉ không chỉ báo 0°, hãy nới lỏng vít đang giữ kim chỉ và điều chỉnh kim chỉ sao cho nó chỉ báo 0°.

▶ **Hinh60:** 1. Thang đo xiên góc 2. Kim chỉ 3. Vít

Góc xiên 45°

▶ **Hinh61:** 1. Bu-lông điều chỉnh góc xiên 45° bên trái

Điều chỉnh góc xiên 45° chỉ sau khi thực hiện xong việc điều chỉnh góc xiên 0°.

- Hãy nới lỏng cần gạt và xoay nghiêng lưới cửa sang trái hết mức.
- Đảm bảo rằng kim chỉ trên tay gạt chỉ báo 45° trên thang đo xiên góc. Nếu kim chỉ không chỉ báo 45°, xoay bu lông điều chỉnh góc xiên 45° (bu-lông trên) ở phía bên phải của tay gạt cho đến khi kim chỉ chỉ báo 45°.

Sau khi sử dụng

Sau khi sử dụng, hãy lau sạch các phoi và hạt bám vào dụng cụ bằng vải hoặc vật liệu tương tự. Giữ cho phần bảo vệ lưới cửa luôn sạch sẽ theo các hướng dẫn trong phần có tiêu đề "Phần bảo vệ lưới cửa" đã trình bày trước đó. Bôi trơn các phần trượt bằng dầu máy để ngăn ngừa rỉ sét.

Khi cất giữ dụng cụ, kéo bàn trượt về phía bạn hoàn toàn sao cho cực trượt nằm hoàn toàn trong bàn xoay.

Để đảm bảo ĐỘ AN TOÀN và ĐỘ TIN CẬY của sản phẩm, việc sửa chữa hoặc bất cứ thao tác bảo trì, điều chỉnh nào đều phải được thực hiện bởi các Trung tâm Dịch vụ Nhà máy hoặc Trung tâm được Makita Ủy quyền và luôn sử dụng các phụ tùng thiết bị thay thế của Makita.

PHỤ KIỆN TÙY CHỌN

⚠ CẢNH BÁO: Những phụ tùng hoặc phụ kiện Makita này được khuyến nghị sử dụng với dụng cụ Makita của bạn được nêu rõ trong tài liệu này. Sử dụng bất kỳ phụ tùng hoặc phụ kiện nào khác cũng có thể gây thương tích cá nhân nghiêm trọng.

⚠ CẢNH BÁO: Chỉ sử dụng phụ tùng hoặc phụ kiện Makita cho mục đích đã được nêu. Sử dụng không đúng phụ tùng hoặc phụ kiện có thể gây thương tích cá nhân nghiêm trọng.

Nếu bạn cần bất kỳ sự hỗ trợ nào để biết thêm chi tiết về các phụ tùng này, hãy hỏi Trung tâm Dịch vụ của Makita tại địa phương của bạn.

- Các lưỡi cưa bịt hợp kim cacbua (Tham khảo trang web của chúng tôi hoặc liên hệ với đại lý Makita tại địa phương của bạn để biết lưỡi cưa chính xác được sử dụng cho vật liệu cần cắt.)
- Bộ phận lắp bàn kẹp (Bàn kẹp ngang)
- Bàn kẹp đứng
- Bộ phận lắp giá đỡ
- Bộ phận lắp thanh giá đỡ
- Đĩa chặn
- Túi đựng mặt cưa
- Quy tắc tam giác
- Cờ lê sáu cạnh
- Pin và bộ sạc chính hãng của Makita

LƯU Ý: Một số mục trong danh sách có thể được bao gồm trong gói dụng cụ làm phụ kiện tiêu chuẩn. Các mục này ở mỗi quốc gia có thể khác nhau.

ข้อมูลจำเพาะ

รุ่น:	DLS714
เส้นผ่านศูนย์กลางใบเลื่อย	190 mm
รู (เพลามีต) เส้นผ่านศูนย์กลาง (กำหนดเฉพาะประเทศ)	20 mm หรือ 15.88 mm
ความหนาสูงสุดของร่องตัดของใบเลื่อย	2.2 mm
องศาการบากสูงสุด	ซ้าย 47°, ขวา 57°
องศามุมเอียงสูงสุด	ซ้าย 45°, ขวา 5°
ความเร็วหมุนเปล่า	5,700 min ⁻¹
ขนาด (ยาว x กว้าง x สูง)	655 mm x 430 mm x 445 mm
แรงดันไฟฟ้าสูงสุด	D.C.36 V
น้ำหนักสุทธิ	14.4 - 14.7 kg

- เนื่องจากการค้นคว้าวิจัยและพัฒนาอย่างต่อเนื่อง ข้อมูลจำเพาะในเอกสารฉบับนี้อาจเปลี่ยนแปลงได้โดยไม่ต้องแจ้งให้ทราบล่วงหน้า
- ข้อมูลจำเพาะอาจแตกต่างกันไปในแต่ละประเทศ
- น้ำหนักอาจแตกต่างกันไปตามอุปกรณ์เสริม รวมถึงตลับแบตเตอรี่ การติดอุปกรณ์เสริมที่เบาที่สุดและหนักที่สุดตามข้อบังคับของ EPTA 01/2014 มีแสดงอยู่ในตาราง

ตลับแบตเตอรี่และเครื่องชาร์จที่ใช้ได้

ตลับแบตเตอรี่	BL1815N / BL1820B / BL1830B / BL1840B / BL1850B / BL1860B
เครื่องชาร์จ	DC18RC / DC18RD / DC18RE / DC18SD / DC18SE / DC18SF / DC18SH

- ตลับแบตเตอรี่และเครื่องชาร์จบางรายการที่แสดงอยู่ด้านบนอาจไม่มีวางจำหน่ายขึ้นอยู่กับภูมิภาคที่คุณอาศัยอยู่

⚠ คำเตือน: ใช้ตลับแบตเตอรี่และเครื่องชาร์จที่ระบุไว้ข้างบนเท่านั้น การใช้ตลับแบตเตอรี่และเครื่องชาร์จประเภทอื่นอาจก่อให้เกิดความเสี่ยงที่จะได้รับบาดเจ็บและ/หรือเกิดไฟไหม้

ความสามารถในการตัด (สูง x กว้าง) ด้วยใบมีด เส้นผ่านศูนย์กลาง 190 mm


องศาการบาก	องศามุมเอียง		
	45° (ซ้าย)	0°	5° (ขวา)
0°	40 mm x 300 mm	52 mm x 300 mm	40 mm x 300 mm
	45 mm x 265 mm (หมายเหตุ 1)	60 mm x 265 mm (หมายเหตุ 1)	—
45° (ซ้ายและขวา)	40 mm x 212 mm	52 mm x 212 mm	—
	45 mm x 185 mm (หมายเหตุ 2)	60 mm x 185 mm (หมายเหตุ 2)	—
57° (ขวา)	—	52 mm x 163 mm	—
	—	60 mm x 145 mm (หมายเหตุ 3)	—

1. ความสามารถในการตัดสูงสุดเมื่อใช้ไม้ไฟที่มีความหนา 20 mm
2. ความสามารถในการตัดสูงสุดเมื่อใช้ไม้ไฟที่มีความหนา 15 mm
3. ความสามารถในการตัดสูงสุดเมื่อใช้ไม้ไฟที่มีความหนา 10 mm

สัญลักษณ์

ต่อไปนี้เป็นสัญลักษณ์ที่อาจใช้สำหรับอุปกรณ์ โปรดศึกษาความหมายของสัญลักษณ์ให้เข้าใจก่อนการใช้งาน

-  อ่านคู่มือการใช้งาน
-  เพื่อป้องกันการบาดเจ็บจากเศษวัสดุ กระเด็น ให้ถือเลื่อยให้หัวอยู่ต่ำเสมอทั้งเมื่อตัดเสร็จจนกระทั่งใบเลื่อยหยุดสนิท
-  เมื่อทำการตัดสไลด์ ขึ้นแรกให้ดึงแครวจนสุดและกดตามจับลง แล้วจึงดันแครไปหาจนกว่า
-  อย่างนำมือหรือนิ้วไปใกล้ใบเลื่อย
-  ตั้งฉากรองอยู่ที่ตำแหน่งทางซ้ายเสมอเมื่อทำการตัดแบบเอียงซ้าย มิฉะนั้น อาจก่อให้เกิดการบาดเจ็บร้ายแรงต่อผู้ใช้งานได้



Ni-MH
Li-Ion

สำหรับประเทศในสหภาพยุโรปเท่านั้น เนื่องจากในอุปกรณ์มีส่วนประกอบอันตราย ขยะจำพวกอุปกรณ์ไฟฟ้าและอิเล็กทรอนิกส์ แบตเตอรี่ และหม้อแบตเตอรี่จึงอาจส่งผลกระทบต่อสิ่งแวดล้อมและสุขภาพอนามัยของมนุษย์ในเชิงลบ อย่างไรก็ตามการใช้ไฟฟ้าและอิเล็กทรอนิกส์หรือแบตเตอรี่ร่วมกับวัสดุเหลือทิ้งในครัวเรือน

เพื่อให้เป็นไปตามกฎระเบียบของยุโรปว่าด้วยขยะจำพวกอุปกรณ์ไฟฟ้าและอิเล็กทรอนิกส์ และหม้อสะสมไฟฟ้าและแบตเตอรี่ รวมถึงการบังคับใช้ตามกฎหมายภายในประเทศ ควรมีการจัดเก็บขยะจำพวกอุปกรณ์ไฟฟ้า แบตเตอรี่ และหม้อสะสมไฟฟ้าแยกต่างหากและส่งไปยังจุดรับขยะต่างหากในเขตเทศบาลซึ่งมีการดำเนินการตามระเบียบว่าด้วยการดูแลสิ่งแวดล้อม

โดยระบุด้วยสัญลักษณ์เส้นคาดขวางรูปถังขยะแบบมีล้อไว้บนอุปกรณ์

จุดประสงค์การใช้งาน

เครื่องมือนี้มีจุดประสงค์เพื่อการตัดไม้แบบตรงและแบบบากได้อย่างเที่ยงตรง
อย่าใช้เลื่อยเพื่อตัดสิ่งอื่นๆ นอกจากไม้ อลูมิเนียม หรือวัสดุที่มีลักษณะเดียวกัน

คำเตือนด้านความปลอดภัย

คำเตือนด้านความปลอดภัยของเครื่องมือไฟฟ้าทั่วไป

คำเตือน: โปรดอ่านคำเตือนด้านความปลอดภัย คำแนะนำ ภาพประกอบ และข้อมูลจำเพาะต่างๆ ที่หามา กับเครื่องมือไฟฟ้าอย่างละเอียด การไม่ปฏิบัติตามคำแนะนำดังต่อไปนี้ อาจส่งผลให้เกิดไฟฟ้าช็อต ไฟไหม้ และ/หรือได้รับบาดเจ็บอย่างร้ายแรงได้

เก็บรักษาคำเตือนและคำแนะนำทั้งหมดไว้

เป็นข้อมูลอ้างอิงในอนาคต

คำว่า “เครื่องมือไฟฟ้า” ในคำเตือนนี้หมายถึงเครื่องมือไฟฟ้า (มีสาย) ที่ทำงานโดยใช้กระแสไฟฟ้าหรือเครื่องมือไฟฟ้า (ไร้สาย) ที่ทำงานโดยใช้แบตเตอรี่

ความปลอดภัยของพื้นที่ทำงาน

1. ดูแลพื้นที่ทำงานให้มีความสะอาดและมีแสงไฟสว่าง พื้นที่รกกระระกะหรือมืดที่บอาจนำไปสู่การเกิดอุบัติเหตุได้
2. อย่าใช้งานเครื่องมือไฟฟ้าในสภาพที่อาจเกิดการระเบิด เช่น ในสถานที่ที่มีของเหลว ก๊าซ หรือฝุ่นผงที่มีคุณสมบัติไวไฟ เครื่องมือไฟฟ้าอาจสร้างประกายไฟ และจุดชนวนฝุ่นผงหรือก๊าซดังกล่าว
3. ดูแลไม่ให้มีเด็ก หรือบุคคลอื่นอยู่ในบริเวณที่กำลังใช้เครื่องมือไฟฟ้า การมีสิ่งรบกวนสมาธิอาจทำให้คุณสูญเสียการควบคุม

ความปลอดภัยด้านไฟฟ้า

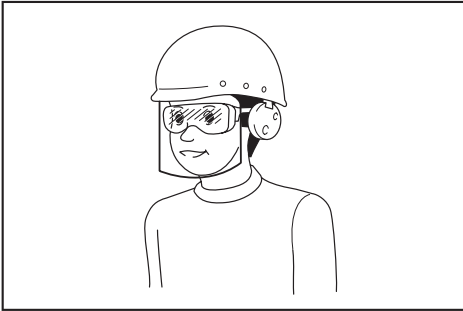
1. ปลั๊กของเครื่องมือไฟฟ้าต้องพอดีกับเต้ารับ อย่าดัดแปลงปลั๊กไม่ว่ากรณีใดๆ อย่าใช้ปลั๊กอะแดปเตอร์กับเครื่องมือไฟฟ้าที่ต่อสายดิน ปลั๊กที่ไม่ถูกดัดแปลงและเต้ารับที่เข้ากันพอดีจะช่วยลดความเสี่ยงของการเกิดไฟฟ้าช็อต
2. ระวังอย่าให้ร่างกายสัมผัสกับพื้นผิวที่ต่อสายดิน เช่น ท่อ เครื่องนำความร้อน เต้าหุงต้ม และตู้เย็น มีความเสี่ยงที่จะเกิดไฟฟ้าช็อตสูงขึ้น หากร่างกายของคุณสัมผัสกับพื้น
3. อย่าให้เครื่องมือไฟฟ้าถูกน้ำหรืออยู่ในสภาพเปียกชื้น น้ำที่ไหลเข้าไปในเครื่องมือไฟฟ้าจะเพิ่มความเสี่ยงของการเกิดไฟฟ้าช็อต

4. อย่าใช้สายไฟอย่างไม่เหมาะสม อย่าใช้สายไฟเพื่อยก ดึง หรือถอดปลั๊กเครื่องมือไฟฟ้า เก็บสายไฟให้ห่างจากความร้อน น้ำมัน ของมีคม หรือชิ้นส่วนที่เคลื่อนที่ สายที่ชำรุดหรือพันกันจะเพิ่มความเสี่ยงของการเกิดไฟฟ้าช็อต
5. ขณะที่ใช้งานเครื่องมือไฟฟ้านอกอาคาร ควรใช้สายต่อพ่วงที่เหมาะสมกับงานภายนอกอาคาร การใช้สายที่เหมาะสมกับงานภายนอกอาคารจะลดความเสี่ยงของการเกิดไฟฟ้าช็อต
6. หากต้องใช้งานเครื่องมือไฟฟ้าในสถานที่เปียกชื้น ให้ใช้อุปกรณ์ป้องกันกระแสไฟรั่ว (RCD) การใช้ RCD จะลดความเสี่ยงของการเกิดไฟฟ้าช็อต
7. เครื่องมือไฟฟ้าอาจสร้างสนามแม่เหล็ก (EMF) ที่ไม่เป็นอันตรายต่อผู้ใช้ อย่างไรก็ตาม ผู้ใช้ที่ใส่เครื่องกระตุ้นหัวใจและอุปกรณ์ทางการแพทย์ที่คล้ายกันนี้ ควรติดต่อผู้ผลิตรายการและ/หรือแพทย์เพื่อรับคำแนะนำก่อนใช้งานเครื่องมือไฟฟ้านี้

ความปลอดภัยส่วนบุคคล

1. ให้ระมัดระวังและมึสติอยู่เสมอขณะใช้งานเครื่องมือไฟฟ้า อย่าใช้งานเครื่องมือไฟฟ้าในขณะที่คุณกำลังเหนื่อย หรือในสภาพที่มึนเมาจากยาเสพติด เครื่องดื่ม แอลกอฮอล์ หรือการไช้ยา ช่วงเวลาที่ขาดความระมัดระวังเมื่อกำลังใช้งานเครื่องมือไฟฟ้าอาจทำให้ได้รับบาดเจ็บร้ายแรง
2. ใช้อุปกรณ์ป้องกันส่วนบุคคล สวมแว่นตาป้องกันแสงมอ อุปกรณ์ป้องกัน เช่น หน้ากากกันฝุ่น รองเท้านิรภัย กันลื่น หมวกนิรภัย หรือเครื่องป้องกันการได้ยินที่ใช้ในสภาพที่เหมาะสมจะช่วยลดการบาดเจ็บ
3. ป้องกันไม่ให้เกิดการเปิดใช้งานโดยไม่ตั้งใจ ตรวจสอบให้แน่ใจว่าสวิตช์ปิดอยู่ก่อนที่จะเชื่อมต่อกับแหล่งจ่ายไฟ และ/หรือชุดแบตเตอรี่ รวมทั้งตรวจสอบก่อนการยกหรือเคลื่อนย้ายเครื่องมือ การสอดนิ้วมือบริเวณสวิตช์เพื่อถือเครื่องมือไฟฟ้า หรือการชาร์จไฟเครื่องมือไฟฟ้าในขณะที่เปิดสวิตช์อยู่อาจนำไปสู่การเกิดอุบัติเหตุ
4. นำคู่มือฉบับปรับปรุงหรือประจำออกก่อนที่จะเปิดเครื่องมือไฟฟ้า ประแจหรือคู่มือที่เสียบค้างอยู่ในชิ้นส่วนที่หมุนได้ของเครื่องมือไฟฟ้าอาจทำให้ได้รับบาดเจ็บ
5. อย่าทำงานในระยะที่สุดเอื้อม จัดท่ากรยีนและการทรงตัวให้เหมาะสมตลอดเวลา เพราะจะทำให้ควบคุมเครื่องมือไฟฟ้าได้ดีขึ้นในสถานการณ์ที่ไม่คาดคิด

6. แต่งกายให้เหมาะสม อย่าสวมเครื่องแต่งกายที่หลวมเกินไป หรือสวมเครื่องประดับ ดูแลไม่ให้เส้นผมและเสื้อผ้าอยู่ใกล้ชิ้นส่วนที่เคลื่อนที่ เสื้อผ้ารุ่มร่าม เครื่องประดับ หรือผมที่มีความยาวอาจเข้าไปติดในชิ้นส่วนที่เคลื่อนที่
7. หากมีการจัดอุปกรณ์สำหรับดูดและจัดเก็บฝุ่นไว้ในสถานที่ ให้ตรวจสอบว่าได้เชื่อมต่อและใช้งานอุปกรณ์นั้นอย่างเหมาะสม การใช้เครื่องดูดและจัดเก็บฝุ่นจะช่วยลดอันตรายที่เกิดจากฝุ่นผงได้
8. อย่าให้ความดันเคยจากการใช้งานเครื่องมือเป็นประจำทำให้คุณทำตัวตามสบายและละเลยหลักการเพื่อความปลอดภัยในการใช้เครื่องมือ การกระทำที่ไม่ระมัดระวังอาจทำให้เกิดการบาดเจ็บร้ายแรงภายในเสี้ยววินาที
9. สวมใส่แว่นครอบตานิรภัยเพื่อปกป้องดวงตาของคุณจากการบาดเจ็บเมื่อใช้เครื่องมือไฟฟ้า แว่นครอบตาจะต้องได้มาตรฐาน ANSI Z87.1 ในสหรัฐอเมริกา, EN 166 ในยุโรป หรือ AS/NZS 1336 ในออสเตรเลีย/นิวซีแลนด์ ในออสเตรเลีย/นิวซีแลนด์ จะต้องสวมเกราะป้องกันใบหน้าเพื่อปกป้องใบหน้าของคุณอย่างถูกต้องตามกฎหมายด้วย



ผู้ว่าจ้างมีหน้าที่รับผิดชอบในการบังคับผู้ใช้งานเครื่องมือและบุคคลอื่นๆ ที่อยู่ในบริเวณที่ปฏิบัติงานให้ใช้อุปกรณ์ป้องกันที่เหมาะสม

การใช้และดูแลเครื่องมือไฟฟ้า

1. อย่าฝืนใช้เครื่องมือไฟฟ้า ใช้เครื่องมือไฟฟ้าที่เหมาะสมกับการใช้งานของคุณ เครื่องมือไฟฟ้าที่เหมาะสมจะทำให้ได้งานที่มีประสิทธิภาพและปลอดภัยกว่าตามขีดความสามารถของเครื่องที่ได้รับการออกแบบมา
2. อย่าใช้เครื่องมือไฟฟ้า หากสวิตช์ไม่สามารถเปิดปิดได้ เครื่องมือไฟฟ้าที่ควบคุมด้วยสวิตช์ไม่ได้เป็นสิ่งอันตรายและต้องได้รับการซ่อมแซม

3. ถอดปลั๊กจากแหล่งจ่ายไฟ และ/หรือชุดแบตเตอรี่ออกจากเครื่องมือไฟฟ้าก่อนทำการปรับตั้ง เปลี่ยนอุปกรณ์เสริม หรือจัดเก็บเครื่องมือไฟฟ้า วิธีการป้องกันด้านความปลอดภัยดังกล่าวจะช่วยลดความเสี่ยงในการเปิดใช้งานเครื่องมือไฟฟ้าโดยไม่ตั้งใจ
4. จัดเก็บเครื่องมือไฟฟ้าที่ไม่ได้ใช้งานให้ห่างจากมือเด็ก และอย่าอนุญาตให้บุคคลที่ไม่คุ้นเคยกับเครื่องมือไฟฟ้าหรือคำแนะนำเหล่านี้ใช้งานเครื่องมือไฟฟ้า เครื่องมือไฟฟ้าจะเป็นอันตรายเมื่ออยู่ในมือของผู้ที่ไม่ได้รับการฝึกอบรม
5. บำรุงรักษาเครื่องมือไฟฟ้าและอุปกรณ์เสริม ตรวจสอบการประกอบที่ไม่ถูกต้องหรือการเชื่อมต่อของชิ้นส่วนที่เคลื่อนที่ การแตกหักของชิ้นส่วน หรือสภาพอื่นๆ ที่อาจส่งผลกระทบต่อการทำงานของเครื่องมือไฟฟ้า หากมีความเสียหาย ให้นำเครื่องมือไฟฟ้าไปซ่อมแซมก่อนการใช้งาน อุบัติเหตุจำนวนมากเกิดจากการดูแลรักษาเครื่องมือไฟฟ้าอย่างไม่ถูกต้อง
6. ทำความสะอาดเครื่องมือตัดและลับให้คมอยู่เสมอ เครื่องมือการตัดที่มีการดูแลอย่างถูกต้องและมีขอบการตัดคมมักจะมีปัญหาติดขัดน้อยและควบคุมได้ง่ายกว่า
7. ใช้เครื่องมือไฟฟ้า อุปกรณ์เสริม และวัสดุสิ้นเปลือง ฯลฯ ตามคำแนะนำดังกล่าว พิจารณาสภาพการทำงานและงานที่จะลงมือทำ การใช้เครื่องมือไฟฟ้าเพื่อทำงานอื่นนอกเหนือจากที่กำหนดไว้อาจทำให้เกิดอันตราย
8. ดูแลมือจับและบริเวณมือจับให้แห้ง สะอาด และไม่มีน้ำมันและจาระบีเปื้อน มือจับและบริเวณมือจับที่ลื่นจะทำให้ไม่สามารถจับและควบคุมเครื่องมือได้อย่างปลอดภัยในสถานการณ์ที่ไม่คาดคิด
9. ขณะใช้งานเครื่องมือ อย่าสวมใส่ถุงมือผ้าที่อาจเข้าไปติดในเครื่องมือได้ หากถุงมือผ้าเข้าไปติดในชิ้นส่วนที่กำลังเคลื่อนที่ที่อยู่อาจทำให้ได้รับบาดเจ็บ

การใช้งานและดูแลเครื่องมือที่ใช้แบตเตอรี่

1. ชาร์จไฟใหม่ด้วยเครื่องชาร์จที่ระบุโดยผู้ผลิตเท่านั้น เครื่องชาร์จที่เหมาะสมสำหรับชุดแบตเตอรี่ประเภทนี้อาจเสี่ยงที่จะเกิดไฟไหม้หากนำไปใช้กับชุดแบตเตอรี่อีกประเภทหนึ่ง
2. ใช้เครื่องมือไฟฟ้ากับชุดแบตเตอรี่ที่กำหนดมาโดยเฉพาะเท่านั้น การใช้ชุดแบตเตอรี่ประเภทนี้อาจทำให้เสี่ยงที่จะได้รับบาดเจ็บและเกิดไฟไหม้

- เมื่อไม่ใช้งานชุดแบตเตอรี่ ให้เก็บห่างจากวัตถุที่เป็นโลหะอื่นๆ เช่น คลิปหนีบกระดาษ เหรียญ กุญแจ กรรไกรตัดเล็บ สกรู หรือวัตถุที่เป็นโลหะขนาดเล็กอื่นๆ ที่สามารถเชื่อมต่อชั่วคราวกับอีกขั้วหนึ่งได้ การลัดวงจรขั้วแบตเตอรี่อาจทำให้ร้อนจัดหรือเกิดไฟไหม้
- ใช้ที่หนีบยึดจับชิ้นงานเสมอ ถ้าจับชิ้นงานด้วยมือ ต้องให้มืออยู่ห่างจากใบเลื่อยแต่ละด้านอย่างน้อย 100 mm อย่าใช้เลื่อยนี้ตัดชิ้นงานที่มีขนาดเล็กเกินไปที่จะจับให้แน่นด้วยที่หนีบหรือจับด้วยมือ ถ้าวางมือใกล้ใบเลื่อยเกินไป อาจเพิ่มความเสี่ยงที่จะได้รับบาดเจ็บจากการสัมผัสใบเลื่อย
- ชิ้นงานจะต้องมีความมั่นคง และยึดจับหรือประคองให้ชิดกับฉากกันและโต๊ะ อย่างน้อยชิ้นงานเข้าไปใบเลื่อยหรือตัด "ด้วยมือเปล่า" ไม่ควรวีธีใดก็ตาม ชิ้นงานที่ไม่มั่นคงหรือเคลื่อนที่ไปมาอาจเหวี่ยงออกด้วยความเร็วสูงซึ่งทำให้ได้รับบาดเจ็บได้
- ดันเลื่อยออกจากตัวเพื่อตัดผ่านชิ้นงาน อยู่ตั้งเลื่อยเข้าหาตัวเพื่อตัดผ่านชิ้นงาน วิธีการตัด ให้ยกหัวเลื่อยและตั้งขึ้นเหนือชิ้นงานโดยยังไม่ทำการตัด เปิดมอเตอร์ กดหัวเลื่อยลงและดันเลื่อยออกจากตัวเพื่อตัดผ่านชิ้นงาน การตัดโดยการตีเข้ามีแนวโน้มที่จะทำให้ใบเลื่อยเป็นชิ้นบนชิ้นงานและเหยียดส่วนประกอบใบเลื่อยเข้าหาผู้ปฏิบัติงานอย่างรุนแรง
- อย่าวางมือพาดบนแนวการตัดไม่ว่าจะด้านหน้าหรือด้านหลังใบเลื่อย การจับชิ้นงานแบบ "วางมือพาด" เช่น การจับชิ้นงานให้ตรงกับใบเลื่อยด้วยมือซ้ายหรือมือขวาที่ถนัดนั้นอันตรายมาก

▶ **หมายเลข 1**

- อย่านำมือเข้าใกล้ด้านหลังฉากกันเกินกว่า 100 mm จากทั้งสองด้านของใบเลื่อยเพื่อนำเศษไม้ ออก หรือเพื่อเหตุผลอื่นๆ ในขณะที่ใบเลื่อยยังหมุนอยู่ ใบเลื่อยอาจหมุนเข้าใกล้มือของคุณโดยไม่รู้ตัวและอาจทำให้คุณได้รับบาดเจ็บสาหัสได้
- ตรวจสอบชิ้นงานก่อนการตัด ถ้าชิ้นงานโค้งหรืออ ให้ยึดโดยให้ส่วนโค้งด้านนอกหันเข้าหาฉากกัน ตรวจสอบให้แน่ใจเสมอว่าไม่มีช่องว่างระหว่างชิ้นงาน ฉากกัน และโต๊ะตลอดแนวการตัด ชิ้นงานที่โค้งหรือออาจบิดหรือเคลื่อนที่ และอาจทำให้ใบเลื่อยที่กำลังหมุนตัดขณะตัด ไม่ควรมีตะปูหรือวัตถุแปลกปลอมในชิ้นงาน
- อย่าใช้งานเลื่อยจนกว่าจะนำเครื่องมือ เศษไม้ ฯลฯ ออกจากบนโต๊ะให้หมด และเหลือเฉพาะชิ้นงาน เศษวัสดุชิ้นเล็กๆ หรือชิ้นส่วนของไม้หรือวัตถุอื่นๆ ที่สัมผัสกับใบเลื่อยที่กำลังหมุนอาจถูกเหวี่ยงออกด้วยความเร็วสูง
- ตัดชิ้นงานเพียงครั้งละชิ้นเท่านั้น ชิ้นงานที่วางซ้อนกันหลายชิ้นอาจทำให้ไม่สามารถจับหรือยึดได้ดีพอ และอาจเข้าไปติดกับใบเลื่อยหรือเคลื่อนที่ขณะตัด

การซ่อมบำรุง

- นำเครื่องมือไฟฟ้าเข้ารับบริการจากช่างซ่อมที่ผ่านการรับรองโดยใช้อะไหล่แบบเดียวกันเท่านั้น เพราะจะทำให้การใช้เครื่องมือไฟฟ้ามีความปลอดภัย
- ห้ามใช้ชุดแบตเตอรี่ที่เสียหาย ชุดแบตเตอรี่ที่ใช้ควรเป็นชุดที่มาจากผู้ผลิต หรือผู้ให้บริการที่ได้รับอนุญาตเท่านั้น
- ปฏิบัติตามคำแนะนำในการหล่อลื่นและการเปลี่ยนอุปกรณ์เสริม

คำแนะนำเพื่อความปลอดภัยสำหรับเครื่องเลื่อยองศาแบบสไลด์

- เครื่องเลื่อยองศาแบบสไลด์ใช้สำหรับตัดไม้หรือวัสดุที่คล้ายไม้ ไม่สามารถใช้กับลวดตัดแบบขัดสำหรับตัดวัสดุประเภทเหล็ก เช่น แท่งโลหะ ก้านโลหะ สลัก ฯลฯ ผู้่นจากการขัดทำให้ชิ้นส่วนหมุน เช่น ที่ป้องกันด้านล่าง ตัดขัด ประกายไฟจากการตัดโดยการขัด จะทำให้ที่ป้องกันด้านล่าง ช่องร่องตัด และชิ้นส่วนพลาสติกอื่นๆ ไหม้

10. ตรวจสอบให้แน่ใจว่าติดตั้งหรือวางเครื่องเลื่อยของคาแบบสไลด์บนพื้นผิวสำหรับการทำงานที่ราบเรียบและมั่นคงก่อนใช้งาน พื้นผิวสำหรับการทำงานที่ราบเรียบและมั่นคงช่วยลดความเสี่ยงที่เครื่องเลื่อยของคาแบบสไลด์จะโยกคลอน
 11. วางแผนการทำงาน ทุกครั้งที่คุณเปลี่ยนการตั้งค่าองศามุมเอียงหรือมุมปาก ตรวจสอบให้แน่ใจว่าได้ปรับตั้งฉากกันแบบปรับได้เพื่อรองรับชิ้นงานอย่างถูกต้องแล้ว และจะไม่กีดขวางใบเลื่อยหรือระบบป้องกันก่อน "เปิด" เครื่องมือและวางชิ้นงานบนโต๊ะ ให้ลองเลื่อนใบเลื่อยจำลองการตัด เพื่อตรวจสอบให้แน่ใจว่าจะไม่มีการกีดขวางหรืออันตรายจากการตัดโดนฉากกัน
 12. จัดเตรียมที่รองให้เพียงพอ เช่น โต๊ะต่อ ม้าตั้ง ชลข สำหรับชิ้นงานที่มีขนาดกว้างกว่าหรือยาวกว่าหน้าโต๊ะ ชิ้นงานที่มีขนาดยาวกว่าหรือกว้างกว่าโต๊ะวางเครื่องเลื่อยของคาแบบสไลด์อาจจะคว่ำลงมาได้ถ้าไม่รองอย่างดี ถ้าชิ้นส่วนที่ตัดแล้วหรือชิ้นงานคว่ำลงมา อาจทำให้ที่ป้องกันด้านล่างยกขึ้นหรือถูกใบเลื่อยที่หมุนอยู่เหยียดออกมา
 13. อย่าให้บุคคลอื่นรองรับชิ้นงานแทนโต๊ะต่อหรือรองรับเพิ่มจากโต๊ะต่อ การรองรับชิ้นงานที่ไม่มั่นคงอาจทำให้ใบเลื่อยติดขัดหรือชิ้นงานเคลื่อนที่ระหว่างดำเนินการตัดซึ่งจะดึงคุณและผู้ช่วยเข้าหาใบเลื่อยที่กำลังหมุนอยู่
 14. ชิ้นส่วนที่ตัดแล้วจะต้องไม่เข้าไปติดหรือกีดกับใบเลื่อยที่กำลังหมุนอยู่เด็ดขาด ถ้ามีการจำกัด เช่น การใช้เครื่องกำหนดความยาว ชิ้นส่วนที่ตัดอาจถูกบีบอัดกับไม้เลื่อยและถูกเหยียดออกอย่างรุนแรง
 15. ใช้ที่หนีบหรือที่ยึดที่ออกแบบมาเพื่อจับยึดวัสดุทรงกลมเช่น แท่งเหล็กหรือท่อ โดยเฉพาะเสมอ มีแนวโน้มว่าแท่งเหล็กอาจหมุนขณะกำลังตัดซึ่งจะทำให้ใบเลื่อย "ติด" และดึงชิ้นงานและมือของคุณเข้าไปในใบเลื่อยได้
 16. ปลดปล่อยใบเลื่อยหมุนที่ความเร็วสูงสุดก่อนสัมผัสกับชิ้นงาน ซึ่งจะช่วยลดความเสี่ยงที่ชิ้นงานจะถูกเหยียดออก
 17. ถ้าชิ้นงานหรือใบเลื่อยติด ให้ปิดเครื่องเลื่อยของคา รอจนกระทั่งชิ้นส่วนที่หมุนหยุดและถอดปลั๊กจากแหล่งจ่ายไฟ และ/หรือ ถอดชุดแบตเตอรี่ออก จากนั้นจัดการนำวัสดุที่ติดใบเลื่อยออก การเลื่อยต่อในขณะที่มีชิ้นงานติดอยู่อาจทำให้เสียการควบคุมหรือทำให้เครื่องเลื่อยของคาเสียหายได้
 18. หลังตัดเสร็จแล้ว ให้ปล่อยสวิตช์ กัดหัวเลื่อยลง และรอจนกระทั่งใบเลื่อยหยุดหมุนก่อนที่จะนำชิ้นส่วนที่ตัดแล้วออกมา การนำมือเข้าใกล้ใบเลื่อยที่กำลังหมุนเป็นอันตราย
 19. ให้จับมือจับให้แน่นเมื่อทำการตัดที่ยังไม่สมบูรณ์ หรือเมื่อปล่อยสวิตช์ก่อนที่จะหัวเลื่อยจะอยู่ในตำแหน่งลง การหยุดการทำงานของเลื่อยอาจทำให้หัวเลื่อยถูกดึงลงด้านล่างกะทันหันซึ่งมีความเสี่ยงที่จะทำให้ได้รับบาดเจ็บได้
 20. ใช้ใบเลื่อยที่มีเส้นผ่านศูนย์กลางตามที่เครื่องหมายไว้บนเครื่องมือหรือระบุไว้ในคู่มือเท่านั้น การใช้ใบเลื่อยที่มีขนาดไม่ถูกต้องอาจส่งผลกระทบต่อป้องกันใบเลื่อยอย่างเหมาะสมหรือการทำงานของอุปกรณ์ป้องกันซึ่งอาจส่งผลให้เกิดการบาดเจ็บร้ายแรง
 21. ใช้ใบเลื่อยที่มีความเร็วที่กำหนดบนใบเลื่อยเท่ากับหรือมากกว่าความเร็วที่กำหนดบนเครื่องมือเท่านั้น
 22. อย่าใช้เลื่อยเพื่อตัดสิ่งอื่น นอกจากไม้ อะลูมิเนียมหรือวัสดุที่มีลักษณะเดียวกัน
 23. (สำหรับประเทศในยุโรปเท่านั้น)
ใช้ใบเลื่อยที่สอดคล้องตามมาตรฐาน EN847-1 เสมอ
- คำแนะนำเพิ่มเติม
1. ลือคฤงญแห่งห้องปฏิบัติงานเพื่อกันเด็กเข้า
 2. อย่ายืนบนเครื่องมือเด็ดขาด หากเครื่องมือล้มลงหรือสัมผัสกับเครื่องมือตัดโดยไม่ได้ตั้งใจอาจทำให้ได้รับบาดเจ็บสาหัสได้
 3. อย่าปล่อยให้เครื่องมือทำงานโดยไม่มีผู้ดูแลเด็ดขาด ปิดเครื่อง อย่าปล่อยให้เครื่องมือทิ้งไว้จนกว่าเครื่องมือจะหยุดทำงานสนิท
 4. อย่าใช้เลื่อยโดยที่ป้องกันไม่อยู่กับที่ ตรวจสอบให้ที่ป้องกันใบเลื่อยปิดอยู่ในตำแหน่งที่เหมาะสมก่อนการใช้งานทุกครั้ง อย่าใช้งานเลื่อยหากที่ป้องกันใบเลื่อยไม่สามารถเคลื่อนที่ได้อย่างอิสระและปิดในทันที อย่าหนีบหรือผูกที่ป้องกันใบเลื่อยไว้ในตำแหน่งปิดค้างไว้
 5. อย่าเอามือไปไว้ในแนวใบเลื่อย ระวังอย่าสัมผัสใบเลื่อยที่กำลังหมุนอยู่ เนื่องจากอาจทำให้ได้รับบาดเจ็บสาหัสได้
 6. เพื่อลดความเสี่ยงจากการบาดเจ็บ ให้นำโครยกกลับไปไว้ที่ตำแหน่งหลังสุดหลังการตัดแต่ละครั้ง
 7. ยึดส่วนที่เคลื่อนที่ได้ทั้งหมดก่อนยกเครื่องมือ
 8. เชื่อมสต่อเปอร์ซึ่งเป็นตัวล๊อคหัวตัด ใช้สำหรับการยกและการเก็บเท่านั้น ห้ามใช้ในการตัดใดๆ

9. ตรวจสอบใบเลื่อยอย่างละเอียดเพื่อหารอยแตกหรือความเสียหายก่อนที่จะใช้งาน เปลี่ยนใบเลื่อยที่ร้าวหรือเสียหายทันที ยางไม้เหนียวและยางที่แข็งตัวอยู่บนใบเลื่อยจะทำให้เลื่อยหมุนช้าลงและเพิ่มโอกาสในการติดกลับ รักษาความสะอาดของใบเลื่อยโดยเริ่มจากถอดใบเลื่อยออกจากเครื่องมือ แล้วทำความสะอาดด้วยน้ำยาล้างจาน น้ำร้อน หรือน้ำมันก๊าด ห้ามใช้น้ำมันเชื้อเพลิงในการทำความสะอาดใบเลื่อยเด็ดขาด
10. ในขณะที่ทำการตัดแบบเฉียง อาจเกิดการติดกลับ การติดกลับจะเกิดขึ้นเมื่อใบเลื่อยติดอยู่กับชิ้นงานระหว่างการตัด ใบเลื่อยจะถูกขับเคลื่อนพุ่งเข้าหาผู้ปฏิบัติงานอย่างรวดเร็ว ซึ่งอาจทำให้สูญเสียการควบคุมและได้รับบาดเจ็บสาหัสได้ หากใบเลื่อยติดระหว่างทำการตัด อย่าพยายามตัดต่อและให้ปล่อยสวิตช์ทันที
11. ใช้แต่แกนสำหรับเครื่องมือนี้เท่านั้น
12. ระวังอย่าให้เพลาลेื่อย หน้าแปลน (โดยเฉพาะอย่างยิ่งการติดตั้ง) หรือสลักเกลียวเสียหาย หากส่วนต่างๆ เหล่านี้เสียหายอาจเป็นสาเหตุให้ใบเลื่อยเสียหายได้
13. ตรวจสอบให้แน่ใจว่าได้ยึดฐานหมุนอย่างแน่นหนาเพื่อให้ไม่เคลื่อนที่ในระหว่างการทำงาน ใช้รูที่ฐานเครื่องเพื่อยึดติดกับแท่นทำงานหรือม้าตั้งที่มั่นคง ห้ามใช้เครื่องมือโดยที่ผู้ปฏิบัติงานอยู่ในตำแหน่งที่ทำงานไม่ถนัด
14. ตรวจสอบให้แน่ใจว่าได้ปล่อยล็อกกันก่อนที่จะเปิดสวิตช์
15. โปรดตรวจสอบให้แน่ใจว่าใบเลื่อยไม่สัมผัสกับฐานหมุนในจุดที่ต่ำที่สุด
16. จับมือจับให้แน่น โปรดระมัดระวังเนื่องจากใบเลื่อยจะเคลื่อนขึ้นหรือลงเล็กน้อยในระหว่างที่เริ่มและหยุดทำงาน
17. ตรวจสอบให้แน่ใจว่าใบเลื่อยนั้นไม่ได้สัมผัสกับชิ้นงานก่อนที่จะเปิดสวิตช์
18. ก่อนที่จะใช้เครื่องมือบนชิ้นงานจริง ปล่อยให้เครื่องมือทำงานเปล่าๆ สักครู่ ดูการสั่นสะเทือนหรือการคลอนแคลนที่อาจแสดงถึงการใส่และการให้สมดุลใบเลื่อยที่ไม่ดีพอ
19. หยุดทำงานทันทีหากคุณพบว่า มีสิ่งผิดปกติ
20. อย่าพยายามล็อกสวิตช์สั่งงานให้อยู่ในตำแหน่ง “เปิด”
21. ใช้แต่อุปกรณ์เสริมที่แนะนำในคู่มือการใช้งานนี้เท่านั้น การใช้อุปกรณ์เสริมที่ไม่เหมาะสม เช่น วงล้อแบบขัด อาจทำให้ได้รับบาดเจ็บได้

22. วัสดุบางอย่างอาจมีสารเคมีที่เป็นพิษ ระวังอย่าสูดดมฝุ่นหรือสัมผัสกับผิวหนัง ปฏิบัติตามข้อมูลด้านความปลอดภัยของผู้ผลิตวัสดุ

กฎเพิ่มเติมด้านความปลอดภัยสำหรับเลเซอร์

1. ระวังเลเซอร์ อย่าจ้องลำแสงหรือมองไปที่ลำแสงโดยตรงโดยใช้เครื่องมือสำหรับส่อง ผลิตภัณฑ์เลเซอร์ระดับ 2M

ปฏิบัติตามคำแนะนำเหล่านี้

⚠ คำเตือน: อย่าให้ความไม่ระมัดระวังหรือความคุ้นเคยกับผลิตภัณฑ์ (จากการใช้งานซ้ำหลายครั้ง) อยู่เหนือการปฏิบัติตามกฎเกณฑ์ด้านความปลอดภัยในการใช้งานผลิตภัณฑ์อย่างเคร่งครัด การใช้งานอย่างไม่เหมาะสมหรือการไม่ปฏิบัติตามกฎเกณฑ์ด้านความปลอดภัยในคู่มือการใช้งานนี้อาจทำให้ได้รับบาดเจ็บร้ายแรง

คำแนะนำเพื่อความปลอดภัยที่สำคัญสำหรับดัลลิบแบตเตอรี่

1. ก่อนใช้งานดัลลิบแบตเตอรี่ ให้อ่านคำแนะนำและเครื่องหมายเตือนทั้งหมดบน (1) เครื่องชาร์จแบตเตอรี่ (2) แบตเตอรี่ และ (3) ตัวผลิตภัณฑ์ที่ใช้แบตเตอรี่
2. อย่าถอดแยกชิ้นส่วนหรือทำการดัดแปลงดัลลิบแบตเตอรี่ เนื่องจากอาจทำให้เกิดไฟไหม้ ความร้อนที่สูงเกินไป หรือระเบิดได้
3. หากระยะเวลาที่เครื่องทำงานสั้นเกินไป ให้หยุดใช้งานทันที เนื่องจากอาจมีความเสี่ยงที่จะร้อนจัด ไหม้หรือระเบิดได้
4. หากสารละลายอิเล็กโทรไลต์กระเด็นเข้าตา ให้ล้างออกด้วยน้ำเปล่าและรีบไปพบแพทย์ทันที เนื่องจากอาจทำให้ตาบอด
5. ห้ามลัดวงจรดัลลิบแบตเตอรี่:
 - (1) ห้ามแตะขั้วกับวัตถุที่เป็นสื่อนำไฟฟ้าใดๆ
 - (2) หลีกเลี่ยงการเก็บดัลลิบแบตเตอรี่ไว้ในภาชนะร่วมกับวัตถุที่เป็นโลหะ เช่น กรรไกรตัดเล็บ เหรียญ ฯลฯ
 - (3) อย่าให้ดัลลิบแบตเตอรี่ถูกน้ำหรือฝน
6. ห้ามเก็บและใช้เครื่องมือและดัลลิบแบตเตอรี่ไว้ในสถานที่อุณหภูมิสูงถึงหรือเกิน 50 °C (122 °F)
7. ห้ามเผาตลับแบตเตอรี่ทิ้ง แม้ว่าแบตเตอรี่จะเสียหายจนใช้การไม่ได้หรือเสื่อมสภาพแล้ว ดัลลิบแบตเตอรี่อาจระเบิดในกองไฟ

8. อย่าดอ กตะปู ตัด บด ขั้ววง หรือทำดลั บแบตเตอรี หล่นพื้น หรือกระแทกดลั บแบตเตอรีกับวัตถุของแข็ง การกระทำดังกล่าวอาจส่งผลให้เกิดไฟไหม้ ความร้อน ที่สูงเกินไป หรือระเบิดได้
9. ห้ามใช้แบตเตอรีที่เสียหาย
10. แบตเตอรีลิเทียมไอออนที่มีมาให้ นั้นเป็นไปตามข้อกำหนดของ Dangerous Goods Legislation สำหรับประชาชนสงเพื่อการพาณิชย์ เช่น โดยบุคคลที่สาม ตัวแทนขนส่งสินค้า จะต้องตรวจสอบข้อกำหนดพิเศษในด้านการบรรจุหีบห่อหรือการติดป้ายสินค้า ในการเตรียมสินค้าที่จะขนส่ง ให้ปรึกษาผู้เชี่ยวชาญด้านวัตถุอันตราย โปรดตรวจสอบข้อกำหนดในประเทศที่อาจมีรายละเอียดอื่นๆ เพิ่มเติม ให้ติดเทปหรือปิดหน้าสัมผัสและห่อแบตเตอรีในลักษณะที่แบตเตอรีจะไม่เคลื่อนที่ไปมาในหีบห่อ
11. เมื่อกำจัดดลั บแบตเตอรี ให้ถอดดลั บแบตเตอรีออกจากเครื่องมือและกำจัดในสถานที่ที่ปลอดภัย ปฏิบัติตามข้อบังคับในท้องถิ่นที่เกี่ยวกับการกำจัดแบตเตอรี
12. ใช้แบตเตอรีกับผลิตภัณฑ์ที่ระบุโดย Makita เท่านั้น การติดตั้งแบตเตอรีในผลิตภัณฑ์ที่ไม่ใช่ตามที่ระบุอาจทำให้เกิดไฟไหม้ ความร้อนสูง ระเบิด หรืออิเล็กทรอนิกส์รั่วไหลได้
13. หากไม่ใช่เครื่องมือเป็นระยะเวลานาน จะต้องถอดแบตเตอรีออกจากเครื่องมือ
14. ในระหว่างและหลังการใช้งาน ดลั บแบตเตอรีอาจร้อน ซึ่งอาจลวกผิวหรือทำให้ผิวไหม้ที่อุณหภูมิต่ำได้ โปรดระมัดระวังในการจัดการกับแบตเตอรีที่ร้อน
15. อย่าสัมผัสขั้วของเครื่องมือทันทีหลังจากการใช้งาน เนื่องจากอาจมีความร้อนพอที่จะทำให้ผิวไหม้ได้
16. อย่าปล่อยให้เศษวัสดุ ผุ่นผง หรือดินเข้าไปติดอยู่ในขั้ว รู และร่องของดลั บแบตเตอรี เนื่องจากอาจทำให้เกิดความร้อน ไฟไหม้ ระเบิด และทำให้เครื่องมือหรือดลั บแบตเตอรีทำงานผิดปกติ ส่งผลให้โดนลวกหรือเกิดการบาดเจ็บได้
17. หากเครื่องมือไม่รองรับสายไฟแรงดันสูง อย่าใช้ดลั บแบตเตอรีใกล้กับสายไฟแรงดันสูง เนื่องจากเครื่องมือหรือดลั บแบตเตอรีอาจทำงานผิดปกติหรือเสียหายได้
18. เก็บแบตเตอรีให้ห่างจากเด็ก

ปฏิบัติตามคำแนะนำเหล่านี้

⚠️ ข้อควรระวัง: ใช้แบตเตอรีของแท้จาก Makita เท่านั้น การใช้แบตเตอรี Makita ที่ไม่แท้ หรือแบตเตอรีที่ถูกเปลี่ยน อาจทำให้แบตเตอรีระเบิด ก่อให้เกิดเพลิงลุกไหม้ การบาดเจ็บ และความเสียหายได้ และจะทำให้การรับประกันของ Makita สำหรับเครื่องมือและแท่นชาร์จของ Makita เป็นโมฆะด้วย

เคล็ดลับในการรักษาอายุการใช้งานของ แบตเตอรีให้ยาวนานที่สุด

1. ชาร์จดลั บแบตเตอรีก่อนที่ไฟจะหมด หยุดการใช้งานแล้วชาร์จประจุไฟฟ้าใหม่ทุกครั้งเมื่อคุณรู้สึกว่าคุณประณมีกำลังลดลง
2. อย่าชาร์จดลั บแบตเตอรีที่มีไฟเต็มแล้ว การชาร์จประจุไฟฟ้ามากเกินไปอาจจะทำให้อายุการใช้งานของดลั บแบตเตอรีสั้นลง
3. ชาร์จประจุไฟฟ้าดลั บแบตเตอรีในห้องที่มีอุณหภูมิระหว่าง 10 °C - 40 °C ปล่อยให้ดลั บแบตเตอรีเย็นลงก่อนที่จะชาร์จไฟ
4. เมื่อไม่ใช้ดลั บแบตเตอรี ให้ถอดออกจากเครื่องมือหรือเครื่องชาร์จ
5. ชาร์จไฟดลั บแบตเตอรีหากคุณไม่ต้องการใช้เป็นเวลานาน (เกินกว่าหกเดือน)

คำอธิบายชิ้นส่วนต่างๆ

► หมายเลข 2

1	ปุ่มปลดล็อก	2	สวิทช์สั่งงาน	3	กรอบใบเลื่อย	4	สกรูปรับ (สำหรับตำแหน่งจำกัดด้านล่าง)
5	สลักเกลียวปรับ (เพื่อความสามารถการตัดสูงสุด)	6	แขนสต็อปเปอร์	7	ดุกดักฝุ่น	8	สเกลมุมเอียง
9	ที่ป้องกันใบเลื่อย	10	ตัวหนีบแนวตั้ง	11	ฉากนำ	12	ที่ยึด
13	ก้านล็อก (สำหรับฐานหมุน)	14	ด้ามจับ (สำหรับฐานหมุน)	15	สลักเกลียวปรับ (สำหรับฐานหมุน)	16	แผ่นรองตัด
17	ตัวซี (สำหรับองศาการบาก)	18	ฐานหมุน	19	ชุดที่ยึด	20	แท่งกัน
21	ฉากรอง	-	-	-	-	-	-

► หมายเลข 3

22	เสาโลหะ (ด้านบน)	23	สกรูหางแบน (สำหรับล็อกเสาโลหะด้านบน)	24	ประแจหกเหลี่ยม	25	สกรูกันคลาย (สำหรับล็อกที่ยึด)
26	ก้าน (สำหรับปรับองศามุมเอียง)	27	เสาโลหะ (ด้านล่าง)	28	สกรูหางแบน (สำหรับล็อกเสาโลหะด้านล่าง)	-	-

การติดตั้ง

การยึดกับโต๊ะทำงาน

คำเตือน: ตรวจสอบให้แน่ใจว่าเครื่องมือไม่ขยับเขยื้อนบนพื้นผิวรองรับ การเคลื่อนไหวของแท่นเลื่อยตัดต้องสามารถปรับระหว่างทำการตัดอาจทำให้สูญเสียการควบคุมและเกิดการบาดเจ็บร้ายแรงได้

- ยึดฐานเข้ากับพื้นผิวที่มีระดับเท่ากับและมั่นคง ขึ้นไว้ด้วยสลักเกลียวสองตัว ซึ่งช่วยป้องกันไม่ให้เกิดการกระดกและการบาดเจ็บได้
- หมายเลข 4: 1. สลักเกลียว
- ขันสลักเกลียวปรับตามเข็มนาฬิกาเพื่อให้สัมผัสกับพื้นผิวของพื้นเพื่อให้เครื่องมือมั่นคง
- หมายเลข 5: 1. สลักเกลียวปรับ

การติดตั้งที่ยึดและชุดที่ยึด

หมายเหตุ: ในบางประเทศ อาจไม่มีที่ยึดและชุดที่ยึดซึ่งเป็นอุปกรณ์เสริมมาให้ในชุดเครื่องมือ

- ที่ยึดและชุดที่ยึดจะรองรับชิ้นงานในแนวนอน ขันแท่งกันเข้ากับชุดที่ยึดโดยใช้ประแจหกเหลี่ยม
- หมายเลข 6: 1. ที่ยึด 2. ชุดที่ยึด 3. แท่งกัน 4. ประแจหกเหลี่ยม

ติดตั้งที่ยึดและชุดที่ยึดบนด้านทั้งสองตามที่แสดงในภาพ เมื่อทำการติดตั้ง ตรวจสอบให้แน่ใจว่าแท่งกันอยู่ในแนวเดียวกันกับฉากนำเมื่อติดตั้งเข้ากับเครื่องมือ

- หมายเลข 7: 1. ที่ยึด 2. ชุดที่ยึด 3. สกรู จากนั้น ขันสกรูให้แน่นเพื่อยึดที่ยึดและชุดที่ยึด

คำอธิบายการทำงาน

คำเตือน: ตรวจสอบให้แน่ใจว่าได้ปิดสวิตช์เครื่องมือและถอดด้ามแบตเตอรี่ออกก่อนปรับตั้งหรือตรวจสอบการทำงานของเครื่องมือ การไม่ปิดเครื่องมือและถอดด้ามแบตเตอรี่ออกอาจจะเป็นสาเหตุของการบาดเจ็บเนื่องจากการเริ่มทำงานโดยบังเอิญได้

การใส่หรือการถอดด้ามแบตเตอรี่

ข้อควรระวัง: ปิดสวิตช์เครื่องมือก่อนทำการติดตั้งหรือการถอดด้ามแบตเตอรี่ทุกครั้ง

ข้อควรระวัง: ถอดเครื่องมือและด้ามแบตเตอรี่ให้แน่นในระหว่างการติดตั้งหรือการถอดด้ามแบตเตอรี่ หากไม่ถอดเครื่องมือและด้ามแบตเตอรี่ให้แน่น อาจทำให้ด้ามแบตเตอรี่และเครื่องมือสั้นหลุดมือ และทำให้เครื่องมือและด้ามแบตเตอรี่เสียหายหรือได้รับบาดเจ็บได้

► **หมายเลข 8:** 1. ชีลสีแดง 2. ปุ่ม 3. ด้ามแบตเตอรี่

เมื่อต้องการถอดด้ามแบตเตอรี่ ให้เลื่อนปุ่มที่ด้านหน้าของด้ามแล้วดึงออกจากเครื่องมือ

เมื่อต้องการติดตั้งด้ามแบตเตอรี่ ให้จัดแนวสันบนด้ามแบตเตอรี่ให้ตรงกับร่องบนตัวเครื่องมือ แล้วเลื่อนด้ามแบตเตอรี่เข้าที่ ดัดด้ามแบตเตอรี่เข้าจนสุดจนกระทั่งล็อกเข้าที่และได้ยินเสียงคลิก หากยังเห็นชีลสีแดงที่ด้านบนของปุ่ม แสดงว่าด้ามแบตเตอรี่ยังไม่ล็อกเข้าที่

ข้อควรระวัง: ให้ดันด้ามแบตเตอรี่เข้าจนสุดจนไม่เห็นชีลสีแดงอีก ไม่เช่นนั้น ด้ามแบตเตอรี่อาจหลุดออกจากเครื่องมือทำให้คุณหรือคนรอบข้างได้รับบาดเจ็บ

ข้อควรระวัง: อย่าฝืนติดตั้งด้ามแบตเตอรี่โดยใช้แรงมากเกินไป หากด้ามแบตเตอรี่ไม่เลื่อนเข้าไปโดยง่าย แสดงว่าใส่ไม่ถูกต้อง

หมายเหตุ: เครื่องมือจะไม่ทำงานเมื่อใช้ด้ามแบตเตอรี่เพียงก้อนเดียว


ระบบป้องกันเครื่องมือ/แบตเตอรี่

เครื่องมือมีระบบป้องกันเครื่องมือ/แบตเตอรี่ ระบบนี้จะตัดไฟที่ส่งไปยังมอเตอร์โดยอัตโนมัติเพื่อยืดอายุการใช้งานเครื่องมือและแบตเตอรี่ เครื่องมือจะหยุดทำงานระหว่างการใช้งานโดยอัตโนมัติ หากเครื่องมือหรือแบตเตอรี่อยู่ภายใต้สถานการณ์ต่อไปนี้

การป้องกันโอเวอร์โหลต

เมื่อเครื่องมือทำงานในรูปแบบที่อาจดึงพลังงานไฟฟ้าสูงเกินไป เครื่องมือจะหยุดโดยอัตโนมัติโดยไม่มีการแจ้งเตือนใดๆ ในกรณีนี้ ให้ปิดเครื่องมือและหยุดการใช้งานในลักษณะที่อาจทำให้เครื่องมือทำงานหนักเกินไป แล้วเปิดเครื่องมือเพื่อเริ่มทำงานอีกครั้ง

การป้องกันความร้อนสูงเกิน

<input type="checkbox"/> สว่าง	<input type="checkbox"/> กระพริบ
	

เมื่อเครื่องมือมีความร้อนสูงเกินไป เครื่องมือจะหยุดทำงานโดยอัตโนมัติและไฟแสดงสถานะแบตเตอรี่จะกระพริบประมาณ 60 วินาที ในกรณีนี้ ปลดปล่อยเครื่องมือเย็นลงก่อนที่จะเปิดเครื่องมืออีกครั้ง





การป้องกันไฟหมด

เมื่อแบตเตอรี่มีระดับพลังงานต่ำ เครื่องมือจะหยุดโดยอัตโนมัติ หากผลิตภัณฑ์ไม่ทำงานแม้ว่าจะเปิดสวิตช์แล้ว ให้ถอดแบตเตอรี่ออกจากเครื่องมือและชาร์จแบตเตอรี่

การระบุระดับพลังงานแบตเตอรี่ที่เหลืออยู่

► **หมายเลข 9:** 1. ไฟแสดงสถานะแบตเตอรี่ 2. ปุ่มตรวจสอบ

กดปุ่ม ตรวจสอบ เพื่อดูปริมาณแบตเตอรี่ที่เหลือ ไฟแสดงสถานะแบตเตอรี่จะตรงตามแบตเตอรี่แต่ละลูก

สถานะของไฟแสดงสถานะแบตเตอรี่			ความจุแบตเตอรี่ที่เหลืออยู่
<input type="checkbox"/> สว่าง	<input type="checkbox"/> ดับ	<input type="checkbox"/> กระพริบ	
			50% ถึง 100%
			20% ถึง 50%
			0% ถึง 20%
			ชาร์จแบตเตอรี่

การระบุระดับพลังงานแบตเตอรี่ที่เหลืออยู่

สำหรับดัลบีแบตเตอรี่ที่มีตัวแสดงสถานะเท่านั้น

► หมายเลข 10: 1. ไฟแสดงสถานะ 2. ปุ่มตรวจสอบ

กดปุ่ม ตรวจสอบ บนดัลบีแบตเตอรี่เพื่อดูปริมาณแบตเตอรี่ที่เหลือ ไฟแสดงสถานะจะสว่างขึ้นเป็นเวลาสองสามวินาที

ไฟแสดงสถานะ			แบตเตอรี่ที่เหลือ
ไฟสว่าง	ดับ	กะพริบ	
■	□	▧	75% ถึง 100%
■ ■ ■ ■			
■ ■ ■ □			50% ถึง 75%
■ ■ □ □			25% ถึง 50%
■ □ □ □			0% ถึง 25%
▧ □ □ □			ชาร์จไฟแบตเตอรี่
■ ■ □ □	↑ ↓		แบตเตอรี่อาจจะเสีย
□ □ ■ ■			

หมายเหตุ: ขึ้นอยู่กับสภาพการใช้งานและอุณหภูมิโดยรวม การแสดงสถานะอาจจะแตกต่างจากปริมาณแบตเตอรี่จริงเล็กน้อย

หมายเหตุ: ไฟแสดงสถานะดวงแรก (ซ้ายสุด) จะกะพริบเมื่อระบบป้องกันแบตเตอรี่ทำงาน

การเปลี่ยนความเร็วอัตโนมัติ

► หมายเลข 11: 1. ไฟแสดงสถานะโหมด

สถานะของไฟแสดงสถานะโหมด	โหมดการทำงาน
■ ■ ■ □	โหมดความเร็วสูง
■ ■ ■ □	โหมดแรงบิดสูง

เครื่องมือนี้ “โหมดความเร็วสูง” และ “โหมดแรงบิดสูง” โดยจะเปลี่ยนโหมดการทำงานตามปริมาณงานโดยอัตโนมัติเมื่อไฟแสดงสถานะโหมดสว่างขึ้นระหว่างทำงาน เครื่องมือนี้อยู่ในโหมดแรงบิดสูง

เชื่อมต่อเปอร์

⚠ **ข้อควรระวัง:** จับด้ามจับไว้เสมอเมื่อปล่อยเชื่อมต่อเปอร์ มิฉะนั้นด้ามจับอาจตั้งขึ้นและอาจก่อให้เกิดการบาดเจ็บ

วิธีปล่อยเชื่อมต่อเปอร์ ให้ใช้แรงกดดันกับด้ามจับในทิศทางลงเล็กน้อยแล้วจึงดึงเชื่อมต่อเปอร์

► หมายเลข 12: 1. เชื่อมต่อเปอร์

ที่ป้องกันใบเลื่อย

⚠ **คำเตือน:** อย่าทำลายหรือถอดที่ป้องกันใบเลื่อยหรือสปริงที่ติดอยู่กับที่ป้องกัน ใบเลื่อยที่เปิดออกเนื่องจากที่ป้องกันถูกทำลายอาจส่งผลให้เกิดการบาดเจ็บร้ายแรงระหว่างการทำงานได้

⚠ **คำเตือน:** อย่าใช้เครื่องมือหากที่ป้องกันใบเลื่อยหรือสปริงเสียหาย มีตำหนิ หรือถูกถอดออก การใช้งานเครื่องมือที่มีที่ป้องกันที่เสียหาย มีตำหนิ หรือถูกถอดออกอาจส่งผลให้เกิดการบาดเจ็บร้ายแรงได้

⚠ **ข้อควรระวัง:** รักษาที่ป้องกันใบเลื่อยให้อยู่ในสภาพดีอยู่เสมอเพื่อการใช้งานที่ปลอดภัย หยุดใช้งานทันทีหากที่ป้องกันใบเลื่อยมีความผิดปกติ ตรวจสอบให้แน่ใจว่าสปริงสามารถดึงที่ป้องกันกลับได้

► หมายเลข 13: 1. ที่ป้องกันใบเลื่อย

เมื่อลดด้ามจับลง ที่ป้องกันใบเลื่อยจะยกขึ้นโดยอัตโนมัติ ที่ป้องกันใบเลื่อยจะมีสปริง ดังนั้นชิ้นส่วนดังกล่าวจะกลับสู่ตำแหน่งเดิมเมื่อการตัดเสร็จสิ้นและยกด้ามจับขึ้น

การทำความสะอาด

► หมายเลข 14: 1. ที่ป้องกันใบเลื่อย

หากที่ป้องกันใบเลื่อยแบบไฮดรอลิก หรือมีฝุ่นเลื้อยติดอยู่จนไม่สามารถมองเห็นใบเลื่อยได้ง่าย ให้ถอดดัลบีแบตเตอรี่แล้วใช้ผ้าชุบน้ำหมาดๆ เช็ดที่ป้องกันใบเลื่อย อย่าใช้ตัวทำละลายหรือน้ำยาทำความสะอาดที่มีส่วนผสมของไนโตรเลียมกับที่ป้องกันพลาสติกเนื่องจากอาจทำให้ที่ป้องกันเสียหายได้

ในการทำความสะอาด ให้ยกที่ป้องกันใบเลื่อยโดยดูที่ “การติดตั้งหรือการถอดใบเลื่อย”

หลังจากทำความสะอาด ตรวจสอบให้แน่ใจว่าเก็บใบเลื่อยและฝาครอบตรงกลางกลับและขันสลักเกลียวหัวบ็อกซ์หกเหลี่ยม

1. ตรวจสอบให้แน่ใจว่าได้ปิดเครื่องมือและถอดดัลบีแบตเตอรี่แล้ว
2. หมุนสลักเกลียวหัวบ็อกซ์หกเหลี่ยมทวนเข็มนาฬิกาโดยใช้ประแจหกเหลี่ยมที่มีพร้อมยึดฝาครอบตรงกลางไว้

3. ยกที่ป้องกันใบเลื่อยและฝาครอบตรงกลางขึ้น
4. เมื่อทำความสะอาดเสร็จแล้ว เก็บใบเลื่อยและฝาครอบตรงกลางกลับและขันสลักเกลียวหัวมีอกซ์หกเหลี่ยมโดยทำตามขั้นตอนด้านบนแบบย้อนกลับ

คำเตือน: อย่าถอดสปริงที่ยึดที่ป้องกันใบเลื่อยไว้ ถ้าที่ป้องกันเสียหายเมื่อเวลาผ่านไปหรือเมื่อสัมผัสกับแสง UV ให้ติดต่อศูนย์บริการ MAKITA เพื่อเปลี่ยนใหม่ อย่าทำลายหรือถอดที่ป้องกัน

การวางตำแหน่งแผ่นร่องตัด

เครื่องมือนี้ไม่มีร่องตัดในฐานหมุนเพื่อลดการสึกขาดในด้านออกของรอยตัด แผ่นร่องตัดชนิดนี้ได้มีการปรับค่ามาจากโรงงานเพื่อให้ใบเลื่อยไม่สัมผัสกับแผ่นร่องตัด ก่อนใช้ให้ปรับแผ่นร่องตัดดังนี้

1. ตรวจสอบให้แน่ใจว่าถอดสลักแบดเตอร์ จากนั้นจึงคลายสกรูทุกตัว (ทางซ้ายและขวาฝั่งละ 2 ตัว) ที่ยึดแผ่นร่องตัด
- ▶ **หมายเลข 15:** 1. แผ่นร่องตัด 2. สกรู
2. ขันกลับไปถึงระดับที่แผ่นร่องตัดยังสามารถขยับได้ด้วยมืออย่างง่ายดาย
3. ลดด้ามจับลงจนสุดและกดเข็มเข็มสติอปเปอร์เพื่อล็อกด้ามจับในตำแหน่งต่ำสุด
4. คลายสกรูกันคลายสองตัวเมื่อยึดเสาโลด์
- ▶ **หมายเลข 16:** 1. สกรูหางแบน
5. ดึงสลักเข้าหาตัวจนสุด
6. ปรับแผ่นร่องตัดเพื่อให้แผ่นร่องตัดสัมผัสกับด้านข้างของฟันเลื่อย
- ▶ **หมายเลข 17**
- ▶ **หมายเลข 18:** 1. ใบเลื่อย 2. ฟันเลื่อย 3. แผ่นร่องตัด 4. การตัดมุมเฉียงซ้าย 5. การตัดตรง
7. ขันสกรูหน้า (อย่าขันจนแน่น)
8. ดันสลักเข้าหาฉากนำจนสุดและปรับแผ่นร่องตัดเพื่อให้แผ่นร่องตัดสัมผัสกับด้านข้างของฟันเลื่อย
9. ขันสกรูหลัง (อย่าขันจนแน่น)
10. หลังจากปรับแผ่นร่องตัด ให้ปล่อยเข็มสติอปเปอร์และยกด้ามจับขึ้น แล้วขันสกรูทั้งหมดให้แน่น

ข้อสังเกต: หลังจากตั้งค่ามุมเฉียง ตรวจสอบให้แน่ใจว่าแผ่นร่องตัดถูกปรับให้เหมาะสมแล้ว การปรับแผ่นร่องตัดที่ถูกต้องช่วยให้มีการรองรับชิ้นงานที่เหมาะสมและลดการสึกขาดของชิ้นงาน

การรักษาความสามารถตัดสูงสุด

เครื่องมือชนิดนี้ได้มีการปรับค่าจากโรงงานเพื่อให้มีความสามารถการตัดสูงสุดสำหรับใบเลื่อย 190 mm เมื่อติดตั้งใบเลื่อยวงกลมอันใหม่ ให้ตรวจสอบตำแหน่งขีดจำกัดด้านล่างของใบเลื่อยวงกลม และหากจำเป็นให้ปรับดังนี้

1. ถอดสลักแบดเตอร์ แล้วดันสลักเข้าหาฉากนำจนสุดและลดด้ามจับลงจนสุด
- ▶ **หมายเลข 19:** 1. สลักเกลียวปรับ 2. ฉากนำ
2. ใช้ประแจหกเหลี่ยมเพื่อหมุนสลักเกลียวปรับจนกระทั่งใบเลื่อยวงกลมไหลออกมาด้านล่างส่วนที่ติดกันของฉากนำและพื้นผิวด้านบนของฐานหมุนเล็กน้อย
- ▶ **หมายเลข 20**
3. หมุนใบเลื่อยด้วยมือจนกระทั่งมือจับลดต่ำลงจนสุดเพื่อให้แน่ใจว่าใบเลื่อยวงกลมจะไม่สัมผัสกับส่วนใด ๆ ของฐานด้านล่าง ปรับอีกครั้งเล็กน้อย หากจำเป็น

คำเตือน: หลังจากติดตั้งใบเลื่อยวงกลมอันใหม่และนำสลักแบดเตอร์ออกแล้ว ตรวจสอบให้แน่ใจว่าใบเลื่อยวงกลมจะไม่สัมผัสกับส่วนใด ๆ ของฐานด้านล่างเมื่อลดมือจับลงจนสุด หากใบเลื่อยวงกลมสัมผัสกับฐานด้านล่าง อาจทำให้เกิดการตีกลับและส่งผลให้ได้รับบาดเจ็บสาหัสได้

▶ **หมายเลข 21**

แกนสติอปเปอร์

ตำแหน่งจำกัดด้านล่างของใบเลื่อยสามารถปรับได้อย่างง่ายดายด้วยแกนสติอปเปอร์ วิธีปรับ ให้ขยับแกนสติอปเปอร์ในทิศทางตามลูกศรที่แสดงในภาพ หมุนสกรูปรับและกดด้ามจับลงจนสุดเพื่อทดสอบผลลัพธ์

- ▶ **หมายเลข 22:** 1. สกรูปรับ 2. แกนสติอปเปอร์

ฉากรอง

กำหนดเฉพาะประเทศ

ข้อควรระวัง: เมื่อทำการตัดมุมเฉียงซ้าย ให้พลิกฉากรองออกด้านนอก ไม่เช่นนั้น ฉากย่อยอาจสัมผัสกับใบเลื่อยหรือชิ้นส่วนของเครื่องมือ ซึ่งอาจทำให้ผู้ใช้งานได้รับบาดเจ็บร้ายแรง

- ▶ **หมายเลข 23:** 1. ฉากรอง

เครื่องมือนี้มีฉากรอง โดยทั่วไปให้วางตำแหน่งฉากรองไว้ด้านใน อย่างไรก็ตาม เมื่อทำการตัดมุมเฉียงซ้าย ให้พลิกฉากรองออกด้านนอก

การปรับองศาการบาก

- **หมายเลข 24:** 1. ฐานหมุน 2. ก้านลือค 3. สเกลบาก
4. ตัวชี้ 5. ด้ามจับ

1. คลายด้ามจับทวนเข็มนาฬิกา
2. กัดก้านลือคลงและค้างไว้ และปรับมุมฐานหมุน ใช้ตัวชี้และสเกลบากเป็นตัวนำ
3. ชันด้ามจับตามเข็มนาฬิกาให้แน่น

⚠ คำเตือน: หลังจากเปลี่ยนมุมบากแล้ว ให้ยึดฐานหมุนโดยการขันด้ามจับให้แน่น

ข้อสังเกต: เมื่อหมุนฐานหมุน โปรดตรวจสอบให้แน่ใจว่าได้ยกด้ามจับจนสุด

การปรับมุมเอียง

วิธีปรับมุมเอียง ให้คลายก้านที่ด้านหลังของเครื่องมือทวนเข็มนาฬิกา

- **หมายเลข 25:** 1. ก้าน 2. ปุ่มปล่อยเอียงไปเรื่อยๆไปทางซ้ายจนสุด ยึดด้ามจับและเอียงตลับ ใช้สเกลมุมเอียงและตัวชี้เป็นตัวนำ แล้วหมุนก้านตามเข็มนาฬิกาให้แน่นเพื่อยึดแขน

- **หมายเลข 26:** 1. ตัวชี้ 2. สเกลมุมเอียง 3. แขน

วิธีเอียงไปเรื่อยๆไปทางขวา ให้ยึดด้ามจับและเอียงตลับไปทางซ้ายเล็กน้อย และกดปุ่มปล่อย ขณะที่กดปุ่มปล่อย ให้เอียงไปเรื่อยๆไปทางขวา แล้วขันก้านให้แน่น

⚠ คำเตือน: หลังจากเปลี่ยนมุมเอียง ให้ยึดแขนให้แน่นทุกครั้งโดยการหมุนก้านตามเข็มนาฬิกา

ข้อสังเกต: เมื่อเอียงไปเรื่อยๆ โปรดตรวจสอบให้แน่ใจว่าได้ยกด้ามจับจนสุด

ข้อสังเกต: เมื่อเปลี่ยนมุมเอียง โปรดตรวจสอบให้แน่ใจว่าได้วางตำแหน่งแผ่นรองตัดอย่างเหมาะสมดังที่ได้อธิบายในส่วน “การวางตำแหน่งแผ่นรองตัด”

การปรับตำแหน่งก้าน

ถ้าขันก้านให้แน่นไม่ได้เมื่อเวลาผ่านไป ให้เปลี่ยนตำแหน่งของก้าน ก้านสามารถวางตำแหน่งใหม่ได้ทุก 30° คลายและถอดสกรูที่ยึดก้าน ถอดก้านและติดตั้งลงไปใหม่ เพื่อให้ชี้เหนือแนวนอนเล็กน้อย แล้วขันก้านด้วยสกรูให้แน่น

- **หมายเลข 27:** 1. ก้าน 2. สกรู

การทำงานของสวิตช์

⚠ คำเตือน: ก่อนใส่ด้ามจับแบตเตอรี่ลงบนเครื่องมือ ให้ตรวจสอบว่าสวิตช์สั่งงานสามารถทำงานได้อย่างถูกต้อง และกลับไปยังตำแหน่ง “ปิด” เมื่อปล่อย การใช้งานเครื่องมือด้วยสวิตช์ที่ทำงานอย่างไม่ถูกต้องอาจทำให้สูญเสียการควบคุมและเกิดการบาดเจ็บร้ายแรงได้

⚠ คำเตือน: อย่าใช้สวิตช์ที่มีก้านหรือสายเคเบิลที่มีเส้นผ่านศูนย์กลางเล็กกว่า 6.35 mm ก้านหรือสายเคเบิลที่เล็กกว่าอาจไม่ล็อกเครื่องมือในตำแหน่ง Off และอาจเกิดการเปิดใช้งานโดยไม่ตั้งใจและทำให้เกิดการบาดเจ็บร้ายแรงได้

⚠ คำเตือน: ห้ามใช้เครื่องมือโดยไม่มีสวิตช์ที่สามารถใช้งานได้ เครื่องมือใดๆ ที่มีสวิตช์ที่ไม่สามารถใช้งานได้เป็นอันตรายอย่างมากและต้องทำการซ่อมแซมก่อนใช้งานต่อ หรืออาจเกิดการบาดเจ็บร้ายแรง

⚠ คำเตือน: เพื่อความปลอดภัยของคุณ เครื่องมือนี้ มีปุ่มปลดล๊อคติดตั้งมาด้วยซึ่งจะช่วยป้องกันไม่ให้เครื่องมือสตาร์ทโดยไม่ตั้งใจ ห้ามใช้เครื่องมือหากเครื่องมือสามารถทำงานได้เมื่อคุณดึงสวิตช์สั่งงานไม่ได้ กดปุ่มปลดล๊อค สวิตช์ที่ต้องทำการซ่อมแซมอาจทำให้เกิดการใช้งานโดยไม่ตั้งใจและทำให้เกิดการบาดเจ็บร้ายแรงได้ นำเครื่องมือส่งศูนย์บริการ Makita เพื่อการซ่อมแซมก่อนการใช้งาน

⚠ คำเตือน: ห้ามทำลายนปุ่มปลดล๊อคโดยใช้เทปพันหรือวิธีอื่น สวิตช์ที่ปุ่มปลดล๊อคใช้ไม่ได้ อาจทำให้เกิดการใช้งานโดยไม่ตั้งใจและทำให้เกิดการบาดเจ็บร้ายแรงได้

ข้อสังเกต: อย่าดึงสวิตช์สั่งงานแรงๆ โดยไม่ได้กดปุ่มปลดล๊อค การทำเช่นนี้อาจทำให้สวิตช์เสียหายได้

เพื่อป้องกันสวิตช์สั่งงานถูกกดโดยไม่ตั้งใจ จึงมีปุ่มปลดล๊อคติดตั้งมาให้ วิธีเริ่มใช้งานเครื่องมือ ให้กดปุ่มปลดล๊อคแล้วกดสวิตช์สั่งงาน ปล่อยสวิตช์สั่งงานเพื่อหยุดการทำงาน ปุ่มปลดล๊อคสามารถกดจากทางขวาหรือซ้ายก็ได้ สวิตช์สั่งงานมีรูเพื่อใส่กุญแจสายยูเพื่อล็อกเครื่องมือ

- **หมายเลข 28:** 1. ปุ่มปลดล๊อค 2. สวิตช์สั่งงาน 3. รูสำหรับกุญแจสายยู

การประกอบ

คำเตือน: ตรวจสอบให้แน่ใจว่าได้ปิดสวิทช์เครื่องมือและถอดปลั๊กแบตเตอรี่ออกก่อนใช้งานเครื่องมือ การไม่ปิดเครื่องมือและถอดปลั๊กแบตเตอรี่ออกอาจจะเป็นสาเหตุของการบาดเจ็บร้ายแรงได้

การเก็บประแจหกเหลี่ยม

ประแจหกเหลี่ยมจะจัดเก็บดังที่แสดงในภาพ เมื่อจำเป็นต้องใช้ประแจหกเหลี่ยม สามารถดึงออกจากที่ยึดประแจได้ หลังจากใช้ประแจหกเหลี่ยมเสร็จ สามารถเก็บโดยเก็บไว้ที่ยึดประแจตามเดิม

► **หมายเลข 29:** 1. ที่เก็บประแจ 2. ประแจหกเหลี่ยม

การติดตั้งหรือการถอดใบเลื่อย

คำเตือน: ตรวจสอบให้แน่ใจว่าได้ปิดสวิทช์เครื่องมือและถอดปลั๊กแบตเตอรี่ออกก่อนติดตั้งหรือถอดใบเลื่อยออก การที่เครื่องมือเริ่มทำงานโดยบังเอิญอาจทำให้ได้รับบาดเจ็บร้ายแรง

ข้อควรระวัง: ใช้เฉพาะประแจหกเหลี่ยมของ Makita ที่มีมาให้เพื่อถอดหรือใส่ใบเลื่อย หากไม่ทำตามอาจส่งผลให้เกิดการชนสลักเกลียวหัวบ็อกซ์หกเหลี่ยมแน่นเกินไปหรือหลวมเกินไป ซึ่งอาจก่อให้เกิดการบาดเจ็บได้

วิธีถอดใบเลื่อย ให้ทำตามขั้นตอนดังนี้

1. ล็อคด้ามจับในตำแหน่งที่ยกขึ้นโดยกดเข็มสตอปเปอร์

► **หมายเลข 30:** 1. เข็มสตอปเปอร์

2. ใช้ประแจหกเหลี่ยมเพื่อคลายสลักเกลียวหัวบ็อกซ์หกเหลี่ยมที่ยึดฝาครอบตรงกลางโดยหมุนทวนเข็มนาฬิกา แล้วยกที่ป้องกันใบเลื่อยและฝาครอบตรงกลางขึ้น

► **หมายเลข 31:** 1. ฝาครอบตรงกลาง 2. สลักเกลียวหัวบ็อกซ์หกเหลี่ยม 3. ประแจหกเหลี่ยม 4. ที่ป้องกันใบเลื่อย

3. กดล็อกก้านเพื่อล็อกเพลลาและใช้ประแจหกเหลี่ยมเพื่อคลายสลักเกลียวหัวบ็อกซ์หกเหลี่ยมตามเข็มนาฬิกา แล้วถอดสลักเกลียวหัวบ็อกซ์หกเหลี่ยมของแกนหมุน แกนตัวนอกและใบเลื่อย

► **หมายเลข 32:** 1. ล็อคก้าน 2. สลักเกลียวหัวบ็อกซ์หกเหลี่ยม 3. แกนตัวนอก

4. ถัดถอดแกนตัวนอก ให้ติดตั้งลงบนแกนหมุนโดยให้ส่วนยึดใบเลื่อยหันหน้าเข้าหาใบเลื่อย ถ้าแกนติดตั้งอย่างไม่ถูกต้อง แกนจะเสียดสีกับเครื่องจักร

► **หมายเลข 33:** 1. แกนตัวนอก 2. ใบเลื่อย 3. แกนตัวใน 4. สลักเกลียวหัวบ็อกซ์หกเหลี่ยม (ด้านซ้าย) 5. แกนหมุน 6. ส่วนยึดใบเลื่อย

วิธีติดตั้งใบเลื่อย ให้ทำตามขั้นตอนดังนี้

1. ยึดใบเลื่อยอย่างระมัดระวังลงบนแกนตัวใน ตรวจสอบให้แน่ใจว่าทิศทางของลูกศรบนใบเลื่อยตรงกับทิศทางของลูกศรบนกรอบใบเลื่อย

► **หมายเลข 34:** 1. ใบเลื่อย 2. ลูกศร

2. ติดตั้งแกนนอกและสลักเกลียวหัวบ็อกซ์หกเหลี่ยมแล้วใช้ประแจหกเหลี่ยมขันสลักเกลียวหัวบ็อกซ์หกเหลี่ยม (ด้านซ้าย) ของแกนหมุนทวนเข็มนาฬิกาให้แน่นในขณะที่ยึดล็อกก้าน

3. เก็บที่ป้องกันใบเลื่อยและฝาครอบตรงกลางกลับสู่ตำแหน่งเดิม แล้วขันสลักเกลียวหัวบ็อกซ์หกเหลี่ยมของฝาครอบตรงกลางตามเข็มนาฬิกาเพื่อยึดฝาครอบตรงกลาง

4. ปลดด้ามจับจากตำแหน่งที่ยกขึ้นโดยดึงเข็มสตอปเปอร์ นำด้ามจับลงเพื่อให้แน่ใจว่าที่ป้องกันใบเลื่อยด้านล่างนั้นเคลื่อนที่ได้เหมาะสม

5. ตรวจสอบให้แน่ใจว่าได้ปลดล็อกก้านแกนหมุนก่อนทำการเลื่อย

สำหรับเครื่องมือที่มีแกนตัวในเหมาะสำหรับใบเลื่อยที่มีเส้นผ่านศูนย์กลางรูขนาด 15.88 mm

กำหนดเฉพาะประเทศ

ติดตั้งแกนตัวในกับด้านที่รับเข้าไปซึ่งหันหน้าออกด้านนอกบนเพลลาติดตั้ง แล้ววางใบเลื่อย (โดยที่ติดตั้งแล้วหากจำเป็น) แกนตัวนอก และสลักเกลียวหกเหลี่ยม

สำหรับเครื่องมือที่ไม่มีแหวน

► **หมายเลข 35:** 1. แกนตัวนอก 2. ใบเลื่อย 3. แกนตัวใน 4. สลักเกลียวหัวบ็อกซ์หกเหลี่ยม (ด้านซ้าย) 5. แกนหมุน

สำหรับเครื่องมือที่มีแหวน

► **หมายเลข 36:** 1. แกนตัวนอก 2. ใบเลื่อย 3. แกนตัวใน 4. สลักเกลียวหัวบ็อกซ์หกเหลี่ยม (ด้านซ้าย) 5. แหวน 6. แกนหมุน

คำเตือน: ถ้าจำเป็นต้องติดตั้งแหวนลงบนแกนหมุน ตรวจสอบให้แน่ใจว่าแหวนที่ถูกต้องสำหรับรูเพลามีตของใบเลื่อยซึ่งคุณตั้งใจจะใช้นั้นได้ติดตั้งระหว่างแกนตัวในและแกนตัวนอกแล้ว การใช้แหวนรูเพลามีตที่ไม่ถูกต้อง อาจทำให้เกิดการติดตั้งใบเลื่อยที่ไม่ถูกต้อง ทำให้เกิดการเคลื่อนไหวของใบเลื่อยและการสั่นสะเทือนอย่างรุนแรง ทำให้อาจสูญเสียการควบคุมระหว่างการทำงานและเกิดการบาดเจ็บร้ายแรง

สำหรับเครื่องมือที่มีแกนตัวในเหมาะสำหรับใบเลื่อยที่มีเส้นผ่านศูนย์กลางขนาด 20 mm หรือ 15.88 mm

กำหนดเฉพาะประเทศ

แกนตัวในมีเส้นผ่านศูนย์กลางของส่วนยึดใบเลื่อยที่เจาะจงในด้านหนึ่ง และมีเส้นผ่านศูนย์กลางของส่วนยึดใบเลื่อยที่แตกต่างกันในอีกด้านหนึ่ง เลือกด้านที่ถูกต้องที่ส่วนยึดใบเลื่อยจะติดเข้ากับรูใบเลื่อยได้พอดี

- **หมายเลข 37:** 1. แกนตัวนอก 2. ใบเลื่อย 3. แกนตัวใน 4. สลักเกลียวหัวบ็อกซ์หกเหลี่ยม (ด้านซ้าย) 5. แกนหมุน 6. ส่วนยึดใบเลื่อย

ข้อควรระวัง: ตรวจสอบให้แน่ใจว่าส่วนยึดใบเลื่อย "a" บนแกนตัวในที่ถูกวางตำแหน่งอยู่ด้านนอกติดเข้าไปในรูใบเลื่อย "a" ได้พอดี การติดตั้งใบมีดผิดด้านอาจทำให้เกิดการสั่นสะเทือนที่เป็นอันตรายได้

การต่อเครื่องดูดฝุ่น

เมื่อคุณต้องการทำการตัดอย่างสะอาดเรียบร้อย ให้เชื่อมต่อเครื่องมือเข้ากับที่ดูดฝุ่นของ Makita

- **หมายเลข 38**

ถุงดักฝุ่น

อุปกรณ์เสริม

การใช้ถุงดักฝุ่นทำให้การทำงานตัดมีความสะอาดมากขึ้น และเก็บกวาดฝุ่นได้ง่ายดายยิ่งขึ้น

วิธีการติดตั้งถุงดักฝุ่น ให้ติดเข้ากับทอระบายฝุ่น

วิธีติดตั้งให้จัดส่วนปลายบนสุดของสายรัดให้ตรงกับเครื่องหมายสามเหลี่ยมบนถุงดักฝุ่น

เมื่อถุงดักฝุ่นเต็มถึงครึ่งถุงแล้ว ให้ถอดถุงดักฝุ่นออกจากเครื่องมือแล้วดึงสายรัดออก ทั้งขยะในถุงดักฝุ่นออกให้หมดเศษเบาๆ เพื่อให้เศษขยะที่อาจติดค้างอยู่ในถุงหลุดออกป้องกันไม่ให้เกิดการสะสมในครั้งต่อไป

- **หมายเลข 39:** 1. ถุงดักฝุ่น 2. ทอดักฝุ่น 3. สายรัด

การยึดชิ้นงาน

คำเตือน: เป็นสิ่งที่สำคัญเป็นอย่างยิ่งที่ต้องใช้ตัวหนีบในประเภทที่เหมาะสมในการยึดชิ้นงานให้แน่น การไม่ปฏิบัติตามอาจทำให้เกิดการบาดเจ็บร้ายแรงและก่อให้เกิดความเสียหายต่อเครื่องมือและ/หรือชิ้นงาน

คำเตือน: เมื่อทำการตัดชิ้นงานที่ยาวกว่าฐานรองรับของเลื่อย ให้รองรับความยาวทั้งหมดของวัสดุที่เลื่อยออกไปนอกฐานรองรับให้มีความสูงเท่ากัน เพื่อให้วัสดุอยู่ในระดับเดียวกัน ตัวรองรับชิ้นงานที่เหมาะสมจะช่วยหลีกเลี่ยงไม่ให้ใบเลื่อยบีบแน่นและติดกลับซึ่งอาจทำให้เกิดการบาดเจ็บร้ายแรงได้ อย่าพึ่งตัวหนีบแนวตั้งและ/หรือตัวหนีบนอนนเพียงอย่างเดียวในการยึดชิ้นงาน วัสดุที่บางอาจแอ่นลง รองรับชิ้นงานตลอดความยาวทั้งหมดเพื่อหลีกเลี่ยงไม่ให้ใบเลื่อยบีบแน่นและติดกลับ

- **หมายเลข 40:** 1. ตัวรองรับ 2. ฐานหมุน

ตัวหนีบแนวตั้ง

คำเตือน: ต้องยึดชิ้นงานเข้ากับฐานหมุนและฉากนำให้แน่นด้วยตัวหนีบในระหว่างการทำงานทุกครั้ง มิฉะนั้นวัสดุอาจเคลื่อนไหวระหว่างการตัด ก่อให้เกิดความเสียหายต่อใบเลื่อย และถูกเหวี่ยงซึ่งอาจทำให้สูญเสียการควบคุมและเกิดการบาดเจ็บร้ายแรงได้

ติดตั้งตัวหนีบแนวตั้งที่ด้านซ้ายหรือด้านขวาของฉากนำหรือชุดที่ยึด ใส่แท่งหนีบเข้าไปในรูของฉากนำหรือชุดที่ยึดและขันสกรูตัวล่างให้แน่นเพื่อยึดแท่งหนีบ

- **หมายเลข 41:** 1. แขนหนีบ 2. แท่งหนีบ 3. ฉากนำ 4. ที่ยึด 5. ชุดที่ยึด 6. ปุ่มหมุนตัวหนีบ 7. สกรูตัวล่าง 8. สกรูตัวบน

จัดตำแหน่งแขนหนีบตามความหนาและรูปทรงของชิ้นงานและยึดแขนหนีบโดยการขันสกรูตัวบนให้แน่น หากสกรูตัวบนสัมผัสกับฉากนำ ให้ติดตั้งสกรูตัวบนที่ด้านตรงข้ามของแขนหนีบ ตรวจสอบให้แน่ใจว่าไม่มีส่วนของเครื่องมือสัมผัสกับตัวหนีบเมื่อนำด้ามจับลงจนสุดและดึงหรือดันด้ามจับจนสุด หากมีส่วนใดสัมผัสกับตัวหนีบ ให้เปลี่ยนตำแหน่งของตัวหนีบใหม่

กดชิ้นงานให้แน่นกับฉากนำและฐานหมุน จัดตำแหน่งของชิ้นงานที่ตำแหน่งการตัดที่ต้องการและยึดให้แน่นโดยขันปุ่มหมุนตัวหนีบให้แน่น

ตัวหนีบแวนอน

อุปกรณ์เสริม

คำเตือน: จับชิ้นงานเมื่อตัวบ่งชี้อยู่ในตำแหน่งสูงสุด หากไม่ทำตามอาจส่งผลให้ชิ้นงานถูกยึดไม่แน่นพอ นี้อาจทำให้ชิ้นงานถูกเหวี่ยง ก่อให้เกิดความเสียหายต่อไปเรื่อยหรือสูญเสียการควบคุม ซึ่งอาจก่อให้เกิดการบาดเจ็บได้

- **หมายเลข 42:** 1. ปุ่มหมุนตัวหนีบ 2. ตัวบ่งชี้ 3. ก้านหนีบ 4. ฐาน

ตัวหนีบแวนอนสามารถติดตั้งทางด้านซ้ายของฐานได้ เมื่อหมุนปุ่มหมุนตัวหนีบทวนเข็มนาฬิกา สกรูจะถูกคลายและก้านหนีบสามารถขยับเข้าและออกได้อย่างรวดเร็ว เมื่อหมุนปุ่มหมุนตัวหนีบตามเข็มนาฬิกา สกรูจะยังถูกยึดไว้ วิธีจับชิ้นงาน ให้หมุนปุ่มหมุนตัวหนีบเบาๆ ตามเข็มนาฬิกาจนกว่าตัวบ่งชี้จะถึงตำแหน่งสูงสุด แล้วจึงยึดให้แน่น ถ้าปุ่มหมุนตัวหนีบถูกดันเข้าไปหรือดึงออกมาโดยไม่หมุนตามเข็มนาฬิกา ตัวบ่งชี้อาจหยุดอยู่ที่มุมหนึ่ง ในกรณีนี้ ให้หมุนปุ่มหมุนตัวหนีบกลับทวนเข็มนาฬิกาจนกว่าสกรูจะคลายออกแล้วหมุนใหม่อีกครั้งเบาๆ ตามเข็มนาฬิกา ความจุสูงสุดของตัวหนีบแวนอนคือกว้าง 120 mm

ที่ยึดและชุดที่ยึด

อุปกรณ์เสริม

ข้อควรระวัง: สำหรับอุปกรณ์ที่มีที่ยึดและชุดที่ยึดติดตั้งมาให้บนอุปกรณ์มาตรฐาน การใช้งานประเภทนี้ไม่ได้รับอนุญาตเนื่องจากข้อบังคับในประเทศ

คำเตือน: รองรับชิ้นงานที่ยาวเสมอเพื่อให้อยู่ในระดับเดียวกับกับพื้นผิวด้านบนสุดของฐานหมุน เพื่อให้ทำการตัดได้อย่างแม่นยำและป้องกันอันตรายจากการสูญเสียการควบคุมเครื่องมือ ตัวรองรับชิ้นงานที่เหมาะสมจะช่วยให้หลีกเลี่ยงไม่ให้ใบเลื่อยบิ่นแน่นและติดกลับซึ่งอาจทำให้เกิดการบาดเจ็บร้ายแรงได้

ที่ยึดและชุดที่ยึด (อุปกรณ์เสริม) สามารถติดตั้งบนด้านใดก็ได้ตามความสะดวกในการรองรับชิ้นงานในแวนอนติดตั้งลงบนด้านข้างของเครื่องมือ แล้วขันสกรูให้แน่นเพื่อยึดไว้

- **หมายเลข 43:** 1. ที่ยึด 2. ชุดที่ยึด

เมื่อทำการตัดชิ้นงานที่ยาว ให้ใช้ชุดที่ยึด-แท่งโลหะ (อุปกรณ์เสริม) ซึ่งประกอบด้วยชุดที่ยึดสองชุดและแท่งโลหะเบอร์ 12 สองอัน

- **หมายเลข 44:** 1. ชุดที่ยึด 2. แท่งโลหะเบอร์ 12

การใช้งาน

คำเตือน: ตรวจสอบให้แน่ใจว่าใบเลื่อยนั้นไม่ได้สัมผัสกับชิ้นงาน ฯลฯ ก่อนที่จะเปิดสวิตช์ การเปิดเครื่องมือโดยที่ใบเลื่อยสัมผัสกับชิ้นงานอาจก่อให้เกิดการติดกลับและการบาดเจ็บร้ายแรงได้

คำเตือน: หลังทำการตัดเสร็จแล้ว อย่ายกใบเลื่อยขึ้นจนกว่าจะหยุดสนิทเสียก่อน การยกใบเลื่อยที่กำลังหมุนอยู่อาจก่อให้เกิดการบาดเจ็บร้ายแรงและสร้างความเสียหายต่อชิ้นงานได้

คำเตือน: อย่าแตะสกรูกันคลายที่ยึดเสาโลดระหว่างที่ใบเลื่อยกำลังหมุน มิฉะนั้น เครื่องมืออาจสูญเสียการควบคุมและส่งผลให้เกิดการบาดเจ็บได้

ข้อควรระวัง: อย่าปล่อยการควบคุมหัวเลื่อยจากตำแหน่งนอนลงจนสุด หัวเลื่อยที่หลุดการควบคุมอาจตีถูกคุณและทำให้เกิดการบาดเจ็บได้

ข้อสังเกต: ก่อนการใช้งาน โปรดตรวจสอบให้แน่ใจว่าได้ปล่อยตามจับจากตำแหน่งต่ำสุดโดยการดึงเข็มสติบเปอร์

ข้อสังเกต: อย่าใช้แรงกดมากเกินไประหว่างที่ตัด การใช้แรงกดมากเกินไปอาจทำให้มอเตอร์ทำงานหนักเกินไปและ/หรือทำให้ประสิทธิภาพการตัดลดลง กดตามจับลงโดยใช้แรงกดตามที่จำเป็นให้สามารถทำการตัดได้อย่างราบรื่นโดยไม่ทำให้ความเร็วใบเลื่อยลดลง

ข้อสังเกต: กดตามจับลงเบาๆ เพื่อทำการตัด หากใช้แรงกดหรือเพิ่มแรงกดขึ้น ใบเลื่อยอาจสั่นและทิ้งร่องรอย (รอยเลื่อย) บนชิ้นงานและความแม่นยำในการตัดอาจลดลง

ข้อสังเกต: ระหว่างทำการตัดเสาโลด ให้กดกลับเข้าหาก่อนนำเบาๆ โดยไม่หยุด ถ้าการเคลื่อนไหวของดัลป์หยุดลงระหว่างการตัด อาจทำให้ชิ้นงานมีตำหนิและความแม่นยำของการตัดอาจมีคุณภาพลดลง

การตัดแบบกด (การตัดชิ้นงานขนาดเล็ก)

คำเตือน: ชันสกรูกันคลายสองตัวที่ยึดเสาโลดตามเข็มนาฬิกาเพื่อให้ดัลป์ไม่เคลื่อนที่ระหว่างการทำการชันสกรูล็อกไม่แน่นพออาจทำให้เกิดการติดกลับซึ่งจะส่งผลให้เกิดการบาดเจ็บร้ายแรงได้

- **หมายเลข 45:** 1. สกรูหางแบน 2. ชุดที่ยึด

ชิ้นงานที่มีความสูงถึง 52 mm และความกว้าง 97 mm สามารถตัดได้ในลักษณะต่อไปนี้

1. กัดกลับเข้าหาผากนํ้าจนสุดและขึ้นสกรูกันคลายสองตัวซึ่งยึดเสาใส่ตามเข็มนาฬิกาเพื่อยึดกลับ
2. ยึดชิ้นงานด้วยตัวหนีบประเภทที่เหมาะสม
3. เปิดเครื่องมือโดยไม่ให้ใบเลื่อยสัมผัสกับชิ้นงานแล้วรอให้ใบเลื่อยมีความเร็วสูงสุดก่อนที่จะลดตามจับลง
4. ค่อยๆ ลดตามจับลงไปยังตำแหน่งต่ำสุดเพื่อตัดชิ้นงาน
5. เมื่อตัดเสร็จแล้ว ให้เปิดเครื่องมือแล้วรอนกระแทงใบเลื่อยหยุดสนิทก่อนที่จะยกใบเลื่อยกลับสู่ตำแหน่งสูงสุด

การตัดสไลด์ (ตัน) (การตัดชิ้นงานที่มีขนาดกว้าง)

คำเตือน: เมื่อทำการตัดสไลด์ ชิ้นแรกให้ตั้งกลับเข้าหาตัวจนสุดและกดตามจับลงจนสุด แล้วกดกลับเข้าหาผากนํ้า ห้ามเริ่มทำการตัดโดยที่ยังไม่ได้ตั้งกลับเข้าหาตัวจนสุด ถ้าคุณทำการตัดสไลด์โดยที่ยังไม่ได้ตั้งกลับเข้าหาตัวจนสุด อาจเกิดการตีกลับขึ้นอย่างคาดไม่ถึง และการบาดเจ็บร้ายแรง

คำเตือน: ห้ามพยายามทำการตัดสไลด์โดยตั้งกลับเข้าหาตัว การตั้งกลับเข้าหาตัวขณะตัดอาจทำให้เกิดการตีกลับอย่างคาดไม่ถึง ส่งผลให้เกิดการบาดเจ็บร้ายแรงได้

คำเตือน: ห้ามทำการตัดสไลด์โดยที่ตามจับถืออยู่ในตำแหน่งต่ำสุด

คำเตือน: ห้ามคลายปุ่มหมุนที่ยึดกลับไว้ระหว่างที่ใบเลื่อยกำลังหมุน การตั้งกลับที่คลายออกขณะตัดอาจทำให้เกิดการตีกลับอย่างคาดไม่ถึง ส่งผลให้เกิดการบาดเจ็บร้ายแรงได้

► **หมายเลข 46:** 1. สกรูหางแบน 2. ชุดที่ยึด

1. คลายสกรูกันคลายสองตัวที่ยึดเสาใส่ตามเข็มนาฬิกาเพื่อให้ดัลบสามารถสไลด์ได้อย่างอิสระ
2. ยึดชิ้นงานด้วยตัวหนีบประเภทที่เหมาะสม
3. ตั้งดัลบเข้าหาตัวจนสุด
4. เปิดเครื่องมือโดยไม่ให้ใบเลื่อยสัมผัสกับชิ้นงานแล้วรอให้ใบเลื่อยมีความเร็วสูงสุด
5. กดตามจับลงและดันดัลบเข้าหาผากนํ้าและดันผ่านชิ้นงานไป
6. เมื่อตัดเสร็จแล้ว ให้เปิดเครื่องมือแล้วรอนกระแทงใบเลื่อยหยุดสนิทก่อนที่จะยกใบเลื่อยกลับสู่ตำแหน่งสูงสุด

การตัดบาก

โปรดดูที่ส่วนสำหรับการปรับองศามุมบาก

การตัดมุมเอียง

คำเตือน: หลังจากตั้งค่าใบเลื่อยสำหรับการตัดมุมเอียงแล้ว ก่อนใช้งานเครื่องมือ โปรดตรวจสอบให้แน่ใจว่าดัลบและใบเลื่อยจะเคลื่อนไหวได้อย่างอิสระตลอดขอบเขตที่ต้องการตัด การขัดจังหวะการเคลื่อนไหวของดัลบหรือใบเลื่อยระหว่างการตัดอาจทำให้เกิดการตีกลับและการบาดเจ็บร้ายแรง

คำเตือน: ระหว่างที่ทำการตัดมุมเอียง ให้มืออยู่ห่างจากแนวของใบเลื่อย มุมของใบเลื่อยอาจทำให้ผู้ใช้งานสัมผัสกับแนวของใบเลื่อยที่แท้จริงระหว่างการตัด และการสัมผัสกับใบเลื่อยจะทำให้เกิดการบาดเจ็บร้ายแรงได้

คำเตือน: ไม่ควรยกใบเลื่อยจนกว่าใบเลื่อยจะหยุดสนิท ระหว่างการตัดมุมเอียง ชิ้นส่วนที่ถูกตัดออกมาอาจติดอยู่บนใบเลื่อย ถ้าใบเลื่อยถูกยกขึ้นระหว่างที่กำลังหมุน ชิ้นส่วนที่ถูกตัดออกมาอาจถูกดีดออกมาจากใบเลื่อย ทำให้วัสดุแตกเป็นชิ้นๆ ซึ่งอาจก่อให้เกิดการบาดเจ็บร้ายแรงได้

ข้อควรระวัง: (สำหรับเครื่องมือที่มีฉากรองเท่านั้น) ตั้งฉากรองให้อยู่ด้านนอกเสมอในการทำการตัดมุมเอียงซ้ำ

► **หมายเลข 47:** 1. ชุดที่ยึด

1. คลายก้านแล้วเอียงใบเลื่อยเพื่อปรับมุมเอียง (โปรดดูที่ส่วนก่อนหน้า "การปรับมุมเอียง") โปรดตรวจสอบให้แน่ใจว่าได้ขึ้นคานให้แน่นเพื่อยึดมุมเอียงที่ต้องการอย่างปลอดภัย
2. ยึดชิ้นงานด้วยตัวหนีบ
3. ตั้งดัลบเข้าหาตัวจนสุด
4. เปิดเครื่องมือโดยไม่ให้ใบเลื่อยสัมผัสกับชิ้นงานแล้วรอให้ใบเลื่อยมีความเร็วสูงสุด
5. ลดตามจับลงเบาๆ จนถึงตำแหน่งต่ำสุดระหว่างที่ใช้แรงกดขนานกับใบเลื่อยและดันดัลบเข้าหาผากนํ้าเพื่อตัดชิ้นงาน
6. เมื่อตัดเสร็จแล้ว ให้เปิดเครื่องมือแล้วรอนกระแทงใบเลื่อยหยุดสนิทก่อนที่จะยกใบเลื่อยกลับสู่ตำแหน่งสูงสุด

ข้อสังเกต: เมื่อลดตามจับลง ให้ใช้แรงกดขนานกับใบเลื่อย ถ้าใช้แรงในแนวตั้งฉากกับฐานหมุน หรือถ้าทิศทางของแรงกดเปลี่ยนแปลงระหว่างการตัด ความแม่นยำในการตัดจะเสียไป

การตัดแบบผสม

การตัดแบบผสมคือกระบวนการเพิ่มมุมเอียงพร้อมๆ กับตัดชิ้นงานแบบฉาก สามารถทำการตัดแบบผสมได้ด้วยองศาตามที่แสดงในตาราง

องศาการบาก	องศามุมเอียง
ซ้ายและขวา 45°	ซ้าย 0° - 45°
ขวา 50°	ซ้าย 0° - 40°
ขวา 55°	ซ้าย 0° - 30°
ขวา 57°	ซ้าย 0° - 25°

เมื่อทำการตัดแบบผสม โปรดดูที่คำอธิบายเกี่ยวกับ “การตัดแบบกด”, “การตัดสไลด์”, “การตัดฉาก” และ “การตัดมุมเอียง”

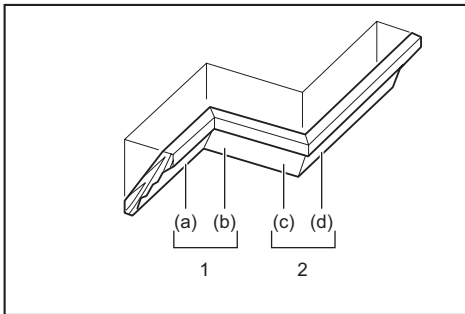
การตัดยอดและส่วนเว้าของแบบพิมพ์

ยอดและการพิมพ์ส่วนเว้าสามารถตัดบนแท่นเลื่อยตัดองศา โดยให้แบบพิมพ์วางราบบนฐานหมุน

แบบพิมพ์ยอดโดยทั่วไปมีสองประเภทและแบบพิมพ์เว้าหนึ่งประเภท ได้แก่ แบบพิมพ์ยอดมุมก้ำก่าง 52/38°, แบบพิมพ์ยอดมุมก้ำก่าง 45° และแบบพิมพ์ส่วนเว้ามุมก้ำก่าง 45°

- **หมายเลข 48:**
1. แบบพิมพ์ยอดมุมก้ำก่าง 52/38°
 2. แบบพิมพ์ยอดมุมก้ำก่าง 45°
 3. แบบพิมพ์ส่วนเว้ามุมก้ำก่าง 45°

มีข้อต่อแบบพิมพ์ยอดและส่วนเว้าซึ่งทำขึ้นเพื่อให้เข้ากับมุม 90° “ด้านใน” ((a) และ (b) ในรูป) และมุม 90° “ด้านนอก” ((c) และ (d) ในรูป)



1. มุมด้านใน 2. มุมด้านนอก

- **หมายเลข 49:**
1. มุมด้านใน 2. มุมด้านนอก

การวัดขนาด

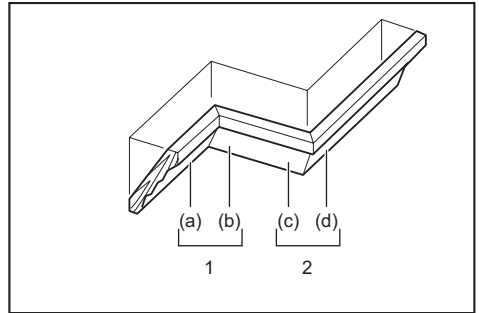
วัดขนาดความกว้างก้ำก่าง และปรับความกว้างของชิ้นงานตามนั้น โปรดตรวจสอบให้แน่ใจว่าความกว้างของขอบสัมผัสของก้ำก่างของชิ้นงานเหมือนกับความยาวของก้ำก่าง

- **หมายเลข 50:**
1. ชิ้นงาน 2. ความกว้างของก้ำก่าง 3. ความกว้างของชิ้นงาน 4. ขอบสัมผัสของก้ำก่าง

ใช้ชิ้นส่วนหลายๆ ชิ้นในการตัดทดสอบเพื่อตรวจสอบมุมใบเลื่อยเสมอ

เมื่อทำการตัดยอดและส่วนเว้าของแบบพิมพ์ ให้ตั้งค่ามุมเอียงและองศาการบากที่ตั้งแสดงไว้ในตาราง (A) และวางตำแหน่งแบบพิมพ์บนพื้นผิวด้านบนของฐานเลื่อยตามรูปในตาราง (B)

ในกรณีของการตัดมุมเอียงซ้าย



1. มุมด้านใน 2. มุมด้านนอก

ตาราง (A)

—	ตำแหน่งแบบพิมพ์ในรูป	องศามุมเอียง		องศาการบาก	
		ประเภท 52/38°	ประเภท 45°	ประเภท 52/38°	ประเภท 45°
สำหรับมุมด้านใน	(a)	ซ้าย 33.9°	ซ้าย 30°	ขวา 31.6°	ขวา 35.3°
	(b)			ซ้าย 31.6°	ซ้าย 35.3°
สำหรับมุมด้านนอก	(c)			ขวา 31.6°	ขวา 35.3°
	(d)				

ตาราง (B)

—	ตำแหน่งแบบ พิมพ์ในรูป	ขอบแบบ พิมพ์กับ ฉากนำ	ชั้นที่เสร็จแล้ว
สำหรับมุม ด้านใน	(a)	ขอบสัมผัส เพดานควรวัด กับฉากนำ	ชั้นที่เสร็จแล้ว จะอยู่ทางด้าน ซ้ายของใบ เลื่อย
	(b)	ขอบสัมผัส	
สำหรับมุม ด้านนอก	(c)	กำแพงควรวัด ติดกับฉากนำ	ชั้นที่เสร็จแล้ว จะอยู่ทางด้าน ขวาของใบ เลื่อย
	(d)	ขอบสัมผัส เพดานควรวัด กับฉากนำ	

ตัวอย่าง:

ในกรณีที่ตัดแบบพิมพ์ยอดประเกท 52/38° สำหรับตำแหน่ง

(a) ในรูปด้านบน

- เอียงและยึดการตั้งค้ำมุมเอียงไว้ที่ 33.9° ซ้าย
- ปรับและยึดการตั้งค้ำองศาการบากไว้ที่ 31.6° ขวา
- วางแบบพิมพ์ยอดโดยให้พื้นผิวด้านหลังที่กว้าง (ที่
ซ่อนไว้) คว่ำไว้กับฐานหมุนโดยให้ขอบสัมผัสเพดาน
ติดกับฉากนำบนเลื่อย
- ชั้นที่เสร็จแล้วจะนำไปใช้จะอยู่ทางด้านซ้ายของใบ
เลื่อยหลังจากทำการตัดแล้ว

การตัดอลูมิเนียมขึ้นรูป

- **หมายเลข 51:** 1. ตัวหนีบ 2. บล็อกตัวรอง 3. ฉากนำ
4. อลูมิเนียมขึ้นรูป 5. บล็อกตัวรอง

เมื่อทำการยึดอลูมิเนียมขึ้นรูป โปรดใช้บล็อกตัวรองหรือ
เศษวัสดุเพื่อป้องกันการบิดรูปของอลูมิเนียม ใช้สารหล่อลื่น
การตัดเมื่อตัดอลูมิเนียมขึ้นรูปเพื่อป้องกันการสะสมของอลู
มิเนียมบนใบเลื่อย

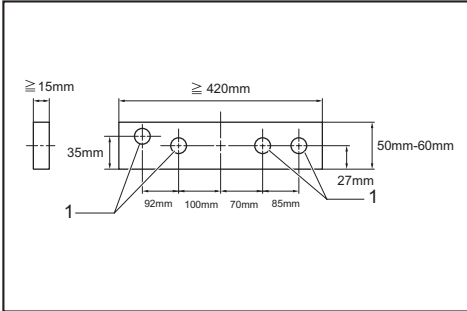
⚠ ข้อควรระวัง: อย่าพยายามตัดอลูมิเนียมขึ้นรูปที่มี
ความหนาหรือมีรูปทรงกลม อลูมิเนียมขึ้นรูปอาจจะหลุด
ในระหว่างการทำงานและจะไม่สามารถยึดอลูมิเนียมขึ้น
รูปทรงกลมเข้ากับเครื่องมือได้

ไม้ฝา

⚠ คำเตือน: ใช้สกรูเพื่อยึดไม้ฝากับฉากนำ สกรูควรวัด
ตั้งเพื่อให้หัวสกรูอยู่ต่ำกว่าพื้นผิวของไม้ฝา เพื่อให้ไม้ขัด
ขวางการวางตำแหน่งวัสดุที่จะตัด การจัดแนววัสดุที่จะ
ตัดที่ไม่ถูกต้องสามารถทำให้เกิดการเคลื่อนไหวที่ไม่คาด
คิดระหว่างทำการตัด ซึ่งอาจทำให้สูญเสียการควบคุมและ
เกิดการบาดเจ็บร้ายแรงได้

⚠ ข้อควรระวัง: ใช้ไม้ตรงที่มีความหนาเท่ากับไม้ฝา

ใช้ไม้ฝาช่วยในการทำการตัดชิ้นงานแบบไม่แตกเป็นเศษเล็ก
เศษน้อย ยึดไม้ฝาเข้ากับฉากนำโดยใช้รูในฉากนำ
ดูรูปเพื่อดูส่วนขนาดต่างๆ สำหรับไม้ฝาที่ต้องการ



1. รู

ข้อสังเกต: เมื่อตัดไม้ฝาแล้ว อย่าหมุนฐานหมุนที่ตาม
จับอยู่ต่ำ ใบเลื่อยและ/หรือไม้ฝาจะเสียหายได้

การตัดด้วยความยาวซ้ำๆ

⚠ ข้อควรระวัง: สำหรับอุปกรณ์ที่มีที่ยึดและชุดที่ยึดติด
ตั้งมาให้ เป็นอุปกรณ์มาตรฐาน การใช้งานประเภทนี้ไม่ได้
รับรองคุณภาพเนื่องจากข้อบังคับในประเทศ

เมื่อต้องตัดวัสดุหลายๆ ชิ้นให้มีความยาวเท่ากัน ตั้งแต่
220 mm จนถึง 385 mm ให้ใช้แผ่นตั้ง (อุปกรณ์เสริม) ติด
ตั้งแผ่นตั้งลงบนที่ยึด (อุปกรณ์เสริม) ตั้งที่แสดงในรูป
► **หมายเลข 52:** 1. แผ่นตั้ง 2. ที่ยึด 3. สกรู

จัดแนวเส้นตัดของชิ้นงานของคุณโดยให้ด้านซ้ายหรือขวา
ก็ได้ของร่องอยู่ในแผ่นร่องตัด และระหว่างที่ยึดชิ้นงาน ให้
ขยับแผ่นตั้งติดกับปลายชิ้นงาน แล้วยึดแผ่นตั้งด้วยสกรู
เมื่อไม่ใช้แผ่นตั้ง ให้คลายสกรูและหมุนแผ่นตั้งออกไปทาง
อื่น

หมายเหตุ: การใช้ชุดที่ยึด-แท่งโลหะ (อุปกรณ์เสริม)
จะช่วยให้การตัดด้วยความยาวซ้ำๆ สูงสุดถึงประมาณ
2,200 mm

การตัดร่อง

คำเตือน: อย่าพยายามทำการตัดประเภทนี้โดยใช้ใบเลื่อยประเภทที่กว้างขึ้นหรือใบเลื่อยคาโด การพยายามตัดร่องด้วยใบเลื่อยที่กว้างขึ้นหรือใบเลื่อยคาโดอาจทำให้เกิดผลการตัดที่ไม่คาดคิดและการติดกลับซึ่งอาจทำให้เกิดการบาดเจ็บร้ายแรงได้

คำเตือน: โปรดตรวจสอบให้แน่ใจว่าเก็บแขนสตอปเปอร์กลับตำแหน่งเดิมเมื่อทำอย่างอื่นนอกเหนือจากการตัดร่อง การพยายามตัดด้วยแขนสตอปเปอร์ในตำแหน่งที่ไม่ถูกต้องอาจทำให้เกิดผลการตัดที่ไม่คาดคิดและการติดกลับซึ่งอาจทำให้เกิดการบาดเจ็บร้ายแรงได้

สำหรับการตัดประเภทคาโด ให้ทำดังนี้

1. ปรับตำแหน่งขีดจำกัดด้านล่างของใบเลื่อยวงกลมโดยใช้สกรูปรับและแขนสตอปเปอร์เพื่อจำกัดความลึกการตัดของใบเลื่อยวงกลม โปรดดูที่ส่วนแขนสตอปเปอร์
 2. หลังจากปรับตำแหน่งขีดจำกัดด้านล่างของใบเลื่อยวงกลมแล้ว ให้ตัดขนานกับร่องทางด้านกว้างของชิ้นงานโดยใช้การตัดสไลด์ (ต้น)
- ▶ **หมายเลข 53:** 1. ตัดร่องด้วยใบเลื่อย
3. นำวัสดุของชิ้นงานที่อยู่ระหว่างร่องออกด้วยสิ่ว

การยกเครื่องมือ

คำเตือน: เช็มสตอปเปอร์สำหรับใช้ในการยกและเก็บเท่านั้นและห้ามใช้ในการตัดใดๆ ทั้งสิ้น การใช้เช็มสตอปเปอร์สำหรับการตัดอาจทำให้ใบเลื่อยเกิดการเคลื่อนไหวที่ไม่คาดคิด ทำให้เกิดการติดกลับและการบาดเจ็บร้ายแรง

ข้อควรระวัง: ยึดส่วนที่เคลื่อนที่ได้ทั้งหมดก่อนยกเครื่องมือ ถ้าส่วนต่างๆ ของเครื่องมือเคลื่อนที่หรือสไลด์เมื่อถูกยก ก็อาจเกิดการสูญเสียการควบคุมหรือสมดุลทำให้เกิดการบาดเจ็บได้

▶ **หมายเลข 54**

1. ถอดดัลล์แบบเตอรั
2. ยึดใบเลื่อยที่มุมเอียง 0° และยึดฐานหมุนที่ตำแหน่งองศาการบากขวา
3. ยึดเสาสไลด์เพื่อให้เสาสไลด์ด้านล่างถูกล็อกอยู่ในตำแหน่งที่ดัลล์ถูกดึงออกมาหาผู้ใช้งานเต็มที่ และเสาด้านบนถูกล็อกอยู่ในตำแหน่งที่ดัลล์ถูกดันไปข้างหน้าเต็มที่เข้าหาฉากนำ
4. ลดด้ามจับลงจนสุดแล้วล็อกในตำแหน่งต่ำสุดโดยกดเช็มสตอปเปอร์

5. ยกเครื่องมือโดยยกฐานเครื่องมือทั้งสองด้าน ถ้าคุณถอดที่ยึด ดึงดักฝุ่น และอื่นๆ ออก คุณจะสามารถยกเครื่องมือได้อย่างง่ายดายยิ่งขึ้น

การบำรุงรักษา

คำเตือน: โปรดตรวจสอบให้แน่ใจว่าใบเลื่อยนั้นคมและสะอาดอยู่เสมอเพื่อประสิทธิภาพและความปลอดภัยสูงสุด การพยายามตัดด้วยใบเลื่อยที่ทื่อและ/หรือสกปรกอาจทำให้เกิดการติดกลับและทำให้เกิดการบาดเจ็บร้ายแรงได้

ข้อควรระวัง: ตรวจสอบให้แน่ใจว่าได้ปิดสวิทช์เครื่องมือและถอดดัลล์แบบเตอรัออกก่อนทำการตรวจสอบหรือบำรุงรักษา

ข้อสังเกต: อย่าใช้น้ำมันเชื้อเพลิง เบนซิน ทินเนอร์ แอลกอฮอล์ หรือวัสดุประเภทเดียวกัน เนื่องจากอาจทำให้ลื่นลื่น เสียหาย หรือแตกเร็วได้

การปรับมุมการตัด

เครื่องมือนี้ได้รับการปรับแต่งมาอย่างละเอียดจากโรงงาน แต่การใช้งานหรือการเคลื่อนย้ายอาจทำให้ตำแหน่งต่างๆ ผิดไปได้ หากส่วนต่างๆ ของเครื่องมือของคุณไม่อยู่ในตำแหน่งที่ถูกต้อง โปรดดำเนินการดังต่อไปนี้:

องศาการบาก

1. ถอดดัลล์เข้าหากฉากนำและขันสกรูกันคลายสองตัวเพื่อยึดดัลล์
2. หมุนฐานหมุนจนกว่าตัวชี้จะชี้ที่ 0° บนสเกลบาก
3. หมุนฐานหมุนเล็กน้อยตามเข็มนาฬิกาและทวนเข็มนาฬิกาเพื่อจัดตำแหน่งให้ฐานหมุนอยู่ในตำแหน่งรอยบาก 0° (ปล่อยทั้งไว้หากตัวชี้ไม่ชี้ที่ 0°)

4. คลายสลักเกลียวหัวบ็อกซ์หกเหลี่ยมซึ่งยึดฉากนำอยู่โดยใช้ประแจหกเหลี่ยม

▶ **หมายเลข 55:** 1. ฉากนำ 2. สลักเกลียวหัวบ็อกซ์หกเหลี่ยม

5. ลดด้ามจับลงจนสุดแล้วล็อกในตำแหน่งต่ำสุดโดยกดเช็มสตอปเปอร์
6. ปรับฉากนำจนกระทั่งทำมุมฉากกับใบเลื่อยโดยใช้ไม้บรรทัดสามเหลี่ยม, ไม้ฉาก ฯลฯ จากนั้นขันให้แน่นด้วยสลักเกลียวหัวบ็อกซ์หกเหลี่ยมบนฉากนำตามลำดับโดยเริ่มจากด้านขวา

▶ **หมายเลข 56:** 1. ไม้บรรทัดสามเหลี่ยม 2. ฉากนำ

7. ตรวจสอบให้แน่ใจว่าตัวชี้ที่ 0° บนสเกลปาก หากตัวชี้ไม่ได้ชี้ไปที่ 0° ให้คลายสกรูที่ยึดตัวชี้แล้วปรับตัวชี้ให้ชี้ไปที่ 0°

▶ **หมายเลข 57:** 1. สกรู 2. สเกลปาก 3. ตัวชี้

องศามุมเอียง

มุมเอียง 0°

▶ **หมายเลข 58:** 1. ก้าน 2. ที่ยึดแขน 3. สลักเกลียว ปรับมุมเอียง 0° องศา 4. แขน 5. ปุ่มปล่อย

1. กดด้ามเข้าหากากนำและขันสกรูกันคลายสองตัวเพื่อยึดด้าม

2. ลดด้ามจับลงจนสุดแล้วล็อกในตำแหน่งต่ำสุดโดยกดปุ่มสต็อปเปอร์

3. คลายก้านที่ด้านหลังของเครื่องมือ

4. หมุนสลักเกลียวปรับองศาเอียง 0° (สลักเกลียวด้านล่าง) ที่ด้านขวาของแขนทวนเข็มนาฬิกาสองสามรอบเพื่อเอียงใบเลื่อยไปทางขวา

5. หมุนสลักเกลียวปรับองศาเอียง 0° ตามเข็มนาฬิกาอย่างระมัดระวังจนกว่าด้านข้างของใบเลื่อยจะทำมุมฉากกับพื้นผิวด้านบนของฐานหมุน ใช้ไม้สเกล ไม้ฉาก และอื่นๆ เป็นตัวนำ แล้วขันก้านให้แน่น

▶ **หมายเลข 59:** 1. ไม้บรรทัดสามเหลี่ยม 2. ใบเลื่อย 3. พื้นผิวด้านบนของโต๊ะหมุน

6. ตรวจสอบให้แน่ใจว่าตัวชี้บนแกนชี้ที่ 0° บนสเกลมุมเอียง หากตัวชี้ไม่ได้ชี้ไปที่ 0° ให้คลายสกรูที่ยึดตัวชี้แล้วปรับตัวชี้ให้ชี้ไปที่ 0°

▶ **หมายเลข 60:** 1. สเกลมุมเอียง 2. ตัวชี้ 3. สกรู

มุมเอียง 45°

▶ **หมายเลข 61:** 1. สลักเกลียวปรับมุมเอียงซ้าย 45° องศา

ปรับมุมเอียง 45° องศาหลังจากปรับมุมเอียง 0° แล้วเท่านั้น

1. คลายก้านและเอียงใบเลื่อยไปทางซ้ายจนสุด

2. ตรวจสอบให้แน่ใจว่าตัวชี้บนแกนชี้ที่ 45° บนสเกลมุมเอียง ถ้าตัวชี้ไม่ชี้ที่ 45° ให้หมุนสลักเกลียวปรับมุมเอียง 45° (สลักเกลียวด้านบน) ทางด้านขวาของแขนจนกว่าตัวชี้จะชี้ที่ 45°

หลังจากการใช้งาน

หลังจากการใช้งาน ให้ใช้ผ้าหรือสิ่งอื่นๆ บัดเศษวัสดุและฝุ่นที่เครื่องมือ รักษาความสะอาดของที่ป้องกันใบเลื่อยโดยใช้วิธีการที่ระบุไว้ในส่วนที่มีชื่อว่า "ที่ป้องกันใบเลื่อย" ใช้น้ำมันเครื่องหล่อลื่นส่วนที่เคลื่อนที่ได้เพื่อกันสนิม

เมื่อเก็บเครื่องมือ ดึงด้ามเข้าหาตัวจนสุดเพื่อให้เสาโลดใส่เข้าไปในฐานหมุนได้ทั้งหมด

เพื่อความปลอดภัยและแนวเชื้อถือของผลิตภัณฑ์ ควรให้ศูนย์บริการหรือโรงงานที่ผ่านการรับรองจาก Makita เป็นผู้ดำเนินการซ่อมแซม บำรุงรักษาและทำการปรับตั้งอื่นๆ นอกจากนี้ให้ใช้อะไหล่ของแท้จาก Makita เสมอ

อุปกรณ์เสริม

คำเตือน: ขอแนะนำให้ใช้เฉพาะอุปกรณ์เสริม Makita หรืออุปกรณ์ต่อพ่วงเหล่านี้กับเครื่องมือ Makita ที่ระบุในคู่มือ การใช้อุปกรณ์เสริมหรืออุปกรณ์ต่อพ่วงอาจทำให้เกิดการบาดเจ็บร้ายแรงได้

คำเตือน: ใช้อุปกรณ์เสริม Makita หรืออุปกรณ์ต่อพ่วงตามวัตถุประสงค์ที่ระบุไว้เท่านั้น การใช้อุปกรณ์เสริมหรืออุปกรณ์ต่อพ่วงอย่างไม่เหมาะสมอาจทำให้เกิดการบาดเจ็บร้ายแรงได้

หากต้องการทราบรายละเอียดเพิ่มเติมเกี่ยวกับอุปกรณ์เสริมเหล่านี้ โปรดสอบถามศูนย์บริการ Makita ใกล้บ้านคุณ

- ใบเลื่อยปลายคาร์ไบน์ (สำหรับใบเลื่อยที่ถูกดองซึ่งใช้สำหรับวัสดุที่จะตัด กรุณาดูที่เว็บไซต์ของเรา เพื่อติดต่อตัวแทนจำหน่าย Makita ใกล้บ้านคุณ)
- ชุดดัดหัวหนีบ (ตัวหนีบแบบวนอน)
- หัวหนีบแนวตั้ง
- ชุดที่ยึด
- ชุดแท่งโลหะที่ยึด
- แผ่นตั้ง
- ลูกตักฝุ่น
- ไม้บรรทัดสามเหลี่ยม
- ประแจหกเหลี่ยม
- แบตเตอรี่และเครื่องชาร์จ Makita ของแท้

หมายเหตุ: อุปกรณ์บางรายการอาจจะรวมอยู่ในชุดเครื่องมือเป็นอุปกรณ์มาตรฐาน ซึ่งอาจแตกต่างกันไปในแต่ละประเทศ

Makita Corporation
3-11-8, Sumiyoshi-cho,
Anjo, Aichi 446-8502 Japan
www.makita.com

885680A378 EN, ID, VI, TH 20210908
--