



**ARISTON**

**COMFORT ALWAYS ON**

# **PRO R SLIM**

ELECTRIC STORAGE WATER HEATERS



# PRO R SLIM

PRO R SLIM 30-40-56-80-100

MULTI-POSITION WALL-HUNG ELECTRIC STORAGE WATER HEATER



- Easy and flexible installation
- Two different diameters: regular [450mm] and slim [353mm]
- Exclusive enameled tank protection
- Horizontal installation
- External temperature regulation
- Large anticorrosion magnesium anode
- High efficiency insulation material
- Easy maintenance
- Wide range of capacities
- Worry-free TSS Total Safety System
- Suitable for counter-ceiling hidden installation

*multi-position  
mounting*

## Technical data - Overall dimensions

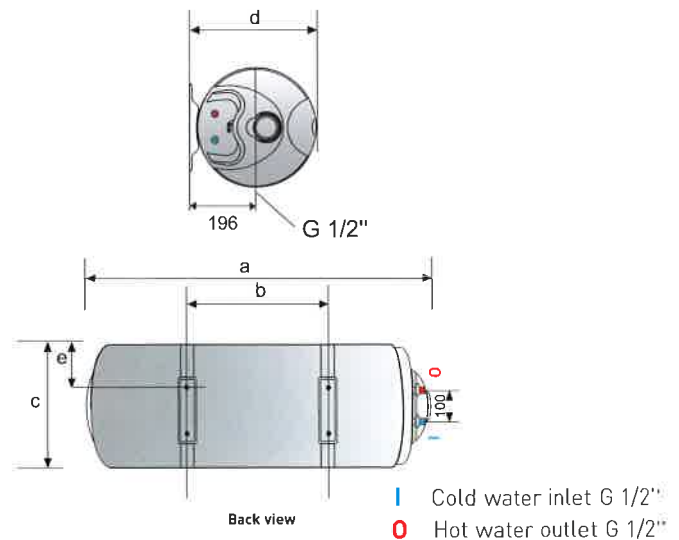
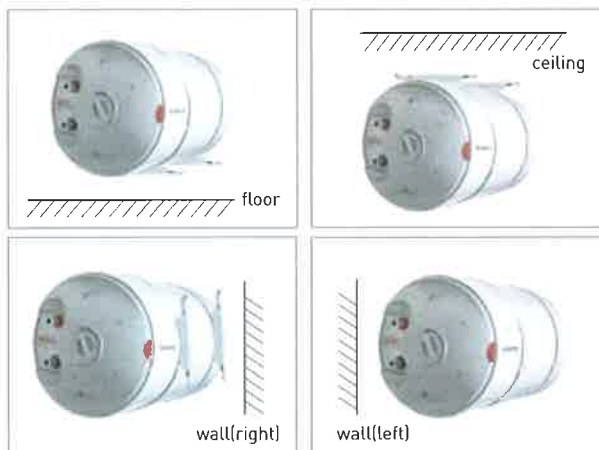
	Unit	PRO R S 30 SHE	PRO R S 40 SHE	PRO R S 56 SHE	PRO R S 80 HE	PRO R S 100 HE		PRO R S 30 SHE	PRO R S 40 SHE	PRO R S 56 SHE	PRO R S 80 HE	PRO R S 100 HE
Capacity	L	30	40	56	80	100	a mm	584	722	931	758	910
Power	kW	3	3	3	3	3	b mm	229	367	576	337	489
Voltage	V	230	230	230	230	230	c mm	353	353	353	450	450
Heating time ( $\Delta T=35^{\circ}\text{C}$ )	h:min	0:26	0:34	0:48	1:09	1:26	d mm	373	373	373	470	470
Max. Working Temperature	$^{\circ}\text{C}$	65	65	65	65	65	e mm	79	79	79	127	127
Heat dispersion	kWh/24hr	0.74	0.97	1.19	1.41	1.60						
Max. Working Pressure	bar	8	8	8	8	8						
Net Weight	Kg	13	17	21	23	27						
Inner Tank Steel Thickness (average)	mm	1.8	1.8	1.8	1.8	1.8						

DESCRIPTION	PRO R S 30 SHE	PRO R S 40 SHE	PRO R S 56 SHE	PRO R S 80 HE	PRO R S 100 HE
-------------	----------------	----------------	----------------	---------------	----------------

CODE	3626279	3626280	3626281	3626282	3626283
------	---------	---------	---------	---------	---------

INSTALLATION	wall - ceiling horizontal				
--------------	---------------------------	--	--	--	--

All direction mounting



ARISTON THERMO PTE LTD

1 Gateway Drive, #20-05/06, Westgate Tower, Singapore 608531

T: [+65] 6226 0292 F: [+65] 6226 0361

E: info.sg@aristonthermo.com