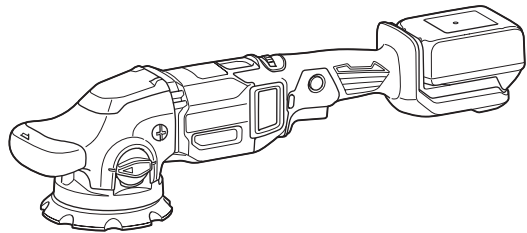
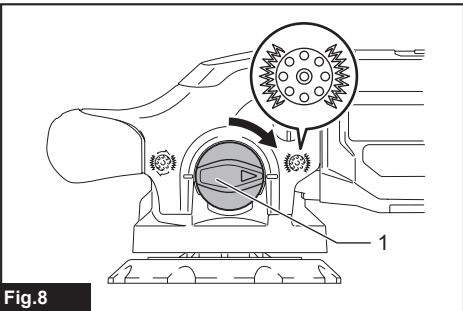
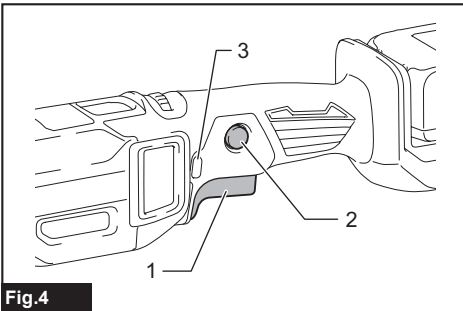
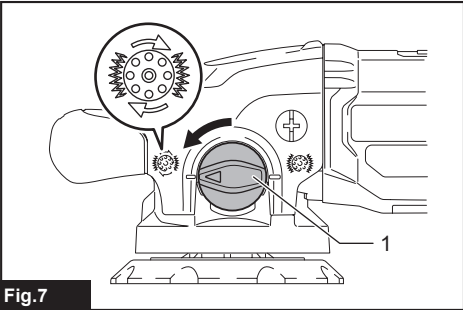
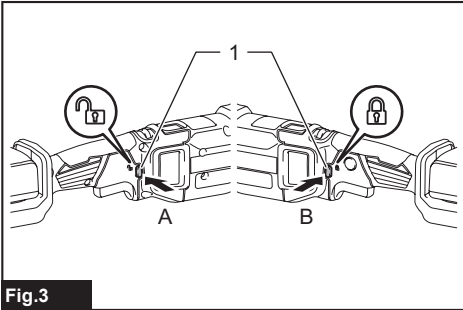
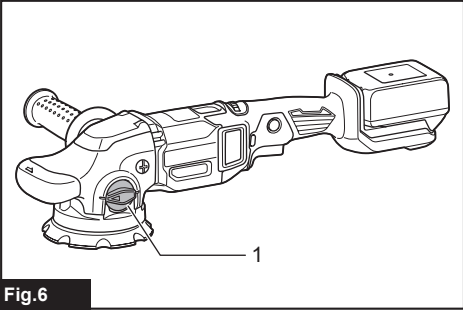
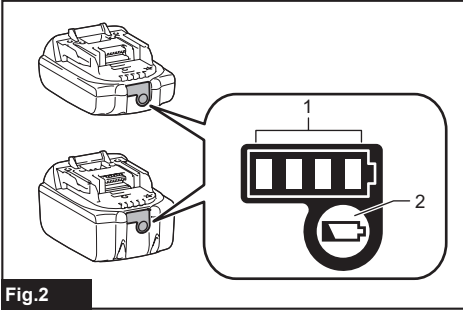
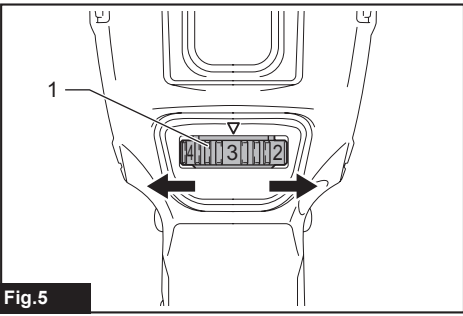
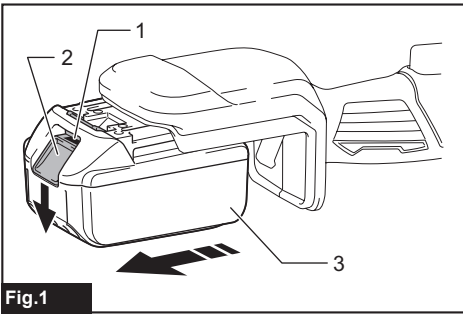




EN	Cordless Random Orbit Polisher	INSTRUCTION MANUAL	5
ZHCN	充电式轨道抛光机	使用说明书	12
ID	Mesin Pemoles Acak Tanpa Kabel	PETUNJUK PENGGUNAAN	19
VI	Máy Đánh Bóng Quỹ Đạo Tròn Cầm Tay Hoạt Động Bằng Pin	TÀI LIỆU HƯỚNG DẪN	27
TH	เครื่องหมุนขัดเงาไร้สาย	คู่มือการใช้งาน	34

DPO500
DPO600





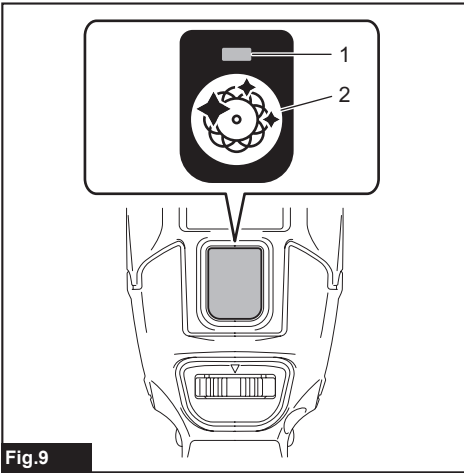


Fig.9

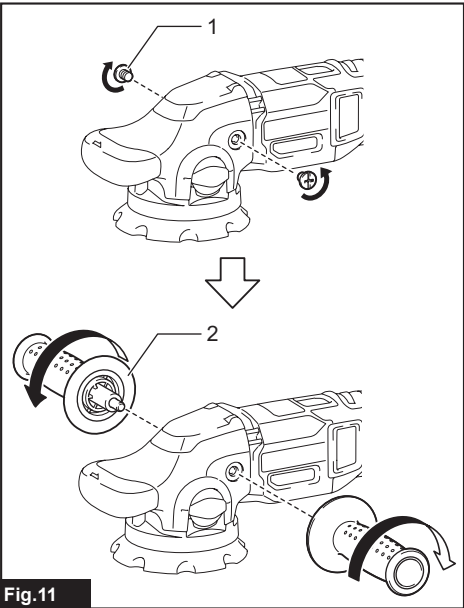


Fig.11

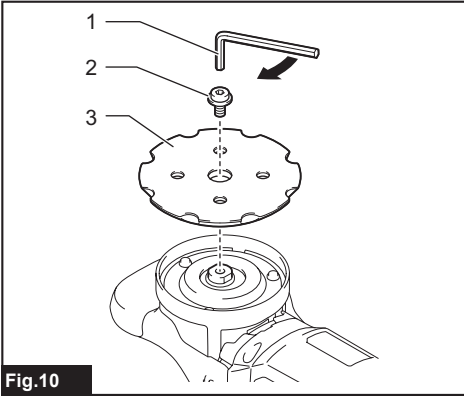


Fig.10

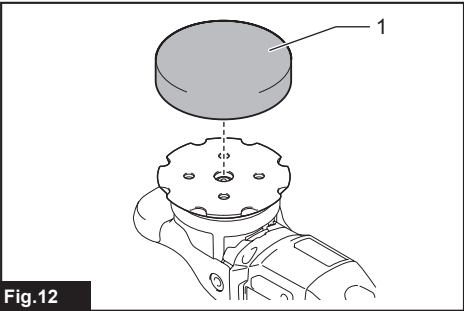


Fig.12

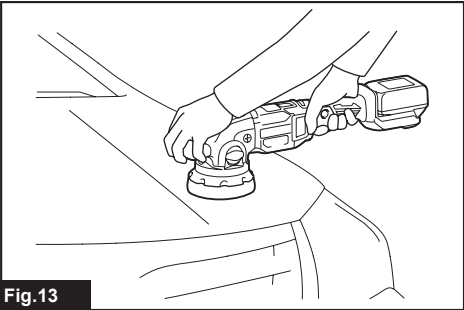


Fig.13

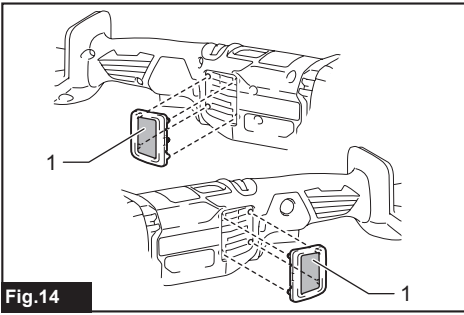


Fig.14

SPECIFICATIONS

Model:		DPO500	DPO600
Backing pad diameter		123 mm	148 mm
Orbits per minute	Normal mode	0 - 6,800 min ⁻¹	
	Finishing mode	0 - 5,200 min ⁻¹	
Overall length		530 mm	
Rated voltage		D.C. 18 V	
Net weight		3.1 - 3.6 kg	

- Due to our continuing program of research and development, the specifications herein are subject to change without notice.
- Specifications and battery cartridge may differ from country to country.
- The weight may differ depending on the attachment(s), including the battery cartridge. The lightest and heaviest combinations, according to EPTA-Procedure 01/2014, are shown in the table.

Applicable battery cartridge and charger

Battery cartridge	BL1815N / BL1820 / BL1820B / BL1830 / BL1830B / BL1840 / BL1840B / BL1850 / BL1850B / BL1860B
Charger	DC18RC / DC18RD / DC18RE / DC18SD / DC18SE / DC18SF

- Some of the battery cartridges and chargers listed above may not be available depending on your region of residence.

⚠ WARNING: Only use the battery cartridges and chargers listed above. Use of any other battery cartridges and chargers may cause injury and/or fire.

Symbols

The followings show the symbols used for the equipment. Be sure that you understand their meaning before use.



Read instruction manual.



Only for EU countries
Do not dispose of electric equipment or battery pack together with household waste material!
In observance of the European Directives, on Waste Electric and Electronic Equipment and Batteries and Accumulators and Waste Batteries and Accumulators and their implementation in accordance with national laws, electric equipment and batteries and battery pack(s) that have reached the end of their life must be collected separately and returned to an environmentally compatible recycling facility.

Intended use

The tool is intended for polishing.

SAFETY WARNINGS

General power tool safety warnings

⚠ WARNING: Read all safety warnings, instructions, illustrations and specifications provided with this power tool. Failure to follow all instructions listed below may result in electric shock, fire and/or serious injury.

Save all warnings and instructions for future reference.

The term "power tool" in the warnings refers to your mains-operated (corded) power tool or battery-operated (cordless) power tool.

Work area safety

1. **Keep work area clean and well lit.** Cluttered or dark areas invite accidents.
2. **Do not operate power tools in explosive atmospheres, such as in the presence of flammable liquids, gases or dust.** Power tools create sparks which may ignite the dust or fumes.
3. **Keep children and bystanders away while operating a power tool.** Distractions can cause you to lose control.

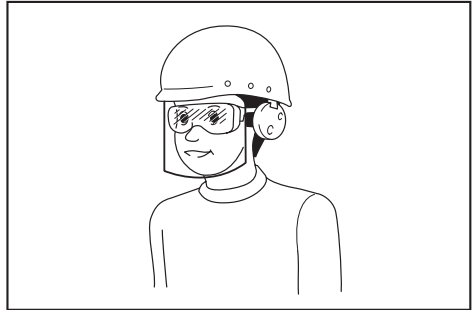
Electrical safety

1. **Power tool plugs must match the outlet. Never modify the plug in any way. Do not use any adapter plugs with earthed (grounded) power tools.** Unmodified plugs and matching outlets will reduce risk of electric shock.
2. **Avoid body contact with earthed or grounded surfaces, such as pipes, radiators, ranges and refrigerators.** There is an increased risk of electric shock if your body is earthed or grounded.
3. **Do not expose power tools to rain or wet conditions.** Water entering a power tool will increase the risk of electric shock.
4. **Do not abuse the cord. Never use the cord for carrying, pulling or unplugging the power tool. Keep cord away from heat, oil, sharp edges or moving parts.** Damaged or entangled cords increase the risk of electric shock.
5. **When operating a power tool outdoors, use an extension cord suitable for outdoor use.** Use of a cord suitable for outdoor use reduces the risk of electric shock.
6. **If operating a power tool in a damp location is unavoidable, use a residual current device (RCD) protected supply.** Use of an RCD reduces the risk of electric shock.
7. **Power tools can produce electromagnetic fields (EMF) that are not harmful to the user.**
However, users of pacemakers and other similar medical devices should contact the maker of their device and/or doctor for advice before operating this power tool.

Personal safety

1. **Stay alert, watch what you are doing and use common sense when operating a power tool. Do not use a power tool while you are tired or under the influence of drugs, alcohol or medication.** A moment of inattention while operating power tools may result in serious personal injury.
2. **Use personal protective equipment. Always wear eye protection.** Protective equipment such as a dust mask, non-skid safety shoes, hard hat or hearing protection used for appropriate conditions will reduce personal injuries.
3. **Prevent unintentional starting. Ensure the switch is in the off-position before connecting to power source and/or battery pack, picking up or carrying the tool.** Carrying power tools with your finger on the switch or energising power tools that have the switch on invites accidents.
4. **Remove any adjusting key or wrench before turning the power tool on.** A wrench or a key left attached to a rotating part of the power tool may result in personal injury.
5. **Do not overreach. Keep proper footing and balance at all times.** This enables better control of the power tool in unexpected situations.
6. **Dress properly. Do not wear loose clothing or jewellery. Keep your hair and clothing away from moving parts.** Loose clothes, jewellery or long hair can be caught in moving parts.

7. **If devices are provided for the connection of dust extraction and collection facilities, ensure these are connected and properly used.** Use of dust collection can reduce dust-related hazards.
8. **Do not let familiarity gained from frequent use of tools allow you to become complacent and ignore tool safety principles.** A careless action can cause severe injury within a fraction of a second.
9. **Always wear protective goggles to protect your eyes from injury when using power tools. The goggles must comply with ANSI Z87.1 in the USA, EN 166 in Europe, or AS/NZS 1336 in Australia/New Zealand. In Australia/New Zealand, it is legally required to wear a face shield to protect your face, too.**



It is an employer's responsibility to enforce the use of appropriate safety protective equipments by the tool operators and by other persons in the immediate working area.

Power tool use and care

1. **Do not force the power tool. Use the correct power tool for your application.** The correct power tool will do the job better and safer at the rate for which it was designed.
2. **Do not use the power tool if the switch does not turn it on and off.** Any power tool that cannot be controlled with the switch is dangerous and must be repaired.
3. **Disconnect the plug from the power source and/or remove the battery pack, if detachable, from the power tool before making any adjustments, changing accessories, or storing power tools.** Such preventive safety measures reduce the risk of starting the power tool accidentally.
4. **Store idle power tools out of the reach of children and do not allow persons unfamiliar with the power tool or these instructions to operate the power tool.** Power tools are dangerous in the hands of untrained users.
5. **Maintain power tools and accessories. Check for misalignment or binding of moving parts, breakage of parts and any other condition that may affect the power tool's operation. If damaged, have the power tool repaired before use.** Many accidents are caused by poorly maintained power tools.
6. **Keep cutting tools sharp and clean.** Properly maintained cutting tools with sharp cutting edges are less likely to bind and are easier to control.

7. Use the power tool, accessories and tool bits etc. in accordance with these instructions, taking into account the working conditions and the work to be performed. Use of the power tool for operations different from those intended could result in a hazardous situation.
8. Keep handles and grasping surfaces dry, clean and free from oil and grease. Slippery handles and grasping surfaces do not allow for safe handling and control of the tool in unexpected situations.
9. When using the tool, do not wear cloth work gloves which may be entangled. The entanglement of cloth work gloves in the moving parts may result in personal injury.

Battery tool use and care

1. Recharge only with the charger specified by the manufacturer. A charger that is suitable for one type of battery pack may create a risk of fire when used with another battery pack.
2. Use power tools only with specifically designated battery packs. Use of any other battery packs may create a risk of injury and fire.
3. When battery pack is not in use, keep it away from other metal objects, like paper clips, coins, keys, nails, screws or other small metal objects, that can make a connection from one terminal to another. Shorting the battery terminals together may cause burns or a fire.
4. Under abusive conditions, liquid may be ejected from the battery; avoid contact. If contact accidentally occurs, flush with water. If liquid contacts eyes, additionally seek medical help. Liquid ejected from the battery may cause irritation or burns.
5. Do not use a battery pack or tool that is damaged or modified. Damaged or modified batteries may exhibit unpredictable behaviour resulting in fire, explosion or risk of injury.
6. Do not expose a battery pack or tool to fire or excessive temperature. Exposure to fire or temperature above 130 °C may cause explosion.
7. Follow all charging instructions and do not charge the battery pack or tool outside the temperature range specified in the instructions. Charging improperly or at temperatures outside the specified range may damage the battery and increase the risk of fire.

Service

1. Have your power tool serviced by a qualified repair person using only identical replacement parts. This will ensure that the safety of the power tool is maintained.
2. Never service damaged battery packs. Service of battery packs should only be performed by the manufacturer or authorized service providers.
3. Follow instruction for lubricating and changing accessories.

Cordless random orbit polisher safety warnings

1. Do not leave the tool running. Operate the tool only when hand-held.
2. Check that the workpiece is properly supported.
3. Do not use the tool on any materials containing asbestos.
4. Do not touch the bolt on the backing pad immediately after operation. It may be extremely hot and could burn your skin.
5. Make sure that there is no crack or breakage on the pad before use. If you drop the tool, check that there is no breakage and run the tool for approximately 1 minute at the maximum speed at no load to check that there is no abnormality with the tool. Cracks or breakage may cause a personal injury.

SAVE THESE INSTRUCTIONS.

⚠WARNING: DO NOT let comfort or familiarity with product (gained from repeated use) replace strict adherence to safety rules for the subject product. MISUSE or failure to follow the safety rules stated in this instruction manual may cause serious personal injury.

Important safety instructions for battery cartridge

1. Before using battery cartridge, read all instructions and cautionary markings on (1) battery charger, (2) battery, and (3) product using battery.
2. Do not disassemble battery cartridge.
3. If operating time has become excessively shorter, stop operating immediately. It may result in a risk of overheating, possible burns and even an explosion.
4. If electrolyte gets into your eyes, rinse them out with clear water and seek medical attention right away. It may result in loss of your eyesight.
5. Do not short the battery cartridge:
 - (1) Do not touch the terminals with any conductive material.
 - (2) Avoid storing battery cartridge in a container with other metal objects such as nails, coins, etc.
 - (3) Do not expose battery cartridge to water or rain.

A battery short can cause a large current flow, overheating, possible burns and even a breakdown.
6. Do not store the tool and battery cartridge in locations where the temperature may reach or exceed 50 °C (122 °F).
7. Do not incinerate the battery cartridge even if it is severely damaged or is completely worn out. The battery cartridge can explode in a fire.
8. Be careful not to drop or strike battery.

9. **Do not use a damaged battery.**
10. **The contained lithium-ion batteries are subject to the Dangerous Goods Legislation requirements.**

For commercial transports e.g. by third parties, forwarding agents, special requirement on packaging and labeling must be observed.

For preparation of the item being shipped, consulting an expert for hazardous material is required. Please also observe possibly more detailed national regulations.

Tape or mask off open contacts and pack up the battery in such a manner that it cannot move around in the packaging.

11. **When disposing the battery cartridge, remove it from the tool and dispose of it in a safe place. Follow your local regulations relating to disposal of battery.**
12. **Use the batteries only with the products specified by Makita.** Installing the batteries to non-compliant products may result in a fire, excessive heat, explosion, or leak of electrolyte.
13. **If the tool is not used for a long period of time, the battery must be removed from the tool.**

SAVE THESE INSTRUCTIONS.

CAUTION: Only use genuine Makita batteries. Use of non-genuine Makita batteries, or batteries that have been altered, may result in the battery bursting causing fires, personal injury and damage. It will also void the Makita warranty for the Makita tool and charger.

Tips for maintaining maximum battery life

1. **Charge the battery cartridge before completely discharged. Always stop tool operation and charge the battery cartridge when you notice less tool power.**
2. **Never recharge a fully charged battery cartridge. Overcharging shortens the battery service life.**
3. **Charge the battery cartridge with room temperature at 10 °C - 40 °C (50 °F - 104 °F). Let a hot battery cartridge cool down before charging it.**
4. **Charge the battery cartridge if you do not use it for a long period (more than six months).**

FUNCTIONAL DESCRIPTION

CAUTION: Always be sure that the tool is switched off and the battery cartridge is removed before adjusting or checking function on the tool.

Installing or removing battery cartridge

CAUTION: Always switch off the tool before installing or removing of the battery cartridge.

CAUTION: Hold the tool and the battery cartridge firmly when installing or removing battery cartridge. Failure to hold the tool and the battery cartridge firmly may cause them to slip off your hands and result in damage to the tool and battery cartridge and a personal injury.

► Fig.1: 1. Red indicator 2. Button 3. Battery cartridge

To remove the battery cartridge, slide it from the tool while sliding the button on the front of the cartridge.

To install the battery cartridge, align the tongue on the battery cartridge with the groove in the housing and slip it into place. Insert it all the way until it locks in place with a little click. If you can see the red indicator on the upper side of the button, it is not locked completely.

CAUTION: Always install the battery cartridge fully until the red indicator cannot be seen. If not, it may accidentally fall out of the tool, causing injury to you or someone around you.















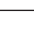



CAUTION: Do not install the battery cartridge forcibly. If the cartridge does not slide in easily, it is not being inserted correctly.

Indicating the remaining battery capacity

Only for battery cartridges with the indicator

► Fig.2: 1. Indicator lamps 2. Check button

Press the check button on the battery cartridge to indicate the remaining battery capacity. The indicator lamps light up for a few seconds.

Indicator lamps			Remaining capacity
 Lighted	 Off	 Blinking	
			75% to 100%
			50% to 75%
			25% to 50%
			0% to 25%
			Charge the battery.
			The battery may have malfunctioned.
			

NOTE: Depending on the conditions of use and the ambient temperature, the indication may differ slightly from the actual capacity.

Tool / battery protection system

The tool is equipped with a tool/battery protection system. This system automatically cuts off power to the motor to extend tool and battery life. The tool will automatically stop during operation if the tool or battery is placed under one of the following conditions:

Overload protection

When the tool or battery is operated in a manner that causes it to draw an abnormally high current, the tool automatically stops without any indication. In this situation, turn the tool off and stop the application that caused the tool to become overloaded. Then turn the tool on to restart.

Overheat protection

When the tool or battery is overheated, the tool stops automatically. In this case, let the tool and battery cool before turning the tool on again.

Overdischarge protection


When the battery capacity is not enough, the tool stops automatically. In this case, remove the battery from the tool and charge the battery.

Switch action

CAUTION: Before installing the battery cartridge into the tool, always check to see that the switch trigger actuates properly and returns to the "OFF" position when released.



CAUTION: Switch can be locked in "ON" position for ease of operator comfort during extended use. Apply caution when locking tool in "ON" position and maintain firm grasp on tool.

CAUTION: Do not install the battery cartridge with the lock button engaged.

CAUTION: When not operating the tool, depress the trigger-lock button from  side to lock the switch trigger in the OFF position.

► Fig.3: 1. Trigger-lock button

► Fig.4: 1. Switch trigger 2. Lock button 3. Trigger-lock button

To prevent the switch trigger from accidentally pulled, the trigger-lock button is provided. To start the tool, depress the trigger-lock button from A () side and pull the switch trigger. Tool speed is increased by increasing pressure on the switch trigger. Release the switch trigger to stop. After use, depress the trigger-lock button from B () side.

For continuous operation, depress the lock button while pulling the switch trigger, and then release the switch trigger. To stop the tool, pull the switch trigger fully, then release it.

Speed adjusting dial

► Fig.5: 1. Speed adjusting dial

The rotating speed can be changed by turning the speed adjusting dial to a given number setting from 1 to 5. Higher speed is obtained when the dial is turned in the direction of number 5. And lower speed is obtained when it is turned in the direction of number 1.

Refer to the table for the relationship between the number settings on the dial and the approximate rotating speed.

Normal mode

Number	Orbits per min.	Pad rotating speed per minute in random orbit with forced rotation mode
1	1,600	180
2	2,500	290
3	4,000	460
4	5,600	650
5	6,800	780

Finishing mode

Number	Orbits per min.	Pad rotating speed per minute in random orbit with forced rotation mode
1	1,600	180
2	2,200	250
3	3,300	380
4	4,400	500
5	5,200	600

NOTICE: If the tool is operated continuously at low speeds for a long time, the motor will get overloaded, resulting in tool malfunction.

NOTICE: The speed adjusting dial can be turned only as far as 5 and back to 1. Do not force it past 5 or 1, or the speed adjusting function may no longer work.

Selecting the action mode

Turn the change knob to alter the rotation mode.

► Fig.6: 1. Change knob

NOTICE: Always turn the knob fully. If the knob is in the middle position, you cannot turn on the tool.

NOTICE: You cannot change the action mode when the tool is switched on.

Random orbit with forced rotation mode

► Fig.7: 1. Change knob

Random orbit with forced rotation mode is orbital action with forced rotation of the pad for rough polishing such as surface treatment.

Rotate the change knob counterclockwise for random orbit with forced rotation mode.

Random orbit mode

► Fig.8: 1. Change knob

Random orbit mode is orbital action with free rotation of the pad for fine polishing.

Rotate the change knob clockwise for random orbit mode.

Finishing mode

In the finishing mode, you can operate the tool without applying excessive load. This mode is suitable for finishing operation.

To use the tool in the finishing mode, pull the switch trigger and release it to turn on the tool, and then press the mode switching button. The lamp lights up in green. To return to the normal mode, press the mode switching button while the tool is turned on.

► Fig.9: 1. Lamp 2. Mode switching button

NOTE: You cannot change the mode when the tool is running.

Accidental restart preventive function

If you install the battery cartridge while pulling the switch trigger or locking the switch trigger, the tool does not start. To start the tool, release the switch trigger, and then pull the switch trigger.

Electronic function

The tools equipped with electronic function are easy to operate because of the following features.

Constant speed control

Possible to get fine finish, because the rotating speed is kept constant even under the loaded condition.

Soft start feature

Soft start because of suppressed starting shock.

ASSEMBLY

CAUTION: Always be sure that the tool is switched off and the battery cartridge is removed before carrying out any work on the tool.

Installing the backing pad

► Fig.10: 1. Hex wrench 2. Bolt 3. Backing pad

Put the backing pad on the shaft then turn the bolt clockwise with a hex wrench.

CAUTION: Make sure that the backing pad is secured properly. Loose attachment will run out of balance and cause an excessive vibration which may cause loss of control.

Installing side grip

Optional accessory

CAUTION: Tighten the caps or side grip firmly. Otherwise, the front cover may fall and cause an injury.

► Fig.11: 1. Cap 2. Side grip

Remove the cap and screw the side grip on the tool securely.

The side grip can be installed on either side of the tool.

Installing or removing pad

Optional accessory

CAUTION: Only use hook-and-loop system pads for polishing.

► Fig.12: 1. Pad

To install the pad, first remove all dirt and foreign matter from the hook-and-loop system of the pad and the backing pad. Attach the pad to the backing pad so that their edges are aligned.

To remove the pad from the backing pad, just pull up from its edge.

CAUTION: Make sure that the pad and backing pad are aligned and securely attached. Otherwise the pad will cause an excessive vibration which may cause loss of control or the pad may be thrown out from the tool.

OPERATION

CAUTION: Only use Makita genuine pads for polishing (optional accessories).

CAUTION: Make sure the work material is secured and stable. Falling object may cause personal injury.

CAUTION: Hold the tool firmly with one hand on the switch handle and the other hand on the front grip (or side handle) when performing the tool.

CAUTION: Do not run the tool at high load over an extended time period. It may result in tool malfunction which causes electric shock, fire and/or serious injury.

CAUTION: Be careful not to touch the rotating part.

CAUTION: Before operating the tool, make sure that the side grip or caps are not loose. If the side grip or caps are loose, the front cover may fall and cause an injury.

NOTICE: Never force the tool. Excessive pressure may lead to decreased polishing efficiency, damaged pad, or shorten tool life.

NOTICE: Continuous operation at high speed may damage work surface.

Polishing operation

► Fig.13

1. Surface treatment (Random orbit with forced rotation mode)

Use a wool pad for rough finishing then use a sponge pad for fine finishing.

2. Applying wax (Random orbit mode)

Use a sponge pad. Apply wax to the sponge pad or work surface. Run the tool at low speed to smooth out wax.

CAUTION: Do not apply excessive wax or polishing agent. It will generate more dust and may cause eye or respiratory diseases.

NOTE: First, perform a test waxing on an inconspicuous portion of the work surface. Make sure that the tool will not scratch the surface or result in uneven waxing before.

3. Removing wax (Random orbit mode)

Use another sponge pad. Run the tool to remove wax.

4. Polishing (Random orbit mode)

Apply a felt pad gently to the work surface.

MAINTENANCE

CAUTION: Always be sure that the tool is switched off and the battery cartridge is removed before attempting to perform inspection or maintenance.

NOTICE: Never use gasoline, benzine, thinner, alcohol or the like. Discoloration, deformation or cracks may result.

To maintain product SAFETY and RELIABILITY, repairs, any other maintenance or adjustment should be performed by Makita Authorized or Factory Service Centers, always using Makita replacement parts.

Cleaning dust covers

► Fig.14: 1. Dust cover

Regularly clean the dust covers on the inhalation vents for smooth air circulation. Remove the dust covers and clean the mesh.

OPTIONAL ACCESSORIES

CAUTION: These accessories or attachments are recommended for use with your Makita tool specified in this manual. The use of any other accessories or attachments might present a risk of injury to persons. Only use accessory or attachment for its stated purpose.

If you need any assistance for more details regarding these accessories, ask your local Makita Service Center.

- Side grip
- Backing pad
- Wool pad
- Sponge pad
- Felt pad
- Makita genuine battery and charger

NOTE: Some items in the list may be included in the tool package as standard accessories. They may differ from country to country.

规格

型号:	DPO500	DPO600
支持垫盘直径	123 mm	148 mm
每分钟 回转数	普通模式	0 - 6,800 r/min
	精抛模式	0 - 5,200 r/min
总长度	530 mm	
额定电压	D.C. 18 V	
净重	3.1 - 3.6 kg	

- 生产者保留变更规格不另行通知之权利。
- 规格和电池组可能因销往国家之不同而异。
- 重量因附件（包括电池组）而异。根据EPTA-Procedure 01/2014，最重与最轻的组合见表格。

适用电池组和充电器

电池组	BL1815N / BL1820 / BL1820B / BL1830 / BL1830B / BL1840 / BL1840B / BL1850 / BL1850B / BL1860B
充电器	DC18RC / DC18RD / DC18RE / DC18SD / DC18SE / DC18SF

- 部分以上所列电池组和充电器是否适用视用户所在地区而异。

警告： 请仅使用以上所列电池组和充电器。使用其他类型的电池组或充电器可能会导致人身伤害和 / 或失火。

符号

以下显示本工具使用的符号。在使用工具之前请务必理解其含义。



阅读使用说明书。



仅限于欧盟国家
请勿将电气设备或电池组与家庭普通废弃物一同丢弃！
请务必遵守欧洲关于废弃电子电气设备、电池和蓄电池以及废弃电池和蓄电池的指令并根据法律法规执行。达到使用寿命的电气设备和电池组必须分类回收至符合环境保护规定的再循环机构。

用途

本工具用于抛光。

安全警告

电动工具通用安全警告

警告： 阅读随电动工具提供的所有安全警告、说明、图示和规定。不遵照以下所列说明会导致电击、着火和 / 或严重伤害。

保存所有警告和说明书以备查阅。

警告中的术语“电动工具”是指市电驱动（有线）电动工具或电池驱动（无线）电动工具。

工作场地的安全

1. 保持工作场地清洁和明亮。杂乱和黑暗的场地会引发事故。
2. 不要在易爆环境，如有易燃液体、气体或粉尘的环境下操作电动工具。电动工具产生的火花会点燃粉尘或气体。

3. 操作电动工具时，远离儿童和旁观者。注意力不集中会使你失去对工具的控制。

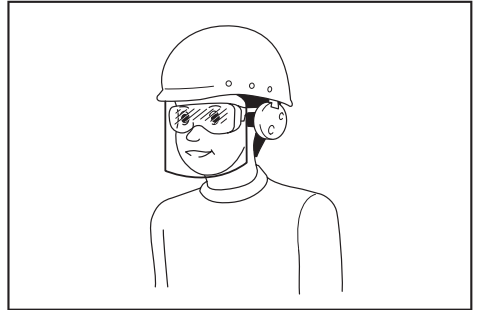
电气安全

1. 电动工具插头必须与插座相配。绝不能以任何方式改装插头。需接地的电动工具不能使用任何转换插头。未经改装的插头和相配的插座将降低电击风险。
2. 避免人体接触接地表面，如管道、散热片和冰箱。如果你身体接触接地表面会增加电击风险。
3. 不得将电动工具暴露在雨中或潮湿环境中。水进入电动工具将增加电击风险。
4. 不得滥用软线。绝不能用软线搬运、拉动电动工具或拔出其插头。使软线远离热源、油、锐边或运动部件。受损或缠绕的软线会增加电击风险。
5. 当在户外使用电动工具时，使用适合户外使用的延长线。适合户外使用的电线将降低电击风险。
6. 如果无法避免在潮湿环境中操作电动工具，应使用带有剩余电流装置（RCD）保护的电源。RCD的使用可降低电击风险。
7. 电动工具会产生对用户无害的电磁场（EMF）。但是，起搏器和其他类似医疗设备的用户应在操作本电动工具前咨询其设备的制造商和/或医生寻求建议。

人身安全

1. 保持警觉，当操作电动工具时关注所从事的操作并保持清醒。当你感到疲倦，或在有药物、酒精或治疗反应时，不要操作电动工具。在操作电动工具时瞬间的疏忽会导致严重人身伤害。
2. 使用个人防护装置。始终佩戴护目镜。防护装置，诸如适当条件下使用防尘面具、防滑安全鞋、安全帽、听力防护等装置能减少人身伤害。
3. 防止意外起动。在连接电源和/或电池包、拿起或搬运工具前确保开关处于关闭位置。手指放在开关上搬运工具或开关处于接通时通电会导致危险。
4. 在电动工具接通之前，拿掉所有调节钥匙或扳手。遗留在电动工具旋转零件上的扳手或钥匙会导致人身伤害。
5. 手不要过分伸展。时刻注意立足点和身体平衡。这样能在意外情况下能更好地控制住电动工具。
6. 着装适当。不要穿宽松衣服或佩戴饰品。让你的头发和衣服远离运动部件。宽松衣服、佩饰或长发可能会卷入运动部件。

7. 如果提供了与排屑、集尘设备连接用的装置，要确保其连接完好且使用得当。使用集尘装置可降低尘屑引起的危险。
8. 不要因为频繁使用工具而产生的熟悉感而掉以轻心，忽视工具的安全准则。某个粗心的动作可能在瞬间导致严重的伤害。
9. 使用电动工具时请始终佩戴护目镜以免伤害眼睛。护目镜须符合美国ANSI Z87.1、欧洲EN 166或者澳大利亚/新西兰的AS/NZS 1336的规定。在澳大利亚/新西兰，法律要求佩戴面罩保护脸部。



雇主有责任监督工具操作者和其他近工作区域人员佩戴合适的安全防护设备。

电动工具使用和注意事项

1. 不要勉强使用电动工具，根据用途使用合适的电动工具。选用合适的按照额定值设计的电动工具会使你工作更有效、更安全。
2. 如果开关不能接通或关断电源，则不能使用该电动工具。不能通过开关来控制的电动工具是危险的且必须进行修理。
3. 在进行任何调节、更换附件或贮存电动工具之前，必须从电源上拔掉插头和/或卸下电池包（如可拆卸）。这种防护性的安全措施降低了电动工具意外起动的风险。
4. 将闲置不用的电动工具贮存在儿童所及范围之外，并且不允许不熟悉电动工具和不了解这些说明的人操作电动工具。电动工具在未经培训的使用者手中是危险的。
5. 维护电动工具及其附件。检查运动部件是否调整到位或卡住，检查零件破损情况和影响电动工具运行的其他状况。如有损坏，应在使用前修理好电动工具。许多事故是由维护不良的电动工具引发的。

- 保持切削刀具锋利和清洁。维护良好地有锋利切削刃的刀具不易卡住而且容易控制。
- 按照使用说明书，并考虑作业条件和要进行的作业来选择电动工具、附件和工具的刀头等。将电动工具用于那些与其用途不符的操作可能会导致危险情况。
- 保持手柄和握持表面干燥、清洁，不得沾有油脂。在意外的情况下，湿滑的手柄不能保证握持的安全和对工具的控制。
- 使用本工具时，请勿佩戴可能会缠绕的布质工作手套。布质工作手套卷入移动部件可能会造成人身伤害。

电池式工具使用和注意事项

- 仅使用生产者规定的充电器充电。将适用于某种电池包的充电器用到其他电池包时可能会发生着火危险。
- 仅使用配有专用电池包的电动工具。使用其他电池包可能会产生伤害和着火危险。
- 当电池包不用时，将它远离其他金属物体，例如回形针、硬币、钥匙、钉子、螺钉或其他小金属物体，以防电池包一端与另一端连接。电池组端部短路可能会引起燃烧或着火。
- 在滥用条件下，液体可能会从电池组中溅出；应避免接触。如果意外碰到液体，用水冲洗。如果液体碰到了眼睛，还应寻求医疗帮助。从电池中溅出的液体可能会发生腐蚀或燃烧。
- 不要使用损坏或改装过的电池包或工具。损坏或改装过的电池组可能呈现无法预测的结果，导致着火、爆炸或伤害。
- 不要将电池包暴露于火或高温中。电池包暴露于火或高于130 °C的高温中可能导致爆炸。
- 遵循所有充电说明。不要在说明书中指定的温度范围之外给电池包或电动工具充电。不正确或在指定的温度范围外充电可能会损坏电池和增加着火的风险。

维修

- 让专业维修人员使用相同的备件维修电动工具。这将保证所维修的电动工具的安全。
- 决不能维修损坏的电池包。电池包仅能由生产者或其授权的维修服务商进行维修。
- 上润滑油及更换附件时请遵循本说明书指示。

充电式轨道抛光机安全警告

- 运行中的工具不可离手放置。只可在手握工具的情况下操作工具。
- 检查并确认工件被正确支撑。
- 请勿在任何含有石棉的材料上使用本工具。
- 操作之后，请勿立刻触摸支持垫盘上的螺栓。此时它可能会非常烫，易致皮肤灼伤。
- 使用前请确认垫盘上没有裂缝或破裂。如果工具不慎坠地，请检查确认工具未受损，然后以最大速度运行约1分钟以检查工具是否存在异常。裂缝或破裂会导致人身伤害。

请保留此说明书。

警告： 请勿为图方便或因对产品足够熟悉（由于重复使用而获得的经验）而不严格遵循相关产品安全规则。使用不当或不遵循使用说明书中的安全规则会导致严重的人身伤害。

电池组的重要安全注意事项

- 在使用电池组之前，请仔细阅读所有的说明以及（1）电池充电器，（2）电池，以及（3）使用电池的产品上的警告标记。
- 请勿拆解电池组。
- 如果机器运行时间变得过短，请立即停止使用。否则可能会导致过热、起火甚至爆炸。
- 如果电解液进入您的眼睛，请用清水将其冲洗干净并立即就医。否则可能会导致视力受损。
- 请勿使电池组短路：
 - 请勿使任何导电材料碰触到端子。
 - 避免将电池组与其他金属物品如钉子、硬币等放置在同一容器内。
 - 请勿将电池组置于水中或使其淋雨。电池短路将产生大的电流，导致过热，并可能导致起火甚至击穿。
- 请勿将工具和电池组置于温度可能达到或超过50 °C (122 °F) 的场所。
- 即使电池组已经严重损坏或完全磨损，也请勿焚烧电池组。电池组会在火中爆炸。
- 请小心，勿撞击电池或使其掉落。
- 请勿使用损坏的电池。

10. 本工具附带的锂离子电池需符合危险品法规要求。

第三方或转运营代理等进行商业运输时，应遵循包装和标识方面的特殊要求。有关运输项目的准备作业，咨询危险品方面的专业人士。同时，请遵守可能更为详尽的国家法规。

请使用胶带保护且勿遮掩表面的联络信息，并牢固封装电池，使电池在包装内不可动。

11. 丢弃电池组时，需将其从工具上卸下并在安全地带进行处理。关于如何处理废弃的电池，请遵循当地法规。
12. 仅将电池用于Makita（牧田）指定的产品。将电池安装至不兼容的产品会导致起火、过热、爆炸或电解液泄漏。
13. 如长时间未使用工具，必须将电池从工具内取出。

请保留此说明书。

小心： 请仅使用Makita（牧田）原装电池。使用非Makita（牧田）原装电池或经过改装的电池可能会导致电池爆炸，从而造成火灾、人身伤害或物品受损。同时也会导致牧田工具和充电器的牧田保修服务失效。

保持电池最大使用寿命的提示

1. 在电池组电量完全耗尽前及时充电。发现工具电量低时，请停止工具操作，并给电池组充电。
2. 请勿对已充满电的电池组重新充电。过度充电将缩短电池的使用寿命。
3. 请在10 °C - 40 °C (50 °F - 104 °F) 的室温条件下给电池组充电。请在灼热的电池组冷却后再充电。
4. 如果电池组长时间（超过六个月）未使用，请给其充电。

功能描述

小心： 调节或检查工具功能之前，请务必关闭工具的电源并取出电池组。

安装或拆卸电池组

小心： 安装或拆卸电池组之前，请务必关闭工具电源。

小心： 安装或拆卸电池组时请握紧工具和电池组。否则它们可能从您的手中滑落，导致工具和电池组受损，甚至造成人身伤害。

▶ 图片1: 1. 红色指示灯 2. 按钮 3. 电池组

拆卸电池组时，按下电池组前侧的按钮，同时将电池组从工具中抽出。

安装电池组时，要将电池组上的舌簧与外罩上的凹槽对齐，然后推滑到位。将其完全插入到位，直到电池组被锁定并发出卡嗒声为止。如果插入后仍能看到按钮上侧的红色指示灯，则说明电池组未完全锁紧。

小心： 务必完全装入电池组，直至看不见红色指示灯。否则它可能会意外从工具中脱落，从而造成自身或他人受伤。

小心： 请勿强行安装电池组。如果电池组难以插入，可能是插入方法不当。

显示电池的剩余电量

仅限带指示灯的电池组

▶ 图片2: 1. 指示灯 2. CHECK（查看）按钮
按电池组上的CHECK（查看）按钮可显示电池剩余电量。指示灯将亮起数秒。

指示灯			剩余电量
■ 点亮	□ 熄灭	▨ 闪烁	
■	■	■	75%至100%
■	■	□	50%至75%
■	□	□	25%至50%
■	□	□	0%至25%
▨	□	□	给电池充电。
■	□	□	电池可能出现故障。
□	□	■	

注：在不同的使用条件及环境温度下，指示灯所示电量可能与实际情况略有不同。

工具 / 电池保护系统

本工具配备有工具 / 电池保护系统。该系统可自动切断电机电源以延长工具和电池寿命。作业时，如果工具或电池处于以下情况，工具将会自动停止运转。

过载保护

以导致异常高电流的方式操作工具或电池时，工具会自动停止运转，指示灯不闪烁。在这种情况下，请关闭工具并停止导致工具过载的应用操作。然后开启工具重新启动。

过热保护

工具或电池过热时，工具会自动停止运转。在这种情况下，请待工具和电池冷却后再开启工具。

过放电保护

电池电量不足时，本工具自动停止运转。此时，请取出工具中的电池并予以充电。

开关操作

⚠️小心：在将电池组插入工具之前，请务必检查开关扳机是否能扣动自如，松开时能否退回至“OFF”（关闭）位置。

⚠️小心：长时间使用时，可将开关锁定在“ON”（开启）位置，使操作更加舒适。将工具锁定在“ON”（开启）位置时请小心，务必牢固抓握工具。

⚠️小心：切勿在锁定按钮处于解锁状态时安装电池组。

⚠️小心：不再操作工具时，从A侧按下扳机锁按钮，将开关扳机锁定在关位置。

▶ **图片3：** 1. 扳机锁按钮

▶ **图片4：** 1. 开关扳机 2. 锁定按钮 3. 扳机锁按钮

为避免使用者不小心扣动开关扳机，本工具采用扳机锁按钮。要启动工具时，从A侧按下扳机锁按钮，然后扣动开关扳机即可。随着在开关扳机上施加压力的增大，工具速度会提高。松开开关扳机工具即停止。使用之后，从B侧按下扳机锁按钮。

需长时间操作时，请在按住开关扳机的同时按下锁定按钮，然后再松开开关扳机。要停止工具时，可将开关扳机扣到底，然后松开。

转速调节刻度盘

▶ **图片5：** 1. 转速调节刻度盘

可通过在1至5范围内转动转速调节刻度盘至指定值来改变工具转速。当朝数字5方向旋转刻度盘时，转速递增。当朝数字1方向旋转刻度盘时，转速递减。

有关刻度盘上的数值设定和转速的对应关系，请参阅下表。

普通模式

数值	每分钟 钟回转数	强制旋转模式下垫片 每分钟旋转速度
1	1,600	180
2	2,500	290
3	4,000	460
4	5,600	650
5	6,800	780

精抛模式

数值	每分钟 钟回转数	强制旋转模式下垫片 每分钟旋转速度
1	1,600	180
2	2,200	250
3	3,300	380
4	4,400	500
5	5,200	600

注意：如工具长时间低速连续运行，电机会发生过载现象，造成工具故障。

注意：转速调节刻度盘只能在1和5之间调节。请勿用强力将其拨至超过1或5的位置，否则调速功能可能会失灵。

选择动作模式

转动变换钮以改变旋转模式。

▶ **图片6：** 1. 变换钮

注意：务必完全转动旋钮。如果旋钮处于中间位置，则无法启动工具。

注意：工具开启时无法改变动作模式。

强制旋转模式

► 图片7: 1. 变换钮

强制旋转模式是一种强制垫片旋转以进行粗抛光等表面处理的轨道操作。

逆时针旋转变换钮可进行强制旋转模式的轨道操作。

自由旋转模式

► 图片8: 1. 变换钮

自由旋转模式是一种让垫片自由旋转以进行精细抛光的轨道操作。

顺时针旋转变换钮可转换至自由旋转模式。

精抛模式

在精抛模式下，操作工具时无需过度施压。该模式适合最终抛光操作。

使用该模式时，请扣动并松开开关扳机以开启工具，然后按下模式切换按钮。指示灯呈绿色亮起。要返回至普通模式，请在工具开启状态下按下模式切换按钮。

► 图片9: 1. 指示灯 2. 模式切换按钮

注： 工具运行时无法切换模式。

防止意外重启功能

即使在扣住开关扳机或锁定开关扳机的情况下安装电池组，工具不会启动。要启动工具，请先松开开关扳机，然后再扣动开关扳机即可。

电子功能

本工具配备的电子功能易于操作，主要有下列特点。

恒速控制

即使在满载的情况下亦可保持旋转速度恒定，从而可实现良好的磨光效果。

软启动功能

抑制启动时的振动实现软启动。

装配

⚠️小心： 对工具进行任何装配操作前，请务必关闭工具电源，并取出电池组。

安装支持垫盘

► 图片10: 1. 六角扳手 2. 螺栓 3. 支持垫盘

将支持垫盘置于轴上，然后用六角扳手顺时针转动螺栓。

⚠️小心： 确保支持垫盘被正确紧固。松散的附件将会失去平衡并造成过度振动，从而导致失控。

侧把手的安装

选购附件

⚠️小心： 牢牢拧紧封盖或侧把手。否则前盖可能会跌落导致人身伤害。

► 图片11: 1. 盖子 2. 侧把手

取下盖子，并将侧把手牢固地拧紧在工具上。

可以将侧把手安装在工具的任一侧。

安装或拆卸垫片

选购附件

⚠️小心： 请仅使用抛光用的钩环型系统垫片。

► 图片12: 1. 垫片

安装垫片时，请先清除垫片钩环型系统和支持垫盘上的所有污垢和异物。安装垫片至支持垫盘，使两者的边缘对齐。

要从支持垫盘上拆下垫片时，只需向上从其边缘拉出。

⚠️小心： 确保垫片和支持垫盘对齐并牢固安装。否则垫片将造成会过度振动，引起失控或垫片飞出工具。

操作

⚠️小心： 请仅使用抛光用的牧田原装垫片（选购附件）。

⚠️小心： 确保牢固固定加工材料。落下的物体可能会造成人身伤害。

⚠️小心： 操作本工具时请用一只手牢牢抓住开关手柄，另一只手紧握前把手（或侧把手）。

⚠️小心： 请勿在高负载的情况下过长时间运转工具。否则可能会造成工具故障，引起触电、火灾和 / 或严重伤害。

⚠️小心： 请勿触摸旋转部件。

⚠️小心： 在操作工具前，请确保侧把手或封盖已固定牢靠。如果侧把手或封盖松动，则前盖可能会跌落，导致人身伤害。

注意： 切勿对工具用力过大压力过大。压力过大可能会降低抛光效率、损坏垫片或缩短工具寿命。

注意： 连续高速操作可能会损坏工件表面。

抛光操作

► 图片13

1. 表面处理（强制旋转模式）

使用羊绒抛光刷进行粗抛光，然后使用海绵垫进行精细抛光。

2. 打蜡（自由旋转模式）

使用海绵垫。将蜡涂抹在海绵垫或工作表面上。低速运行工具，使蜡分布均匀。

⚠️小心： 请勿涂抹过多的蜡或抛光剂。否则会产生过多的灰尘，并可能引起眼部或呼吸疾病。

注： 请先在工作表面的不显眼部分进行试打蜡。确保工具不会刮花表面或造成不均匀涂蜡。

3. 除蜡（自由旋转模式）

使用另外的海绵垫。运行工具，清除表面上的蜡。

4. 抛光（自由旋转模式）

在工作表面上轻轻覆以毛毡垫。

保养

⚠️小心： 检查或保养工具之前，请务必关闭工具电源并取出电池组。

注意： 切勿使用汽油、苯、稀释剂、酒精或类似物品清洁工具。否则可能会导致工具变色、变形或出现裂缝。

为了保证产品的安全与可靠性，维修、任何其他维修保养或调节需由Makita（牧田）授权的或工厂维修服务中心完成。务必使用Makita（牧田）的替换部件。

清洁防尘罩

► 图片14: 1. 防尘罩

定期清洁防尘罩吸风口以使空气可流畅流动。拆下防尘罩并清洁网眼。

选购附件

⚠️小心： 这些附件或装置专用于本说明书所列的Makita（牧田）工具。如使用其他厂牌附件或装置，可能导致人身伤害。仅可将附件或装置用于规定目的。

如您需要了解更多关于这些选购附件的信息，请咨询当地的Makita（牧田）维修服务中心。

- 侧把手
- 支持垫盘
- 羊绒抛光刷
- 海绵垫
- 毛毡垫
- Makita（牧田）原装电池和充电器

注： 本列表表中的一些部件可能作为标准配件包含于工具包装内。它们可能因销往国家之不同而异。

SPEKIFIKASI

Model:		DPO500	DPO600
Diameter bantalan belakang		123 mm	148 mm
Putaran per menit	Mode normal	0 - 6.800 min ⁻¹	
	Mode halus	0 - 5.200 min ⁻¹	
Panjang keseluruhan		530 mm	
Tegangan terukur		D.C. 18 V	
Berat bersih		3,1 - 3,6 kg	

- Karena kesinambungan program penelitian dan pengembangan kami, spesifikasi yang disebutkan di sini dapat berubah tanpa pemberitahuan.
- Spesifikasi dan kartrid baterai dapat berbeda dari satu negara ke negara lainnya.
- Berat alat mungkin berbeda tergantung perangkat tambahan yang dipasang, termasuk kartrid baterai. Kombinasi alat terberat dan teringan, sesuai Prosedur EPTA 01/2014, ditunjukkan pada tabel.

Kartrid dan pengisi daya baterai yang dapat digunakan

Kartrid baterai	BL1815N / BL1820 / BL1820B / BL1830 / BL1830B / BL1840 / BL1840B / BL1850 / BL1850B / BL1860B
Pengisi daya	DC18RC / DC18RD / DC18RE / DC18SD / DC18SE / DC18SF

- Beberapa kartrid baterai dan pengisi daya yang tercantum di atas mungkin tidak tersedia, tergantung wilayah tempat tinggal Anda.

⚠ PERINGATAN: Hanya gunakan kartrid dan pengisi daya baterai yang tercantum di atas. Penggunaan kartrid dan pengisi daya baterai lain dapat menimbulkan risiko cedera dan/atau kebakaran.

Simbol

Berikut ini adalah simbol-simbol yang digunakan pada peralatan ini. Pastikan Anda mengerti makna masing-masing simbol sebelum menggunakan alat.



Baca petunjuk penggunaan.



Ni-MH
Li-Ion

Hanya untuk negara-negara UE
Jangan membuang peralatan listrik atau paket baterai bersama-sama dengan bahan limbah rumah tangga!
Dengan memerhatikan Petunjuk Eropa, tentang Limbah Peralatan Listrik dan Elektronik serta Baterai dan Akumulator serta Limbah Baterai dan Akumulator dan pelaksanaannya sesuai dengan ketentuan hukum nasional, peralatan listrik dan baterai dan paket baterai yang telah habis umur pakainya harus dikumpulkan secara terpisah dan dikembalikan ke fasilitas daur ulang yang kompatibel secara lingkungan.

Penggunaan

Mesin ini digunakan untuk memoles.

PERINGATAN KESELAMATAN

Peringatan keselamatan umum mesin listrik

⚠ PERINGATAN: Bacalah semua peringatan keselamatan, petunjuk, ilustrasi dan spesifikasi yang disertakan bersama mesin listrik ini. Kelalaian untuk mematuhi semua petunjuk yang tercantum di bawah ini dapat menyebabkan sengatan listrik, kebakaran dan/atau cedera serius.

Simpanlah semua peringatan dan petunjuk untuk acuan di masa depan.

Istilah "mesin listrik" dalam semua peringatan mengacu pada mesin listrik yang dijalankan dengan sumber listrik jala-jala (berkabel) atau baterai (tanpa kabel).

Keselamatan tempat kerja

1. **Jaga tempat kerja selalu bersih dan berpenerangan cukup.** Tempat kerja yang berantakan dan gelap mengundang kecelakaan.

2. **Jangan gunakan mesin listrik dalam lingkungan yang mudah meledak, misalnya jika ada cairan, gas, atau debu yang mudah menyala.** Mesin listrik menimbulkan bunga api yang dapat menyalakan debu atau uap tersebut.
3. **Jauhkan anak-anak dan orang lain saat menggunakan mesin listrik.** Bila perhatian terpecah, anda dapat kehilangan kendali.

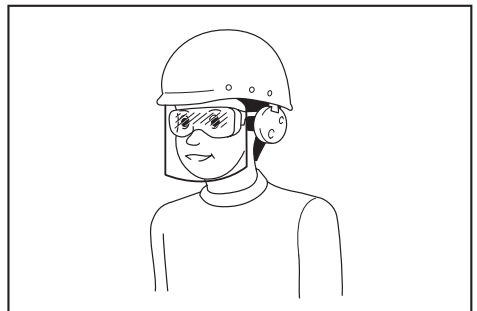
Keamanan Kelistrikan

1. **Steker mesin listrik harus cocok dengan stopkontak. Jangan sekali-kali mengubah steker dengan cara apa pun. Jangan menggunakan steker adaptor dengan mesin listrik terbumi (dibumikan).** Steker yang tidak diubah dan stopkontak yang cocok akan mengurangi risiko sengatan listrik.
2. **Hindari sentuhan tubuh dengan permukaan terbumi atau yang dibumikan seperti pipa, radiator, kompor, dan kulkas.** Risiko sengatan listrik bertambah jika tubuh Anda terbumikan atau dibumikan.
3. **Jangan membiarkan mesin listrik kehujanan atau kebasahan.** Air yang masuk ke dalam mesin listrik akan meningkatkan risiko sengatan listrik.
4. **Jangan menyalahgunakan kabel. Jangan sekali-kali menggunakan kabel untuk membawa, menarik, atau mencabut mesin listrik dari stopkontak. Jauhkan kabel dari panas, minyak, tepian tajam, atau bagian yang bergerak.** Kabel yang rusak atau kusut memperbesar risiko sengatan listrik.
5. **Bila menggunakan mesin listrik di luar ruangan, gunakan kabel ekstensi yang sesuai untuk penggunaan di luar ruangan.** Penggunaan kabel yang sesuai untuk penggunaan luar ruangan mengurangi risiko sengatan listrik.
6. **Jika mengoperasikan mesin listrik di lokasi lembap tidak terhindarkan, gunakan pasokan daya yang dilindungi peranti imbasan arus (residual current device - RCD).** Penggunaan RCD mengurangi risiko sengatan listrik.
7. **Mesin listrik dapat menghasilkan medan magnet (EMF) yang tidak berbahaya bagi pengguna.** Namun, pengguna alat pacu jantung atau peralatan medis sejenisnya harus berkonsultasi dengan produsen peralatan tersebut dan/atau dokter mereka sebelum mengoperasikan mesin listrik ini.

Keselamatan Diri

1. **Jaga kewaspadaan, perhatikan pekerjaan Anda dan gunakan akal sehat bila menggunakan mesin listrik. Jangan menggunakan mesin listrik saat Anda lelah atau di bawah pengaruh obat bius, alkohol, atau obat.** Sekejap saja lalai saat menggunakan mesin listrik dapat menyebabkan cedera badan serius.
2. **Gunakan alat pelindung diri. Selalu gunakan pelindung mata.** Peralatan pelindung seperti masker debu, sepatu pengaman anti-selip, helm pengaman, atau pelindung telinga yang digunakan untuk kondisi yang sesuai akan mengurangi risiko cedera badan.

3. **Cegah penyalaan yang tidak disengaja. Pastikan bahwa sakelar berada dalam posisi mati (off) sebelum menghubungkan mesin ke sumber daya dan/atau paket baterai, atau mengangkat atau membawanya.** Membawa mesin listrik dengan jari Anda pada sakelarnya atau mengalirkan listrik pada mesin listrik yang sakelarnya hidup (on) akan mengundang kecelakaan.
4. **Lepaskan kunci-kunci penyetel sebelum menghidupkan mesin listrik.** Kunci-kunci yang masih terpasang pada bagian mesin listrik yang berputar dapat menyebabkan cedera.
5. **Jangan meraih terlalu jauh. Jagalah pijakan dan keseimbangan sepanjang waktu.** Hal ini memungkinkan kendali yang lebih baik atas mesin listrik dalam situasi yang tidak diharapkan.
6. **Kenakan pakaian yang memadai. Jangan memakai pakaian yang longgar atau perhiasan. Jaga jarak antara rambut dan pakaian Anda dengan komponen mesin yang bergerak.** Pakaian yang longgar, perhiasan, atau rambut yang panjang dapat tersangkut pada komponen yang bergerak.
7. **Jika tersedia fasilitas untuk menghisap dan mengumpulkan debu, pastikan fasilitas tersebut terhubung listrik dan digunakan dengan baik.** Penggunaan pembersih debu dapat mengurangi bahaya yang terkait dengan debu.
8. **Jangan sampai Anda lengah dan mengabaikan prinsip keselamatan mesin ini hanya karena sudah sering mengoperasikannya dan sudah merasa terbiasa.** Tindakan yang lalai dapat menyebabkan cedera berat dalam sepersekian detik saja.
9. **Selalu kenakan kacamata pelindung untuk melindungi mata dari cedera saat menggunakan mesin listrik. Kacamata harus sesuai dengan ANSI Z87.1 di Amerika Serikat, EN 166 di Eropa, atau AS/NZS 1336 di Australia/Selandia Baru. Di Australia/Selandia Baru, secara hukum Anda juga diwajibkan mengenakan pelindung wajah untuk melindungi wajah Anda.**



Menjadi tanggung jawab atasan untuk menerapkan penggunaan alat pelindung keselamatan yang tepat bagi operator mesin dan orang lain yang berada di area kerja saat itu.

Penggunaan dan pemeliharaan mesin listrik

1. **Jangan memaksa mesin listrik. Gunakan mesin listrik yang tepat untuk keperluan Anda.** Mesin listrik yang tepat akan menuntaskan pekerjaan dengan lebih baik dan aman pada kecepatan sesuai rancangannya.
2. **Jangan gunakan mesin listrik jika sakelar tidak dapat menyala dan mematkannya.** Mesin listrik yang tidak dapat dikendalikan dengan sakelarnya adalah berbahaya dan harus diperbaiki.
3. **Cabut steker dari sumber listrik dan/atau lepas paket baterai, jika dapat dilepas, dari mesin listrik sebelum melakukan penyetulan apa pun, mengganti aksesoris, atau menyimpan mesin listrik.** Langkah keselamatan preventif tersebut mengurangi risiko hidupnya mesin secara tak sengaja.
4. **Simpan mesin listrik jauh dari jangkauan anak-anak dan jangan biarkan orang yang tidak paham mengenai mesin listrik tersebut atau petunjuk ini menggunakan mesin listrik.** Mesin listrik sangat berbahaya di tangan pengguna yang tak terlatih.
5. **Rawatlah mesin listrik dan aksesoris. Periksa apakah ada komponen bergerak yang tidak lurus atau macet, komponen yang pecah, dan kondisi-kondisi lain yang dapat memengaruhi pengoperasian mesin listrik. Jika rusak, perbaiki mesin listrik terlebih dahulu sebelum digunakan.** Banyak kecelakaan disebabkan oleh kurangnya pemeliharaan mesin listrik.
6. **Jaga agar mesin pemotong tetap tajam dan bersih.** Mesin pemotong yang terawat baik dengan mata pemotong yang tajam tidak mudah macet dan lebih mudah dikendalikan.
7. **Gunakan mesin listrik, aksesoris, dan mata mesin, dll. sesuai dengan petunjuk ini, dengan memperhitungkan kondisi kerja dan jenis pekerjaan yang dilakukan.** Penggunaan mesin listrik untuk penggunaan yang lain dari peruntukan dapat menimbulkan situasi berbahaya.
8. **Jagalah agar gagang dan permukaan pegangan tetap kering, bersih, dan bebas dari minyak dan pelumas.** Gagang dan permukaan pegangan yang licin tidak mendukung keamanan penanganan dan pengendalian mesin dalam situasi-situasi tak terduga.
9. **Ketika menggunakan mesin, jangan menggunakan sarung tangan kain yang dapat tersangkut.** Sarung tangan kain yang tersangkut pada komponen bergerak dapat mengakibatkan cedera pada pengguna.

Penggunaan dan pemeliharaan mesin bertenaga baterai

1. **Isi ulang baterai hanya dengan pengisi daya yang ditentukan oleh pabrikan.** Pengisi daya yang cocok untuk satu jenis paket baterai dapat menimbulkan risiko kebakaran ketika digunakan untuk paket baterai yang lain.
2. **Gunakan mesin listrik hanya dengan paket baterai yang telah ditentukan secara khusus.** Penggunaan paket baterai lain dapat menimbulkan risiko cedera dan kebakaran.

3. **Ketika paket baterai tidak digunakan, jauhkan dari benda logam lain, seperti penjepit kertas, uang logam, kunci, paku, sekrup atau benda logam kecil lainnya, yang dapat menghubungkan satu terminal ke terminal lain.** Hubungan singkat terminal baterai dapat menyebabkan luka bakar atau kebakaran.
4. **Pemakaian yang salah, dapat menyebabkan keluarnya cairan dari baterai; hindari kontak. Jika terjadi kontak secara tidak sengaja, bilas dengan air. Jika cairan mengenai mata, cari bantuan medis.** Cairan yang keluar dari baterai bisa menyebabkan iritasi atau luka bakar.
5. **Jangan menggunakan paket baterai atau mesin yang sudah rusak atau telah diubah.** Baterai yang rusak atau telah diubah dapat menyebabkan hal-hal yang tidak dapat diprediksi yang dapat menyebabkan kebakaran, ledakan atau risiko cedera.
6. **Jangan membiarkan paket baterai atau mesin dekat dengan api atau suhu yang berlebihan.** Paparan api atau suhu di atas 130 °C dapat menyebabkan ledakan.
7. **Ikuti semua petunjuk pengisian daya dan jangan mengisi daya paket baterai atau mesin di luar rentang suhu yang ditentukan di panduan.** Mengisi daya secara tidak tepat atau pada suhu di luar rentang yang ditentukan dapat merusak baterai dan meningkatkan risiko kebakaran.

Servis

1. **Berikan mesin listrik untuk diperbaiki hanya kepada oleh teknisi yang berkualifikasi dengan menggunakan hanya suku cadang pengganti yang serupa.** Hal ini akan menjamin terjaganya keamanan mesin listrik.
2. **Jangan pernah memperbaiki paket baterai yang sudah rusak.** Perbaikan paket baterai harus dilakukan hanya oleh produsen atau penyedia servis resmi.
3. **Patuhi petunjuk pelumasan dan penggantian aksesoris.**

Peringatan keselamatan mesin pemoles acak tanpa kabel

1. **Jangan tinggalkan mesin dalam keadaan hidup. Jalankan mesin hanya ketika digenggam tangan.**
2. **Periksa apakah benda kerja telah ditopang dengan baik.**
3. **Jangan menggunakan mesin pada bahan yang mengandung asbestos.**
4. **Jangan menyentuh baut bantalan belakang sesaat setelah pengoperasian.** Suhunya mungkin masih sangat panas dan dapat membakar kulit Anda.

5. Pastikan bahwa tidak ada retakan atau kerusakan pada bantalan sebelum penggunaan. Jika Anda menjatuhkan mesin, periksa apakah tidak terdapat kerusakan dan jalankan mesin selama kira-kira 1 menit pada kecepatan maksimal tanpa muatan untuk memeriksa apakah tidak terdapat kelainan pada mesin. Retakan atau kerusakan bisa menyebabkan cedera.

SIMPAN PETUNJUK INI.

⚠️PERINGATAN: JANGAN biarkan kenyamanan atau terbiasanya Anda dengan produk (karena penggunaan berulang) mengurangi kepatuhan yang ketat terhadap aturan keselamatan untuk produk yang terkait. PENYALAHGUNAAN atau kelalaian mematuhi kaidah keselamatan yang tertera dalam petunjuk ini dapat menyebabkan cedera badan serius.

Petunjuk keselamatan penting untuk kartrid baterai

1. Sebelum menggunakan kartrid baterai, bacalah semua petunjuk dan penandaan pada (1) pengisi daya baterai, (2) baterai, dan (3) produk yang menggunakan baterai.
2. Jangan membongkar kartrid baterai.
3. Jika waktu beroperasinya menjadi sangat singkat, segera hentikan penggunaan. Hal tersebut dapat menimbulkan risiko panas berlebih, kemungkinan mengalami luka bakar atau bahkan terjadi ledakan.
4. Jika elektrolit mengenai mata Anda, basuh dengan air bersih dan segera cari pertolongan medis. Hal tersebut dapat mengakibatkan hilangnya kemampuan penglihatan Anda.
5. Jangan menghubungkan terminal kartrid baterai:
 - (1) Jangan menyentuh terminal dengan bahan penghantar listrik apa pun.
 - (2) Hindari menyimpan kartrid baterai pada wadah yang berisi benda logam lain seperti paku, uang logam, dsb.
 - (3) Jangan membiarkan baterai terkena air atau keuhujan.Hubungan singkat baterai dapat menyebabkan aliran arus listrik yang besar, panas berlebih, kemungkinan mengalami luka bakar dan bahkan kerusakan pada baterai.
6. Jangan menyimpan mesin dan kartrid baterai pada lokasi dengan suhu yang bisa mencapai atau melebihi 50 °C.
7. Jangan membuang kartrid baterai di tempat pembakaran sampah walaupun benar-benar rusak atau tidak bisa digunakan sama sekali. Kartrid baterai bisa meledak jika terbakar.
8. Berhati-hatilah jangan sampai baterai jatuh atau terbentur.
9. Jangan menggunakan baterai yang rusak.

10. **Baterai litium-ion yang disertakan sesuai dengan persyaratan Perundangan Makanan Berbahaya.**

Harus ada pengawasan untuk pengangkutan komersial misalnya oleh pihak ketiga, ekspeditor, persyaratan khusus terhadap pengemasan dan pelabelan.

Diperlukan adanya konsultasi dengan ahli mengenai material berbahaya untuk persiapan barang yang akan dikirimkan. Perhatikan pula peraturan nasional yang lebih terperinci yang mungkin ada.

Beri perekat atau tutupi bagian yang terbuka dan kemasi baterai dengan cara yang tidak akan menimbulkan pergeseran dalam pengemasan.
11. **Ketika membuang kartrid baterai, lepaskan dari mesin dan buang ke tempat yang aman. Patuhi peraturan setempat yang berkaitan dengan pembuangan baterai.**
12. **Gunakan baterai hanya dengan produk yang ditentukan oleh Makita.** Memasang baterai pada produk yang tidak sesuai dapat menyebabkan kebakaran, kelebihan panas, ledakan, atau kebocoran elektrolit.
13. **Jika mesin tidak digunakan dalam jangka waktu yang lama, baterai harus dilepas dari mesin.**

SIMPAN PETUNJUK INI.

⚠️PERHATIAN: Gunakan baterai asli Makita. Penggunaan baterai Makita yang tidak asli, atau baterai yang sudah diubah, akan mengakibatkan baterai mudah terbakar, cedera dan kerusakan. Akan menghilangkan garansi Makita pada pengisi daya dan alat Makita.

Tip untuk menjaga agar umur pemakaian baterai maksimum

1. Isi ulang kartrid baterai sebelum habis sama sekali. Selalu hentikan penggunaan mesin dan ganti kartrid baterai jika Anda melihat bahwa mesin kurang tenaga.
2. Jangan pernah mengisi ulang kartrid baterai yang sudah diisi penuh. Pengisian ulang yang berlebih memperpendek umur pemakaian baterai.
3. Isi ulang kartrid baterai pada suhu ruangan 10 °C - 40 °C. Biarkan kartrid baterai yang panas menjadi dingin terlebih dahulu sebelum diisi ulang.
4. Isi ulang daya kartrid baterai jika Anda tidak menggunakannya untuk jangka waktu yang lama (lebih dari enam bulan).

DESKRIPSI FUNGSI

⚠️PERHATIAN: Selalu pastikan bahwa mesin dimatikan dan kartrid baterai dilepas sebelum menyatel atau memeriksa kerja mesin.

Memasang atau melepas baterai

⚠️ PERHATIAN: Selalu matikan mesin sebelum memasang atau melepas kartrid baterai.

⚠️ PERHATIAN: Pegang mesin dan kartrid baterai kuat-kuat saat memasang atau melepas kartrid baterai. Kelalaian untuk memegang mesin dan kartrid baterai kuat-kuat bisa menyebabkan keduanya tergelincir dari tangan Anda dan mengakibatkan kerusakan pada mesin dan kartrid baterai dan cedera diri.

- **Gbr.1:** 1. Indikator berwarna merah 2. Tombol
3. Kartrid baterai

Untuk melepas kartrid baterai, geser dari mesin sambil menggeser tombol pada bagian depan kartrid.

Untuk memasang kartrid baterai, sejajarkan lidah kartrid baterai dengan alur pada rumah dan masukkan ke dalam tempatnya. Masukkan seluruhnya sampai terkunci pada tempatnya dan terdengar bunyi klik kecil. Jika Anda bisa melihat indikator berwarna merah pada sisi atas tombol, berarti tidak terkunci sepenuhnya.

⚠️ PERHATIAN: Selalu pasang kartrid baterai sepenuhnya sampai indikator berwarna merah tidak terlihat. Jika tidak, bisa terlepas dari mesin secara tidak sengaja, menyebabkan luka pada Anda atau orang di sekitar Anda.

⚠️ PERHATIAN: Jangan memasang kartrid baterai secara paksa. Jika kartrid tidak bergeser dengan mudah, berarti tidak dimasukkan dengan benar.

Mengindikasikan kapasitas baterai yang tersisa

Hanya untuk kartrid baterai dengan indikator

- **Gbr.2:** 1. Lampu indikator 2. Tombol pemeriksaan

Tekan tombol pemeriksaan pada kartrid baterai untuk melihat kapasitas baterai yang tersisa. Lampu indikator menyala selama beberapa detik.

Lampu indikator			Kapasitas yang tersisa
Menyala	Mati	Berkedip	
■	□	◻	75% hingga 100%
■ ■ ■ ■			
■ ■ ■	□		50% hingga 75%
■ ■	□ □		25% hingga 50%
■	□ □ □		0% hingga 25%
◻	□ □ □		Isi ulang baterai.
■ ■ □ □	↑ ↓	□ □ ■ ■	Baterai mungkin sudah rusak.

CATATAN: Tergantung kondisi penggunaan dan suhu lingkungannya, penunjukkan mungkin saja sedikit berbeda dari kapasitas sebenarnya.

Sistem perlindungan mesin / baterai

Mesin ini dilengkapi dengan sistem perlindungan mesin/ baterai. Sistem ini memutus daya ke motor secara otomatis untuk memperpanjang umur pakai mesin dan baterai. Mesin akan berhenti secara otomatis saat dioperasikan jika mesin atau baterai mengalami salah satu dari kondisi-kondisi berikut ini:

Perlindungan kelebihan beban

Jika mesin atau baterai digunakan sedemikian rupa sehingga mesin menarik arus terlalu tinggi, mesin akan berhenti secara otomatis tanpa peringatan sebelumnya. Dalam situasi ini, matikan mesin dan hentikan pekerjaan yang menyebabkan mesin mengalami kelebihan beban. Kemudian, nyalakan mesin untuk kembali melanjutkan pekerjaan.

Perlindungan panas berlebih

Saat mesin atau baterai terlalu panas, mesin akan berhenti secara otomatis. Pada keadaan ini, tunggu hingga mesin dan baterai mendingin sebelum dinyalakan kembali.

Perlindungan pengisian daya berlebih


Ketika kapasitas baterai tidak cukup, mesin akan berhenti secara otomatis. Dalam kondisi ini, lepaskan baterai dari mesin dan isi ulang baterai.

Kerja sakelar

⚠️ PERHATIAN: Sebelum memasukkan kartrid baterai pada mesin, pastikan picu saklar berfungsi dengan baik dan kembali ke posisi "OFF" saat dilepas.

⚠️ PERHATIAN: Saklar bisa dikunci dalam posisi "ON" untuk memberi kenyamanan pada operator selama penggunaan terus-menerus. Selalu berhati-hati ketika mengunci mesin dalam posisi "ON" dan pegang mesin kuat-kuat.

⚠️ PERHATIAN: Jangan memasang kartrid baterai dengan tombol kunci terpasang.

⚠️ PERHATIAN: Saat mesin tidak dioperasikan, tekan tombol pengunci pelatuk dari sisi  untuk mengunci pelatuk sakelar di posisi MATI.

- **Gbr.3:** 1. Tombol pengunci pelatuk

- **Gbr.4:** 1. Pelatuk sakelar 2. Tombol kunci 3. Tombol pengunci pelatuk

Untuk mencegah pelatuk sakelar tertarik secara tidak sengaja, tersedia tombol pengunci pelatuk. Untuk menjalankan mesin, tekan tombol pengunci pelatuk dari sisi A (A) dan tarik pelatuk sakelar. Kecepatan mesin meningkat dengan menambah tekanan pada pelatuk sakelar. Lepaskan pelatuk sakelar untuk berhenti. Setelah selesai digunakan, tekan tombol pengunci pelatuk dari sisi B (B).

Untuk pengoperasian terus-menerus, tekan tombol kunci sambil menarik pelatuk sakelar, lalu lepaskan pelatuk sakelar. Untuk menghentikan mesin, tarik pelatuk sakelar sampai penuh, kemudian lepaskan.

Sakelar penyetel kecepatan

► **Gbr.5:** 1. Sakelar penyetel kecepatan

Kecepatan putaran bisa diubah dengan memutar saklar penyetel kecepatan ke setelan angka yang tersedia mulai dari 1 sampai 5. Kecepatan yang lebih tinggi diperoleh jika sakelar diputar ke arah angka 5. Dan kecepatan yang lebih rendah diperoleh jika diputar ke arah angka 1.

Silakan mengacu pada tabel tentang hubungan antara setelan angka pada saklar dan perkiraan kecepatan putaran.

Mode normal

Angka	Putaran per menit.	Putaran per menit bantalan dalam mode acak dengan putaran paksa
1	1.600	180
2	2.500	290
3	4.000	460
4	5.600	650
5	6.800	780

Mode halus

Angka	Putaran per menit.	Putaran per menit bantalan dalam mode acak dengan putaran paksa
1	1.600	180
2	2.200	250
3	3.300	380
4	4.400	500
5	5.200	600

PEMBERITAHUAN: Jika mesin dijalankan secara terus-menerus dengan kecepatan rendah dalam waktu yang lama, motor akan mengalami kelebihan beban dan mengakibatkan kerusakan mesin.

PEMBERITAHUAN: Sakelar penyetel kecepatan dapat diputar sampai maksimum angka 5 dan kembali ke 1. Jangan dipaksa melewati angka 5 atau 1, karena fungsi penyetelan kecepatan bisa tidak berfungsi lagi.

Memilih mode kerja

Putar knob pengubah untuk mengubah mode putaran.

► **Gbr.6:** 1. Knob pengubah

PEMBERITAHUAN: Selalu putar knob secara penuh. Apabila knob tidak diputar secara penuh, Anda tidak dapat menyalakan mesin.

PEMBERITAHUAN: Anda tidak dapat mengubah mode kerja saat mesin menyala.

Mode acak dengan putaran paksa

► **Gbr.7:** 1. Knob pengubah

Putaran acak dengan mode putaran paksa adalah sistem kerja berputar dengan putaran paksa bantalan untuk pemolesan kasar seperti perawatan permukaan. Putar knob pengubah berlawanan arah jarum jam untuk mengubah sistem kerja menjadi putaran acak dengan mode putaran paksa.

Mode acak

► **Gbr.8:** 1. Knob pengubah

Mode putaran acak adalah sistem kerja berputar dengan putaran bantalan bebas untuk pemolesan halus.

Putar knob pengubah searah jarum jam untuk mengubah sistem kerja menjadi acak.

Mode halus

Dalam mode halus, Anda dapat mengoperasikan mesin tanpa memberikan muatan berlebih. Mode ini sesuai untuk pengoperasian akhir.

Untuk menggunakan mesin pada mode halus, tarik pelatuk sakelar dan lepaskan untuk menyalakan mesin, lalu tekan tombol pengubah mode. Lampu menyala warna hijau. Untuk mengembalikan ke mode normal, tekan tombol pengubah mode saat mesin menyala.

► **Gbr.9:** 1. Lampu 2. Tombol pengubah mode

CATATAN: Anda tidak dapat mengubah mode saat mesin berjalan.

Fungsi pencegah penyalaan ulang secara tidak sengaja

Jika Anda memasang kartrid baterai sementara menarik pelatuk sakelar atau mengunci pelatuk sakelar, mesin tidak berjalan. Untuk menjalankan mesin, lepaskan pelatuk sakelar, lalu tarik pelatuk sakelar.

Fungsi elektronik

Mesin yang dilengkapi dengan fungsi elektronik mudah dioperasikan karena memiliki fitur-fitur berikut ini.

Kontrol kecepatan konstan

Memungkinkan untuk memperoleh pengerjaan akhir yang halus, karena kecepatan putaran dipertahankan agar konstan bahkan dalam kondisi di beri beban.

Fitur awal pengerjaan yang lembut

Awal pengerjaan yang lembut karena adanya peredaman kejutan awal.

PERAKITAN

PERHATIAN: Selalu pastikan bahwa mesin dimatikan dan kartrid baterai dilepas sebelum melakukan pekerjaan apa pun pada mesin.

Memasang bantalan belakang

► **Gbr.10:** 1. Kunci L 2. Baut 3. Bantalan belakang

Pasang bantalan belakang pada poros lalu putar baut searah jarum jam menggunakan kunci L.

PERHATIAN: Pastikan bantalan belakang terpasang dengan benar. Perangkat tambahan yang longgar akan kehilangan keseimbangan dan menimbulkan getaran berlebihan yang dapat menyebabkan kehilangan kendali.

Memasang gagang sisi

Pilihan aksesoris

PERHATIAN: Kencangkan tutup atau gagang sisi dengan kuat. Jika tidak, penutup depan dapat jatuh dan menyebabkan cedera.

► **Gbr.11:** 1. Tutup 2. Gagang sisi

Lepas tutup, kemudian pasang gagang sisi pada mesin menggunakan sekrup dengan kuat. Gagang sisi dapat dipasang pada salah satu sisi mesin.

Memasang atau melepas bantalan

Pilihan aksesoris

PERHATIAN: Hanya gunakan bantalan dengan sistem pengait untuk memoles.

► **Gbr.12:** 1. Bantalan

Untuk memasang bantalan, pertama-tama bersihkan semua kotoran serta benda asing dari sistem pengait bantalan serta bantalan belakang. Pasang bantalan pada bantalan belakang sehingga kedua ujungnya sejajar.

Untuk melepas bantalan dari bantalan belakang, cukup cabut dari bagian tepinya.

PERHATIAN: Pastikan bantalan serta bantalan belakang sejajar dan terpasang dengan kuat. Bila tidak, bantalan akan menyebabkan getaran berlebihan yang dapat menyebabkan hilangnya kendali atau dapat menyebabkan bantalan terlempar dari mesin.

PENGUNAAN

PERHATIAN: Hanya gunakan bantalan asli Makita untuk memoles (aksesori pilihan).

PERHATIAN: Pastikan benda kerja dikencangkan dan dalam posisi yang stabil. Benda yang terjatuh dapat menyebabkan cedera diri.

PERHATIAN: Pegang mesin kuat-kuat dengan satu tangan pada pegangan saklar sementara tangan yang lain pada gagang depan (atau gagang samping) ketika menjalankan mesin.

PERHATIAN: Jangan nyalakan mesin pada beban tinggi terlalu lama. Hal tersebut dapat mengakibatkan kerusakan fungsi mesin yang mengakibatkan sengatan listrik, kebakaran, dan/atau cedera serius.

PERHATIAN: Jangan menyentuh bagian yang berputar.

PERHATIAN: Sebelum mengoperasikan mesin, pastikan gagang sisi atau tutup tidak kendur. Jika gagang sisi atau tutup kendur, penutup depan dapat jatuh dan menyebabkan cedera.

PEMBERITAHUAN: Jangan sekali-kali menekan mesin. Tekanan yang berlebihan dapat menyebabkan efisiensi pemolesan menurun, kerusakan pada bantalan, atau pemendekan umur mesin.

PEMBERITAHUAN: Penggunaan terus-menerus pada kecepatan tinggi dapat merusak permukaan kerja.

Pekerjaan pemolesan

► **Gbr.13**

1. Perawatan permukaan (Putaran acak dengan mode putaran paksa)

Gunakan bantalan wol untuk pengerjaan akhir kasar lalu gunakan bantalan spons untuk pengerjaan akhir halus.

2. Pemberian bahan poles (Mode putaran acak)

Gunakan bantalan spons. Beri bahan poles pada bantalan spons atau permukaan kerja. Jalankan mesin pada kecepatan rendah untuk meratakan bahan poles.

PERHATIAN: Jangan berikan bahan poles atau agen poles terlalu banyak. Hal tersebut dapat menyebabkan debu yang menempel semakin banyak dan dapat menyebabkan penyakit mata atau saluran pernapasan.

CATATAN: Pertama-tama, lakukan pengujian pemberian bahan poles pada bagian permukaan kerja yang tidak menarik perhatian. Pastikan mesin tidak akan menggores permukaan benda kerja atau mengakibatkan polesan yang tidak rata.

3. Menghilangkan bahan poles (Mode putaran acak)

Gunakan bantalan spons lain. Jalankan mesin untuk membuang sisa-sisa bahan poles.

4. Memoles (Mode putaran acak)

Pasang bantalan bulu kempa secara perlahan pada permukaan kerja.

PERAWATAN

⚠️PERHATIAN: Selalu pastikan bahwa mesin dimatikan dan kartrid baterai dilepas sebelum melakukan pemeriksaan atau perawatan.

PEMBERITAHUAN: Jangan sekali-kali menggunakan bensin, tiner, alkohol, atau bahan sejenisnya. Penggunaan bahan demikian dapat menyebabkan perubahan warna, perubahan bentuk atau timbulnya retakan.

Untuk menjaga KEAMANAN dan KEANDALAN mesin, perbaikan, perawatan atau penyetelan lainnya harus dilakukan oleh Pusat Layanan Resmi atau Pabrik Makita; selalu gunakan suku cadang pengganti buatan Makita.

Membersihkan penutup debu

► **Gbr.14:** 1. Penutup debu

Bersihkan penutup debu pada ventilasi penyerapan secara teratur agar sirkulasi udara lancar. Lepaskan penutup debu lalu bersihkan lubang tersebut.

AKSESORI PILIHAN

⚠️PERHATIAN: Dianjurkan untuk menggunakan aksesoris atau perangkat tambahan ini dengan mesin Makita Anda yang ditentukan dalam petunjuk ini. Penggunaan aksesoris atau perangkat tambahan lain bisa menyebabkan risiko cedera pada manusia. Hanya gunakan aksesoris atau perangkat tambahan sesuai dengan peruntukannya.

Jika Anda memerlukan bantuan lebih rinci berkenaan dengan aksesoris ini, tanyakan pada Pusat Layanan Makita terdekat.

- Gagang sisi
- Bantalan belakang
- Bantalan wol
- Bantalan spons
- Bantalan bulu kempa
- Baterai dan pengisi daya asli buatan Makita

CATATAN: Beberapa item dalam daftar tersebut mungkin sudah termasuk dalam paket mesin sebagai aksesoris standar. Hal tersebut dapat berbeda dari satu negara ke negara lainnya.

THÔNG SỐ KỸ THUẬT

Kiểu máy:	DPO500	DPO600
Đường kính tấm đặt lót	123 mm	148 mm
Vòng xoay mỗi phút	Chế độ bình thường	0 - 6.800 min ⁻¹
	Chế độ hoàn thiện	0 - 5.200 min ⁻¹
Tổng chiều dài	530 mm	
Điện áp định mức	D.C. 18 V	
Khối lượng tịnh	3,1 - 3,6 kg	

- Do chương trình nghiên cứu và phát triển liên tục của chúng tôi nên các thông số kỹ thuật trong đây có thể thay đổi mà không cần thông báo trước.
- Các thông số kỹ thuật và hộp pin có thể thay đổi tùy theo từng quốc gia.
- Khối lượng có thể khác nhau tùy thuộc vào (các) phụ kiện, bao gồm cả hộp pin. Tổ hợp nhẹ nhất và nặng nhất, theo Quy trình EPTA 01/2014, được trình bày trong bảng.

Hộp pin và sạc pin có thể áp dụng

Hộp pin	BL1815N / BL1820 / BL1820B / BL1830 / BL1830B / BL1840 / BL1840B / BL1850 / BL1850B / BL1860B
Bộ sạc	DC18RC / DC18RD / DC18RE / DC18SD / DC18SE / DC18SF

- Một số hộp pin và sạc pin được nêu trong danh sách ở trên có thể không khả dụng tùy thuộc vào khu vực cư trú của bạn.

⚠ CẢNH BÁO: Chỉ sử dụng hộp pin và sạc pin được nêu trong danh sách ở trên. Việc sử dụng bất cứ hộp pin và sạc pin nào khác có thể gây ra thương tích và/hoặc hỏa hoạn.

Ký hiệu

Phần dưới đây cho biết các ký hiệu được dùng cho thiết bị. Đảm bảo rằng bạn hiểu rõ ý nghĩa của các ký hiệu này trước khi sử dụng.



Đọc tài liệu hướng dẫn.



Ni-MH
Li-Ion

Chỉ dành cho các quốc gia EU
Không thải bỏ thiết bị điện hoặc bộ pin cùng với các chất thải sinh hoạt!
Đề tuân thủ các Chỉ thị của Châu Âu về thiết bị điện và điện tử thải bỏ, và về pin và ắc quy và pin và ắc quy thải bỏ, và thi hành những chỉ thị này phù hợp với luật lệ quốc gia, các thiết bị điện tử và pin và (các) bộ pin không còn sử dụng được nữa phải được thu nhặt riêng và đưa trở lại một cơ sở tái chế tương thích với môi trường.

Mục đích sử dụng

Dụng cụ này được dùng để đánh bóng.

CẢNH BÁO AN TOÀN

Cảnh báo an toàn chung dành cho dụng cụ máy

⚠ CẢNH BÁO: Xin đọc tất cả các cảnh báo an toàn, hướng dẫn, minh họa và thông số kỹ thuật đi kèm với dụng cụ máy này. Việc không tuân theo các hướng dẫn được liệt kê dưới đây có thể dẫn đến điện giật, hỏa hoạn và/hoặc thương tích nghiêm trọng.

Lưu giữ tất cả cảnh báo và hướng dẫn để tham khảo sau này.

Thuật ngữ “dụng cụ máy” trong các cảnh báo đề cập đến dụng cụ máy (có dây) được vận hành bằng nguồn điện chính hoặc dụng cụ máy (không dây) được vận hành bằng pin của bạn.

An toàn tại nơi làm việc

1. **Giữ nơi làm việc sạch sẽ và có đủ ánh sáng.**
Nơi làm việc bừa bộn hoặc tối thường dễ gây ra tai nạn.
2. **Không vận hành dụng cụ máy trong môi trường cháy nổ, ví dụ như môi trường có sự hiện diện của các chất lỏng, khí hoặc bụi dễ cháy.** Các dụng cụ máy tạo tia lửa điện có thể làm bụi hoặc khí bốc cháy.

- Giữ trẻ em và người ngoài tránh xa nơi làm việc khi đang vận hành dụng cụ máy. Sự xao lãng có thể khiến bạn mất khả năng kiểm soát.

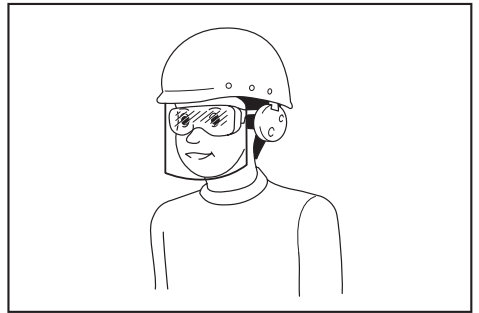
An toàn về Điện

- Phích cắm của dụng cụ máy phải khớp với ổ cắm. Không được sửa đổi phích cắm theo bất kỳ cách nào. Không sử dụng bất kỳ phích cắm chuyên đổi nào với các dụng cụ máy được nối đất (tiếp đất). Các phích cắm còn nguyên vẹn và ổ cắm phù hợp sẽ giảm nguy cơ điện giật.
- Tránh để cơ thể tiếp xúc với các bề mặt nóng hoặc tiếp đất như đường ống, bộ tản nhiệt, bếp ga và tủ lạnh. Nguy cơ bị điện giật sẽ tăng lên nếu cơ thể bạn được nối đất hoặc tiếp đất.
- Không để dụng cụ máy tiếp xúc với mưa hoặc trong điều kiện ẩm ướt. Nước lọt vào dụng cụ máy sẽ làm tăng nguy cơ điện giật.
- Không lạm dụng dây điện. Không được phép sử dụng dây để mang, kéo hoặc tháo phích cắm dụng cụ máy. Giữ dây tránh xa nguồn nhiệt, dầu, các mép sắc hoặc các bộ phận chuyển động. Dây bị hỏng hoặc bị rối sẽ làm tăng nguy cơ điện giật.
- Khi vận hành dụng cụ máy ngoài trời, hãy sử dụng dây kéo dài phù hợp cho việc sử dụng ngoài trời sẽ giảm nguy cơ điện giật.
- Nếu bắt buộc phải vận hành dụng cụ máy ở nơi ẩm ướt, hãy sử dụng nguồn cấp điện được bảo vệ bằng thiết bị ngắt dòng điện rò (RCD). Việc sử dụng RCD sẽ làm giảm nguy cơ điện giật.
- Các dụng cụ máy có thể tạo ra từ trường điện (EMF) có hại cho người dùng. Tuy nhiên, người dùng máy trợ tim và những thiết bị y tế tương tự khác nên liên hệ với nhà sản xuất thiết bị và/hoặc bác sỹ để được tư vấn trước khi vận hành dụng cụ này.

An toàn Cá nhân

- Luôn tỉnh táo, quan sát những việc bạn đang làm và sử dụng những phán đoán theo kinh nghiệm khi vận hành dụng cụ máy. Không sử dụng dụng cụ máy khi bạn đang mệt mỏi hoặc chịu ảnh hưởng của ma túy, rượu hay thuốc. Chỉ một khoảnh khắc không tập trung khi đang vận hành dụng cụ máy cũng có thể dẫn đến thương tích cá nhân nghiêm trọng.
- Sử dụng thiết bị bảo hộ cá nhân. Luôn đeo thiết bị bảo vệ mắt. Các thiết bị bảo hộ như mặt nạ chống bụi, giày an toàn chống trượt, mũ bảo hộ hay thiết bị bảo vệ thính giác được sử dụng trong các điều kiện thích hợp sẽ giúp giảm thương tích cá nhân.
- Tránh vô tình khởi động dụng cụ máy. Đảm bảo công tắc ở vị trí off (tắt) trước khi nối nguồn điện và/hoặc bộ pin, cắm hoặc di chuyển dụng cụ máy. Việc di chuyển dụng cụ máy khi đang đặt ngón tay ở vị trí công tắc hoặc cấp điện cho dụng cụ máy đang bật thường dễ gây ra tai nạn.
- Tháo tất cả các khóa hoặc cờ lê điều chỉnh trước khi bật dụng cụ máy. Việc cờ lê hoặc khóa vẫn còn gắn vào bộ phận quay của dụng cụ máy có thể dẫn đến thương tích cá nhân.

- Không vởi quá cao. Luôn giữ thăng bằng tốt và có chỗ để chân phù hợp. Điều này cho phép điều khiển dụng cụ máy tốt hơn trong những tình huống bất ngờ.
- Ăn mặc phù hợp. Không mặc quần áo rộng hay đeo đồ trang sức. Giữ tóc và quần áo tránh xa các bộ phận chuyển động. Quần áo rộng, đồ trang sức hay tóc dài có thể mắc vào các bộ phận chuyển động.
- Nếu các thiết bị được cung cấp để kết nối các thiết bị thu gom và hút bụi, hãy đảm bảo chúng được kết nối và sử dụng hợp lý. Việc sử dụng thiết bị thu gom bụi có thể làm giảm những mối nguy hiểm liên quan đến bụi.
- Không vì quen thuộc do thường xuyên sử dụng các dụng cụ mà cho phép bạn trở nên tự mãn và bỏ qua các nguyên tắc an toàn dụng cụ. Một hành động bất cẩn có thể gây ra thương tích nghiêm trọng trong một phần của một giây.
- Luôn luôn mang kính bảo hộ để bảo vệ mắt khỏi bị thương khi đang sử dụng các dụng cụ máy. Kính bảo hộ phải tuân thủ ANSI Z87.1 ở Mỹ, EN 166 ở Châu Âu, hoặc AS/NZS 1336 ở Úc/New Zealand. Tại Úc/New Zealand, theo luật pháp, bạn cũng phải mang mặt nạ che mặt để bảo vệ mắt.



Trách nhiệm của chủ lao động là bắt buộc người vận hành dụng cụ và những người khác trong khu vực làm việc cạnh đó phải sử dụng các thiết bị bảo hộ an toàn thích hợp.

Sử dụng và bảo quản dụng cụ máy

- Không dùng lực đẩy với dụng cụ máy. Sử dụng đúng dụng cụ máy cho công việc của bạn. Sử dụng đúng dụng cụ máy sẽ giúp thực hiện công việc tốt hơn và an toàn hơn theo giá trị định mức được thiết kế của dụng cụ máy đó.
- Không sử dụng dụng cụ máy nếu công tắc không bật và tắt được dụng cụ máy đó. Mọi dụng cụ máy không thể điều khiển được bằng công tắc đều rất nguy hiểm và phải được sửa chữa.
- Rút phích cắm ra khỏi nguồn điện và/hoặc tháo kết nối bộ pin khỏi dụng cụ máy, nếu có thể tháo rời trước khi thực hiện bất kỳ công việc điều chỉnh, thay đổi phụ tùng hay cất giữ dụng cụ máy nào. Những biện pháp an toàn phòng ngừa này sẽ giảm nguy cơ vô tình khởi động dụng cụ máy.

- Cắt giữ các dụng cụ máy không sử dụng ngoài tầm với của trẻ em và không cho bất kỳ người nào không có hiểu biết về dụng cụ máy hoặc các hướng dẫn này vận hành dụng cụ máy.** Dụng cụ máy sẽ rất nguy hiểm nếu được sử dụng bởi những người dùng chưa qua đào tạo.
- Bảo dưỡng dụng cụ máy và các phụ kiện.** Kiểm tra tình trạng lịch trực hoặc bố kẹp của các bộ phận chuyển động, hiện tượng nứt vỡ của các bộ phận và mọi tình trạng khác mà có thể ảnh hưởng đến vận hành dụng cụ máy. Nếu có hỏng hóc, hãy sửa chữa dụng cụ máy trước khi sử dụng. Nhiều tai nạn xảy ra là do không bảo quản tốt dụng cụ máy.
- Luôn giữ cho dụng cụ cắt được sắc bén và sạch sẽ.** Những dụng cụ cắt được bảo quản tốt có mép cắt sắc sẽ ít bị kẹt hơn và dễ điều khiển hơn.
- Sử dụng dụng cụ máy, phụ tùng và đầu dụng cụ cắt, v.v... theo các hướng dẫn này, có tính đến điều kiện làm việc và công việc được thực hiện.** Việc sử dụng dụng cụ máy cho các công việc khác với công việc dự định có thể gây nguy hiểm.
- Giữ tay cầm và bề mặt tay cầm khô, sạch, không dính dầu và mỡ.** Tay cầm trơn trượt và bề mặt tay cầm không cho phép xử lý an toàn và kiểm soát dụng cụ trong các tình huống bất ngờ.
- Khi sử dụng dụng cụ, không được đi giày tay lao động bằng vải, có thể bị vướng.** Việc giăng tay lao động bằng vải vướng vào các bộ phận chuyển động có thể gây ra thương tích cá nhân.

Sử dụng và bảo quản dụng cụ dùng pin

- Chỉ sạc pin lại với bộ sạc do nhà sản xuất quy định.** Bộ sạc phù hợp với một loại bộ pin này có thể gây ra nguy cơ hỏa hoạn khi được dùng cho một bộ pin khác.
- Chỉ sử dụng các dụng cụ máy với các bộ pin được quy định cụ thể.** Việc sử dụng bất cứ bộ pin nào khác có thể gây ra thương tích và hỏa hoạn.
- Khi không sử dụng bộ pin, hãy giữ tránh xa các đồ vật khác bằng kim loại, chẳng hạn như kẹp giấy, tiền xu, chìa khóa, đinh, ốc vít hoặc các vật nhỏ bằng kim loại mà có thể làm nối tắt các đầu cực pin.** Các đầu cực pin bị đoản mạch có thể gây cháy hoặc hỏa hoạn.
- Trong điều kiện sử dụng quá mức, pin có thể bị chảy nước; hãy tránh tiếp xúc.** Nếu vô tình tiếp xúc với pin bị chảy nước, hãy rửa sạch bằng nước. Nếu dung dịch từ pin tiếp xúc với mắt, cần đi khám bác sĩ thêm. Dung dịch chảy ra từ pin có thể gây rát da hoặc bỏng.
- Không sử dụng bộ pin hoặc dụng cụ bị hư hỏng hoặc đã bị sửa đổi.** Pin đã bị hư hỏng hoặc đã bị sửa đổi có thể hành động theo cách không thể đoán trước dẫn đến cháy, nổ hoặc nguy cơ chấn thương.
- Không để bộ pin hoặc dụng cụ tiếp xúc với lửa hoặc nhiệt độ quá cao.** Tiếp xúc với lửa hoặc nhiệt độ trên 130 °C có thể gây ra cháy nổ.

- Làm theo tất cả các hướng dẫn sạc pin và không được sạc bộ pin hoặc dụng cụ vượt giới hạn nhiệt độ quy định trong hướng dẫn.** Sạc pin không đúng hoặc ở nhiệt độ vượt giới hạn nhiệt độ có thể gây hư hỏng cho pin và làm tăng nguy cơ cháy.

Bảo dưỡng

- Đề nghị viên sửa chữa đủ trình độ bảo dưỡng dụng cụ máy của bạn và chỉ sử dụng các bộ phận thay thế đồng nhất.** Việc này sẽ đảm bảo duy trì được độ an toàn của dụng cụ máy.
- Không bao giờ sử dụng bộ pin đã hỏng.** Dịch vụ bảo hành bộ pin chỉ nên thực hiện bởi nhà sản xuất hoặc các nhà cung cấp dịch vụ được ủy quyền.
- Tuân theo hướng dẫn dành cho việc bôi trơn và thay phụ tùng.**

Cảnh báo an toàn đối với máy đánh bóng quỹ đạo tròn cầm tay hoạt động bằng pin

- Không để mặc dụng cụ chạy.** Chỉ vận hành dụng cụ khi cầm trên tay.
- Kiểm tra xem phôi gia công đã được kê đỡ đầy đủ chưa.**
- Không dùng dụng cụ này trên bất kỳ vật liệu nào có chứa amiăng.**
- Không chạm vào bu lông trên tấm đặt lót ngay sau khi vận hành.** Bu lông có thể rất nóng và gây bỏng da.
- Đảm bảo rằng tấm đệm không có vết nứt hoặc bề trước khi sử dụng.** Nếu bạn thả dụng cụ ra, hãy kiểm tra để đảm bảo không có vết rạn chạy dụng cụ khoảng 1 phút ở tốc độ tối đa ở chế độ không tải để đảm bảo không có bất thường cho dụng cụ. Các vết nứt hoặc bề có thể gây thương tích cho người.

LƯU GIỮ CÁC HƯỚNG DẪN NÀY.

⚠ CẢNH BÁO: KHÔNG vì đã thoải mái hay quen thuộc với sản phẩm (có được do sử dụng nhiều lần) mà không tuân thủ nghiêm ngặt các quy định về an toàn dành cho sản phẩm này. **VIỆC DÙNG SAI** hoặc không tuân theo các quy định về an toàn được nêu trong tài liệu hướng dẫn này có thể dẫn đến thương tích cá nhân nghiêm trọng.

Hướng dẫn quan trọng về an toàn dành cho hộp pin

- Trước khi sử dụng hộp pin, hãy đọc kỹ tất cả các hướng dẫn và dấu hiệu cảnh báo trên (1) bộ sạc pin, (2) pin và (3) sản phẩm sử dụng pin.**
- Không tháo rời hộp pin.**
- Nếu thời gian vận hành ngắn hơn quá mức, hãy ngừng vận hành ngay lập tức.** Điều này có thể dẫn đến rủi ro quá nhiệt, có thể gây bỏng và thậm chí là nổ.

4. Nếu chất điện phân rơi vào mắt, hãy rửa sạch bằng nước sạch và đến cơ sở y tế ngay lập tức. Chất này có thể khiến bạn giảm thị lực.
5. Không để hộp pin ở tình trạng đoản mạch:
 - (1) Không chạm vào cực pin bằng vật liệu dẫn điện.
 - (2) Tránh cất giữ hộp pin trong hộp có các vật kim loại khác như đinh, tiền xu, v.v...
 - (3) Không được để hộp pin tiếp xúc với nước hoặc mưa.
 Đoàn mạch pin có thể gây ra dòng điện lớn, quá nhiệt, có thể gây bỏng và thậm chí là hỏng hóc.
6. Không cất giữ dụng cụ và hộp pin ở nơi nhiệt độ có thể lên tới hoặc vượt quá 50°C.
7. Không đốt hộp pin ngay cả khi hộp pin đã bị hư hại nặng hoặc hư hỏng hoàn toàn. Hộp pin có thể nổ khi tiếp xúc với lửa.
8. Hãy cẩn trọng không làm rơi hoặc làm méo pin.
9. Không sử dụng pin đã hỏng.
10. Pin nén lithium-ion là đối tượng có yêu cầu bắt buộc theo Luật Hàng hoá Nguy hiểm. Đối với vận tải thương mại, ví dụ như vận tải do bên thứ ba, đại lý giao nhận, thì yêu cầu đặc biệt về đóng gói và nhãn ghi phải được giám sát. Để chuẩn bị cho mặt hàng cần vận chuyển, cần phải tham khảo ý kiến chuyên gia về vật liệu nguy hiểm. Nếu được, vui lòng tuân thủ các quy định quốc gia chi tiết hơn. Buộc hoặc niêm phong các tiếp điểm mở và đóng gói pin theo cách đó để nó không thể di chuyển trong bao bì.
11. Khi vứt bỏ hộp pin, hãy tháo chúng khỏi dụng cụ và thải bỏ ở nơi an toàn. Phải tuân thủ theo các quy định của địa phương liên quan đến việc thải bỏ pin.
12. Chỉ sử dụng pin cho các sản phẩm Makita chỉ định. Lắp pin vào sản phẩm không thích hợp có thể gây ra hỏa hoạn, quá nhiệt, nổ, hoặc rò chất điện phân.
13. Nếu dụng cụ không được sử dụng trong một thời gian dài, cần phải tháo pin ra khỏi dụng cụ.

LƯU GIỮ CÁC HƯỚNG DẪN NÀY.

⚠️ THẬN TRỌNG: Chỉ sử dụng pin Makita chính hãng. Việc sử dụng pin không chính hãng Makita, hoặc pin đã được sửa đổi, có thể dẫn đến nổ pin gây ra cháy, thương tích và thiệt hại cá nhân. Nó cũng sẽ làm mất hiệu lực bảo hành của Makita dành cho dụng cụ của Makita và bộ sạc.

Mẹo duy trì tuổi thọ tối đa cho pin

1. Sạc hộp pin trước khi pin bị xả điện hoàn toàn. Luôn dừng việc vận hành dụng cụ và sạc pin khi bạn nhận thấy công suất dụng cụ bị giảm.
2. Không được phép sạc lại một hộp pin đã được sạc đầy. Sạc quá mức sẽ làm giảm tuổi thọ của pin.
3. Sạc pin ở nhiệt độ phòng 10°C - 40°C. Để cho hộp pin nóng nguội lại dần trước khi sạc pin.
4. Sạc pin sáu tháng một lần nếu bạn không sử dụng dụng cụ trong một thời gian dài (hơn sáu tháng).

MÔ TẢ CHỨC NĂNG

⚠️ THẬN TRỌNG: Luôn đảm bảo rằng đã tắt dụng cụ và tháo hộp pin ra trước khi thực hiện việc điều chỉnh hoặc kiểm tra chức năng trên dụng cụ.

Lắp hoặc tháo hộp pin

⚠️ THẬN TRỌNG: Luôn tắt dụng cụ trước khi lắp hoặc tháo hộp pin.

⚠️ THẬN TRỌNG: Giữ dụng cụ và hộp pin thật chắc khi lắp hoặc tháo hộp pin. Không giữ dụng cụ và hộp pin thật chắc có thể làm trượt chúng khỏi tay và làm hư hỏng dụng cụ và hộp pin hoặc gây thương tích cá nhân.

► **Hình1:** 1. Đèn chỉ báo màu đỏ 2. Nút 3. Hộp pin

Để tháo hộp pin, vừa trượt pin ra khỏi dụng cụ vừa đẩy trượt nút ở phía trước hộp pin.

Để lắp hộp pin, đặt thẳng hàng phần chốt nhỏ ra của hộp pin vào phần rãnh nằm trên vỏ và trượt hộp pin vào vị trí. Đưa hộp pin vào cho đến khi chốt khóa vào đúng vị trí với một tiếng "cách" nhẹ. Nếu bạn vẫn còn nhìn thấy đèn chỉ báo màu đỏ ở mặt trên của nút, điều đó có nghĩa là chốt vẫn chưa được khóa hoàn toàn.

⚠️ THẬN TRỌNG: Luôn lắp hộp pin khớp hoàn toàn vào vị trí cho đến khi không thể nhìn thấy đèn chỉ báo màu đỏ. Nếu không, hộp pin có thể vọt tình rơi ra khỏi dụng cụ, gây thương tích cho bạn hoặc người khác xung quanh.









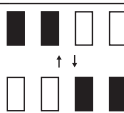
⚠️ THẬN TRỌNG: Không được dùng sức lắp hộp pin. Nếu hộp pin không nhẹ nhàng trượt vào vị trí, có nghĩa là pin vẫn chưa được lắp đúng.

Chỉ báo dung lượng pin còn lại

Chỉ dành cho hộp pin có đèn chỉ báo

► **Hình2:** 1. Các đèn chỉ báo 2. Nút Check (kiểm tra)

Ấn nút check (kiểm tra) trên hộp pin để chỉ báo dung lượng pin còn lại. Các đèn chỉ báo bật sáng lên trong vài giây.

Các đèn chỉ báo			Dung lượng còn lại
 Bật sáng	 Tắt	 Nhấp nháy	
			75% đến 100%
			50% đến 75%
			25% đến 50%
			0% đến 25%
			Sạc pin.
			Pin có thể đã bị hỏng.

LƯU Ý: Tùy thuộc vào các điều kiện sử dụng và nhiệt độ xung quanh, việc chỉ báo có thể khác biệt một chút so với dung lượng thực sự.

Hệ thống bảo vệ dụng cụ / pin

Dụng cụ này được trang bị hệ thống bảo vệ dụng cụ / pin. Hệ thống này sẽ tự động ngắt nguồn điện đến động cơ để kéo dài tuổi thọ dụng cụ và pin. Dụng cụ sẽ tự động dừng vận hành khi dụng cụ hoặc pin ở một trong những trường hợp sau đây:

Bảo vệ quá tải

Khi vận hành dụng cụ hoặc pin trong điều kiện làm máy tiêu tốn dòng cao bất thường, dụng cụ sẽ tự động dừng lại mà không có bất cứ dấu hiệu nào. Trong trường hợp này, hãy tắt dụng cụ và ngừng ứng dụng làm cho dụng cụ trở nên quá tải. Sau đó bật dụng cụ lên để khởi động lại.

Bảo vệ quá nhiệt

Khi dụng cụ hoặc pin bị quá nhiệt, dụng cụ sẽ tự động dừng. Trong trường hợp này, hãy để dụng cụ và pin nguội trước khi bật dụng cụ lại.

Bảo vệ xả điện quá mức


Khi dung lượng pin không đủ, thì dụng cụ sẽ tự động dừng. Trong trường hợp này, hãy tháo pin khỏi dụng cụ và sạc pin lại.

Hoạt động công tắc

⚠ THẬN TRỌNG: Trước khi lắp hộp pin vào dụng cụ, luôn luôn kiểm tra xem cần khởi động công tắc có hoạt động bình thường hay không và trả về vị trí "OFF" (TẮT) khi nhả ra.

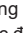

⚠ THẬN TRỌNG: Công tắc có thể khóa ở vị trí "ON" (BẬT) để người vận hành dễ dàng thuận tiện trong quá trình sử dụng công dài. Cần hết sức cẩn trọng khi khóa dụng cụ ở vị trí "ON" (BẬT) và phải luôn giữ chặt dụng cụ.

⚠ THẬN TRỌNG: Không lắp hộp pin khi nút khóa đang được gài.

⚠ THẬN TRỌNG: Khi không vận hành dụng cụ, ấn xuống nút khóa cần khởi động từ bên  để khóa cần khởi động công tắc ở vị trí TẮT.

► **Hình3:** 1. Nút khóa cần khởi động

► **Hình4:** 1. Cần khởi động công tắc 2. Nút khóa 3. Nút khóa cần khởi động

Để ngăn ngừa vô tình kéo cần khởi động công tắc, dụng cụ được trang bị một nút khóa cần khởi động. Để khởi động dụng cụ, nhấn nút khóa cần khởi động từ bên mặt A () và kéo cần khởi động công tắc. Tốc độ của dụng cụ được tăng lên bằng cách tăng áp lực lên cần khởi động công tắc. Nhả cần khởi động công tắc ra để dừng. Sau khi sử dụng, nhấn vào nút khóa cần khởi động từ bên mặt B ()

Để hoạt động liên tục, vừa ấn nút khóa vừa kéo cần khởi động công tắc, và sau đó nhả cần khởi động công tắc. Để dừng dụng cụ, hãy kéo cần khởi động công tắc hết mức, sau đó nhả ra.

Đĩa điều chỉnh tốc độ

► **Hình5:** 1. Đĩa điều chỉnh tốc độ

Có thể thay đổi tốc độ xoay bằng cách xoay đĩa điều chỉnh tốc độ đến cài đặt số đã có sẵn từ 1 đến 5. Dụng cụ đạt tốc độ cao hơn khi xoay đĩa theo hướng số 5. Và dụng cụ đạt tốc độ thấp hơn khi xoay đĩa theo hướng số 1.

Tham khảo bảng sau về mối liên quan giữa cài đặt theo số trên đĩa và tốc độ xoay phù hợp.

Chế độ bình thường

Số	Số vòng xoay mỗi phút.	Tốc độ xoay mặt đệm mỗi phút khi ở chế độ xoay tăng cường
1	1.600	180
2	2.500	290
3	4.000	460
4	5.600	650
5	6.800	780

Chế độ hoàn thiện

Số	Số vòng xoay mỗi phút.	Tốc độ xoay mặt đệm mỗi phút khi ở chế độ xoay tăng cường
1	1.600	180
2	2.200	250
3	3.300	380
4	4.400	500
5	5.200	600

CHÚ Ý: Nếu dụng cụ được vận hành liên tục ở tốc độ chậm trong thời gian dài, motor sẽ bị quá tải dẫn đến trục trặc cho dụng cụ.

CHÚ Ý: Đĩa xoay điều chỉnh tốc độ chỉ có thể được xoay cao nhất là 5 và trở về 1. Không cố gắng vặn quá 5 hoặc 1, nếu không chức năng điều chỉnh tốc độ có thể không hoạt động nữa.

Chọn chế độ hoạt động

Xoay núm chuyển để thay đổi chế độ xoay.

► **Hình6:** 1. Núm chuyển

CHÚ Ý: Luôn xoay núm hết cỡ. Nếu núm ở vị trí giữa, bạn không thể bật dụng cụ.

CHÚ Ý: Bạn không thể thay đổi chế độ hoạt động khi dụng cụ đang bật.

Chà nhám tròn với chế độ xoay tăng cường

► **Hình7:** 1. Núm chuyển

Quý đạo tròn tùy tiện với chế độ xoay cường bức lực là hoạt động có quỹ đạo với hướng quay tấm mút cường bức để đánh bóng thô chẳng hạn như xử lý bề mặt. Xoay núm chuyển ngược chiều kim đồng hồ cho quỹ đạo tùy tiện với chế độ xoay cường bức.

Chế độ chà nhám tròn

► **Hình8:** 1. Núm chuyển

Chế độ quỹ đạo tùy tiện là hoạt động có quỹ đạo với hướng xoay tự do của tấm mút để đánh bóng tinh. Xoay núm chuyển theo chiều kim đồng hồ cho chế độ quỹ đạo tùy tiện.

Chế độ hoàn thiện

Trong chế độ hoàn thiện, bạn có thể vận hành dụng cụ mà không cần áp tải quá mức. Chế độ này phù hợp cho vận hành hoàn thiện.

Để sử dụng dụng cụ ở chế độ hoàn thiện, hãy kéo cần khởi động công tắc rồi nhả ra để bật dụng cụ, và sau đó nhấn nút chuyển đổi chế độ. Đèn sáng lên màu xanh lá. Để trở về chế độ bình thường, nhấn nút chuyển đổi chế độ trong khi bật dụng cụ.

► **Hình9:** 1. Đèn 2. Nút chuyển đổi chế độ

LƯU Ý: Bạn không thể thay đổi chế độ khi dụng cụ đang chạy.

Chức năng phòng ngừa vô tình khởi động lại

Nếu bạn lắp đặt hộp pin trong lúc kéo cần khởi động công tắc hoặc khóa cần khởi động công tắc, dụng cụ vẫn sẽ không khởi động. Để khởi động dụng cụ, nhả cần khởi động công tắc ra, và sau đó kéo cần khởi động công tắc.

Chức năng điện tử

Các dụng cụ này được trang bị chức năng điện tử giúp dễ dàng thao tác nhờ các tính năng sau.

Điều khiển tốc độ không đổi

Có khả năng tạo được bề mặt hoàn thiện đẹp bởi tốc độ xoay được giữ không đổi ngay cả trong điều kiện có tải.

Tính năng khởi động mềm

Khởi động mềm để tránh bị giật lúc khởi động.

LẮP RÁP

⚠ THẬN TRỌNG: Luôn đảm bảo rằng đã tắt dụng cụ và tháo hộp pin ra trước khi thực hiện bất cứ thao tác nào trên dụng cụ.

Lắp tấm đặt lót

► **Hình10:** 1. Khóa lục giác 2. Bu lông 3. Tấm đặt lót

Đặt tấm đặt lót trên trục rồi xoay bu-lông theo chiều kim đồng hồ bằng khóa lục giác.

⚠ THẬN TRỌNG: Đảm bảo là tấm đặt lót được cố định đúng cách. Phụ tùng bị lỏng sẽ bị mất cân bằng và gây rung động quá mức có thể gây ra mất kiểm soát.

Lắp tay cầm hồng

Phụ kiện tùy chọn

⚠ THẬN TRỌNG: Siết nắp hoặc tay cầm hồng thật chặt. Nếu không, nắp trước có thể rơi ra và gây chấn thương.

► **Hình11:** 1. Nắp 2. Tay cầm hồng

Tháo phần nắp và bắt vít tay cầm hồng trên dụng cụ thật chặt.

Tay cầm hồng có thể được gắn ở cả hai bên của dụng cụ.

Lắp hoặc tháo tấm mút

Phụ kiện tùy chọn

⚠ THẬN TRỌNG: Chỉ sử dụng các tấm mút có hệ thống hook-and-loop (móc và xoay) để đánh bóng.

► **Hình12:** 1. Tấm mút

Đề lắp tấm nút, trước tiên hãy loại bỏ tất cả bụi bẩn và ngoại vật từ hệ thống hook-and-loop (móc và xoay) của tấm nút và tấm đặt lót. Gắn tấm nút vào tấm đặt lót sao cho các cạnh của chúng được căn thẳng hàng.
Đề tháo tấm nút ra khỏi tấm đặt lót, chỉ cần kéo lên khỏi cạnh của nó.

⚠ THẬN TRỌNG: Đảm bảo rằng tấm nút và tấm đặt lót được căn thẳng hàng và được gắn chặt.

Nếu không thì tấm nút sẽ gây ra rung động quá mức và có thể gây ra mất kiểm soát hoặc tấm nút có thể bị rơi ra khỏi dụng cụ.

VẬN HÀNH

⚠ THẬN TRỌNG: Chỉ sử dụng tấm nút chính hãng của Makita để đánh bóng (phụ kiện tùy chọn).

⚠ THẬN TRỌNG: Đảm bảo rằng các vật liệu gia công đều chặt và cố định. Vật rơi có thể gây thương tích cá nhân.

⚠ THẬN TRỌNG: Giữ chặt dụng cụ bằng một tay để trên tay cầm gắn công tắc và tay kia để trên tay cầm phía trước (hoặc tay cầm hông) khi thao tác với dụng cụ.

⚠ THẬN TRỌNG: Không chạy dụng cụ ở tải trọng cao suốt một khoảng thời gian kéo dài. Điều này có thể dẫn đến hỏng hóc dụng cụ và gây điện giật, hỏa hoạn và/hoặc thương tích nghiêm trọng.

⚠ THẬN TRỌNG: Cẩn thận không chạm vào phần xoay.

⚠ THẬN TRỌNG: Trước khi vận hành dụng cụ, đảm bảo tay cầm hông hoặc nắp không bị nới lỏng. Nếu tay cầm hông hoặc nắp bị nới lỏng, nắp trước có thể rơi ra và gây thương tích.

CHÚ Ý: Không bao giờ nhấn mạnh dụng cụ. Áp lực quá nhiều có thể dẫn đến hiệu suất đánh bóng bị giảm, tấm nút bị hỏng, hoặc làm giảm tuổi thọ của dụng cụ.

CHÚ Ý: Tiếp tục vận hành với tốc độ cao có thể làm hỏng bề mặt công tác.

Thao tác đánh bóng

► Hình13

1. Xử lý bề mặt (Quý đạo tùy tiện với chế độ xoay cưỡng bức)

Sử dụng một tấm len để hoàn thiện thô rồi sử dụng một tấm bọt biển để hoàn thiện tinh.

2. Bôi sáp (Chế độ quỹ đạo tùy tiện)

Sử dụng một tấm bọt biển. Bôi sáp lên tấm bọt biển hoặc bề mặt công tác. Chạy dụng cụ ở tốc độ thấp để dần đều sáp.

⚠ THẬN TRỌNG: Không bôi quá nhiều sáp hoặc chất đánh bóng. Điều này sẽ sinh ra nhiều bụi hơn và có thể gây các bệnh mắt hoặc hô hấp.

LƯU Ý: Trước tiên, thực hiện đánh sáp thử trên phần khuất của bề mặt công tác. Đảm bảo rằng dụng cụ sẽ không làm trầy xước bề mặt hoặc dẫn đến đánh sáp không đều trước.

3. Gỡ sáp (Chế độ quỹ đạo tùy tiện)

Sử dụng tấm bọt biển khác. Chạy dụng cụ để gỡ sáp.

4. Đánh bóng (Chế độ quỹ đạo tùy tiện)

Thêm tấm ni nhẹ nhàng cho bề mặt công tác.

BẢO TRÌ

⚠ THẬN TRỌNG: Hãy luôn chắc chắn rằng dụng cụ đã được tắt và hộp pin đã được tháo ra trước khi cố gắng thực hiện việc kiểm tra hay bảo dưỡng.

CHÚ Ý: Không được phép dùng xăng, ét xăng, dung môi, cồn hoặc hóa chất tương tự. Có thể xảy ra hiện tượng mất màu, biến dạng hoặc nứt vỡ.

Để đảm bảo ĐỘ AN TOÀN và ĐỘ TIN CẬY của sản phẩm, việc sửa chữa hoặc bất cứ thao tác bảo trì, điều chỉnh nào đều phải được thực hiện bởi các Trung tâm Dịch vụ Nhà máy hoặc Trung tâm được Makita Ủy quyền và luôn sử dụng các phụ tùng thiết bị thay thế của Makita.

Vệ sinh tấm chắn bụi

► Hình14: 1. Tấm chắn bụi

Thường xuyên vệ sinh tấm chắn bụi trên lỗ hút khí để lưu thông khí trơn tru. Tháo tấm chắn bụi và làm sạch mắt lưới.

PHỤ KIỆN TÙY CHỌN

⚠ THẬN TRỌNG: Các phụ kiện hoặc phụ tùng gắn thêm này được khuyến cáo sử dụng với dụng cụ Makita của bạn theo như quy định trong hướng dẫn này. Việc sử dụng bất cứ phụ kiện hoặc phụ tùng gắn thêm nào khác đều có thể gây ra rủi ro thương tích cho người. Chỉ sử dụng phụ kiện hoặc phụ tùng gắn thêm cho mục đích đã quy định sẵn của chúng.

Nếu bạn cần bất kỳ sự hỗ trợ nào để biết thêm chi tiết về các phụ tùng này, hãy hỏi Trung tâm Dịch vụ của Makita tại địa phương của bạn.

- Tay cầm hông
- Tấm đặt lót
- Tấm len
- Tấm bọt biển
- Tấm ni
- Pin và bộ sạc chính hãng của Makita

LƯU Ý: Một số mục trong danh sách có thể được bao gồm trong gói dụng cụ làm phụ kiện tiêu chuẩn. Các mục này ở mỗi quốc gia có thể khác nhau.

ข้อมูลจำเพาะ

รุ่น:	DPO500	DPO600
เส้นผ่านศูนย์กลางของแผ่นรองหลัง	123 mm	148 mm
การหมุนต่อนาที	โหมดปกติ	0 - 6,800 min ⁻¹
	โหมดขีดจำกัด	0 - 5,200 min ⁻¹
ความยาวโดยรวม	530 mm	
แรงดันไฟฟ้าสูงสุด	D.C. 18 V	
น้ำหนักสุทธิ	3.1 - 3.6 kg	

- เนื่องจากการค้นคว้าวิจัยและพัฒนาอย่างต่อเนื่อง ข้อมูลจำเพาะในเอกสารฉบับนี้อาจเปลี่ยนแปลงได้โดยไม่ต้องแจ้งให้ทราบล่วงหน้า
- ข้อมูลจำเพาะและตัวเลือกแบตเตอรี่อาจแตกต่างกันไปในแต่ละประเทศ
- น้ำหนักอาจแตกต่างกันไปตามอุปกรณ์เสริม รวมถึงตัวเลือกแบตเตอรี่ การติดอุปกรณ์เสริมที่เบาที่สุดและหนักที่สุดตามข้อบังคับของ EPTA 01/2014 มีแสดงอยู่ในตาราง

ตัวเลือกแบตเตอรี่และเครื่องชาร์จที่ใช้ได้

ตัวเลือกแบตเตอรี่	BL1815N / BL1820 / BL1820B / BL1830 / BL1830B / BL1840 / BL1840B / BL1850 / BL1850B / BL1860B
เครื่องชาร์จ	DC18RC / DC18RD / DC18RE / DC18SD / DC18SE / DC18SF

- ตัวเลือกแบตเตอรี่และเครื่องชาร์จบางรายการที่แสดงอยู่ด้านบนอาจไม่มีวางจำหน่ายขึ้นอยู่กับภูมิภาคที่คุณอาศัยอยู่

คำเตือน: ใช้ตัวเลือกแบตเตอรี่และเครื่องชาร์จที่ระบุไว้ข้างบนเท่านั้น การใช้ตัวเลือกแบตเตอรี่และเครื่องชาร์จประเภทอื่นอาจก่อให้เกิดความเสี่ยงที่จะได้รับบาดเจ็บและ/หรือเกิดไฟไหม้

สัญลักษณ์

ต่อไปนี้เป็นสัญลักษณ์ที่ใช้สำหรับอุปกรณ์ โปรดศึกษาความหมายของสัญลักษณ์ให้เข้าใจก่อนการใช้งาน



อ่านคู่มือการใช้งาน



สำหรับประเทศในสหภาพยุโรปเท่านั้น ห้ามทิ้งอุปกรณ์ไฟฟ้าหรือชุดแบตเตอรี่รวมกับขยะครัวเรือนทั่วไป!

เพื่อให้เป็นไปตามกฎระเบียบของยุโรปเกี่ยวกับขยะจำพวกอุปกรณ์ไฟฟ้าและอิเล็กทรอนิกส์ และขยะจำพวกแบตเตอรี่และหม้อสะสมไฟฟ้า และการปฏิบัติตามกฎหมายในประเทศ ต้องเก็บอุปกรณ์ไฟฟ้าและแบตเตอรี่และชุดแบตเตอรี่ที่หมดอายุการใช้งานแล้วแยกต่างหาก และส่งกลับไปยังศูนย์รีไซเคิลที่เป็นมิตรต่อสิ่งแวดล้อม

จุดประสงค์การใช้งาน

เครื่องมือนี้มุ่งประสงค์เพื่อใช้ชัดเจน

คำเตือนด้านความปลอดภัย

คำเตือนด้านความปลอดภัยของเครื่องมือไฟฟ้าทั่วไป

⚠ คำเตือน: โปรดอ่านคำเตือนด้านความปลอดภัย คำแนะนำ ภาพประกอบ และข้อมูลเฉพาะต่างๆ ที่หามา กับเครื่องมือไฟฟ้าน้อย่างละเอียด การไม่ปฏิบัติตามคำแนะนำดังต่อไปนี้ อาจส่งผลให้เกิดไฟฟ้าช็อต ไฟไหม้ และ/หรือได้รับบาดเจ็บอย่างร้ายแรงได้

เก็บรักษาคำเตือนและคำแนะนำทั้งหมดไว้

เป็นข้อมูลอ้างอิงในอนาคต

คำว่า “เครื่องมือไฟฟ้า” ในคำเตือนนี้หมายถึงเครื่องมือไฟฟ้า (มีสาย) ที่ทำงานโดยใช้กระแสไฟฟ้าหรือเครื่องมือไฟฟ้า (ไร้สาย) ที่ทำงานโดยใช้แบตเตอรี่

ความปลอดภัยของพื้นที่ทำงาน

1. ดูแลพื้นที่ทำงานให้มีความสะอาดและมีแสงไฟสว่าง พื้นที่รกกระเจะระเกะหรือมืดทึบอาจนำไปสู่การเกิดอุบัติเหตุได้
2. อย่าใช้งานเครื่องมือไฟฟ้าในสภาพที่อาจเกิดการระเบิด เช่น ในสถานที่ที่มีของเหลว ก๊าซ หรือฝุ่นผงที่มีคุณสมบัติไวไฟ เครื่องมือไฟฟ้าอาจสร้างประกายไฟและจุดชนวนฝุ่นผงหรือก๊าซดังกล่าว
3. ดูแลไม่ให้มีเด็ก หรือบุคคลอื่นอยู่ในบริเวณที่กำลังใช้เครื่องมือไฟฟ้า การมีสิ่งรบกวนสมาธิอาจทำให้คุณสูญเสียการควบคุม

ความปลอดภัยด้านไฟฟ้า

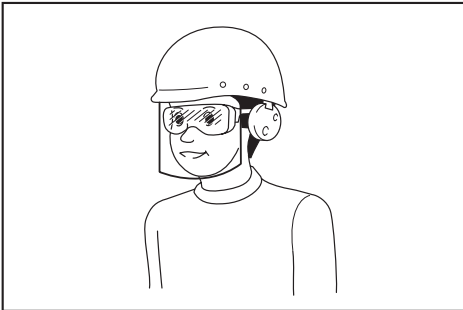
1. ปลั๊กของเครื่องมือไฟฟ้าต้องพอดีกับเต้ารับ อย่าดัดแปลงปลั๊กไม่ว่ากรณีใดๆ อย่าใช้ปลั๊กอะแดปเตอร์กับเครื่องมือไฟฟ้าที่ต่อสายดิน ปลั๊กที่ไม่ถูกดัดแปลงและเต้ารับที่เข้ากันพอดีจะช่วยลดความเสี่ยงของการเกิดไฟฟ้าช็อต
2. ระมัดระวังให้ร่างกายสัมผัสกับพื้นผิวที่ต่อสายดิน เช่น ท่อ เครื่องนำความร้อน เตาหุงต้ม และตู้เย็น มีความเสี่ยงที่จะเกิดไฟฟ้าช็อตสูงขึ้น หากร่างกายของคุณสัมผัสกับพื้น
3. อย่าให้เครื่องมือไฟฟ้าถูกน้ำหรืออยู่ในสภาพเปียกชื้น น้ำที่ไหลเข้าไปในเครื่องมือไฟฟ้าจะเพิ่มความเสี่ยงของการเกิดไฟฟ้าช็อต

4. อย่าใช้สายไฟอย่างไม่เหมาะสม อย่าใช้สายไฟเพื่อยก ดึง หรือถอดปลั๊กเครื่องมือไฟฟ้า เก็บสายไฟให้ห่างจากความร้อน น้ำมัน ของมีคม หรือชิ้นส่วนที่เคลื่อนที่ สายที่ชำรุดหรือพันกันจะเพิ่มความเสี่ยงของการเกิดไฟฟ้าช็อต
5. ขณะที่ใช้งานเครื่องมือไฟฟ้านอกอาคาร ควรใช้สายต่อพ่วงที่เหมาะสมกับงานภายนอกอาคาร การใช้งานที่เหมาะสมกับงานภายนอกอาคารจะลดความเสี่ยงของการเกิดไฟฟ้าช็อต
6. หากต้องใช้งานเครื่องมือไฟฟ้าในสถานที่เปียกชื้น ให้ใช้อุปกรณ์ป้องกันกระแสไฟรั่ว (RCD) การใช้ RCD จะลดความเสี่ยงของการเกิดไฟฟ้าช็อต
7. เครื่องมือไฟฟ้าอาจสร้างสนามแม่เหล็ก (EMF) ที่ไม่เป็นอันตรายต่อผู้ใช้ อย่างไรก็ตาม ผู้ใช้ที่ใส่เครื่องกระตุ้นหัวใจและอุปกรณ์ทางการแพทย์ที่คล้ายกันนี้ ควรติดต่อผู้ผลิตรายการและ/หรือแพทย์เพื่อรับคำแนะนำก่อนใช้งานเครื่องมือไฟฟ้านี้

ความปลอดภัยส่วนบุคคล

1. ให้ระมัดระวังและมึสติอยู่เสมอขณะใช้งานเครื่องมือไฟฟ้า อย่าใช้งานเครื่องมือไฟฟ้าในขณะที่คุณกำลังเหนื่อย หรือในสภาพที่มึนเมาจากยาเสพติด เครื่องดื่ม แอลกอฮอล์ หรือการไช้ยา ช่วงเวลาที่ขาดความระมัดระวังเมื่อกำลังใช้งานเครื่องมือไฟฟ้าอาจทำให้ได้รับบาดเจ็บร้ายแรง
2. ใช้อุปกรณ์ป้องกันส่วนบุคคล สวมแว่นตาป้องกันเสมอ อุปกรณ์ป้องกัน เช่น หมวกกันน็อก รองเท้านิรภัย กันลื่น หมวกนิรภัย หรือเครื่องป้องกันการได้ยินที่ใช้ในสภาพที่เหมาะสมจะช่วยลดการบาดเจ็บ
3. ป้องกันไม่ให้เกิดการเปิดใช้งานโดยไม่ตั้งใจ ตรวจสอบให้แน่ใจว่าสวิตช์ปิดอยู่ก่อนที่จะเชื่อมต่อกับแหล่งจ่ายไฟ และ/หรือชุดแบตเตอรี่ รวมทั้งตรวจสอบก่อนการยกหรือเคลื่อนย้ายเครื่องมือ การสอดนิ้วมือบริเวณสวิตช์เพื่อถือเครื่องมือไฟฟ้า หรือการชาร์จไฟเครื่องมือไฟฟ้าในขณะที่เปิดสวิตช์อยู่อาจนำไปสู่การเกิดอุบัติเหตุ
4. นำคู่มือฉบับปรับปรุงหรือประจำออกก่อนที่จะเปิดเครื่องมือไฟฟ้า ประแหรหรือคู่มือที่เสียบค้ำอยู่ในชิ้นส่วนที่หมุนได้ของเครื่องมือไฟฟ้าอาจทำให้ได้รับบาดเจ็บ
5. อย่าทำงานในระยะที่สุดเอื้อม จัดท่ากรยีนและการทรงตัวให้เหมาะสมตลอดเวลา เพราะจะทำให้ควบคุมเครื่องมือไฟฟ้าได้ดีขึ้นในสถานการณ์ที่ไม่คาดคิด

6. แต่งกายให้เหมาะสม อย่าสวมเครื่องแต่งกายที่หลวมเกินไป หรือสวมเครื่องประดับ อย่าใส่เส้นผมและเสื้อผ้าอยู่ใกล้ชิ้นส่วนที่เคลื่อนที่ เสื้อผ้ารุ่มร่าม เครื่องประดับ หรือผมที่มีความยาวอาจเข้าไปติดในชิ้นส่วนที่เคลื่อนที่
7. หากมีการจัดอุปกรณ์สำหรับดูดและจัดเก็บฝุ่นไว้ในสถานที่ ให้ตรวจสอบว่าได้เชื่อมต่อและใช้งานอุปกรณ์นั้นอย่างเหมาะสม การใช้เครื่องดูดและจัดเก็บฝุ่นจะช่วยลดอันตรายที่เกิดจากฝุ่นผงได้
8. อย่าให้ความดันเคยจากการใช้งานเครื่องมือเป็นประจำทำให้คุณทำตัวตามสบายและละเลยหลักการเพื่อความปลอดภัยในการใช้เครื่องมือ การกระทำที่ไม่ระมัดระวังอาจทำให้เกิดการบาดเจ็บร้ายแรงภายในเสี้ยววินาที
9. สวมใส่แว่นครอบตาที่ปกป้องดวงตาของคุณจากการบาดเจ็บเมื่อใช้เครื่องมือไฟฟ้า แว่นครอบตาจะต้องได้มาตรฐาน ANSI Z87.1 ในสหรัฐอเมริกา, EN 166 ในยุโรป หรือ AS/NZS 1336 ในออสเตรเลีย/นิวซีแลนด์ ในออสเตรเลีย/นิวซีแลนด์ จะต้องสวมเกราะป้องกันใบหน้าเพื่อปกป้องใบหน้าของคุณอย่างถูกต้องตามกฎหมายด้วย



ผู้ว่าจ้างมีหน้าที่รับผิดชอบในการบังคับผู้ใช้งานเครื่องมือและบุคคลอื่นๆ ที่อยู่ในบริเวณที่ปฏิบัติงานให้ใช้อุปกรณ์ป้องกันที่เหมาะสม

การใช้และดูแลเครื่องมือไฟฟ้า

1. อย่าฝืนใช้เครื่องมือไฟฟ้า ใช้เครื่องมือไฟฟ้าที่เหมาะสมกับการใช้งานของคุณ เครื่องมือไฟฟ้าที่เหมาะสมจะทำให้ได้งานที่มีประสิทธิภาพและปลอดภัยกว่าตามขีดความสามารถของเครื่องที่ได้รับการออกแบบมา
2. อย่าใช้เครื่องมือไฟฟ้า หากสวิตช์ไม่สามารถเปิดปิดได้ เครื่องมือไฟฟ้าที่ควบคุมด้วยสวิตช์ไม่ได้เป็นสิ่งอันตรายและต้องได้รับการซ่อมแซม

3. ถอดปลั๊กจากแหล่งจ่ายไฟ และ/หรือชุดแบตเตอรี่ออกจากเครื่องมือไฟฟ้าก่อนทำการปรับตั้ง เปลี่ยนอุปกรณ์เสริม หรือจัดเก็บเครื่องมือไฟฟ้า วิธีการป้องกันด้านความปลอดภัยดังกล่าวจะช่วยลดความเสี่ยงในการเปิดใช้งานเครื่องมือไฟฟ้าโดยไม่ตั้งใจ
4. จัดเก็บเครื่องมือไฟฟ้าที่ไม่ได้ใช้งานให้ห่างจากมือเด็ก และอย่าอนุญาตให้บุคคลที่ไม่คุ้นเคยกับเครื่องมือไฟฟ้าหรือคำแนะนำเหล่านี้ใช้งานเครื่องมือไฟฟ้า เครื่องมือไฟฟ้าจะเป็นอันตรายเมื่ออยู่ในมือของผู้ที่ไม่ได้รับการฝึกอบรม
5. บำรุงรักษาเครื่องมือไฟฟ้าและอุปกรณ์เสริม ตรวจสอบการประกอบที่ไม่ถูกต้องหรือการเชื่อมต่อของชิ้นส่วนที่เคลื่อนที่ การแตกหักของชิ้นส่วน หรือสภาพอื่นๆ ที่อาจส่งผลกระทบต่อการทำงานของเครื่องมือไฟฟ้า หากมีความเสียหาย ให้นำเครื่องมือไฟฟ้าไปซ่อมแซมก่อนการใช้งาน อุบัติเหตุจำนวนมากเกิดจากการดูแลรักษาเครื่องมือไฟฟ้าอย่างไม่ถูกต้อง
6. ทำความสะอาดเครื่องมือตัดและลับให้คมอยู่เสมอ เครื่องมือการตัดที่มีการดูแลอย่างถูกต้องและมีขอบการตัดคมมักจะมีปัญหาติดขัดน้อยและควบคุมได้ง่ายกว่า
7. ใช้เครื่องมือไฟฟ้า อุปกรณ์เสริม และวัสดุสิ้นเปลือง ฯลฯ ตามคำแนะนำดังกล่าว พิจารณาสภาพการทำงานและงานที่จะลงมือทำ การใช้เครื่องมือไฟฟ้าเพื่อทำงานอื่นนอกเหนือจากที่กำหนดไว้อาจทำให้เกิดอันตราย
8. ดูแลมือจับและบริเวณมือจับให้แห้ง สะอาด และไม่มีน้ำมันและจาระบีเปื้อน มือจับและบริเวณมือจับที่ลื่นจะทำให้ไม่สามารถจับและควบคุมเครื่องมือได้อย่างปลอดภัยในสถานการณ์ที่ไม่คาดคิด
9. ขณะใช้งานเครื่องมือ อย่าสวมใส่ถุงมือผ้าที่อาจเข้าไปติดในเครื่องมือได้ หากถุงมือผ้าเข้าไปติดในชิ้นส่วนที่กำลังเคลื่อนที่ที่อยู่อาจทำให้ได้รับบาดเจ็บ

การใช้งานและดูแลเครื่องมือที่ใช้แบตเตอรี่

1. ชาร์จไฟใหม่ด้วยเครื่องชาร์จที่ระบุโดยผู้ผลิตเท่านั้น เครื่องชาร์จที่เหมาะสมสำหรับชุดแบตเตอรี่ประเภทนี้อาจเสี่ยงที่จะเกิดไฟไหม้หากนำไปใช้กับชุดแบตเตอรี่อีกประเภทหนึ่ง
2. ใช้เครื่องมือไฟฟ้ากับชุดแบตเตอรี่ที่กำหนดมาโดยเฉพาะเท่านั้น การใช้ชุดแบตเตอรี่ประเภทนี้อาจทำให้เสี่ยงที่จะได้รับบาดเจ็บและเกิดไฟไหม้

- เมื่อไม่ใช้งานชุดแบตเตอรี่ ให้เก็บห่างจากวัตถุที่เป็นโลหะอื่นๆ เช่น คลิปหนีบกระดาษ เหรียญ กุญแจ กรรไกรตัดเล็บ สกรู หรือวัตถุที่เป็นโลหะขนาดเล็กอื่นๆ ที่สามารถเชื่อมต่อชั่วคราวกับอีกขั้วหนึ่งได้ การลัดวงจรขั้วแบตเตอรี่อาจทำให้ร้อนจัดหรือเกิดไฟไหม้
- ในกรณีที่ใช้งานไม่ถูกต้อง อาจมีของเหลวไหลออกจากแบตเตอรี่ ให้หลีกเลี่ยงการสัมผัส หากสัมผัสโดนของเหลวโดยไม่ตั้งใจ ให้ล้างออกด้วยน้ำ หากของเหลวกระเด็นเข้าตา ให้รีบไปพบแพทย์ ของเหลวที่ไหลออกจากแบตเตอรี่อาจทำให้ผิวหนังระคายเคืองหรือไหม้
- ห้ามใช้ชุดแบตเตอรี่หรือเครื่องมือที่ชำรุดหรือมีการแก้ไข แบตเตอรี่ที่เสียหายหรือมีการแก้ไขอาจทำให้เกิดสิ่งที่ไม่ถึงใจ เช่น ไฟไหม้ ระเบิด หรือเสี่ยงต่อการบาดเจ็บ
- ห้ามใช้ชุดแบตเตอรี่อยู่ใกล้ไฟ หรือบริเวณที่มีอุณหภูมิสูงเกิน หากโดนไฟ หรืออุณหภูมิสูงเกิน 130 °C อาจก่อให้เกิดการระเบิดได้
- กรุณาปฏิบัติตามคำแนะนำสำหรับการชาร์จไฟ และห้ามชาร์จแบตเตอรี่หรือเครื่องมือในบริเวณที่มีอุณหภูมินอกเหนือไปจากที่ระบุในคำแนะนำ การชาร์จไฟที่ไม่เหมาะสม หรืออุณหภูมินอกเหนือไปจากช่วงอุณหภูมิที่ระบุในคำแนะนำอาจทำให้แบตเตอรี่เสียหายและเป็นการเพิ่มความเสี่ยงในการเกิดไฟไหม้

การซ่อมบำรุง

- นำเครื่องมือไฟฟ้าเข้ารับบริการจากช่างซ่อมที่ผ่านการรับรองโดยใช้อะไหล่แบบเดียวกันเท่านั้น เพราะจะทำให้การใช้เครื่องมือไฟฟ้ามีความปลอดภัย
- ห้ามใช้ชุดแบตเตอรี่ที่เสียหาย ชุดแบตเตอรี่ที่ใช้ควรเป็นชุดที่มาจากผู้ผลิต หรือผู้ให้บริการที่ได้รับอนุญาตเท่านั้น
- ปฏิบัติตามคำแนะนำในการเคลื่อนย้ายและการเปลี่ยนอุปกรณ์เสริม

คำเตือนด้านความปลอดภัยของเครื่องมือชนิดเงาไร้สาย

- อย่าปล่อยให้เครื่องมือทำงานค้างไว้ ใช้งานเครื่องมือในขณะที่ถืออยู่เท่านั้น
- ตรวจสอบว่าชิ้นงานมีสิ่งรบกวนอย่างมั่นคง
- อย่าใช้เครื่องมือกับวัสดุที่มีรอยหิน
- อย่าสัมผัสสลักเกลียวบนแผ่นรองหลังทันทีหลังการใช้งาน สลักเกลียวอาจร้อนจัดและไหม้ผิวหนังคุณได้

- ตรวจสอบให้แน่ใจว่าไม่มีรอยร้าวหรือการแตกหักบนแผ่นรองหลังก่อนใช้งาน หากคุณทำเครื่องมือตก ให้ตรวจสอบว่าไม่มีความเสียหายและเปิดใช้เครื่องมือแบบหมุนเปล่าเป็นเวลาประมาณ 1 นาที ที่ความเร็วสูงสุด เพื่อตรวจสอบว่าไม่มีความผิดปกติกับเครื่องมือ รอยร้าวหรือการแตกหักอาจส่งผลให้ได้รับบาดเจ็บได้

ปฏิบัติตามคำแนะนำเหล่านี้

⚠ คำเตือน: อย่าให้ความไม่ระมัดระวังหรือความคุ้นเคยกับผลิตภัณฑ์ (จากการใช้งานซ้ำหลายครั้ง) อยู่เหนือการปฏิบัติตามกฎเกณฑ์ด้านความปลอดภัยในการใช้งาน ผลิตภัณฑ์อย่างเคร่งครัด การใช้งานอย่างไม่เหมาะสมหรือการไม่ปฏิบัติตามกฎเกณฑ์ด้านความปลอดภัยในคู่มือการใช้งานนี้อาจทำให้ได้รับบาดเจ็บร้ายแรง

คำแนะนำเพื่อความปลอดภัยที่สำคัญสำหรับดัลลิบบัตเตอรี่

- ก่อนใช้งานดัลลิบบัตเตอรี่ ให้อ่านคำแนะนำและเครื่องหมายเตือนทั้งหมดบน (1) เครื่องชาร์จแบตเตอรี่ (2) แบตเตอรี่ และ (3) ตัวผลิตภัณฑ์ที่ใช้แบตเตอรี่
- ห้ามถอดแยกส่วนดัลลิบบัตเตอรี่
- หากระยะเวลาที่เครื่องทำงานสั้นเกินไป ให้หยุดใช้งานทันที เนื่องจากอาจมีความเสี่ยงที่จะร้อนจัด ไหม้หรือระเบิดได้
- หากสารละลายอิเล็กโทรไลต์กระเด็นเข้าตา ให้ล้างออกด้วยน้ำเปล่าและรีบไปพบแพทย์ทันที เนื่องจากอาจทำให้ตาบอด
- ห้ามลัดวงจรดัลลิบบัตเตอรี่:
 - ห้ามแตะขั้วกับวัตถุที่เป็นสื่อไฟฟ้าใดๆ
 - หลีกเลี่ยงการเก็บดัลลิบบัตเตอรี่ไว้ในภาชนะร่วมกับวัตถุที่เป็นโลหะ เช่น กรรไกรตัดเล็บ เหรียญ ฯลฯ
 - อย่าให้ดัลลิบบัตเตอรี่ถูกน้ำหรือฝน
- ห้ามเก็บเครื่องมือและดัลลิบบัตเตอรี่ไว้ในสถานที่ที่มีอุณหภูมิสูงถึงหรือเกิน 50 °C
- ห้ามเผาดัลลิบบัตเตอรี่ทิ้ง แม้ว่าแบตเตอรี่จะเสียหายจนใช้การไม่ได้หรือเสื่อมสภาพแล้ว ดัลลิบบัตเตอรี่อาจจะระเบิดในกองไฟ
- ระวังอย่าทำแบตเตอรี่ตกหล่นหรือกระทบกระแทก
- ห้ามใช้แบตเตอรี่ที่เสียหาย

- แบตเตอรี่ที่เติมไอออนที่มีมาให้เห็นเป็นไปตามข้อกำหนดของ Dangerous Goods Legislation สำหรับการขนส่งเพื่อการพาณิชย์ เช่น โดยบุคคลที่สาม ตัวแทนขนส่งสินค้า จะต้องตรวจสอบข้อกำหนดพิเศษในด้านการบรรจุหีบห่อหรือการติดป้ายสินค้าในการเตรียมสินค้าที่จะขนส่ง ให้ปรึกษาผู้เชี่ยวชาญด้านวัตถุอันตราย โปรดตรวจสอบข้อกำหนดในประเทศที่อาจมีรายละเอียดอื่นๆ เพิ่มเติม ให้ติดเทปหรือปิดหน้าสัมผัสและห่อแบตเตอรี่ในลักษณะที่แบตเตอรี่จะไม่เคลื่อนที่ไปมาในหีบห่อ
- เมื่อกำจัดตลับแบตเตอรี่ ให้ถอดตลับแบตเตอรี่ออกจากเครื่องมือและกำจัดในสถานที่ที่ปลอดภัย ปฏิบัติตามข้อบังคับในท้องถิ่นที่เกี่ยวข้องกับการกำจัดแบตเตอรี่
- ใช้แบตเตอรี่กับผลิตภัณฑ์ที่ระบุโดย Makita เท่านั้น การติดตั้งแบตเตอรี่ในผลิตภัณฑ์ที่ไม่ใช่ตามที่ระบุอาจทำให้เกิดไฟไหม้ ความร้อนสูง ระเบิด หรืออิเล็กทรอนิกส์รั่วไหลได้
- หากไม่ใช้เครื่องมือเป็นระยะเวลานาน จะต้องถอดแบตเตอรี่ออกจากเครื่องมือ

ปฏิบัติตามคำแนะนำเหล่านี้

⚠ ข้อควรระวัง: ใช้แบตเตอรี่ของแท้จาก Makita เท่านั้น การใช้แบตเตอรี่ Makita ที่ไม่แท้ หรือแบตเตอรี่ที่ถูกเปลี่ยน อาจทำให้แบตเตอรี่ระเบิด ก่อให้เกิดเพลิงลุกไหม้ การบาดเจ็บ และความเสียหายได้ และจะทำให้การรับประกันของ Makita สำหรับเครื่องมือและแท่นชาร์จของ Makita เป็นโมฆะด้วย

เคล็ดลับในการรักษาอายุการใช้งานของแบตเตอรี่ให้ยาวนานที่สุด

- ชาร์จตลับแบตเตอรี่ก่อนที่ไฟจะหมด หยุดการใช้งานแล้วชาร์จประจุไฟฟ้าใหม่ทุกครั้งเมื่อคุณรู้สึกว่าคุณรู้สึกว่ามีกำลังลดลง
- อย่าชาร์จตลับแบตเตอรี่ที่มีไฟเต็มแล้ว การชาร์จประจุไฟฟ้ามักเกินไปอาจจะทำให้อายุการใช้งานของตลับแบตเตอรี่สั้นลง
- ชาร์จประจุไฟฟ้าตลับแบตเตอรี่ในห้องที่มีอุณหภูมิระหว่าง 10 °C - 40 °C ปล่อยให้ตลับแบตเตอรี่เย็นลงก่อนที่จะชาร์จไฟ
- ชาร์จไฟตลับแบตเตอรี่หากคุณไม่ต้องการใช้เป็นเวลานาน (เกินกว่าหกเดือน)

คำอธิบายการทำงาน

⚠ ข้อควรระวัง: ตรวจสอบให้แน่ใจว่าได้ปิดสวิตช์เครื่องมือและถอดตลับแบตเตอรี่ออกก่อนปรับตั้งหรือตรวจสอบการทำงานของเครื่องมือ

การใส่หรือการถอดตลับแบตเตอรี่

⚠ ข้อควรระวัง: ปิดสวิตช์เครื่องมือก่อนทำการติดตั้งหรือการถอดตลับแบตเตอรี่ทุกครั้ง

⚠ ข้อควรระวัง: ถอดเครื่องมือและตลับแบตเตอรี่ให้แน่น ในระหว่างการติดตั้งหรือการถอดตลับแบตเตอรี่ หากไม่ถอดเครื่องมือและตลับแบตเตอรี่ให้แน่น อาจทำให้ตลับแบตเตอรี่และเครื่องมือลื่นหลุดมือ และทำให้เครื่องมือและตลับแบตเตอรี่เสียหายหรือได้รับบาดเจ็บได้

- ▶ **หมายเลข 1:** 1. ไฟแสดงสถานะสีแดง 2. ปุ่ม 3. ตลับแบตเตอรี่

เมื่อต้องการถอดตลับแบตเตอรี่ ให้เลื่อนปุ่มที่ด้านหน้าของตลับแล้วดึงออกจากเครื่องมือ

เมื่อต้องการติดตั้งตลับแบตเตอรี่ ให้จัดแนวสันบนตลับแบตเตอรี่ให้ตรงกับร่องบนตัวเครื่องมือ แล้วเลื่อนตลับแบตเตอรี่เข้าที่ ติดตั้งตลับแบตเตอรี่เข้าจนสุดจนกระทั่งได้ยินเสียงคลิกล็อกเข้าที่ หากยังเห็นส่วนสีแดงที่ด้านบนของปุ่ม แสดงว่าตลับแบตเตอรี่ยังไม่ล็อกเข้าที่

⚠ ข้อควรระวัง: ให้ดันตลับแบตเตอรี่เข้าจนสุดจนไม่เห็นส่วนสีแดงอีก ไม่เช่นนั้น ตลับแบตเตอรี่อาจหลุดออกจากเครื่องมือทำให้คุณหรือคนรอบข้างได้รับบาดเจ็บ

⚠ ข้อควรระวัง: อย่าฝืนติดตั้งตลับแบตเตอรี่โดยใช้แรงมากเกินไป หากตลับแบตเตอรี่ไม่เลื่อนเข้าไปโดยง่าย แสดงว่าใส่ไม่ถูกต้อง

การระบุระดับพลังงานแบตเตอรี่ที่เหลืออยู่

สำหรับดรัมแบตเตอรี่ที่มีตัวแสดงสถานะเท่านั้น

► หมายเลข 2: 1. ไฟแสดงสถานะ 2. ปุ่มตรวจสอบ

กดปุ่ม ตรวจสอบ บนดรัมแบตเตอรี่เพื่อดูปริมาณแบตเตอรี่ที่เหลือ ไฟแสดงสถานะจะสว่างขึ้นเป็นเวลาสองสามวินาที

ไฟแสดงสถานะ			แบตเตอรี่ที่เหลือ
ไฟสว่าง	ดับ	กะพริบ	
■	□	▣	75% ถึง 100%
■ ■ ■ ■	■ ■ ■ ■	■ ■ ■ ■	
■ ■ ■ ■	■ ■ ■ ■	■ ■ ■ ■	50% ถึง 75%
■ ■ ■ ■	■ ■ ■ ■	■ ■ ■ ■	25% ถึง 50%
■ ■ ■ ■	■ ■ ■ ■	■ ■ ■ ■	0% ถึง 25%
■ ■ ■ ■	■ ■ ■ ■	■ ■ ■ ■	ชาร์จไฟแบตเตอรี่
■ ■ ■ ■	■ ■ ■ ■	■ ■ ■ ■	แบตเตอรี่อาจจะเสีย

หมายเหตุ: ขึ้นอยู่กับสภาพการใช้งานและอุณหภูมิโดยรอบ การแสดงสถานะอาจจะแตกต่างจากปริมาณแบตเตอรี่จริงเล็กน้อย

ระบบป้องกันเครื่องมือ/แบตเตอรี่

เครื่องมือมีระบบป้องกันเครื่องมือ/แบตเตอรี่ ระบบนี้จะตัดไฟที่ส่งไปยังมอเตอร์โดยอัตโนมัติเพื่อป้องกันการใช้งานเครื่องมือและแบตเตอรี่ เครื่องมือจะหยุดทำงานระหว่างการใช้งานโดยอัตโนมัติ หากเครื่องมือหรือแบตเตอรี่อยู่ภายใต้สถานการณ์ต่อไปนี้

การป้องกันโอเวอร์โหลด

เมื่อเครื่องมือหรือแบตเตอรี่ทำงานในรูปแบบที่อาจจะดึงพลังงานไฟฟ้าสูงเกินไป เครื่องมือจะหยุดโดยอัตโนมัติโดยไม่มีแรงแจ้งเตือนใดๆ ในกรณีนี้ ให้ปิดเครื่องมือและหยุดการใช้งานในลักษณะที่อาจทำให้เครื่องมือทำงานหนักเกินไป แล้วเปิดเครื่องมือเพื่อเริ่มการทำงานอีกครั้ง

การป้องกันความร้อนสูงเกิน

เมื่อเครื่องมือหรือแบตเตอรี่ร้อนเกินไป เครื่องมือจะหยุดโดยอัตโนมัติ ในกรณีนี้ ปล่อยให้เครื่องมือและแบตเตอรี่เย็นลงก่อนที่จะเปิดเครื่องมืออีกครั้ง

การป้องกันไฟหมด

เมื่อแบตเตอรี่มีระดับพลังงานไม่เพียงพอ เครื่องมือจะหยุดโดยอัตโนมัติ ในกรณีนี้ ให้ถอดแบตเตอรี่ออกจากเครื่องมือและนำแบตเตอรี่ไปชาร์จไฟ

การทำงานของสวิตช์

⚠ ข้อควรระวัง: ก่อนใส่ดรัมแบตเตอรี่ลงในเครื่องมือ ให้ตรวจสอบว่าสวิตช์สั่งงานสามารถทำงานได้อย่างถูกต้องและกลับไปยังตำแหน่ง “ปิด” เมื่อปล่อย

⚠ ข้อควรระวัง: สวิตช์สามารถล็อกในตำแหน่ง “เปิด” เพื่อช่วยให้สะดวกในการใช้งานอย่างต่อเนื่อง ใช้ความระมัดระวังเมื่อล็อกสวิตช์เครื่องมือในตำแหน่ง “เปิด” และจับเครื่องมือให้แน่นตลอดเวลา

⚠ ข้อควรระวัง: อย่าติดตั้งดรัมแบตเตอรี่โดยที่ปุ่มล็อกถูกกดไว้

⚠ ข้อควรระวัง: เมื่อไม่ใช้งานเครื่องมือ ให้กดปุ่มล็อกสวิตช์สั่งงานจากด้าน (A) เพื่อล็อกสวิตช์สั่งงานในตำแหน่งปิด

► หมายเลข 3: 1. ปุ่มล็อกสวิตช์สั่งงาน

► หมายเลข 4: 1. สวิตช์สั่งงาน 2. ปุ่มล็อก 3. ปุ่มล็อกสวิตช์สั่งงาน

เพื่อป้องกันไม่ให้อุปกรณ์สั่งงานถูกกดโดยไม่ตั้งใจ จึงมีปุ่มล็อกสวิตช์สั่งงานติดตั้งไว้ การเริ่มใช้งานเครื่องมือ ให้กดปุ่มล็อกสวิตช์สั่งงานลงจากด้าน A (A) แล้วกดสวิตช์สั่งงาน ความเร็วของเครื่องมือจะเพิ่มขึ้นโดยการเพิ่มแรงกดบนสวิตช์สั่งงาน ปล่อยสวิตช์สั่งงานเพื่อหยุด หลังใช้งาน ให้กดปุ่มล็อกสวิตช์สั่งงานลงจากด้าน B (B)

สำหรับการใช้งานต่อเนื่อง ให้กดปุ่มล็อกลงในขณะที่กดสวิตช์สั่งงานไว้ แล้วจึงปล่อยสวิตช์สั่งงาน การหยุดเครื่องมือ ให้กดสวิตช์สั่งงานจนสุดแล้วปล่อย

แป้นปรับความเร็ว

► หมายเลข 5: 1. แป้นปรับความเร็ว

สามารถเปลี่ยนความเร็วการหมุนได้โดยการปรับแป้นปรับระดับไปยังหมายเลขต่างๆ 1 ถึง 5 สามารถเพิ่มความเร็วได้เมื่อหมุนแป้นปรับระดับไปยังหมายเลข 5 และสามารถลดความเร็วได้เมื่อหมุนแป้นปรับระดับไปยังหมายเลข 1 โปรดดูตารางความสัมพันธ์ระหว่างระดับที่หมุนปรับและความเร็วการหมุนโดยประมาณ

โหมดปกติ

หมายเลข	การหมุนต่อนาที	ความเร็วในการหมุนแผ่นต่อ นาทีอย่างนุ่มด้วยโหมดบังคับ หมุน
1	1,600	180
2	2,500	290
3	4,000	460
4	5,600	650
5	6,800	780

โหมดขีดจำกัด

หมายเลข	การหมุนต่อนาที	ความเร็วในการหมุนแผ่นต่อ นาทีอย่างนุ่มด้วยโหมดบังคับ หมุน
1	1,600	180
2	2,200	250
3	3,300	380
4	4,400	500
5	5,200	600

ข้อสังเกต: หากเครื่องมือถูกใช้งานที่ความเร็วต่ำอย่างต่อเนื่องเป็นเวลานาน มอเตอร์จะเกิดการโอเวอร์โหลด ส่งผลให้เครื่องมือทำงานผิดปกติ

ข้อสังเกต: แป้นปรับความเร็วสามารถหมุนไปจนถึงที่หมายเลข 5 และหมุนกลับจนถึงหมายเลข 1 อย่างฝืน หมุนเลขหมายเลข 5 หรือ 1 ไม่นานนั้นฟังก์ชันการปรับความเร็วอาจไม่สามารถใช้งานได้อีกต่อไป

การเลือกโหมดการทำงาน

หมุนลูกบิดเปลี่ยนเพื่อปรับโหมดการหมุน

▶ หมายเลข 6: 1. ลูกบิดเปลี่ยน

ข้อสังเกต: บิตลูกบิดจนสุดเสมอ หากลูกบิดลูกบิดอยู่ในตำแหน่งกึ่งกลาง คุณจะไม่สามารถเปิดใช้งานเครื่องมือได้

ข้อสังเกต: คุณไม่สามารถเปลี่ยนโหมดการทำงานได้ในระหว่างที่เครื่องเปิดใช้งานอยู่

การหมุนอย่างนุ่มด้วยโหมดบังคับหมุน

▶ หมายเลข 7: 1. ปุ่มหมุนเปลี่ยน

โหมดการหมุนแบบนุ่มอย่างแรงทำให้แผ่นขีดหมุนแรงขึ้น ใช้สำหรับการขัดหยาบ เช่น การปรับสภาพพื้นผิว หมุนลูกบิดเปลี่ยนทวนเข็มนาฬิกาเพื่อเปลี่ยนเป็นโหมดการหมุนแบบนุ่มอย่างแรง

โหมดหมุนแบบนุ่ม

▶ หมายเลข 8: 1. ปุ่มหมุนเปลี่ยน

โหมดการหมุนแบบนุ่มคือโหมดที่แผ่นขีดหมุนได้อย่างอิสระ ใช้สำหรับการขัดเงาแบบละเอียด หมุนลูกบิดเปลี่ยนตามเข็มนาฬิกาเพื่อเปลี่ยนเป็นโหมดการหมุนแบบนุ่ม

โหมดขีดจำกัด

ในโหมดขีดจำกัด คุณสามารถใช้งานเครื่องมือโดยไม่ต้องออกแรงมากเกินไป โหมดนี้เหมาะสำหรับการขีดจำกัดพื้นผิว การใช้เครื่องมือในโหมดขีดจำกัด ให้กดสวิตช์สั่งงานแล้วปล่อยเพื่อเปิดเครื่องมือ จากนั้นให้กดปุ่มเปลี่ยนโหมด ดวงไฟจะสว่างเป็นสีเขียว การกลับไปยังโหมดปกติ ให้กดปุ่มเปลี่ยนโหมดในขณะที่เครื่องมือเปิดอยู่

▶ หมายเลข 9: 1. ดวงไฟ 2. ปุ่มเปลี่ยนโหมด

หมายเหตุ: คุณไม่สามารถเปลี่ยนโหมดในขณะที่เครื่องมือกำลังทำงานอยู่ได้

ฟังก์ชันป้องกันการรีสตาร์ทโดยไม่ตั้งใจ

หากคุณติดตั้งด้ามจับมอเตอร์ในขณะที่กดสวิตช์สั่งงานค้างอยู่หรือลืกดสวิตช์สั่งงานเอาไว้ เครื่องมือจะไม่เริ่มทำงาน การเริ่มใช้งานเครื่องมือ ให้ปล่อยแล้วกดสวิตช์สั่งงาน

ฟังก์ชันอิเล็กทรอนิกส์

เครื่องมือที่มีฟังก์ชันอิเล็กทรอนิกส์ชนิดนี้ใช้งานได้ง่าย เนื่องจากคุณสมบัติดังต่อไปนี้

ระบบควบคุมความเร็วคงที่

ช่วยให้ได้ผลงานที่ละเอียด เนื่องจากความเร็วในการหมุนเป็นไปอย่างคงที่และสม่ำเสมอแม้ว่าจะอยู่ในสภาวะที่มีการทำงานก็ตาม

คุณสมบัติซอฟต์แวร์

ซอฟต์แวร์ป้องกันการสะท้อนในการสตาร์ท

การประกอบ

⚠ ข้อควรระวัง: ตรวจสอบให้แน่ใจว่าได้ปิดสวิทช์เครื่องมือและถอดปลั๊กแบตเตอรี่ออกก่อนดำเนินการใดๆ กับเครื่องมือ

การติดตั้งแผ่นรองหลังกระดาดทราย

- ▶ **หมายเลข 10:** 1. ประแจหกเหลี่ยม 2. สลักเกลียว
3. แผ่นรองหลังกระดาดทราย

วางแผ่นรองหลังกระดาดทรายลงบนแกนเพลจากนั้นหมุนเกลียวสลักตามเข็มนาฬิกาโดยใช้ประแจหกเหลี่ยม

⚠ ข้อควรระวัง: ตรวจสอบให้แน่ใจว่าแผ่นรองหลังกระดาดทรายถูกล็อกติดอย่างแน่นหนา การติดตั้งแบบหลวมๆ จะทำให้ขาดความสมดุลและก่อให้เกิดแรงสั่นสะเทือนที่มากเกินไปซึ่งอาจทำให้ไม่สามารถคุมเครื่องมือได้

การติดตั้งตามจับด้านข้าง

อุปกรณ์เสริม

⚠ ข้อควรระวัง: ขันฝาปิดหรือตามจับด้านข้างให้แน่นไม่เช่นนั้นฝาครอบด้านหน้าอาจร่วงหล่นและทำให้ได้รับบาดเจ็บได้

- ▶ **หมายเลข 11:** 1. ฝาปิด 2. ตามจับด้านข้าง

นำฝาปิดออกแล้วขันตามจับด้านข้างเข้ากับเครื่องมือให้แน่นหนา
ตามจับด้านข้างสามารถติดตั้งได้ทั้งสองด้านของเครื่องมือ

การติดตั้งหรือการถอดแผ่นขัด

อุปกรณ์เสริม

⚠ ข้อควรระวัง: ใช้แผ่นขัดหลังสัปดาห์เท่านั้นในการขัดเงา

- ▶ **หมายเลข 12:** 1. แผ่นขัด

ในการติดตั้งแผ่นขัด อันดับแรกให้นำเอาฝุ่นผงหรือสิ่งแปลกปลอมออกจากหลังสัปดาห์ของแผ่นขัดและแผ่นรองหลังกระดาดทรายก่อน ติดแผ่นขัดเข้ากับแผ่นรองหลังกระดาดทรายโดยทำให้มุมตรงกัน

วิธีการนำแผ่นขัดออกจากแผ่นรองหลังกระดาดทราย เพียงดึงที่ขอบขึ้น

⚠ ข้อควรระวัง: ตรวจสอบให้แน่ใจว่าแผ่นขัดและแผ่นรองหลังกระดาดทรายเรียงตรงกันและยึดติดกันอย่างแน่นหนา ไมอย่างนั้นตัวแผ่นขัดจะก่อให้เกิดแรงสั่นสะเทือนที่มากเกินไป ซึ่งจะทำให้คุมเครื่องมือไม่ได้ หรือตัวแผ่นขัดอาจกระเด็นออกจากเครื่อง

การใช้งาน

⚠ ข้อควรระวัง: ใช้เฉพาะแผ่นนวมของแท้ของ Makita เท่านั้นสำหรับกาขัดเงา (อุปกรณ์เสริม)

⚠ ข้อควรระวัง: ตรวจสอบให้แน่ใจว่ายึดชิ้นงานไว้อย่างแน่นหนา วัตถุที่ร่วงหล่นอาจทำให้เกิดการบาดเจ็บได้

⚠ ข้อควรระวัง: จับเครื่องมือให้มั่นโดยให้มือข้างหนึ่งอยู่ที่ตามจับสวิทช์และให้มืออีกข้างหนึ่งอยู่ที่จับด้านหน้า (หรือตามจับด้านข้าง) ในขณะที่ใช้งานเครื่องมือ

⚠ ข้อควรระวัง: อย่าใช้งานเครื่องอย่างหนักเป็นเวลานานๆ อาจทำให้เกิดการทำงานที่ผิดปกติของเครื่องมือ โดยอาจทำให้เกิดไฟฟ้าช็อต เพลิงไหม้ และ/หรือการบาดเจ็บได้

⚠ ข้อควรระวัง: ระวังเครื่องมืออย่าสัมผัสกับส่วนหมุน

⚠ ข้อควรระวัง: ก่อนใช้งานเครื่องมือ ตรวจสอบให้แน่ใจว่าตามจับด้านข้างหรือฝาปิดไม่หลวม หากตามจับด้านข้างหรือฝาปิดหลวม ฝาครอบด้านหน้าอาจร่วงหล่นและทำให้ได้รับบาดเจ็บได้

ข้อสังเกต: อย่าใช้แรงกดบนเครื่องมือ แรงกดที่มากเกินไปอาจทำให้ประสิทธิภาพในการขัดเงาลดลง แผ่นขัดเกิดความเสียหาย หรือทำให้อายุการใช้งานของเครื่องมือสั้นลง

ข้อสังเกต: การใช้งานอย่างต่อเนื่องด้วยความเร็วสูงอาจทำให้พื้นผิวการทำงานเสียหาย

การดำเนินการขัด

- ▶ **หมายเลข 13**

1. การปรับสภาพพื้นผิว (โหมดการหมุนแบบนุ่มอย่างแรง)

ใช้แผ่นขัดผ้าขนสัตว์สำหรับการขัดหยาบและใช้แผ่นขัดฟองน้ำสำหรับงานขัดละเอียด

2. การลงแว็กซ์ (โหมดการหมุนแบบนุ่ม)

ใช้แผ่นขัดฟองน้ำ ไส้แว็กซ์เข้าที่แผ่นฟองน้ำหรือพื้นผิวที่ขัดเปิดเครื่องมือด้วยความเร็วต่ำเพื่อทาแว็กซ์ให้ทั่ว

⚠ ข้อควรระวัง: อย่าใส่แวกซ์หรือสารขัดเงามากเกินไป เพราะจะทำให้เกิดฝุ่นมากขึ้นและอาจทำให้เกิดโรคตาหรือโรคที่เกี่ยวข้องกับระบบหายใจได้

หมายเหตุ: อันดับแรก ทดลองการลงแวกซ์บนพื้นผิวของงานส่วนที่ไม่เป็นที่สะดุดตาก่อน ตรวจสอบให้แน่ใจว่าเครื่องมือไม่ชูดกับพื้นผิวหรือลงแวกซ์อย่างไม่สม่ำเสมอ

3. การขัดเอาแวกซ์ออก (โหมตการหมุนแบบส้อม)

ใช้แผ่นขัดฟองน้ำอีกแผ่นหนึ่ง เปิดใช้งานเครื่องมือเพื่อนำแวกซ์ออก

4. การขัดเงา (โหมตการหมุนแบบส้อม)

วางแผ่นขัดผ้าสักหลาดเบาๆ ลงบนพื้นผิวงาน

การบำรุงรักษา

⚠ ข้อควรระวัง: ตรวจสอบให้แน่ใจว่าได้ปิดสวิตช์เครื่องมือและถอดปลั๊กแบตเตอรี่ออกก่อนทำการตรวจสอบหรือบำรุงรักษา

ข้อสังเกต: อย่าใช้น้ำมันเชื้อเพลิง เบนซิน กิโนเนอร์ แอลกอฮอล์ หรือวัสดุประเภทเดียวกัน เนื่องจากอาจทำให้สีซีดจาง เสียรูป หรือแตกร้าวได้

เพื่อความปลอดภัยและน่าเชื่อถือของผลิตภัณฑ์ ควรให้ศูนย์บริการหรือโรงงานที่ผ่านการรับรองจาก Makita เป็นผู้ดำเนินการซ่อมแซม บำรุงรักษาและทำการปรับตั้งอื่นๆ นอกจากนี้ให้ใช้อะไหล่ของแท้จาก Makita เสมอ

การทำความสะอาดกล่องเก็บฝุ่น

► **หมายเลข 14:** 1. กล่องเก็บฝุ่น

ทำความสะอาดกล่องเก็บฝุ่นตรงร่องระบายอากาศอย่างสม่ำเสมอเพื่อให้อากาศไหลเวียน นำเอาฝาครอบกันฝุ่นออกและทำความสะอาดตาข่ายดักฝุ่น

อุปกรณ์เสริม

⚠ ข้อควรระวัง: ขอแนะนำให้ใช้เฉพาะอุปกรณ์เสริมหรืออุปกรณ์ต่อพ่วงเหล่านี้กับเครื่องมือ Makita ที่ระบุในคู่มือการใช้งานอุปกรณ์เสริมหรืออุปกรณ์ต่อพ่วงอื่นๆ อาจมีความเสี่ยงที่จะได้รับบาดเจ็บ ใช้อุปกรณ์เสริมหรืออุปกรณ์ต่อพ่วงตามวัตถุประสงค์ที่ระบุไว้เท่านั้น

หากต้องการทราบรายละเอียดเพิ่มเติมเกี่ยวกับอุปกรณ์เสริมเหล่านี้ โปรดสอบถามศูนย์บริการ Makita ใกล้บ้านคุณ

- ด้ามจับด้านข้าง
- แผ่นรองหลังกระดาษทราย
- แผ่นขัดผ้าขนสัตว์
- แผ่นขัดฟองน้ำ
- แผ่นขัดผ้าสักหลาด
- แบตเตอรี่และเครื่องชาร์จ Makita ของแท้

หมายเหตุ: อุปกรณ์บางรายการอาจจะรวมอยู่ในชุดเครื่องมือเป็นอุปกรณ์มาตรฐาน ซึ่งอาจแตกต่างกันไปในแต่ละประเทศ

Makita Corporation
3-11-8, Sumiyoshi-cho,
Anjo, Aichi 446-8502 Japan
www.makita.com

885667A370
EN, ZHCN, ID,
VI, TH
20190802