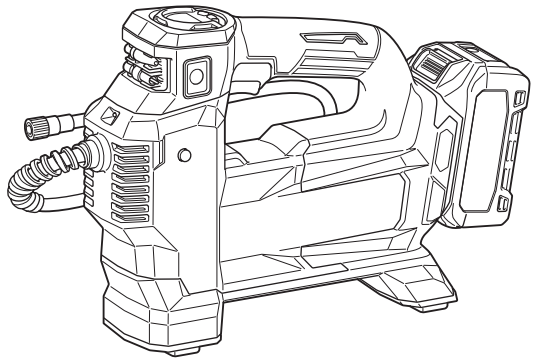




EN	Cordless Inflator	INSTRUCTION MANUAL	4
PTBR	Compressor a Bateria	MANUAL DE INSTRUÇÕES	12
ID	Pompa Nirkabel	PETUNJUK PENGGUNAAN	21
MS	Pam angin Tanpa Kord	MANUAL ARAHAN	30
VI	Máy Bơm Hơi Cầm Tay Hoạt Động Bằng Pin	TÀI LIỆU HƯỚNG DẪN	39
TH	เครื่องสูบลมไร้สาย	คู่มือการใช้งาน	47
ZHCN	充电式充气机	使用说明书	57
ZHTW	充電式打氣機	使用說明書	65
KO	충전 공기 주입기	취급 설명서	74
AR	المنفاخ اللاسلكي	دليل الإرشادات	89

MP001G



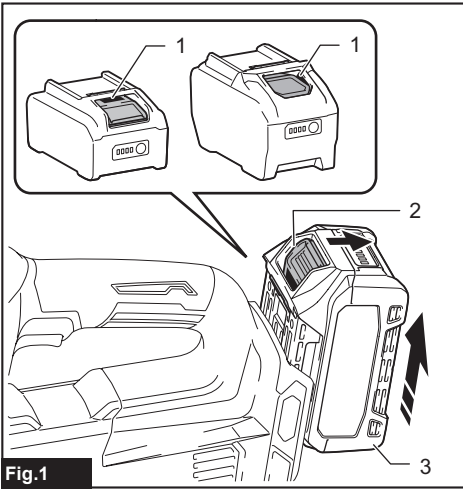


Fig.1

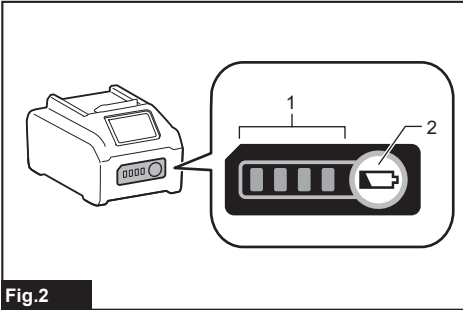


Fig.2

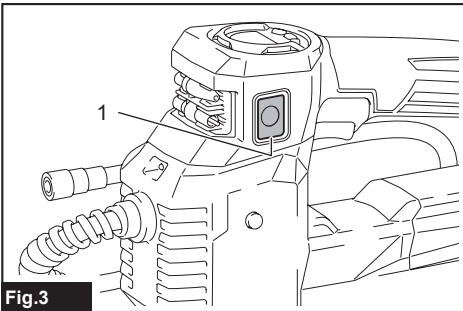


Fig.3

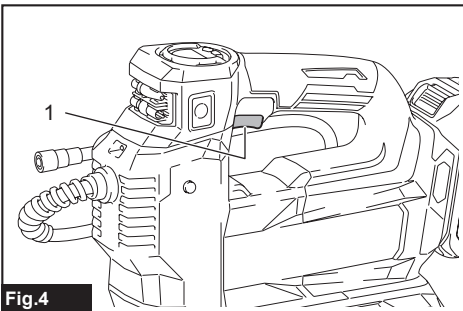


Fig.4

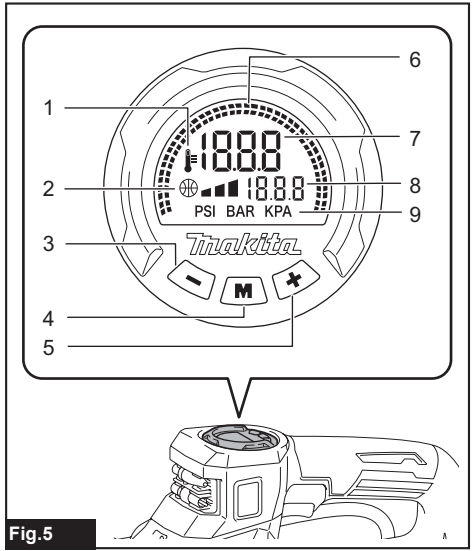


Fig.5

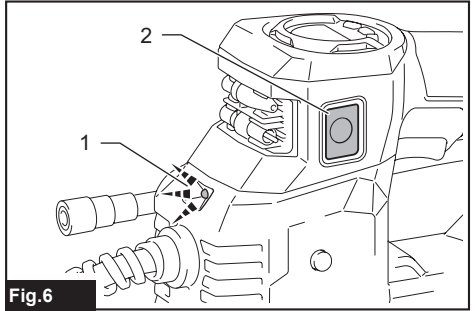


Fig.6

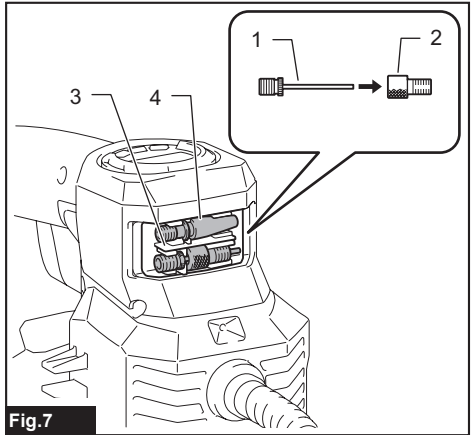


Fig.7

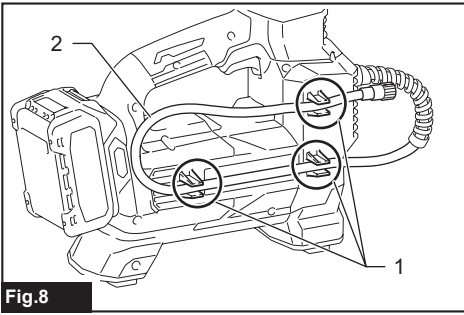


Fig.8

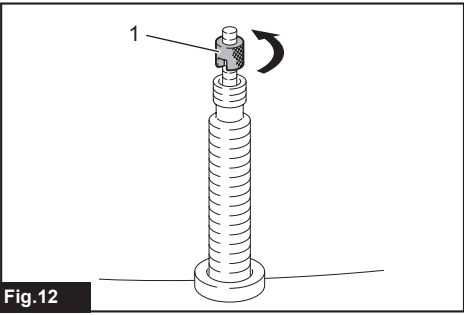


Fig.12

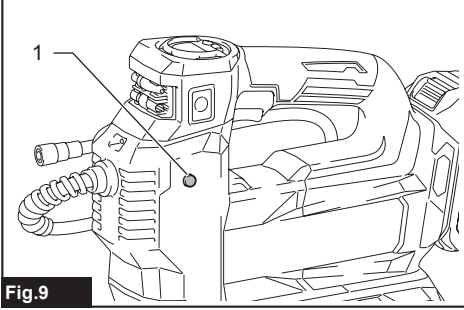


Fig.9

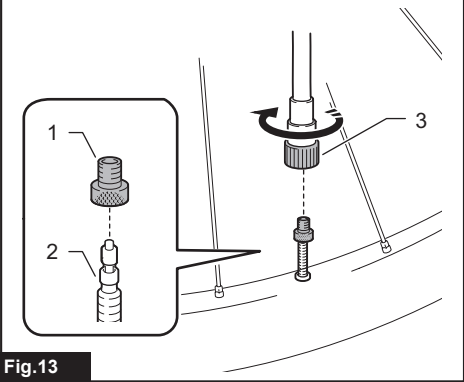


Fig.13

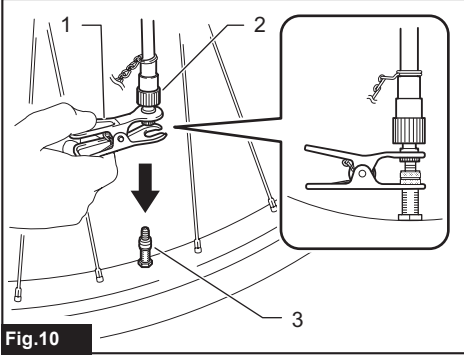


Fig.10

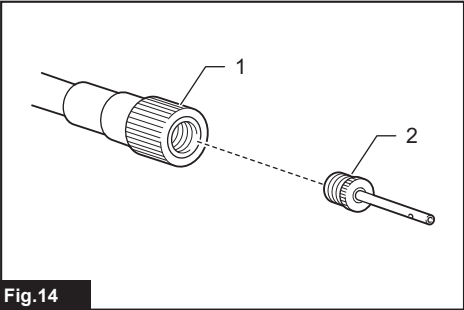


Fig.14

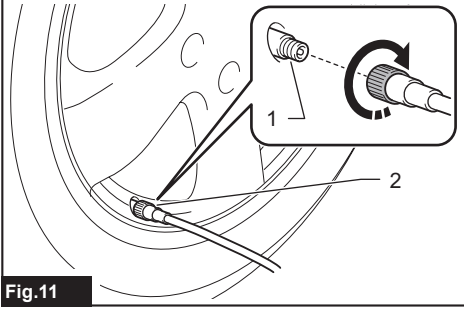


Fig.11

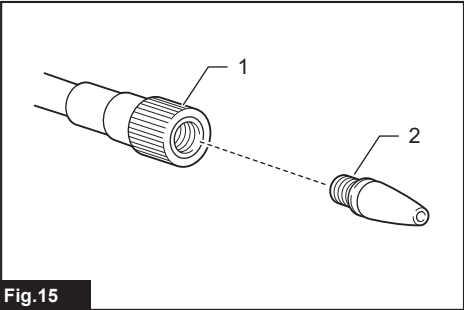


Fig.15

SPECIFICATIONS

Model:		MP001G
Overall length	with BL4025	320 mm
	with BL4040	329 mm
Maximum air pressure		1,110 kPa
Duty cycle		10 minutes On / 5 minutes Off
Rated voltage		D.C. 36 V - 40 V max
Net weight		2.9 - 3.5 kg

- Due to our continuing program of research and development, the specifications herein are subject to change without notice.
- Specifications and battery cartridge may differ from country to country.
- The weight may differ depending on the attachment(s), including the battery cartridge. The lightest and heaviest combinations, according to EPTA-Procedure 01/2014, are shown in the table.

Applicable battery cartridge and charger

For the countries other than Taiwan and Korea

Battery cartridge	BL4020 / BL4025 / BL4040 / BL4050F
Charger	DC40RA / DC40RB / DC40RC

- Some of the battery cartridges and chargers listed above may not be available depending on your region of residence.

⚠WARNING: Only use the battery cartridges and chargers listed above. Use of any other battery cartridges and chargers may cause injury and/or fire.

For Taiwan

Battery cartridge	BL4025 / BL4040
Charger	DC40RA

- Some of the battery cartridges and chargers listed above may not be available depending on your region of residence.

⚠WARNING: Only use the battery cartridges and chargers listed above. Use of any other battery cartridges and chargers may cause injury and/or fire.

For Korea

Battery cartridge	BL4025 / BL4040
Charger	DC40RA

- Some of the battery cartridges and chargers listed above may not be available depending on your region of residence.

⚠WARNING: Only use the battery cartridges and chargers listed above. Use of any other battery cartridges and chargers may cause injury and/or fire.

Symbols

The followings show the symbols which may be used for the equipment. Be sure that you understand their meaning before use.



Read instruction manual.



Risk of bursting.



NI-MH
Li-ion

Only for EU countries
Due to the presence of hazardous components in the equipment, waste electrical and electronic equipment, accumulators and batteries may have a negative impact on the environment and human health. Do not dispose of electrical and electronic appliances or batteries with household waste!

In accordance with the European Directive on waste electrical and electronic equipment and on accumulators and batteries and waste accumulators and batteries, as well as their adaptation to national law, waste electrical equipment, batteries and accumulators should be stored separately and delivered to a separate collection point for municipal waste, operating in accordance with the regulations on environmental protection.

This is indicated by the symbol of the crossed-out wheeled bin placed on the equipment.

Intended use

This tool is intended for inflating tire, sport ball, or small floating tube.

SAFETY WARNINGS

General power tool safety warnings

⚠ WARNING: Read all safety warnings, instructions, illustrations and specifications provided with this power tool. Failure to follow all instructions listed below may result in electric shock, fire and/or serious injury.

Save all warnings and instructions for future reference.

The term "power tool" in the warnings refers to your mains-operated (corded) power tool or battery-operated (cordless) power tool.

Work area safety

1. **Keep work area clean and well lit.** Cluttered or dark areas invite accidents.
2. **Do not operate power tools in explosive atmospheres, such as in the presence of flammable liquids, gases or dust.** Power tools create sparks which may ignite the dust or fumes.

3. **Keep children and bystanders away while operating a power tool.** Distractions can cause you to lose control.

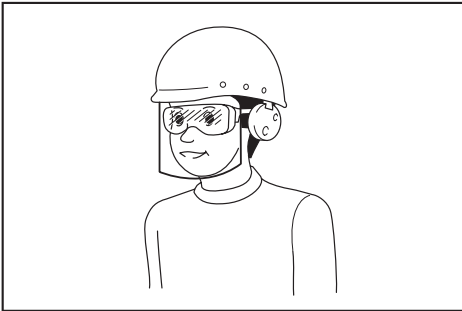
Electrical safety

1. **Power tool plugs must match the outlet. Never modify the plug in any way. Do not use any adapter plugs with earthed (grounded) power tools.** Unmodified plugs and matching outlets will reduce risk of electric shock.
2. **Avoid body contact with earthed or grounded surfaces, such as pipes, radiators, ranges and refrigerators.** There is an increased risk of electric shock if your body is earthed or grounded.
3. **Do not expose power tools to rain or wet conditions.** Water entering a power tool will increase the risk of electric shock.
4. **Do not abuse the cord. Never use the cord for carrying, pulling or unplugging the power tool. Keep cord away from heat, oil, sharp edges or moving parts.** Damaged or entangled cords increase the risk of electric shock.
5. **When operating a power tool outdoors, use an extension cord suitable for outdoor use.** Use of a cord suitable for outdoor use reduces the risk of electric shock.
6. **If operating a power tool in a damp location is unavoidable, use a residual current device (RCD) protected supply.** Use of an RCD reduces the risk of electric shock.
7. **Power tools can produce electromagnetic fields (EMF) that are not harmful to the user.** However, users of pacemakers and other similar medical devices should contact the maker of their device and/or doctor for advice before operating this power tool.

Personal safety

1. **Stay alert, watch what you are doing and use common sense when operating a power tool. Do not use a power tool while you are tired or under the influence of drugs, alcohol or medication.** A moment of inattention while operating power tools may result in serious personal injury.
2. **Use personal protective equipment. Always wear eye protection.** Protective equipment such as a dust mask, non-skid safety shoes, hard hat or hearing protection used for appropriate conditions will reduce personal injuries.
3. **Prevent unintentional starting. Ensure the switch is in the off-position before connecting to power source and/or battery pack, picking up or carrying the tool.** Carrying power tools with your finger on the switch or energising power tools that have the switch on invites accidents.
4. **Remove any adjusting key or wrench before turning the power tool on.** A wrench or a key left attached to a rotating part of the power tool may result in personal injury.
5. **Do not overreach. Keep proper footing and balance at all times.** This enables better control of the power tool in unexpected situations.
6. **Dress properly. Do not wear loose clothing or jewellery. Keep your hair and clothing away from moving parts.** Loose clothes, jewellery or long hair can be caught in moving parts.

7. If devices are provided for the connection of dust extraction and collection facilities, ensure these are connected and properly used. Use of dust collection can reduce dust-related hazards.
8. Do not let familiarity gained from frequent use of tools allow you to become complacent and ignore tool safety principles. A careless action can cause severe injury within a fraction of a second.
9. Always wear protective goggles to protect your eyes from injury when using power tools. The goggles must comply with ANSI Z87.1 in the USA, EN 166 in Europe, or AS/NZS 1336 in Australia/New Zealand. In Australia/New Zealand, it is legally required to wear a face shield to protect your face, too.
7. Use the power tool, accessories and tool bits etc. in accordance with these instructions, taking into account the working conditions and the work to be performed. Use of the power tool for operations different from those intended could result in a hazardous situation.
8. Keep handles and grasping surfaces dry, clean and free from oil and grease. Slippery handles and grasping surfaces do not allow for safe handling and control of the tool in unexpected situations.
9. When using the tool, do not wear cloth work gloves which may be entangled. The entanglement of cloth work gloves in the moving parts may result in personal injury.



It is an employer's responsibility to enforce the use of appropriate safety protective equipments by the tool operators and by other persons in the immediate working area.

Power tool use and care

1. Do not force the power tool. Use the correct power tool for your application. The correct power tool will do the job better and safer at the rate for which it was designed.
2. Do not use the power tool if the switch does not turn it on and off. Any power tool that cannot be controlled with the switch is dangerous and must be repaired.
3. Disconnect the plug from the power source and/or remove the battery pack, if detachable, from the power tool before making any adjustments, changing accessories, or storing power tools. Such preventive safety measures reduce the risk of starting the power tool accidentally.
4. Store idle power tools out of the reach of children and do not allow persons unfamiliar with the power tool or these instructions to operate the power tool. Power tools are dangerous in the hands of untrained users.
5. Maintain power tools and accessories. Check for misalignment or binding of moving parts, breakage of parts and any other condition that may affect the power tool's operation. If damaged, have the power tool repaired before use. Many accidents are caused by poorly maintained power tools.
6. Keep cutting tools sharp and clean. Properly maintained cutting tools with sharp cutting edges are less likely to bind and are easier to control.

Battery tool use and care

1. Recharge only with the charger specified by the manufacturer. A charger that is suitable for one type of battery pack may create a risk of fire when used with another battery pack.
2. Use power tools only with specifically designated battery packs. Use of any other battery packs may create a risk of injury and fire.
3. When battery pack is not in use, keep it away from other metal objects, like paper clips, coins, keys, nails, screws or other small metal objects, that can make a connection from one terminal to another. Shorting the battery terminals together may cause burns or a fire.
4. Under abusive conditions, liquid may be ejected from the battery; avoid contact. If contact accidentally occurs, flush with water. If liquid contacts eyes, additionally seek medical help. Liquid ejected from the battery may cause irritation or burns.
5. Do not use a battery pack or tool that is damaged or modified. Damaged or modified batteries may exhibit unpredictable behaviour resulting in fire, explosion or risk of injury.
6. Do not expose a battery pack or tool to fire or excessive temperature. Exposure to fire or temperature above 130 °C may cause explosion.
7. Follow all charging instructions and do not charge the battery pack or tool outside the temperature range specified in the instructions. Charging improperly or at temperatures outside the specified range may damage the battery and increase the risk of fire.

Service

1. Have your power tool serviced by a qualified repair person using only identical replacement parts. This will ensure that the safety of the power tool is maintained.
2. Never service damaged battery packs. Service of battery packs should only be performed by the manufacturer or authorized service providers.
3. Follow instruction for lubricating and changing accessories.

Cordless inflator safety warnings

1. When inflating objects, connect the air chuck, adapter, and valve tightly. Otherwise, the object, hose, air chuck, or adapter may be damaged and you may be injured.

2. **Release air pressure slowly. When removing the hose after inflating objects, hold the object, hose, and air chuck firmly.** The object, air chuck, or adapter may bounce due to exhaust air and cause an injury.
3. **Do not inflate object beyond the maximum pressure of the object.** Otherwise, the tool or object may be damaged and you may be injured.
4. **Do not use the tool beyond the maximum output pressure of the tool.** Using the tool at output pressure greater than the maximum output pressure of the tool may burst the object or the tool.
5. **Inflate the objects intended to be inflated by the manufacturer only, such as tire, sport ball, or small floating tube.** Inflating other objects may damage them and cause an injury.
6. **When inflating objects, check the pressure gauge, status of the tool and object, and check that there is no air leak.** Otherwise, the tool or object may be damaged and cause an injury.
7. **When carrying the tool, hold the handle of the tool. Do not hold or pull the hose.** The tool may be damaged and cause an injury.
8. **After inflating objects, check the air pressure using a reliable and calibrated measuring equipment.** Use the pressure gauge of the tool only as a reference.
9. **After using the tool for 10 minutes continuously, stop using the tool for 5 minutes for cooling down. Do not use the tool beyond the continuous operating time allowed.** Otherwise, the tool may be damaged and cause an injury.
10. **Do not use the tool on sand or dusty surface.** Foreign objects may enter the inside of the tool and cause a malfunction.
11. **Do not point the outlet of the hose to yourself or others.** Objects may be blown away and cause an injury.
12. **Do not point the outlet of the hose to dust or similar.** The dust may be scattered and cause an injury.
13. **Do not inflate large capacity objects.** If you inflate a large capacity object, the tool may become extremely hot and could burn your skin.
14. **Do not touch the tool, hose, air chuck, or adapter right after inflating objects.** The metal parts may become extremely hot and could burn your skin.
15. **Do not use the tool with wet hands.**
16. **Make sure that the hose is not entangled.** The entangled hose may cause loss of balance and cause an injury.
17. **Never leave the tool unattended when the hose is attached to the object or during operation.**
18. **Do not use the tool as a breathing device.**
19. **Do not use the tool to spray chemicals.** Your lungs may be damaged by inhaling toxic fumes.
20. **Operate the tool in an open area at least 50 cm away from any wall or object that could restrict air flow to ventilation openings.**
21. **Do not disassemble the tool.**
22. **Use only standard accessories provided by Makita.** The use of any other accessories or attachments might present a risk of injury to persons.
23. **Before you inflate a tire, make sure that there are no scratches or cracks in the tire.** Damaged tire can burst when it is inflated and cause an injury.
24. **While you inflate a tire, do not stay in front of its sidewall.**

Important safety instructions for battery cartridge

1. **Before using battery cartridge, read all instructions and cautionary markings on (1) battery charger, (2) battery, and (3) product using battery.**
2. **Do not disassemble or tamper the battery cartridge.** It may result in a fire, excessive heat, or explosion.
3. **If operating time has become excessively shorter, stop operating immediately. It may result in a risk of overheating, possible burns and even an explosion.**
4. **If electrolyte gets into your eyes, rinse them out with clear water and seek medical attention right away. It may result in loss of your eyesight.**
5. **Do not short the battery cartridge:**
 - (1) **Do not touch the terminals with any conductive material.**
 - (2) **Avoid storing battery cartridge in a container with other metal objects such as nails, coins, etc.**
 - (3) **Do not expose battery cartridge to water or rain.**

A battery short can cause a large current flow, overheating, possible burns and even a breakdown.
6. **Do not store and use the tool and battery cartridge in locations where the temperature may reach or exceed 50 °C (122 °F).**
7. **Do not incinerate the battery cartridge even if it is severely damaged or is completely worn out. The battery cartridge can explode in a fire.**
8. **Do not nail, cut, crush, throw, drop the battery cartridge, or hit against a hard object to the battery cartridge.** Such conduct may result in a fire, excessive heat, or explosion.
9. **Do not use a damaged battery.**
10. **The contained lithium-ion batteries are subject to the Dangerous Goods Legislation requirements.**

For commercial transports e.g. by third parties, forwarding agents, special requirement on packaging and labeling must be observed. For preparation of the item being shipped, consulting an expert for hazardous material is required. Please also observe possibly more detailed national regulations.

Tape or mask off open contacts and pack up the battery in such a manner that it cannot move around in the packaging.

11. When disposing the battery cartridge, remove it from the tool and dispose of it in a safe place. Follow your local regulations relating to disposal of battery.
12. Use the batteries only with the products specified by Makita. Installing the batteries to non-compliant products may result in a fire, excessive heat, explosion, or leak of electrolyte.
13. If the tool is not used for a long period of time, the battery must be removed from the tool.
14. During and after use, the battery cartridge may take on heat which can cause burns or low temperature burns. Pay attention to the handling of hot battery cartridges.
15. Do not touch the terminal of the tool immediately after use as it may get hot enough to cause burns.
16. Do not allow chips, dust, or soil stuck into the terminals, holes, and grooves of the battery cartridge. It may result in poor performance or breakdown of the tool or battery cartridge.
17. Unless the tool supports the use near high-voltage electrical power lines, do not use the battery cartridge near a high-voltage electrical power lines. It may result in a malfunction or breakdown of the tool or battery cartridge.
18. Keep the battery away from children.

SAVE THESE INSTRUCTIONS.

CAUTION: Only use genuine Makita batteries. Use of non-genuine Makita batteries, or batteries that have been altered, may result in the battery bursting causing fires, personal injury and damage. It will also void the Makita warranty for the Makita tool and charger.

Tips for maintaining maximum battery life

1. Charge the battery cartridge before completely discharged. Always stop tool operation and charge the battery cartridge when you notice less tool power.
2. Never recharge a fully charged battery cartridge. Overcharging shortens the battery service life.
3. Charge the battery cartridge with room temperature at 10 °C - 40 °C (50 °F - 104 °F). Let a hot battery cartridge cool down before charging it.
4. When not using the battery cartridge, remove it from the tool or the charger.
5. Charge the battery cartridge if you do not use it for a long period (more than six months).

FUNCTIONAL DESCRIPTION

CAUTION: Always be sure that the tool is switched off and the battery cartridge is removed before adjusting or checking function on the tool.

Installing or removing battery cartridge

CAUTION: Always switch off the tool before installing or removing of the battery cartridge.

CAUTION: Hold the tool and the battery cartridge firmly when installing or removing battery cartridge. Failure to hold the tool and the battery cartridge firmly may cause them to slip off your hands and result in damage to the tool and battery cartridge and a personal injury.

► Fig.1: 1. Red indicator 2. Button 3. Battery cartridge

To remove the battery cartridge, slide it from the tool while sliding the button on the front of the cartridge.

To install the battery cartridge, align the tongue on the battery cartridge with the groove in the housing and slip it into place. Insert it all the way until it locks in place with a little click. If you can see the red indicator as shown in the figure, it is not locked completely.

CAUTION: Always install the battery cartridge fully until the red indicator cannot be seen. If not, it may accidentally fall out of the tool, causing injury to you or someone around you.

CAUTION: Do not install the battery cartridge forcibly. If the cartridge does not slide in easily, it is not being inserted correctly.

Indicating the remaining battery capacity

Press the check button on the battery cartridge to indicate the remaining battery capacity. The indicator lamps light up for a few seconds.

► **Fig.2:** 1. Indicator lamps 2. Check button

Indicator lamps			Remaining capacity
Lighted	Off	Blinking	
■	□	▧	75% to 100%
■ ■ ■ ■			
■ ■ ■ □			50% to 75%
■ ■ □ □			25% to 50%
■ □ □ □			0% to 25%
▧ □ □ □			Charge the battery.
■ ■ □ □			The battery may have malfunctioned.
□ □ ■ ■	↑ ↓		

NOTE: Depending on the conditions of use and the ambient temperature, the indication may differ slightly from the actual capacity.

NOTE: The first (far left) indicator lamp will blink when the battery protection system works.

Tool / battery protection system

The tool is equipped with a tool/battery protection system. This system automatically cuts off the power to extend tool and battery life. The tool will automatically stop during operation if the tool or battery is placed under one of the following conditions:

Overload protection

This protection works when the tool/battery is operated in a manner that causes it to draw an abnormally high current. In this situation, turn the tool off and stop the application that caused the tool to become overloaded. Then turn the tool on to restart.

Overheat protection

This protection works when the tool/battery is overheated. The lamp blinks and the overheat warning icon is displayed on the pressure gauge. In this situation, turn the tool off and let the tool and battery cool down. Then, turn the tool on again.

Overdischarge protection

This protection works when the remaining battery capacity gets low. In this situation, remove the battery from the tool and charge the battery.

Main power switch

⚠WARNING: Always turn off the main power switch when not in use.

⚠CAUTION: When carrying the tool, turn off the main power switch. Otherwise, pulling the switch trigger unintentionally may cause an injury.

► **Fig.3:** 1. Main power switch

To turn on the tool, press the main power switch. To turn off the tool, press the main power switch again.

NOTE: This tool employs the auto power-off function. To avoid unintentional start up, the main power switch will automatically shut down when the switch trigger is not pulled for a certain period after the main power switch is turned on.

Switch action

⚠WARNING: Before installing the battery cartridge into the tool, always check to see that the switch trigger actuates properly and returns to the "OFF" position when released.

⚠WARNING: Do not attach a tape or such to keep the switch trigger in the "ON" position.

To start the tool, simply pull the switch trigger. Release the switch trigger to stop.

► **Fig.4:** 1. Switch trigger

Pressure gauge

► **Fig.5**

1	Overheat warning icon
2	Inflation mode
3	[-] button
4	[M] button
5	[+] button
6	Inflation progress indicator
7	Current pressure value
8	Target pressure value
9	Pressure value unit

If the object to be inflated is connected to the tool, the current pressure value of the object is displayed on the pressure gauge when you turn on the tool. If nothing is connected to the tool, the pressure gauge displays "0". The pressure gauge also displays the target pressure value, pressure value unit, and inflation mode. They are the same as the last time.

When you start inflation, the inflation progress indicator is displayed. The inflation completes when the inflation progress indicator comes to the right end.




Setting the target pressure value

Press the [M] button, and select the pressure value unit. The pressure value unit is changed each time you press the [M] button. You can select one of the three units: PSI, BAR, or KPA.

To increase the target pressure value, press the [+] button. To decrease the target pressure value, press the [-] button. You can set the target pressure value between 35 kPa (5 PSI) and 1,110 kPa (161 PSI).

Setting the inflation mode

Press the [M] button for 3 seconds. The inflation mode is changed each time you press and hold the [M] button. You can select one of the three modes as follows.

Mode	Display	Purpose	Adjustable pressure range
Ball		To inflate balls	35 to 110 kPa (5 to 16 PSI)
Low speed		To inflate objects in low speed	35 to 1,110 kPa (5 to 161 PSI)
High speed		To inflate objects in high speed	

NOTE: Be sure to select the ball mode when you inflate a ball using a sport ball needle. If other mode is selected, the inflation cannot be performed properly.

NOTE: Be sure to select the low speed mode when you inflate an object using an English valve adapter. If other mode is selected, the inflation cannot be performed properly.

Lighting up the front lamp

When you turn on the tool by pressing the main power switch, the lamp lights up. When you turn off the tool by pressing the main power switch, the lamp goes out.

► **Fig.6:** 1. Lamp 2. Main power switch

CAUTION: Do not look in the light or see the source of light directly.

NOTICE: When the tool is overheated, the lamp blinks. Turn the tool off and let the tool cool down fully before operating the tool again.

NOTE: Use a dry cloth to wipe the dirt off the lens of the lamp. Be careful not to scratch the lens of lamp, or it may lower the illumination.

Storing adapter

The adapters can be stored in the adapter holder of the tool. Insert the sport ball needle into the Presta valve adapter before attaching them to the adapter holder.

► **Fig.7:** 1. Sport ball needle 2. Presta valve adapter 3. Adapter holder 4. Tapered adapter

Storing hose

The hose can be attached to the hose holder of the tool.

► **Fig.8:** 1. Hose holder 2. Hose

Air release button

NOTICE: While the English valve adapter is attached to the tool, the air does not go out even when you press the air release button.

When the object is inflated too much, press the air release button to release air.

► **Fig.9:** 1. Air release button

OPERATION

NOTE: The standard adapters vary depending on the country.

Using the English valve adapter

NOTICE: Be sure to select the low speed mode when you inflate an object using an English valve adapter. If other mode is selected, the inflation cannot be performed properly.

1. Insert the English valve adapter into the air chuck.
2. Attach the English valve adapter to the valve stem while opening the English valve adapter.
► **Fig.10:** 1. English valve adapter 2. Air chuck 3. Valve stem
3. Turn on the tool.
4. Inflate the tire by pulling the switch trigger while checking the status of the tire.

NOTICE: When using the English valve adapter, the pressure gauge will not display an accurate value due to characteristics of the valve. When inflating a tire, do not use the value on the pressure gauge, but inflate it by checking the status of the tire.

If the tool stops before the tire reaches the desired air pressure, adjust the pressure value, and then inflate the tire again.

Using the Schrader valve adapter

1. Attach the air chuck to the valve stem.
► **Fig.11:** 1. Valve stem 2. Air chuck
2. Turn on the tool, and then set the pressure value appropriate for the tire using the pressure gauge.
3. Keep pulling the switch trigger until the tool stops. The tire is inflated with the specified pressure.

Using the Presta valve adapter

- Loosen the locking nut on the valve stem.
▶ **Fig.12:** 1. Locking nut
- Attach the Presta valve adapter to the valve stem, and then attach the air chuck to the Presta valve adapter.
▶ **Fig.13:** 1. Presta valve adapter 2. Valve stem 3. Air chuck
- Turn on the tool, and then set the pressure value appropriate for the tire using the pressure gauge.
- Keep pulling the switch trigger until the tool stops. The tire is inflated with the specified pressure.
- Remove the air chuck and Presta valve adapter, and then tighten the locking nut.

Using the sport ball needle

NOTICE: Be sure to select the ball mode when you inflate a ball using a sport ball needle. If other mode is selected, the inflation cannot be performed properly.

To inflate sport balls, use the sport ball needle.

- Attach the sport ball needle to the air chuck.
▶ **Fig.14:** 1. Air chuck 2. Sport ball needle
- Insert the sport ball needle into the hole on the ball.
- Turn on the tool.
- Set the inflation mode to the ball mode, and set the pressure value appropriate for the ball using the pressure gauge.
- Keep pulling the switch trigger until the tool stops. The ball is inflated with the specified pressure.

Using the tapered adapter

CAUTION: Be careful not to inflate the floating tube too much.

To inflate floating tubes, use the tapered adapter.

- Attach the tapered adapter to the air chuck.
▶ **Fig.15:** 1. Air chuck 2. Tapered adapter
- Insert the tapered adapter into the hole on the floating tube.
- Turn on the tool.
- Inflate the floating tube by pulling the switch trigger while checking the status of the floating tube.

NOTICE: When inflating a floating tube, do not refer to the current pressure value on the pressure gauge. The pressure gauge does not display an accurate current pressure value when the pressure of floating tube is less than 35 kPa (5 PSI).

MAINTENANCE

CAUTION: Always be sure that the tool is switched off and the battery cartridge is removed before attempting to perform inspection or maintenance.

NOTICE: Never use gasoline, benzine, thinner, alcohol or the like. Discoloration, deformation or cracks may result.

To maintain product SAFETY and RELIABILITY, repairs, any other maintenance or adjustment should be performed by Makita Authorized or Factory Service Centers, always using Makita replacement parts.

OPTIONAL ACCESSORIES

CAUTION: These accessories or attachments are recommended for use with your Makita tool specified in this manual. The use of any other accessories or attachments might present a risk of injury to persons. Only use accessory or attachment for its stated purpose.

If you need any assistance for more details regarding these accessories, ask your local Makita Service Center.

- Makita genuine battery and charger

NOTE: Some items in the list may be included in the tool package as standard accessories. They may differ from country to country.

ESPECIFICAÇÕES

Modelo:		MP001G
Comprimento total	Com a bateria BL4025	320 mm
	Com a bateria BL4040	329 mm
Pressão máxima de ar		1.110 kPa
Ciclo de serviço		10 minutos ligado / 5 minutos desligado
Tensão nominal		36 V - 40 V máx. CC
Peso líquido		2,9 - 3,5 kg

- Devido ao nosso contínuo programa de pesquisa e desenvolvimento, reservamo-nos o direito de alterar especificações de partes e acessórios que constam neste manual, sem aviso prévio.
- As especificações e a bateria podem diferir de país para país.
- O peso pode variar de acordo com o(s) acessório(s), incluindo a bateria. A combinação mais leve e a mais pesada, de acordo com o Procedimento 01/2014 da EPTA, estão mostradas na tabela.

Bateria e carregador aplicáveis

Para outros países exceto Taiwan e Coreia do Sul

Bateria	BL4020 / BL4025 / BL4040 / BL4050F
Carregador	DC40RA / DC40RB / DC40RC

- Alguns dos carregadores e baterias listados acima podem não estar disponíveis na sua região de residência.

⚠AVISO: Use somente as baterias e carregadores listados acima. O uso de outras baterias e carregadores pode provocar ferimentos e/ou incêndios.

Para Taiwan

Bateria	BL4025 / BL4040
Carregador	DC40RA

- Alguns dos carregadores e baterias listados acima podem não estar disponíveis na sua região de residência.

⚠AVISO: Use somente as baterias e carregadores listados acima. O uso de outras baterias e carregadores pode provocar ferimentos e/ou incêndios.

Para a Coreia do Sul

Bateria	BL4025 / BL4040
Carregador	DC40RA

- Alguns dos carregadores e baterias listados acima podem não estar disponíveis na sua região de residência.

⚠AVISO: Use somente as baterias e carregadores listados acima. O uso de outras baterias e carregadores pode provocar ferimentos e/ou incêndios.

Símbolos

Os símbolos mostrados a seguir podem ser usados para o equipamento. Certifique-se de compreender o significado deles antes de usar o equipamento.



Leia o manual de instruções.



Risco de estouro.



Apenas para países da UE
Devido à presença de componentes perigosos nos equipamentos, resíduos de equipamentos elétricos e eletrônicos, acumuladores e baterias podem gerar impactos negativos sobre o meio ambiente e a saúde humana.

Não descarte aparelhos elétricos e eletrônicos ou baterias juntamente com o lixo doméstico!

De acordo com a Diretiva Europeia relativa aos resíduos de equipamentos elétricos e eletrônicos, e a acumuladores, baterias e os resíduos destes, bem como sua adaptação como legislação nacional, resíduos de equipamentos elétricos e eletrônicos, baterias e acumuladores devem ser armazenados separadamente e enviados para um ponto de coleta de resíduos municipais separado, que opere em conformidade com as regulamentações de proteção ambiental.

Isso é indicado pelo símbolo da lixeira com um X afixado no equipamento.

Indicação de uso

Esta ferramenta é indicada para encher pneus, bolas de esportes ou pequenas boias.

AVISOS DE SEGURANÇA

Avisos gerais de segurança para ferramentas elétricas

⚠️ AVISO: Leia todas as advertências de segurança, instruções, ilustrações e especificações fornecidas com esta ferramenta elétrica. O descumprimento das instruções descritas abaixo pode resultar em choque elétrico, incêndio e/ou ferimentos graves.

Guarde todos esses avisos e instruções para futuras referências.

O termo “ferramenta elétrica” nos avisos refere-se a ferramentas operadas através de conexão à rede elétrica (com cabo) ou por bateria (sem cabo).

Segurança na área de trabalho

1. **Mantenha a área de trabalho limpa e bem iluminada.** Áreas desorganizadas ou escuras são mais propícias a acidentes.

2. **Não use ferramentas elétricas em atmosferas explosivas, como as que contêm líquidos, gases ou poeiras inflamáveis.** Ferramentas elétricas geram faíscas que podem incendiar poeiras ou vapores.
3. **Mantenha crianças e espectadores longe do local de operação da ferramenta elétrica.** Distrações podem fazer com que você perca o controle.

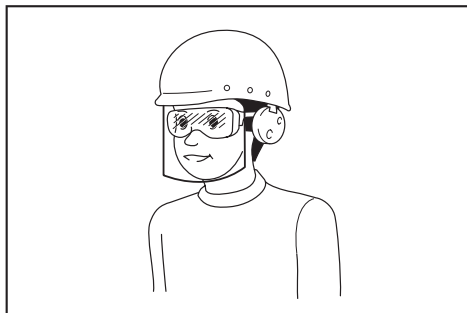
Segurança elétrica

1. **As tomadas da ferramenta elétrica devem ser compatíveis com as tomadas na parede. Nunca faça qualquer tipo de modificação nas tomadas da ferramenta. Não use adaptadores de tomada em ferramentas elétricas aterradas.** Tomadas não modificadas e compatíveis com as tomadas na parede reduzem o risco de choque elétrico.
2. **Evite o contato corporal com superfícies aterradas, como tubulações, fogões, geladeiras, radiadores, etc.** Há um maior risco de choque elétrico se o seu corpo estiver conectado à terra.
3. **Não exponha ferramentas elétricas a chuva ou condições molhadas.** Se entrar água em uma ferramenta elétrica, o risco de choque elétrico aumenta.
4. **Use o cabo da ferramenta com cuidado. Nunca o use para carregar ou puxar a ferramenta ou desligá-la da tomada. Mantenha o cabo afastado de fontes de calor, óleo, arestas vivas e partes em movimento.** Cabos danificados ou emaranhados aumentam o risco de choque elétrico.
5. **Para operar uma ferramenta elétrica ao ar livre, use um cabo de extensão adequado para uso externo.** O uso de um cabo específico para uso externo reduz o risco de choque elétrico.
6. **Se for inevitável operar uma ferramenta elétrica em local úmido, use um dispositivo de proteção contra corrente residual (DCR).** O uso de um dispositivo DCR reduz o risco de choque elétrico.
7. **Ferramentas elétricas podem produzir campos eletromagnéticos (EMF), que não são nocivos aos usuários.** Todavia, usuários com marca-passos ou outros dispositivos médicos semelhantes devem entrar em contato com os fabricantes de seus dispositivos e/ou médicos para obter orientação antes de usar esta ferramenta elétrica.

Segurança pessoal

1. **Mantenha-se alerta, preste atenção no que está fazendo e use bom senso ao operar ferramentas elétricas. Não use ferramentas elétricas quando estiver cansado ou sob a influência de drogas, álcool ou medicamentos.** Uma pequena falta de atenção durante a operação de ferramentas elétricas pode causar lesões pessoais graves.
2. **Use equipamentos de proteção individual. Use sempre óculos de proteção.** Equipamentos de proteção, como máscara contra pó, sapatos de segurança antiderrapantes, capacete de segurança e protetores auditivos, reduzem lesões pessoais quando usados conforme exigido pelas condições.

3. **Evite ligar a ferramenta acidentalmente. Certifique-se de que o interruptor está na posição desligada antes de conectar a fonte de energia e/ou bateria, ou pegar e carregar a ferramenta.** Carregar ferramentas elétricas com o dedo no interruptor ou energizadas e o interruptor ligado pode causar acidentes.
4. **Remova as chaves de ajuste ou chaves de boca antes de ligar a ferramenta elétrica.** Uma chave de boca ou de ajuste conectada a uma peça rotativa da ferramenta elétrica pode resultar em lesão pessoal.
5. **Não tente alcançar posições distantes demais. Mantenha sempre os pés bem assentados e firmes.** Isto permite que você tenha um melhor controle da ferramenta elétrica em situações inesperadas.
6. **Vista-se apropriadamente. Não use roupas soltas nem acessórios. Mantenha os cabelos e roupas afastados de partes móveis.** Roupas soltas, acessórios e cabelos compridos podem se enroscar em partes móveis.
7. **Se forem fornecidos equipamentos para ligação de extração e coleta de pó, certifique-se de que eles sejam conectados e usados corretamente.** O uso de coletor de pó pode reduzir os riscos relacionados a pó.
8. **Não permita que a familiaridade adquirida com o uso frequente de ferramentas o torne complacente e o faça ignorar os princípios de segurança das ferramentas.** Uma ação descuidada pode provocar lesões sérias em uma fração de segundo.
9. **Use sempre óculos de proteção para proteger os olhos contra ferimentos ao usar ferramentas elétricas. Os óculos de proteção devem atender à norma ANSI Z87.1 nos EUA, à norma EN 166 na Europa, ou à norma AS/NZS 1336 na Austrália/Nova Zelândia. Na Austrália/Nova Zelândia, o uso de um protetor facial também é exigido por lei para a proteção do rosto.**



É responsabilidade do empregador garantir que os equipamentos de proteção individual apropriados sejam usados pelos operadores da ferramenta ou por outras pessoas que estiverem na área de trabalho imediata.

Uso e cuidados de manuseio da ferramenta elétrica

1. **Não force a ferramenta elétrica. Use a ferramenta elétrica correta para a sua aplicação.** A ferramenta elétrica correta executada um melhor trabalho e é mais segura quando operada à velocidade para a qual foi projetada.
2. **Não utilize a ferramenta elétrica se não for possível ligar e desligar o interruptor.** Qualquer ferramenta que não possa ser controlada pelo interruptor é perigosa e tem que ser reparada.
3. **Desconecte a tomada da fonte de alimentação ou retire a bateria, se removível, da ferramenta elétrica antes de fazer ajustes, trocar acessórios ou guardar a ferramenta elétrica.** Estas medidas preventivas de segurança reduzem o risco de a ferramenta elétrica ser acionada acidentalmente.
4. **Coloque ferramentas elétricas que estejam funcionando em vazio longe do alcance de crianças e não permita que pessoas não familiarizadas com a ferramenta, ou com estas instruções, a operem.** Ferramentas elétricas são perigosas nas mãos de pessoas não treinadas.
5. **Execute a manutenção de ferramentas elétricas e acessórios. Verifique o desalinhamento e emperramento de partes móveis, a quebra de peças e todas as demais condições que possam afetar a operação da ferramenta elétrica. Em caso de danos, providencie para que a ferramenta elétrica seja reparada antes do uso.** Muitos acidentes são provocados pela manutenção insatisfatória de ferramentas elétricas.
6. **Mantenha as ferramentas de corte afiadas e limpas.** Ferramentas de corte devidamente mantidas com as arestas de corte afiadas têm menos probabilidade de emperrar e são mais fáceis de controlar.
7. **Use a ferramenta elétrica, os acessórios, as pontas cortantes da ferramenta, etc. de acordo com estas instruções, levando em conta as condições de trabalho e a tarefa a ser realizada.** O uso da ferramenta elétrica para realizar operações diferentes daquelas para as quais foi projetada pode resultar em situações perigosas.
8. **Mantenha empunhaduras e superfícies de agarre secas, limpas e isentas de óleos e graxas.** Empunhaduras e superfícies de agarre escorregadias não permitem o manuseio e controle seguros da ferramenta em situações inesperadas.
9. **Ao usar esta ferramenta, não use luvas de trabalho de tecido que possam ficar enroscadas.** O enroscamento de luvas de trabalho de tecido nas partes móveis pode resultar em ferimentos pessoais.

Uso e cuidados de manuseio da bateria

1. **Recarregue somente com o carregador especificado pelo fabricante.** Um carregador que é adequado para um tipo de bateria pode criar risco de incêndio quando usado com outra bateria.
2. **Use as ferramentas elétricas somente com as baterias especificamente designadas.** O uso de qualquer outro tipo de bateria pode criar riscos de lesão e incêndio.

3. **Quando a bateria não estiver em uso, mantenha-a longe de outros objetos metálicos, como cliques, moedas, chaves, pregos, parafusos, etc., que podem conectar um terminal ao outro.** O curto-circuito dos terminais da bateria pode causar queimaduras ou incêndio.
4. **Sob condições extremas, a bateria pode ejetar líquido; evite contato com tal líquido. Se ocorrer um contato acidental, lave com água. Se o líquido entrar nos olhos, procure também assistência médica.** O líquido ejetado pela bateria pode causar irritação e queimaduras.
5. **Não use uma bateria ou ferramenta que esteja danificada ou tenha sido modificada.** Baterias danificadas ou modificadas podem exibir um comportamento imprevisível, resultando em incêndio, explosão ou risco de lesões.
6. **Não exponha a bateria nem a ferramenta a chamas ou a temperaturas excessivas.** A exposição a chamas ou a uma temperatura acima de 130 °C podem causar explosão.
7. **Siga todas as instruções de carregamento e não carregue a bateria nem a ferramenta fora da faixa de temperatura especificada nas instruções.** O carregamento inadequado ou a temperaturas fora da faixa especificada pode danificar a bateria e aumentar o risco de incêndio.
6. **Ao encher objetos, verifique o manômetro, o status da ferramenta e do objeto e certifique-se de que não existem fugas de ar.** Caso contrário, a ferramenta ou o objeto poderão sofrer danos e provocar ferimentos.
7. **Ao transportar a ferramenta, segure-a pela empunhadura. Não segure nem puxe pela mangueira.** A ferramenta poderá sofrer danos e provocar ferimentos.
8. **Depois de encher os objetos, verifique a pressão de ar usando um equipamento de medição confiável e calibrado.** Utilize o manômetro da ferramenta apenas como referência.
9. **Depois de usar a ferramenta por 10 minutos continuamente, pare de usá-la por 5 minutos para que ela esfrie. Não use a ferramenta além do período de operação contínua permitido.** Caso contrário, a ferramenta poderá sofrer danos e provocar ferimentos.
10. **Não use a ferramenta em superfícies com areia ou empoeiradas.** Objetos estranhos poderão entrar na ferramenta e provocar problemas de funcionamento.
11. **Não aponte a saída da mangueira para si mesmo ou para outras pessoas.** Os objetos poderão ser arremessados e provocar ferimentos.
12. **Não aponte a saída da mangueira para peiras ou materiais semelhantes.** As poeiras poderão ser dispersas e provocar ferimentos.

Serviços de reparo

1. **Os serviços de reparo devem ser conduzidos por um técnico qualificado e usando somente peças de reposição idênticas.** Isso irá garantir que a segurança da ferramenta elétrica será mantida.
2. **Nunca execute a manutenção em baterias danificadas.** A manutenção de baterias somente deve ser realizada pelo fabricante ou por prestadores de serviços autorizados.
3. **Siga as instruções para lubrificação e mudança de acessórios.**
13. **Não encha objetos de grande capacidade.** Se você encher um objeto de grande capacidade, a ferramenta poderá ficar extremamente quente e causar queimaduras na sua pele.
14. **Não encoste na ferramenta, mangueira, mandril de ar ou no adaptador logo depois de encher objetos.** As peças metálicas podem ficar extremamente quentes e causar queimaduras na sua pele.
15. **Não use a ferramenta com as mãos molhadas.**
16. **Certifique-se de que a mangueira não está emaranhada.** A mangueira emaranhada pode causar a perda de equilíbrio e provocar ferimentos.

Avisos de segurança do compressor a bateria

1. **Ao encher objetos, conecte o mandril de ar, o adaptador e a válvula com firmeza.** Caso contrário, o objeto, a mangueira, o mandril de ar ou o adaptador poderão sofrer danos e você poderá se ferir.
2. **Libere a pressão do ar lentamente. Ao remover a mangueira depois de encher objetos, segure o objeto, a mangueira e o mandril de ar com firmeza.** O objeto, o mandril de ar ou o adaptador poderão ricochetear devido ao ar de escape e provocar ferimentos.
3. **Não encha um objeto além de sua pressão máxima.** Caso contrário, a ferramenta ou o objeto poderão sofrer danos e você poderá se ferir.
4. **Não use a ferramenta além da pressão máxima de saída.** Usar a ferramenta a uma pressão de saída maior que a pressão máxima de saída pode causar a explosão do objeto ou da ferramenta.
5. **Encha apenas os objetos indicados pelo fabricante, tais como pneus, bolas de esportes ou pequenas boias.** Encher outros objetos poderá danificá-los e provocar ferimentos.
17. **Nunca deixe a ferramenta sem supervisão quando a mangueira estiver acoplada ao objeto ou durante a operação.**
18. **Não utilize a ferramenta como um respirador.**
19. **Não use a ferramenta para vaporizar produtos químicos.** Seus pulmões poderão sofrer danos com a inalação de fumos tóxicos.
20. **Opere a ferramenta em uma área aberta, afastado a pelo menos 50 cm de distância das paredes ou de qualquer objeto que possa restringir o fluxo de ar para as aberturas de ventilação.**
21. **Não desmonte a ferramenta.**
22. **Use somente os acessórios padrão fornecidos pela Makita.** A utilização de outros acessórios pode oferecer risco de ferimentos em pessoas.
23. **Antes de encher um pneu, certifique-se de que ele não apresenta arranhões ou fissuras.** Um pneu danificado pode estourar durante o enchimento e provocar ferimentos.

24. Enquanto estiver enchendo um pneu, não fique em frente à parede lateral dele.

Instruções de segurança importantes para o cartucho da bateria

1. Antes de utilizar a bateria, leia todas as instruções e notas de precaução do (1) carregador de bateria, da (2) bateria e do (3) produto usando a bateria.
2. Não desmonte nem adultere a bateria. Isto poderia resultar em incêndio, aquecimento excessivo ou explosão.
3. Se o tempo de operação se tornar excessivamente mais curto, pare imediatamente a operação. Operação nessas condições poderá resultar em superaquecimento, possíveis queimaduras e até explosão.
4. Caso caia eletrólitos em seus olhos, lave-os com água limpa e procure assistência de um médico imediatamente. Esse acidente pode resultar na perda de visão.
5. Não provoque um curto-circuito na bateria:
 - (1) Não toque nos terminais com nenhum material condutor.
 - (2) Não guarde a bateria junto com outros objetos metálicos, tais como pregos, moedas, etc.
 - (3) Não exponha a bateria à chuva ou água. Um curto-circuito na bateria pode causar sobrecarga de corrente, aquecimento excessivo ou possíveis queimaduras ou avarias.
6. Não guarde nem use a ferramenta e a bateria em locais onde a temperatura possa atingir ou ultrapassar 50°C.
7. Não queime a bateria mesmo se estiver severamente danificada ou gasta. A bateria pode explodir no fogo.
8. Não perfure, corte, amasse, arremesse ou derrube a bateria, nem a atinja com um objeto rígido. Isto poderia resultar em incêndio, aquecimento excessivo ou explosão.
9. Não utilize uma bateria danificada.
10. As baterias de íons de lítio desta máquina estão sujeitas aos requisitos da legislação de produtos perigosos.

Para transportes comerciais, por exemplo por terceiros e agentes de embarque, os requisitos especiais referentes a embalagem e rotulagem devem ser obedecidos.

Para a preparação do item sendo expedido, é necessário consultar um especialista em materiais perigosos. Considere também que as regulamentações nacionais podem ser mais detalhadas e devem ser obedecidas.

Coloque fita ou tape os contatos abertos e embale a bateria de maneira que não se mova dentro da embalagem.
11. Para descartar a bateria, retire-a da ferramenta e descarte-a em um local seguro. Siga as regulamentações locais referentes ao descarte de baterias.

12. Use as baterias somente com os produtos especificados pela Makita. A instalação das baterias com produtos não compatíveis poderá resultar em incêndio, aquecimento excessivo, explosão ou vazamento de eletrólito.
13. A bateria deverá ser retirada da ferramenta caso esta não vá ser usada por um período de tempo prolongado.
14. Durante e após o uso, a bateria pode ficar quente e causar queimaduras normais ou queimaduras de baixa temperatura. Preste atenção ao manusear baterias quentes.
15. Não toque no terminal da ferramenta imediatamente depois de usá-la, uma vez que ele pode ficar quente o bastante para provocar queimaduras.
16. Não permita que aparas, poeira ou solo fiquem presos nos terminais, furos e ranhuras da bateria. Isso poderia resultar no desempenho deficiente ou em avarias da ferramenta ou da bateria.
17. A menos que a ferramenta seja compatível com o uso nas proximidades de linhas elétricas de alta tensão, não a use próximo a estas. Isso poderia resultar em problemas de funcionamento ou em avarias da ferramenta ou da bateria.
18. Mantenha a bateria fora do alcance de crianças.

GUARDE ESTAS INSTRUÇÕES.

⚠️ PRECAUÇÃO: Use somente baterias Makita originais. O uso de baterias Makita não originais ou baterias que foram alteradas pode causar a explosão da bateria e resultar em incêndio, ferimentos às pessoas na área e danos aos equipamentos. O uso de baterias não originais cancela a garantia Makita tanto para a ferramenta quanto para o carregador da bateria.

Dicas para manter a vida útil máxima da bateria

1. Carregue a bateria antes de uma descarga completa. Sempre pare a operação da ferramenta e carregue a bateria quando notar perda de potência.
2. Nunca recarregue uma bateria completamente carregada. O carregamento demasiado diminuirá a vida útil da bateria.
3. Carregue a bateria em uma temperatura ambiente entre 10°C e 40°C. Deixe a bateria esfriar antes de carregá-la.
4. Quando não estiver usando a bateria, remova-a da ferramenta ou do carregador.
5. Carregue a bateria se não utilizá-la por um longo período de tempo (mais de seis meses).

DESCRIÇÃO FUNCIONAL

⚠️ PRECAUÇÃO: Certifique-se sempre de que a ferramenta esteja desligada e a bateria retirada antes de executar qualquer ajuste ou verificação das funções da ferramenta.

Instalação ou remoção da bateria

⚠️ PRECAUÇÃO: Sempre desligue a ferramenta antes de colocar ou retirar a bateria.

⚠️ PRECAUÇÃO: Segure a ferramenta e a bateria firme ao colocar ou retirar a bateria. Falha em segurar a ferramenta e a bateria firmemente pode fazer com que elas escorreguem das mãos e sejam danificadas ou causem lesões pessoais.

► Fig.1: 1. Indicador vermelho 2. Botão 3. Bateria

Para retirar a bateria, deslize-a para fora ao mesmo tempo em que desliza o botão na frente da bateria.

Para instalar a bateria, alinhe a lingueta desta à ranhura no compartimento e encaixe-a em posição. Insira-a até o fim, até encaixar em posição com um pequeno clique. Se você puder ver o indicador vermelho, conforme mostrado na figura, isso significa que ela não está completamente encaixada.

⚠️ PRECAUÇÃO: Sempre coloque a bateria completamente, até não ver mais o indicador vermelho. Caso contrário, ela poderá cair da ferramenta acidentalmente e provocar ferimentos em você ou em alguém por perto.

⚠️ PRECAUÇÃO: Não force a colocação da bateria. Se ela não deslizar com facilidade é porque não está sendo colocada corretamente.

Indicação da capacidade restante das baterias

Pressione o botão de checagem na bateria para ver a capacidade restante das baterias. As lâmpadas indicadoras acendem por alguns segundos.

► Fig.2: 1. Lâmpadas indicadoras 2. Botão de checagem

Lâmpadas indicadoras			Capacidade restante
Acesa	Desl	Piscando	
■ ■ ■ ■	□ □ □ □	□ □ □ □	75% a 100%
■ ■ ■ □	□ □ □ □	□ □ □ □	50% a 75%
■ ■ □ □	□ □ □ □	□ □ □ □	25% a 50%
■ □ □ □	□ □ □ □	□ □ □ □	0% a 25%
▣ □ □ □	□ □ □ □	□ □ □ □	Carregue a bateria.
■ ■ □ □	□ □ □ □	□ □ □ □	A bateria pode ter falhado.
□ □ □ □	■ ■ ■ ■	□ □ □ □	

NOTA: Dependendo das condições de uso e da temperatura ambiente, a indicação pode ser um pouco diferente da capacidade real.

NOTA: A primeira lâmpada indicadora (extrema esquerda) pisca quando o sistema de proteção da bateria funciona.

Sistema de proteção da ferramenta / bateria

A ferramenta é equipada com um sistema de proteção da ferramenta/bateria. Esse sistema corta automaticamente a alimentação de energia para prolongar a vida útil da ferramenta e da bateria. A ferramenta para automaticamente durante a operação se uma das seguintes condições ocorrer com ela ou com a bateria:

Proteção contra sobrecarga

Esta proteção é acionada quando a ferramenta ou a bateria são operadas de tal maneira que isso causa um consumo anormalmente alto de corrente. Nesse caso, desligue a ferramenta e interrompa a aplicação que provocou a sobrecarga. Em seguida, ligue a ferramenta para reiniciar.

Proteção contra superaquecimento

Esta proteção atua quando a ferramenta ou a bateria aquecem demais. A lâmpada pisca e o ícone de aviso de aquecimento excessivo é mostrado no manômetro. Nesse caso, desligue a ferramenta e aguarde até que ela e a bateria esfriem. Em seguida, ligue a ferramenta novamente.

Proteção contra descarga excessiva

Esta proteção atua quando a capacidade restante da bateria fica baixa. Nesse caso, remova a bateria da ferramenta e recarregue-a.

Interruptor liga/desliga principal

AVISO: Desligue o interruptor liga/desliga principal sempre que a ferramenta não estiver em uso.

PRECAUÇÃO: Quando transportar a ferramenta, desligue o interruptor liga/desliga principal. Caso contrário, o gatilho do interruptor poderá ser acionado acidentalmente e provocar ferimentos.

► Fig.3: 1. Interruptor liga/desliga principal

Para ligar a ferramenta, pressione o interruptor liga/desliga principal. Para desligar a ferramenta, pressione o interruptor liga/desliga principal novamente.

NOTA: Esta ferramenta utiliza uma função de desligamento automático. Para evitar o acionamento acidental, o interruptor liga/desliga principal é automaticamente desligado quando o gatilho do interruptor não é puxado por um determinado período de tempo depois de o interruptor liga/desliga principal ser ligado.

Ação do interruptor

AVISO: Antes de colocar a bateria na ferramenta, verifique sempre se o gatilho funciona normalmente e se retorna para a posição "OFF" (DESL) quando é liberado.

AVISO: Não tente manter o gatilho do interruptor na posição "ON" (LIGADO) prendendo-o com fita adesiva ou semelhante.

Para ligar a ferramenta, basta apertar o gatilho do interruptor. Solte o gatilho do interruptor para parar.

► Fig.4: 1. Gatilho do interruptor

Manômetro

► Fig.5

1	Ícone de aviso de aquecimento excessivo
2	Modo de enchimento
3	Botão [-]
4	Botão [M]
5	Botão [+]
6	Indicador de progresso do enchimento
7	Valor presente da pressão
8	Valor de ajuste da pressão
9	Unidade do valor de pressão

Se o objeto a ser enchido estiver conectado à ferramenta, o valor presente da pressão do objeto será mostrado no manômetro quando a ferramenta for ligada. Se não houver nada conectado à ferramenta, o manômetro exibirá "0".

O manômetro também mostra o valor de ajuste da pressão, a unidade do valor de pressão e o modo de enchimento. Eles são os mesmos usados da última vez. Quando o enchimento for iniciado, o indicador de progresso do enchimento será mostrado. O enchimento termina quando o indicador de progresso do enchimento atinge a extremidade direita.

Definição do valor de ajuste da pressão

Pressione o botão [M] e selecione a unidade do valor de pressão. A unidade do valor de pressão muda toda vez que o botão [M] é pressionado. É possível selecionar uma destas três unidades: psi, bar ou kPa.

Para aumentar o valor de ajuste da pressão, pressione o botão [+]. Para reduzir o valor de ajuste da pressão, pressione o botão [-]. O valor de ajuste da pressão pode ser definido entre 35 kPa (5 psi) e 1.110 kPa (161 psi).

Seleção do modo de enchimento

Pressione o botão [M] por 3 segundos. O modo de enchimento é alterado toda vez que o botão [M] é mantido pressionado. É possível selecionar uma dos três modos a seguir.

Modo	Display	Finalidade	Faixa de pressão ajustável
Bola		Para encher bolas	35 a 110 kPa (5 a 16 psi)
Baixa velocidade		Para encher objetos a baixa velocidade	35 a 1.110 kPa (5 a 161 psi)
Alta velocidade		Para encher objetos a alta velocidade	

NOTA: Certifique-se de selecionar o modo de bola quando for encher uma bola usando o bico-agulha para bolas de esportes. Se outro modo for selecionado, o enchimento não poderá ser realizado corretamente.

NOTA: Certifique-se de selecionar o modo de baixa velocidade quando for encher um objeto usando o suporte da válvula Dunlop. Se outro modo for selecionado, o enchimento não poderá ser realizado corretamente.

Para acender a lâmpada frontal

Quando a ferramenta é ligada pressionando-se o interruptor liga/desliga principal, a lâmpada acende. Quando a ferramenta é desligada pressionando-se o interruptor liga/desliga principal, a lâmpada apaga.

► **Fig.6:** 1. Lâmpada 2. Interruptor liga/desliga principal

PRECAUÇÃO: Não olhe diretamente para a lâmpada ou a fonte luminosa.

OBSERVAÇÃO: Quando a ferramenta aquece demais, a lâmpada pisca. Desligue a ferramenta e aguarde até ela esfriar completamente antes de tornar a operá-la.

NOTA: Use um pano seco para tirar a poeira da lente da lâmpada. Tenha cuidado para não riscar a lente da lâmpada, pois a iluminação pode ser prejudicada.

Como guardar o adaptador

Os adaptadores podem ser guardados no suporte dos adaptadores da ferramenta. Insira o bico-agulha para bolas de esportes no adaptador da válvula Presta antes de colocá-los no suporte dos adaptadores.

► **Fig.7:** 1. Bico-agulha para bolas de esportes 2. Adaptador da válvula Presta 3. Suporte dos adaptadores 4. Adaptador cônico

Como guardar a mangueira

A mangueira pode ser colocada no suporte da mangueira da ferramenta.

► **Fig.8:** 1. Suporte da mangueira 2. Mangueira

Botão de alívio de ar

OBSERVAÇÃO: Enquanto o suporte da válvula Dunlop estiver acoplado à ferramenta, o ar não é aliviado mesmo que o botão de alívio de ar seja pressionado.

Se o objeto encher demais, pressione o botão de alívio de ar para soltar o ar.

► **Fig.9:** 1. Botão de alívio de ar

OPERAÇÃO

NOTA: Os adaptadores padrão variam de acordo com o país.

Como usar o adaptador da válvula Dunlop

OBSERVAÇÃO: Certifique-se de selecionar o modo de baixa velocidade quando for encher um objeto usando o suporte da válvula Dunlop. Se outro modo for selecionado, o enchimento não poderá ser realizado corretamente.

1. Insira o adaptador da válvula Dunlop no mandril de ar.
2. Instale o adaptador da válvula Dunlop na haste da válvula enquanto abre o adaptador da válvula Dunlop.
► **Fig.10:** 1. Suporte da válvula Dunlop 2. Mandril de ar 3. Haste da válvula
3. Ligue a ferramenta.
4. Encha o pneu puxando o gatilho do interruptor enquanto verifica o status do pneu.

OBSERVAÇÃO: Quando o adaptador da válvula Dunlop estiver sendo usado, o manômetro não exibirá um valor preciso, devido às características da válvula. Quando estiver enchendo um pneu, não use o valor do manômetro; encha o pneu verificando o seu status.

Se a ferramenta parar antes que o pneu atinja a pressão de ar desejada, ajuste o valor da pressão e encha o pneu novamente.

Como usar o adaptador da válvula Schrader

1. Coloque o mandril de ar na haste da válvula.
► **Fig.11:** 1. Haste da válvula 2. Mandril de ar
2. Ligue a ferramenta e ajuste o valor de pressão apropriado para o pneu usando o manômetro.
3. Continue a puxar o gatilho do interruptor até a ferramenta parar. O pneu estará cheio na pressão especificada.

Como usar o adaptador da válvula Presta

1. Desaperte a contraporca na haste da válvula.
► **Fig.12:** 1. Contraporca
2. Instale o adaptador da válvula Presta na haste da válvula e conecte o mandril de ar ao adaptador da válvula Presta.
► **Fig.13:** 1. Adaptador da válvula Presta 2. Haste da válvula 3. Mandril de ar
3. Ligue a ferramenta e ajuste o valor de pressão apropriado para o pneu usando o manômetro.
4. Continue a puxar o gatilho do interruptor até a ferramenta parar. O pneu estará cheio na pressão especificada.
5. Retire o mandril de ar e o adaptador da válvula Presta e aperte a contraporca.

Como usar o bico-agulha para bolas de esportes

OBSERVAÇÃO: Certifique-se de selecionar o modo de bola quando for encher uma bola usando o bico-agulha para bolas de esportes. Se outro modo for selecionado, o enchimento não poderá ser realizado corretamente.

Para encher bolas de esporte, use o bico-agulha para bolas de esportes.

1. Coloque o bico-agulha para bolas de esportes no mandril de ar.

► **Fig.14:** 1. Mandril de ar 2. Bico-agulha para bolas de esportes

2. Insira o bico-agulha para bolas de esportes no furo da bola.

3. Ligue a ferramenta.

4. Coloque o modo de enchimento em modo de bola e ajuste o valor de pressão apropriado para a bola usando o manômetro.

5. Aperte o gatilho do interruptor continuamente até a ferramenta parar. A bola estará cheia na pressão especificada.

Como usar o adaptador cônico

PRECAUÇÃO: Tome cuidado para não encher demais boias.

Para encher boias, use o adaptador cônico.

1. Coloque o adaptador cônico no mandril de ar.

► **Fig.15:** 1. Mandril de ar 2. Adaptador cônico

2. Insira o adaptador cônico no furo da boia.

3. Ligue a ferramenta.

4. Encha a boia apertando o gatilho do interruptor enquanto verifica o status da boia.

OBSERVAÇÃO: Quando estiver enchendo uma boia, não se baseie no valor presente da pressão mostrado no manômetro. O manômetro não exibe um valor preciso da pressão presente quando a pressão da boia é inferior a 35 kPa (5 psi).

MANUTENÇÃO

PRECAUÇÃO: Certifique-se sempre de que a ferramenta esteja desligada e a bateria retirada antes de realizar qualquer inspeção ou manutenção.

OBSERVAÇÃO: Nunca use gasolina, benzina, diluente, álcool ou produtos semelhantes. Pode ocorrer descoloração, deformação ou rachaduras.

Para manter a SEGURANÇA e a CONFIABILIDADE do produto, os reparos e qualquer outra manutenção ou ajustes devem ser feitos pelos centros autorizados de assistência técnica da Makita ou na própria fábrica da Makita, utilizando sempre peças originais Makita.

ACESSÓRIOS OPCIONAIS

PRECAUÇÃO: Os acessórios ou extensões especificados neste manual são recomendados para utilização com a sua ferramenta Makita. A utilização de quaisquer outros acessórios ou extensões pode causar risco de ferimentos. Utilize o acessório ou extensão apenas para o fim a que se destina.

Se necessitar de informações adicionais relativas a estes acessórios, solicite-as ao centro de assistência técnica Makita em sua região.

- Baterias e carregadores originais Makita

NOTA: Alguns itens da lista podem estar incluídos na embalagem da ferramenta como acessórios padrão. Eles podem variar de país para país.

SPESIFIKASI

Model:		MP001G
Panjang keseluruhan	dengan BL4025	320 mm
	dengan BL4040	329 mm
Tekanan udara maksimum		1.110 kPa
Siklus kerja		10 menit Nyala / 5 menit Mati
Tegangan terukur		D.C. 36 V - 40 V maks
Berat bersih		2,9 - 3,5 kg

- Karena kesinambungan program penelitian dan pengembangan kami, spesifikasi yang disebutkan di sini dapat berubah tanpa pemberitahuan.
- Spesifikasi dan kartrid baterai dapat berbeda dari satu negara ke negara lainnya.
- Berat alat mungkin berbeda tergantung perangkat tambahan yang dipasang, termasuk kartrid baterai. Kombinasi alat terberat dan teringan, sesuai Prosedur EPTA 01/2014, ditunjukkan pada tabel.

Kartrid dan pengisi daya baterai yang dapat digunakan

Untuk negara selain Taiwan dan Korea

Kartrid baterai	BL4020 / BL4025 / BL4040 / BL4050F
Pengisi daya	DC40RA / DC40RB / DC40RC

- Beberapa kartrid baterai dan pengisi daya yang tercantum di atas mungkin tidak tersedia, tergantung wilayah tempat tinggal Anda.

⚠PERINGATAN: Hanya gunakan kartrid dan pengisi daya baterai yang tercantum di atas. Penggunaan kartrid dan pengisi daya baterai lain dapat menimbulkan risiko cedera dan/atau kebakaran.

Untuk Taiwan

Kartrid baterai	BL4025 / BL4040
Pengisi daya	DC40RA

- Beberapa kartrid baterai dan pengisi daya yang tercantum di atas mungkin tidak tersedia, tergantung wilayah tempat tinggal Anda.

⚠PERINGATAN: Hanya gunakan kartrid dan pengisi daya baterai yang tercantum di atas. Penggunaan kartrid dan pengisi daya baterai lain dapat menimbulkan risiko cedera dan/atau kebakaran.

Untuk Korea

Kartrid baterai	BL4025 / BL4040
Pengisi daya	DC40RA

- Beberapa kartrid baterai dan pengisi daya yang tercantum di atas mungkin tidak tersedia, tergantung wilayah tempat tinggal Anda.

⚠PERINGATAN: Hanya gunakan kartrid dan pengisi daya baterai yang tercantum di atas. Penggunaan kartrid dan pengisi daya baterai lain dapat menimbulkan risiko cedera dan/atau kebakaran.

Simbol

Berikut ini adalah simbol-simbol yang dapat digunakan pada peralatan ini. Pastikan Anda memahami arti masing-masing simbol sebelum menggunakan peralatan.



Baca petunjuk penggunaan.



Risiko ledakan.



Hanya untuk negara-negara UE
Akibat adanya komponen berbahaya dalam peralatan, limbah peralatan listrik dan elektronik, aki dan baterai dapat memiliki dampak negatif pada lingkungan dan kesehatan manusia.
Jangan buang peralatan listrik dan elektronik atau baterai bersama limbah rumah tangga!
Sesuai dengan Petunjuk Eropa tentang limbah peralatan listrik dan elektronik dan tentang aki dan baterai serta limbah aki dan baterai, serta penyesuaiannya terhadap undang-undang nasional, limbah peralatan listrik, baterai dan aki harus disimpan secara terpisah dan dikirim ke tempat pengumpulan terpisah untuk sampah kota, beroperasi sesuai dengan peraturan tentang perlindungan lingkungan.
Hal ini ditunjukkan dengan simbol tempat sampah bersilang yang ditempatkan pada peralatan.

Penggunaan

Mesin ini dirancang untuk memompa ban, bola olahraga, atau tabung pelampung kecil.

PERINGATAN KESELAMATAN

Peringatan keselamatan umum mesin listrik

⚠️ PERINGATAN: Bacalah semua peringatan keselamatan, petunjuk, ilustrasi dan spesifikasi yang disertakan bersama mesin listrik ini.

Kelalaian untuk mematuhi semua petunjuk yang tercantum di bawah ini dapat menyebabkan sengatan listrik, kebakaran dan/atau cedera serius.

Simpanlah semua peringatan dan petunjuk untuk acuan di masa depan.

Istilah “mesin listrik” dalam semua peringatan mengacu pada mesin listrik yang dijalankan dengan sumber listrik jala-jala (berkabel) atau baterai (tanpa kabel).

Keselamatan tempat kerja

1. **Jaga tempat kerja selalu bersih dan berpenerangan cukup.** Tempat kerja yang berantakan dan gelap mengundang kecelakaan.
2. **Jangan gunakan mesin listrik dalam lingkungan yang mudah meledak, misalnya jika ada cairan, gas, atau debu yang mudah menyala.** Mesin listrik menimbulkan bunga api yang dapat menyalaikan debu atau uap tersebut.
3. **Jauhkan anak-anak dan orang lain saat menggunakan mesin listrik.** Bila perhatian terpecah, anda dapat kehilangan kendali.

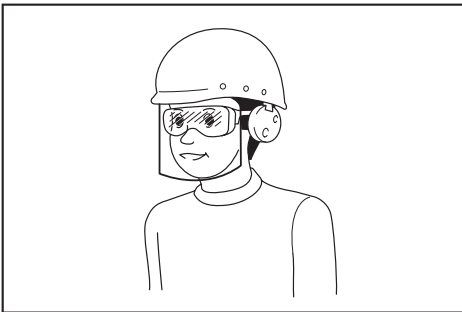
Keamanan Kelistrikan

1. **Steker mesin listrik harus cocok dengan stopkontak. Jangan sekali-kali mengubah steker dengan cara apa pun. Jangan menggunakan steker adaptor dengan mesin listrik terbumi (dibumikan).** Steker yang tidak diubah dan stopkontak yang cocok akan mengurangi risiko sengatan listrik.
2. **Hindari sentuhan tubuh dengan permukaan terbumi atau yang dibumikan seperti pipa, radiator, kompor, dan kulkas.** Risiko sengatan listrik bertambah jika tubuh Anda terbumikan atau dibumikan.
3. **Jangan membiarkan mesin listrik kehujanan atau kebasahan.** Air yang masuk ke dalam mesin listrik akan meningkatkan risiko sengatan listrik.
4. **Jangan menyalahgunakan kabel. Jangan sekali-kali menggunakan kabel untuk membawa, menarik, atau mencabut mesin listrik dari stopkontak. Jauhkan kabel dari panas, minyak, tepian tajam, atau bagian yang bergerak.** Kabel yang rusak atau kusut memperbesar risiko sengatan listrik.
5. **Bila menggunakan mesin listrik di luar ruangan, gunakan kabel ekstensi yang sesuai untuk penggunaan di luar ruangan.** Penggunaan kabel yang sesuai untuk penggunaan luar ruangan mengurangi risiko sengatan listrik.
6. **Jika mengoperasikan mesin listrik di lokasi lembap tidak hindarkan, gunakan pasokan daya yang dilindungi peranti imbasan arus (residual current device - RCD).** Penggunaan RCD mengurangi risiko sengatan listrik.
7. **Mesin listrik dapat menghasilkan medan magnet (EMF) yang tidak berbahaya bagi pengguna.** Namun, pengguna alat pacu jantung atau peralatan medis sejenisnya harus berkonsultasi dengan produsen peralatan tersebut dan/atau dokter mereka sebelum mengoperasikan mesin listrik ini.

Keselamatan Diri

1. **Jaga kewaspadaan, perhatikan pekerjaan Anda dan gunakan akal sehat bila menggunakan mesin listrik. Jangan menggunakan mesin listrik saat Anda lelah atau di bawah pengaruh obat bius, alkohol, atau obat.** Sekejap saja lalai saat menggunakan mesin listrik dapat menyebabkan cedera badan serius.

2. **Gunakan alat pelindung diri. Selalu gunakan pelindung mata.** Peralatan pelindung seperti masker debu, sepatu pengaman anti-selip, helm pengaman, atau pelindung telinga yang digunakan untuk kondisi yang sesuai akan mengurangi risiko cedera badan.
3. **Cegah penyalaaan yang tidak disengaja.** Pastikan bahwa sakelar berada dalam posisi mati (off) sebelum menghubungkan mesin ke sumber daya dan/atau paket baterai, atau mengangkat atau membawanya. Membawa mesin listrik dengan jari Anda pada sakelarnya atau mengalirkan listrik pada mesin listrik yang sakelarnya hidup (on) akan mengundang kecelakaan.
4. **Lepaskan kunci-kunci penyetel sebelum menghidupkan mesin listrik.** Kunci-kunci yang masih terpasang pada bagian mesin listrik yang berputar dapat menyebabkan cedera.
5. **Jangan meraih terlalu jauh. Jagalah pijakan dan keseimbangan sepanjang waktu.** Hal ini memungkinkan kendali yang lebih baik atas mesin listrik dalam situasi yang tidak diharapkan.
6. **Kenakan pakaian yang memadai. Jangan memakai pakaian yang longgar atau perhiasan.** Jaga jarak antara rambut dan pakaian Anda dengan komponen mesin yang bergerak. Pakaian yang longgar, perhiasan, atau rambut yang panjang dapat tersangkut pada komponen yang bergerak.
7. **Jika tersedia fasilitas untuk menghisap dan mengumpulkan debu, pastikan fasilitas tersebut terhubung listrik dan digunakan dengan baik.** Penggunaan pembersih debu dapat mengurangi bahaya yang terkait dengan debu.
8. **Jangan sampai Anda lengah dan mengabaikan prinsip keselamatan mesin ini hanya karena sudah sering mengoperasikannya dan sudah merasa terbiasa.** Tindakan yang lalai dapat menyebabkan cedera berat dalam sepersekian detik saja.
9. **Selalu kenakan kacamata pelindung untuk melindungi mata dari cedera saat menggunakan mesin listrik.** Kacamata harus sesuai dengan ANSI Z87.1 di Amerika Serikat, EN 166 di Eropa, atau AS/NZS 1336 di Australia/Selandia Baru. Di Australia/Selandia Baru, secara hukum Anda juga diwajibkan mengenakan pelindung wajah untuk melindungi wajah Anda.



Menjadi tanggung jawab atasan untuk menerapkan penggunaan alat pelindung keselamatan yang tepat bagi operator mesin dan orang lain yang berada di area kerja saat itu.

Penggunaan dan pemeliharaan mesin listrik

1. **Jangan memaksa mesin listrik. Gunakan mesin listrik yang tepat untuk keperluan Anda.** Mesin listrik yang tepat akan mementaskan pekerjaan dengan lebih baik dan aman pada kecepatan sesuai rancangannya.
2. **Jangan gunakan mesin listrik jika sakelar tidak dapat menyalakan dan mematikannya.** Mesin listrik yang tidak dapat dikendalikan dengan sakelarnya adalah berbahaya dan harus diperbaiki.
3. **Cabut steker dari sumber listrik dan/atau lepas paket baterai, jika dapat dilepas, dari mesin listrik sebelum melakukan penyetelan apa pun, mengganti aksesori, atau menyimpan mesin listrik.** Langkah keselamatan preventif tersebut mengurangi risiko hidupnya mesin secara tak sengaja.
4. **Simpan mesin listrik jauh dari jangkauan anak-anak dan jangan biarkan orang yang tidak paham mengenai mesin listrik tersebut atau petunjuk ini menggunakan mesin listrik.** Mesin listrik sangat berbahaya di tangan pengguna yang tak terlatih.
5. **Rawatlah mesin listrik dan aksesori. Periksa apakah ada komponen bergerak yang tidak lurus atau macet, komponen yang pecah, dan kondisi-kondisi lain yang dapat memengaruhi pengoperasian mesin listrik. Jika rusak, perbaiki mesin listrik terlebih dahulu sebelum digunakan.** Banyak kecelakaan disebabkan oleh kurangnya pemeliharaan mesin listrik.
6. **Jaga agar mesin pemotong tetap tajam dan bersih.** Mesin pemotong yang terawat baik dengan mata pemotong yang tajam tidak mudah macet dan lebih mudah dikendalikan.
7. **Gunakan mesin listrik, aksesori, dan mata mesin, dll. sesuai dengan petunjuk ini, dengan memperhitungkan kondisi kerja dan jenis pekerjaan yang dilakukan.** Penggunaan mesin listrik untuk penggunaan yang lain dari peruntukan dapat menimbulkan situasi berbahaya.
8. **Jagalah agar gagang dan permukaan pegangan tetap kering, bersih, dan bebas dari minyak dan pelumas.** Gagang dan permukaan pegangan yang licin tidak mendukung keamanan penanganan dan pengendalian mesin dalam situasi-situasi tak terduga.
9. **Ketika menggunakan mesin, jangan menggunakan sarung tangan kain yang dapat tersangkut.** Sarung tangan kain yang tersangkut pada komponen bergerak dapat mengakibatkan cedera pada pengguna.

Penggunaan dan pemeliharaan mesin bertenaga baterai

1. **Isi ulang baterai hanya dengan pengisi daya yang ditentukan oleh pabrikan.** Pengisi daya yang cocok untuk satu jenis paket baterai dapat menimbulkan risiko kebakaran ketika digunakan untuk paket baterai yang lain.

2. **Gunakan mesin listrik hanya dengan paket baterai yang telah ditentukan secara khusus.** Penggunaan paket baterai lain dapat menimbulkan risiko cedera dan kebakaran.
3. **Ketika paket baterai tidak digunakan, jauhkan dari benda logam lain, seperti penjepit kertas, uang logam, kunci, paku, sekrup atau benda logam kecil lainnya, yang dapat menghubungkan satu terminal ke terminal lain.** Hubungan singkat terminal baterai dapat menyebabkan luka bakar atau kebakaran.
4. **Pemakaian yang salah, dapat menyebabkan keluarnya cairan dari baterai; hindari kontak. Jika terjadi kontak secara tidak sengaja, bilas dengan air. Jika cairan mengenai mata, cari bantuan medis.** Cairan yang keluar dari baterai bisa menyebabkan iritasi atau luka bakar.
5. **Jangan menggunakan paket baterai atau mesin yang sudah rusak atau telah diubah.** Baterai yang rusak atau telah diubah dapat menyebabkan hal-hal yang tidak dapat diprediksi yang dapat menyebabkan kebakaran, ledakan atau risiko cedera.
6. **Jangan membiarkan paket baterai atau mesin dekat dengan api atau suhu yang berlebihan.** Paparan api atau suhu di atas 130 °C dapat menyebabkan ledakan.
7. **Ikuti semua petunjuk pengisian daya dan jangan mengisi daya paket baterai atau mesin di luar rentang suhu yang ditentukan di panduan.** Mengisi daya secara tidak tepat atau pada suhu di luar rentang yang ditentukan dapat merusak baterai dan meningkatkan risiko kebakaran.
4. **Jangan menggunakan mesin melebihi tekanan output maksimum mesin.** Menggunakan mesin pada tekanan output yang lebih besar dari tekanan output maksimum mesin dapat meledakkan objek atau mesin.
5. **Hanya pompa objek yang sesuai untuk dipompa menurut produsen, seperti ban, bola olahraga, atau tabung pelampung kecil.** Memompa objek lain dapat merusak objek tersebut dan menyebabkan cedera.
6. **Saat memompa objek, periksa pengukur tekanan, status mesin dan objek, dan periksa apakah terdapat kebocoran udara.** Jika tidak, mesin atau objek dapat rusak dan menyebabkan cedera.
7. **Saat membawa mesin, pegang bagian pegangan mesin. Jangan memegang atau menarik selang.** Mesin dapat rusak dan menyebabkan cedera.
8. **Setelah memompa objek, periksa tekanan udara menggunakan alat pengukuran yang telah dikalibrasi dan dapat diandalkan.** Gunakan pengukur tekanan mesin hanya sebagai referensi.
9. **Setelah menggunakan mesin selama 10 menit secara terus menerus, hentikan penggunaan mesin selama 5 menit untuk mendinginkan.** Jangan menggunakan mesin melebihi waktu pengoperasian jangka panjang. Jika tidak, mesin dapat rusak dan menyebabkan cedera.
10. **Jangan menggunakan mesin pada permukaan pasir atau debu.** Benda asing dapat masuk ke dalam mesin dan menyebabkan malafungsi.
11. **Jangan mengarahkan outlet selang pada diri Anda atau orang lain.** Objek dapat terlempar dan menyebabkan cedera.

Servis

1. **Berikan mesin listrik untuk diperbaiki hanya kepada oleh teknisi yang berkualifikasi dengan menggunakan hanya suku cadang pengganti yang serupa.** Hal ini akan menjamin terjaganya keamanan mesin listrik.
2. **Jangan pernah memperbaiki paket baterai yang sudah rusak.** Perbaikan paket baterai harus dilakukan hanya oleh produsen atau penyedia servis resmi.
3. **Patuhi petunjuk pelumasan dan penggantian aksesoris.**

Peringatan keselamatan pompa nirkabel

1. **Saat memompa objek, sambungkan cekam udara, adaptor, dan katup dengan kuat.** Jika tidak, objek, selang, cekam udara, atau adaptor dapat rusak dan Anda dapat cedera.
2. **Lepaskan tekanan udara dengan perlahan. Saat melepaskan selang setelah memompa objek, pegang objek, selang, dan cekam udara kuat-kuat.** Objek, cekam udara, atau adaptor dapat terpelantak karena udara pembuangan dan menyebabkan cedera.
3. **Jangan memompa objek melebihi tekanan maksimum objek.** Jika tidak, mesin atau objek dapat rusak atau Anda dapat cedera.
12. **Jangan mengarahkan outlet selang pada debu atau yang serupa.** Debu dapat berserakan dan menyebabkan cedera.
13. **Jangan memompa objek berkapasitas besar.** Jika Anda memompa objek berkapasitas besar, mesin dapat menjadi sangat panas dan dapat membakar kulit Anda.
14. **Jangan menyentuh mesin, selang, cekam udara, atau adaptor tepat setelah memompa objek.** Bagian logam dapat menjadi sangat panas dan dapat membakar kulit Anda.
15. **Jangan menggunakan mesin dengan tangan basah.**
16. **Pastikan selang tidak terbelit.** Selang yang terbelit dapat menyebabkan hilangnya keseimbangan dan menyebabkan cedera.
17. **Jangan pernah meninggalkan mesin tanpa pengawasan saat selang terpasang pada objek atau selama pengoperasian.**
18. **Jangan menggunakan mesin sebagai perangkat pernapasan.**
19. **Jangan menggunakan mesin untuk menyemprotkan bahan kimia.** Menghirup asap beracun dapat membahayakan paru-paru Anda.
20. **Operasikan mesin pada area terbuka setidaknya sejauh 50 cm dari dinding atau objek apa pun yang dapat membatasi aliran udara ke bukaan ventilasi.**

21. **Jangan membongkar mesin.**
22. **Hanya gunakan aksesoris standar yang disediakan oleh Makita.** Penggunaan aksesoris atau perangkat tambahan lain bisa menyebabkan risiko cedera pada manusia.
23. **Sebelum memompa ban, pastikan tidak ada goresan atau retakan pada ban.** Ban yang rusak dapat meletus saat dipompa dan akan menyebabkan cedera.
24. **Saat memompa ban, jangan berdiri di depan dinding sampingnya.**
10. **Baterai litium-ion yang disertakan sesuai dengan persyaratan Perundangan Makanan Berbahaya.**
Harus ada pengawasan untuk pengangkutan komersial misalnya oleh pihak ketiga, ekspeditor, persyaratan khusus terhadap pengemasan dan pelabelan.
Diperlukan adanya konsultasi dengan ahli mengenai material berbahaya untuk persiapan barang yang akan dikirimkan. Perhatikan pula peraturan nasional yang lebih terperinci yang mungkin ada.
Beri perekat atau tutupi bagian yang terbuka dan kemasi baterai dengan cara yang tidak akan menimbulkan pergeseran dalam pengemasan.

Petunjuk keselamatan penting untuk kartrid baterai

1. **Sebelum menggunakan kartrid baterai, bacalah semua petunjuk dan penandaan pada (1) pengisi daya baterai, (2) baterai, dan (3) produk yang menggunakan baterai.**
2. **Jangan membongkar atau memodifikasi kartrid baterai.** Tindakan tersebut dapat menimbulkan api, panas berlebih, atau ledakan.
3. **Jika waktu beroperasinya menjadi sangat singkat, segera hentikan penggunaan.** Hal tersebut dapat menimbulkan risiko panas berlebih, kemungkinan mengalami luka bakar atau bahkan terjadi ledakan.
4. **Jika elektrolit mengenai mata Anda, basuh dengan air bersih dan segera cari pertolongan medis.** Hal tersebut dapat mengakibatkan hilangnya kemampuan penglihatan Anda.
5. **Jangan menghubungkan terminal kartrid baterai:**
 - (1) **Jangan menyentuh terminal dengan bahan penghantar listrik apa pun.**
 - (2) **Hindari menyimpan kartrid baterai pada wadah yang berisi benda logam lain seperti paku, uang logam, dsb.**
 - (3) **Jangan membiarkan baterai terkena air atau kehujanan.**
Hubungan singkat baterai dapat menyebabkan aliran arus listrik yang besar, panas berlebih, kemungkinan mengalami luka bakar dan bahkan kerusakan pada baterai.
6. **Jangan menyimpan dan menggunakan mesin dan kartrid baterai pada lokasi dengan suhu yang bisa mencapai atau melebihi 50 °C (122 °F).**
7. **Jangan membuang kartrid baterai di tempat pembakaran sampah walaupun benar-benar rusak atau tidak bisa digunakan sama sekali.** Kartrid baterai bisa meledak jika terbakar.
8. **Jangan memaku, memotong, menghancurkan, melempar, menjatuhkan kartrid baterai, atau memukul benda keras ke kartrid baterai.** Tindakan tersebut dapat menimbulkan api, panas berlebih, atau ledakan.
9. **Jangan menggunakan baterai yang rusak.**
11. **Ketika membuang kartrid baterai, lepaskan dari mesin dan buang ke tempat yang aman.** Patuhi peraturan setempat yang berkaitan dengan pembuangan baterai.
12. **Gunakan baterai hanya dengan produk yang ditentukan oleh Makita.** Memasang baterai pada produk yang tidak sesuai dapat menyebabkan kebakaran, kelebihan panas, ledakan, atau kebocoran elektrolit.
13. **Jika mesin tidak digunakan dalam jangka waktu yang lama, baterai harus dilepas dari mesin.**
14. **Selama dan setelah digunakan, kartrid baterai mungkin menyimpan panas yang dapat menyebabkan luka bakar atau luka bakar suhu rendah.** Perhatikan cara memegang kartrid baterai yang masih panas.
15. **Jangan langsung menyentuh terminal mesin setelah digunakan karena suhunya mungkin cukup panas untuk menyebabkan luka bakar.**
16. **Jangan biarkan serpihan, debu, atau tanah menempel di terminal, lubang, dan alur kartrid baterai.** Hal tersebut dapat mengakibatkan kinerja buruk atau kerusakan mesin maupun kartrid baterai.
17. **Kecuali jika mesin mendukung penggunaan di dekat saluran listrik bertegangan tinggi, jangan gunakan kartrid baterai di dekat saluran listrik bertegangan tinggi.** Hal tersebut dapat mengakibatkan kegagalan fungsi atau kerusakan mesin maupun kartrid baterai.
18. **Jauhkan baterai dari jangkauan anak-anak.**

SIMPAN PETUNJUK INI.

⚠PERHATIAN: Gunakan baterai asli Makita. Penggunaan baterai Makita yang tidak asli, atau baterai yang sudah diubah, akan mengakibatkan baterai mudah terbakar, cedera dan kerusakan. Akan menghilangkan garansi Makita pada pengisi daya dan alat Makita.

Tip untuk menjaga agar umur pemakaian baterai maksimum

1. **Isi ulang kartrid baterai sebelum habis sama sekali.** Selalu hentikan penggunaan mesin dan ganti kartrid baterai jika Anda melihat bahwa mesin kurang tenaga.

2. Jangan pernah mengisi ulang kartrid baterai yang sudah diisi penuh. Pengisian ulang yang berlebih memperpendek umur pemakaian baterai.
3. Isi ulang kartrid baterai pada suhu ruangan 10 °C - 40 °C. Biarkan kartrid baterai yang panas menjadi dingin terlebih dahulu sebelum diisi ulang.
4. Saat kartrid baterai tidak digunakan, lepaskan dari mesin atau pengisi daya.
5. Isi ulang daya kartrid baterai jika Anda tidak menggunakannya untuk jangka waktu yang lama (lebih dari enam bulan).

DESKRIPSI FUNGSI

⚠️PERHATIAN: Selalu pastikan bahwa mesin dimatikan dan kartrid baterai dilepas sebelum menyatel atau memeriksa kerja mesin.

Memasang atau melepas baterai

⚠️PERHATIAN: Selalu matikan mesin sebelum memasang atau melepas kartrid baterai.

⚠️PERHATIAN: Pegang mesin dan kartrid baterai kuat-kuat saat memasang atau melepas kartrid baterai. Kelalaian untuk memegang mesin dan kartrid baterai kuat-kuat bisa menyebabkan keduanya tergelincir dari tangan Anda dan mengakibatkan kerusakan pada mesin dan kartrid baterai dan cedera diri.

- **Gbr.1:** 1. Indikator berwarna merah 2. Tombol 3. Kartrid baterai

Untuk melepas kartrid baterai, geser dari mesin sambil menggeser tombol pada bagian depan kartrid.

Untuk memasang kartrid baterai, sejajarkan lidah kartrid baterai dengan alur pada rumah dan masukkan ke dalam tempatnya. Masukkan seluruhnya sampai terkunci pada tempatnya dan terdengar bunyi klik kecil. Jika Anda bisa melihat indikator berwarna merah seperti yang ditunjukkan pada gambar, ini artinya kartrid baterai tidak terkunci sempurna.

⚠️PERHATIAN: Selalu pasang kartrid baterai sepenuhnya sampai indikator berwarna merah tidak terlihat. Jika tidak, bisa terlepas dari mesin secara tidak sengaja, menyebabkan luka pada Anda atau orang di sekitar Anda.

⚠️PERHATIAN: Jangan memasang kartrid baterai secara paksa. Jika kartrid tidak bergeser dengan mudah, berarti tidak dimasukkan dengan benar.

Mengindikasikan kapasitas baterai yang tersisa

Tekan tombol pemeriksaan pada kartrid baterai untuk melihat kapasitas baterai yang tersisa. Lampu indikator menyala selama beberapa detik.

- **Gbr.2:** 1. Lampu indikator 2. Tombol pemeriksaan

Lampu indikator			Kapasitas yang tersisa
Menyala	Mati	Berkedip	
			75% hingga 100%
			50% hingga 75%
			25% hingga 50%
			0% hingga 25%
			Isi ulang baterai.
			Baterai mungkin sudah rusak.

CATATAN: Tergantung kondisi penggunaan dan suhu lingkungannya, penunjukkan mungkin saja sedikit berbeda dari kapasitas sebenarnya.

CATATAN: Lampu indikator pertama (ujung kiri) akan berkedip ketika sistem perlindungan mesin bekerja.

Sistem perlindungan mesin / baterai

Mesin ini dilengkapi dengan sistem perlindungan mesin/ baterai. Sistem ini secara otomatis memutus daya untuk memperpanjang usia pakai mesin dan baterai. Mesin akan berhenti secara otomatis saat dioperasikan jika mesin atau baterai mengalami salah satu dari kondisi berikut ini:

Perlindungan kelebihan beban

Perlindungan ini bekerja saat mesin/baterai dijalankan dengan cara yang menyebabkannya tertariknya arus tinggi yang tidak normal. Dalam situasi ini, matikan mesin dan hentikan pekerjaan yang menyebabkan mesin mengalami kelebihan beban. Kemudian, nyalakan mesin untuk kembali melanjutkan pekerjaan.

Perlindungan panas berlebih

Perlindungan ini bekerja saat suhu mesin/baterai terlalu tinggi. Lampu akan berkedip dan ikon peringatan panas berlebih ditampilkan di pengukur tekanan. Dalam situasi ini, matikan mesin serta biarkan mesin dan baterai menjadi dingin. Kemudian, nyalakan kembali mesin.

Perlindungan pengisian daya berlebih

Perlindungan ini bekerja saat kapasitas baterai yang tersisa rendah. Dalam situasi ini, lepaskan baterai dari mesin dan isi ulang daya baterai.

Sakelar daya utama

PERINGATAN: Selalu matikan sakelar daya utama saat tidak digunakan.

PERHATIAN: Saat membawa mesin, matikan sakelar daya utama. Jika tidak, menarik pelatuk sakelar dengan tidak sengaja dapat menyebabkan cedera.

► Gbr.3: 1. Sakelar daya utama

Untuk menyalakan mesin, tekan sakelar daya utama. Untuk mematikan mesin, tekan sakelar daya utama lagi.

CATATAN: Mesin ini menggunakan fungsi pemutus daya otomatis. Untuk menghindari penyalaan yang tidak disengaja, sakelar daya utama akan secara otomatis mati ketika pelatuk sakelar tidak ditarik selama beberapa saat setelah sakelar daya utama dinyalakan.

Kerja sakelar

PERINGATAN: Sebelum memasukkan kartrid baterai pada mesin, pastikan picu saklar berfungsi dengan baik dan kembali ke posisi "OFF" saat dilepas.

PERINGATAN: Jangan memasang selotip atau semacamnya untuk menjaga pelatuk sakelar dalam posisi "ON".

Untuk menjalankan mesin, cukup tarik pelatuk sakelar. Lepaskan pelatuk sakelar untuk berhenti.

► Gbr.4: 1. Pelatuk sakelar

Pengukur tekanan

► Gbr.5

1	Ikon peringatan panas berlebih
2	Mode memompa
3	Tombol [-]
4	Tombol [M]
5	Tombol [+]
6	Indikator peningkatan pemompaan
7	Nilai tekanan saat ini
8	Nilai target tekanan
9	Satuan nilai tekanan

Jika objek yang akan dipompa disambungkan ke mesin, nilai tekanan saat ini ditampilkan di pengukur tekanan ketika Anda menyalakan mesin. Jika tidak ada yang disambungkan ke mesin, pengukur tekanan menunjukkan "0".

Pengukur tekanan juga menampilkan nilai target tekanan, satuan nilai tekanan, dan mode memompa. Sama seperti waktu terakhir.

Saat mulai memompa, indikator peningkatan pemompaan akan ditampilkan. Pemompaan selesai jika indikator peningkatan pemompaan berada di ujung kanan.




Mengatur nilai target tekanan

Tekan tombol [M], dan pilih unit nilai tekanan. Satuan nilai tekanan akan berubah setiap kali tombol [M] ditekan. Anda dapat memilih salah satu dari tiga satuan berikut: PSI, BAR, atau KPA.

Untuk menambah nilai target tekanan, tekan tombol [+]. Untuk mengurangi nilai target tekanan, tekan tombol [-]. Anda dapat mengatur nilai target tekanan antara 35 kPa (5 PSI), dan 1.110 kPa (161 PSI).

Mengatur mode memompa

Tekan tombol [M] selama 3 detik. Mode memompa akan berubah setiap kali tombol [M] ditekan dan ditahan. Anda dapat memilih salah satu dari tiga mode sebagai berikut.

Mode	Tampilan	Kegunaan	Rentang penyesuaian tekanan
Bola		Untuk memompa bola	35 hingga 110 kPa (5 hingga 16 PSI)
Kecepatan rendah		Untuk memompa objek dengan kecepatan rendah	35 hingga 1.110 kPa (5 hingga 161 PSI)
Kecepatan tinggi		Untuk memompa objek dengan kecepatan tinggi	

CATATAN: Pastikan Anda memilih mode bola saat memompa bola menggunakan jarum bola olahraga. Jika Anda memilih mode lain, pemompaan tidak dapat dilakukan dengan benar.

CATATAN: Pastikan Anda memilih mode kecepatan rendah saat memompa objek menggunakan adaptor katup Inggris. Jika Anda memilih mode lain, pemompaan tidak dapat dilakukan dengan benar.

Menyalakan lampu depan

Saat Anda menyalakan mesin dengan menekan sakelar daya utama, lampu akan menyala. Saat Anda mematikan mesin dengan menekan sakelar daya utama, lampu akan mati.

► Gbr.6: 1. Lampu 2. Sakelar daya utama

PERHATIAN: Jangan melihat lampu atau sumber cahaya secara langsung.

PEMBERITAHUAN: Saat mesin mengalami kelebihan panas, lampu akan berkedip. Matikan mesin dan biarkan mesin menjadi benar-benar dingin sebelum mengoperasikan kembali mesin.

CATATAN: Gunakan kain kering untuk mengelap kotoran dari lensa lampu. Hati-hati jangan sampai menggores lensa lampu, atau hal tersebut dapat menurunkan tingkat penerangannya.

Adaptor penyimpanan

Adaptor dapat disimpan di penahan adaptor pada mesin. Masukkan jarum bola olahraga ke dalam adaptor katup Presta sebelum memasangnya ke penahan adaptor.

- **Gbr.7:** 1. Jarum bola olahraga 2. Adaptor katup Presta 3. Penahan adaptor 4. Adaptor runcing

Menyimpan selang

Selang dapat dipasang di penahan selang pada mesin.

- **Gbr.8:** 1. Penahan selang 2. Selang

Tombol pelepas udara

PEMBERITAHUAN: Saat adaptor katup Inggris dipasang ke mesin, udara tidak akan keluar meskipun Anda menekan tombol pelepas udara.

Saat benda terlalu mengembang, tekan tombol pelepas udara untuk melepaskan udara.

- **Gbr.9:** 1. Tombol pelepas udara

PENGUNAAN

CATATAN: Adaptor standar bervariasi tergantung pada masing-masing negara.

Menggunakan adaptor katup Inggris

PEMBERITAHUAN: Pastikan Anda memilih mode kecepatan rendah saat memompa objek menggunakan adaptor katup Inggris. Jika Anda memilih mode lain, pemompaan tidak dapat dilakukan dengan benar.

1. Masukkan adaptor katup Inggris ke dalam cekam udara.
2. Pasang adaptor katup Inggris pada batang katup sambil membuka adaptor katup Inggris.
► **Gbr.10:** 1. Adaptor katup Inggris 2. Cekam udara 3. Batang katup
3. Nyalakan mesin.
4. Pompa ban dengan menarik pelatuk sakelar sambil memeriksa status ban.

PEMBERITAHUAN: Saat menggunakan adaptor katup Inggris, pengukur tekanan tidak akan menunjukkan nilai yang akurat karena karakteristik katup. Saat memompa ban, jangan gunakan nilai pada pengukur tekanan, tetapi pompa dengan memeriksa status ban.

Jika mesin berhenti sebelum ban mencapai tekanan udara yang diinginkan, sesuaikan tekanan udara, lalu pompa ban lagi.

Menggunakan adaptor katup Schrader

1. Pasang cekam udara pada batang katup.
► **Gbr.11:** 1. Batang katup 2. Cekam udara
2. Nyalakan mesin, lalu atur nilai tekanan yang sesuai untuk ban menggunakan pengukur tekanan.
3. Terus tarik pelatuk sakelar hingga mesin berhenti. Ban telah dipompa dengan tekanan yang ditentukan.

Menggunakan adaptor katup Presta

1. Kendurkan mur kunci pada batang katup.
► **Gbr.12:** 1. Mur kunci
2. Pasang adaptor katup Presta ke batang katup, lalu pasang cekam udara ke adaptor katup Presta.
► **Gbr.13:** 1. Adaptor katup Presta 2. Batang katup 3. Cekam udara
3. Nyalakan mesin, lalu atur nilai tekanan yang sesuai untuk ban menggunakan pengukur tekanan.
4. Terus tarik pelatuk sakelar hingga mesin berhenti. Ban telah dipompa dengan tekanan yang ditentukan.
5. Lepaskan cekam udara dan adaptor katup Presta, lalu kencangkan mur kunci.

Menggunakan jarum bola olahraga

PEMBERITAHUAN: Pastikan Anda memilih mode bola saat memompa bola menggunakan jarum bola olahraga. Jika Anda memilih mode lain, pemompaan tidak dapat dilakukan dengan benar.

Untuk memompa bola olahraga, gunakan jarum bola olahraga.

1. Pasang jarum bola olahraga ke cekam udara.
► **Gbr.14:** 1. Cekam udara 2. Jarum bola olahraga
2. Masukkan jarum bola olahraga ke lubang pada bola.
3. Nyalakan mesin.
4. Atur mode memompa ke mode bola, dan atur nilai tekanan yang sesuai untuk bola menggunakan pengukur tekanan.
5. Terus tarik pelatuk sakelar hingga mesin berhenti. Bola telah dipompa dengan tekanan yang ditentukan.

Menggunakan adaptor runcing

PERHATIAN: Berhati-hatilah jangan sampai tabung pelampung terlalu mengembang.

Untuk memompa tabung pelampung, gunakan adaptor runcing.

1. Pasang adaptor runcing ke cekam udara.
▶ **Gbr.15:** 1. Cekam udara 2. Adaptor runcing
2. Masukkan adaptor runcing ke dalam lubang yang ada di tabung pelampung.
3. Nyalakan mesin.
4. Pompa tabung pelampung dengan menarik pelatuk sakelar sambil memeriksa status tabung pelampung.

PEMBERITAHUAN: Saat memompa tabung pelampung, jangan menjadikan nilai tekanan saat ini pada pengukur tekanan sebagai acuan. Pengukur tekanan tidak menampilkan nilai tekanan saat ini yang akurat jika tekanan tabung pelampung kurang dari 35 kPa (5 PSI).

PERAWATAN

PERHATIAN: Selalu pastikan bahwa mesin dimatikan dan kartrid baterai dilepas sebelum melakukan pemeriksaan atau perawatan.

PEMBERITAHUAN: Jangan sekali-kali menggunakan bensin, tiner, alkohol, atau bahan sejenisnya. Penggunaan bahan demikian dapat menyebabkan perubahan warna, perubahan bentuk atau timbulnya retakan.

Untuk menjaga KEAMANAN dan KEANDALAN mesin, perbaikan, perawatan atau penyetelan lainnya harus dilakukan oleh Pusat Layanan Resmi atau Pabrik Makita; selalu gunakan suku cadang pengganti buatan Makita.

AKSESORI PILIHAN

PERHATIAN: Dianjurkan untuk menggunakan aksesori atau perangkat tambahan ini dengan mesin Makita Anda yang ditentukan dalam petunjuk ini. Penggunaan aksesori atau perangkat tambahan lain bisa menyebabkan risiko cedera pada manusia. Hanya gunakan aksesori atau perangkat tambahan sesuai dengan peruntukannya.

Jika Anda memerlukan bantuan lebih rinci berkenaan dengan aksesori ini, tanyakan pada Pusat Layanan Makita terdekat.

- Baterai dan pengisi daya asli buatan Makita

CATATAN: Beberapa item dalam daftar tersebut mungkin sudah termasuk dalam paket mesin sebagai aksesori standar. Hal tersebut dapat berbeda dari satu negara ke negara lainnya.

SPEKIFIKASI

Model:		MP001G
Panjang keseluruhan	dengan BL4025	320 mm
	dengan BL4040	329 mm
Tekanan udara maksimum		1,110 kPa
Kitar tugas		10 minit Hidup / 5 minit Mati
Voltan terkadar		D.C. 36 V - 40 V maks
Berat bersih		2.9 - 3.5 kg

- Disebabkan program penyelidikan dan pembangunan kami yang berterusan, spesifikasi yang terkandung di dalam ini adalah tertakluk kepada perubahan tanpa notis.
- Spesifikasi dan kartrij bateri mungkin berbeza mengikut negara.
- Berat mungkin berbeza bergantung kepada pemasangan, termasuk kartrij bateri. Kombinasi paling ringan dan paling berat, mengikut Prosedur EPTA 01/2014, ditunjukkan di dalam jadual.

Kartrij bateri dan pengecas yang boleh digunakan

Untuk negara-negara selain Taiwan dan Korea

Kartrij bateri	BL4020 / BL4025 / BL4040 / BL4050F
Pengecas	DC40RA / DC40RB / DC40RC

- Sesetengah kartrij bateri dan pengecas yang disenaraikan di atas mungkin tidak tersedia bergantung pada kawasan kediaman anda.

⚠️AMARAN: Gunakan hanya kartrij bateri dan pengecas yang disenaraikan di atas. Penggunaan mana-mana kartrij bateri dan pengecas yang lain mungkin menyebabkan kecederaan dan/atau kebakaran.

Untuk Taiwan

Kartrij bateri	BL4025 / BL4040
Pengecas	DC40RA

- Sesetengah kartrij bateri dan pengecas yang disenaraikan di atas mungkin tidak tersedia bergantung pada kawasan kediaman anda.

⚠️AMARAN: Gunakan hanya kartrij bateri dan pengecas yang disenaraikan di atas. Penggunaan mana-mana kartrij bateri dan pengecas yang lain mungkin menyebabkan kecederaan dan/atau kebakaran.

Untuk Korea

Kartrij bateri	BL4025 / BL4040
Pengecas	DC40RA

- Sesetengah kartrij bateri dan pengecas yang disenaraikan di atas mungkin tidak tersedia bergantung pada kawasan kediaman anda.

⚠️AMARAN: Gunakan hanya kartrij bateri dan pengecas yang disenaraikan di atas. Penggunaan mana-mana kartrij bateri dan pengecas yang lain mungkin menyebabkan kecederaan dan/atau kebakaran.

Simbol

Berikut menunjukkan simbol-simbol yang boleh digunakan untuk alat ini. Pastikan anda memahami maksudnya sebelum menggunakan.



Baca manual arahan.



Risiko peletusan.



Ni-MH
Li-ion

Hanya untuk negara-negara EU
Disebabkan kehadiran komponen berbahaya dalam peralatan, sisa peralatan elektrik dan elektronik, akumulator dan bateri boleh memberi kesan negatif terhadap persekitaran dan kesihatan manusia.
Jangan buang alat elektrik dan elektronik atau bateri bersama dengan bahan buangan isi rumah!
Mengikut Arahan Eropah mengenai sisa peralatan elektrik dan elektronik dan mengenai akumulator dan bateri dan sisa akumulator dan bateri serta penyesuaian dengan undang-undang negara, sisa peralatan elektrik, bateri dan akumulator hendaklah disimpan secara berasingan dan dihantar ke tempat pengumpulan berasingan untuk sisa perbandingan, beroperasi mengikut peraturan perlindungan persekitaran.
Ini ditunjukkan oleh simbol tong sampah beroda yang bersilang pada peralatan.

Tujuan penggunaan

Alat ini bertujuan untuk pam tayar, bola sukan, atau tiub terapung kecil.

AMARAN KESELAMATAN

Amaran keselamatan umum alat kuasa

⚠️AMARAN: Baca semua amaran keselamatan, arahan, ilustrasi dan spesifikasi yang disediakan dengan alat kuasa ini. Kegagalan mengikut amaran dan arahan boleh menyebabkan kejutan elektrik, kebakaran dan/atau kecederaan serius.

Simpan semua amaran dan arahan untuk rujukan masa depan.

Istilah "alat kuasa" dalam amaran merujuk kepada alat kuasa yang menggunakan tenaga elektrik (kabel) atau alat kuasa yang menggunakan bateri (tanpa kord).

Keselamatan kawasan kerja

1. **Pastikan kawasan kerja bersih dan terang.** Kawasan berselerak atau gelap mengundang kemalangan.

2. **Jangan kendalikan alat kuasa dalam keadaan yang mudah meletup, seperti dalam kehadiran cecair, gas atau habuk yang mudah terbakar.** Alat kuasa menghasilkan percikan api yang boleh menyalaikan debu atau wasap.
3. **Jauhkan kanak-kanak dan orang ramai semasa mengendalikan alat kuasa.** Gangguan boleh menyebabkan anda hilang kawalan.

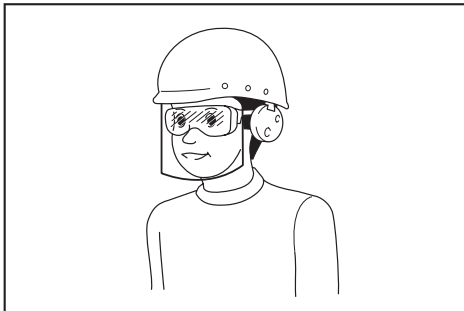
Keselamatan elektrik

1. **Palam alat kuasa mesti sepadan dengan soket. Jangan ubah suai palam dalam apa cara sekalipun. Jangan gunakan sebarang palam penyesuai dengan alat kuasa terbumi.** Palam yang tidak diubah suai dan soket yang sepadan akan mengurangkan risiko kejutan elektrik.
2. **Elakkan sentuhan badan dengan permukaan terbumi, seperti paip, radiator, dapur dan peti sejuk.** Terdapat peningkatan risiko kejutan elektrik jika elektrik terbumi terkena badan anda.
3. **Jangan biarkan alat kuasa terkena hujan atau basah.** Air yang memasuki alat kuasa akan meningkatkan risiko kejutan elektrik.
4. **Jangan salah gunakan kord. Jangan gunakan kord untuk membawa, menarik atau mencabut palam alat kuasa. Jauhkan kord dari haba, minyak, bucu tajam atau bahagian yang bergerak.** Kord yang rosak atau tersimpul meningkatkan risiko kejutan elektrik.
5. **Semasa mengendalikan alat kuasa di luar, gunakan kord sambungan yang bersesuaian untuk kegunaan luar.** Penggunaan kord yang sesuai untuk kegunaan luar mengurangkan risiko kejutan elektrik.
6. **Sekiranya pengendalian alat kuasa di lokasi lembap tidak dapat dielakkan, gunakan bekalan peranti arus sisa (RCD) yang dilindungi.** Penggunaan RCD mengurangkan risiko kejutan elektrik.
7. **Alat kuasa boleh menghasilkan medan elektromagnetik (EMF) yang tidak berbahaya kepada pengguna.** Walau bagaimanapun, pengguna perentak jantung atau peranti perubatan yang serupa harus menghubungi pembuat peranti mereka dan/atau doktor untuk nasihat sebelum mengendalikan alat kuasa ini.

Keselamatan diri

1. **Sentiasa berwaspada, perhatikan apa yang anda lakukan dan guna akal budi semasa mengendalikan alat kuasa. Jangan gunakan alat kuasa semasa anda letih atau di bawah pengaruh dadah, alkohol atau ubat.** Kelelahan seketika semasa mengendalikan alat kuasa boleh menyebabkan kecederaan diri yang serius.
2. **Gunakan peralatan pelindung diri. Sentiasa pakai pelindung mata.** Peralatan pelindung seperti topeng debu, kasut keselamatan tak mudah tergelincir, topi keselamatan atau pelindung pendengaran yang digunakan untuk keadaan yang sesuai akan mengurangkan kecederaan diri.

3. **Elakkan permulaan yang tidak disengajakan. Pastikan suis ditutup sebelum menyambung kepada sumber kuasa dan/atau pek bateri, semasa mengangkat atau membawa alat.** Membawa alat kuasa dengan jari anda pada suis atau menentagakan alat kuasa dengan suis pada kedudukan hidup mengundang kemalangan.
4. **Alihkan sebarang kunci atau sepana pelaras sebelum menghidupkan alat kuasa.** Sepana atau kunci yang ditinggalkan pada bahagian berputar alat kuasa boleh menyebabkan kecederaan diri.
5. **Jangan lampau jangkau. Jaga pijakan dan keseimbangan yang betul pada setiap masa.** Ini membolehkan kawalan alat kuasa yang lebih baik dalam situasi yang tidak dijangka.
6. **Berpakaian dengan betul. Jangan pakai pakaian yang longgar atau barang kemas. Jauhkan rambut dan pakaian anda dari bahagian yang bergerak.** Pakaian longgar, barang kemas atau rambut yang panjang boleh terperangkap dalam bahagian yang bergerak.
7. **Jika peranti disediakan untuk sambungan kemudahan pengekstrakan dan pengumpulan habuk, pastikan ia disambung dan digunakan dengan betul.** Penggunaan pengumpulan habuk boleh mengurangkan bahaya berkaitan habuk.
8. **Jangan biarkan kebiasaan daripada kekerapan penggunaan alat membuatkan anda berpuas hati dan mengabaikan prinsip keselamatan alat.** Kecuaian boleh menyebabkan kecederaan serius dalam sekelip mata.
9. **Sentiasa pakai gogal pelindung untuk melindungi mata anda daripada kecederaan apabila menggunakan alat kuasa. Gogal mestilah mematuhi ANSI Z87.1 di AS, EN 166 di Eropah, atau AS/NZS 1336 di Australia/ New Zealand. Di Australia/New Zealand, undang-undang mengarahkan untuk memakai pelindung muka bagi melindungi muka anda, juga.**



Menjadi tanggungjawab majikan untuk menguatkuasa penggunaan peralatan perlindungan keselamatan yang bersesuaian oleh pengendali alat dan oleh orang lain dalam kawasan bekerja semasa.

Penggunaan dan penjagaan alat kuasa

1. **Jangan gunakan alat kuasa dengan kasar. Gunakan alat kuasa yang betul untuk penggunaan anda.** Alat kuasa yang betul akan melakukan tugas dengan lebih baik dan lebih selamat pada kadar mana ia direka cipta.
2. **Jangan gunakan alat kuasa jika suis tidak berfungsi untuk menghidupkan dan mematikannya.** Alat kuasa yang tidak dapat dikawal dengan suis adalah berbahaya dan mesti dibaiki.
3. **Cabut palam dari sumber kuasa dan/atau keluarkan pek bateri, jika boleh ditanggalkan, dari alat kuasa sebelum membuat sebarang pelarasan, menukar aksesori, atau menyimpan alat kuasa.** Langkah-langkah keselamatan pencegahan sedemikian mengurangkan risiko memulakan alat kuasa secara tidak sengaja.
4. **Simpan alat kuasa yang tidak digunakan jauh dari jangkauan kanak-kanak dan jangan biarkan orang yang tidak biasa dengan alat kuasa atau arahan ini untuk mengendalikan alat kuasa.** Alat kuasa adalah berbahaya di tangan pengguna yang tidak terlatih.
5. **Menyelenggara alat kuasa dan aksesori. Periksa salah jajaran atau ikatan pada bahagian yang bergerak, bahagian yang pecah dan apa-apa keadaan lain yang boleh menjejaskan operasi alat kuasa. Jika rosak, baiki alat kuasa sebelum digunakan.** Kebanyakan kemalangan adalah disebabkan oleh alat kuasa yang tidak dijaga dengan baik.
6. **Pastikan alat pemotong tajam dan bersih.** Alat pemotong yang dijaga dengan betul dengan hujung pemotong yang tajam mempunyai kemungkinan yang rendah untuk terikat dan lebih mudah dikendalikan.
7. **Gunakan alat kuasa, aksesori dan alat bit dan sebagainya mengikut arahan ini dengan mengambil kira keadaan kerja dan kerja yang perlu dilakukan.** Penggunaan alat kuasa untuk operasi yang berbeza dari yang dimaksudkan boleh menyebabkan keadaan berbahaya.
8. **Pastikan pemegang dan permukaan pegangan kering, bersih dan bebas dari minyak dan gris.** Pemegang dan permukaan pegangan yang licin tidak membolehkan pengendalian dan kawalan selamat bagi alat dalam situasi yang tidak dijangka.
9. **Apabila menggunakan alat, jangan pakai sarung tangan kerja kain yang mungkin boleh kusut.** Kekusutan sarung tangan kerja kain pada bahagian yang bergerak boleh menyebabkan kecederaan diri.

Penggunaan dan penjagaan alat bateri

1. **Cas semula dengan pengecas yang ditentukan oleh pengeluar sahaja.** Pengecas yang sesuai untuk satu jenis pek bateri mungkin menimbulkan risiko kebakaran apabila digunakan dengan pek bateri lain.
2. **Gunakan alat kuasa dengan pek bateri yang ditentukan secara khusus sahaja.** Penggunaan mana-mana pek bateri lain mungkin menimbulkan risiko kecederaan dan kebakaran.

3. **Apabila pek bateri tidak digunakan, jauhkan daripada objek besi lain, seperti klip kertas, duit syiling, paku, skru atau objek besi kecil lain, yang boleh membuat sambungan dari satu terminal ke yang lain.**
Memintas terminal bateri bersama-sama mungkin menyebabkan lecuran atau kebakaran.
4. **Di bawah keadaan kasar, cecair mungkin dikeluarkan daripada bateri; elakkan sentuhan. Jika tersentuh secara tidak sengaja, siram dengan air. Jika cecair terkena mata, dapatkan bantuan perubatan di samping siraman air.**
Cecair yang dikeluarkan dari bateri mungkin menyebabkan kegatalan atau lecuran.
5. **Jangan gunakan pek bateri atau alat yang rosak atau diubah suai.** Bateri yang rosak atau diubah suai mungkin menunjukkan perilaku yang tidak dijangka menyebabkan kebakaran, letupan atau risiko kecederaan.
6. **Jangan dedahkan pek bateri atau alat kepada api atau suhu yang berlebihan.** Pendedahan kepada api atau suhu melebihi 130 °C mungkin menyebabkan letupan.
7. **Ikut semua arahan pengecasan dan jangan cas pek bateri atau alat di luar julat suhu yang ditetapkan dalam arahan.** Mengecas dengan tidak betul atau pada suhu di luar julat yang dinyatakan mungkin merosakkan bateri dan meningkatkan risiko kebakaran.
8. **Jangan gunakan alat itu, tahan pemegang alat itu. Jangan tahan atau tarik hos.** Alat ini boleh rosak dan menyebabkan kecederaan.
9. **Selepas memegang objek, periksa tekanan udara menggunakan alat pengukur yang boleh harap dan ditentukur.** Gunakan tolok tekanan alat tersebut sebagai rujukan sahaja.
10. **Selepas menggunakan alat selama 10 minit secara berterusan, berhenti menggunakan alat selama 5 minit untuk menyejukkan.** Jangan gunakan alat di luar masa operasi secara berterusan yang dibenarkan. Jika tidak, alat itu boleh rosak dan menyebabkan kecederaan.
11. **Jangan gunakan alat di pasir atau permukaan yang berdebu.** Objek asing boleh memasuki bahagian dalam alat dan menyebabkan malfunction.
12. **Jangan halakan alur keluar hos kepada diri sendiri atau orang lain.** Objek boleh terbang jauh dan menyebabkan kecederaan.
13. **Jangan arahkan saluran hos ke habuk atau yang sejenisnya.** Debu mungkin berselerak dan menyebabkan kecederaan.
14. **Jangan memegang objek dengan kapasiti besar.** Jika anda memegang objek dengan kapasiti yang besar, alat ini mungkin menjadi sangat panas dan boleh membakar kulit anda.
15. **Jangan sentuh alat, hos, cuk udara, atau penyesuai sejurus selepas menaikkan objek.** Bahagian logam boleh menjadi sangat panas dan boleh membakar kulit anda.
16. **Jangan gunakan alat dengan tangan basah.**
17. **Pastikan hos tidak terikat.** Hos terikat mungkin menyebabkan kehilangan keseimbangan dan menyebabkan kecederaan.
18. **Jangan biarkan alat tidak dijaga apabila hos dipasang pada objek atau semasa operasi.**
19. **Jangan gunakan alat ini sebagai alat pernafasan.**
20. **Jangan gunakan alat untuk menyemburkan bahan kimia.** Paru-paru anda boleh rosak dengan menghidu wasap toksik.
21. **Menggunakan alat di kawasan terbuka sekurang-kurangnya 50 cm dari mana-mana dinding atau objek yang boleh menyekat aliran udara ke bukaan pengudaraan.**
22. **Jangan buka alat tersebut.**
23. **Gunakan hanya aksesori standard yang disediakan oleh Makita.** Penggunaan mana-mana aksesori atau alat tambahan lain mungkin mengakibatkan risiko kecederaan kepada orang.
24. **Sebelum anda memegang tayar, pastikan tiayar calar atau retak pada tayar.** Tayar yang rosak boleh meletup apabila tayar dipam dan menyebabkan kecederaan.

Servis

1. **Pastikan alat kuasa anda diservis oleh orang yang berkelayakan dengan hanya menggunakan alat ganti yang sama.** Ini akan memastikan keselamatan alat kuasa dapat dikekalkan.
2. **Jangan servis pek bateri yang telah rosak.** Servis pek bateri hanya boleh dilakukan oleh pengeluar atau penyedia servis yang sah.
3. **Ikut arahan untuk melincir dan menukar aksesori.**

Amanan keselamatan pam angin tanpa kord

1. **Apabila memegang objek, sambungkan cuk udara, penyesuai, dan injap dengan ketat.** Jika tidak, objek, hos, cuk udara, atau penyesuai mungkin rosak dan anda mungkin cedera.
2. **Melepaskan tekanan udara perlahan-lahan. Apabila mengeluarkan hos selepas memegang objek, pegang objek, hos, dan cuk udara dengan tegas.** Objek, cuk udara, atau penyesuai mungkin melantun disebabkan oleh udara ekzos dan menyebabkan kecederaan.
3. **Jangan memegang objek di luar tekanan maksimum objek.** Jika tidak, alat atau objek mungkin rosak dan anda mungkin cedera.
4. **Jangan gunakan alat di luar tekanan luaran maksimum alat tersebut.** Menggunakan alat pada tekanan luaran yang lebih besar daripada tekanan luaran maksimum alat boleh memecahkan objek atau alat.
5. **Mengepam objek bertujuan untuk dilambungkan oleh pengeluar sahaja, seperti tayar, bola sukan, atau tiub terapung kecil.** Mengepam objek lain boleh merosakkannya dan menyebabkan kecederaan.
6. **Apabila memegang objek, periksa tolok tekanan, status alat dan objek, dan semak tiada kebocoran udara.** Jika tidak, alat atau objek mungkin rosak dan menyebabkan kecederaan.
7. **Apabila membawa alat itu, tahan pemegang alat itu. Jangan tahan atau tarik hos.** Alat ini boleh rosak dan menyebabkan kecederaan.
8. **Selepas memegang objek, periksa tekanan udara menggunakan alat pengukur yang boleh harap dan ditentukur.** Gunakan tolok tekanan alat tersebut sebagai rujukan sahaja.
9. **Selepas menggunakan alat selama 10 minit secara berterusan, berhenti menggunakan alat selama 5 minit untuk menyejukkan.** Jangan gunakan alat di luar masa operasi secara berterusan yang dibenarkan. Jika tidak, alat itu boleh rosak dan menyebabkan kecederaan.
10. **Jangan gunakan alat di pasir atau permukaan yang berdebu.** Objek asing boleh memasuki bahagian dalam alat dan menyebabkan malfunction.
11. **Jangan halakan alur keluar hos kepada diri sendiri atau orang lain.** Objek boleh terbang jauh dan menyebabkan kecederaan.
12. **Jangan arahkan saluran hos ke habuk atau yang sejenisnya.** Debu mungkin berselerak dan menyebabkan kecederaan.
13. **Jangan memegang objek dengan kapasiti besar.** Jika anda memegang objek dengan kapasiti yang besar, alat ini mungkin menjadi sangat panas dan boleh membakar kulit anda.
14. **Jangan sentuh alat, hos, cuk udara, atau penyesuai sejurus selepas menaikkan objek.** Bahagian logam boleh menjadi sangat panas dan boleh membakar kulit anda.
15. **Jangan gunakan alat dengan tangan basah.**
16. **Pastikan hos tidak terikat.** Hos terikat mungkin menyebabkan kehilangan keseimbangan dan menyebabkan kecederaan.
17. **Jangan biarkan alat tidak dijaga apabila hos dipasang pada objek atau semasa operasi.**
18. **Jangan gunakan alat ini sebagai alat pernafasan.**
19. **Jangan gunakan alat untuk menyemburkan bahan kimia.** Paru-paru anda boleh rosak dengan menghidu wasap toksik.
20. **Menggunakan alat di kawasan terbuka sekurang-kurangnya 50 cm dari mana-mana dinding atau objek yang boleh menyekat aliran udara ke bukaan pengudaraan.**
21. **Jangan buka alat tersebut.**
22. **Gunakan hanya aksesori standard yang disediakan oleh Makita.** Penggunaan mana-mana aksesori atau alat tambahan lain mungkin mengakibatkan risiko kecederaan kepada orang.
23. **Sebelum anda memegang tayar, pastikan tiayar calar atau retak pada tayar.** Tayar yang rosak boleh meletup apabila tayar dipam dan menyebabkan kecederaan.

24. Semasa anda mengepam tayar, jangan berada di hadapan dinding sisi tayar.

Arahan keselamatan penting untuk kartrij bateri

1. Sebelum menggunakan kartrij bateri, baca semua arahan dan tanda amaran pada (1) pengcas bateri, (2) bateri, dan (3) produk menggunakan bateri.
2. Jangan buka atau cabut kartrij bateri. Ia boleh mengakibatkan kebakaran, haba berlebihan, atau letupan.
3. Jika masa operasi menjadi sangat pendek, berhenti operasi serta merta. Ia mungkin menyebabkan risiko pemanasan lampau, melecur bahkan letupan.
4. Jika elektrolit masuk ke dalam mata anda, bilas mata dengan air jernih dan dapatkan rawatan perubatan serta merta. Ia mungkin menyebabkan kehilangan penglihatan.
5. Jangan pintaskan kartrij bateri:
 - (1) Jangan sentuh terminal dengan bahan berkonduksi.
 - (2) Elakkan menyimpan kartrij bateri dalam bekas bersama-sama objek besi lain seperti paku, duit syiling, dll.
 - (3) Jangan dedahkan kartrij bateri kepada air atau hujan.

Pintasan bateri boleh menyebabkan aliran kuasa yang besar, pemanasan lampau, melecur dan juga kerosakan.

6. Jangan simpan dan gunakan alat dan kartrij bateri di lokasi yang suhunya mungkin mencapai atau melebihi 50 °C (122 °F).
7. Jangan bakar kartrij bateri walaupun jika ia rosak teruk atau haus sepenuhnya. Kartrij bateri boleh meletup dalam kebakaran.
8. Jangan paku, potong, pecahkan, buang, jatuhkan kartrij bateri, atau tekan objek keras pada kartrij bateri. Perbuatan sedemikian boleh mengakibatkan kebakaran, haba berlebihan, atau letupan.
9. Jangan gunakan bateri yang rosak.
10. **Bateri litium ion yang terkandung adalah tertakluk kepada keperluan Perundangan Barangan Berbahaya.**

Bagi pengangkutan komersial cth. oleh pihak ketiga, ejen penghantar, keperluan khas pada pembungkusan dan pelabelan mestilah diperhatikan.

Bagi persediaan item yang dihantar, berunding dengan pakar bahan berbahaya adalah diperlukan. Sila juga perhatikan sebolehnya peraturan kebangsaan yang lebih terperinci. Lekatkan atau balut bahagian terbuka dan pek bateri supaya ia tidak bergerak dalam pembungkusan.
11. Apabila melupuskan kartrij bateri, keluarkan ia daripada alat dan lupuskan ia di tempat selamat. Ikut peraturan tempatan anda mengenai pelupusan bateri.

12. Gunakan bateri hanya dengan produk yang ditentukan oleh Makita. Memasang bateri kepada produk yang tidak patuh mungkin menyebabkan kebakaran, pemanasan lampau, atau kebocoran elektrolit.
13. Jika alat tidak digunakan untuk tempoh masa yang lama, bateri mesti dikeluarkan daripada alat.
14. Semasa dan selepas penggunaan, kartrij bateri mungkin ada haba yang boleh menyebabkan terbakar atau suhu rendah terbakar. Beri perhatian kepada pengendalian kartrij bateri yang panas.
15. Jangan sentuh terminal alat itu selepas digunakan kerana ia mungkin panas menyebabkan terbakar.
16. Jangan biarkan cip, habuk, atau tanah terperangkap ke dalam terminal, lubang, dan alur kartrij bateri. Ia mungkin menyebabkan prestasi atau pecahan yang buruk dari alat atau kartrij bateri.
17. Melainkan alat ini menyokong penggunaan yang hampir dari talian kuasa elektrik voltan tinggi, jangan gunakan kartrij bateri berhampiran talian kuasa elektrik voltan tinggi. Ia mungkin menyebabkan kerosakan atau pecah pada alat atau kartrij bateri.
18. Jauhkan bateri daripada kanak-kanak.

SIMPAN ARAHAN INI.

⚠PERHATIAN: Hanya gunakan bateri asli Makita. Penggunaan bateri tidak asli Makita, atau bateri yang telah diubah suai, mungkin menyebabkan bateri meletup menyebabkan kebakaran, kecederaan diri dan kerosakan. Ia juga membatalkan jaminan Makita untuk alat Makita dan pengcas.

Tip untuk mengekalkan hayat bateri maksimum

1. Cas kartrij bateri sebelum ternyahcas sepenuhnya. Sentiasa hentikan operasi alat dan cas kartrij bateri apabila anda menyedari kurang kuasa alat.
2. Jangan cas semula kartrij bateri yang dicas sepenuhnya. Terlebih cas memendekkan hayat servis bateri.
3. Cas kartrij bateri dengan suhu bilik pada 10 °C - 40 °C (50 °F - 104 °F). Biarkan kartrij bateri yang panas menyejuk sebelum mengcasnya.
4. Apabila tidak menggunakan kartrij bateri, tanggalkannya dari alat atau pengcas.
5. Cas kartrij bateri jika anda tidak menggunakannya untuk tempoh yang lama (lebih daripada enam bulan).

KETERANGAN FUNGSI

⚠️ PERHATIAN: Sentiasa pastikan alat dimatikan dan kartrij bateri dikeluarkan sebelum menyelaraskan atau menyemak fungsi pada alat.

Memasang atau mengeluarkan kartrij bateri

⚠️ PERHATIAN: Sentiasa matikan alat sebelum memasang atau mengeluarkan kartrij bateri.

⚠️ PERHATIAN: Pegang alat dan kartrij bateri dengan kukuh apabila memasang atau mengeluarkan kartrij bateri. Gagal untuk memegang alat dan kartrij bateri dengan kukuh mungkin menyebabkan mereka terlepas daripada tangan anda dan mengakibatkan kerosakan kepada alat dan kartrij bateri dan kecederaan peribadi.

► **Rajah1:** 1. Penunjuk merah 2. Butang 3. Kartrij bateri

Untuk mengeluarkan kartrij bateri, luncurkan ia daripada alat apabila meluncurkan butang di hadapan kartrij.

Untuk memasang kartrij bateri, selaraskan lidah pada kartrij bateri dengan alur pada perumahan dan gelincirkan ia ke tempatnya. Masukkan ia sepenuhnya sehingga ia terkunci di tempatnya dengan klik kecil. Jika anda boleh melihat penunjuk merah seperti yang ditunjukkan dalam rajah, ia tidak dikunci sepenuhnya.

⚠️ PERHATIAN: Sentiasa pasang kartrij bateri sepenuhnya sehingga penunjuk merah tidak boleh dilihat. Jika tidak, ia mungkin jatuh tanpa sengaja daripada alat, menyebabkan kecederaan kepada anda atau seseorang di sekeliling anda.

⚠️ PERHATIAN: Jangan pasang kartrij bateri secara paksa. Jika kartrij tidak meluncur dengan mudah, ia tidak dimasukkan dengan betul.

Menunjukkan kapasiti bateri yang tinggal

Tekan butang semak pada kartrij bateri untuk menunjukkan kapasiti bateri yang tinggal. Lampu penunjuk menyala untuk beberapa saat.

► **Rajah2:** 1. Lampu penunjuk 2. Butang semak

Lampu penunjuk			Kapasiti yang tinggal
Dinyalakan	Mati	Berkelip	
■	□	◐	75% hingga 100%
■	■	■	50% hingga 75%
■	■	□	25% hingga 50%
■	□	□	0% hingga 25%
◐	□	□	Cas bateri.
■	■	□	Bateri mungkin telah rosak.
□	□	■	

NOTA: Bergantung kepada keadaan penggunaan dan suhu persekitaran, penunjuk mungkin berbeza sedikit daripada kapasiti sebenar.

NOTA: Lampu penunjuk (kiri jauh) pertama akan berkedip apabila sistem perlindungan bateri berfungsi.

Sistem perlindungan alat / bateri

Alat dilengkapi dengan sistem perlindungan alat/bateri. Sistem ini memotong kuasa secara automatik untuk memanjangkan hayat alat dan bateri. Alat akan berhenti secara automatik ketika operasi jika alat atau bateri diletakkan di bawah salah satu syarat yang berikut:

Perlindungan lebih beban

Perlindungan ini berfungsi apabila alat/bateri dikendalikan dengan cara yang menyebabkannya menarik arus tinggi yang tidak normal. Dalam situasi ini, matikan alat dan hentikan penggunaan yang menyebabkan alat menjadi lebih beban. Kemudian, hidupkan alat untuk mula semula.

Perlindungan pemanasan lampau

Perlindungan ini berfungsi apabila alat/bateri terlampau panas. Lampu berkelip dan ikon amaran terlampau panas dipaparkan pada tolok tekanan. Dalam situasi ini, matikan alat dan biarkan alat dan bateri menyejuk. Kemudian, hidupkan semula alat.

Perlindungan lebih nyahcas

Perlindungan ini berlaku apabila kapasiti bateri yang tinggal menjadi rendah. Dalam situasi ini, keluarkan bateri daripada alat dan cas bateri.

Suis kuasa utama

⚠️ AMARAN: Sentiasa matikan suis kuasa utama apabila tidak digunakan.

⚠️ PERHATIAN: Apabila membawa alat itu, matikan suis kuasa utama. Jika tidak, dengan menarik pencetus suis secara tidak sengaja boleh menyebabkan kecederaan.

► Rajah3: 1. Suis kuasa utama

Untuk menghidupkan alat, tekan suis kuasa utama. Untuk mematikan alat, tekan suis kuasa utama sekali lagi.

NOTA: Alat ini menggunakan fungsi tutup kuasa auto. Untuk mengelakkan permulaan yang tidak disengajakan, suis kuasa utama akan dimatikan secara automatik apabila pemicu suis tidak ditarik untuk tempoh tertentu selepas suis kuasa utama dihidupkan.

Tindakan suis

⚠️ AMARAN: Sebelum memasang kartrij bateri ke dalam alat, sentiasa periksa untuk melihat pemicu suis bergerak dengan betul dan kembali ke posisi "OFF" apabila dilepaskan.

⚠️ AMARAN: Jangan pasang pita atau yang sedemikian untuk mengekalkan pemicu suis di kedudukan "ON".

Untuk memulakan alat, hanya tarik pemicu suis. Lepaskan pemicu suis untuk berhenti.

► Rajah4: 1. Pemicu suis

Tekanan tolak

► Rajah5

1	Ikon amaran terlampau panas
2	Mod pengepaman
3	Butang [-]
4	Butang [M]
5	Butang [+]
6	Penunjuk kemajuan pengepaman
7	Nilai tekanan semasa
8	Nilai tekanan sasaran
9	Unit nilai tekanan

Jika objek yang akan dipam disambungkan kepada alat, nilai tekanan semasa bagi objek dipaparkan pada tolak tekanan semasa anda menghidupkan alat. Jika tiada apa-apa yang bersambung kepada alat, tolak tekanan memaparkan "0".

Tolak tekanan juga memaparkan nilai tekanan sasaran, unit nilai tekanan dan mod pengepaman. Ia sama seperti kali terakhir.

Semasa anda memulakan pengepaman, penunjuk kemajuan pengepaman dipaparkan. Pengepaman selesai apabila penunjuk kemajuan pengepaman sampai ke hujung kanan.




Menetapkan nilai tekanan sasaran

Tekan butang [M] dan pilih unit nilai tekanan. Unit nilai tekanan ditukar setiap kali anda menekan butang [M]. Anda boleh memilih salah satu daripada tiga unit: PSI, BAR atau KPA.

Untuk meningkatkan nilai tekanan sasaran, tekan butang [+]. Untuk mengurangkan nilai tekanan sasaran, tekan butang [-]. Anda boleh menetapkan nilai tekanan sasaran antara 35 kPa (5 PSI) dan 1,110 kPa (161 PSI).

Menetapkan mod pengepaman

Tekan butang [M] selama 3 saat. Mod pengepaman ditukar setiap kali anda menekan dan menahan butang [M]. Anda boleh memilih salah satu daripada tiga mod seperti berikut.

Mod	Paparan	Tujuan	Julat tekanan boleh laras
Bola		Untuk mengepam bola	35 hingga 110 kPa (5 hingga 16 PSI)
Kelajuan rendah		Untuk mengepam objek pada kelajuan rendah	35 hingga 1,110 kPa (5 hingga 161 PSI)
Kelajuan tinggi		Untuk mengepam objek pada kelajuan tinggi	

NOTA: Pastikan anda memilih mod bola semasa anda mengepam bola menggunakan jarum bola sukan. Jika mod lain dipilih, pengepaman tidak boleh dilakukan dengan betul.

NOTA: Pastikan anda memilih mod kelajuan rendah semasa anda mengepam objek menggunakan penyesuai injap English. Jika mod lain dipilih, pengepaman tidak boleh dilakukan dengan betul.

Menyalakan lampu hadapan

Semasa anda menghidupkan alat dengan menekan suis kuasa utama, lampu menyala. Semasa anda mematikan alat dengan menekan suis kuasa utama, lampu padam.

► Rajah6: 1. Lampu 2. Suis kuasa utama

⚠️ PERHATIAN: Jangan lihat ke dalam cahaya atau lihat sumber cahaya secara langsung.

NOTIS: Apabila alat terlampau panas, lampu berkelip. Matikan alat dan biarkan alat menyejuk sepenuhnya sebelum mengendalikannya semula.

NOTA: Gunakan kain kering untuk mengelap kotoran daripada lensa lampu. Berhati-hati agar tidak mencalarakan lensa lampu, atau ia mungkin mengurangkan pencahayaan.

Penyesuai menyimpan

Penyesuai boleh disimpan di dalam alat pemegang penyesuai tersebut. Masukkan jarum bola sukan ke penyesuai injap Presta sebelum merapatkan ke pemegang penyesuai.

- **Rajah7:** 1. Jarum bola sukan 2. Penyesuai injap Presta 3. Pemegang penyesuai 4. Penyesuai tirus

Hos menyimpan

Hos boleh dirapatkan kepada pemegang hos alat tersebut.

- **Rajah8:** 1. Pemegang hos 2. Hos

Butang pelepas udara

NOTIS: Semasa penyesuai injap English dipasangkan kepada alat, udara tidak keluar walaupun anda menekan butang pelepas udara.

Apabila objek dipam secara berlebihan, tekan butang pelepas udara untuk melepaskan udara.

- **Rajah9:** 1. Butang pelepas udara

OPERASI

NOTA: Penyesuai standard berbeza bergantung kepada negara.

Menggunakan penyesuai injap Inggeris

NOTIS: Pastikan anda memilih mod kelajuan rendah semasa anda mengepam objek menggunakan penyesuai injap English. Jika mod lain dipilih, pengepaman tidak boleh dilakukan dengan betul.

1. Masukkan penyesuai injap Inggeris ke dalam cuk udara.
2. Pasang penyesuai injap Inggeris ke batang injap sambil membuka penyesuai injap Inggeris.
► **Rajah10:** 1. Penyesuai injap English 2. Cuk udara 3. Batang injap
3. Hidupkan alat.
4. Mengepam tayar dengan menarik pemicu suis semasa memeriksa status tayar.

NOTIS: Apabila menggunakan penyesuai injap Inggeris, tolok tekanan tidak akan memaparkan nilai yang tepat disebabkan oleh ciri-ciri injap. Apabila mengepam tayar, jangan gunakan nilai pada tolok tekanan, tetapi mengepamnya dengan memeriksa status tayar.

Jika alat berhenti sebelum tayar mencapai tekanan udara yang diinginkan, laraskan nilai tekanan, dan kemudian pam tayar lagi.

Menggunakan penyesuai injap Schrader

1. Pasang cuk udara ke batang injap.
► **Rajah11:** 1. Batang injap 2. Cuk udara
2. Hidupkan alat itu, dan kemudian tetapkan nilai tekanan yang sesuai untuk tayar menggunakan tolok tekanan.
3. Terus tarik pemicu suis sehingga alat berhenti. Tayar dipam dengan tekanan yang ditentukan.

Menggunakan penyesuai injap Presta

1. Longgarkan nat penguncian pada batang injap.
► **Rajah12:** 1. Mengunci nat
2. Pasang penyesuai injap Presta ke batang injap, kemudian pasang cuk udara kepada penyesuai injap Presta.
► **Rajah13:** 1. Penyesuai injap Presta 2. Batang injap 3. Cuk udara
3. Hidupkan alat itu, dan kemudian tetapkan nilai tekanan yang sesuai untuk tayar menggunakan tolok tekanan.
4. Terus tarik pemicu suis sehingga alat berhenti. Tayar dipam dengan tekanan yang ditentukan.
5. Tanggalkan cuk udara dan penyesuai injap Presta, dan kemudian ketatkan nat penguncian.

Menggunakan jarum bola sukan

NOTIS: Pastikan anda memilih mod bola semasa anda mengepam bola menggunakan jarum bola sukan. Jika mod lain dipilih, pengepaman tidak boleh dilakukan dengan betul.

Untuk mengepam bola sukan, gunakan jarum bola sukan.

1. Pasangkan jarum bola sukan kepada cuk udara.
► **Rajah14:** 1. Cuk udara 2. Jarum bola sukan
2. Masukkan jarum bola sukan ke dalam lubang pada bola.
3. Hidupkan alat.
4. Tetapkan mod pengepaman kepada mod bola dan tetapkan nilai tekanan yang sesuai untuk bola menggunakan tolok tekanan.
5. Tarik pemicu suis sehingga alat berhenti. Bola dipam dengan tekanan yang dinyatakan.

Menggunakan penyesuai tirus

⚠️ PERHATIAN: Berhati-hati agar tidak mengepam tiub pelampung secara berlebihan.

Untuk mengepam tiub pelampung, gunakan penyesuai tirus.

1. Pasangkan penyesuai tirus kepada cuk udara.
- ▶ **Rajah 15:** 1. Cuk udara 2. Penyesuai tirus
2. Masukkan penyesuai tirus ke dalam lubang pada tiub pelampung.
3. Hidupkan alat.
4. Pam tiub pelampung dengan menarik pemicu suis semasa memeriksa status tiub pelampung.

NOTIS: Semasa mengepam tiub pelampung, jangan rujuk nilai tekanan semasa pada tolok tekanan. Tolok tekanan tidak memaparkan nilai tekanan semasa yang tepat semasa tekanan tiub pelampung lebih rendah daripada 35 kPa (5 PSI).

PENYELENGGARAN

⚠️ PERHATIAN: Sentiasa pastikan alat dimatikan dan kartrij bateri dikeluarkan sebelum cuba menjalankan pemeriksaan atau penyelenggaraan.

NOTIS: Jangan gunakan petrol, benzin, pencair, alkohol atau bahan yang serupa. Ia boleh menyebabkan perubahan warna, bentuk atau keretakan.

Untuk mengekalkan KESELAMATAN dan KEBOLEHPERCAYAAN produk, pembaikan, apa-apa penyelenggaraan atau penyesuaian lain perlu dilakukan oleh Kilang atau Pusat Servis Makita yang Diiktiraf, sentiasa gunakan alat ganti Makita.

AKSESORI PILIHAN

⚠️ PERHATIAN: Aksesori-aksesori atau lampiran-lampiran ini adalah disyorkan untuk digunakan dengan alat Makita anda yang ditentukan dalam manual ini. Penggunaan mana-mana aksesori-aksesori atau lampiran-lampiran lain mungkin mengakibatkan risiko kecederaan kepada orang. Hanya gunakan aksesori atau lampiran untuk tujuan yang dinyatakan.

Jika anda memerlukan sebarang bantuan untuk maklumat lebih lanjut mengenai aksesori ini, tanya Pusat Perkhidmatan Makita tempatan anda.

- Bateri dan pengecas asli Makita

NOTA: Beberapa item dalam senarai mungkin disertakan dalam pakej alat sebagai aksesori standard. Item mungkin berbeza mengikut negara.

THÔNG SỐ KỸ THUẬT

Kiểu máy:		MP001G
Tổng chiều dài	với BL4025	320 mm
	với BL4040	329 mm
Áp suất không khí tối đa		1.110 kPa
Chu kỳ làm việc		10 phút Bật / 5 phút Tắt
Điện áp định mức		D.C. 36 V - tối đa 40 V
Khối lượng tịnh		2,9 - 3,5 kg

- Do chương trình nghiên cứu và phát triển liên tục của chúng tôi nên các thông số kỹ thuật trong đây có thể thay đổi mà không cần thông báo trước.
- Các thông số kỹ thuật và hộp pin có thể thay đổi tùy theo từng quốc gia.
- Khối lượng có thể khác nhau tùy thuộc vào (các) phụ kiện, bao gồm cả hộp pin. Tổ hợp nhẹ nhất và nặng nhất, theo Quy trình EPTA 01/2014, được trình bày trong bảng.

Hộp pin và sạc pin có thể áp dụng

Đối với các quốc gia khác ngoài Đài Loan và Hàn Quốc

Hộp pin	BL4020 / BL4025 / BL4040 / BL4050F
Bộ sạc	DC40RA / DC40RB / DC40RC

- Một số hộp pin và sạc pin được nêu trong danh sách ở trên có thể không khả dụng tùy thuộc vào khu vực cư trú của bạn.

⚠ CẢNH BÁO: Chỉ sử dụng hộp pin và sạc pin được nêu trong danh sách ở trên. Việc sử dụng bất cứ hộp pin và sạc pin nào khác có thể gây ra thương tích và/hoặc hỏa hoạn.

Đối với Đài Loan

Hộp pin	BL4025 / BL4040
Bộ sạc	DC40RA

- Một số hộp pin và sạc pin được nêu trong danh sách ở trên có thể không khả dụng tùy thuộc vào khu vực cư trú của bạn.

⚠ CẢNH BÁO: Chỉ sử dụng hộp pin và sạc pin được nêu trong danh sách ở trên. Việc sử dụng bất cứ hộp pin và sạc pin nào khác có thể gây ra thương tích và/hoặc hỏa hoạn.

Đối với Hàn Quốc

Hộp pin	BL4025 / BL4040
Bộ sạc	DC40RA

- Một số hộp pin và sạc pin được nêu trong danh sách ở trên có thể không khả dụng tùy thuộc vào khu vực cư trú của bạn.

⚠ CẢNH BÁO: Chỉ sử dụng hộp pin và sạc pin được nêu trong danh sách ở trên. Việc sử dụng bất cứ hộp pin và sạc pin nào khác có thể gây ra thương tích và/hoặc hỏa hoạn.

Ký hiệu

Phản dưới đây cho biết các ký hiệu có thể được dùng cho thiết bị. Đảm bảo rằng bạn hiểu rõ ý nghĩa của các ký hiệu này trước khi sử dụng.



Đọc tài liệu hướng dẫn.



Nguy cơ vỡ tung.



Ni-MH
Li-Ion

Chỉ dành cho các quốc gia EU
Do có các thành phần nguy hiểm bên trong thiết bị điện và điện tử, ắc quy và pin thải bỏ nên có thể có tác động không tốt đến môi trường và sức khỏe con người. Không vứt bỏ các thiết bị điện và điện tử hoặc pin với rác thải sinh hoạt!
Theo Chỉ thị của Châu Âu về thiết bị điện và điện tử thải bỏ và về pin và ắc quy và pin và ắc quy thải bỏ, cũng như sự thích ứng của chúng với luật pháp quốc gia, các thiết bị điện, pin và ắc quy thải phải được cất giữ riêng biệt và chuyển đến một điểm thu gom rác thải đô thị riêng, hoạt động theo các quy định về bảo vệ môi trường. Điều này được biểu thị bằng biểu tượng thùng rác có bánh xe gạch chéo được đặt trên thiết bị.

Mục đích sử dụng

Dụng cụ này dùng để bơm lốp xe, bóng thể thao hoặc phao nổi tự do nhỏ.

CẢNH BÁO AN TOÀN

Cảnh báo an toàn chung dành cho dụng cụ máy

⚠ CẢNH BÁO: Xin đọc tất cả các cảnh báo an toàn, hướng dẫn, minh họa và thông số kỹ thuật đi kèm với dụng cụ máy này. Việc không tuân theo các hướng dẫn được liệt kê dưới đây có thể dẫn đến điện giật, hỏa hoạn và/hoặc thương tích nghiêm trọng.

Lưu giữ tất cả cảnh báo và hướng dẫn để tham khảo sau này.

Thuật ngữ “dụng cụ máy” trong các cảnh báo đề cập đến dụng cụ máy (có dây) được vận hành bằng nguồn điện chính hoặc dụng cụ máy (không dây) được vận hành bằng pin của bạn.

An toàn nơi làm việc

- Giữ nơi làm việc sạch sẽ và có đủ ánh sáng.** Nơi làm việc bừa bộn hoặc tối thường dễ gây ra tai nạn.
- Không vận hành dụng cụ máy trong môi trường cháy nổ, ví dụ như môi trường có sự hiện diện của các chất lỏng, khí hoặc bụi dễ cháy.** Các dụng cụ máy tạo tia lửa điện có thể làm bụi hoặc khí bốc cháy.

- Giữ trẻ em và người ngoài tránh xa nơi làm việc khi đang vận hành dụng cụ máy.** Sự xao lãng có thể khiến bạn mất khả năng kiểm soát.

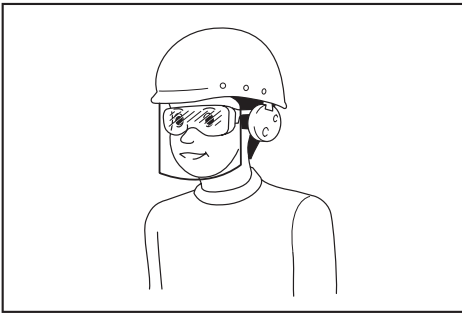
An toàn về Điện

- Phích cắm của dụng cụ máy phải khớp với ổ cắm. Không được sửa đổi phích cắm theo bất kỳ cách nào. Không sử dụng bất kỳ phích chuyên đổi nào với các dụng cụ máy được nối đất (tiếp đất).** Các phích cắm còn nguyên vẹn và ổ cắm phù hợp sẽ giảm nguy cơ điện giật.
- Tránh để cơ thể tiếp xúc với các bề mặt nối đất hoặc tiếp đất như đường ống, bộ tản nhiệt, bếp ga và tủ lạnh.** Nguy cơ bị điện giật sẽ tăng lên nếu cơ thể bạn được nối đất hoặc tiếp đất.
- Không để dụng cụ máy tiếp xúc với mưa hoặc trong điều kiện ẩm ướt.** Nước lọt vào dụng cụ máy sẽ làm tăng nguy cơ điện giật.
- Không lạm dụng dây điện.** Không được phép sử dụng dây để mang, kéo hoặc tháo phích cắm dụng cụ máy. Giữ dây tránh xa nguồn nhiệt, dầu, các mép sắc hoặc các bộ phận chuyển động. Dây bị hỏng hoặc bị rối sẽ làm tăng nguy cơ điện giật.
- Khí vận hành dụng cụ máy ngoài trời, hãy sử dụng dây kéo dài phù hợp cho việc sử dụng ngoài trời.** Việc dùng dây phù hợp cho việc sử dụng ngoài trời sẽ giảm nguy cơ điện giật.
- Nếu bắt buộc phải vận hành dụng cụ máy ở nơi ẩm ướt, hãy sử dụng nguồn cấp điện được bảo vệ bằng thiết bị ngắt dòng điện rò (RCD).** Việc sử dụng RCD sẽ làm giảm nguy cơ điện giật.
- Các dụng cụ máy có thể tạo ra từ trường điện (EMF) có hại cho người dùng.** Tuy nhiên, người dùng máy trợ tim và những thiết bị y tế tương tự khác nên liên hệ với nhà sản xuất thiết bị và/hoặc bác sĩ để được tư vấn trước khi vận hành dụng cụ này.

An toàn Cá nhân

- Luôn tỉnh táo, quan sát những việc bạn đang làm và sử dụng những phán đoán theo kinh nghiệm khi vận hành dụng cụ máy. Không sử dụng dụng cụ máy khi bạn đang mệt mỏi hoặc chịu ảnh hưởng của ma túy, rượu hay thuốc.** Chỉ một khoảnh khắc không tập trung khi đang vận hành dụng cụ máy cũng có thể dẫn đến thương tích cá nhân nghiêm trọng.
- Sử dụng thiết bị bảo hộ cá nhân. Luôn đeo thiết bị bảo vệ mắt.** Các thiết bị bảo hộ như mặt nạ chống bụi, giày an toàn chống trượt, mũ bảo hộ hay thiết bị bảo vệ thính giác được sử dụng trong các điều kiện thích hợp sẽ giúp giảm thương tích cá nhân.
- Tránh vô tình khởi động dụng cụ máy. Đảm bảo công tắc ở vị trí off (tắt) trước khi nối nguồn điện và/hoặc bộ pin, cầm hoặc di chuyển dụng cụ máy.** Việc di chuyển dụng cụ máy khi đang đặt ngón tay ở vị trí công tắc hoặc cấp điện cho dụng cụ máy đang bật thường dễ gây ra tai nạn.
- Tháo tất cả các khóa hoặc cờ lê điều chỉnh trước khi bật dụng cụ máy.** Việc cờ lê hoặc khóa vẫn còn gắn vào bộ phận quay của dụng cụ máy có thể dẫn đến thương tích cá nhân.

5. **Không với quá cao. Luôn giữ thăng bằng tốt và có chỗ để chân phù hợp.** Điều này cho phép điều khiển dụng cụ máy tốt hơn trong những tình huống bất ngờ.
6. **Ăn mặc phù hợp. Không mặc quần áo rộng hay đeo đồ trang sức. Giữ tóc và quần áo tránh xa các bộ phận chuyển động.** Quần áo rộng, đồ trang sức hay tóc dài có thể mắc vào các bộ phận chuyển động.
7. **Nếu các thiết bị được cung cấp để kết nối các thiết bị thu gom và hút bụi, hãy đảm bảo chúng được kết nối và sử dụng hợp lý.** Việc sử dụng thiết bị thu gom bụi có thể làm giảm những mối nguy hiểm liên quan đến bụi.
8. **Không vì quen thuộc do thường xuyên sử dụng các dụng cụ mà cho phép bạn trở nên tự mãn và bỏ qua các nguyên tắc an toàn dụng cụ.** Một hành động bất cẩn có thể gây ra thương tích nghiêm trọng trong một phần của một giây.
9. **Luôn luôn mang kính bảo hộ để bảo vệ mắt khỏi bị thương khi đang sử dụng các dụng cụ máy. Kính bảo hộ phải tuân thủ ANSI Z87.1 ở Mỹ, EN 166 ở Châu Âu, hoặc AS/NZS 1336 ở Úc/New Zealand. Tại Úc/New Zealand, theo luật pháp, bạn cũng phải mang mặt nạ che mặt để bảo vệ mắt.**



Trách nhiệm của chủ lao động là bắt buộc người vận hành dụng cụ và những người khác trong khu vực làm việc cạnh đó phải sử dụng các thiết bị bảo hộ an toàn thích hợp.

Sử dụng và bảo quản dụng cụ máy

1. **Không dùng lực đối với dụng cụ máy. Sử dụng đúng dụng cụ máy cho công việc của bạn.** Sử dụng đúng dụng cụ máy sẽ giúp thực hiện công việc tốt hơn và an toàn hơn theo giá trị định mức được thiết kế của dụng cụ máy đó.
2. **Không sử dụng dụng cụ máy nếu công tắc không bật và tắt được dụng cụ máy đó.** Mọi dụng cụ máy không thể điều khiển được bằng công tắc đều rất nguy hiểm và phải được sửa chữa.
3. **Rút phích cắm ra khỏi nguồn điện và/hoặc tháo kết nối bộ pin khỏi dụng cụ máy, nếu có thể tháo rời trước khi thực hiện bất kỳ công việc điều chỉnh, thay đổi phụ tùng hay cất giữ dụng cụ máy nào.** Những biện pháp an toàn phòng ngừa này sẽ giảm nguy cơ vô tình khởi động dụng cụ máy.

4. **Cất giữ các dụng cụ máy không sử dụng ngoài tầm với của trẻ em và không cho bất kỳ người nào không có hiểu biết về dụng cụ máy hoặc các hướng dẫn này vận hành dụng cụ máy.** Dụng cụ máy sẽ rất nguy hiểm nếu được sử dụng bởi những người dùng chưa qua đào tạo.
5. **Bảo dưỡng dụng cụ máy và các phụ kiện. Kiểm tra tình trạng lệch trục hoặc bó kẹt của các bộ phận chuyển động, hiện tượng nứt vỡ của các bộ phận và mọi tình trạng khác mà có thể ảnh hưởng đến hoạt động của dụng cụ máy. Nếu có hỏng hóc, hãy sửa chữa dụng cụ máy trước khi sử dụng.** Nhiều tai nạn xảy ra là do không bảo quản tốt dụng cụ máy.
6. **Luôn giữ cho dụng cụ cắt được sắc bén và sạch sẽ.** Những dụng cụ cắt được bảo quản tốt có mép cắt sắc sẽ ít bị kẹt hơn và dễ điều khiển hơn.
7. **Sử dụng dụng cụ máy, phụ tùng và đầu dụng cụ cắt, v.v... theo các hướng dẫn này, có tính đến điều kiện làm việc và công việc được thực hiện.** Việc sử dụng dụng cụ máy cho các công việc khác với công việc dự định có thể gây nguy hiểm.
8. **Giữ tay cầm và bề mặt tay cầm khô, sạch, không dính dầu và mỡ.** Tay cầm trơn trượt và bề mặt tay cầm không cho phép xử lý an toàn và kiểm soát dụng cụ trong các tình huống bất ngờ.
9. **Khi sử dụng dụng cụ, không được đi giày tay lao động bằng vải, có thể bị vướng.** Việc giày tay lao động bằng vải vướng vào các bộ phận chuyển động có thể gây ra thương tích cá nhân.

Sử dụng và bảo quản dụng cụ dùng pin

1. **Chỉ sạc pin lại với bộ sạc do nhà sản xuất quy định.** Bộ sạc phù hợp với một loại bộ pin này có thể gây ra nguy cơ hỏa hoạn khi được dùng cho một bộ pin khác.
2. **Chỉ sử dụng các dụng cụ máy với các bộ pin được quy định cụ thể.** Việc sử dụng bất cứ bộ pin nào khác có thể gây ra thương tích và hỏa hoạn.
3. **Khi không sử dụng bộ pin, hãy giữ tránh xa các đồ vật khác bằng kim loại, chẳng hạn như kẹp giấy, tiền xu, chìa khóa, đinh, ốc vít hoặc các vật nhỏ bằng kim loại mà có thể làm nối tất cả các đầu cực pin.** Các đầu cực pin bị đoản mạch có thể gây cháy hoặc hỏa hoạn.
4. **Trong điều kiện sử dụng quá mức, pin có thể bị cháy nước; hãy tránh tiếp xúc. Nếu vô tình tiếp xúc với pin bị cháy nước, hãy rửa sạch bằng nước. Nếu dung dịch từ pin tiếp xúc với mắt, cần đi khám bác sĩ thêm.** Dung dịch chảy ra từ pin có thể gây rất da hoặc bỏng.
5. **Không sử dụng bộ pin hoặc dụng cụ bị hư hỏng hoặc đã bị sửa đổi.** Pin đã bị hư hỏng hoặc đã bị sửa đổi có thể hành động theo cách không thể đoán trước dẫn đến cháy, nổ hoặc nguy cơ chấn thương.
6. **Không để bộ pin hoặc dụng cụ tiếp xúc với lửa hoặc nhiệt độ quá cao.** Tiếp xúc với lửa hoặc nhiệt độ trên 130 °C có thể gây ra cháy nổ.

- Làm theo tất cả các hướng dẫn sạc pin và không được sạc bộ pin hoặc dụng cụ vượt giới hạn nhiệt độ quy định trong hướng dẫn. Sạc pin không đúng hoặc ở nhiệt độ vượt giới hạn nhiệt độ có thể gây hư hỏng cho pin và làm tăng nguy cơ cháy.

Bảo dưỡng

- Đề nhân viên sửa chữa đủ trình độ bảo dưỡng dụng cụ máy của bạn và chỉ sử dụng các bộ phận thay thế đồng nhất. Việc này sẽ đảm bảo dụng cụ được độ an toàn của dụng cụ máy.
- Không bao giờ sử dụng bộ pin đã hỏng. Dịch vụ bảo hành bộ pin chỉ nên thực hiện bởi nhà sản xuất hoặc các nhà cung cấp dịch vụ được ủy quyền.
- Tuân theo hướng dẫn dành cho việc bôi trơn và thay phụ tùng.

Cảnh báo an toàn với máy bơm hơi cầm tay hoạt động bằng pin

- Khi bơm đồ vật, hãy nối chặt mâm cặp khí nén, phích nối và van. Nếu không, đồ vật, ống dẫn, mâm cặp khí nén, hoặc phích nối có thể bị hỏng và bạn có thể bị thương.
- Xả áp suất không khí từ từ. Khi tháo ống dẫn sau khi bơm đồ vật, hãy cầm chặt đồ vật, ống dẫn và mâm cặp khí nén. Đồ vật, mâm cặp khí nén, hoặc phích nối có thể bật lên do khí xả và gây thương tích.
- Không bơm đồ vật vượt quá áp suất tối đa của đồ vật. Nếu không, dụng cụ hoặc đồ vật có thể bị hỏng và bạn có thể bị thương.
- Không sử dụng dụng cụ vượt quá áp suất đầu ra tối đa của dụng cụ. Sử dụng dụng cụ với áp suất đầu ra lớn hơn áp suất đầu ra tối đa của dụng cụ có thể làm nổ đồ vật hoặc dụng cụ.
- Chỉ bơm đồ vật có thể được nhà sản xuất bơm, ví dụ như lốp xe, bóng thể thao hoặc phao nổi nhỏ. Bơm các đồ vật khác có thể làm hỏng đồ vật và gây thương tích.
- Khi bơm đồ vật, hãy kiểm tra máy đo áp suất, tình trạng của dụng cụ và đồ vật, và kiểm tra để đảm bảo không có rò rỉ khí. Nếu không, dụng cụ và đồ vật có thể bị hỏng và gây chấn thương.
- Khi xách dụng cụ, hãy giữ tay cầm của dụng cụ. Không giữ hoặc kéo ống dẫn. Dụng cụ có thể bị hỏng và gây chấn thương.
- Sau khi bơm đồ vật, hãy kiểm tra áp suất không khí bằng cách sử dụng thiết bị đo đã hiệu chuẩn và đáng tin cậy. Chỉ sử dụng máy đo áp suất của dụng cụ để tham khảo.
- Sau khi sử dụng dụng cụ trong 10 phút liên tục, ngưng sử dụng dụng cụ trong 5 phút để làm mát. Không sử dụng dụng cụ vượt quá thời gian hoạt động liên tục cho phép. Nếu không, dụng cụ có thể bị hỏng và gây chấn thương.
- Không sử dụng dụng cụ trên cát hoặc bề mặt có bụi. Dị vật có thể lọt vào bên trong dụng cụ và gây trục trặc.
- Không hướng đầu ra của ống dẫn vào chính bạn hoặc người khác. Đồ vật có thể bị thổi bay và gây thương tích.

- Không hướng đầu ra của ống dẫn vào bụi hoặc vật tương tự. Bụi có thể văng ra và gây thương tích.
- Không bơm các đồ vật có dung tích lớn. Nếu bạn bơm đồ vật có dung tích lớn, dụng cụ có thể trở nên rất nóng và có thể làm bỏng da bạn.
- Không chạm vào dụng cụ, ống dẫn, mâm cặp khí nén, hoặc phích nối ngay sau khi bơm đồ vật. Bộ phận kim loại có thể trở nên rất nóng và có thể gây bỏng da.
- Không sử dụng dụng cụ bằng tay ướt.
- Đảm bảo rằng ống dẫn không bị vướng. Ống dẫn bị vướng có thể gây mất thăng bằng và gây thương tích.
- Tuyệt đối không để dụng cụ mà không có người giám sát khi ống dẫn được gắn vào đồ vật hoặc trong quá trình vận hành.
- Không sử dụng dụng cụ làm thiết bị thời.
- Không sử dụng dụng cụ để phun hóa chất. Phổi của bạn có thể bị tổn thương do hít phải khí độc.
- Vận hành dụng cụ trong khu vực mở cách ít nhất 50 cm khỏi bất kỳ khu vực tường hoặc đồ vật nào có thể hạn chế luồng gió vào lỗ mở thông gió.
- Không tháo rời dụng cụ.
- Chỉ sử dụng phụ kiện tiêu chuẩn do Makita cung cấp. Việc sử dụng bất cứ phụ kiện hoặc phụ tùng gắn thêm nào khác đều có thể gây ra rủi ro thương tích cho người.
- Trước khi bạn bơm lốp xe, hãy đảm bảo rằng không có vết trầy xước hoặc vết nứt trên lốp xe. Lốp xe bị hỏng có thể nổ khi được bơm và gây thương tích.
- Khi bạn bơm lốp xe, không đứng trước thành lốp.

Hướng dẫn quan trọng về an toàn dành cho hộp pin

- Trước khi sử dụng hộp pin, hãy đọc kỹ tất cả các hướng dẫn và dấu hiệu cảnh báo trên (1) bộ sạc pin, (2) pin và (3) sản phẩm sử dụng pin.
- Không tháo rời hoặc làm thay đổi hộp pin. Việc này có thể dẫn đến hỏa hoạn, quá nhiệt hoặc nổ.
- Nếu thời gian vận hành ngắn hơn qua mức, hãy ngừng vận hành ngay lập tức. Điều này có thể dẫn đến rủi ro quá nhiệt, có thể gây bỏng và thậm chí là nổ.
- Nếu chất điện phân rơi vào mắt, hãy rửa sạch bằng nước sạch và đến cơ sở y tế ngay lập tức. Chất này có thể khiến bạn giảm thị lực.
- Không để hộp pin ở tình trạng đoản mạch:
 - Không chạm vào cực pin bằng vật liệu dẫn điện.
 - Tránh cất giữ hộp pin trong hộp có các vật kim loại khác như đinh, tiền xu, v.v...
 - Không được để hộp pin tiếp xúc với nước hoặc mưa.
 Đoản mạch pin có thể gây ra dòng điện lớn, quá nhiệt, có thể gây bỏng và thậm chí là hỏng hóc.

6. Không cất giữ cũng như sử dụng dụng cụ và hộp pin ở nơi nhiệt độ có thể lên tới hoặc vượt quá 50 °C (122 °F).
7. Không đốt hộp pin ngay cả khi hộp pin đã bị hư hại nặng hoặc hư hỏng hoàn toàn. Hộp pin có thể nổ khi tiếp xúc với lửa.
8. Không đóng đinh, cắt, nghiền nát, ném, làm rơi hộp pin hoặc va đập cứng vào hộp pin. Làm như thế có thể dẫn đến hỏa hoạn, quá nhiệt hoặc nổ.
9. Không sử dụng pin đã hỏng.
10. Pin nén lithium-ion là đối tượng có yêu cầu bắt buộc theo Luật Hàng hoá Nguy hiểm.
Đối với vận tải thương mại, ví dụ như vận tải do bên thứ ba, đại lý giao nhận, thì yêu cầu đặc biệt về đóng gói và nhãn ghi phải được giám sát.
Để chuẩn bị cho mặt hàng cần vận chuyển, cần phải tham khảo ý kiến chuyên gia về vật liệu nguy hiểm. Nếu được, vui lòng tuân thủ các quy định quốc gia chi tiết hơn.
Buộc hoặc niêm phong các tiếp điểm mờ và đóng gói pin theo cách đó để nó không thể di chuyển trong bao bì.
11. Khi vứt bỏ hộp pin, hãy tháo chúng khỏi dụng cụ và thải bỏ ở nơi an toàn. Phải tuân thủ theo các quy định của địa phương liên quan đến việc thải bỏ pin.
12. Chỉ sử dụng pin cho các sản phẩm Makita chi định. Lắp pin vào sản phẩm không thích hợp có thể gây ra hỏa hoạn, quá nhiệt, nổ, hoặc rò chất điện phân.
13. Nếu dụng cụ không được sử dụng trong một thời gian dài, cần phải tháo pin ra khỏi dụng cụ.
14. Trong và sau khi sử dụng, hộp pin có thể bị nóng, có thể gây bỏng hoặc bỏng ở nhiệt độ thấp. Chú ý xử lý hộp pin nóng.
15. Không chạm vào điện cực của dụng cụ ngay sau khi sử dụng vì điện cực đủ nóng để gây bỏng.
16. Không để vụn bào, bụi hoặc đất bám vào các điện cực, lỗ và rãnh của hộp pin. Việc này có thể dẫn đến hiệu suất kém hoặc hỏng hóc dụng cụ hay hộp pin.
17. Trừ khi dụng cụ hỗ trợ sử dụng gần đường dây điện cao thế, không sử dụng hộp pin gần đường dây điện cao thế. Việc này có thể dẫn đến trực tiếp hoặc hỏng hóc dụng cụ hay hộp pin.
18. Giữ pin tránh xa trẻ em.

LƯU GIỮ CÁC HƯỚNG DẪN NÀY.

⚠ THẬN TRỌNG: Chỉ sử dụng pin Makita chính hãng. Việc sử dụng pin không chính hãng Makita, hoặc pin đã được sửa đổi, có thể dẫn đến nổ pin gây ra cháy, thương tích và thiệt hại cá nhân. Nó cũng sẽ làm mất hiệu lực bảo hành của Makita dành cho dụng cụ của Makita và bộ sạc.

Mẹo duy trì tuổi thọ tối đa cho pin

1. Sạc hộp pin trước khi pin bị xả điện hoàn toàn. Luôn dừng việc vận hành dụng cụ và sạc pin khi bạn nhận thấy công suất dụng cụ bị giảm.
2. Không được phép sạc lại một hộp pin đã được sạc đầy. Sạc quá mức sẽ làm giảm tuổi thọ của pin.
3. Sạc pin ở nhiệt độ phòng 10°C - 40°C. Để cho hộp pin nóng nguội lại dần trước khi sạc pin.
4. Khi không sử dụng hộp pin, hãy tháo hộp pin ra khỏi dụng cụ hoặc bộ sạc.
5. Sạc pin sáu tháng một lần nếu bạn không sử dụng dụng cụ trong một thời gian dài (hơn sáu tháng).

MÔ TẢ CHỨC NĂNG

⚠ THẬN TRỌNG: Luôn đảm bảo rằng đã tắt dụng cụ và tháo hộp pin ra trước khi thực hiện việc điều chỉnh hoặc kiểm tra chức năng trên dụng cụ.

Lắp hoặc tháo hộp pin

⚠ THẬN TRỌNG: Luôn tắt dụng cụ trước khi lắp hoặc tháo hộp pin.

⚠ THẬN TRỌNG: Giữ dụng cụ và hộp pin thật chắc khi lắp hoặc tháo hộp pin. Không giữ dụng cụ và hộp pin thật chắc có thể làm trượt chúng khỏi tay và làm hư hỏng dụng cụ và hộp pin hoặc gây thương tích cá nhân.

► Hình1: 1. Chỉ báo màu đỏ 2. Nút 3. Hộp pin

Để tháo hộp pin, vừa trượt pin ra khỏi dụng cụ vừa đẩy trượt nút ở phía trước hộp pin.

Để lắp hộp pin, đặt thẳng hàng phần chốt nhỏ ra của hộp pin vào phần rãnh nằm trên vỏ và trượt hộp pin vào vị trí. Đưa hộp pin vào hết mức cho đến khi chốt khóa vào đúng vị trí với một tiếng cách nhẹ. Nếu bạn có thể nhìn thấy chỉ báo màu đỏ như thể hiện trong hình, điều đó có nghĩa vẫn chưa được khóa hoàn toàn.

⚠ THẬN TRỌNG: Luôn lắp hộp pin khớp hoàn toàn vào vị trí cho đến khi không thể nhìn thấy chỉ báo màu đỏ. Nếu không, hộp pin có thể vô tình rơi ra khỏi dụng cụ, gây thương tích cho bạn hoặc người khác xung quanh.

⚠ THẬN TRỌNG: Không được dùng sức lắp hộp pin. Nếu hộp pin không nhẹ nhàng trượt vào vị trí, có nghĩa là pin vẫn chưa được lắp đúng.

Chỉ báo dung lượng pin còn lại

Ấn nút check (kiểm tra) trên hộp pin để chỉ báo dung lượng pin còn lại. Các đèn chỉ báo bật sáng lên trong vài giây.

► **Hình2:** 1. Các đèn chỉ báo 2. Nút Check (kiểm tra)

Các đèn chỉ báo			Dung lượng còn lại
Bật sáng	Tắt	Nhấp nháy	
			75% đến 100%
			50% đến 75%
			25% đến 50%
			0% đến 25%
			Sạc pin.
			Pin có thể đã bị hỏng.

LƯU Ý: Tùy thuộc vào các điều kiện sử dụng và nhiệt độ xung quanh, việc chỉ báo có thể khác biệt một chút so với dung lượng thực sự.

LƯU Ý: Đèn chỉ báo (phía xa bên trái) đầu tiên sẽ nhấp nháy khi hệ thống bảo vệ pin hoạt động.

Hệ thống bảo vệ dụng cụ / pin

Dụng cụ này được trang bị hệ thống bảo vệ dụng cụ/pin. Hệ thống này sẽ tự động ngắt nguồn điện để kéo dài tuổi thọ dụng cụ và pin. Dụng cụ sẽ tự động dừng vận hành khi dụng cụ hoặc pin ở một trong những trường hợp sau đây:

Bảo vệ quá tải

Tính năng bảo vệ này sẽ hoạt động khi dụng cụ/pin được vận hành theo cách gây ra dòng điện cao bất thường. Trong trường hợp này, hãy tắt dụng cụ và ngừng việc sử dụng đã làm cho dụng cụ trở nên quá tải. Sau đó bật dụng cụ lên để khởi động lại.

Bảo vệ quá nhiệt

Tính năng bảo vệ này sẽ hoạt động khi dụng cụ/pin bị quá nhiệt. Đèn nhấp nháy và biểu tượng cảnh báo quá nhiệt sẽ hiển thị trên máy đo áp suất. Trong tình huống này, hãy tắt dụng cụ đồng thời để dụng cụ và pin nguội đi. Sau đó, bật dụng cụ lên lại.

Bảo vệ xả điện quá mức

Tính năng bảo vệ này sẽ hoạt động khi dung lượng pin còn lại ít. Trong tình huống này, hãy tháo pin khỏi dụng cụ và sạc pin lại.

Công tắc nguồn chính

⚠ CẢNH BÁO: Luôn luôn tắt công tắc nguồn chính khi không sử dụng.

⚠ THẬN TRỌNG: Khi cầm dụng cụ, hãy tắt công tắc nguồn chính. Nếu không, vô ý kéo cần khởi động công tắc có thể gây thương tích.

► **Hình3:** 1. Công tắc nguồn chính

Để bật dụng cụ, nhấn công tắc nguồn chính. Để tắt dụng cụ, nhấn công tắc nguồn chính lần nữa.

LƯU Ý: Dụng cụ này sử dụng chức năng tắt nguồn tự động. Để tránh việc khởi động ngoài ý muốn, công tắc nguồn chính sẽ tự động tắt khi cần khởi động công tắc không được kéo trong một khoảng thời gian nhất định sau khi công tắc nguồn chính được bật lên.

Hoạt động công tắc

⚠ CẢNH BÁO: Trước khi lắp hộp pin vào dụng cụ, luôn luôn kiểm tra xem cần khởi động công tắc có hoạt động bình thường hay không và trả về vị trí "OFF" (TẮT) khi nhả ra.

⚠ CẢNH BÁO: Không gắn băng dính hay vật tương tự để giữ cần khởi động công tắc ở vị trí "BẬT".

Để khởi động dụng cụ, chỉ cần kéo cần khởi động công tắc. Nhả cần khởi động công tắc ra để dừng.

► **Hình4:** 1. Cần khởi động công tắc

Máy đo áp suất

► **Hình5**

1	Biểu tượng cảnh báo quá nhiệt
2	Chế độ bơm
3	Nút [-]
4	Nút [M]
5	Nút [+]
6	Chỉ báo tiến độ bơm
7	Giá trị áp suất hiện tại
8	Giá trị áp suất mục tiêu
9	Đơn vị giá trị áp suất

Nếu đồ vật cần bơm được nối vào dụng cụ, giá trị áp suất hiện tại của đồ vật sẽ được hiển thị trên máy đo áp suất khi bạn bật dụng cụ. Nếu không có vật nào được nối với dụng cụ, máy đo áp suất sẽ hiển thị "0".

Máy đo áp suất cũng hiển thị giá trị áp suất mục tiêu, đơn vị giá trị áp suất và chế độ bơm. Chúng sẽ giống như lần cuối cùng sử dụng.




Khi bạn bắt đầu bơm, chỉ số tiến độ bơm sẽ được hiển thị. Việc bơm hoàn tất khi chỉ số tiến độ bơm chỉ đến phía cuối bên phải.

Cài đặt giá trị áp suất mục tiêu

Nhấn nút [M], và chọn đơn vị giá trị áp suất. Đơn vị giá trị áp suất sẽ thay đổi mỗi lần bạn nhấn nút [M]. Bạn có thể chọn một trong ba đơn vị: PSI, BAR, hoặc KPA. Để tăng giá trị áp suất mục tiêu, nhấn nút [+]. Để giảm giá trị áp suất mục tiêu, nhấn nút [-]. Bạn có thể đặt giá trị áp suất mục tiêu trong khoảng từ 35 kPa (5 PSI) đến 1.110 kPa (161 PSI).

Cài đặt chế độ bơm

Nhấn nút [M] trong 3 giây. Chế độ bơm sẽ thay đổi mỗi lần bạn nhấn và giữ nút [M]. Bạn có thể chọn một trong ba chế độ như sau.

Chế độ	Màn hình	Mục đích	Phạm vi áp suất có thể điều chỉnh
Bóng		Để bơm bóng	35 đến 110 kPa (5 đến 16 PSI)
Tốc độ thấp		Để bơm các đồ vật ở tốc độ thấp	35 đến 1.110 kPa (5 đến 161 PSI)
Tốc độ cao		Để bơm các đồ vật ở tốc độ cao	

LƯU Ý: Đảm bảo chọn chế độ bóng khi bạn bơm bóng bằng cách sử dụng kim bơm bóng thể thao. Nếu chọn chế độ khác, không thể thực hiện việc bơm đúng cách.

LƯU Ý: Đảm bảo chọn chế độ tốc độ thấp khi bạn bơm một đồ vật bằng cách sử dụng phích nối van English. Nếu chọn chế độ khác, không thể thực hiện việc bơm đúng cách.

Bật sáng đèn phía trước

Khi bạn bật dụng cụ bằng cách nhấn công tắc nguồn chính, đèn sẽ sáng lên. Khi bạn tắt dụng cụ bằng cách nhấn công tắc nguồn chính, đèn sẽ tắt.

► **Hình6:** 1. Đèn 2. Công tắc nguồn chính

⚠ THẬN TRỌNG: Đừng nhìn thẳng trực tiếp vào đèn hoặc nguồn sáng.

CHÚ Ý: Khi dụng cụ bị quá nhiệt, đèn sẽ nhấp nháy. Tắt dụng cụ và để dụng cụ nguội hoàn toàn trước khi vận hành dụng cụ lại.

LƯU Ý: Dùng vải khô để lau bụi bẩn trên kính đèn. Cần thận trọng được làm xước kính đèn, nếu không đèn có thể bị giảm độ sáng.

Cắt giữ phích nối

Có thể cắt giữ phích nối trong giá đỡ phích nối của dụng cụ. Chèn kim bơm bóng thể thao vào phích nối van Presta trước khi gắn chúng vào giá đỡ phích nối.

► **Hình7:** 1. Kim bơm bóng thể thao 2. Phích nối van Presta 3. Giá đỡ phích nối 4. Phích nối hình nón

Cắt giữ ống dẫn

Ống dẫn có thể được gắn vào giá đỡ ống dẫn của dụng cụ.

► **Hình8:** 1. Giá đỡ ống 2. Ống dẫn

Nút xả khí

CHÚ Ý: Trong khi gắn phích nối van English vào dụng cụ, không khí không thoát ra ngay cả khi bạn nhấn nút xả khí.

Khi đồ vật được bơm quá mức, nhấn nút xả khí để xả khí.

► **Hình9:** 1. Nút xả khí

VẬN HÀNH

LƯU Ý: Bộ chuyển đổi tiêu chuẩn sẽ khác nhau tùy theo quốc gia.

Sử dụng phích nối van English

CHÚ Ý: Đảm bảo chọn chế độ tốc độ thấp khi bạn bơm một đồ vật bằng cách sử dụng phích nối van English. Nếu chọn chế độ khác, không thể thực hiện việc bơm đúng cách.

1. Lắp phích nối van English vào mâm cặp khí nén.
2. Gắn phích nối van English vào thân van trong khi mở phích nối van English.

► **Hình10:** 1. Phích nối van English 2. Mâm cặp khí nén 3. Thân van

3. Bật dụng cụ.
4. Bơm lốp xe bằng cách kéo cần khởi động công tắc trong khi kiểm tra tình trạng của lốp xe.

CHÚ Ý: Khi sử dụng phích nối van English, máy đo áp suất sẽ không hiển thị giá trị chính xác do đặc điểm của van. Khi bơm lốp xe, không sử dụng giá trị trên máy đo áp suất, mà bơm lốp xe bằng cách kiểm tra tình trạng của lốp xe.

Nếu dụng cụ dừng lại trước khi lốp xe đạt tới áp suất không khí mong muốn, hãy điều chỉnh giá trị áp suất, sau đó bơm lốp xe lại.

Sử dụng phích nối van Schrader

1. Gắn mâm cặp khí nén vào thân van.
► **Hình11:** 1. Thân van 2. Mâm cặp khí nén

2. Bật dụng cụ, sau đó thiết đặt giá trị áp suất thích hợp cho lốp xe bằng cách sử dụng máy đo áp suất.

3. Kéo cần khởi động công tắc đến khi dụng cụ dừng lại. Lốp xe được bơm theo áp suất chỉ định.

SỬ DỤNG PHÍCH NỔ VAN PRESTA

1. Nới lỏng đai ốc khóa trên thân van.
▶ **Hình12:** 1. Đai ốc khóa
2. Gắn phích nối van Presta vào thân van, sau đó gắn mâm cặp khí nén vào phích nối van Presta.
▶ **Hình13:** 1. Phích nối van Presta 2. Thân van 3. Mâm cặp khí nén
3. Bật dụng cụ, sau đó thiết đặt giá trị áp suất thích hợp cho lốp xe bằng cách sử dụng máy đo áp suất.
4. Kéo cần khởi động công tắc đến khi dụng cụ dừng lại. Lốp xe được bơm theo áp suất chỉ định.
5. Tháo mâm cặp khí nén và phích nối van Presta, sau đó siết chặt đai ốc khóa.

SỬ DỤNG KIM BƠM BÓNG THỂ THAO

CHÚ Ý: Đảm bảo chọn chế độ bóng khi bạn bơm bóng bằng cách sử dụng kim bơm bóng thể thao. Nếu chọn chế độ khác, không thể thực hiện việc bơm đúng cách.

Để bơm các quả bóng thể thao, hãy sử dụng kim bơm bóng thể thao.

1. Gắn kim bơm bóng thể thao vào mâm cặp khí nén.
▶ **Hình14:** 1. Mâm cặp khí nén 2. Kim bơm bóng thể thao
2. Lắp kim bơm bóng thể thao vào lỗ trên bóng.
3. Bật dụng cụ.
4. Đặt chế độ bơm thành chế độ bóng, và đặt giá trị áp suất thích hợp cho bóng bằng cách sử dụng máy đo áp suất.
5. Kéo cần khởi động công tắc đến khi dụng cụ dừng lại. Bóng được bơm theo áp suất chỉ định.

SỬ DỤNG PHÍCH NỔ HÌNH NÓN

⚠ THẬN TRỌNG: Hãy cẩn thận tránh bơm phao nổi quá mức.

Để bơm các phao nổi, hãy sử dụng phích nối hình nón.

1. Gắn phích nối hình nón vào mâm cặp khí nén.
▶ **Hình15:** 1. Mâm cặp khí nén 2. Phích nối hình nón
2. Lắp phích nối hình nón vào lỗ trên phao nổi.
3. Bật dụng cụ.
4. Bơm phao nổi bằng cách kéo cần khởi động công tắc trong khi kiểm tra tình trạng của phao nổi.

CHÚ Ý: Khi bơm phao nổi, không tham khảo giá trị áp suất hiện tại trên máy đo áp suất. Máy đo áp suất không hiển thị giá trị áp suất hiện tại chính xác khi áp suất của phao nổi nhỏ hơn 35 kPa (5 PSI).

BẢO TRÌ

⚠ THẬN TRỌNG: Hãy luôn chắc chắn rằng dụng cụ đã được tắt và hộp pin đã được tháo ra trước khi cố gắng thực hiện việc kiểm tra hay bảo dưỡng.

CHÚ Ý: Không được phép dùng xăng, ét xăng, dung môi, cồn hoặc hóa chất tương tự. Có thể xảy ra hiện tượng mất màu, biến dạng hoặc nứt vỡ.

Để đảm bảo ĐỘ AN TOÀN và ĐỘ TIN CẬY của sản phẩm, việc sửa chữa hoặc bất cứ thao tác bảo trì, điều chỉnh nào đều phải được thực hiện bởi các Trung tâm Dịch vụ Nhà máy hoặc Trung tâm được Makita Ủy quyền và luôn sử dụng các phụ tùng thiết bị thay thế của Makita.

PHỤ KIỆN TỰY CHỌN

⚠ THẬN TRỌNG: Các phụ kiện hoặc phụ tùng gắn thêm này được khuyến cáo sử dụng với dụng cụ Makita của bạn theo như quy định trong hướng dẫn này. Việc sử dụng bất cứ phụ kiện hoặc phụ tùng gắn thêm nào khác đều có thể gây ra rủi ro thương tích cho người. Chỉ sử dụng phụ kiện hoặc phụ tùng gắn thêm cho mục đích đã quy định sẵn của chúng.

Nếu bạn cần bất kỳ sự hỗ trợ nào để biết thêm chi tiết về các phụ tùng này, hãy hỏi Trung tâm Dịch vụ của Makita tại địa phương của bạn.

- Pin và bộ sạc chính hãng của Makita

LƯU Ý: Một số mục trong danh sách có thể được bao gồm trong gói dụng cụ làm phụ kiện tiêu chuẩn. Các mục này ở mỗi quốc gia có thể khác nhau.

ข้อมูลจำเพาะ

รุ่น:		MP001G
ความยาวโดยรวม	รวม BL4025	320 mm
	รวม BL4040	329 mm
แรงดันอากาศสูงสุด		1,110 kPa
รอบการทำงาน		10 นาที เปิด / 5 นาที ปิด
แรงดันไฟฟ้าสูงสุด		D.C. 36 V - 40 V สูงสุด
น้ำหนักสุทธิ		2.9 - 3.5 kg

- เนื่องจากการค้นคว้าวิจัยและพัฒนาอย่างต่อเนื่อง ข้อมูลจำเพาะในเอกสารฉบับนี้อาจเปลี่ยนแปลงได้โดยไม่ต้องแจ้งให้ทราบล่วงหน้า
- ข้อมูลจำเพาะและตลับแบตเตอรี่อาจแตกต่างกันไปในแต่ละประเทศ
- น้ำหนักอาจแตกต่างกันไปตามอุปกรณ์เสริม รวมถึงตลับแบตเตอรี่ การติดอุปกรณ์เสริมที่เบาที่สุดและหนักที่สุดตามข้อบังคับของ EPTA 01/2014 มีแสดงอยู่ในตาราง

ตลับแบตเตอรี่และเครื่องชาร์จที่ใช้ได้

สำหรับประเทศอื่นๆ ที่ไม่ใช่ได้หวันและเกาหลี

ตลับแบตเตอรี่	BL4020 / BL4025 / BL4040 / BL4050F
เครื่องชาร์จ	DC40RA / DC40RB / DC40RC

- ตลับแบตเตอรี่และเครื่องชาร์จบางรายการที่แสดงอยู่ด้านบนอาจไม่มีวางจำหน่ายขึ้นอยู่กับภูมิภาคที่คุณอาศัยอยู่

คำเตือน: ใช้ตลับแบตเตอรี่และเครื่องชาร์จที่ระบุไว้ข้างบนเท่านั้น การใช้ตลับแบตเตอรี่และเครื่องชาร์จประเภทอื่นอาจก่อให้เกิดความเสี่ยงที่จะได้รับบาดเจ็บและ/หรือเกิดไฟไหม้

สำหรับไต้หวัน

ตลับแบตเตอรี่	BL4025 / BL4040
เครื่องชาร์จ	DC40RA

- ตลับแบตเตอรี่และเครื่องชาร์จบางรายการที่แสดงอยู่ด้านบนอาจไม่มีวางจำหน่ายขึ้นอยู่กับภูมิภาคที่คุณอาศัยอยู่

คำเตือน: ใช้ตลับแบตเตอรี่และเครื่องชาร์จที่ระบุไว้ข้างบนเท่านั้น การใช้ตลับแบตเตอรี่และเครื่องชาร์จประเภทอื่นอาจก่อให้เกิดความเสี่ยงที่จะได้รับบาดเจ็บและ/หรือเกิดไฟไหม้

สำหรับเกาหลี

ตลับแบตเตอรี่	BL4025 / BL4040
เครื่องชาร์จ	DC40RA

- ตลับแบตเตอรี่และเครื่องชาร์จบางรายการที่แสดงอยู่ด้านบนอาจไม่มีวางจำหน่ายขึ้นอยู่กับภูมิภาคที่คุณอาศัยอยู่

คำเตือน: ใช้ตลับแบตเตอรี่และเครื่องชาร์จที่ระบุไว้ข้างบนเท่านั้น การใช้ตลับแบตเตอรี่และเครื่องชาร์จประเภทอื่นอาจก่อให้เกิดความเสี่ยงที่จะได้รับบาดเจ็บและ/หรือเกิดไฟไหม้

สัญลักษณ์

ต่อไปนี้เป็นสัญลักษณ์ที่อาจใช้สำหรับอุปกรณ์ โปรดศึกษาความหมายของสัญลักษณ์ให้เข้าใจก่อนการใช้งาน



อ่านคู่มือการใช้งาน



ความเสี่ยงจากการระเบิด



Ni-MH
L-ion

สำหรับประเทศในสหภาพยุโรปเท่านั้น เนื่องจากในอุปกรณ์มีส่วนประกอบอันตราย ชะยะจำพวกอุปกรณ์ไฟฟ้า และอิเล็กทรอนิกส์ แบตเตอรี่ และหม้อแบตเตอรี่จึงอาจส่งผลต่อสิ่งแวดล้อมและสุขภาพของมนุษย์ในเชิงลบ อย่างไรก็ตามการใช้ไฟฟ้าและอิเล็กทรอนิกส์หรือแบตเตอรี่ร่วมกับวัสดุเหลือทิ้งในครัวเรือน!
เพื่อให้เป็นไปตามกฎระเบียบของยุโรปว่าด้วยชะยะจำพวกอุปกรณ์ไฟฟ้าและอิเล็กทรอนิกส์ และหม้อสะสมไฟฟ้าและแบตเตอรี่ และชะยะจำพวกหม้อสะสมไฟฟ้าและแบตเตอรี่ รวมถึงการบังคับใช้ตามกฎหมายภายในประเทศ ควรมีการจัดเก็บชะยะจำพวกอุปกรณ์ไฟฟ้า แบตเตอรี่ และหม้อสะสมไฟฟ้าแยกต่างหากและส่งไปยังจุดรับชะยะต่างหากในเขตเทศบาลซึ่งมีการดำเนินการตามระเบียบว่าด้วยการดูแลสิ่งแวดล้อม โดยระบุด้วยสัญลักษณ์เส้นคาดขวางรูปถังชะยะแบบมีล้อไว้บนอุปกรณ์

จุดประสงค์การใช้งาน

เครื่องมือนี้ใช้สำหรับสูบลมยาง ลูกบอล หรือห่วงยางขนาดเล็ก

คำเตือนด้านความปลอดภัย

คำเตือนด้านความปลอดภัยของเครื่องมือไฟฟ้าทั่วไป

คำเตือน: โปรดอ่านคำเตือนด้านความปลอดภัย คำแนะนำ ภาพประกอบ และข้อมูลจำเพาะต่างๆ ที่มากับเครื่องมือไฟฟ้านี้อย่างละเอียด การไม่ปฏิบัติตามคำแนะนำดังต่อไปนี้ อาจส่งผลให้เกิดไฟฟ้าช็อต ไฟไหม้ และ/หรือได้รับบาดเจ็บอย่างร้ายแรงได้

เก็บรักษา ค่าเตือน และคำแนะนำทั้งหมดไว้

เป็นข้อมูลอ้างอิงในอนาคต

คำว่า “เครื่องมือไฟฟ้า” ในคำเตือนนี้หมายถึงเครื่องมือไฟฟ้า (มีสาย) ที่ทำงานโดยใช้กระแสไฟฟ้าหรือเครื่องมือไฟฟ้า (ไร้สาย) ที่ทำงานโดยใช้แบตเตอรี่

ความปลอดภัยของพื้นที่ทำงาน

1. ดูแลพื้นที่ทำงานให้มีความสะอาดและมีแสงไฟสว่าง พื้นที่ที่กระเบื้องกระเบื้องหรือมิดที่บอบบางนำไปสู่การเกิดอุบัติเหตุได้
2. อย่าใช้งานเครื่องมือไฟฟ้าในสภาพที่อาจเกิดการระเบิด เช่น ในสถานที่ที่มีของเหลว ก๊าซ หรือฝุ่นผงที่มีคุณสมบัติไวไฟ เครื่องมือไฟฟ้าอาจสร้างประกายไฟและจุดชนวนฝุ่นผงหรือก๊าซดังกล่าว
3. **ดูแลไม่ให้มีเด็กๆ หรือบุคคลอื่นอยู่ในบริเวณที่กำลังใช้เครื่องมือไฟฟ้า** การมีสิ่งรบกวนสมาธิอาจทำให้คุณสูญเสียการควบคุม

ความปลอดภัยด้านไฟฟ้า

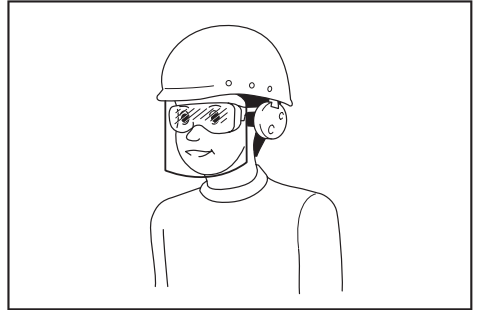
1. ปลั๊กของเครื่องมือไฟฟ้าต้องพอดีกับเต้ารับ อย่าดัดแปลงปลั๊กไม่ว่ากรณีใดๆ อย่าใช้ปลั๊กอะแดปเตอร์กับเครื่องมือไฟฟ้าที่ต่อสายดิน ปลั๊กที่ไม่ถูกดัดแปลงและเต้ารับที่เข้ากันพอดีจะช่วยลดความเสี่ยงของการเกิดไฟฟ้าช็อต
2. ระวังอย่าให้ร่างกายสัมผัสกับพื้นผิวที่ต่อสายดิน เช่น ท่อ เครื่องนำความร้อน เตาหุงต้ม และตู้เย็น มีความเสี่ยงที่จะเกิดไฟฟ้าช็อตสูงขึ้น หากร่างกายของคุณสัมผัสกับพื้น
3. อย่าให้เครื่องมือไฟฟ้าถูกน้ำหรืออยู่ในสภาพเปียกชื้น น้ำที่ไหลเข้าไปในเครื่องมือไฟฟ้าจะเพิ่มความเสี่ยงของการเกิดไฟฟ้าช็อต
4. อย่าใช้สายไฟอย่างไม่เหมาะสม อย่าใช้สายไฟเพื่อยก ดึง หรือถอดปลั๊กเครื่องมือไฟฟ้า เก็บสายไฟให้ห่างจากความร้อน น้ำมัน ของมีคม หรือชิ้นส่วนที่เคลื่อนที่ สายที่ชำรุดหรือพันกันจะเพิ่มความเสี่ยงของการเกิดไฟฟ้าช็อต
5. ขณะที่ใช้งานเครื่องมือไฟฟ้านอกอาคาร ควรใช้สายต่อพ่วงที่เหมาะสมกับงานภายนอกอาคาร การใช้สายที่เหมาะสมกับงานภายนอกอาคารจะลดความเสี่ยงของการเกิดไฟฟ้าช็อต
6. หากต้องใช้งานเครื่องมือไฟฟ้าในสถานที่เปียกชื้น ให้ใช้อุปกรณ์ป้องกันกระแสไฟรั่ว (RCD) การใช้ RCD จะลดความเสี่ยงของการเกิดไฟฟ้าช็อต

7. เครื่องมือไฟฟ้าอาจสร้างสนามแม่เหล็ก (EMF) ที่ไม่เป็นอันตรายต่อผู้ใช้ อย่างไรก็ตาม ผู้ใช้ที่ใส่เครื่องกระตุ้นหัวใจและอุปกรณ์ทางการแพทย์ที่คล้ายกันนี้ควรติดต่อผู้ผลิตอุปกรณ์และ/หรือแพทย์เพื่อรับคำแนะนำก่อนใช้งานเครื่องมือไฟฟ้านี้

ความปลอดภัยส่วนบุคคล

1. ให้ระมัดระวังและมีสติอยู่เสมอขณะใช้งานเครื่องมือไฟฟ้า อย่าใช้งานเครื่องมือไฟฟ้าในขณะที่คุณกำลังเหนื่อย หรือในสภาพที่มึนเมาจากยาเสพติด เครื่องดื่ม แอลกอฮอล์ หรือการเข้ายา ช่วงเวลาที่ขาดความระมัดระวังเมื่อกำลังใช้งานเครื่องมือไฟฟ้าอาจทำให้ได้รับบาดเจ็บร้ายแรง
2. ใช้อุปกรณ์ป้องกันส่วนบุคคล สวมแว่นตาป้องกันเสมอ อุปกรณ์ป้องกัน เช่น หน้ากากกันฝุ่น รองเท้านิรภัยกันลื่น หมวกนิรภัย หรือเครื่องป้องกันการได้ยินที่ใช้ในสภาพที่เหมาะสมจะช่วยลดการบาดเจ็บ
3. ป้องกันไม่ให้เกิดการเปิดใช้งานโดยไม่ตั้งใจ ตรวจสอบให้แน่ใจว่าสวิตช์ปิดอยู่ก่อนที่จะเชื่อมต่อกับแหล่งจ่ายไฟ และ/หรือชุดแบตเตอรี่ รวมทั้งตรวจสอบก่อนการยกหรือเคลื่อนย้ายเครื่องมือ การสอดนิ้วมือบริเวณสวิตช์เพื่อถือเครื่องมือไฟฟ้า หรือการชาร์จไฟเครื่องมือไฟฟ้าในขณะที่เปิดสวิตช์อยู่อาจนำไปสู่การเกิดอุบัติเหตุ
4. นำกฎฉบับปรับปรุงหรือประแจออกก่อนที่จะเปิดเครื่องมือไฟฟ้า ประแจหรือกฎฉบับที่เสียค้างอยู่ในชิ้นส่วนที่หมุนได้ของเครื่องมือไฟฟ้าอาจทำให้ได้รับบาดเจ็บ
5. อย่าทำงานในระยะที่สูดเอื้อม จัดท่าการยืนและการทรงตัวให้เหมาะสมตลอดเวลา เพราะจะทำให้ควบคุมเครื่องมือไฟฟ้าได้ดีขึ้นในสถานการณ์ที่ไม่คาดคิด
6. แต่งกายให้เหมาะสม อย่าสวมเครื่องแต่งกายที่หลวมเกินไป หรือสวมเครื่องประดับ ดูแลไม่ให้เส้นผมและเสื้อผ้าอยู่ใกล้ชิ้นส่วนที่เคลื่อนที่ เสื้อผ้า ร่ม ร่ม เครื่องประดับ หรือผมที่มีความยาวอาจเข้าไปติดในชิ้นส่วนที่เคลื่อนที่
7. หากมีการจัดอุปกรณ์สำหรับดูดและจัดเก็บฝุ่นไว้ในสถานที่ ให้ตรวจสอบว่าได้เชื่อมต่อและใช้งานอุปกรณ์นั้นอย่างเหมาะสม การใช้เครื่องดูดและจัดเก็บฝุ่นจะช่วยลดอันตรายที่เกิดจากฝุ่นผงได้
8. อย่าให้ความคุ้นเคยจากการใช้งานเครื่องมือเป็นประจำทำให้คุณทำตัวตามสบายและละเลยหลักการเพื่อความปลอดภัยในการใช้เครื่องมือ การกระทำที่ไม่ระมัดระวังอาจทำให้เกิดการบาดเจ็บร้ายแรงภายในเสี้ยววินาที

9. สวมใส่แว่นครอบตานิรภัยเพื่อปกป้องดวงตาของคุณจากการบาดเจ็บเมื่อใช้เครื่องมือไฟฟ้า แว่นครอบตาจะต้องได้มาตรฐาน ANSI Z87.1 ในสหรัฐอเมริกา, EN 166 ในยุโรป หรือ AS/NZS 1336 ในออสเตรเลีย/นิวซีแลนด์ ในออสเตรเลีย/นิวซีแลนด์ จะต้องสวมเกราะป้องกันใบหน้าเพื่อปกป้องใบหน้าของคุณอย่างถูกต้องตามกฎหมายด้วย



ผู้ว่าจ้างมีหน้าที่รับผิดชอบในการบังคับผู้ใช้งานเครื่องมือและบุคคลอื่น ๆ ที่อยู่ในบริเวณที่ปฏิบัติงานให้ใช้อุปกรณ์ป้องกันที่เหมาะสม

การใช้และดูแลเครื่องมือไฟฟ้า

1. อย่าฝืนใช้เครื่องมือไฟฟ้า ใช้เครื่องมือไฟฟ้าที่เหมาะสมกับการใช้งานของคุณ เครื่องมือไฟฟ้าที่เหมาะสมจะทำให้ได้งานที่มีประสิทธิภาพและปลอดภัยกว่าตามขีดความสามารถของเครื่องที่ได้รับการออกแบบมา
2. อย่าใช้เครื่องมือไฟฟ้า หากสวิตช์ไม่สามารถเปิดปิดได้ เครื่องมือไฟฟ้าที่ควบคุมด้วยสวิตช์ไม่ได้เป็นสิ่งอันตรายและต้องได้รับการซ่อมแซม
3. ถอดปลั๊กจากแหล่งจ่ายไฟ และ/หรือชุดแบตเตอรี่ออกจากเครื่องมือไฟฟ้าก่อนทำการปรับตั้ง เปลี่ยนอุปกรณ์เสริม หรือจัดเก็บเครื่องมือไฟฟ้า วิธีการป้องกันด้านความปลอดภัยดังกล่าวจะช่วยลดความเสี่ยงในการเปิดใช้งานเครื่องมือไฟฟ้าโดยไม่ตั้งใจ
4. จัดเก็บเครื่องมือไฟฟ้าที่ไม่ได้ใช้งานให้ห่างจากมือเด็ก และอย่าอนุญาตให้บุคคลที่ไม่คุ้นเคยกับเครื่องมือไฟฟ้าหรือคำแนะนำเหล่านี้ใช้งานเครื่องมือไฟฟ้า เครื่องมือไฟฟ้าจะเป็นอันตรายเมื่ออยู่ในมือของผู้ที่ไม่ได้รับการฝึกอบรม

- บำรุงรักษาเครื่องมือไฟฟ้าและอุปกรณ์เสริม ตรวจสอบการประกอบที่ไม่ถูกต้องหรือการเชื่อมต่อของชิ้นส่วนที่เคลื่อนที่ การแตกหักของชิ้นส่วน หรือสภาพอื่น ๆ ที่อาจส่งผลกระทบต่อการทำงานของเครื่องมือไฟฟ้า หากมีความเสียหาย ให้นำเครื่องมือไฟฟ้าไปซ่อมแซมก่อนการใช้งาน อุบัติเหตุจำนวนมากเกิดจากการดูแลรักษาเครื่องมือไฟฟ้าอย่างไม่ถูกต้อง
- ทำความสะอาดเครื่องมือตัดและลับให้คมอยู่เสมอ เครื่องมือการตัดที่มีการดูแลอย่างถูกต้องและมีขอบการตัดคมมักจะมีปัญหาติดขัดน้อยและควบคุมได้ง่ายกว่า
- ใช้เครื่องมือไฟฟ้า อุปกรณ์เสริม และวัสดุสิ้นเปลือง ฯลฯ ตามคำแนะนำดังกล่าว พิจารณาสภาพการทำงานและงานที่จะลงมือทำ การใช้เครื่องมือไฟฟ้าเพื่อทำงานอื่นนอกเหนือจากที่กำหนดไว้อาจทำให้เกิดอันตราย
- ดูแลมือจับและบริเวณมือจับให้แห้ง สะอาด และไม่มีน้ำมันและจาระบีเปื้อน มือจับและบริเวณมือจับที่ลื่นจะทำให้ไม่สามารถจับและควบคุมเครื่องมือได้อย่างปลอดภัยในสถานการณ์ที่ไม่คาดคิด
- ขณะใช้งานเครื่องมือ อย่าสวมใส่ถุงมือผ้าที่อาจเข้าไปติดในเครื่องมือได้ หากถุงมือผ้าเข้าไปติดในชิ้นส่วนที่กำลังเคลื่อนที่อยู่อาจทำให้ได้รับบาดเจ็บ

การใช้งานและดูแลเครื่องมือที่ใช้แบตเตอรี่

- ชาร์จไฟใหม่ด้วยเครื่องชาร์จที่ระบุโดยผู้ผลิตเท่านั้น เครื่องชาร์จที่เหมาะสมสำหรับชุดแบตเตอรี่ประเภทหนึ่ง อาจเสี่ยงที่จะเกิดไฟไหม้หากนำไปใช้กับชุดแบตเตอรี่อีกประเภทหนึ่ง
- ใช้เครื่องมือไฟฟ้ากับชุดแบตเตอรี่ที่กำหนดมาโดยเฉพาะเท่านั้น การใช้ชุดแบตเตอรี่ประเภทอื่นอาจทำให้เสี่ยงที่จะได้รับบาดเจ็บและเกิดไฟไหม้
- เมื่อไม่ใช้งานชุดแบตเตอรี่ ให้เก็บห่างจากวัตถุที่เป็นโลหะอื่นๆ เช่น คลิปหนีบกระดาษ เหรียญ กุญแจ กรรไกรตัดเล็บ สกรู หรือวัตถุที่เป็นโลหะขนาดเล็กอื่นๆ ที่สามารถเชื่อมต่อชั่วคราวกับอีกขั้วหนึ่งได้ การลัดวงจรขั้วแบตเตอรี่อาจทำให้อ่อนจัดหรือเกิดไฟไหม้
- ในกรณีที่ใช้งานไม่ถูกต้อง อาจมีของเหลวไหลออกจากแบตเตอรี่ ให้หลีกเลี่ยงการสัมผัส หากสัมผัส โดนของเหลวโดยไม่ตั้งใจ ให้ล้างออกด้วยน้ำ หากของเหลวกระเด็นเข้าตา ให้รีบไปพบแพทย์ ของเหลวที่ไหลออกจากแบตเตอรี่อาจทำให้ผิวหนังระคายเคืองหรือไหม้

- ห้ามใช้ชุดแบตเตอรี่หรือเครื่องมือที่ชาร์จหรือมีการแก้ไข แบตเตอรี่ที่เสียหายหรือมีการแก้ไขอาจทำให้เกิดสิ่งที่ไม่ดีได้ เช่น ไฟไหม้ ระเบิด หรือเสี่ยงต่อการบาดเจ็บ
- ห้ามให้ชุดแบตเตอรี่อยู่ใกล้ไฟ หรือบริเวณที่มีอุณหภูมิสูงเกิน หากโดนไฟ หรืออุณหภูมิสูงเกิน 130 °C อาจก่อให้เกิดการระเบิดได้
- กรุณาปฏิบัติตามคำแนะนำสำหรับชาร์จไฟ และห้ามชาร์จแบตเตอรี่หรือเครื่องมือในบริเวณที่มีอุณหภูมินอกเหนือไปจากที่ระบุในคำแนะนำ การชาร์จไฟที่ไม่เหมาะสม หรืออุณหภูมินอกเหนือไปจากช่วงอุณหภูมิที่ระบุในคำแนะนำอาจทำให้แบตเตอรี่เสียหายและเป็นการเพิ่มความเสี่ยงในการเกิดไฟไหม้

การซ่อมบำรุง

- นำเครื่องมือไฟฟ้าเข้ารับบริการจากช่างซ่อมที่ผ่านการรับรองโดยช่างมืออาชีพเท่านั้น เพราะจะทำให้การใช้เครื่องมือไฟฟ้ามีความปลอดภัย
- ห้ามใช้ชุดแบตเตอรี่ที่เสียหาย ชุดแบตเตอรี่ที่ใช้ควรเป็นชุดที่มาจากผู้ผลิต หรือผู้บริการที่ได้รับอนุญาตเท่านั้น
- ปฏิบัติตามคำแนะนำในการหล่อลื่นและการเปลี่ยนอุปกรณ์เสริม

คำเตือนด้านความปลอดภัยของเครื่องสูบลมไร้สาย

- เมื่อต้องการสูบลมวัตถุใดๆ ให้เชื่อมต่อหัวเติมลม อะแดปเตอร์ และหัวสูบลมให้แน่น ไม่เช่นนั้นวัตถุ ท่อ หัวเติมลม หรืออะแดปเตอร์อาจเสียหายและคุณอาจได้รับบาดเจ็บได้
- ค่อยๆ ปล่องแรงดันอากาศช้าๆ เมื่อต้องการนำท่อออกหลังจากการสูบลม ให้จับวัตถุ ท่อ และหัวเติมลมให้แน่น วัตถุ หัวเติมลม หรืออะแดปเตอร์อาจต้องออกเนื่องจากแรงดันอากาศตกและทำให้ได้รับบาดเจ็บได้
- อย่าสูบลมวัตถุเกินกว่าแรงดันสูงสุดของวัตถุ ไม่เช่นนั้นเครื่องมือหรือวัตถุอาจเสียหายและคุณอาจได้รับบาดเจ็บได้
- อย่าใช้เครื่องมือเกินกว่าแรงดันเอาท์พุทสูงสุดของเครื่องมือ การใช้เครื่องมือที่แรงดันเอาท์พุทเกินกว่าแรงดันเอาท์พุทสูงสุดของเครื่องมืออาจทำให้วัตถุหรือเครื่องมือระเบิดได้

5. สวมแวตูล์ที่ระบุให้สวมโดยผู้ผลิตเท่านั้น เช่น ยาง ลูกบอล หรือห่วงยางขนาดเล็ก การสวมแวตูล์นี้อาจ ทำให้แวตูล์นั้น เสียหายและส่งผลให้คุณได้รับบาดเจ็บได้
6. เมื่อต้องการสวมแวตูล์ โปรดตรวจสอบเกดแรงดัน สถานะเครื่องมือ และแวตูล์ แล้วตรวจสอบว่ามีลมรั่วหรือไม่ ไม่เช่นนั้นเครื่องมือหรือแวตูล์อาจเสียหายและส่งผลให้คุณได้รับบาดเจ็บได้
7. เมื่อเคลื่อนย้ายเครื่องมือ ให้ถือที่มือจับของเครื่องมืออย่างถนัดหรือตั้งท่อน เครื่องมืออาจเสียหายและส่งผลให้คุณได้รับบาดเจ็บได้
8. หลังจากสวมแวตูล์ ให้ตรวจสอบแรงดันอากาศโดยใช้ อุปกรณ์วัดที่ได้มาตรฐานและเชื่อถือได้ ใช้เกจแรงดันของเครื่องมือเป็นสิ่งอ้างอิงเท่านั้น
9. หลังจากใช้งานเครื่องมือต่อเนื่องเป็นเวลา 10 นาที ให้หยุดใช้งานเครื่องมือเป็นเวลา 5 เพื่อรอให้เครื่องเย็นลง อย่าใช้เครื่องมือต่อเนื่องนานกว่าเวลาการใช้งานที่ระบุ ไม่เช่นนั้นเครื่องมืออาจเสียหายและส่งผลให้คุณได้รับบาดเจ็บได้
10. อย่าใช้เครื่องมือบนทรายหรือบนพื้นผิวที่เต็มไปด้วยฝุ่น วัตถุแปลกปลอมอาจเข้าไปด้านในเครื่องมือและส่งผลให้เครื่องมือทำงานผิดปกติได้
11. อย่าใช้ช่องปล่อยลมของท่อไปที่ตัวคุณเองหรือผู้อื่น วัตถุอาจกระเด็นออกและส่งผลให้ได้รับบาดเจ็บได้
12. อย่าใช้ช่องปล่อยลมของท่อไปที่ผู้อื่นหรือที่คล้ายกันนี้ ฝุ่นอาจฟุ้งกระจายและส่งผลให้ได้รับบาดเจ็บได้
13. อย่าสวมแวตูล์ที่มีขนาดใหญ่ หากสวมแวตูล์ที่มีขนาดใหญ่ เครื่องมืออาจร้อนเกินไปและไหม้ผิวหนังของคุณได้
14. อย่าสัมผัสเครื่องมือ ท่อ หัวเติมลม หรืออะแดปเตอร์ทันทีหลังการสวมลม ส่วนที่เป็นโลหะอาจร้อนจัดและไหม้ผิวหนังของคุณได้
15. อย่าใช้เครื่องมือในขณะที่มือเปียก
16. ตรวจสอบให้แน่ใจว่าท่อไม่พันกัน ท่อที่พันกันอาจทำให้เสียสมดุลและส่งผลให้คุณได้รับบาดเจ็บได้
17. ห้ามปล่อยเครื่องมือทิ้งไว้โดยไม่มีผู้ดูแลในขณะที่เชื่อมต่อท่อไว้กับแวตูล์ที่สวมหรือในระหว่างการใช้งาน
18. อย่าใช้เครื่องมือเป็นอุปกรณ์ช่วยหายใจ
19. อย่าใช้เครื่องมือเพื่อพ่นสารเคมี ปอดของคุณอาจได้รับความเสียหายจากการสูดพิษเข้าไป
20. ใช้งานเครื่องมือในพื้นที่เปิด โดยให้ห่างจากผนังหรือวัตถุอื่นๆ ที่อาจกีดขวางการไหลของอากาศออกไปยังช่องเปิดระบายอากาศอย่างน้อย 50 cm

21. อย่าถอดแยกชิ้นส่วนเครื่องมือ
22. ใช้เฉพาะอุปกรณ์เสริมมาตรฐานที่กำหนดโดย Makita การใช้อุปกรณ์เสริมหรืออุปกรณ์ต่อพ่วงอื่นๆ อาจทำให้เสี่ยงต่อการได้รับบาดเจ็บได้
23. ก่อนที่คุณจะสวมลมยาง ตรวจสอบให้แน่ใจว่ายางไม่มีรอยขีดข่วนหรือรอยแตก ยางที่เสียหายอาจระเบิดได้ เมื่อสวมลมเข้าไปและทำให้เกิดการบาดเจ็บ
24. ระหว่างที่คุณสวมลมยาง อย่าอยู่ด้านหน้าแก้มข้างของยาง

คำแนะนำเพื่อความปลอดภัยที่สำคัญสำหรับดัลบีแบตเตอร์

1. ก่อนใช้งานดัลบีแบตเตอร์ ให้อ่านคำแนะนำและเครื่องหมายเตือนทั้งหมดบน (1) เครื่องชาร์จแบตเตอรี่ (2) แบตเตอรี่ และ (3) ตัวผลิตภัณฑ์ที่ใช้แบตเตอรี่
2. อย่าถอดแยกชิ้นส่วนหรือทำการดัดแปลงดัลบีแบตเตอร์ เนื่องจากอาจทำให้เกิดไฟไหม้ ความร้อนที่สูงเกินไป หรือระเบิดได้
3. หากระยะเวลาที่เครื่องทำงานสั้นเกินไป ให้หยุดใช้งานทันที เนื่องจากอาจมีความเสี่ยงที่จะร้อนจัด ไหม้หรือระเบิดได้
4. หากสารละลายอิเล็กโทรไลต์กระเด็นเข้าตา ให้ล้างออกด้วยน้ำเปล่าและรีบไปพบแพทย์ทันที เนื่องจากอาจทำให้ตาบอด
5. ห้ามลัดวงจรดัลบีแบตเตอร์:
 - (1) ห้ามแตะขั้วกับวัตถุที่เป็นสื่อไฟฟ้าใดๆ
 - (2) หลีกเลี่ยงการเก็บดัลบีแบตเตอร์ไว้ในภาชนะร่วมกับวัตถุที่เป็นโลหะ เช่น กรรไกรตัดเล็บ เหรียญ ฯลฯ
 - (3) อย่าให้ดัลบีแบตเตอร์ถูกน้ำหรือฝน แบตเตอรี่ลัดวงจรอาจทำให้เกิดการไหลของกระแสไฟฟ้า ร้อนจัด ไหม้หรือเสียหายได้
6. ห้ามเก็บและใช้เครื่องมือและดัลบีแบตเตอร์ไว้ในสถานที่ที่อุณหภูมิสูงถึงหรือเกิน 50 °C (122 °F)
7. ห้ามเผาตลับแบตเตอรี่ทิ้ง แม้ว่าแบตเตอรี่จะเสียหายจนใช้การไม่ได้หรือเสื่อมสภาพแล้ว ดัลบีแบตเตอร์อาจระเบิดในกองไฟ
8. อย่าตอกตะปู ตัด บด ข้าง หรือทำดัลบีแบตเตอร์หล่นพื้น หรือกระแทกตลับแบตเตอรี่กับวัตถุของแข็ง การกระทำดังกล่าวอาจส่งผลให้เกิดไฟไหม้ ความร้อนที่สูงเกินไป หรือระเบิดได้
9. ห้ามใช้แบตเตอรี่ที่เสียหาย

- แบตเตอรี่ที่เติมไอออนที่มีมาให้เห็นเป็นไปตามข้อกำหนดของ Dangerous Goods Legislation สำหรับการขนส่งเพื่อการพาณิชย์ เช่น โดยบุคคลที่สาม ตัวแทนขนส่งสินค้า จะต้องตรวจสอบข้อกำหนดพิเศษในด้านความปลอดภัยหรือการติดป้ายสินค้าในการเตรียมสินค้าที่จะขนส่ง ให้ปรึกษาผู้เชี่ยวชาญด้านวัตถุอันตราย โปรดตรวจสอบข้อกำหนดในประเทศที่อาจมีรายละเอียดอื่นๆ เพิ่มเติม ให้ติดเทปหรือปิดหน้าสัมผัสและห่อแบตเตอรี่ในลักษณะที่แบตเตอรี่จะไม่เคลื่อนที่ไปมาในหีบห่อ
- เมื่อกำจัดดัลบแบตเตอรี่ ให้ถอดดัลบแบตเตอรี่ออกจากเครื่องมือและกำจัดในสถานที่ที่ปลอดภัย ปฏิบัติตามข้อบังคับในท้องถิ่นที่เกี่ยวข้องกับการกำจัดแบตเตอรี่
- ใช้แบตเตอรี่กับผลิตภัณฑ์ที่ระบุโดย Makita เท่านั้น การติดตั้งแบตเตอรี่ในผลิตภัณฑ์ที่ไม่ใช่ตามที่ระบุอาจทำให้เกิดไฟไหม้ ความร้อนสูง ระเบิด หรืออิเล็กทรอนิกส์รั่วไหลได้
- หากไม่ใช้เครื่องมือเป็นระยะเวลานาน จะต้องถอดแบตเตอรี่ออกจากเครื่องมือ
- ในระหว่างและหลังการใช้งาน ดัลบแบตเตอรี่อาจร้อนซึ่งอาจลวกผิวหรือทำให้ผิวหนังไหม้ที่อุณหภูมิต่ำได้ โปรดระมัดระวังในการจัดการกับแบตเตอรี่ที่ร้อน
- อย่าสัมผัสขั้วของเครื่องมือทันทีหลังจากการใช้งาน เนื่องจากอาจมีความร้อนพอที่จะทำให้ผิวหนังไหม้ได้
- อย่าปล่อยให้เศษวัสดุ ผุ่นผง หรือดินเข้าไปติดอยู่ในขั้ว รู และร่องของดัลบแบตเตอรี่ เนื่องจากอาจทำให้เครื่องมือหรือดัลบแบตเตอรี่มีประสิทธิภาพลดลงหรือเสียหายได้
- หากเครื่องมือไม่รองรับสายไฟแรงดันสูง อย่าใช้ดัลบแบตเตอรี่ใกล้กับสายไฟแรงดันสูง เนื่องจากเครื่องมือหรือดัลบแบตเตอรี่อาจทำงานผิดปกติหรือเสียหายได้
- เก็บแบตเตอรี่ให้ห่างจากเด็ก

ปฏิบัติตามคำแนะนำเหล่านี้

⚠ ข้อควรระวัง: ใช้แบตเตอรี่ของแท้จาก Makita เท่านั้น การใช้แบตเตอรี่ Makita ที่ไม่แท้ หรือแบตเตอรี่ที่ถูกเปลี่ยน อาจทำให้แบตเตอรี่ระเบิด ก่อให้เกิดเพลิงลุกไหม้ การบาดเจ็บ และความเสียหายได้ และจะทำให้การรับประกันของ Makita สำหรับเครื่องมือและแท่นชาร์จของ Makita เป็นโมฆะด้วย

เคล็ดลับในการรักษาอายุการใช้งานของ

แบตเตอรี่ให้ยาวนานที่สุด

- ชาร์จดัลบแบตเตอรี่ก่อนที่ไฟจะหมด หยุดการใช้งานแล้วชาร์จประจุไฟฟ้าใหม่ทุกครั้งเมื่อคุณรู้สึกว่าคุณปรารถนามีกำลังลดลง
- อย่าชาร์จดัลบแบตเตอรี่ที่มีไฟเต็มแล้ว การชาร์จประจุไฟฟ้ามากเกินไปอาจจะทำให้อายุการใช้งานของดัลบแบตเตอรี่สั้นลง
- ชาร์จประจุไฟฟ้าดัลบแบตเตอรี่ในห้องที่มีอุณหภูมิระหว่าง 10 °C - 40 °C ปล่อยให้ดัลบแบตเตอรี่เย็นลงก่อนที่จะชาร์จไฟ
- เมื่อไม่ใช้ดัลบแบตเตอรี่ ให้ถอดออกจากเครื่องมือหรือเครื่องชาร์จ
- ชาร์จไฟดัลบแบตเตอรี่หากคุณไม่ต้องการใช้เป็นเวลานาน (เกินกว่าหกเดือน)

คำอธิบายการทำงาน

⚠ ข้อควรระวัง: ตรวจสอบให้แน่ใจว่าได้ปิดสวิตช์เครื่องมือและถอดดัลบแบตเตอรี่ออกก่อนปรับตั้งหรือตรวจสอบการทำงานของเครื่องมือ

การใส่หรือการถอดดัลบแบตเตอรี่

⚠ ข้อควรระวัง: ปิดสวิตช์เครื่องมือก่อนทำการติดตั้งหรือการถอดดัลบแบตเตอรี่ทุกครั้ง

⚠ ข้อควรระวัง: ถอดเครื่องมือและดัลบแบตเตอรี่ให้แน่นในระหว่างการติดตั้งหรือการถอดดัลบแบตเตอรี่ หากไม่ถอดเครื่องมือและดัลบแบตเตอรี่ให้แน่น อาจทำให้ดัลบแบตเตอรี่และเครื่องมือลื่นหลุดมือ และทำให้เครื่องมือและดัลบแบตเตอรี่เสียหายหรือได้รับบาดเจ็บได้

▶ หมายเลข 1: 1. ซีลสีแดง 2. ปุ่ม 3. ดัลบแบตเตอรี่

เมื่อต้องการถอดดัลบแบตเตอรี่ ให้เลื่อนปุ่มที่ด้านหน้าของดัลบแล้วดึงออกจากเครื่องมือ

การติดตั้งดัลบแบตเตอรี่ ให้จัดตำแหน่งลิ้นของดัลบแบตเตอรี่ให้ตรงกับร่องของเครื่อง แล้วเลื่อนเข้าที่ ใส่ดัลบแบตเตอรี่เข้าจนสุดจนกระทั่งได้ยินเสียงคลิกล็อกเข้าที่ หากยังเห็นซีลสีแดงตามที่แสดงในภาพ แสดงว่าดัลบแบตเตอรี่ยังไม่ล็อกเข้าที่










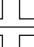

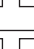





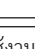
⚠ ข้อควรระวัง: ให้ดันตลับแบตเตอรี่เข้าจนสุดจนไม่เห็นซีลสีแดงอีก ไม่เช่นนั้น ตลับแบตเตอรี่อาจหลุดออกจากเครื่องมือทำให้คุณหรือคนรอบข้างได้รับบาดเจ็บ

⚠ ข้อควรระวัง: อย่าฝืนติดตั้งตลับแบตเตอรี่โดยใช้แรงมากเกินไป หากตลับแบตเตอรี่ไม่เลื่อนเข้าไปโดยง่าย แสดงว่าใส่ไม่ถูกต้อง

การระบุระดับพลังงานแบตเตอรี่ที่เหลืออยู่

กดปุ่ม ตรวจสอบ บนตลับแบตเตอรี่เพื่อดูปริมาณแบตเตอรี่ที่เหลือ ไฟแสดงสถานะจะสว่างขึ้นเป็นเวลาสองสามวินาที

► **หมายเลข 2:** 1. ไฟแสดงสถานะ 2. ปุ่มตรวจสอบ

ไฟแสดงสถานะ			แบตเตอรี่ที่เหลือ
			
			75% ถึง 100%
			50% ถึง 75%
			25% ถึง 50%
			0% ถึง 25%
			ชาร์จไฟแบตเตอรี่
			แบตเตอรี่อาจจะเสีย
			

หมายเหตุ: ขึ้นอยู่กับสภาพการใช้งานและอุณหภูมิ โดยรอบ การแสดงสถานะอาจจะแตกต่างจากปริมาณแบตเตอรี่จริงเล็กน้อย

หมายเหตุ: ไฟแสดงสถานะดวงแรก (ซ้ายสุด) จะกะพริบเมื่อระบบป้องกันแบตเตอรี่ทำงาน

ระบบป้องกันเครื่องมือ/แบตเตอรี่

เครื่องมือนี้จะมีระบบป้องกันเครื่องมือ/แบตเตอรี่ ระบบนี้จะตัดไฟโดยอัตโนมัติเพื่อหยุดการใช้งานของเครื่องมือและแบตเตอรี่ เครื่องมือจะหยุดทำงานระหว่างการใช้งานโดยอัตโนมัติ หากเครื่องมือหรือแบตเตอรี่อยู่ภายใต้สถานการณ์ต่อไปนี้

การป้องกันโอเวอร์โหลด

การป้องกันนี้จะทำงานเมื่อเครื่องมือ/แบตเตอรี่ทำงานในลักษณะที่ทำให้เกิดกระแสไฟฟ้าสูงผิดปกติ ในสถานการณ์เช่นนี้ ให้ปิดเครื่องมือและหยุดการใช้งานที่ทำให้เครื่องมือทำงานหนักเกินไป จากนั้นเปิดเครื่องมือเพื่อเริ่มการทำงานอีกครั้ง

การป้องกันความร้อนสูงเกิน

การป้องกันนี้จะทำงานเมื่อเครื่องมือ/แบตเตอรี่ร้อนเกินไป ไฟจะกะพริบและไอคอนเตือนความร้อนสูงเกินจะแสดงขึ้นมาบนเกจแรงดัน ในสถานการณ์เช่นนี้ ให้ปิดเครื่องมือและปล่อยให้เครื่องมือและแบตเตอรี่เย็นลง จากนั้นเปิดเครื่องมืออีกครั้ง

การป้องกันไฟหมด

การป้องกันนี้จะทำงานเมื่อความจุแบตเตอรี่เหลือน้อย ในสถานการณ์เช่นนี้ ให้ถอดแบตเตอรี่ออกจากเครื่องมือและนำแบตเตอรี่ไปชาร์จไฟ

สวิตช์ไฟหลัก

⚠ คำเตือน: ปิดสวิตช์ไฟหลักเสมอเมื่อไม่ได้ใช้งาน

⚠ ข้อควรระวัง: เมื่อเคลื่อนย้ายเครื่องมือ ให้ปิดสวิตช์ไฟหลัก ไม่เช่นนั้นการกดสวิตช์สั่งงานโดยไม่ได้ตั้งใจอาจส่งผลให้ได้รับบาดเจ็บได้

► **หมายเลข 3:** 1. สวิตช์ไฟหลัก

การเปิดเครื่องมือให้กดสวิตช์ไฟหลัก และเมื่อต้องการปิดเครื่องมือ ให้กดสวิตช์ไฟหลักอีกครั้ง

หมายเหตุ: เครื่องมือนี้มีฟังก์ชันการปิดแบบอัตโนมัติเพื่อหลีกเลี่ยงการเริ่มใช้งานเครื่องมือโดยไม่ได้ตั้งใจ สวิตช์ไฟหลักจะปิดโดยอัตโนมัติเมื่อไม่มีการกดสวิตช์สั่งงานภายในระยะเวลาหนึ่งหลังจากเปิดสวิตช์ไฟหลักแล้ว

การทำงานของสวิตช์

⚠ คำเตือน: ก่อนใส่ตลับแบตเตอรี่ลงในเครื่องมือ ให้ตรวจสอบว่าสวิตช์สั่งงานสามารถทำงานได้อย่างถูกต้องและกลับไปยังตำแหน่ง “ปิด” เมื่อปล่อย

⚠ คำเตือน: อย่าติดเทปหรือสิ่งของในลักษณะเดียวกัน เพื่อให้สวิตช์สั่งงานค้างอยู่ในตำแหน่ง “ON” (เปิด)

เมื่อต้องการเปิดใช้เครื่องมือ ให้ดึงสวิตช์สั่งงาน ปล่อยสวิตช์สั่งงานเพื่อหยุดการทำงาน

► **หมายเลข 4:** 1. สวิตช์สั่งงาน

เกจแรงดัน

► หมายเลข 5

1	ไอคอนเตือนความร้อนสูงเกิน
2	โหมดสูบลม
3	ปุ่ม [-]
4	ปุ่ม [M]
5	ปุ่ม [+]
6	ไฟแสดงความคืบหน้าในการสูบลม
7	ค่าแรงดันปัจจุบัน
8	ค่าแรงดันเป้าหมาย
9	หน่วยค่าแรงดัน

หากวัตถุที่จะสูบลมเชื่อมต่อกับเครื่องมือ ค่าแรงดันปัจจุบันของวัตถุจะแสดงบนเกจแรงดันเมื่อคุณเปิดเครื่องมือ หากไม่มีวัตถุใดเชื่อมต่อกับเครื่องมือ เกจแรงดันจะแสดงเป็น "0"

เกจแรงดันจะแสดงค่าแรงดันเป้าหมาย หน่วยค่าแรงดันและโหมดสูบลมด้วย ค่าเหล่านี้จะเหมือนกับค่าที่ใช้งานครั้งล่าสุด

เมื่อคุณเริ่มสูบลม ไฟแสดงความคืบหน้าในการสูบลมจะแสดงขึ้นมา การสูบลมจะเสร็จสิ้นเมื่อไฟแสดงความคืบหน้าในการสูบลมไปถึงด้านขวาสุด




การตั้งค่าแรงดันเป้าหมาย

กดปุ่ม [M] และเลือกหน่วยค่าแรงดัน หน่วยค่าแรงดันจะเปลี่ยนไปในแต่ละครั้งที่คุณกดปุ่ม [M] คุณสามารถเลือกหน่วยใดหน่วยหนึ่งจากสามหน่วยนี้ ได้แก่: PSI, BAR หรือ KPA

การเพิ่มค่าแรงดันเป้าหมายให้กับปุ่ม [+] การลดค่าแรงดันเป้าหมายให้กับปุ่ม [-] คุณสามารถตั้งค่าแรงดันเป้าหมายระหว่าง 35 kPa (5 PSI) และ 1,110 kPa (161 PSI)

การตั้งค่าโหมดสูบลม

กดปุ่ม [M] เป็นเวลา 3 วินาที โหมดสูบลมจะเปลี่ยนไปในแต่ละครั้งที่คุณกดปุ่ม [M] ตั้งไว้ คุณสามารถเลือกโหมดใดโหมดหนึ่งจากสามโหมดดังต่อไปนี้

โหมด	จอแสดงผล	จุดประสงค์	ช่วงแรงดันที่ปรับได้
ลูกบอล		การสูบลมลูกบอล	35 ถึง 110 kPa (5 ถึง 16 PSI)
ความเร็วต่ำ		การสูบลมสิ่งต่างๆ ด้วยความเร็วต่ำ	35 ถึง 1,110 kPa (5 ถึง 161 PSI)
ความเร็วสูง		การสูบลมสิ่งต่างๆ ด้วยความเร็วสูง	161 PSI

หมายเหตุ: ตรวจสอบให้แน่ใจว่าได้เลือกโหมดลูกบอลเมื่อคุณสูบลมโดยใช้เข็มสูบลมลูกบอล หากเลือกโหมดอื่น จะไม่สามารถทำการสูบลมได้อย่างถูกต้อง

หมายเหตุ: ตรวจสอบให้แน่ใจว่าได้เลือกโหมดความเร็วต่ำเมื่อคุณสูบลมโดยใช้อะแดปเตอร์หัวสูบลมใส่ไก่ หากเลือกโหมดอื่น จะไม่สามารถทำการสูบลมได้อย่างถูกต้อง

การเปิดดวงไฟด้านหน้า

เมื่อคุณเปิดเครื่องมือโดยการกดสวิตช์ไฟหลัก ดวงไฟจะสว่างขึ้น เมื่อคุณเปิดเครื่องมือโดยการกดสวิตช์ไฟหลัก ดวงไฟจะดับลง

► หมายเลข 6: 1. ดวงไฟ 2. สวิตช์ไฟหลัก

⚠ ข้อควรระวัง: อย่ามองเข้าไปในดวงไฟหรือจ้องดูแหล่งกำเนิดแสงโดยตรง

ข้อสังเกต: เมื่อเครื่องมือร้อนเกินไป ไฟจะกะพริบ ปิดเครื่องมือและปล่อยให้เครื่องมือเย็นก่อนใช้งานเครื่องมืออีกครั้ง

หมายเหตุ: ใช้ผ้าแห้งเพื่อเช็ดสิ่งสกปรกออกจากเลนส์ของดวงไฟ ระมัดระวังอย่าขีดข่วนเลนส์ของดวงไฟ ไม่เช่นนั้น อาจทำให้ส่องสว่างได้น้อยลง

การเก็บอะแดปเตอร์

สามารถเก็บอะแดปเตอร์ไว้ในที่เก็บอะแดปเตอร์ของเครื่องมือได้ สอดเข็มสุบลมลูกบอลเข้าไปในอะแดปเตอร์หัวสุบลูกเล็กก่อนใส่เข้ากับที่เก็บอะแดปเตอร์

- **หมายเลข 7:** 1. เข็มสุบลมลูกบอล 2. อะแดปเตอร์หัวสุบลูกเล็ก 3. ที่เก็บอะแดปเตอร์ 4. อะแดปเตอร์จุกหัวสูบลม

การเก็บท่อ

สามารถยึดท่อไว้กับที่ยึดท่อของเครื่องมือได้

- **หมายเลข 8:** 1. ที่ยึดท่อ 2. ท่อ

ปั๊มปล่อยลม

ข้อสังเกต: ขณะที่อะแดปเตอร์หัวสุบลูกเล็กติดอยู่กับเครื่องมือ ลมจะไม่ออกมาแม้ว่าคุณจะกดปั๊มปล่อยลม

เมื่อวัตถุมีลมมากเกินไป ให้กดปั๊มปล่อยลมเพื่อปล่อยลม

- **หมายเลข 9:** 1. ปั๊มปล่อยลม

การใช้งาน

หมายเหตุ: อะแดปเตอร์มาตรฐานจะแตกต่างกันไปตามแต่ละประเทศ

การใช้อะแดปเตอร์หัวสุบลูกเล็ก

ข้อสังเกต: ตรวจสอบให้แน่ใจว่าได้เลือกโหมดความเร็วต่ำเมื่อคุณสูบลมโดยใช้อะแดปเตอร์หัวสุบลูกเล็ก หากเลือกโหมดอื่น จะไม่สามารถทำการสูบลมได้อย่างถูกต้อง

1. สอดอะแดปเตอร์หัวสุบลูกเล็กเข้าไปในหัวเติมลม
2. ติดตั้งอะแดปเตอร์หัวสุบลูกเล็กเข้ากับก้านหัวสูบลมในขณะที่เปิดอะแดปเตอร์หัวสุบลูกเล็ก
- **หมายเลข 10:** 1. อะแดปเตอร์หัวสุบลูกเล็ก 2. หัวเติมลม 3. ก้านหัวสูบลม
3. เปิดเครื่องมือ
4. สูบลมยางโดยกดสวิทช์สั่งงานในขณะที่ตรวจสอบสภาพของยางไปพร้อมกัน

ข้อสังเกต: เมื่อใช้อะแดปเตอร์หัวสุบลูกเล็ก เกจแรงดันจะไม่แสดงค่าที่ถูกต้องเนื่องจากลักษณะของหัวสูบลม เมื่อสูบลมยาง อย่าใช้ค่าบนเกจแรงดัน แต่ให้สูบลมโดยตรวจสอบจากสภาพของยาง

หากเครื่องมือหยุดทำงานก่อนยางได้ระดับแรงดันอากาศที่ต้องการ ให้ปรับค่าแรงดัน จากนั้นให้สูบลมอีกครั้ง

การใช้อะแดปเตอร์หัวสุบลูกใหญ่

1. ติดตั้งหัวเติมลมเข้ากับก้านหัวสูบลม
- **หมายเลข 11:** 1. ก้านหัวสูบลม 2. หัวเติมลม
2. เปิดเครื่องมือ จากนั้นตั้งค่าแรงดันที่เหมาะสมสำหรับยางโดยใช้เกจแรงดัน
3. กดสวิทช์สั่งงานค้างไว้จนกระทั่งเครื่องมือหยุดทำงาน ยางจะถูกสูบลมตามแรงดันที่ระบุ

การใช้อะแดปเตอร์หัวสุบลูกเล็ก

1. คลายหนีตล๊อคบนก้านหัวสูบลม
- **หมายเลข 12:** 1. หนีตล๊อค
2. ต่ออะแดปเตอร์หัวสุบลูกเล็กเข้ากับก้านหัวสูบลม จากนั้นต่อหัวเติมลมเข้ากับอะแดปเตอร์หัวสุบลูกเล็ก
- **หมายเลข 13:** 1. อะแดปเตอร์หัวสุบลูกเล็ก 2. ก้านหัวสูบลม 3. หัวเติมลม
3. เปิดเครื่องมือ จากนั้นตั้งค่าแรงดันที่เหมาะสมสำหรับยางโดยใช้เกจแรงดัน
4. กดสวิทช์สั่งงานค้างไว้จนกระทั่งเครื่องมือหยุดทำงาน ยางจะถูกสูบลมตามแรงดันที่ระบุ
5. ถอดหัวเติมลมและอะแดปเตอร์หัวสุบลูกเล็กออก จากนั้นขันหนีตล๊อคให้แน่น

การใช้เข็มสุบลมลูกบอล

ข้อสังเกต: ตรวจสอบให้แน่ใจว่าได้เลือกโหมดลูกบอลเมื่อคุณสูบลมโดยใช้เข็มสุบลมลูกบอล หากเลือกโหมดอื่น จะไม่สามารถทำการสูบลมได้อย่างถูกต้อง

การสูบลมลูกบอลให้ใช้เข็มสุบลมลูกบอล

1. ต่อเข็มสุบลมลูกบอลเข้ากับหัวเติมลม
- **หมายเลข 14:** 1. หัวเติมลม 2. เข็มสุบลมลูกบอล
2. สอดเข็มสุบลมลูกบอลเข้าไปในรูบนลูกบอล
3. เปิดเครื่องมือ
4. ตั้งค่าโหมดสุบลมเป็นโหมดลูกบอล และตั้งค่าแรงดันให้เหมาะสมสำหรับลูกบอลโดยใช้เกจแรงดัน

5. กดสวิตช์สั่งงานค้างไว้จนกระทั่งเครื่องมือหยุดทำงาน ลูกบอลจะถูกดูดกลับตามแรงดันที่ระบุ

การใช้อะแดปเตอร์จุทดสอบ

⚠ ข้อควรระวัง: ระวังอย่าสูบลมห้วงยางมากเกินไป

การสูบลมห้วงยางให้ใช้อะแดปเตอร์จุทดสอบ

1. ต่ออะแดปเตอร์จุทดสอบเข้ากับหัวเติมลม
 - ▶ **หมายเลข 15:** 1. หัวเติมลม 2. อะแดปเตอร์จุทดสอบ
2. สอดอะแดปเตอร์จุทดสอบเข้าไปในรูของห้วงยาง
3. เปิดเครื่องมือ
4. สูบลมห้วงยางโดยกดสวิตช์สั่งงานในขณะที่ตรวจสอบสภาพของห้วงยางไปพร้อมกัน

ข้อสังเกต: เมื่อสูบลมห้วงยาง อย่าอ้างอิงค่าแรงดันปัจจุบันบนเกจแรงดัน เกจแรงดันไม่ได้แสดงค่าแรงดันปัจจุบันที่ถูกต้องเมื่อแรงดันของห้วงยางน้อยกว่า 35 kPa (5 PSI)

การบำรุงรักษา

⚠ ข้อควรระวัง: ตรวจสอบให้แน่ใจว่าได้ปิดสวิตช์เครื่องมือและถอดปลั๊กแบตเตอรี่ออกก่อนทำการตรวจสอบหรือบำรุงรักษา

ข้อสังเกต: อย่าใช้น้ำมันเชื้อเพลิง เบนซิน ทินเนอร์ แอลกอฮอล์ หรือวัสดุประเภทเดียวกัน เนื่องจากอาจทำให้สีซีดจาง เสียรูป หรือแตกร้าวได้

เพื่อความปลอดภัยและนำเชื้อถือของผลิตภัณฑ์ ควรให้ศูนย์บริการหรือโรงงานที่ผ่านการรับรองจาก Makita เป็นผู้ดำเนินการซ่อมแซม บำรุงรักษาและทำการปรับตั้งอื่นๆ นอกจากนี้ให้ใช้อะไหล่ของแท้จาก Makita เสมอ

อุปกรณ์เสริม

⚠ ข้อควรระวัง: ขอแนะนำให้ใช้เฉพาะอุปกรณ์เสริมหรืออุปกรณ์ต่อพ่วงเหล่านี้กับเครื่องมือ Makita ที่ระบุในคู่มือการใช้อุปกรณ์เสริมหรืออุปกรณ์ต่อพ่วงอื่นๆ อาจมีความเสี่ยงที่จะได้รับบาดเจ็บ ใช้อุปกรณ์เสริมหรืออุปกรณ์ต่อพ่วงตามวัตถุประสงค์ที่ระบุไว้เท่านั้น

หากต้องการทราบรายละเอียดเพิ่มเติมเกี่ยวกับอุปกรณ์เสริมเหล่านี้ โปรดสอบถามศูนย์บริการ Makita ใกล้บ้านคุณ

- แบตเตอรี่และเครื่องชาร์จ Makita ของแท้

หมายเหตุ: อุปกรณ์บางรายการอาจจะรวมอยู่ในชุดเครื่องมือเป็นอุปกรณ์มาตรฐาน ซึ่งอาจแตกต่างกันไปในแต่ละประเทศ

规格

型号:	MP001G	
总长度	配置BL4025	320 mm
	配置BL4040	329 mm
最大气压	1,110 kPa	
工作循环	10分钟开启 / 5分钟关闭	
额定电压	D.C. 36 V - 40 V (最大)	
净重	2.9 - 3.5 kg	

- 生产者保留变更规格不另行通知之权利。
- 规格和电池组可能因销往国家之不同而异。
- 重量因附件（包括电池组）而异。根据EPTA-Procedure 01/2014，最重与最轻的组合见表格。

适用电池组和充电器

台湾和韩国以外的国家

电池组	BL4020 / BL4025 / BL4040 / BL4050F
充电器	DC40RA / DC40RB / DC40RC

- 部分以上所列电池组和充电器是否适用视用户所在地区而异。

⚠警告： 请仅使用以上所列电池组和充电器。使用其他类型的电池组或充电器可能会导致人身伤害和/或失火。

台湾地区

电池组	BL4025 / BL4040
充电器	DC40RA

- 部分以上所列电池组和充电器是否适用视用户所在地区而异。

⚠警告： 请仅使用以上所列电池组和充电器。使用其他类型的电池组或充电器可能会导致人身伤害和/或失火。

韩国

电池组	BL4025 / BL4040
充电器	DC40RA

- 部分以上所列电池组和充电器是否适用视用户所在地区而异。

⚠警告： 请仅使用以上所列电池组和充电器。使用其他类型的电池组或充电器可能会导致人身伤害和/或失火。

符号

以下显示本设备可能会使用的符号。在使用工具之前，请务必理解其含义。



阅读使用说明书。



爆裂危险。



仅限于欧盟国家

由于本设备中包含有害成分，因此废弃的电气和电子设备、蓄电池和普通电池可能会对环境和人体健康产生负面影响。请勿将电气和电子工具或电池与家庭普通废弃物放在一起处置！

根据欧洲关于废弃电气电子设备、蓄电池和普通电池、废弃的蓄电池和普通电池的指令及其国家层面的修订法案，废弃的电气设备、普通电池和蓄电池应当单独存放并递送至城市垃圾收集点，根据环保法规进行处置。

此规定由标有叉形标志的带轮垃圾桶符号表示。

用途

本工具用于轮胎、运动球或小型浮艇充气。

安全警告

电动工具通用安全警告

警告： 阅读随电动工具提供的所有安全警告、说明、图示和规定。不遵照以下所列说明会导致电击、着火和 / 或严重伤害。

保存所有警告和说明书以备查阅。

警告中的术语“电动工具”是指市电驱动（有线）电动工具或电池驱动（无线）电动工具。

工作场地的安全

1. 保持工作场地清洁和明亮。杂乱和黑暗的场地会引发事故。
2. 不要在易爆环境，如有易燃液体、气体或粉尘的环境下操作电动工具。电动工具产生的火花会点燃粉尘或气体。

3. 操作电动工具时，远离儿童和旁观者。注意力不集中会使你失去对工具的控制。

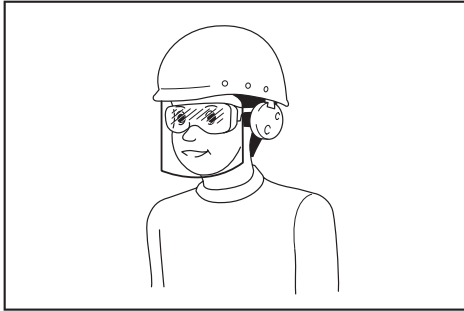
电气安全

1. 电动工具插头必须与插座相配。绝不能以任何方式改装插头。需接地的电动工具不能使用任何转换插头。未经改装的插头和相配的插座将降低电击风险。
2. 避免人体接触接地表面，如管道、散热片和冰箱。如果你身体接触接地表面会增加电击风险。
3. 不得将电动工具暴露在雨中或潮湿环境中。水进入电动工具将增加电击风险。
4. 不得滥用软线。绝不能用软线搬运、拉动电动工具或拔出其插头。使软线远离热源、油、锐边或运动部件。受损或缠绕的软线会增加电击风险。
5. 当在户外使用电动工具时，使用适合户外使用的延长线。适合户外使用的电线将降低电击风险。
6. 如果无法避免在潮湿环境中操作电动工具，应使用带有剩余电流装置（RCD）保护的电源。RCD的使用可降低电击风险。
7. 电动工具会产生对用户无害的电磁场（EMF）。但是，起搏器和其他类似医疗设备的用户应在操作本电动工具前咨询其设备的制造商和 / 或医生寻求建议。

人身安全

1. 保持警觉，当操作电动工具时关注所从事的操作并保持清醒。当你感到疲倦，或在有药物、酒精或治疗反应时，不要操作电动工具。在操作电动工具时瞬间的疏忽会导致严重人身伤害。
2. 使用个人防护装置。始终佩戴护目镜。防护装置，诸如适当条件下使用防尘面具、防滑安全鞋、安全帽、听力防护等装置能减少人身伤害。
3. 防止意外起动。在连接电源和/或电池包、拿起或搬运工具前确保开关处于关断位置。手指放在开关上搬运工具或开关处于接通时通电会导致危险。
4. 在电动工具接通之前，拿掉所有调节钥匙或扳手。遗留在电动工具旋转零件上的扳手或钥匙会导致人身伤害。
5. 手不要过分伸展。时刻注意立足点和身体平衡。这样能在意外情况下能更好地控制住电动工具。
6. 着装适当。不要穿宽松衣服或佩戴饰品。让你的头发和衣服远离运动部件。宽松衣服、佩饰或长发可能会卷入运动部件。

- 如果提供了与排屑、集尘设备连接用的装置，要确保其连接完好且使用得当。使用集尘装置可降低尘屑引起的危险。
- 不要因为频繁使用工具而产生的熟悉感而掉以轻心，忽视工具的安全准则。某个粗心的动作可能在瞬间导致严重的伤害。
- 使用电动工具时请始终佩戴护目镜以免伤害眼睛。护目镜须符合美国ANSI Z87.1、欧洲EN 166或者澳大利亚/新西兰的AS/NZS 1336的规定。在澳大利亚/新西兰，法律要求佩带面罩保护脸部。



雇主有责任监督工具操作者和其他近工作区域人员佩带合适的安全防护设备。

电动工具使用和注意事项

- 不要勉强使用电动工具，根据用途使用合适的电动工具。选用合适的按照额定值设计的电动工具会使你工作更有效、更安全。
 - 如果开关不能接通或关断电源，则不能使用该电动工具。不能通过开关来控制的电动工具是危险的且必须进行修理。
 - 在进行任何调节、更换附件或贮存电动工具之前，必须从电源上拔掉插头和/或卸下电池包（如可拆卸）。这种防护性的安全措施降低了电动工具意外起动的风险。
 - 将闲置不用的电动工具贮存在儿童所及范围之外，并且不允许不熟悉电动工具和不了解这些说明的人操作电动工具。电动工具在未经培训的使用者手中是危险的。
 - 维护电动工具及其附件。检查运动部件是否调整到位或卡住，检查零件破损情况和影响电动工具运行的其他状况。如有损坏，应在使用前修理好电动工具。许多事故是由维护不良的电动工具引发的。
 - 保持切削刀具锋利和清洁。维护良好地有锋利切削刃的刀具不易卡住而且容易控制。
- 按照使用说明书，并考虑作业条件和要进行的作业来选择电动工具、附件和工具的刀头等。将电动工具用于那些与其用途不符的操作可能会导致危险情况。
 - 保持手柄和握持表面干燥、清洁，不得沾有油脂。在意外的情况下，湿滑的手柄不能保证握持的安全和对工具的控制。
 - 使用本工具时，请勿佩戴可能会缠结的布质工作手套。布质工作手套卷入移动部件可能会造成人身伤害。

电池式工具使用和注意事项

- 仅使用生产者规定的充电器充电。将适用于某种电池包的充电器用到其他电池包时可能会发生着火危险。
- 仅使用配有专用电池包的电动工具。使用其他电池包可能会产生伤害和着火危险。
- 当电池包不用时，将它远离其他金属物体，例如回形针、硬币、钥匙、钉子、螺钉或其他小金属物体，以防电池包一端与另一端连接。电池组端部短路可能会引起燃烧或着火。
- 在滥用条件下，液体可能会从电池组中溅出；应避免接触。如果意外碰到液体，用水冲洗。如果液体碰到了眼睛，还应寻求医疗帮助。从电池中溅出的液体可能会发生腐蚀或燃烧。
- 不要使用损坏或改装过的电池包或工具。损坏或改装过的电池组可能呈现无法预测的结果，导致着火、爆炸或伤害。
- 不要将电池包暴露于火或高温中。电池包暴露于火或高于130℃的高温中可能导致爆炸。
- 遵循所有充电说明。不要在说明书中指定的温度范围之外给电池包或电动工具充电。不正确或在指定的温度范围外充电可能会损坏电池和增加着火的风险。

维修

- 让专业维修人员使用相同的备件维修电动工具。这将保证所维修的电动工具的安全。
- 决不能维修损坏的电池包。电池包仅能由生产者或其授权的维修服务商进行维修。
- 上润滑油及更换附件时请遵循本说明书指示。

充电式充气机使用安全警告

- 充气时，请紧密连接充气夹头、转接头和气门嘴。否则充气对象、软管、充气夹头或转接头可能会受损，人员也可能受伤。

2. 请缓慢释放气压。充气结束需移除软管时，请用手牢牢稳住充气对象、软管和充气夹头。充气对象、充气夹头或转接头可能会在排气的作用下反弹，造成伤害。
3. 充气压力切勿超过充气对象能承受的最大气压值。否则可能会导致工具或充气对象、气嘴或转接头受损，人员受伤。
4. 充气压力切勿超过工具的最大充气压力。否则可能会导致充气对象或工具胀裂。
5. 仅可为制造商指定的充气物品充气，例如轮胎、运动球或小型浮艇。为非指定充气物品充气可能会导致充气对象受损，人员受伤。
6. 充气时，请检查气压计、工具和充气对象的状态，并检查是否漏气。否则工具或充气对象可能会受损，并导致人身伤害。
7. 搬运工具时，请紧握工具的把手。请勿持拿或拉拽软管。否则可能会导致工具受损，人员受伤。
8. 充气结束后，请使用可靠、精确的测量设备测量气压值。工具自带气压计读数仅作参考。
9. 连续使用工具10分钟后，请停止使用并等待工具冷却5分钟。工具连续工作时间不得超过限定时间。否则可能会导致工具受损，人员受伤。
10. 切勿在覆有沙尘的物体表面上使用该工具。否则异物可能会进入工具内部，导致故障。
11. 切勿将软管的出气口指向自己或他人。可能会吹起物体，造成人身伤害。
12. 切勿将软管的出气口指向灰尘或类似物质。否则会导致灰尘被吹散空中，导致人身伤害。
13. 不可为大容量充气物充气。否则工具会极度发烫，易灼伤人员皮肤。
14. 不可在充气结束后立即接触工具、软管、充气夹头或连接头。此时金属部件可能会非常烫，易灼伤人员皮肤。
15. 请勿用湿手使用工具。
16. 确保软管没有缠绕打结。软管缠绕打结可能会导致失衡和人身伤害。
17. 切勿在软管尚未拔离充气对象或工具尚在运行的状态下分心旁顾，导致工具无人看管。
18. 切勿将本工具作为呼吸装置使用。
19. 切勿使用本工具喷洒化学品。否则人员肺部会因吸入有毒气体受到伤害。
20. 操作工具时，需距离墙体或任何会阻碍气流进入通风口的障碍物至少50 cm以上。
21. 请勿拆卸本工具。
22. 仅可使用Makita（牧田）标准配件。使用其他配件或装置存在人身伤害风险。
23. 给轮胎充气前，确保轮胎上没有刮伤或裂痕。破损的轮胎会在充气时爆裂，从而造成人身伤害。
24. 给轮胎充气时，请勿停留在正对胎壁的范围內。

电池组的重要安全注意事项

1. 在使用电池组之前，请仔细阅读所有的说明以及 (1) 电池充电器，(2) 电池，以及 (3) 使用电池的产品上的警告标记。
2. 切勿拆卸或改装电池组。否则可能引起火灾、过热或爆炸。
3. 如果机器运行时间变得过短，请立即停止使用。否则可能会导致过热、起火甚至爆炸。
4. 如果电解液进入您的眼睛，用清水将其冲洗干净并立即就医。否则可能会导致视力受损。
5. 请勿使电池组短路：
 - (1) 请勿使任何导电材料碰到端子。
 - (2) 避免将电池组与其他金属物品如钉子、硬币等放置在同一容器内。
 - (3) 请勿将电池组置于水中或使其淋雨。电池短路将产生大的电流，导致过热，并可能导致起火甚至击穿。
6. 请勿在温度可能达到或超过50°C (122°F) 的场所存放以及使用工具和电池组。
7. 即使电池组已经严重损坏或完全磨损，也请勿焚烧电池组。电池组会在火中爆炸。
8. 请勿对电池组射钉，或者切削、挤压、抛掷、掉落电池组，又或者用硬物撞击电池组。否则可能引起火灾、过热或爆炸。
9. 请勿使用损坏的电池。
10. 本工具附带的锂离子电池需符合危险品法规要求。
 第三方或转运代理等进行商业运输时，应遵循包装和标识方面的特殊要求。有关运输项目的准备作业，咨询危险品方面的专业人士。同时，请遵守可能更为详尽的国家法规。
 请使用胶布保护且勿遮掩表面的联络信息，并牢固封装电池，使电池在包装内不可动。
11. 丢弃电池组时，需将其从工具上卸下并在安全地带进行处理。关于如何处理废弃的电池，请遵循当地法规。

12. 仅将电池用于Makita（牧田）指定的产品。将电池安装至不兼容的产品会导致起火、过热、爆炸或电解液泄漏。
13. 如长时间未使用工具，必须将电池从工具内取出。
14. 使用工具期间以及使用工具之后，电池组温度可能较高易引起灼伤或低温烫伤。处理高温电池组时请小心操作。
15. 在使用工具后请勿立即触碰工具的端子，否则可能引起灼伤。
16. 避免锯屑、灰尘或泥土卡入电池组的端子、孔口和凹槽内。否则可能导致工具或电池组性能下降或故障。
17. 除非工具支持在高压电源线路附近使用，否则请勿在高压电源线路附近使用电池组。否则可能导致工具或电池组故障或失常。
18. 确保电池远离儿童。

请保留此说明书。

⚠小心： 请仅使用Makita（牧田）原装电池。使用非Makita（牧田）原装电池或经过改装的电池可能会导致电池爆炸，从而造成火灾、人身伤害或物品受损。同时也会导致牧田工具和充电器的牧田维修服务失效。

保持电池最大使用寿命的提示

1. 在电池组电量完全耗尽前及时充电。发现工具电量低时，请停止工具操作，并给电池组充电。
2. 请勿对已充满电的电池组重新充电。过度充电将缩短电池的使用寿命。
3. 请在10 °C - 40 °C (50 °F - 104 °F) 的室温条件下给电池组充电。请在灼热的电池组冷却后再充电。
4. 不使用电池组时，请将其从工具或充电器上拆除。
5. 如果电池组长时间（超过六个月）未使用，请给其充电。

功能描述

⚠小心： 调节或检查工具功能之前，请务必关闭工具的电源并取出电池组。

安装或拆卸电池组

⚠小心： 安装或拆卸电池组之前，请务必关闭工具电源。

⚠小心： 安装或拆卸电池组时请握紧工具和电池组。否则它们可能从您的手中滑落，导致工具和电池组受损，甚至造成人身伤害。

▶ **图片1：** 1. 红色指示器 2. 按钮 3. 电池组

拆卸电池组时，按下电池组前侧的按钮，同时将电池组从工具中抽出。

安装电池组时，要将电池组上的舌簧与外罩上的凹槽对齐，然后推滑到位。将其完全插入到位，直到锁定并发出咔哒声为止。若能看到图示中的红色指示器，则说明未完全锁紧。

⚠小心： 务必完全装入电池组，直至看不见红色指示器为止。否则，它可能会从工具中意外脱落，从而造成自身或他人受伤。

⚠小心： 请勿强行安装电池组。如果电池组难以插入，可能是插入方法不当。

显示电池的剩余电量

按电池组上的CHECK（查看）按钮可显示电池剩余电量。指示灯将亮起数秒。

▶ **图片2：** 1. 指示灯 2. CHECK（查看）按钮

指示灯			剩余电量
■ 点亮	□ 熄灭	▣ 闪烁	
■ ■ ■ ■			75%至100%
■ ■ ■ □			50%至75%
■ ■ □ □			25%至50%
■ □ □ □			0%至25%
▣ □ □ □			给电池充电。
■ ■ □ □			电池可能出现故障。
□ □ ■ ■			

注：在不同的使用条件及环境温度下，指示灯所示电量可能与实际情况略有不同。

注：当电池保护系统启动时，第一个（最左侧）指示灯将闪烁。

工具 / 电池保护系统

本工具配备有工具 / 电池保护系统。该系统可自动切断电源以延长工具和电池寿命。作业时，如果工具或电池处于以下情况，工具将会自动停止运转。

过载保护

以导致异常高电流的方式操作工具 / 电池时，此保护功能将启动。在这种情况下，请关闭工具并停止导致工具过载的应用程序。然后开启工具以重新启动。

过热保护

当工具/电池过热时，将启动此保护功能。指示灯闪烁，压力计上显示过热警告图标。在这种情况下，请关闭工具使工具和电池冷却。然后重新开启工具。

过放电保护

当剩余电池电量变低时，将启动此保护功能。此时，请取出工具中的电池并予以充电。

主电源开关

警告：不使用时，务必关闭主电源开关。

小心：搬运工具时，请关闭主电源开关。否则可能会无意扣动开关扳机，导致人员受伤。

► 图片3： 1. 主电源开关

按主电源开关打开工具。再次按主电源开关即关闭机器。

注：本工具采用自动关机功能。为避免意外启动，在打开主电源开关后的一段时间内如未扣动开关扳机，主电源开关将自动关闭。

开关操作

警告：在将电池组插入工具之前，请务必检查开关扳机是否能扣动自如，松开时能否退回至“OFF”（关闭）位置。

警告：请勿用胶带或类似物品将开关扳机保持在“开启”位置。

若要启动工具，只需扣动开关扳机即可。松开开关扳机，工具即停止。

► 图片4： 1. 开关扳机

气压计

► 图片5

1	过热警告图标
2	充气模式
3	[-]按钮
4	[M]按钮
5	[+]按钮
6	充气进度指示器
7	当前气压值
8	目标气压值
9	气压值单位




如果工具与充气对象相连，打开工具时压力计上会显示充气对象的当前气压值。如果工具未连接充气对象，压力计会显示“0”。压力计上还会显示目标气压值、气压值单位和充气模式。它们与前一次相同。开始充气时，显示充气进度指示器。当充气进度指示器到达右侧终点时，充气完成。

设置目标气压值

按下[M]按钮，选择气压值单位。每按一次[M]按钮，气压值单位会随之改变。可以从三个单位中选择一个：PSI、BAR或KPA。要增加目标气压值，请按[+]按钮。要降低目标气压值，请按[-]按钮。目标气压值设定范围为35 kPa (5 PSI) 至1,110 kPa (161 PSI)。

设置充气模式

按住[M]按钮3秒。每按住一次[M]按钮，充气模式会随之改变。可以从三种模式中选择一种。

模式	显示屏	用途	可调节的气压范围
球类		为球类充气	35至110 kPa (5至16 PSI)
低速		低速充气	35至1,110 kPa (5至161 PSI)
高速		高速充气	

注：用运动球充气针为球类充气时，确保选择球类模式。如果选择其他模式，将无法正确充气。

注：用英式气门嘴转接头为物体充气时，确保选择低速模式。如果选择其他模式，会无法正确充气。

点亮前灯

按下主电源开关打开工具时，指示灯亮起。按下主电源开关关闭工具时，指示灯熄灭。

► **图片6：** 1. 照明灯 2. 主电源开关

⚠小心：请勿直视灯光或光源。

注意：工具过热时，该灯闪烁。关闭工具，待工具充分冷却后再重新操作工具。

注：请使用干布擦拭灯头灰。注意不要刮花灯头，否则会降低亮度。

存放连接头

可将转接头存放在工具的转接头托架中。先将运动球插入法式气门嘴转接头，然后再将它们放入转接头托架。

► **图片7：** 1. 运动球充气针 2. 法式气门嘴转接头 3. 转接头托架 4. 锥形转接头

收纳软管

可将软管夹在工具的软管托架上。

► **图片8：** 1. 软管托架 2. 软管

排气按钮

注意：当把英式气门嘴转接头安装到工具上时，即使按排气按钮也不会排出空气。

物体充气过多时，按下排气按钮将空气排出。

► **图片9：** 1. 排气按钮

操作

注：标准适配器因销往国家而异。

使用英式气门嘴转接头

注意：用英式气门嘴转接头为物体充气时，确保选择低速模式。如果选择其他模式，会无法正确充气。

1. 将英式气门嘴转接头插入气门嘴。
2. 用英式气门嘴转接头夹住气门嘴，将两者连接起来。
► **图片10：** 1. 英式气门嘴转接头 2. 充气夹头 3. 气门嘴
3. 打开工具。
4. 扣住开关扳机为轮胎充气，并同时观察轮胎的状态。

注意：使用英式气门嘴转接头时，气压计无法准确显示数值。为轮胎充气时，请勿依据压力计上的数值，应该通过轮胎状态判断气压。

如果轮胎尚未达到所需气压时工具已停止，请调整气压值，然后再次充气。

使用美式气门嘴转接头

1. 将充气夹头连接至气门嘴。
► **图片11：** 1. 气门嘴 2. 充气夹头
2. 打开工具，然后使用气压计设定适合轮胎的气压值。
3. 扣住开关扳机直至工具停止。此时轮胎已达到指定气压。

使用法式气门嘴转接头

1. 松开气门嘴上的防松螺母。
► **图片12：** 1. 防松螺母
2. 先将法式气门嘴转接头连接至气门嘴，然后再将充气夹头连接至法式气门嘴转接头。
► **图片13：** 1. 法式气门嘴转接头 2. 气门嘴 3. 充气夹头
3. 打开工具，然后使用气压计设定适合轮胎的气压值。
4. 扣住开关扳机直至工具停止。此时轮胎已达到指定气压。
5. 移除充气夹头和法式气门嘴转接头，然后拧紧防松螺母。

使用运动球充气针

注意：用运动球充气针为球类充气时，确保选择球类模式。如果选择其他模式，将无法正确充气。

为运动球充气时，请使用运动球充气针。

1. 将运动球充气针放入充气夹头。
▶ **图片14：** 1. 充气夹头 2. 运动球充气针
2. 将运动球充气针插入球的充气孔中。
3. 打开工具。
4. 将充气模式设置为球类模式，并用压力计为球设置合适的气压值。
5. 扣住开关扳机直至工具停止。此时球已达到指定气压。

使用锥形转接头

小心：注意不要为浮艇充入过多空气。

为浮艇充气时，请使用锥形转接头。

1. 将锥形转接头放入充气夹头。
▶ **图片15：** 1. 充气夹头 2. 锥形转接头
2. 把锥形转接头插入浮艇的充气孔中。
3. 打开工具。
4. 扣住开关扳机为浮艇充气，并观察浮艇的状态。

注意：为浮艇充气时，请勿依据压力计上的当前气压值做判断。当浮艇的气压低于 **35 kPa (5 PSI)** 时，压力计无法准确显示当前气压值。

保养

小心：检查或保养工具之前，请务必关闭工具电源并取出电池组。

注意：切勿使用汽油、苯、稀释剂、酒精或类似物品清洁工具。否则可能会导致工具变色、变形或出现裂缝。

为了保证产品的安全与可靠性，维修、任何其他维修保养或调节需由Makita（牧田）授权的或工厂维修服务中心完成。务必使用Makita（牧田）的替换部件。

选购附件

小心：这些附件或装置专用于本说明书所列的Makita（牧田）工具。如使用其他厂牌附件或装置，可能导致人身伤害。仅可将附件或装置用于规定目的。

如您需要了解更多关于这些选购附件的信息，请咨询当地的Makita（牧田）维修服务中心。

- Makita（牧田）原装电池和充电器

注：本列表表中的一些部件可能作为标准配件包含于工具包装内。它们可能因销往国家之不同而异。

規格

型號：	MP001G	
全長	含 BL4025	320 mm
	含 BL4040	329 mm
最大氣壓	1,110 kPa	
工作週期	10 分鐘開啟 / 5 分鐘關閉	
額定電壓	D.C. 36 V - 40 V (最大)	
淨重	2.9 - 3.5 kg	

- 生產者保留變更規格不另行通知之權利。
- 規格和電池組可能因銷往國家之不同而異。
- 重量可能有所不同，視附件（包含電池組）而定。上表顯示符合EPTA-Procedure 01/2014的最輕及最重組合。

適用的電池組與充電器

台灣及韓國以外的國家

電池組	BL4020 / BL4025 / BL4040 / BL4050F
充電器	DC40RA / DC40RB / DC40RC

- 上述某些電池組與充電器可能會因居住地區而無法使用。

⚠警告：務必使用上述的電池組與充電器。使用任何其他電池組與充電器可能會導致人員受傷和／或火災。

適用於台灣

電池組	BL4025 / BL4040
充電器	DC40RA

- 上述某些電池組與充電器可能會因居住地區而無法使用。

⚠警告：務必使用上述的電池組與充電器。使用任何其他電池組與充電器可能會導致人員受傷和／或火災。

適用於韓國

電池組	BL4025 / BL4040
充電器	DC40RA

- 上述某些電池組與充電器可能會因居住地區而無法使用。

⚠警告：務必使用上述的電池組與充電器。使用任何其他電池組與充電器可能會導致人員受傷和／或火災。

符號

以下顯示本設備可能使用的符號。在使用工具前，請務必理解其涵義。



請仔細閱讀使用說明書。



爆裂危險。



僅用於歐盟國家

由於本設備中存有危險組件，廢棄電氣與電子設備、蓄電池與電池可能會對環境與人體健康產生負面影響。

請勿將電氣與電子器具或電池和家庭廢棄物一同處理！

根據針對廢棄電氣與電子設備、蓄電池與電池及廢棄蓄電池與電池制訂的歐洲指令及其對本國法律的修改版，應依照環境保護法規個別存放廢棄電氣設備、電池與蓄電池，並將其送至都市垃圾獨立回收點。

這類設備會在設備上以打叉的滑輪垃圾桶作為符號標示。

用途

本工具的用途為替輪胎、運動用球類或小型游泳圈打氣。

安全警告

一般電動工具安全警告

警告：請通讀本電動工具附帶的所有安全警告、安全事項、插圖和規格。未按照以下列舉安全事項而使用或操作可能導致觸電、火災和/或嚴重傷害。

妥善保存所有的警告和安全事項說明以備將來參考。

在該警告中的「電動工具」是指電網電源供電（接電源線）的電動工具或電池驅動（充電式）的電動工具。

工作場地安全

1. 保持工作場地清潔和明亮。混亂和黑暗的場所會引發事故。
2. 請勿在易爆環境，如有易燃液體、氣體或粉塵的環境下操作電動工具。電動工具產生的火花會點燃粉塵或氣體。
3. 操縱電動工具時不可讓兒童和旁觀者接近。操作時分心會使你無法正常控制機器。

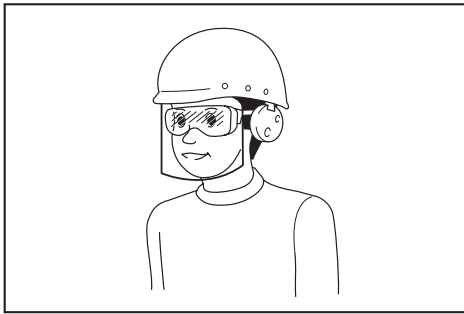
電氣安全

1. 電動工具插頭必須與插座匹配。絕不能以任何方式改裝插頭。需接地的電動工具不能使用任何轉換插頭。使用未經改裝的插頭和與之匹配的插座將減少觸電危險。
2. 工作時，身體不可接觸到接地的金屬體，例如鐵管、散熱器、火爐和冷凍機。如果身體接地會增加觸電危險。
3. 不得將電動工具暴露在雨中或潮濕環境中。若有水進入電動工具將增加觸電危險。
4. 不得腳踏導線。不可拖著導線移行工具或拉導線拔出插頭。還須避免使導線觸及高熱物體、油脂、尖銳邊緣或運動部件。受損或纏繞的導線會增加觸電危險。
5. 當在戶外使用電動工具時，一定要採用戶外專用的延長導線。採用戶外專用的延長導線能減少觸電的危險。
6. 如必須在潮濕的環境中使用電動工具，請使用殘餘電流裝置（RCD）保護電源。使用RCD保護電源能減少觸電的危險。
7. 電動工具會產生對使用者無害的電磁場（EMF）。不過，對心律調整器使用者及其他類似醫療器材的使用者而言，請務必先聯絡器材製造商及/或醫師以瞭解相關建議，再操作此類電動工具。

人身安全

1. 保持警覺，當操作電動工具時關注所從事的操作並保持清醒。請勿在疲勞時或受到藥物、酒精或治療影響時操作電動工具。在操作電動工具期間分心可能會導致嚴重人身傷害。
2. 使用安全裝置。始終佩帶護目鏡。安全裝置，如適當條件下的防塵面具、防滑安全鞋、安全帽、防護耳罩等設備能減少人身傷害。

3. 避免意外起動。在將工具接上電源和／或電池組以及拿起或搬動電動工具之前，確保開關處於關閉位置。搬運工具時手指放在已接通電源的開關上或開關處於接通時插入插頭可能會引發事故。
4. 在電動工具接通之前，取下所有調節鑰匙或扳手。遺留在電動工具旋轉零件上的扳手或鑰匙會導致人身傷害。
5. 操作時手不要伸得太長。使用時請雙腳站穩，時刻保持平衡。這樣在意外情況下能很好地控制電動工具。
6. 注意衣裝。不要穿寬鬆衣服或佩帶飾品。勿使頭髮和衣服靠近運動部件。寬鬆衣服、佩飾或長發易卷入運動部件。
7. 如果提供了與排屑裝置、集塵設備連接用的裝置，則確保他們連接完好且使用得當。使用集塵設備可減少因碎屑引起的危險。
8. 切勿因頻繁使用本工具而自認熟練導致您大意輕忽工具的安全原則。一時的疏忽隨即會造成人員重傷。
9. 使用電動工具時，請務必配戴護目鏡，以防眼睛受到傷害。護目鏡需符合美國 ANSI Z87.1 標準、歐洲 EN 166 標準或澳洲／紐西蘭 AS/NZS 1336 標準。若於澳洲／紐西蘭地區，法定需配戴面罩以保護臉部。
3. 在進行任何調整、更換配件或存放電動工具之前，請將插頭從電源上拔下，並且／或將可拆式電池組從工具上取下。此類防護性安全措施可減少電動工具突然起動的危險。
4. 將閒置的電動工具存放在小孩不能拿到之處，並且不要讓不熟悉電動工具或對這些說明不了解的人操作電動工具。電動工具在未經訓練的用戶手中是危險的。
5. 保養電動工具及配件。檢查運動部件的安裝誤差或卡滯情形、零件損壞和影響電動工具運轉的其他情況。如有損壞，電動工具必須在使用之前修理好。許多事故由保養不良的電動工具引發。
6. 保持切削刀具的鋒利和清潔。保養良好的有鋒利切削刃的刀具不易被卡住而且容易控制。
7. 按照使用說明書，根據作業條件和作業特點來使用電動工具、附件和工具的刀頭等。將電動工具用於那些與要求不符的操作可能會導致危險情況。
8. 手柄及握把表面務必保持乾燥清潔，不沾油脂。如手柄及握把表面油滑，將無法在非預期的情況下安全操控工具。
9. 使用此工具時，請勿穿戴可能會捲入的布質工作手套。布質工作手套捲入移動零件中，會導致嚴重的人身傷害。



雇主有責任監督工具操作者和其他鄰近工作區域的人員穿戴合適的安全保護裝備。

電動工具使用和注意事項

1. 使用電動工具時請勿用蠻力。根據用途使用適當的電動工具。選擇具有適當設計額定值的電動工具會使妳工作更有效、更安全。
2. 如果開關無法接通或關閉工具電源，則不可使用該電動工具。不能用開關來控制的電動工具是危險的且必須進行修理。

用電池驅動的電動工具的使用和注意事項

1. 僅使用製造商指定的充電器進行充電。使用適用於某一類型電池組的充電器給其他電池組充電可能會引起火災。
2. 僅使用專門設計的電池組給電動工具供電。使用任何其他電池組可能會造成人身傷害及火災。
3. 不使用電池組時請將其遠離紙夾、硬幣、鑰匙、釘子、螺絲或其他小型金屬物體放置。這些物體可能會使電池端子短路。短接電池端子可能會引起燃燒或起火。
4. 使用過度時，電池中可能溢出液體；請避免接觸。如果意外接觸到電池漏液，請用水沖洗。如果液體接觸到眼睛，請就醫。電池漏液可能會導致過敏發炎或灼傷。
5. 請勿使用損壞或經修改過的電池組或工具。損壞或經修改過的電池可能會出現無法預料的運作情形，而引發火災、爆炸或人員受傷風險。
6. 請勿將電池組或工具暴露於火源或高溫環境。暴露於火源或 130 °C 以上的高溫可能會發生爆炸。

- 請遵守所有充電說明，並勿於說明中指定之溫度範圍外進行電池組或工具充電。以錯誤的方式或於指定之溫度範圍外進行充電，可能會損壞電池，並增加火災風險。

維修

- 將你的電動工具送交專業維修人員修理，必須使用相同的備件進行更換。這樣將確保所維修的電動工具的安全性。
- 請勿維修損壞的電池組。僅可由製造商或授權的維修商維修電池組。
- 上潤滑油及更換附件時請遵循本說明書指示。

充電式打氣機安全警告

- 替物體打氣時，請妥善連接打氣頭、轉接頭和氣嘴。否則物體、軟管、打氣頭或轉接頭可能會損壞且您可能會受傷。
- 緩慢釋放氣壓。打氣後，若要拆下軟管，請緊握物體、軟管和打氣頭。物體、打氣頭或轉接頭可能會因排氣而彈跳，進而造成傷害。
- 打氣時，請勿超過物體的最大壓力。否則工具或物體可能會損壞，且您可能會受傷。
- 使用工具時，請勿超過工具的最大輸出壓力。若在超過工具最大輸出壓力的情況下使用工具，物體或工具可能會爆炸。
- 僅限使用於由製造商打氣的物體打氣，例如輪胎、運動用球類或小型游泳圈。若使用於其他物體，可能會損壞該物體並造成傷害。
- 替物體打氣時，請檢查壓力計、工具與物體的狀態，並確認未出現漏氣情形。否則工具或物體可能會損壞，並造成傷害。
- 搬運工具時，請握住工具的把手。請勿握住或拉動軟管。工具可能會損壞並造成傷害。
- 替物體打氣後，請使用可靠且經校準的測量設備檢查氣壓。工具的壓力計僅供參考。
- 連續使用工具 10 分鐘後，請停止使用工具 5 分鐘，讓工具冷卻。使用工具時，請勿超過允許的連續運轉時間。否則工具可能會損壞，並造成傷害。
- 請勿在沙地或多塵表面上使用工具。異物可能會進入工具內部，而造成故障。
- 請勿讓軟管出口朝向自己或其他人。物體可能會被吹飛，並造成傷害。
- 請勿讓軟管出口朝向塵土或類似物體。塵土可能會飛散，並造成傷害。

- 請勿替大容量物體打氣。若替大容量物體打氣，工具可能會非常燙而造成皮膚燙傷。
- 替物體打氣後，請勿立刻碰觸工具、軟管、打氣頭或轉接頭。金屬零件可能會非常燙而造成皮膚燙傷。
- 請勿在濕手時使用工具。
- 請確保軟管未纏繞。纏繞的軟管可能導致失去平衡，並造成傷害。
- 將軟管裝到物體上，或運轉期間，嚴禁讓工具處於無人看管的狀態。
- 請勿將工具作為呼吸裝置。
- 請勿使用工具噴灑化學品。您的肺部可能會因吸入毒煙而受傷。
- 請在空曠區域操作工具，遠離牆壁或物體至少 50 cm，以免限制通風開口的氣流。
- 請勿拆解工具。
- 僅限使用 Makita (牧田) 提供標準配件。如使用其他廠牌配件或裝置，可能導致人員受傷的危險。
- 替輪胎打氣之前，請先確定輪胎上沒有刮痕或裂痕。損壞的輪胎可能會在打氣時爆開，造成人員受傷。
- 替輪胎打氣時，請勿站在胎側前方。

電池組的重要安全須知

- 使用電池組之前，請閱讀 (1) 充電器、(2) 電池和 (3) 使用電池的產品上的所有指示說明和注意標識。
- 請勿拆解或改裝電池組。以免引發火災、過熱或爆炸。
- 如果工具運行時間極短，請立即停止使用。否則可能會導致過熱、起火甚至爆炸。
- 如果電解液進入眼睛，請立即用清水沖洗並就醫。這種情況可能會導致失明。
- 請勿短接電池組：
 - 請勿用任何導電材料觸碰電池端子。
 - 避免將電池組與釘子、硬幣等金屬物品存放在同一容器中。
 - 請勿將電池組置於水中或使其淋雨。電池短路會產生較大的電流，導致過熱並可能引起起火甚至擊穿。
- 請勿在溫度可能達到或超過 50 °C 的場所存放或使用工具和電池組。
- 請勿焚燒電池組，即使其已嚴重損壞或徹底磨損。電池組會在火中爆炸。

8. 請勿釘牢、切割、輾壓、丟擲、摔落電池組，或使電池組撞擊硬物。這類行為可能會引發火災、過熱或爆炸。
9. 請勿使用損壞的電池。
10. 本工具附帶的鋰離子電池需符合危險品法規要求。
第三方或轉運代理在進行商業運輸時，應遵循包裝和標識方面的特殊要求。有關運輸項目的準備作業，諮詢危險品方面的專業人士。同時，請遵守可能更詳盡的國家法規。
請使用膠帶保護且勿遮掩表面的聯絡資訊，並牢固封裝電池，使電池在包裝內不可動。
11. 廢棄電池須移出工具並安全地棄置。關於如何處理廢棄的電池，請遵循當地法規。
12. 電池僅可用於 Makita（牧田）規定產品。將電池裝入非相容產品中可能會導致起火、過熱、爆炸或電解液滲漏情形。
13. 若工具長期間不使用，電池須從工具移出。
14. 使用期間和之後，電池組可能會發燙，因而造成燙傷或低溫灼傷。處理發燙的電池組時，請多加小心。
15. 使用後請勿立即觸碰工具的端子，因為端子溫度極高，足以造成燙傷。
16. 請勿讓碎屑或塵土卡在電池組的端子、孔洞和溝槽。以免造成工具或電池組性能下降或故障。
17. 除非工具支援在高電壓電氣線路附近使用，否則請勿在高電壓電氣線路附近使用電池組。以免造成工具或電池組失常或故障。
18. 將電池置於孩童無法觸及之處。

妥善保存這些手冊。

⚠️ 小心：請僅使用原裝 Makita（牧田）電池。使用非原裝 Makita（牧田）電池或經過改裝的電池可能會導致電池爆炸，從而造成火災、人身傷害或物品受損。同時也會導致牧田工具和充電器的牧田保修服務失效。

保持電池最大使用壽命的提示

1. 要在電池組完全放電前對其充電。當發現工具動力不足時，一定要停止使用工具並對電池組進行充電。
2. 切勿對已經充滿的電池組再次充電。過度充電會縮短電池的使用壽命。
3. 要在室溫為 10 °C – 40 °C 的條件下對電池組充電。請在充電前使處於發熱狀態的電池組冷卻。
4. 不使用電池組時，請將其從工具或充電器取下。
5. 如果電池組長時間（超過六個月）未使用，請給其充電。

功能描述

⚠️ 小心：調節或檢查工具功能之前，請務必關閉工具電源開關並取下電池組。

安裝或拆卸電池組

⚠️ 小心：安裝或拆卸電池組前，請務必關閉工具電源。

⚠️ 小心：安裝或拆卸電池組時請握緊工具和電池組。未握緊工具和電池組可能會導致它們從您的手中滑落，損壞工具和電池組，造成人身傷害。

► 圖片1: 1. 紅色指示器 2. 按鈕 3. 電池組
拆卸電池組時，要在滑動電池組前側按鈕的同時將其從工具中抽出。

安裝電池組時，將電池組舌片對準外殼上的槽溝，並將其滑入定位。將其插到底，直到聽見喀嗒聲鎖入定位為止。如果您能看見圖中所示的紅色指示器，則表示尚未完全鎖定。

⚠️ 小心：務必將電池組完全插入，直至看不見紅色指示器為止。否則其可能會意外從工具中脫落出來從而造成自身或他人受傷。

⚠️ 小心：請勿過度用力安裝電池組。如果電池組滑動不平滑，可能是插入不當。

顯示電池的剩餘電量

按下電池組上的檢查按鈕顯示剩餘電池電量。指示燈將亮起數秒。

► 圖片2: 1. 指示燈 2. 檢查按鈕

指示燈			剩餘電量
亮起	關閉	閃爍	
■	□	▩	
■ ■ ■ ■			75%至100%
■ ■ ■ □			50%至75%
■ ■ □ □			25%至50%
■ □ □ □			0%至25%
▩ □ □ □			請對電池進行充電。
■ ■ □ □ ↑ ↓ □ □ ■ ■			電池可能存在故障。

注：根據使用條件和環境溫度，指示電量可能於實際電量有稍許不同。

注：電池保護系統運作時，第一個(最左側)指示燈將閃爍。

工具／電池組保護系統

本工具配備工具／電池保護系統。此系統可自動切斷電源，以延長工具和電池使用壽命。若本工具或電池在操作期間出現下列任一情況，工具將自動停止運轉：

過載保護

以導致異常高電流的方式操作工具／電池時，此保護機制會啟動。在此情況下，請關閉工具電源並停止會導致工具過載的操作方式。之後再開啟工具電源，重新啟動工具。

過熱保護

工具／電池過熱時，此保護機制會啟動。指示燈閃爍，同時壓力計上顯示過熱警告圖示。在此情況下，請關閉工具電源，讓工具和電池冷卻。然後再次開啟工具電源。

過放電保護

剩餘電池電量偏低時，此保護機制會啟動。在此情況下，請取出工具中的電池並進行充電。

電源開關

警告： 不使用時，務必關閉電源開關。

小心： 搬運工具時，請關閉電源開關。否則一旦不慎扣動開關扳機，可能會造成傷害。

► 圖片3: 1. 電源開關

若要開啟工具，請按下電源開關。若要關閉工具，請再次按下電源開關。

注：本工具具備自動電源關閉功能。為避免意外啟動，在電源開關開啟後，如果一段時間內沒有扣動開關扳機，電源開關將會自動關閉。

開關操作

警告： 將電池組插入工具之前，請務必確認扳機開關是否能扣動自如，釋放後能夠返回至「OFF」（關閉）位置。

警告： 請勿透過黏貼膠帶或類似物品，將開關扳機固定在「ON」（開啟）位置。

扣動開關扳機即可啟動工具。釋放開關扳機即可停止。

► 圖片4: 1. 開關扳機

壓力計

► 圖片5

1	過熱警告圖示
2	打氣模式
3	[-] 按鈕
4	[M] 按鈕
5	[+] 按鈕
6	打氣進度指示燈
7	目前壓力值
8	目標壓力值
9	壓力值單位

將要打氣的物體連接至工具後，啟動工具時，物體的目前壓力值會顯示在壓力計上。若未將任何物體連接至工具，壓力計則顯示「0」。




壓力計也會顯示目標壓力值、壓力值單位及打氣模式。這些項目會與上次使用時相同。開始打氣時，就會顯示打氣進度指示燈。打氣進度指示燈抵達最右側時，代表打氣完成。

設定目標壓力值

按下 [M] 按鈕，然後選擇壓力值單位。每次按下 [M] 按鈕時，都會變更壓力值單位。共有下列三種單位可供選擇：PSI、BAR 或 KPA。若要增加目標壓力值，請按下 [+] 按鈕。若要減少目標壓力值，請按下 [-] 按鈕。可將目標壓力值設為介於 35 kPa (5 PSI) 與 1,110 kPa (161 PSI) 之間的值。

設定打氣模式

按住 [M] 按鈕 3 秒。每次按住 [M] 按鈕時，都會變更打氣模式。共有下列三種模式可供選擇。

模式	顯示	用途	可調整壓力範圍
球類		替球類打氣	35 至 110 kPa (5 至 16 PSI)
低速		替物體低速打氣	35 至 1,110 kPa (5 至 161 PSI)
高速		替物體高速打氣	

注：使用打氣針替球類打氣時，務必選擇球類模式。若選擇其他模式，將無法正確進行打氣。

注：使用英式氣嘴轉接頭替物體打氣時，務必選擇低速模式。若選擇其他模式，將無法正確進行打氣。

點亮前燈

按下電源開關開啟工具時，指示燈亮起。按下電源開關關閉工具時，指示燈熄滅。

► 圖片6: 1. 燈 2. 電源開關

 **小心：** 不要直視燈光或光源。

注意：工具過熱時，指示燈會閃爍。請先關閉工具電源，待工具徹底冷卻後，再繼續操作工具。

注：請用乾布擦去燈殼上的塵垢。應小心不要刮花燈頭，否則可能會降低照明度。

存放轉接頭

可將轉接頭存放在工具的轉接頭固定座中。請先將打氣針插入法式氣嘴轉接頭，再將其裝入轉接頭固定座。

► 圖片7: 1. 打氣針 2. 法式氣嘴轉接頭
3. 轉接頭固定座 4. 錐形轉接頭

存放軟管

可將軟管裝到工具的軟管固定器中。

► 圖片8: 1. 軟管固定器 2. 軟管

空氣釋放按鈕

注意：將英式氣嘴轉接頭裝到工具上時，即便按下空氣釋放按鈕，空氣仍不會釋出。

替物體過度打氣時，請按下空氣釋放按鈕，釋出空氣。

► 圖片9: 1. 空氣釋放按鈕

操作

注：標準轉接頭視國家而異。

使用英式氣嘴轉接頭

注意：使用英式氣嘴轉接頭替物體打氣時，務必選擇低速模式。若選擇其他模式，將無法正確進行打氣。

1. 將英式氣嘴轉接頭插入打氣頭。
2. 將英式氣嘴轉接頭裝到氣嘴桿上，同時打開英式氣嘴轉接頭。
► 圖片10: 1. 英式氣嘴轉接頭 2. 打氣頭
3. 氣嘴桿
3. 開啟工具。
4. 扣動開關扳機替輪胎打氣，同時查看輪胎狀態。

注意：使用英式氣嘴轉接頭時，基於氣嘴特性，壓力計不會顯示準確的數值。替輪胎打氣時，請勿參考壓力計數值，而是一邊打氣，一邊查看輪胎狀態。

若工具在輪胎達到所需氣壓之前停止，請調整壓力值，然後再次替輪胎打氣。

使用美式氣嘴轉接頭

1. 將打氣頭裝到氣嘴桿上。
▶ **圖片11:** 1. 氣嘴桿 2. 打氣頭
2. 開啟工具，然後使用壓力計，針對輪胎設定適合的壓力值。
3. 扣住開關扳機，直到工具停止。替輪胎打氣，達到指定壓力。

使用法式氣嘴轉接頭

1. 鬆開氣嘴桿上的鎖緊螺母。
▶ **圖片12:** 1. 鎖緊螺母
2. 將法式氣嘴轉接頭裝到氣嘴桿上，然後將打氣頭裝到法式氣嘴轉接頭上。
▶ **圖片13:** 1. 法式氣嘴轉接頭 2. 氣嘴桿 3. 打氣頭
3. 開啟工具，然後使用壓力計，針對輪胎設定適合的壓力值。
4. 扣住開關扳機，直到工具停止。替輪胎打氣，達到指定壓力。
5. 拆下打氣頭和法式氣嘴轉接頭，然後控緊鎖緊螺母。

使用打氣針

注意： 使用打氣針替球類打氣時，務必選擇球類模式。若選擇其他模式，將無法正確進行打氣。

- 若要替運動用球類打氣，請使用打氣針。
1. 將打氣針裝到打氣頭上。
▶ **圖片14:** 1. 打氣頭 2. 打氣針
 2. 將打氣針插入球類的打氣孔中。
 3. 啟動工具。
 4. 將打氣模式設為球類模式，然後使用壓力計設定適合該球體的壓力值。
 5. 扣住開關扳機，直到工具停止。工具會以指定壓力替球類充氣。

使用錐形轉接頭

小心： 小心不要替游泳圈過度打氣。

若要替游泳圈打氣，請使用錐形轉接頭。

1. 將錐形轉接頭裝到打氣頭上。
▶ **圖片15:** 1. 打氣頭 2. 錐形轉接頭
2. 將錐形轉接頭插入游泳圈上的打氣孔。
3. 啟動工具。
4. 扣動開關扳機替游泳圈打氣，同時查看游泳圈狀態。

注意： 替游泳圈打氣時，請勿參考壓力計上的目前壓力值。游泳圈的壓力低於 **35 kPa (5 PSI)** 時，壓力計不會顯示正確的目前壓力值。

保養

小心： 檢查或保養工具之前，請務必關閉工具電源開關並拆下電池組。

注意： 切勿使用汽油、苯、稀釋劑、酒精或類似物品清潔工具。否則可能會導致工具變色、變形或出現裂縫。

為了保證產品的安全與可靠性，任何維修或其他維修保養工作需由Makita (牧田) 授權的或工廠維修服務中心來進行。務必使用Makita (牧田) 的更換部件。

選購附件

⚠️小心： 這些附件或裝置建議使用於本說明書所指定的**Makita**（牧田）工具。如使用其他廠牌附件或裝置，可能導致傷人的危險。僅可將選購附件或裝置用於規定目的。

如您需要瞭解更多關於這些選購附件的信息，請諮詢當地的**Makita**（牧田）維修服務中心。

- **Makita**（牧田）原裝電池和充電器

注：本列表中的一些部件可能作為標準配件包含於工具包裝內。規格可能因銷往國家之不同而異。

台灣RoHS限用物質含有量標示
請掃描右方QR Code或參考下列網址；
<https://makita.com.tw/rohs/>



生產製造商名稱：**Makita Corporation**

進口商名稱：台灣牧田股份有限公司

電話：02-8601-9898

傳真機：02-8601-2266

地址：新北市 24459 林口區文化三路二段 798 號

사양

모델:	MP001G	
전체 길이	BL4025 장착	320mm
	BL4040 장착	329mm
최대 공기 압력	1,110kPa	
듀티 사이클	10분 켜짐 / 5분 꺼짐	
정격 전압	D.C. 36V~40V 최대	
중량	2.9~3.5kg	

- 지속적인 연구, 개발로 인해 여기에 기재된 사양은 예고 없이 변경될 수 있습니다.
- 사양과 배터리 카트리지는 국가별로 다를 수 있습니다.
- 배터리 카트리지를 포함한 부착품에 따라 무게가 달라질 수 있습니다. 유럽 전동공구 협회에서 2014년 1월에 정의한 절차에 따른 가장 가벼운 조합과 가장 무거운 조합이 표에 나와 있습니다.

사용 가능한 배터리 카트리지 및 충전기

대만 및 한국 이외의 국가

배터리 카트리지	BL4020 / BL4025 / BL4040 / BL4050F
충전기	DC40RA / DC40RB / DC40RC

- 위에 기재된 일부 배터리 카트리지 및 충전기는 거주 지역에 따라 이용할 수 없는 경우가 있습니다.

⚠경고: 배터리 카트리지와 충전기는 위에 기재된 것만 사용하셔야 합니다. 다른 배터리 및 충전기를 사용하면 대인 상해 및/또는 화재의 위험이 야기될 수 있습니다.

대만용

배터리 카트리지	BL4025 / BL4040
충전기	DC40RA

- 위에 기재된 일부 배터리 카트리지 및 충전기는 거주 지역에 따라 이용할 수 없는 경우가 있습니다.

⚠경고: 배터리 카트리지와 충전기는 위에 기재된 것만 사용하셔야 합니다. 다른 배터리 및 충전기를 사용하면 대인 상해 및/또는 화재의 위험이 야기될 수 있습니다.

한국용

배터리 카트리지	BL4025 / BL4040
충전기	DC40RA

- 위에 기재된 일부 배터리 카트리지 및 충전기는 거주 지역에 따라 이용할 수 없는 경우가 있습니다.

⚠경고: 배터리 카트리지와 충전기는 위에 기재된 것만 사용하셔야 합니다. 다른 배터리 및 충전기를 사용하면 대인 상해 및/또는 화재의 위험이 야기될 수 있습니다.

기호

다음은 본 공구에 사용된 기호를 나타냅니다. 사용하시기 전에 그 의미를 숙지하여 주십시오.



취급 설명서를 참조하여 주십시오.



폭발 위험.



EU 국가만 해당 장비에는 위험한 부품이 존재하기 때문에 전기 및 전자 장비, 축전지, 배터리 폐기물은 환경과 인체 건강에 부정적인 영향을 미칠 수 있습니다. 전기 및 전자 가전제품 또는 배터리는 가정용 쓰레기와 함께 폐기하지 마십시오! 전기 및 전자 장비 폐기물, 축전지 및 배터리를 폐기할 때 환경 보호를 위한 지침과 이에 따른 국내법에 따라, 전기 장비, 배터리, 축전지 폐기물은 따로 수거하여 환경 보호 규정에 따라 운영되는 별도의 자체 폐기물 수거 장소로 전달해야 합니다. 장비에 있는 X자 표시된 바퀴 달린 쓰레기통 기호가 이를 나타냅니다.

용도

이 공구는 타이어, 스포츠 볼 또는 작은 부유 튜브에 공기를 주입하기 위해 제작되었습니다.

안전 경고

일반 안전 경고

⚠경고: 이 전동공구와 함께 제공된 경고, 사용설명서, 일러스트와 사양을 숙지하여 주십시오. 사용방법을 따르지 않으면 감전, 화재 및/또는 상해의 원인이 됩니다.

본 경고와 사용설명서를 잘 보관하여 주십시오.

아래의 모든 경고에서 '전동공구' 라고 하는 것은 전원선으로 작동하는 전동공구와 배터리로 작동하는 충전식 전동공구를 의미합니다.

작업장의 안전

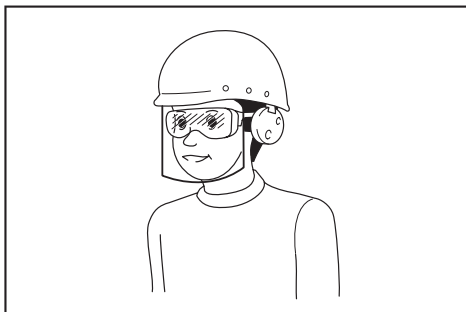
1. 작업장을 충분히 밝고 깨끗하게 유지하여 주십시오. 어둡거나 어두운 작업장은 사고의 원인이 됩니다.
2. 인화성 액체, 가스 또는 분진과 같이 폭발성 물질이 있는 환경에서 전동공구를 사용하지 마십시오. 전동공구에서 튀는 불꽃으로 분진이나 가스가 점화될 수 있습니다.
3. 전동공구가 작동되고 있을 때는 작업자 이외의 사람이나 어린이들의 접근을 막아 주십시오. 주위가 산만하면 제어력을 상실할 수 있습니다.

전기 안전

1. 전동공구의 플러그는 콘센트에 맞아야 합니다. 플러그를 절대로 개조하지 마십시오. 접지된 전동공구에 다른 플러그를 연결하여 사용하지 마십시오. 개조하지 않은 플러그와 규격의 콘센트는 감전의 위험을 줄여 줍니다.
2. 파이프, 난방기, 레인지, 냉장고와 같이 접지된 표면에 신체 접촉을 피하여 주십시오. 작업자의 몸이 닿을 경우 감전의 위험이 증가합니다.
3. 전동공구를 비나 습기에 노출시키지 마십시오. 물이 전동공구에 들어갈 경우 감전의 위험이 증가합니다.
4. 코드를 항부로 다루지 마십시오. 코드를 당겨 전동공구를 이동하거나 플러그를 뽑지 마십시오. 열, 오일, 날카로운 모서리, 회전부로부터 코드를 멀리하여 주십시오. 코드가 손상되거나 영기면 감전의 위험이 증가합니다.
5. 전동공구를 실외에서 사용할 경우에는 실외용 연결 코드를 사용하여 주십시오. 실외용 연결선은 감전의 위험을 줄여 줍니다.
6. 습도가 높은 곳에서 작업할 경우 누전차단기(RCD)를 사용하여 주십시오. RCD의 사용은 감전의 위험을 줄여 줍니다.
7. 전동 공구는 사용자에게 해롭지 않은 전자기장(EMF)을 생성할 수 있습니다. 하지만 심박 조율기 및 기타 비슷한 의료 장치의 사용자는 본 전동 공구를 사용하기 전에 해당 장치의 제조사 및/또는 의사에게 조언을 구해야 합니다.

작업자 안전

1. 전동공구를 사용할 때는 방심하지 말고 어떤 작업을 하고 있는지 항상 주목하며 상식적으로 생각하며 작업하여 주십시오. 피곤하거나, 약을 복용했거나, 술을 마신 다음에는 전동공구를 사용하지 마십시오. 전동공구를 사용하는 동안 잠깐이라도 방심하면 심각한 상해 사고가 일어날 수 있습니다.
2. 안전 장비를 사용하여 주십시오. 항상 보안경을 착용하여 주십시오. 작업 환경에 적절하게 방진 마스크, 미끄럼방지 작업화, 작업모자, 귀마개와 같은 안전장비를 사용하여 상해를 줄일 수 있습니다.
3. 실수로 공구가 기동되지 않도록 하십시오. 공구를 이동하거나 들어올리거나 배터리나 전원을 연결하기 전에 스위치가 꺼져 있는지를 먼저 확인하여 주십시오. 전동공구의 스위치에 손가락을 넣은 상태로 이동하거나 스위치가 켜진 상태에서 플러그를 연결하면 사고가 날 수 있습니다.
4. 전동공구를 작동시키기 전에 먼저 조절기 또는 렌치를 제거하여 주십시오. 전동공구의 회전부에 렌치나 키가 꽂혀 있으면 상해의 원인이 됩니다.
5. 무리한 자세로 작업하지 마십시오. 항상 양발을 고정시켜 균형을 유지하여 주십시오. 예기치 않은 상황이 발생해도 전동공구를 잘 제어할 수 있습니다.
6. 적절한 복장으로 작업하여 주십시오. 헐렁한 옷이나 장신구를 착용하지 마십시오. 회전부에 머리카락, 의류가 끼지 않도록 주의하여 주십시오. 헐렁한 의류나, 장신구, 긴 머리카락은 회전부에 빨려 들어갈 수 있습니다.
7. 방진 및 집진 장비에 연결할 경우에는 제대로 연결하여 바르게 사용하여 주십시오. 집진 장비를 사용하면 먼지로 발생하는 위험을 줄일 수 있습니다.
8. 잦은 공구 사용으로 익숙해졌다고 방심하거나 공구 안전 수칙을 무시하지 마십시오. 부주의한 행동은 순식간에 심각한 대인 상해를 야기할 수 있습니다.
9. 전기 공구 사용 시에 발생할 수 있는 부상을 방지하기 위해 항상 보호용 고글을 착용하십시오. 고글은 미국의 ANSI Z87.1, 유럽의 EN 166 또는 호주/뉴질랜드의 AS/NZS 1336을 준수한 것이어야 합니다. 호주/뉴질랜드에서는 얼굴 보호를 위해서 보호면(페이스 쉴드) 착용 또한 법적으로 규정되어 있습니다.



직원은 공구 사용자 및 작업장에 있는 다른 사람들이 적절한 안전 보호 장비를 사용하도록 해야 할 책임이 있습니다.

전동공구의 사용 및 관리

1. 전동공구를 무리하게 사용하지 마십시오. 용도에 맞는 전동공구를 사용하여 주십시오. 용도와 용량에 맞게 전동공구를 사용해야 능률적이고 안전하게 작업할 수 있습니다.

- 스위치가 켜지거나 꺼지지 않으면 전동공구의 사용을 중단하여 주십시오. 스위치가 제대로 작동하지 않는 전동공구는 위험하므로 반드시 수리하여 주십시오.
- 전동공구를 조정하거나, 부속품을 교환하거나, 보관하기 전에는 플러그를 뽑거나 본기가 가능한 전동공구에서 배터리 팩을 제거해 주십시오. 이러한 안전조치는 전동공구가 예기치 않게 작동하는 위험을 줄여 줍니다.
- 사용하지 않는 전동공구는 아이들의 손이 닿지 않는 곳에 보관하여 주시고, 전동공구나 본 설명서 내용에 익숙하지 않은 사람이 전동공구를 사용하지 않도록 하여 주십시오. 훈련받지 않은 작업자가 전동공구를 사용하는 것은 매우 위험합니다.
- 동력 공구와 부속품을 유지 보수합니다. 회전부의 연결과 조정은 관찰은지, 손상된 부분은 없는지 등 전동공구 작동에 영향을 줄 수 있는 모든 상태를 점검하여 주십시오. 공구가 손상되었으면 사용 전에 반드시 수리를 받아 주십시오. 많은 사고가 전동공구의 유지보수를 제대로 하지 않아서 발생합니다.
- 절삭용 공구는 날카롭고 깨끗하게 유지하여 주십시오. 체에나 유지보수된 전동공구에 날카로운 절삭날을 사용하면 작업 중에 날이 걸려 움직이지 않는 경우가 적으며 제어하기 쉬워집니다.
- 전동공구, 부속품, 공구 비트는 작업 조건과 작업 내용을 고려하여 선택하고, 이 설명서에 따라 사용하여 주십시오. 전동공구를 지정된 용도와 달리 사용하면 위험한 상황이 초래될 수 있습니다.
- 손잡이와 그림 표면은 항상 건조한 상태를 유지하고, 기름과 윤활유가 묻지 않도록 주의하여 주십시오. 미끄러운 손잡이와 그림 표면으로는 예기치 않은 상황에서 안전한 조작이나 제어를 할 수 없게 됩니다.
- 공구를 사용할 때는 위험할 수 있는 천 소재 작업 장갑을 착용하지 마십시오. 천 소재 작업 장갑이 가동 부분에서 얽히면 부상을 입을 수 있습니다.

배터리 공구의 사용 및 관리

- 제조자가 지정한 충전기만으로 충전하여 주십시오. 한 가지 형태의 배터리 팩에 적합한 충전기는 다른 배터리 팩과 함께 사용하면 위험을 야기할 수 있습니다.
- 지정된 배터리 팩으로만 전동공구를 사용하여 주십시오. 다른 배터리 팩을 사용하면 대인 상해 및 화재의 위험이 야기될 수 있습니다.
- 배터리 팩을 사용하지 않을 때는 양 전극이 통하도록 하는 종이 클립, 동전, 열쇠, 못, 나사 및 기타 소형 금속 물질을 주변에 두지 마십시오. 배터리 전극을 단락시켜 화상이나 화재가 일어날 수 있습니다.
- 험한 환경에서 사용할 경우 배터리에서 배터리 액이 누출될 수 있으므로 몸에 닿지 않도록 주의하십시오. 실수로 접촉한 경우에는 물로 씻어 주십시오. 액체가 눈에 들어간 경우에는 의사를 찾아가십시오. 배터리에서 흘러나온 액체는 염증이나 화상을 일으킬 수 있습니다.
- 손상되거나 개조된 배터리 팩 혹은 공구를 사용하지 마십시오. 손상되거나 개조된 배터리는 예기치 못한 현상으로 화재, 폭발 또는 부상으로 이어질 수 있습니다.
- 배터리 팩이나 공구를 불 또는 너무 높은 온도에 노출시키지 마십시오. 불이나 130°C 이상의 높은 온도에 노출시키면 폭발의 원인이 될 수 있습니다.

- 충전에 관한 모든 지시를 따르고, 설명서에 지정된 온도 범위 밖에서 배터리 팩 혹은 공구를 충전하지 마십시오. 지정된 온도 범위 밖 또는 부적절한 충전은 배터리에 손상을 주고 화재의 위험을 높일 수 있습니다.

서비스

- 자격을 갖춘 전문가가 마가다 순정부품을 사용하여 본 제품을 수리하도록 하여 주십시오. 그러면 전동공구를 안전하게 사용하는 데 도움이 됩니다. 만일 전원 코드의 대치가 필요하면 이는 안전사고를 피하기 위해 제조자나 대리점에 의해 행해집니다.
- 손상된 배터리 팩을 점검하기 마십시오. 배터리 팩은 제조업체 또는 공인 서비스 센터에서만 점검해야 합니다.
- 주요 및 부속품의 교환 시에는 설명서의 지시를 따라 주십시오.

충전 공기 주입기 안전 경고

- 물체에 공기를 주입할 때는 에어 척, 어댑터, 밸브를 단단히 연결하십시오. 그렇게 하지 않으면 물체, 호스, 에어 척 또는 어댑터가 손상되어 다칠 수도 있습니다.
- 공기 압력을 천천히 배출하십시오. 물체에 공기를 주입한 후 호스를 제거할 때는 물체, 호스 및 에어 척을 단단히 잡으십시오. 배출되는 공기로 인해 물체, 에어 척 또는 어댑터가 튀어 나와 다칠 수도 있습니다.
- 물체의 최대 압력을 초과하여 물체에 공기를 주입하지 마십시오. 그렇게 하지 않으면 공구 또는 물체가 손상되어 다칠 수도 있습니다.
- 공구의 최대 출력 압력을 초과하여 공구를 사용하지 마십시오. 공구의 최대 출력 압력보다 큰 출력 압력으로 공구를 사용하면 물체나 공구가 파열될 수 있습니다.
- 타이어, 스포츠 볼 또는 작은 부유 튜브와 같이 제조업체만 공기를 주입하도록 제작된 물체에 공기를 주입하십시오. 다른 물체에 공기를 주입하면 물체가 손상되어 다칠 수도 있습니다.
- 물체에 공기를 주입할 때 압력계, 공구 및 물체의 상태를 확인하고 공기 누출이 없는지 확인하십시오. 그렇게 하지 않으면 공구나 물체가 손상되어 다칠 수도 있습니다.
- 공구를 운반할 때는 공구의 손잡이를 잡으십시오. 호스를 잡거나 당기지 마십시오. 공구가 손상되어 다칠 수도 있습니다.
- 물체에 공기를 주입한 후 믿을 수 있으며 교정을 받은 측정 장비를 사용하여 공기 압력을 확인하십시오. 공구의 압력계는 참고용으로만 사용하십시오.
- 10분 동안 연속해서 공구를 사용한 후에는 열기를 식히기 위해 5분 동안 공구의 사용을 중지하십시오. 허용되는 연속 작동 시간을 초과하여 공구를 사용하지 마십시오. 그렇게 하지 않으면 공구가 손상되어 다칠 수도 있습니다.
- 모래 또는 먼지가 많은 표면에서 공구를 사용하지 마십시오. 이물질이 공구 내부로 들어가서 오작동을 일으킬 수 있습니다.
- 호스의 배출구를 자신 또는 다른 사람에게 향하게 하지 마십시오. 물건이 날아가거나 다칠 수도 있습니다.
- 호스의 배출구를 먼지 또는 그와 비슷한 곳으로 향하게 하지 마십시오. 먼지가 흩날려서 다칠 수도 있습니다.

13. 용량이 큰 물체에 공기를 주입하지 마십시오. 용량이 큰 물체에 공기를 주입하면 공구가 매우 뜨거워지고 그로 인해 화상을 입을 수 있습니다.
14. 물체에 공기를 주입한 직후 공구, 호스, 에어 척 또는 어댑터를 만지지 마십시오. 금속 부분이 매우 뜨거우므로 화상을 입을 수 있습니다.
15. 젖은 손으로 공구를 사용하지 마십시오.
16. 호스가 꼬이지 않았는지 확인하십시오. 호스가 꼬이면 균형을 잃어 다칠 수도 있습니다.
17. 호스가 물체에 부착되어 있거나 작동하고 있을 때는 절대로 공구를 방치하지 마십시오.
18. 호흡 장치로 공구를 사용하지 마십시오.
19. 공구를 화학 재품을 분사하는 데 사용하지 마십시오. 유독 가스를 흡입하여 폐가 손상될 수 있습니다.
20. 공구가 환풍구로 흘러가는 것을 막는 벽 또는 물체에서 최소한 50cm 떨어진 개방된 장소에서 공구를 작동하십시오.
21. 공구를 분리하지 마십시오.
22. 마기다에서 제공하는 표준 액세서리만 사용하십시오. 다른 부속품을 사용하게 되면 다칠 위험이 있습니다.
23. 타이어를 부풀리기 전에 타이어에 흠집이나 균열이 없는지 확인하십시오. 타이어가 손상되면 팽창 시 파열되어 부상을 입을 수 있습니다.
24. 타이어를 부풀릴 때는 사이드월 앞에 있지 마십시오.

배터리 카트리지에 대한 중요한 안전 규칙

1. 배터리 카트리지를 사용하기 전에 (1) 배터리 충전기 (2) 배터리 (3) 배터리를 사용하는 제품에 관한 모든 지시사항 및 주의 표시를 숙지하여 주십시오.
2. 배터리 카트리지를 분해하거나 개조하지 마십시오. 화재, 과열, 폭발을 유발할 수 있습니다.
3. 작동 시간이 지나치게 짧아진 경우에는 작동을 즉시 멈춰 주십시오. 과열이나 화상 혹은 폭발할 위험이 있습니다.
4. 전해질이 눈에 들어간 경우에는 깨끗한 물로 씻어낸 다음 즉시 치료를 받으십시오. 시력을 잃을 수 있습니다.
5. 배터리 카트리지를 단락시키지 마십시오:
 - (1) 전도성 물질을 단자에 대지 마십시오.
 - (2) 못, 동전 등과 같은 금속 물질이 들어 있는 용기에 배터리 카트리지를 보관하지 마십시오.
 - (3) 배터리 카트리지를 물이나 비에 노출시키지 마십시오.
 배터리가 단락되어 과전류, 과열, 화상 및 고장이 일어날 수 있습니다.
6. 온도가 50°C 이상 되는 곳에서 공구와 배터리 카트리지를 보관하거나 사용하지 마십시오.
7. 심하게 손상되었거나 완전히 닳은 경우라도 배터리 카트리지를 대우지 마십시오. 배터리 카트리지에 폭발할 수 있습니다.
8. 배터리 카트리지를 못으로 박거나 자르거나 부수거나 던지거나 떨어뜨리지 말고 딱딱한 물건으로 배터리 카트리지를 두드리지 마십시오. 화재, 과열, 폭발을 유발할 수 있습니다.
9. 손상된 배터리를 사용하지 마십시오.

10. 포함된 리튬이온 배터리는 위험을 규정 요건을 따릅니다. 제3자, 포워딩 업체와 같은 상업적 운송을 이용할 때는 포장 및 라벨에 대한 특별 요건이 반드시 준수되어야 합니다. 그 품목의 운송 준비에는 위험 물질 전문가에게 상담하십시오. 또한 좀 더 세부적인 것은 각 국가 규정에 따르십시오. 테이프를 붙이거나 개방 접점을 가린 상태로 포장을 해서 운송용 상자 안에서 배터리가 움직이지 못하도록 하십시오.
11. 배터리 카트리지를 폐기할 때는 공구에서 배터리를 꺼내 안전한 장소에 폐기하십시오. 배터리 처리에 관해서는 지역 규정에 따르십시오.
12. 배터리는 마기다가 지정한 제품에만 사용하십시오. 배터리를 호환성이 없는 제품에 설치하면 화재, 과열, 폭발 또는 전해질 누출을 유발할 수 있습니다.
13. 공구를 장시간 사용하지 않으면 공구에서 배터리를 제거해야 합니다.
14. 사용 중 및 사용 후에는 배터리 카트리지에 열이 가해져 화상이나 저온 화상을 유발할 수 있습니다. 뜨거운 배터리 카트리지를 다룰 때는 취급에 주의하십시오.
15. 사용 직후에는 화상을 입을 정도로 뜨거워질 수 있으므로 공구의 단자를 만지지 마십시오.
16. 배터리 카트리지의 단자, 구멍, 홈에 부스러기, 먼지 또는 흠이 들어가지 않도록 주의하여 주십시오. 공구 또는 배터리 카트리지의 성능이 저하되거나 고장 날 수 있습니다.
17. 공구가 고전압 전력선 근처에서의 사용을 지원하지 않는다면 배터리 카트리지를 고전압 전력선 근처에서 사용하지 마십시오. 공구 또는 배터리 카트리지 가 오작동하거나 고장 날 수 있습니다.
18. 어린이의 손이 닿지 않는 곳에 배터리를 보관하십시오.

본 취급 설명서를 잘 보관하여 주십시오.

⚠주의: 정품 마기다 배터리만 사용하십시오. 순정품이 아닌 마기다 배터리 또는 개조된 배터리를 사용하면 배터리 폭발이 발생하여 화재, 개인 부상 및 손상의 원인이 될 수 있습니다. 또한, 마기다 공구 및 충전기에 대한 미끼다 보증이 무효가 됩니다.

배터리 수명을 최대한으로 유지하는 방법

1. 완전히 방전되기 전에 배터리 카트리지를 충전합니다. 공구의 힘이 약해진 것을 감지했을 때 공구의 작동을 멈추고 배터리 카트리지를 충전합니다.
2. 완전히 충전된 배터리 카트리지를 재충전하지 마십시오. 과충전은 배터리의 수명을 단축시킵니다.
3. 실내 온도 10°C~40°C에서 배터리 카트리지를 충전합니다. 충전하기 전에 뜨거운 배터리 카트리지를 식힙니다.
4. 배터리 카트리지를 사용하지 않을 때는 공구 또는 충전기에서 배터리를 제거하십시오.
5. 6개월 이상 장기간 배터리 카트리지를 사용하지 않을 때는 충전한 다음 보관해 주십시오.

기능 설명

▲주의: 공구의 기능을 조정하거나 점검하기 전에는 항상 공구의 스위치가 꺼져 있고 배터리가 분리되어 있는지 확인해 주십시오.

배터리 카트리지 설치 및 제거

▲주의: 배터리 카트리지를 장착하거나 제거하기 전에는 반드시 공구의 스위치를 끕니다.

▲주의: 배터리 카트리지를 장착하거나 제거할 때 공구와 배터리 카트리지를 단단히 잡아 주십시오. 공구와 배터리 카트리지를 단단히 잡지 않으면 손에서 미끄러져 공구와 배터리 카트리지에 손상이 생기고 대인 상해 또한 일어날 수 있습니다.

▶ **그림1:** 1. 적색 표시기 2. 버튼 3. 배터리 카트리지

배터리 카트리지를 분리하려면 카트리지 전면에 있는 버튼을 밀면서 공구에서 빼냅니다.

배터리 카트리지를 장착하려면 하우징의 홈에 배터리 카트리지의 돌출부를 맞추고 그대로 밀어 넣습니다. 딸각 소리가 나면서 제자리에 들어가 잠길 때까지 쪽 밀어 넣습니다. 그림과 같이 적색 표시기가 보이면 완전히 잠긴 것이 아닙니다.

▲주의: 적색 표시기가 보이지 않을 때까지 배터리 카트리지를 완전히 장착합니다. 그렇지 않으면 공구에서 분리되어 작업자나 주변 사람에게 상해를 입힐 수 있습니다.

▲주의: 배터리 카트리지를 힘으로 장착하지 마십시오. 카트리지가 쉽게 들어가지 않으면 정확하게 삽입한 것이 아닙니다.

남아 있는 배터리 용량 표시

배터리 카트리지에 있는 확인 버튼을 눌러 배터리의 남은 용량을 표시합니다. 표시기 램프가 몇 초간 켜집니다.

▶ **그림2:** 1. 표시기 램프 2. 확인 버튼

표시기 램프			남은 용량
켜짐	꺼짐	깜빡임	
			75% - 100%
			50% - 75%
			25% - 50%
			0% - 25%
			배터리를 충전합니다
			배터리가 고장일 수 있습니다.

참고: 사용 상태와 주변의 온도에 따라 실제 용량보다 조금 다르게 표시될 수 있습니다.

참고: 배터리 보호 시스템이 작동하면 첫 번째(맨 왼쪽) 표시기 램프가 깜박입니다.

공구/배터리 보호 시스템

공구에는 공구/배터리 보호 장치가 장착되어 있습니다. 이 시스템은 자동으로 전원을 차단해 공구와 배터리 수명을 연장합니다. 공구나 배터리가 다음 중 한 가지 상황이 되면 작동 중에 공구가 자동으로 작동을 멈춥니다.

과부하 방지

보호 기능은 공구/배터리가 비정상적으로 높은 전류를 끌어들이기 시작할 때 작동합니다. 이런 경우에는 공구를 끄고 공구에 과부하를 일으키는 원인이 된 작업을 중단하십시오. 그런 다음 공구를 켜고 다시 시작하십시오.

과열 방지

이 보호 기능은 공구/배터리가 과열될 때 작동합니다. 램프가 깜박이고 과열 경고 아이콘이 압력계에 표시됩니다. 이 경우 공구를 끄고 공구와 배터리를 식히십시오. 그런 다음 다시 공구를 켭니다.

과방전 방지

이 보호 시스템은 남은 배터리 용량이 적어졌을 때 작동합니다. 이런 상황에서는 배터리를 공구에서 분리하고 배터리를 충전하십시오.

주 전원 스위치

▲경고: 사용하지 않을 때는 항상 주 전원 스위치를 끕니다.

▲주의: 공구를 운반할 때는 주 전원 스위치를 끄십시오. 잘못하면 스위치 트리거가 당겨져 부상을 입을 수 있습니다.

▶ **그림3:** 1. 주 전원 스위치

공구를 켜려면 주 전원 스위치를 누릅니다. 공구를 끄려면 주 전원 스위치를 다시 누릅니다.

참고: 이 공구는 자동 전원 꺼짐 기능을 채용했습니다. 의도하지 않은 가동을 피하기 위해, 주 전원 스위치가 켜진 후에도 일정 시간 동안 스위치 트리거를 당기지 않으면 주 전원 스위치가 자동으로 꺼집니다.

스위치 작동

▲경고: 공구에 배터리를 넣기 전에 반드시 스위치가 올바르게 작동하며 스위치를 놓았을 때 'OFF' 위치로 되돌아오는지를 확인하여 주십시오.

▲경고: 스위치 트리거를 'ON' 위치에 고정하기 위해 테이프 등을 부착하지 마십시오.

공구를 가동하려면 스위치 트리거를 당기지만 하면 됩니다. 멈추려면 스위치 트리거를 놓습니다.

▶ **그림4:** 1. 스위치 트리거

압력계

▶ 그림5

1	과열 경고 아이콘
2	공기 주입 모드
3	[-] 버튼
4	[M] 버튼
5	[+] 버튼
6	공기 주입 진행률 표시기
7	현재 압력값
8	목표 압력값
9	압력값 단위

공기를 주입할 물체를 공구에 연결하면 공구를 켤 때 물체의 현재 압력값이 압력계에 표시됩니다. 공구에 아무 것도 연결되어 있지 않으면 압력계에 '0' 이 표시됩니다.




압력계에는 목표 압력값, 압력값 단위, 공기 주입 모드도 표시됩니다. 마지막 설정과 동일하게 표시됩니다. 공기 주입을 시작하면 공기 주입 진행률 표시기가 표시됩니다. 공기 주입 진행률 표시기가 오른쪽 끝에 오면 공기 주입이 완료됩니다.

목표 압력값 설정

[M] 버튼을 누르고 압력값 단위를 선택합니다. 압력값 단위는 [M] 버튼을 누를 때마다 변경됩니다. PSI, BAR, KPA의 세 가지 단위 중 하나를 선택할 수 있습니다. 목표 압력값을 늘리려면 [+] 버튼을 누르십시오. 목표 압력값을 줄이려면 [-] 버튼을 누르십시오. 목표 압력값은 35kPa(5PSI)과 1,110kPa(161PSI) 사이에서 설정할 수 있습니다.

공기 주입 모드 설정

[M] 버튼을 3초간 누릅니다. 공기 주입 모드는 [M] 버튼을 길게 누를 때마다 변경됩니다. 다음 세 가지 모드 중 하나를 선택할 수 있습니다.

모드	표시	목적	조정 가능한 압력 범위
볼		볼에 공기 주입	35~110kPa (5~16PSI)
저속		저속으로 물체에 공기 주입	35~1,110kPa (5~161PSI)
고속		고속으로 물체에 공기 주입	

참고: 스포츠 볼 바늘 사용하여 볼에 공기를 주입할 때는 볼 모드를 선택해야 합니다. 다른 모드를 선택하면 공기 주입이 제대로 수행되지 않습니다.

참고: 영국식 밸브 어댑터를 사용하여 물체에 공기를 주입할 때는 저속 모드를 선택해야 합니다. 다른 모드를 선택하면 공기 주입이 제대로 수행되지 않습니다.

전원 램프 점등

주 전원 스위치를 눌러 공구를 켜면 램프가 켜집니다. 주 전원 스위치를 눌러 공구를 끄면 램프도 꺼집니다.

▶ 그림6: 1. 램프 2. 주 전원 스위치

▲ 주의: 직접 불빛을 들여다보거나 광원을 보지 마십시오.

유의 사항: 공구가 과열되면 램프가 깜박입니다. 공구를 다시 작동하기 전에 공구를 끄고 공구를 완전히 식히십시오.

참고: 마른 천을 사용해 램프 렌즈의 먼지를 제거하여 주십시오. 조도를 떨어뜨릴 수 있으므로 램프 렌즈를 손상시키지 않도록 주의하여 주십시오.

어댑터 수납

어댑터를 공구의 어댑터 홀더에 수납할 수 있습니다. Presta 밸브 어댑터에 스포츠 볼 바늘을 끼운 후 어댑터 홀더에 부착하십시오.

▶ 그림7: 1. 스포츠 볼 바늘 2. Presta 밸브 어댑터 3. 어댑터 홀더 4. 테이퍼 어댑터

호스 수납

호스를 공구의 호스 홀더에 부착할 수 있습니다.

▶ 그림8: 1. 호스 홀더 2. 호스

공기 배출 버튼

유의 사항: 영국식 밸브 어댑터가 공구에 부착된 동안은 공기 배출 버튼을 눌러도 공기가 나오지 않습니다.

물체에 너무 많은 공기가 주입되었을 때는 공기 배출 버튼을 눌러 공기를 배출하십시오.

▶ 그림9: 1. 공기 배출 버튼

작동

참고: 표준 어댑터는 나라에 따라 다릅니다.

영국식 밸브 어댑터 사용하기

유의 사항: 영국식 밸브 어댑터를 사용하여 물체에 공기를 주입할 때는 저속 모드를 선택해야 합니다. 다른 모드를 선택하면 공기 주입이 제대로 수행되지 않습니다.

1. 영국식 밸브 어댑터를 에어 척에 끼웁니다.
2. 영국식 밸브 어댑터를 연 상태에서 밸브 시스템에 영국식 밸브 어댑터를 부착하십시오.
- ▶ 그림10: 1. 영국식 밸브 어댑터 2. 에어 척 3. 밸브 시스템
3. 공구를 켭니다.
4. 타이어의 상태를 확인하면서 스위치 트리거를 당겨 타이어에 공기를 주입합니다.

유의 사항: 영국식 밸브 어댑터를 사용할 때는 밸브의 특성으로 인해 압력계에 정확한 값이 표시되지 않습니다. 타이어에 공기를 주입할 때는 압력계의 값을 사용하지 말고 타이어의 상태를 확인하는 방법으로 공기를 주입하십시오.

타이어에 원하는 공기 압력이 채워지기 전에 공구가 멈추는 경우에는 압력값을 조정하고 다음 타이어에 공기를 다시 주입하십시오.

Schrader 밸브 어댑터 사용하기

1. 에어 척을 밸브 시스템에 부착합니다.
▶ **그림11: 1. 밸브 시스템 2. 에어 척**
2. 공구를 켜 다음 압력계를 사용하여 타이어에 적합한 압력값을 설정합니다.
3. 공구가 멈출 때까지 스위치 트리거를 당깁니다. 지정된 압력으로 타이어에 공기가 주입됩니다.

Presta 밸브 어댑터 사용하기

1. 밸브 시스템에 있는 잠금 너트를 풉니다.
▶ **그림12: 1. 잠금 너트**
2. Presta 밸브 어댑터를 밸브 시스템에 부착한 다음 Presta 밸브 어댑터에 에어 척을 연결하십시오.
▶ **그림13: 1. Presta 밸브 어댑터 2. 밸브 시스템 3. 에어 척**
3. 공구를 켜 다음 압력계를 사용하여 타이어에 적합한 압력값을 설정합니다.
4. 공구가 멈출 때까지 스위치 트리거를 당깁니다. 지정된 압력으로 타이어에 공기가 주입됩니다.
5. 에어 척 및 Presta 밸브 어댑터를 분리한 다음 잠금 너트를 조입니다.

스포츠 볼 바늘 사용하기

유의사항: 스포츠 볼 바늘 사용하여 볼에 공기를 주입할 때는 볼 모드를 선택해야 합니다. 다른 모드를 선택하면 공기 주입이 제대로 수행되지 않습니다.

스포츠 볼에 공기를 주입하려면 스포츠 볼 바늘을 사용합니다.

1. 스포츠 볼 바늘을 에어 척에 부착합니다.
▶ **그림14: 1. 에어 척 2. 스포츠 볼 바늘**
2. 스포츠 볼 바늘을 볼의 구멍에 끼웁니다.
3. 공구를 켭니다.
4. 공기 주입 모드를 볼 모드로 설정하고 압력계를 사용하여 볼에 적합한 압력값을 설정합니다.
5. 공구가 멈출 때까지 스위치 트리거를 당깁니다. 지정된 압력으로 볼에 공기가 주입됩니다.

테이퍼 어댑터 사용하기

주의: 부유 튜브에 공기를 너무 많이 주입하지 않도록 주의하십시오.

부유 튜브에 공기를 주입하려면 테이퍼 어댑터를 사용합니다.

1. 테이퍼 어댑터를 에어 척에 부착합니다.
▶ **그림15: 1. 에어 척 2. 테이퍼 어댑터**
2. 테이퍼 어댑터를 부유 튜브의 구멍에 끼웁니다.
3. 공구를 켭니다.
4. 부유 튜브의 상태를 확인하면서 스위치 트리거를 당겨 부유 튜브에 공기를 주입합니다.

유의사항: 부유 튜브에 공기를 주입할 때는 압력계의 현재 압력값을 참조하지 마십시오. 부유 튜브의 압력이 **35kPa(5PSI)** 미만이면 압력계에 정확한 현재 압력값이 표시되지 않습니다.

유지 보수

주의: 점검 또는 유지 보수 작업을 하기 전에는 항상 공구의 스위치가 꺼져 있고 배터리 카트리지가 분리되어 있는지 확인하여 주십시오.

유의사항: 휘발유, 벤진, 시너, 알코올 등은 사용하지 마십시오. 변색 또는 변형되거나 금이 갈 수 있습니다.

제품의 안정과 신뢰성을 유지하기 위해, 수리 및 기타 유지 보수 또는 조정 시에는 항상 마끼다 순정 부품을 사용하는 마끼다 공인 서비스 센터나 공장 서비스 센터를 이용하여 주십시오.

별매품

주의: 이는 본 취급 설명서에 명시된 마끼다 공구를 사용할 때 권장되는 부속품입니다. 다른 부속품을 사용하게 되면 대인 상해를 야기할 수 있습니다. 지정된 용도로만 별매품을 사용하여 주십시오.

본 부속품에 관한 보다 상세한 도움이 필요하신 경우에는 각 지역 마끼다 서비스 센터에 문의하여 주십시오.

- 마끼다 정품 배터리와 충전기

참고: 목록의 몇 가지 품목은 표준 부속품으로 공구 포장에 포함되어 있습니다. 포함된 품목은 국가별로 상이할 수 있습니다.

الملحقات الاختيارية

⚠تنبيه: يوصى باستعمال هذه الملحقات أو المستلزمات مع أداة Makita المحددة في هذا الدليل. فاستعمال أية ملحقات أو مستلزمات أخرى قد يعرض الأشخاص لخطر الإصابة. ولا تستعمل أية ملحقات أو مستلزمات إلا للعرض المعين لها.

إذا كنت بحاجة إلى أي مساعدة للحصول على مزيد من التفاصيل حول هذه الملحقات، فالرجاء الاستفسار من مركز خدمة Makita المحلي.

- شاحن وبطارية Makita الأصليان

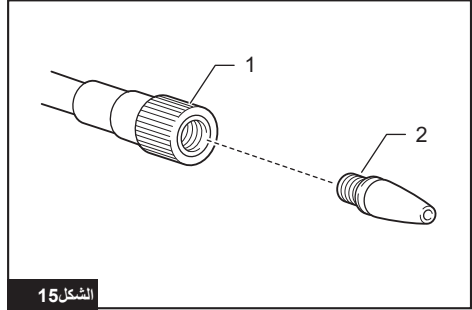
ملاحظة: قد تكون بعض العناصر الواردة بهذه القائمة مرفقة داخل عبوة الأداة كملحقات قياسية. وقد تختلف من بلد لآخر.

استخدام المهام المديب

⚠تنبيه: احرص على عدم نفخ العوامات بشكل مفرط.

لنفخ العوامات، استخدم المهام المديب.

1. صبل إبرة المهام المديب بماسك اللقمة الهوائي.



الشكل 15

1. ماسك اللقمة الهوائي 2. المهام المديب

2. ركب المهام المديب في فتحة العوامة.

3. شغل الأداة.

4. انفخ العوامة من خلال سحب زناد التشغيل وتحقق في الوقت ذاته من حالة العوامة.

إشعار: عند نفخ عوامة، لا ترجع إلى القيمة الحالية للضغط المبيّنة على مقياس الضغط. لا يعرض مقياس الضغط قيمة دقيقة للضغط الحالي عندما يكون ضغط العوامة أقل من 35 kPa (35 PSI).

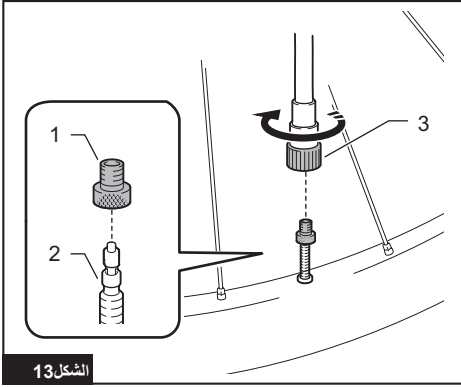
الصيانة

⚠تنبيه: تأكد دائماً من إيقاف تشغيل الأداة وإزالة صندوق البطارية قبل محاولة إجراء فحص أو صيانة.

إشعار: تجنب استخدام الجازولين أو البنزين أو النتر أو الكحول أو ما شابه. فقد ينتج عن ذلك تغير لون الجهاز أو تشوه شكله أو تشققه.

للحفاظ على سلامة المنتج وموثوقيته، يجب إجراء أية عمليات إصلاح أو أية إجراءات صيانة أو ضبط أخرى لدى مراكز خدمة المصنع أو Makita المعتمدة، ونوصي دوماً باستعمال قطع غيار من إنتاج Makita.

2. وصل مهائى صمام بريستا بساق الصمام، ثم ركب ماسك اللقمة الهوائي بمهائى صمام بريستا.



الشكل 13

1. مهائى صمام بريستا 2. ساق الصمام 3. ماسك اللقمة الهوائي

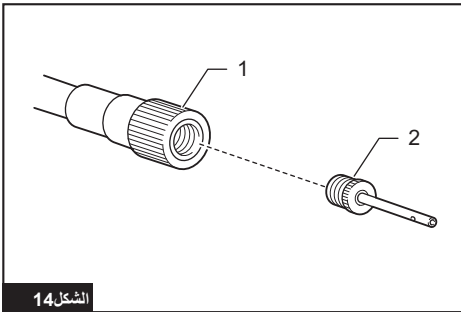
3. شغل الأداة، ثم اضبط قيمة الضغط المناسبة للإطار باستخدام مقياس الضغط.
4. استمر في سحب زناد التشغيل حتى تتوقف الأداة. يتم نفخ الإطار بقيمة الضغط المحددة.
5. أزل ماسك اللقمة الهوائي ومهائى صمام بريستا، ثم اربط صامولة القفل.

استخدام إبرة كرة القدم

إشعار: احرص على تحديد وضع الكرة عند نفخ كرة باستخدام إبرة كرة القدم؛ فقد يتعذر النفخ بشكل صحيح إذا تم تحديد وضع آخر.

لنفخ كرة القدم، استخدم إبرة كرة القدم.

1. وصل إبرة كرة القدم بماسك اللقمة الهوائي.



الشكل 14

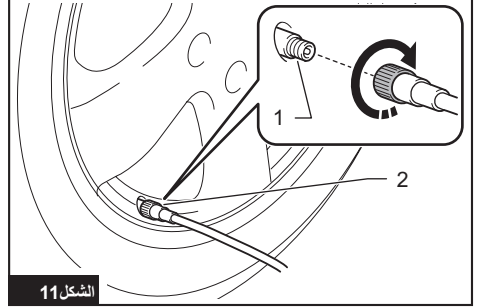
1. ماسك اللقمة الهوائي 2. إبرة كرة القدم

2. ركب إبرة كرة القدم في فتحة الكرة.
3. شغل الأداة.
4. اضبط وضع النفخ على وضع الكرة، واضبط قيمة الضغط المناسبة للكرة باستخدام مقياس الضغط.
5. استمر في سحب زناد التشغيل حتى تتوقف الأداة. يتم نفخ الكرة بقيمة الضغط المحددة.

إشعار: عند استخدام مهائى الصمام الإنجليزي، لا يعرض مقياس الضغط قيمة دقيقة، وهذا يرجع إلى خصائص الصمام. عند نفخ إطار، لا تستخدم القيمة المعروضة على مقياس الضغط، ولكن انفخه من خلال التحقق من حالة الإطار.
إذا توقفت الأداة قبل وصول الإطار إلى ضغط الهواء المطلوب، اضبط قيمة الضغط، ثم انفخ الإطار مجددًا.

استخدام مهائى الصمام الأمريكى

1. وصل ماسك اللقمة الهوائي بساق الصمام.



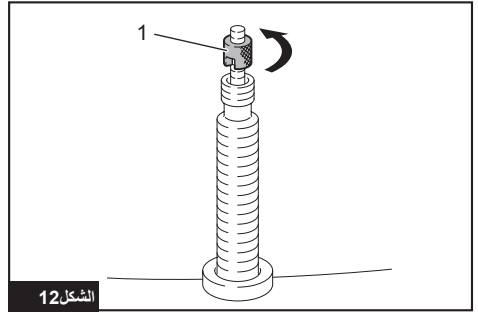
الشكل 11

1. ساق الصمام 2. ماسك اللقمة الهوائي

2. شغل الأداة، ثم اضبط قيمة الضغط المناسبة للإطار باستخدام مقياس الضغط.
3. استمر في سحب زناد التشغيل حتى تتوقف الأداة. يتم نفخ الإطار بقيمة الضغط المحددة.

استخدام مهائى صمام بريستا

1. قم بفتح صامولة القفل الموجودة على ساق الصمام.

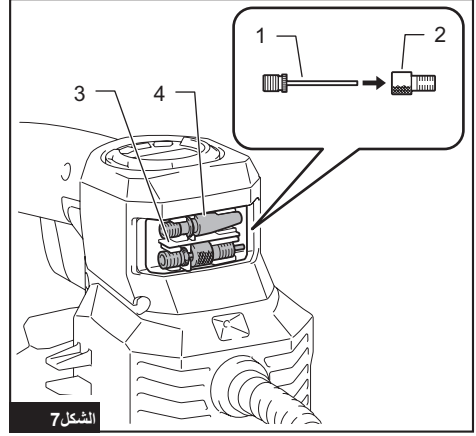


الشكل 12

1. صامولة القفل

مهائى التخزين

يمكن تخزين المهائيات في حامل المهائى بالأداة. ركب ابرة كرة القدم في مهائى صمام بريستا قبل توصيلها في حامل المهائى.

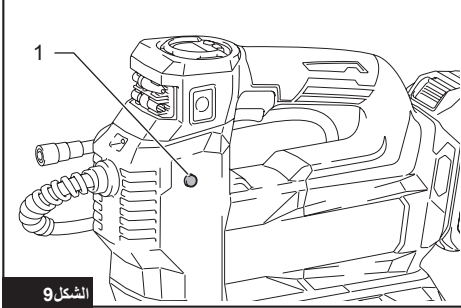


1. ابرة كرة القدم 2. مهائى صمام بريستا 3. حامل المهائى 4. المهائى المدبب

زر تنفيس الهواء

إشعار: أثناء توصيل مهائى الصمام الإنجليزي بالأداة، لا يخرج الهواء حتى عند الضغط على زر تنفيس الهواء.

عند نفخ شيء بشكل مفرط، اضغط على زر تنفيس الهواء لتنفيس الهواء.



الشكل 9

1. زر تنفيس الهواء

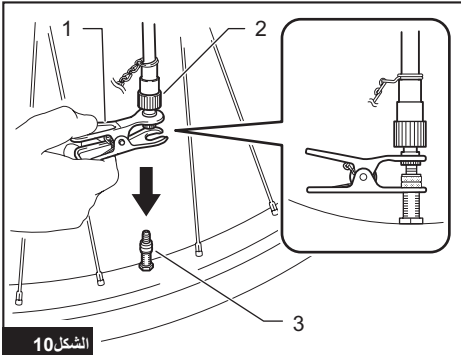
التشغيل

ملاحظة: تختلف المهائيات القياسية باختلاف البلد.

استخدام مهائى الصمام الإنجليزي

إشعار: احرص على تحديد وضع السرعة المنخفضة عند نفخ شيء باستخدام مهائى الصمام الإنجليزي. فقد يتعدى النفخ بشكل صحيح إذا تم تحديد وضع آخر.

1. ركب مهائى الصمام الإنجليزي في ماسك اللقمة الهوائي.
2. ركب مهائى الصمام الإنجليزي في ساق الصمام اثناء فتح مهائى الصمام الإنجليزي.



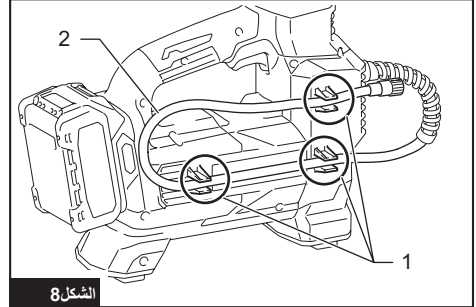
الشكل 10

1. مهائى الصمام الإنجليزي 2. ماسك اللقمة الهوائي 3. ساق الصمام

3. شغل الأداة.
4. انفخ العنصر من خلال تحريك زناد التشغيل وتحقق في الوقت ذاته من حالة الإطار.

تخزين الخرطوم

يمكن توصيل الخرطوم في حامل الخرطوم بالأداة.






الشكل 8

1. حامل الخرطوم 2. الخرطوم

ضبط وضع النفخ

اضغط على زر [M] لمدة 3 ثوان. يتغير وضع النفخ في كل مرة تضغط فيها مع الاستمرار على زر [M]. يمكنك تحديد أحد الأوضاع الثلاثة التالية.

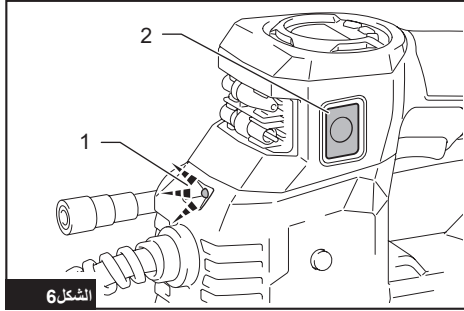
الوضع	شاشة العرض	الغرض	نطاق ضبط الضغط
كرة		لنفخ الكرات	110 kPa إلى 35 (16 PSI إلى 5)
السرعة المنخفضة		لنفخ الأشياء بسرعة منخفضة	1,110 kPa إلى 35 (161 PSI إلى 5)
السرعة المرتفعة		لنفخ الأشياء بسرعة عالية	

ملاحظة: احرص على تحديد وضع الكرة عند نفخ كرة باستخدام إبرة كرة القدم؛ فقد يتعثر النفخ بشكل صحيح إذا تم تحديد وضع آخر.

ملاحظة: احرص على تحديد وضع السرعة المنخفضة عند نفخ شيء باستخدام مهايئ الصمام الإنجليزي. فقد يتعثر النفخ بشكل صحيح إذا تم تحديد وضع آخر.

إضاءة المصباح الأمامي

عند تشغيل الأداة بالضغط على مفتاح التشغيل الرئيسي، تضيء المبات. عند إيقاف تشغيل الأداة بالضغط على مفتاح التشغيل الرئيسي، تنطفئ المبات.



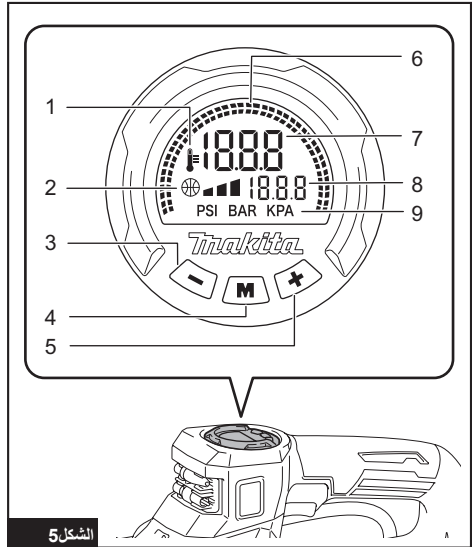
الشكل 6

1. المصباح، 2. مفتاح التشغيل الرئيسي

تنبيه: لا تنظر إلى المصباح أو مصدر الضوء مباشرة.

إشعار: يومض المصباح إذا ارتفعت حرارة الأداة بشدة. أوقف تشغيل الأداة، واتركها حتى تبرد تمامًا، قبل تشغيلها مرة أخرى.

ملاحظة: استخدم قطعة قماش جافة لمسح وتنظيف الجزء الزجاجي في المصباح. توغ الحذر حتى لا تخدش الجزء الزجاجي من المصباح وإلا فقد يقلل ذلك من شدة الإضاءة.



الشكل 5

1	أيقونة التحذير من ارتفاع الحرارة بشدة
2	وضع النفخ
3	زر [-]
4	زر [M]
5	زر [+]
6	مؤشر تقدم النفخ
7	قيمة الضغط الحالية
8	قيمة الضغط المستهدفة
9	وحدة قياس قيمة الضغط

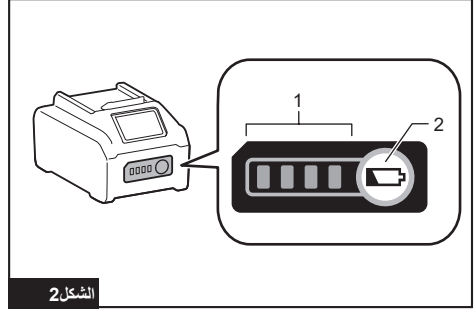
في حالة توصيل العنصر المطلوب نفخه بالأداة، يتم عرض القيمة الحالية لضغط العنصر على مقياس الضغط عندما تقوم بتشغيل الأداة. وإذا لم يتم توصيل أي شيء، فسيتم عرض القيمة "0" على مقياس الضغط. يعرض مقياس الضغط أيضًا قيمة الضغط المستهدفة ووحدة قياس قيمة الضغط ووضع النفخ. تظل هذه البيانات كما كانت في آخر مرة. وعندما تبدأ النفخ، يتم عرض مؤشر تقدم النفخ. تكتمل عملية النفخ بوصول مؤشر تقدم النفخ إلى الجانب الأيمن.

ضبط قيمة الضغط المستهدفة

اضغط على زر [M]، وحدد وحدة قياس قيمة الضغط. تتغير وحدة قياس قيمة الضغط في كل مرة تضغط فيها على زر [M]. يمكنك تحديد إحدى الوحدات الثلاثة التالية: PSI أو BAR أو KPA. لزيادة قيمة الضغط المستهدفة، اضغط على زر [+]. لخفض قيمة الضغط المستهدفة، اضغط على زر [-]. يمكنك ضبط قيمة الضغط المستهدفة على قيمة تتراوح بين 35 kPa (5 PSI) و1,110 kPa (161 PSI).

الإشارة إلى سعة شحن البطارية المتبقية

اضغط على زر الفحص الموجود بصندوق البطارية لعرض السعة المتبقية من شحن البطارية. تُضيء مصابيح المؤشر لوضع فوان.



الشكل 2

1. مصابيح المؤشر 2. زر الفحص

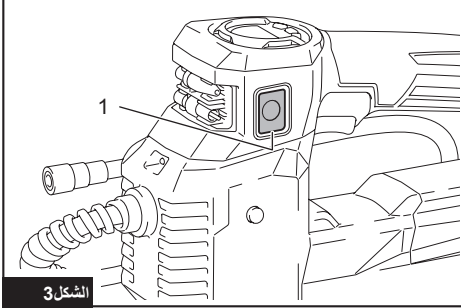
الحماية من فرط تفريغ الشحنات

يعمل نظام الحماية هذا عندما تنخفض سعة البطارية المتبقية. وفي هذه الحالة، أخرج البطارية من الأداة وقم بشحنها.

مفتاح التشغيل الرئيسي

تحذير: احرص دائماً على إيقاف تشغيل مفتاح التشغيل الرئيسي في حالة عدم استخدام الأداة.

تنبيه: عند حمل الأداة، أوقف تشغيل مفتاح التشغيل الرئيسي. وإلا، فقد يؤدي تحريك زناد التشغيل بدون قصد إلى وقوع إصابة.



الشكل 3

1. مفتاح التشغيل الرئيسي

لتشغيل الأداة، اضغط على مفتاح التشغيل الرئيسي. لإيقاف تشغيل الأداة، اضغط على مفتاح التشغيل الرئيسي مرة أخرى.

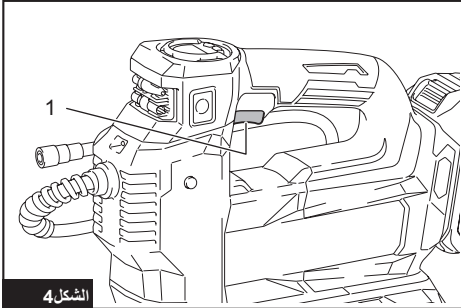
ملاحظة: هذه الأداة مزودة بوظيفة إيقاف التشغيل تلقائياً. وتجنب بدء التشغيل دون قصد، يقوم مفتاح التشغيل الرئيسي بإيقاف التشغيل تلقائياً في حالة عدم الضغط على زناد التشغيل لفترة زمنية معينة بعد تشغيل مفتاح التشغيل الرئيسي.

إجراءات التشغيل

تحذير: قبل تركيب صندوق البطارية في الأداة، تحقق دائماً من أن زناد التشغيل يعمل بطريقة صحيحة ومن رجوعه إلى وضع إيقاف التشغيل "OFF" عند تحريره.

تحذير: لا تلمس شريطاً، أو ما شابه، حتى يظل زناد التشغيل مضبوطاً على وضع التشغيل "ON".

ليبدء تشغيل الأداة، ما عليك سوى سحب زناد التشغيل. حرر زناد التشغيل للإيقاف.



الشكل 4

1. زناد التشغيل

السعة المتبقية	مصابيح المؤشر		
	واضئ	إيقاف التشغيل	مضيء
75% إلى 100%	■	■	■
50% إلى 75%	■	■	□
25% إلى 50%	■	□	□
0% إلى 25%	■	□	□
اشحن البطارية.	■	□	□
قد يكون بالبطارية خلل وظيفي.	■	□	□
	□	□	■

ملاحظة: قد تختلف الإشارة الدالة على سعة البطارية اختلافاً طفيفاً عن السعة الفعلية، وذلك اعتماداً على ظروف الاستخدام ودرجة حرارة البيئة المحيطة. **ملاحظة:** يومض مصباح المؤشر الأول (أقصى اليسار) عند تشغيل نظام حماية البطارية.

نظام حماية الأداة / البطارية

هذه الأداة مزودة بنظام حماية للأداة/البطارية. يقوم هذا النظام بفصل الطاقة تلقائياً لإطالة عمر الأداة والبطارية. وستتوقف هذه الأداة أوتوماتيكياً عن التشغيل إذا تم وضع الأداة أو البطارية في أحد الظروف التالية:

الحماية من الحمولة الزائدة

يعمل نظام الحماية هذا عند تشغيل الأداة/البطارية بطريقة تتسبب في سحب تيار مرتفع بشكل غير طبيعي. وفي هذه الحالة، أوقف تشغيل الأداة وأوقف المهمة التي تسببت في زيادة حمولة الأداة. وبعد ذلك، أعد تشغيل الأداة.

الحماية من زيادة السخونة

يعمل نظام الحماية هذا عند سخونة الأداة/البطارية بشكل زائد. يومض المصباح وتظهر أيقونة التحذير من ارتفاع الحرارة بشدة على مقياس الضغط. وفي هذه الحالة، أوقف تشغيل الأداة وانتظر حتى تبرد الأداة والبطارية. وبعد ذلك، أعد تشغيل الأداة مرة أخرى.

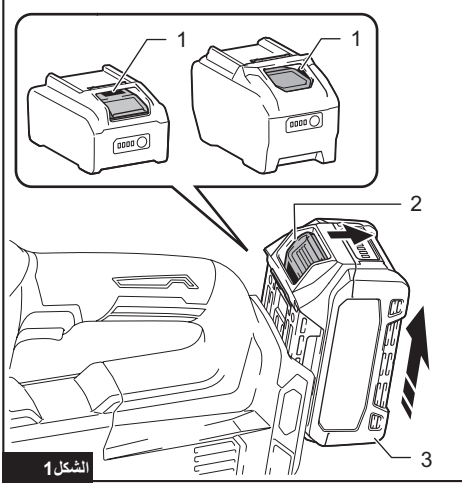
الوصف الوظيفي

تنبيه: تأكد دائماً من إيقاف تشغيل الأداة وإزالة صندوق البطارية قبل ضبط اي وظيفة بالأداة أو فحصها.

تركيب صندوق البطارية أو إزالته

تنبيه: أوقف دائماً تشغيل الأداة قبل تركيب صندوق البطارية أو إزالته.

تنبيه: أمسك الأداة وصندوق البطارية بإحكام عند تركيب صندوق البطارية أو إزالته. قد يؤدي عدم الإمساك بالأداة وصندوق البطارية بإحكام إلى انزلاقهما وسقوطهما من يدك مما يؤدي إلى تلف الأداة وصندوق البطارية ووقوع إصابة شخصية.



1. العلامة الحمراء 2. الزر 3. صندوق البطارية

لإزالة صندوق البطارية، حركه لإخراجه من الأداة أثناء تحريك الزر الموجود في مقدمة صندوق البطارية.

لتركيب صندوق البطارية، قم بمحاذاة اللسان الموجود في صندوق البطارية مع التجويف الموجود في المبيت ثم حركه لينزلق في مكانه. أدخل صندوق البطارية إلى نهاية المسار حتى يتم تثبيتها في مكانه مع صدور صوت طقطة بسيط. إذا كنت تستطيع رؤية العلامة الحمراء، كما في الشكل، فالبطارية لم يتم تثبيتها بإحكام.

تنبيه: قم دائماً بتركيب صندوق البطارية بالكامل حتى تتعثر رؤية العلامة الحمراء. وإذا لم يحدث ذلك، فقد يسقط فجأة خارج الأداة، مما يتسبب في إصابتك أو إصابة شخص بجوارك.

تنبيه: لا تقم بتركيب صندوق البطارية عنوة. إذا لم ينزلق صندوق البطارية بسهولة، فذلك يعني إدخاله بشكل خاطئ.

8. لا تقم بتعبق صندوق البطارية أو قطعه أو كسره أو قذفه أو إسقاطه أو الطرق بقسم صلب على صندوق البطارية. فقد يؤدي القيام بذلك إلى نشوب حريق أو تولد حرارة زائدة أو حدوث انفجار.
9. لا تستخدم بطارية تالفة.
10. تخضع بطاريات أيون الليثيوم المرفقة لمطالبات التشريع الخاصة بالبيضان الخطرة. فيما يتعلق بعمليات النقل التجارية، كالتي تجريها الجهات الخارجية أو وكلاء الشحن، يجب الالتزام بمطالبات خاصة بالتغليف والتصنيف. تجب استشارة خبير بالمواد الخطرة حال التحضير لشحن أي منها. يرجى كذلك مراعاة اللوائح المحلية التي قد تكون أكثر تفصيلاً. قم بتثبيت الوصلات المفتوحة وتغطيتها وتغليف البطارية بطريقة لا تسمح لها بالحركة داخل العبوة.
11. عند التخلص من صندوق البطارية، قم بإزالته من الأداة وتخلص منه في مكان آمن. اتبع القوانين المحلية المتعلقة بالتخلص من البطارية.
12. لا تستخدم سوى البطاريات المرفقة مع المنتجات التي تحددها Makita. فتركيب البطاريات بمنتجات غير متوافقة ربما يؤدي إلى نشوب حريق أو توليد حرارة زائدة أو حدوث انفجار أو تسرب الإلكترونيات.
13. في حالة عدم استخدام هذه الأداة لفترة زمنية طويلة، ينبغي إزالة البطارية منها.
14. أثناء الاستخدام وبعده، قد يتعرض صندوق البطارية للحرارة، الأمر الذي قد يؤدي إلى الإصابة بحروق أو حروق منخفضة الحرارة. توخ الحذر عند التعامل مع صندوق البطارية.
15. لا تلمس طرف الأداة عقب استخدامها؛ فربما تكون ساخنة بدرجة تؤدي إلى الإصابة بحروق.
16. لا تسمح بوصول للشظايا أو الغبار أو الأتربة الملتصقة بالأطراف والثقوب والتجاويف إلى صندوق البطارية. فقد يؤدي ذلك إلى ضعف الأداء أو تعطل الأداة أو صندوق البطارية.
17. إذا كانت الأداة لا تدعم الاستخدام بالقرب من خطوط الكهرباء ذات الفولطية العالية، فلا تستخدم صندوق البطارية بالقرب منها. فقد يؤدي ذلك إلى حدوث عطل أو تلف بالأداة أو صندوق البطارية.
18. احتفظ بالبطارية بعيداً عن متناول الأطفال.

احتفظ بهذه الإرشادات.

تنبيه: لا تستخدم سوى بطاريات Makita الأصلية، حيث أن استخدام بطاريات غير أصلية أو بطاريات معقدة قد ينتج عنه انفجار يتسبب في اندلاع حرائق وإصابات شخصية وتلف. وسيجوز ذلك دون استفاذتك من ضمان Makita الخاص بالأدوات والشواحن.

نصائح للحصول على أطول فترة تشغيل ممكنة للبطارية

1. اشحن صندوق البطارية قبل نفاذ شحنها تماماً. وأوقف دائماً تشغيل الأداة واشحن صندوق البطارية عند ملاحظة انخفاض طاقة الأداة.
2. تجنب إعادة شحن بطارية مشحونة تماماً. فقد يؤدي الشحن الزائد إلى تقصير فترة تشغيل البطارية.
3. اشحن صندوق البطارية في درجة حرارة الغرفة التي تتراوح من 10 درجات - 40 درجة مئوية. اترك صندوق البطارية الساخن يبرد قبل شحنها.
4. عند عدم استخدام صندوق البطارية، قم بإزالته من الأداة أو الشاحن.
5. اشحن صندوق البطارية إذا لم تكن ستستخدمه لفترة طويلة (أكثر من ستة أشهر).

تحذيرات السلامة

تحذيرات السلامة العامة عند استخدام الأداة الكهربائية

تحذير: اقرأ جميع تحذيرات السلامة والإرشادات والرسوم التوضيحية والموصفات الواردة مع هذه الأداة الكهربائية. فقد يؤدي عدم اتباع الإرشادات المدرجة أدناه إلى التعرض لصدمة كهربائية و/أو شتوب حريق و/أو التعرض لإصابة خطيرة.

احفظ بجميع التحذيرات والإرشادات للرجوع إليها مستقبلاً.

يشير مصطلح "أداة كهربائية" الوارد في التحذيرات إلى الأداة الكهربائية التي يتم تشغيلها من المصدر الرئيسي (بأسلاك) أو إلى الأداة الكهربائية التي تعمل ببطارية (بدون أسلاك).

السلامة في منطقة العمل

1. حافظ على منطقة العمل نظيفة وجيدة الإضاءة. فالمناطق غير المرئية والمظلمة أكثر عرضة لوقوع الحوادث.
2. تجنب تشغيل الأدوات الكهربائية في محيط قابل للانفجار، كالتشغيل في محيط يحتوي على سوائل أو غازات أو غبار قابل للاشتعال. حيث ينبعث من الأدوات الكهربائية شرر قد يؤدي إلى إشعال الغبار أو الأبخرة.
3. يجب أن يبتعد الأطفال والمترجمون عند تشغيل أداة كهربائية. فقد يؤدي تشتت الذهن إلى فقد السيطرة.

السلامة من الكهرباء

1. يجب أن تكون قوايس الأداة الكهربائية مناسبة لمأخذ التيار. لا تعدل القاييس مطلقاً بأية وسيلة. ولا تستخدم أية قوايس مهبائيات مع الأدوات الكهربائية الموضوعة. إذ تقلل القوايس غير المعدلة ومأخذ التيار المطابقة من خطر التعرض لصدمة كهربائية.
2. تجنب ملامسة الجسم للأسطح الموضوعة مثل الأنابيب والرادياتير والمواقف والتلجالات. حيث تزيد خطورة التعرض لصدمة كهربائية إذا كان جسمك ملامساً للأرضية.
3. تجنب تعرض الأدوات الكهربائية لظروف مطر أو بلل. إذ قد يزيد دخول المياه إلى الأداة الكهربائية من خطر حدوث صدمة كهربائية.
4. لا تسيء استخدام السلك. فلا تستخدمه مطلقاً في حمل الأداة الكهربائية أو سحبها أو فصل القاييس الخاص بها. بل احفظه بعيداً عن الحرارة أو الزيت أو الحواف الحادة أو الأجزاء المتحركة. قد تزيد الأسلاك التالفة أو المتشابكة من خطر حدوث صدمة كهربائية.
5. عند تشغيل الأداة الكهربائية خارج المبنى، استخدم سلك تطويل ملائماً للاستخدام خارج المبنى. حيث يقلل استعمال سلك ملائم للاستعمال خارج المبنى من خطر حدوث صدمة كهربائية.
6. إذا اضطرت لتشغيل الأداة الكهربائية في موقع رطب، فاستخدم مصدر إمداد طاقة محمي بأداة تعمل بالتيار المتبقي. لأن استخدام أداة تعمل بالتيار المتبقي يقلل من خطر حدوث صدمة كهربائية.
7. قد يتولد عن الأدوات الكهربائية حقول كهرومغناطيسية (EMF) تلحق ضرراً بالمستخدم. ورغم ذلك يجب أن يستشير مستخدمو منظمات ضربات القلب والأجهزة الطبية المشابهة الأخرى الجهة المصنعة و/أو الطبيب قبل تشغيل هذه الأداة الكهربائية.

السلامة الجسدية

1. كن يقظاً وراقب ما تفعل واستعن بقدرتك على التمييز عند تشغيل الأداة الكهربائية. ولا تستخدم الأداة الكهربائية عندما تكون متعباً أو تحت تأثير أي مخدر أو كحول أو دواء. فقد تؤدي غفلك للحظة واحدة أثناء تشغيل الأداة الكهربائية إلى التعرض لإصابة جسدية خطيرة.
2. استخدم معدات الوقاية الجسدية. وارتد دوماً وقياً للعينين. وثق أن معدات الوقاية كقناع الغبار أو أحذية الأمان مانعة الانزلاق أو الخوذة أو سماعات الأذن الواقية المستعملة في الظروف الملائمة مستقل من التعرض للإصابات الجسدية.
3. تجنب بدء التشغيل غير المقصود. تأكد من أن المفتاح في وضع إيقاف التشغيل قبل التوصيل بمصدر الإمداد بالطاقة و/أو البطارية، وذلك عند رفع الأداة أو حملها. إذ قد يتسبب حمل الأدوات الكهربائية مع وضع إصبعك على مفتاح التشغيل أو أثناء إمداد تلك الأدوات بالطاقة في وقوع حوادث.

4. انزع أي مفتاح ضبط أو ربط قبل تشغيل الأداة الكهربائية. فقد تنتج إصابة جسدية عن ترك مفتاح الربط أو أي مفتاح آخر مرفقاً بالجزء الدوار من الأداة الكهربائية.

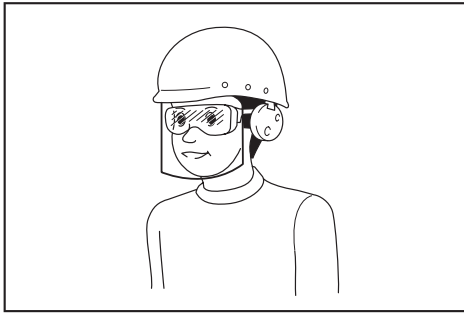
5. لا تمر فوق الأداة. احفظ توازنك وقدميك في وضعية مناسبة طوال الوقت. حيث يتيح لك ذلك السيطرة على الأداة الكهربائية بصورة أفضل في المواقف غير المتوقعة.

6. ارتد ملابس ملائمة. تجنب ارتداء الملابس الواسعة أو الخلى. حافظ على إبعاد شعرك وملابسك عن الأجزاء المتحركة. فقد تعلق ملابسك الواسعة أو خليك أو الشعر الطويل بتلك الأجزاء المتحركة.

7. إذا كانت الأجهزة معدة للاتصال بوسائل استخراج الغبار وتجميعها، فتأكد من توصيلها بها واستخدامها بشكل ملائم. حيث يقلل تجميع الغبار من المخاطر التي قد تنتج بسببها.

8. لا تتجاهل قواعد السلامة ولا تعتمد على معرفتك بالأدوات نتيجة استعمالها بشكل متكرر أن تكون عوضاً عن الالتزام بها؛ فقد يتسبب الإهمال في التعرض لإصابة بالغة في جزء من الثانية.

9. احرص على ارتداء نظارات واقية لحماية العينين من الإصابة عند استخدام الأدوات الكهربائية. ويجب أن تتوافق النظارات الواقية مع ANSI Z87.1 في الولايات المتحدة الأمريكية أو EN 166 في أوروبا و AS/NZS 1336 في أستراليا/نيوزيلندا. في أستراليا/نيوزيلندا، يلزم أيضاً قانونياً ارتداء درع وجه لحماية الوجه.



يتحمل صاحب العمل مسؤولية فرض استخدام أجهزة الوقاية على مشغلي الأداة وأي أشخاص آخرين في منطقة العمل القريبة.

استخدام الأدوات الكهربائية والغالبية بها

1. لا تعرض الأداة الكهربائية للضغط. استخدم الأداة الكهربائية المناسبة للعرض المطلوب. إذ يؤدي استخدام الأداة الكهربائية المناسبة إلى تنفيذ المهمة بصورة أفضل وأكثر أمناً، بالمستوى الذي صممت من أجله.
2. لا تستخدم الأداة الكهربائية إذا لم تستطع تشغيلها أو إيقافها باستخدام المفتاح. فأي أداة كهربائية لا يتم التحكم فيها من خلال المفتاح تمثل خطورة ويجب إصلاحها.
3. أفضل القاييس الموصل من مصدر إمداد الطاقة و/أو أزل مجموعة البطارية من الأداة الكهربائية، إن كانت قابلة للفصل، قبل إجراء أي تعديلات أو تغييرات في ملحقات الأدوات الكهربائية أو تخزينها؛ حيث تعمل إجراءات السلامة الوقائية هذه على الحد من خطورة بدء التشغيل غير المقصود للأداة الكهربائية.
4. خزن الأدوات الكهربائية المتوقفة عن العمل بعيداً عن متناول الأطفال، ولا تسمح لغير المتمرسين في التعامل مع الأداة الكهربائية أو الذين لم يتلقوا على تلك الإرشادات بتشغيل الأداة الكهربائية. فالأدوات الكهربائية تمثل خطورة عندما تقع في أيدي مستخدمين غير مدربين.
5. احرص على صيانة الأدوات الكهربائية والملحقات. وافحص الأداة الكهربائية بحثاً عن أي خطأ في مادة الأجزاء المتحركة أو انتفاها، أو كسر أجزاء أو أية ظروف أخرى قد تؤثر على تشغيل الأداة الكهربائية. وفي حالة تلف الأداة الكهربائية، يجب إصلاحها قبل الاستخدام. إذ تحدث العديد من الحوادث بسبب ضعف صيانة الأدوات الكهربائية.
6. احفظ بالأدوات القطع حادة ونظيفة. نقل احتمالية انتفاها أدوات القطع المزودة بحواف قطع حادة كما يسهل استعمالها. حال صيانتها بشكل ملائم.

المواصفات

الطراز:	MP001G	
الطول الكلي	مع BL4025	320 mm
مع BL4040	329 mm	
الحد الأقصى لضغط الهواء		1,110 kPa
دورة التشغيل		10 دقائق تشغيل / 5 دقائق إيقاف تشغيل
الجهد الكهربائي المندر		36 V - 40 V بحد أقصى D.C.
الوزن الصافي		2.9 - 3.5 kg

- نظرًا لما يقدمه برنامج البحث والتطوير لدينا بشكل مستمر، فإن المواصفات الواردة في هذا الدليل عرضة للتغيير دون إخطار.
- قد تختلف المواصفات وصندوق البطارية من بلد لآخر.
- قد يختلف الوزن وفقًا للملحق (الملحقات)، بما في ذلك صندوق البطارية. أخف تركيبة وأثقلها، حسب المعيار EPTA-Procedure 01/2014، موضحة في الجدول.

صندوق البطارية والشاحن الملائمان

لبلدان غير كوريا وتايوان

صندوق البطارية	BL4050F / BL4040 / BL4025 / BL4020
الشاحن	DC40RC / DC40RB / DC40RA

- بعض صناديق البطارية وأجهزة الشحن المذكورة أعلاه ربما لا تكون متوفرة بناءً على المنطقة التي تقيم بها.

تحذير: لا تستخدم إلا صناديق البطارية والشواحن المذكورة أعلاه. فقد يؤدي استخدام أي صناديق بطارية وشواحن أخرى إلى وقوع إصابة و/أو نشوب حريق.	
---	--

لتايوان

صندوق البطارية	BL4040 / BL4025
الشاحن	DC40RA

- بعض صناديق البطارية وأجهزة الشحن المذكورة أعلاه ربما لا تكون متوفرة بناءً على المنطقة التي تقيم بها.

تحذير: لا تستخدم إلا صناديق البطارية والشواحن المذكورة أعلاه. فقد يؤدي استخدام أي صناديق بطارية وشواحن أخرى إلى وقوع إصابة و/أو نشوب حريق.	
---	--

لكوريا

صندوق البطارية	BL4040 / BL4025
الشاحن	DC40RA

- بعض صناديق البطارية وأجهزة الشحن المذكورة أعلاه ربما لا تكون متوفرة بناءً على المنطقة التي تقيم بها.

تحذير: لا تستخدم إلا صناديق البطارية والشواحن المذكورة أعلاه. فقد يؤدي استخدام أي صناديق بطارية وشواحن أخرى إلى وقوع إصابة و/أو نشوب حريق.	
---	--

الرموز

فيما يلي عرض للرموز التي يمكن استخدامها مع هذا الجهاز. فتأكد من فهم معناها قبل الاستعمال.

اقرأ دليل الإرشادات.



خطر الانفجار.



Ni-MH
Li-Ion



خاص بدول الاتحاد الأوروبي فقط
بسبب وجود مكونات خطيرة في المعدات، قد يكون لنفايات المعدات الكهربائية والإلكترونية والمراكمات والبطاريات تأثير سلبي على البيئة وصحة الإنسان.
ولا تتخلص من الأجهزة الكهربائية والإلكترونية أو البطاريات مع النفايات المنزلية!
وفقًا للتوجيه الأوروبي حول نفايات المعدات الكهربائية والإلكترونية والإلكترونية والمراكمات والبطاريات وتوافقها مع القانون الوطني، يجب تجميع نفايات المعدات الكهربائية والإلكترونية والبطاريات والمراكمات على نحو منفصل وتسليمها إلى نقطة تجميع نفايات البلدية، التي تعمل وفقًا للوائح حماية البيئة. ويُشار إلى هذا برمز سلة ذات عجلات عليها علامة X موضوعة على المعدات.

الاستعمال المقصود

هذه الأداة مخصصة لفتح الإطارات أو كرة القدم أو العوامات الصغيرة.

Makita Corporation
3-11-8, Sumiyoshi-cho,
Anjo, Aichi 446-8502 Japan
www.makita.com

MP001G-
10L(NON-CE)-2105
EN, PTBR, ID,
MS, VI, TH, ZHCN,
ZHTW, KO, AR
20210318