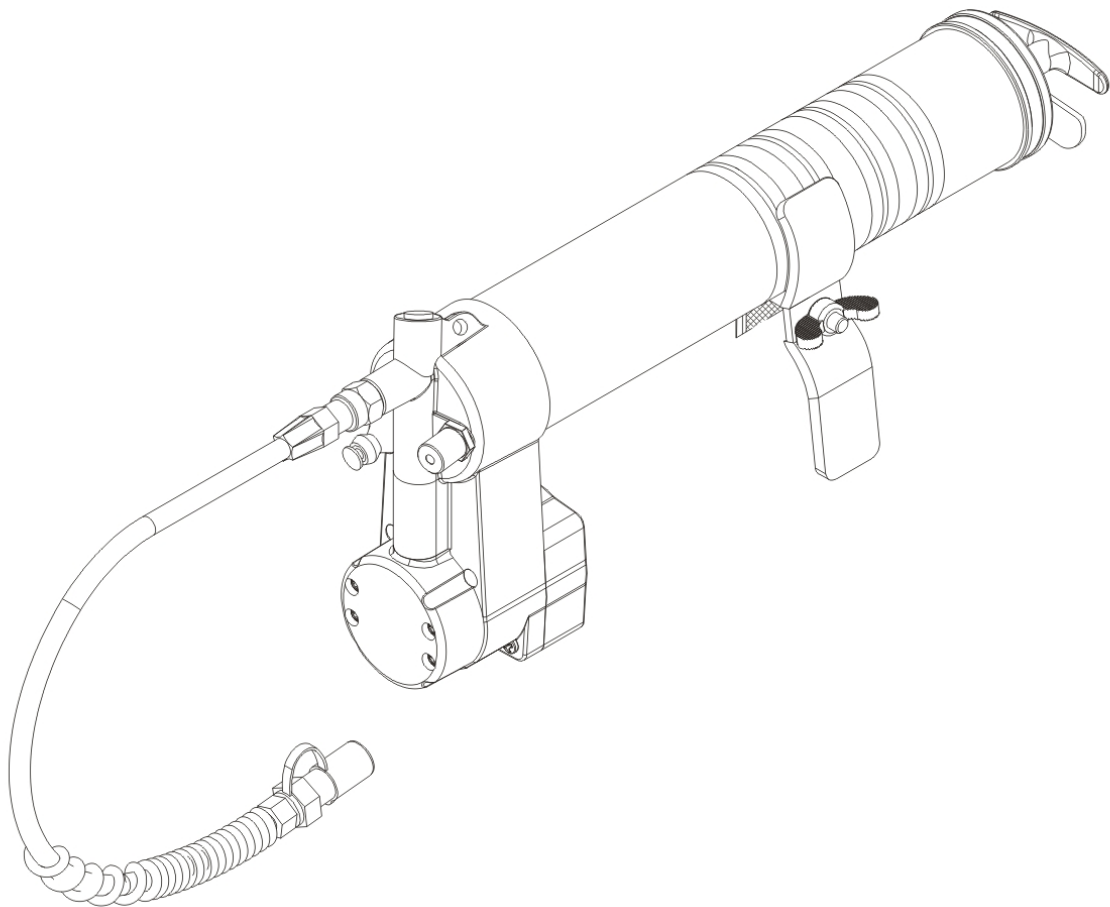




# Grease Gun Attachment

---



## Instruction Manual

**APPLICABLE POWER TOOLS (Cordless or Electric)**  
**(Power Tool Not Included)**



3/8" or 1/2" Driver Drill

**Figure 1**



3/8" or 1/2" Hammer-Driver Drill

**Figure 2**



1/4" Impact Driver

**Figure 3**



1/2" Square Drive Impact Wrench  
(Adapter Required - Not Included)

**Figure 4**



Holder  
(Adjusts to fit power tools with a body  
diameter of 1-1/2" - 3")

**Figure 5**

## SPECIFICATIONS

Model	Grease Container Tube Capacity	Loading Methods	Grease Hose Length	Drive Shank	Recommended Working Pressure	Max. Rated Pressure
Grease Gun Attachment	14 oz. (400 c.c.)	Grease Cartridge, Bulk, Bulk Dispenser	18" (45.7 cm)	1/4" Hex Shank	4,000 PSI	8,000 PSI (+/- 500 PSI)

**Pressure Vent Protector** – If the internal pressure is overloaded (Max. Rated Pressure = 8,000 PSI (+/- 500PSI)), the Pressure Vent Protector automatically releases overloaded pressure to prevent personal injury and damage to Grease Gun Attachment.



### CAUTION

**DO NOT adjust the Pressure Vent Protector. It is factory set to the appropriate 8,000 PSI (+/- 500 PSI) limit and should not be adjusted or modified**

- Due to our continuing program of research and development, the specifications herein are subject to change without notice.

## General Power Tool Safety



**WARNING Read all safety warnings and all instructions.** Failure to follow the warnings and instructions may result in serious personal injury or damage to property.

### Save all warnings and instructions for future reference.

The term “power tool” in the warnings refers to your corded (electric) or cordless (battery operated) power tool.

### Work Area Safety

1. **Keep work area clean and well lit.** Cluttered or dark areas invite accidents.
2. **Do not operate power tools in explosive atmospheres, such as in the presence of flammable liquids, gases or dust.** Power tools create sparks which may ignite the dust or fumes.
3. **Keep children and bystanders away while operating a power tool.** Distractions can cause you to lose control.

### Electrical Safety

4. **Power tool plugs must match the outlet. Never modify the plug in any way. Do not use any adapter plugs with earthed (grounded) power tools.** Unmodified plugs and matching outlets will reduce risk of electric shock.
5. **Avoid body contact with earthed or grounded surfaces such as pipes, radiators, ranges and refrigerators.** There is an increased risk of electric shock if your body is earthed or grounded.

6. **Do not expose power tools to rain or wet conditions.** Water entering a power tool will increase the risk of electric shock.
7. **Do not abuse the cord. Never use the cord for carrying, pulling or unplugging the power tool. Keep cord away from heat, oil, sharp edges or moving parts.** Damaged or entangled cords increase the risk of electric shock.
8. **When operating a power tool outdoors, use an extension cord suitable for outdoor use.** The use of a cord suitable for outdoor use reduces the risk of electric shock.
9. **If operating a power tool in a damp location is unavoidable, use a ground fault circuit interrupter (GFCI) protected electrical supply.** Use of a GFCI reduces the risk of electric shock.

## Personal Safety

10. **Stay alert, watch what you are doing and use common sense when operating a power tool. Do not use a power tool while you are tired or under the influence of drugs, alcohol or medication.** A moment of inattention while operating power tools may result in serious personal injury.
11. **Use personal protective equipment. Always wear eye protection.** Protective equipment such as a dust mask, non-skid safety shoes, hard hat or hearing protection used for the appropriate conditions will reduce personal injuries.
12. **Prevent unintentional starting. Ensure the switch is in the off-position before connecting to the power source and/or battery pack, picking up or carrying the tool.** Carrying power tools with your finger on the switch or energizing power tools that have the switch on invites accidents.
13. **Remove any adjusting key or wrench before turning the power tool on.** A wrench or key left attached to a rotating part of the power tool may result in personal injury.
14. **Do not overreach. Keep proper footing and balance at all times.** This enables you to maintain better control over the power tool in unexpected situations.
15. **Dress properly. Do not wear loose clothing or jewelry. Keep your hair, clothing and gloves away from moving parts.** Loose clothes, jewelry or long hair can be caught in moving parts.
16. **If devices are provided for the connection of dust extraction and collection facilities, ensure these are properly connected and properly used.** Use of dust collection can reduce dust-related hazards.

## Power Tool Use and Care

17. **Do not force the power tool. Use the correct power tool for your application.** The correct power tool will do the job better and safer at the rate for which it was designed.
18. **Do not use the power tool if the switch does not turn it on and off.** Any power tool that cannot be controlled with the switch is dangerous and must be repaired.
19. **Disconnect the plug from the power source and/or the battery pack from the power tool before making any adjustments, changing accessories, or storing power tools.** Such preventative safety measures reduce the risk of starting the power tool accidentally.

20. **Store idle power tools out of the reach of children and do not allow persons unfamiliar with the power tool or these instructions to operate the power tool.** Power tools are dangerous in the hands of untrained users.
21. **Maintain power tools. Check for misalignment or binding of moving parts, breakage of parts and any other condition that may affect the power tools operation. If damaged, have the power tool repaired before use.** Many accidents are caused by poorly maintained power tools.
22. **Keep cutting tools sharp and clean.** Properly maintained cutting tools with sharp cutting edges are less likely to bind and are easier to control.
23. **Use the power tool, accessories and tool bits, etc. in accordance with these instructions, taking into account the working conditions and the work to be performed.** Use of the power tool for operations different from those intended could result in a hazardous situation.

### **Cordless Tool Use and Care**

24. **Recharge only with the charger specified by the manufacturer.** A charger that is suitable for one type of battery pack may create a risk of fire when used with another battery pack.
25. **Use power tools only with specifically designated battery packs.** Use of any other battery packs may create a risk of injury and fire.
26. **When the battery pack is not in use, keep it away from other metal objects like paper clips, coins, keys, nails, screws or other small metal objects that can make a connection from one terminal to another.** Shorting the battery terminals together may cause burns or a fire.
27. **Under abusive conditions, liquid may be ejected from the battery; avoid contact. If contact accidentally occurs, flush with water. If liquid contacts eyes, seek medical help immediately.** Liquid ejected from the battery may cause irritation or burns.

### **Service**

28. **Have your power tool serviced by a qualified repair person using only identical replacement parts.** This will ensure that the safety of the power tool is maintained.
29. **Follow instructions for lubricating and changing accessories.**
30. **Keep handles dry, clean and free from oil and grease.**

### **Grease Gun Attachment Safety Instructions**

1. **Do not operate the Grease Gun Attachment until you have read and understood all safety instructions contained in the instruction manual for the Grease Gun Attachment and the power tool with which it is to be operated.**
2. **The Grease Gun Attachment is a device capable of producing high pressure and is rated up to 8,000 PSI (+/- 500 PSI). The typical working load for this attachment**

is **4,000 PSI**. Misuse or misapplication of this attachment can cause component rupture, fire or explosion and can result in serious bodily injury or damage to property.

3. **Any pressurized system is only as strong as its weakest component. Never exceed the maximum working pressure of the lower rated component in the system.** Check and tighten all connections, fittings and hoses regularly. A worn or damaged hose can rupture, causing serious bodily injury or damage to property.
4. **Always wear safety glasses or eye shields when operating the Grease Gun Attachment.**
5. **Always install the Grease Hose securely.** A loose spout is dangerous and can come loose during operation.
6. **Never place hands or other body parts near the outlet of the Grease Gun Attachment during operation. Hold the Grease Gun Attachment by its handle only. Do not hold the Grease Hose during operation.**
7. **Release the trigger of the power tool when the grease fitting is full.** Running the power tool continuously can cause the motor to overheat and may cause motor or mechanical damage or personal injury.

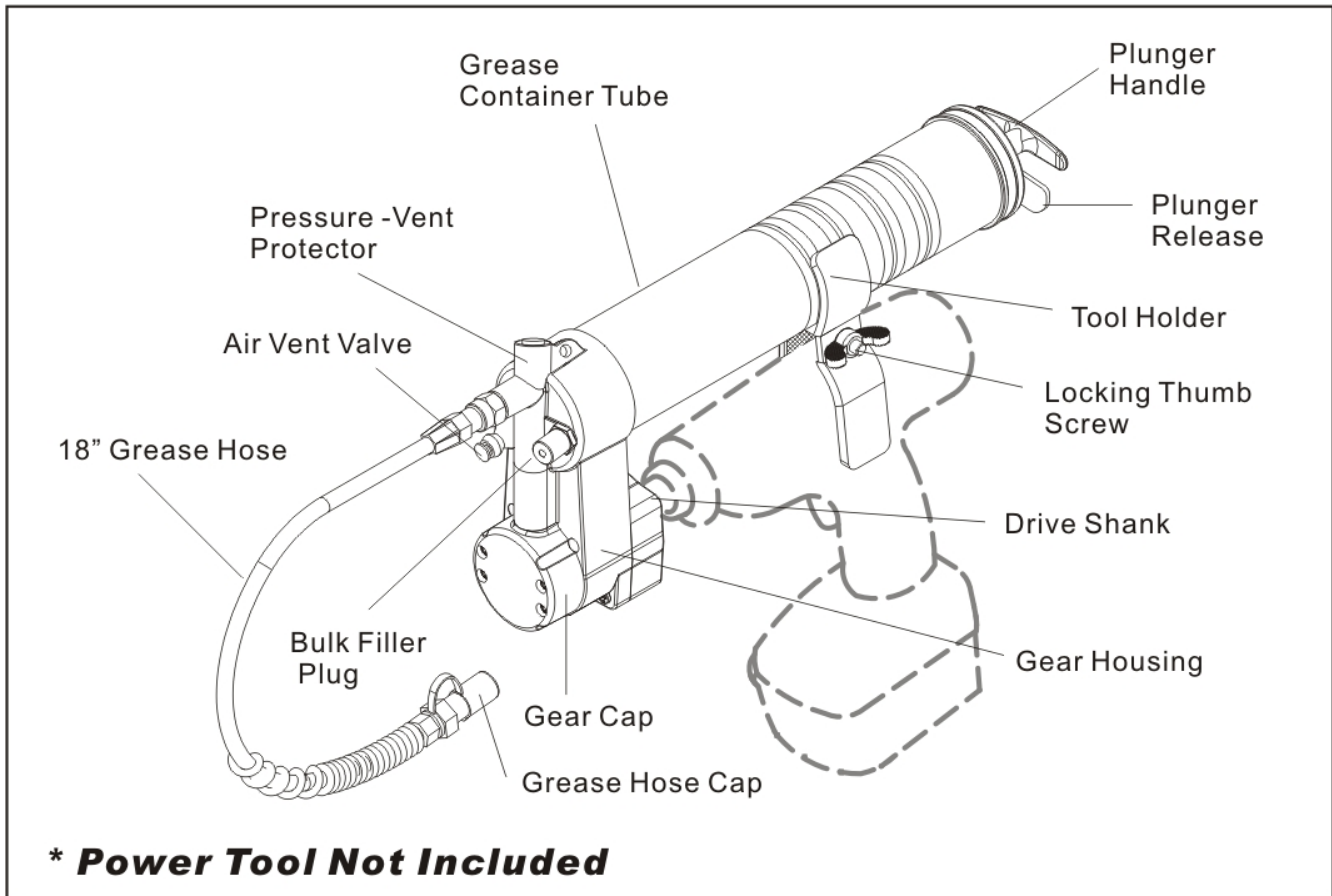
## **SAVE THESE INSTRUCTIONS.**



### **WARNING:**

**DO NOT** let comfort or familiarity with this product (gained from repeated use) replace strict adherence to safety rules for the subject product. **MISUSE** or failure to follow the safety rules stated in this instruction manual may cause serious personal injury.

## ASSEMBLY AND OPERATION



## FUNCTIONAL DESCRIPTION



### CAUTION:

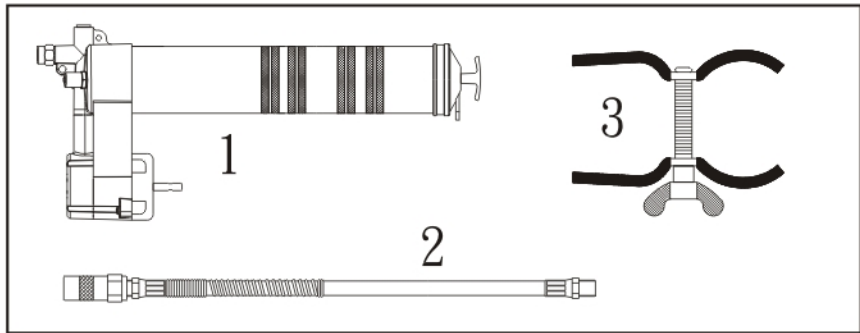
Always ensure that the tool is switched off and unplugged or the battery pack is removed from the tool before adjusting or checking the function of the tool.

## CONTENTS OF EQUIPMENT

### Box Pack :

1. Grease Gun Attachment
2. 18" High Pressure Nylon Hose
3. Tool Holder

**\* Power Tool Not Included**



## Assembly Instructions

1. Unscrew the Grease Container Tube from the Gear Housing.
2. Insert the drive shank into the chuck of the drill. The end of the drive shank should be positioned approximately ¼" (6.35 mm) away from the bottom of the chuck.
3. Retract the Plunger to its full extent.
4. After removing the plastic cap from the grease cartridge, insert it into the Grease Container Tube with the open end towards the Plunger. The lip of the grease cartridge should be furthest away from the Plunger. If loading via bulk or bulk dispenser methods, refer to "Alternate Loading Instructions".
5. Peel away the exposed metal cover and screw the Grease Container Tube tightly onto the Gear Housing
6. Loosen the Locking Thumb Screw on the Tool Holder until the proper clearance has been attained based on the width of your drill.
7. Place the Tool Holder onto the Grease Container Tube and drill until it is properly positioned. When it is in the proper position, tighten the Locking Thumb Screw securely.
8. Assemble the Grease Hose onto the Gear Housing and ensure that the Grease Hose Cap is secured to prevent grease leakage.
9. Depress the Plunger Release and push the Plunger Handle forward.

## Alternate Loading Instructions (Bulk & Bulk Dispenser)

### Bulk Loading

1. Unscrew the Grease Container Tube from the Gear Housing
2. Retract the Plunger to its full extent
3. Using a scoop, spoon, etc., fill the empty Grease Container Tube with bulk grease.
4. Screw the Grease Container Tube tightly onto the Gear Housing.
5. Loosen the Locking Thumb Screw on the Tool Holder until the proper clearance has been attained based on the width of your drill.
6. Place the Tool Holder onto the Grease Container Tube and drill until it is properly positioned. When it is in the proper position, tighten the Locking Thumb Screw securely.



7. Assemble the Grease Hose onto the Gear Housing and ensure that the Grease Hose Cap is secured to prevent grease leakage.
8. Depress the Plunger Release and push the Plunger Handle forward.

## **Bulk Dispenser**

1. Loosen the Locking Thumb Screw on the Tool Holder until the proper clearance has been attained based on the width of your drill.
2. Place the Tool Holder onto the Grease Container Tube and drill until it is properly positioned. When it is in the proper position, tighten the Locking Thumb Screw securely.
3. Assemble the Grease Hose onto the Gear Housing and ensure that the Grease Hose Cap is secured to prevent grease leakage.
4. Remove the Bulk Filler Plug located at the front of the Gear Housing. Insert the Bulk Dispenser Fitting into the Bulk Filler and fill the Grease Container Tube to capacity. When the Grease Container Tube has been filled to capacity, secure the Bulk Filler Plug onto the Grease Housing.
5. Depress the Plunger Release and push the Plunger Handle forward.

## **Priming Instructions**

1. Air pockets inside the Grease Container Tube can cause the Grease Gun Attachment to lose its prime.
2. Unscrew Grease Container Tube 1-2 turns.
3. Retract the Plunger to its full extent, depress the Plunger Release and push the Plunger Handle forwards. Repeat several times. This will cause the Rubber Plunger to expel the air pockets from the Grease Container Tube.
4. Tighten the Grease Container Tube to secure it to the Gear Housing.

## **OPERATING INSTRUCTIONS**



### **CAUTION:**

**The Grease Gun Attachment should only be operated in FORWARD mode.**



### **CAUTION:**

**The Grease Gun Attachment should never be used in HAMMER mode. Operate only in Drill, Drive or Impact modes.**

1. Follow the Assembly and Priming Instructions listed above.
2. Press the Air Vent Valve 3-4 times in order to remove any air that may be trapped inside.
3. Remove the hose cap and insert the spout of the grease hose onto the fitting to be greased.
4. Depress the trigger to begin operation.

5. The revving sounds of the motor approximately indicate the number of grease “pumps” that have been released into the fitting.
6. When the fitting has been adequately greased, release the trigger and affix the hose cap to the end of the hose.

## Unloading Instructions

1. To unload a grease cartridge, unscrew the Grease Container Tube from the Gear Housing.
2. Retract the Plunger Handle to its full extent.
3. Depress the Plunger Release and slowly allow the Plunger to move forwards. This will push the empty grease cartridge out of the Grease Container Tube. Repeat as necessary.

## OPTIONAL ACCESSORIES



### CAUTION:

**These accessories or attachments are recommended for use with your Grease Gun Attachment as specified in this manual. The use of any other accessories or attachments might present a risk of personal injury. Only use the accessories or attachments for their stated purposes.**

**If you require any assistance or for more details regarding these accessories or attachments, contact your local Makita Canada Inc. Factory Service Center.**

- 12” Grease Hose **(T-01812)**
- 18” Grease Hose **(T-01828)**
- 24” Grease Hose **(T-01834)**
- Safety Glasses **(MKP020)**
- Work Gloves **(MK401-9 / MK401-10 / MK402-9 / MK402-10 / MK402-11)**
- Hearing Protection **(HB 25 / T-01644)**
- 14” Tool Bag **(821010-X)**
- 21” Tool Bag **(821007X)**

### NOTE:

Some items on this list may be included as standard accessories

## TROUBLESHOOTING

<b>Problem</b>	<b>Grease is not expelled from the Grease Hose (Tool is running OK)</b>
<b>Possible Cause</b>	<ul style="list-style-type: none"> <li>• There is an air pocket inside the Grease Container Tube</li> </ul>
<b>Remedies</b>	<ul style="list-style-type: none"> <li>• Follow the Priming Instructions to ensure that all air has been expelled from the Grease Container Tube</li> </ul>

<b>Problem</b>	<b>The Plunger cannot enter the Grease Cartridge</b>
<b>Possible Cause</b>	<ul style="list-style-type: none"> <li>• The Grease Cartridge is not of the applicable size</li> <li>• The end of the Grease Cartridge is damaged</li> </ul>
<b>Remedies</b>	<ul style="list-style-type: none"> <li>• Check to ensure that the size of the Grease Cartridge conforms to the specifications of the Grease Gun Attachment</li> <li>• Apply grease to the Plunger and the end of the Grease Container Tube to help the Plunger to easily enter the tube</li> <li>• Ensure that the ends of the Grease Cartridge are not damaged or folded and remain in a rounded shape</li> <li>• Remove used Grease Cartridges from the Grease Container Tube when loading bulk grease</li> </ul>

<b>Problem</b>	<b>Grease is leaking from the Grease Container Tube</b>
<b>Possible Cause</b>	<ul style="list-style-type: none"> <li>• The Grease Container Tube is not properly secured</li> </ul>
<b>Remedies</b>	<ul style="list-style-type: none"> <li>• Tighten the Grease Container Tube to the Gear Housing using a wrench to ensure that it is properly secured</li> <li>• Check other parts, e.g. Grease Hose to ensure that they are properly secured</li> </ul>