



**Cordless Fan**  
**DCF102** 18V / AC  
**CF101D** 12V max / AC



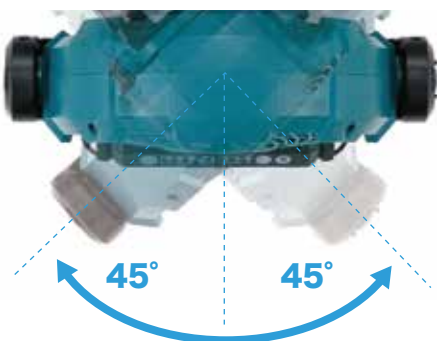
# Automatic Swing Fan



Photo : DCF102

Max wind speed **180** m/min

Automatically Swings 45° L/R



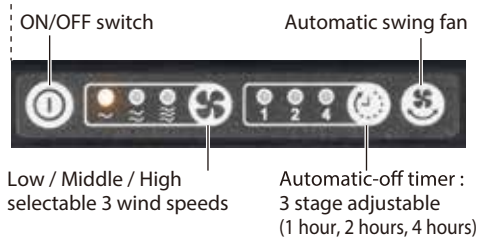
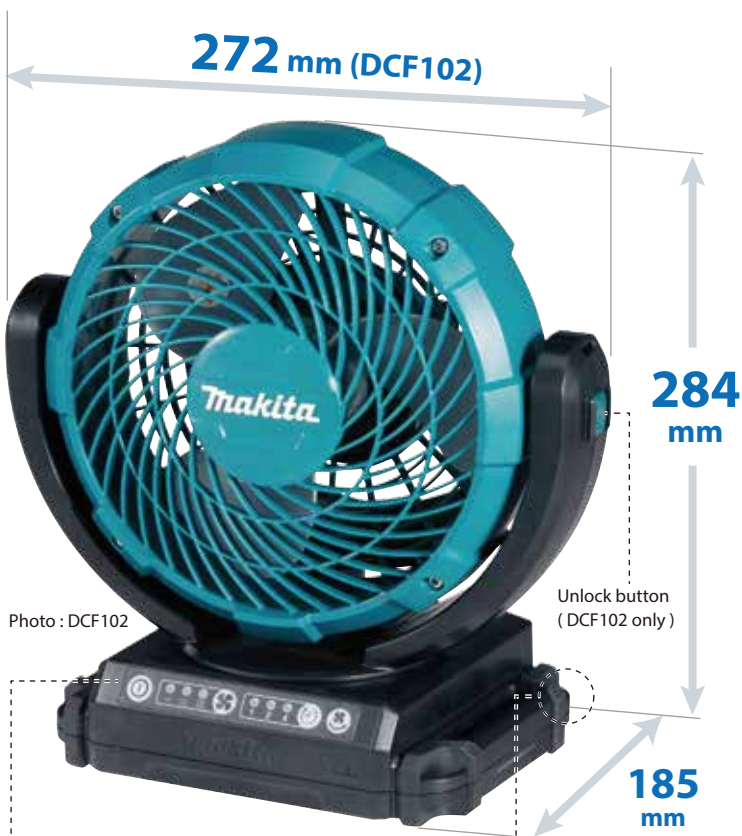
DCF102



CF101D



# Compact size allows installation even in tight spaces



**Fan**  
ø **180 mm**

**Max wind speed**  
**180 m/min**

### Tripods



Part Number: TK00LM1001



Part Number: TK00LM4001



Part Number: TK00LM5030

### Automatic swing fan



- 3 settings (High 180 m/s, Medium 150 m/s, Low 120 m/s) for optimal air velocity control
- Very compact but 180 mm (7-1/8") Large fan produces strong enough air flow.

### Fan tilts up/ down

Fan head angle can be adjusted from side to side and up and down



### Adjustable handle



Can be mounted on some tripods

### Run time (approx): min.

\*with Battery fuel gauge

DCF102			CF101D		
*BL1830B 18V 3.0Ah *BL1850B 18V 5.0Ah *BL1860B 18V 6.0Ah			BL1016 12V max 1.5Ah *BL1041B 12V max 4.0Ah *BL1021B 12V max 2.0Ah		
<b>Low</b>	<b>Medium</b>	<b>High</b>	<b>Low</b>	<b>Medium</b>	<b>High</b>
<b>1270</b>	<b>705</b>	<b>575</b>	<b>630</b>	<b>380</b>	<b>275</b>

## Cordless Fan DCF102 18V / AC / CF101D 12V max / AC

	DCF102	CF101D
Electronic 3-Speed		
<b>Max Continuous Use (min.)</b>	w/ BL1860B : Low / Medium / High : 1270 / 705 / 575	w/ BL1041B : Low / Medium / High : 630 / 380 / 275
<b>Dimensions (L x W x H)</b>	185x272x284 mm (7-1/4"x10-3/10"x11-1/8")	185x260x284 mm (7-1/4"x10-1/4"x11-1/8")
<b>Net weight</b>	1.3 - 2.0 kg (2.9 - 4.4 lbs.)	1.3 - 1.7 kg (2.8 - 3.8 lbs.)

**Makita Singapore Pte Ltd**  
 7, Changi South Street 3, Singapore 486348  
 Phone : +65-6546-8700 Fax : +65-6546-8711  
 Email : msgproductteam@makita.com.sg  
 Website : www.makita.com.sg  
 Facebook : www.facebook.com/MakitaSG



VISIT OUR WEBSITE