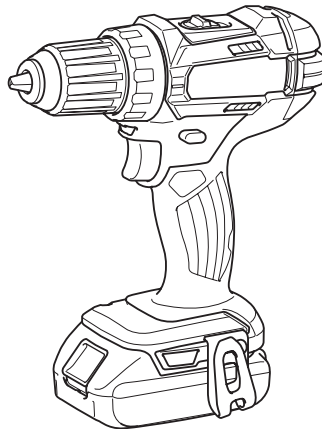




EN	Cordless Driver Drill	INSTRUCTION MANUAL	5
ZHCN	充电式起子电钻	使用说明书	12
ID	Bor Obeng Tanpa Kabel	PETUNJUK PENGGUNAAN	19
VI	Máy Khoan Và Vặn Vít Cầm Tay Hoạt Động Bằng Pin	TÀI LIỆU HƯỚNG DẪN	27
TH	สว่านไขควงแบบไร้สาย	คู่มือการใช้งาน	34

DDF482



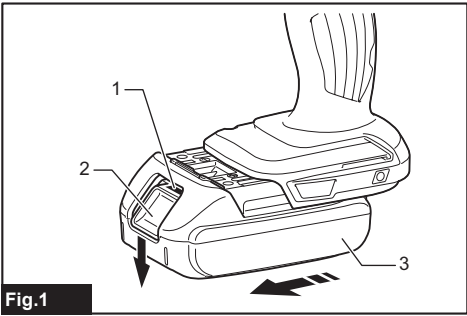


Fig.1

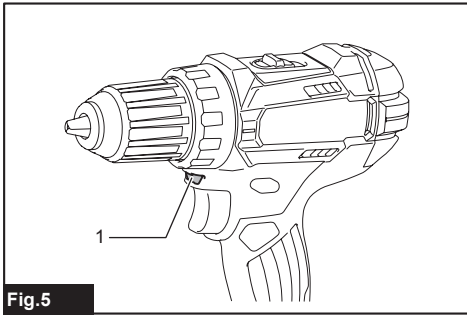


Fig.5

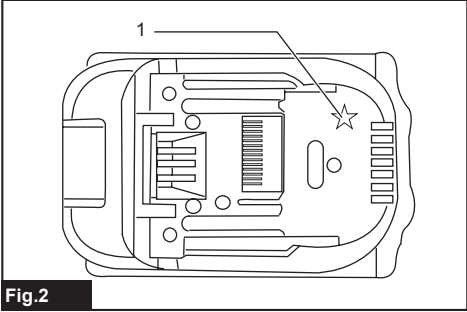


Fig.2

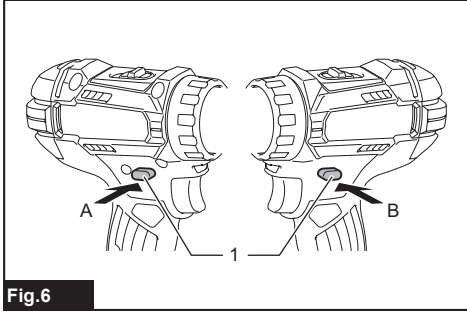


Fig.6

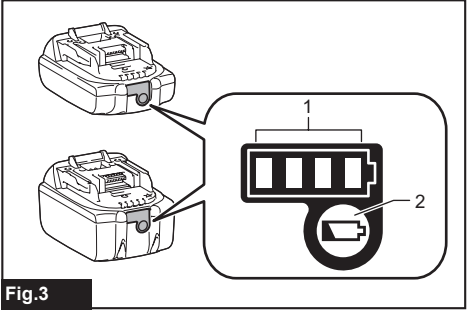


Fig.3

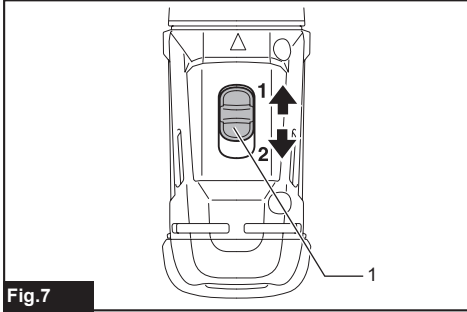


Fig.7

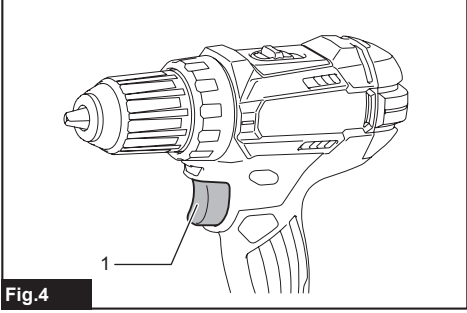


Fig.4

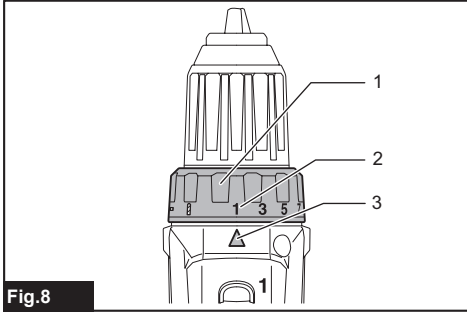


Fig.8

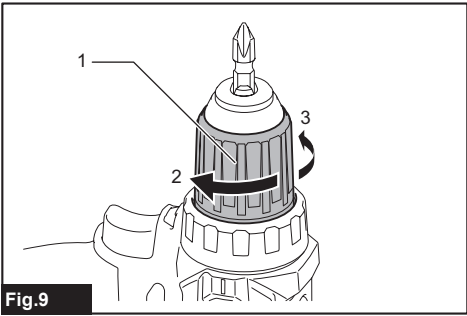


Fig.9

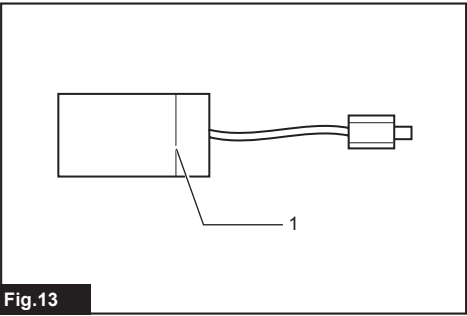


Fig.13

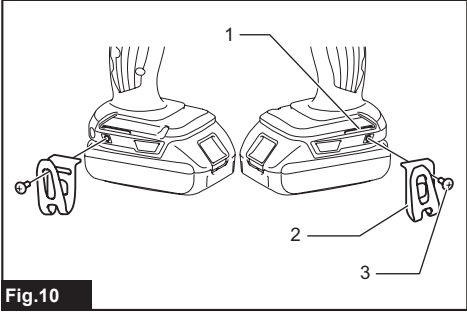


Fig.10

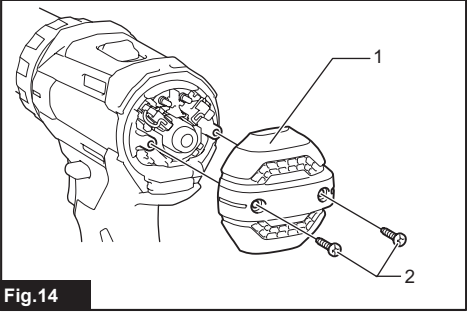


Fig.14

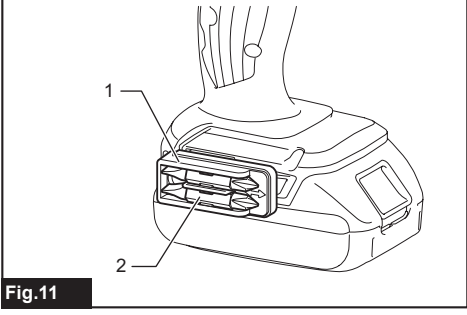


Fig.11

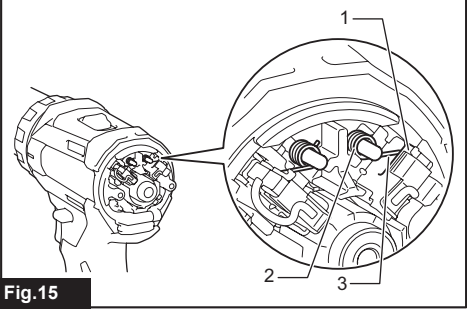


Fig.15

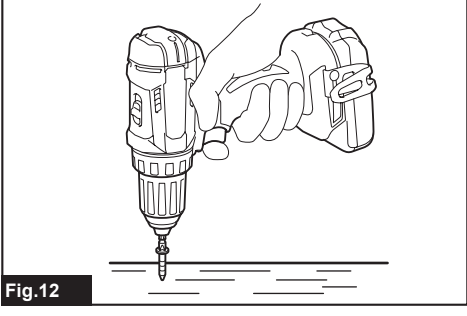


Fig.12

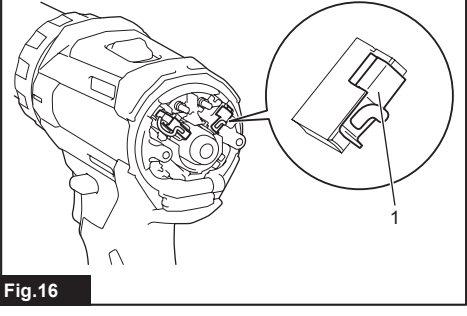
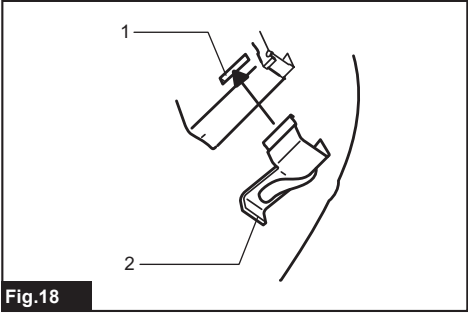
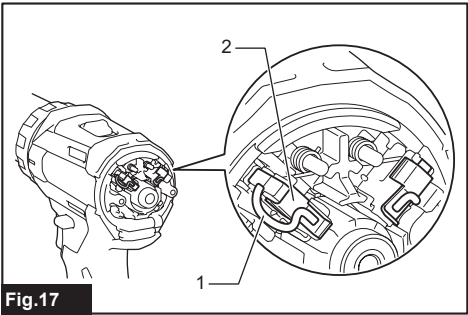


Fig.16



SPECIFICATIONS

Model:		DDF482
Drilling capacities	Steel	13 mm
	Wood	38 mm
Fastening capacities	Wood screw	10 mm x 90 mm
	Machine screw	M6
No load speed	High (2)	0 - 1,900 min ⁻¹
	Low (1)	0 - 600 min ⁻¹
Overall length	185 mm	
Rated voltage	D.C. 18 V	
Battery cartridge	BL1815N, BL1820, BL1820B	BL1830, BL1840, BL1850, BL1830B, BL1840B, BL1850B, BL1860B
Net weight	1.5 kg	1.7 kg

- Due to our continuing program of research and development, the specifications herein are subject to change without notice.
- Specifications and battery cartridge may differ from country to country.
- Weight, with battery cartridge, according to EPTA-Procedure 01/2003

Symbols

The followings show the symbols used for the equipment. Be sure that you understand their meaning before use.



Read instruction manual.



Only for EU countries
Do not dispose of electric equipment or battery pack together with household waste material!
In observance of the European Directives, on Waste Electric and Electronic Equipment and Batteries and Accumulators and Waste Batteries and Accumulators and their implementation in accordance with national laws, electric equipment and batteries and battery pack(s) that have reached the end of their life must be collected separately and returned to an environmentally compatible recycling facility.

Intended use

The tool is intended for drilling and screw driving in wood, metal and plastic.

General power tool safety warnings

⚠ WARNING: Read all safety warnings and all instructions. Failure to follow the warnings and instructions may result in electric shock, fire and/or serious injury.

Save all warnings and instructions for future reference.

The term “power tool” in the warnings refers to your mains-operated (corded) power tool or battery-operated (cordless) power tool.

Work area safety

1. **Keep work area clean and well lit.** Cluttered or dark areas invite accidents.
2. **Do not operate power tools in explosive atmospheres, such as in the presence of flammable liquids, gases or dust.** Power tools create sparks which may ignite the dust or fumes.
3. **Keep children and bystanders away while operating a power tool.** Distractions can cause you to lose control.

Electrical Safety

1. **Power tool plugs must match the outlet. Never modify the plug in any way. Do not use any adapter plugs with earthed (grounded) power tools.** Unmodified plugs and matching outlets will reduce risk of electric shock.
2. **Avoid body contact with earthed or grounded surfaces, such as pipes, radiators, ranges and refrigerators.** There is an increased risk of electric shock if your body is earthed or grounded.
3. **Do not expose power tools to rain or wet conditions.** Water entering a power tool will increase the risk of electric shock.
4. **Do not abuse the cord. Never use the cord for carrying, pulling or unplugging the power tool. Keep cord away from heat, oil, sharp edges or moving parts.** Damaged or entangled cords increase the risk of electric shock.
5. **When operating a power tool outdoors, use an extension cord suitable for outdoor use.** Use of a cord suitable for outdoor use reduces the risk of electric shock.

6. **If operating a power tool in a damp location is unavoidable, use a residual current device (RCD) protected supply.** Use of an RCD reduces the risk of electric shock.

Personal Safety

1. **Stay alert, watch what you are doing and use common sense when operating a power tool. Do not use a power tool while you are tired or under the influence of drugs, alcohol or medication.** A moment of inattention while operating power tools may result in serious personal injury.
2. **Use personal protective equipment. Always wear eye protection.** Protective equipment such as a dust mask, non-skid safety shoes, hard hat or hearing protection used for appropriate conditions will reduce personal injuries.
3. **Prevent unintentional starting. Ensure the switch is in the off-position before connecting to power source and/or battery pack, picking up or carrying the tool.** Carrying power tools with your finger on the switch or energising power tools that have the switch on invites accidents.
4. **Remove any adjusting key or wrench before turning the power tool on.** A wrench or a key left attached to a rotating part of the power tool may result in personal injury.
5. **Do not overreach. Keep proper footing and balance at all times.** This enables better control of the power tool in unexpected situations.
6. **Dress properly. Do not wear loose clothing or jewellery. Keep your hair, clothing, and gloves away from moving parts.** Loose clothes, jewellery or long hair can be caught in moving parts.
7. **If devices are provided for the connection of dust extraction and collection facilities, ensure these are connected and properly used.** Use of dust collection can reduce dust-related hazards.

Power tool use and care

1. **Do not force the power tool. Use the correct power tool for your application.** The correct power tool will do the job better and safer at the rate for which it was designed.
2. **Do not use the power tool if the switch does not turn it on and off.** Any power tool that cannot be controlled with the switch is dangerous and must be repaired.
3. **Disconnect the plug from the power source and/or the battery pack from the power tool before making any adjustments, changing accessories, or storing power tools.** Such preventive safety measures reduce the risk of starting the power tool accidentally.
4. **Store idle power tools out of the reach of children and do not allow persons unfamiliar with the power tool or these instructions to operate the power tool.** Power tools are dangerous in the hands of untrained users.
5. **Maintain power tools. Check for misalignment or binding of moving parts, breakage of parts and any other condition that may affect the power tool's operation. If damaged, have the power tool repaired before use.** Many accidents are caused by poorly maintained power tools.

6. **Keep cutting tools sharp and clean.** Properly maintained cutting tools with sharp cutting edges are less likely to bind and are easier to control.
7. **Use the power tool, accessories and tool bits etc. in accordance with these instructions, taking into account the working conditions and the work to be performed.** Use of the power tool for operations different from those intended could result in a hazardous situation.

Battery tool use and care

1. **Recharge only with the charger specified by the manufacturer.** A charger that is suitable for one type of battery pack may create a risk of fire when used with another battery pack.
2. **Use power tools only with specifically designated battery packs.** Use of any other battery packs may create a risk of injury and fire.
3. **When battery pack is not in use, keep it away from other metal objects, like paper clips, coins, keys, nails, screws or other small metal objects, that can make a connection from one terminal to another.** Shorting the battery terminals together may cause burns or a fire.
4. **Under abusive conditions, liquid may be ejected from the battery; avoid contact. If contact accidentally occurs, flush with water. If liquid contacts eyes, additionally seek medical help.** Liquid ejected from the battery may cause irritation or burns.

Service

1. **Have your power tool serviced by a qualified repair person using only identical replacement parts.** This will ensure that the safety of the power tool is maintained.
2. **Follow instruction for lubricating and changing accessories.**
3. **Keep handles dry, clean and free from oil and grease.**

Cordless driver drill safety warnings

1. **Use auxiliary handle(s), if supplied with the tool.** Loss of control can cause personal injury.
2. **Hold power tool by insulated gripping surfaces, when performing an operation where the cutting accessory may contact hidden wiring.** Cutting accessory contacting a "live" wire may make exposed metal parts of the power tool "live" and could give the operator an electric shock.
3. **Hold power tool by insulated gripping surfaces, when performing an operation where the fastener may contact hidden wiring.** Fasteners contacting a "live" wire may make exposed metal parts of the power tool "live" and could give the operator an electric shock.
4. **Always be sure you have a firm footing. Be sure no one is below when using the tool in high locations.**
5. **Hold the tool firmly.**
6. **Keep hands away from rotating parts.**
7. **Do not leave the tool running. Operate the tool only when hand-held.**

8. Do not touch the drill bit or the workpiece immediately after operation; they may be extremely hot and could burn your skin.
9. Some material contains chemicals which may be toxic. Take caution to prevent dust inhalation and skin contact. Follow material supplier safety data.
10. If the drill bit cannot be loosened even you open the jaws, use pliers to pull it out. In such a case, pulling out the drill bit by hand may result in injury by its sharp edge.
10. The contained lithium-ion batteries are subject to the Dangerous Goods Legislation requirements.
For commercial transports e.g. by third parties, forwarding agents, special requirement on packaging and labeling must be observed.
For preparation of the item being shipped, consulting an expert for hazardous material is required. Please also observe possibly more detailed national regulations.
Tape or mask off open contacts and pack up the battery in such a manner that it cannot move around in the packaging.

SAVE THESE INSTRUCTIONS.

⚠WARNING: DO NOT let comfort or familiarity with product (gained from repeated use) replace strict adherence to safety rules for the subject product. MISUSE or failure to follow the safety rules stated in this instruction manual may cause serious personal injury.

Important safety instructions for battery cartridge

1. Before using battery cartridge, read all instructions and cautionary markings on (1) battery charger, (2) battery, and (3) product using battery.
2. Do not disassemble battery cartridge.
3. If operating time has become excessively shorter, stop operating immediately. It may result in a risk of overheating, possible burns and even an explosion.
4. If electrolyte gets into your eyes, rinse them out with clear water and seek medical attention right away. It may result in loss of your eyesight.
5. Do not short the battery cartridge:
 - (1) Do not touch the terminals with any conductive material.
 - (2) Avoid storing battery cartridge in a container with other metal objects such as nails, coins, etc.
 - (3) Do not expose battery cartridge to water or rain.

A battery short can cause a large current flow, overheating, possible burns and even a breakdown.

6. Do not store the tool and battery cartridge in locations where the temperature may reach or exceed 50 °C (122 °F).
7. Do not incinerate the battery cartridge even if it is severely damaged or is completely worn out. The battery cartridge can explode in a fire.
8. Be careful not to drop or strike battery.
9. Do not use a damaged battery.

11. Follow your local regulations relating to disposal of battery.
12. Use the batteries only with the products specified by Makita. Installing the batteries to non-compliant products may result in a fire, excessive heat, explosion, or leak of electrolyte.

SAVE THESE INSTRUCTIONS.

⚠CAUTION: Only use genuine Makita batteries. Use of non-genuine Makita batteries, or batteries that have been altered, may result in the battery bursting causing fires, personal injury and damage. It will also void the Makita warranty for the Makita tool and charger.

Tips for maintaining maximum battery life

1. Charge the battery cartridge before completely discharged. Always stop tool operation and charge the battery cartridge when you notice less tool power.
2. Never recharge a fully charged battery cartridge. Overcharging shortens the battery service life.
3. Charge the battery cartridge with room temperature at 10 °C - 40 °C (50 °F - 104 °F). Let a hot battery cartridge cool down before charging it.
4. Charge the battery cartridge if you do not use it for a long period (more than six months).

FUNCTIONAL DESCRIPTION

CAUTION: Always be sure that the tool is switched off and the battery cartridge is removed before adjusting or checking function on the tool.

Installing or removing battery cartridge

CAUTION: Always switch off the tool before installing or removing of the battery cartridge.

CAUTION: Hold the tool and the battery cartridge firmly when installing or removing battery cartridge. Failure to hold the tool and the battery cartridge firmly may cause them to slip off your hands and result in damage to the tool and battery cartridge and a personal injury.

► Fig.1: 1. Red indicator 2. Button 3. Battery cartridge

To remove the battery cartridge, slide it from the tool while sliding the button on the front of the cartridge.

To install the battery cartridge, align the tongue on the battery cartridge with the groove in the housing and slip it into place. Insert it all the way until it locks in place with a little click. If you can see the red indicator on the upper side of the button, it is not locked completely.

CAUTION: Always install the battery cartridge fully until the red indicator cannot be seen. If not, it may accidentally fall out of the tool, causing injury to you or someone around you.

CAUTION: Do not install the battery cartridge forcibly. If the cartridge does not slide in easily, it is not being inserted correctly.

Battery protection system

Lithium-ion battery with star marking

► Fig.2: 1. Star marking

Lithium-ion batteries with a star marking are equipped with a protection system. This system automatically cuts off power to the tool to extend battery life.

The tool will automatically stop during operation if the tool and/or battery are placed under one of the following conditions:

Overloaded:

The tool is operated in a manner that causes it to draw an abnormally high current.

In this situation, turn the tool off and stop the application that caused the tool to become overloaded. Then turn the tool on to restart.

If the tool does not start, the battery is overheated. In this situation, let the battery cool before turning the tool on again.

Low battery voltage:

The remaining battery capacity is too low and the tool will not operate. In this situation, remove and recharge the battery.

Indicating the remaining battery capacity

Only for battery cartridges with the indicator

► Fig.3: 1. Indicator lamps 2. Check button

Press the check button on the battery cartridge to indicate the remaining battery capacity. The indicator lamps light up for a few seconds.

Indicator lamps			Remaining capacity
Lighted	Off	Blinking	
■ ■ ■ ■			75% to 100%
■ ■ ■ □			50% to 75%
■ ■ □ □			25% to 50%
■ □ □ □			0% to 25%
▣ □ □ □			Charge the battery.
■ ■ □ □			The battery may have malfunctioned.
□ □ ■ ■			

NOTE: Depending on the conditions of use and the ambient temperature, the indication may differ slightly from the actual capacity.

Switch action

► Fig.4: 1. Switch trigger

CAUTION: Before installing the battery cartridge into the tool, always check to see that the switch trigger actuates properly and returns to the "OFF" position when released.

To start the tool, simply pull the switch trigger. Tool speed is increased by increasing pressure on the switch trigger. Release the switch trigger to stop.

Lighting up the front lamp

► Fig.5: 1. Lamp

CAUTION: Do not look in the light or see the source of light directly.

Pull the switch trigger to light up the lamp. The lamp keeps on lighting while the switch trigger is being pulled. The lamp goes out 10 -15 seconds after releasing the trigger.

NOTE: Use a dry cloth to wipe the dirt off the lens of the lamp. Be careful not to scratch the lens of lamp, or it may lower the illumination.

Reversing switch action

► Fig.6: 1. Reversing switch lever

⚠ CAUTION: Always check the direction of rotation before operation.

⚠ CAUTION: Use the reversing switch only after the tool comes to a complete stop. Changing the direction of rotation before the tool stops may damage the tool.

⚠ CAUTION: When not operating the tool, always set the reversing switch lever to the neutral position.

This tool has a reversing switch to change the direction of rotation. Depress the reversing switch lever from the A side for clockwise rotation or from the B side for counterclockwise rotation.

When the reversing switch lever is in the neutral position, the switch trigger cannot be pulled.

Speed change

► Fig.7: 1. Speed change lever

⚠ CAUTION: Always set the speed change lever fully to the correct position. If you operate the tool with the speed change lever positioned halfway between the "1" side and "2" side, the tool may be damaged.

⚠ CAUTION: Do not use the speed change lever while the tool is running. The tool may be damaged.



Position of speed change lever	Speed	Torque	Applicable operation
1	Low	High	Heavy loading operation
2	High	Low	Light loading operation

To change the speed, switch off the tool first. Select the "2" side for high speed or "1" for low speed but high torque. Be sure that the speed change lever is set to the correct position before operation.

If the tool speed is coming down extremely during the operation with "2", slide the lever to the "1" and restart the operation.

Adjusting the fastening torque

► Fig.8: 1. Adjusting ring 2. Graduation 3. Arrow

The fastening torque can be adjusted in 22 levels by turning the adjusting ring. Align the graduations with the arrow on the tool body. You can get the minimum fastening torque at 1 and maximum torque at  marking. The clutch will slip at various torque levels when set at the number 1 to 21. The clutch does not work at the  marking.

Before actual operation, drive a trial screw into your material or a piece of duplicate material to determine which torque level is required for a particular application.

The following shows the rough guide of the relationship between the screw size and graduation.

Graduation		1	2	3	4	5	6	7	8	9	10	11	12	13	14	15	16	17	18	19	20	21
Machine screw		M4					M5					M6										
Wood screw	Soft wood (e.g. pine)	-					φ3.5 x 22					φ4.1 x 38										
	Hard wood (e.g. lauan)	-					φ3.5 x 22					φ4.1 x 38										

ASSEMBLY

⚠ CAUTION: Always be sure that the tool is switched off and the battery cartridge is removed before carrying out any work on the tool.

Installing or removing driver bit/drill bit

► Fig.9: 1. Sleeve 2. Close 3. Open

Turn the sleeve counterclockwise to open the chuck jaws. Place the driver bit/drill bit in the chuck as far as it will go. Turn the sleeve clockwise to tighten the chuck. To remove the driver bit/drill bit, turn the sleeve counterclockwise.

Installing hook

⚠ CAUTION: When installing the hook, always secure it with the screw firmly. If not, the hook may come off from the tool and result in the personal injury.

► Fig.10: 1. Groove 2. Hook 3. Screw

The hook is convenient for temporarily hanging the tool. This can be installed on either side of the tool. To install the hook, insert it into a groove in the tool housing on either side and then secure it with a screw. To remove, loosen the screw and then take it out.

Installing driver bit holder

Optional accessory

► Fig.11: 1. Driver bit holder 2. Driver bit

Fit the driver bit holder into the protrusion at the tool foot on either right or left side and secure it with a screw. When not using the driver bit, keep it in the driver bit holders. Driver bits 45 mm-long can be kept there.

OPERATION

CAUTION: Always insert the battery cartridge all the way until it locks in place. If you can see the red indicator on the upper side of the button, it is not locked completely. Insert it fully until the red indicator cannot be seen. If not, it may accidentally fall out of the tool, causing injury to you or someone around you.

CAUTION: When the speed comes down extremely, reduce the load or stop the tool to avoid the tool damage.

Hold the tool firmly with one hand on the grip and the other hand on the bottom of the battery cartridge to control the twisting action.

► Fig.12

Screwdriving operation


CAUTION: Adjust the adjusting ring to the proper torque level for your work.

CAUTION: Make sure that the driver bit is inserted straight in the screw head, or the screw and/or driver bit may be damaged.

Place the point of the driver bit in the screw head and apply pressure to the tool. Start the tool slowly and then increase the speed gradually. Release the switch trigger as soon as the clutch cuts in.

NOTE: When driving wood screw, pre-drill a pilot hole 2/3 the diameter of the screw. It makes driving easier and prevents splitting of the workpiece.

Drilling operation

First, turn the adjusting ring so that the arrow points to the  marking. Then proceed as follows.

Drilling in wood

When drilling in wood, the best results are obtained with wood drills equipped with a guide screw. The guide screw makes drilling easier by pulling the drill bit into the workpiece.

Drilling in metal

To prevent the drill bit from slipping when starting a hole, make an indentation with a center-punch and hammer at the point to be drilled. Place the point of the drill bit in the indentation and start drilling.

Use a cutting lubricant when drilling metals. The exceptions are iron and brass which should be drilled dry.

CAUTION: Pressing excessively on the tool will not speed up the drilling. In fact, this excessive pressure will only serve to damage the tip of your drill bit, decrease the tool performance and shorten the service life of the tool.

CAUTION: Hold the tool firmly and exert care when the drill bit begins to break through the workpiece. There is a tremendous force exerted on the tool/drill bit at the time of hole break through.

CAUTION: A stuck drill bit can be removed simply by setting the reversing switch to reverse rotation in order to back out. However, the tool may back out abruptly if you do not hold it firmly.

CAUTION: Always secure workpieces in a vise or similar hold-down device.

CAUTION: If the tool is operated continuously until the battery cartridge has discharged, allow the tool to rest for 15 minutes before proceeding with a fresh battery.

MAINTENANCE

CAUTION: Always be sure that the tool is switched off and the battery cartridge is removed before attempting to perform inspection or maintenance.

NOTICE: Never use gasoline, benzine, thinner, alcohol or the like. Discoloration, deformation or cracks may result.

Replacing carbon brushes

► Fig.13: 1. Limit mark

Check the carbon brushes regularly. Replace them when they wear down to the limit mark. Keep the carbon brushes clean and free to slip in the holders. Both carbon brushes should be replaced at the same time. Use only identical carbon brushes.

1. Use a screwdriver to remove two screws then remove the rear cover.

► Fig.14: 1. Rear cover 2. Screw

2. Raise the arm part of the spring and then place it in the recessed part of the housing with a slotted bit screwdriver of slender shaft or the like.

► Fig.15: 1. Recessed part 2. Spring 3. Arm

3. Use pliers to remove the carbon brush caps of the carbon brushes. Take out the worn carbon brushes, insert the new ones and replace the carbon brush caps in reverse.

► Fig.16: 1. Carbon brush cap

4. Make sure to place the lead wire in opposite side of the arm.

► Fig.17: 1. Lead wire 2. Carbon brush cap

5. Make sure that the carbon brush caps have fit into the holes in brush holders securely.

► **Fig.18:** 1. Hole 2. Carbon brush cap

6. Reinstall the rear cover and tighten two screws securely.

7. Insert the battery cartridge into the tool and break in brushes by running tool with no load for about 1 minute.

8. Check the tool while running and electric brake operation when releasing the switch trigger. If electric brake is not working well, ask Makita Authorized or Factory Service Centers for repair.

To maintain product SAFETY and RELIABILITY, repairs, any other maintenance or adjustment should be performed by Makita Authorized or Factory Service Centers, always using Makita replacement parts.

OPTIONAL ACCESSORIES

⚠ CAUTION: These accessories or attachments are recommended for use with your Makita tool specified in this manual. The use of any other accessories or attachments might present a risk of injury to persons. Only use accessory or attachment for its stated purpose.

If you need any assistance for more details regarding these accessories, ask your local Makita Service Center.

- Drill bits
- Driver bits
- Driver bit holder
- Hook
- Makita genuine battery and charger

NOTE: Some items in the list may be included in the tool package as standard accessories. They may differ from country to country.

规格

型号:	DDF482	
钻孔能力	钢材	13 mm
	木材	38 mm
紧固能力	木螺丝	10 mm x 90 mm
	机器螺丝	M6
空载速度	高 (2)	0 - 1,900 r/min
	低 (1)	0 - 600 r/min
长度	185 mm	
额定电压	D.C. 18 V	
电池组	BL1815N, BL1820, BL1820B	BL1830, BL1840, BL1850, BL1830B, BL1840B, BL1850B, BL1860B
净重	1.5 kg	1.7 kg

- 生产者保留变更规格不另行通知之权利。
- 规格和电池组可能因销往国家之不同而异。
- 重量 (带电池组) 符合EPTA-Procedure 01/2003

符号

以下显示本工具使用的符号。在使用工具之前请务必理解其含义。



阅读使用说明书。



仅限于欧盟国家
请勿将电气设备或电池组与家庭普通废弃物一同丢弃！请务必遵守欧洲关于废弃电子电气设备、电池和蓄电池以及废弃电池和蓄电池的指令并根据法律法规执行。达到使用寿命的电气设备和电池组必须分类回收至符合环境保护规定的再循环机构。

用途

本工具用于在木材、金属和塑料中钻孔和拧紧螺丝。

电动工具通用安全警告

警告： 阅读所有警告和所有说明。不遵照以下警告和说明会导致电击、着火和 / 或严重伤害。

保存所有警告和说明书以备查阅。

在所有下列的警告中术语“电动工具”指市电驱动 (有线) 电动工具或电池驱动 (无线) 电动工具。

工作场地的安全

1. 保持工作场地清洁和明亮。混乱和黑暗的场地会引发事故。
2. 不要在易爆环境，如有易燃液体、气体或粉尘的环境下操作电动工具。电动工具产生的火花会点燃粉尘或气体。
3. 让儿童和旁观者离开后操作电动工具。注意力不集中会使操作者失去对工具的控制。

电气安全

1. 电动工具插头必须与插座相配。绝不能以任何方式改装插头。需接地的电动工具不能使用任何转换插头。未经改装的插头和相配的插座将减少电击危险。

2. 避免人体接触接地表面，如管道、散热片和冰箱。如果你身体接地会增加电击危险。
3. 不得将电动工具暴露在雨中或潮湿环境中。水进入电动工具将增加电击危险。
4. 不得滥用电线。绝不能用电线搬运、拉动电动工具或拔出其插头。使电线远离热源、油、锐边或运动部件。受损或缠绕的软线会增加电击危险。
5. 当在户外使用电动工具时，使用适合户外使用的外接软线。适合户外使用的软线将减少电击危险。
6. 如果在潮湿环境下操作电动工具是不可避免的，应使用剩余电流动作保护器（RCD）。使用RCD可减少电击危险。

人身安全

1. 保持警觉，当操作电动工具时关注所从事的操作并保持清醒。当你感到疲倦，或在有药物、酒精或治疗反应时，不要操作电动工具。在操作电动工具时瞬间的疏忽会导致严重人身伤害。
2. 使用个人防护装置。始终佩戴护目镜。安全装置，诸如适当条件下使用防尘面具、防滑安全鞋、安全帽、听力防护等装置能减少人身伤害。
3. 防止意外启动。确保开关在连接电源和/或电池盒、拿起或搬运工具时处于关断位置。手指放在已接通电源的开关上或开关处于接通时插入插头可能会导致危险。
4. 在电动工具接通之前，拿掉所有调节钥匙或扳手。遗留在电动工具旋转零件上的扳手或钥匙会导致人身伤害。
5. 手不要伸展得太长。时刻注意立足点和身体平衡。这样在意外情况下能很好地控制电动工具。
6. 着装适当。不要穿宽松衣服或佩戴饰品。让衣服、手套和头发远离运动部件。宽松衣服、佩饰或长发可能会卷入运动部件中。
7. 如果提供了与排屑、集尘设备连接用的装置，要确保他们连接完好且使用得当。使用这些装置可减少尘屑引起的危险。

电动工具使用和注意事项

1. 不要滥用电动工具，根据用途使用适当的电动工具。选用适当设计的电动工具会使你工作更有效、更安全。

2. 如果开关不能接通或关断工具电源，则不能使用该电动工具。不能用开关来控制的电动工具是危险的且必须进行修理。
3. 在进行任何调节、更换附件或贮存电动工具之前，必须从电源上拔掉插头和/或使电池盒与工具脱开。这种防护性措施将减少工具意外起动的危险。
4. 将闲置不用的电动工具贮存在儿童所及范围之外，并且不要让不熟悉电动工具或对这些说明不了解的人操作电动工具。电动工具在未经培训的用户手中是危险的。
5. 保养电动工具。检查运动件是否调整到位或卡住，检查零件破损情况和影响电动工具运行的其他状况。如有损坏，电动工具应在使用前修理好。许多事故由维护不良的电动工具引发。
6. 保持切削刀具锋利和清洁。保养良好的有锋利切削刃的刀具不易卡住而且容易控制。
7. 按照使用说明书，考虑作业条件和进行的作业来使用电动工具、附件和工具的刀头等。将电动工具用于那些与其用途不符的操作可能会导致危险。

电池式工具使用和注意事项

1. 只用制造商规定的充电器充电。将适用于某种电池盒的充电器用到其他电池盒时会发生着火危险。
2. 只有在配有专用电池盒的情况下才使用电动工具。使用其他电池盒会发生损坏和着火危险。
3. 当电池盒不用时，将它远离其他金属物体，例如回形针、硬币、钥匙、钉子、螺钉或其他小金属物体，以防一端与另一端连接。电池端部短路会引起燃烧或火灾。
4. 在滥用条件下，液体会从电池中溅出；避免接触。如果意外碰到了，用水冲洗。如果液体碰到了眼睛，还要寻求医疗帮助。从电池中溅出的液体会发生腐蚀或燃烧。

维修

1. 让专业维修人员使用相同的备件维修电动工具。这将保证所维修的电动工具的安全。
2. 上润滑油及更换附件时请遵循本说明书指示。
3. 手柄务必保持干燥、清洁、无油（脂）。

充电式起子电钻使用安全警告

1. 使用随工具提供的辅助手柄。操作失手会引起人身伤害。
2. 当在钻削附件可能触及暗线进行操作时，要通过绝缘握持面来握持工具。钻削附件碰到带电导线会使工具外露的金属零件带电从而使操作者受到电击。
3. 在紧固件可能触及暗线进行操作时，要通过绝缘握持面来握持工具。紧固件碰到带电导线会使工具外露的金属零件带电从而使操作者受到电击。
4. 请务必确保立足稳固。在高空使用工具时确保下方无人。
5. 请紧握本工具。
6. 手应远离旋转的部件。
7. 运行中的工具不可离手放置。只可在手握工具的情况下操作工具。
8. 操作之后，请勿立刻触摸钻头或工件，因为它们可能会非常烫而导致烫伤皮肤。
9. 某些材料含有有毒化学物质。小心不要吸入粉尘，并避免皮肤接触。遵循材料供应商的安全提示。
10. 如果打开卡爪依然无法拧松钻头，请使用虎钳将其拉出。在这种情况下，徒手拉出钻头会因尖锐的边缘受伤。

请保留此说明书。

警告： 请勿为图方便或因对产品足够熟悉（由于重复使用而获得的经验）而不严格遵循相关产品安全规则。使用不当或不遵循使用说明书中的安全规则会导致严重的人身伤害。

电池组的重要安全注意事项

1. 在使用电池组之前，请仔细阅读所有的说明以及（1）电池充电器，（2）电池，以及（3）使用电池的产品上的警告标记。
2. 请勿拆解电池组。
3. 如果机器运行时间变得过短，请立即停止使用。否则可能会导致过热、起火甚至爆炸。
4. 如果电解液进入您的眼睛，用清水将其冲洗干净并立即就医。否则可能会导致视力受损。

5. 请勿使电池组短路：
 - （1）请勿使任何导电材料碰到端子。
 - （2）避免将电池组与其他金属物品如钉子、硬币等放置在同一容器内。
 - （3）请勿将电池组置于水中或使其淋雨。
6. 请勿将工具和电池组置于温度可能达到或超过 **50 °C (122 °F)** 的场所。
7. 即使电池组已经严重损坏或完全磨损，也请勿焚烧电池组。电池组会在火中爆炸。
8. 请小心，勿撞击电池或使其掉落。
9. 请勿使用损坏的电池。
10. 本工具附带的锂离子电池需符合危险品法规要求。

第三方或转运代理等进行商业运输时，应遵循包装和标识方面的特殊要求。有关运输项目的准备作业，咨询危险品方面的专业人士。同时，请遵守可能更为详尽的国家法规。

请使用胶带保护且勿遮掩表面的联络信息，并牢固封装电池，使电池在包装内不可动。

11. 关于如何处理废弃的电池，请遵循当地法规。
12. 仅将电池用于 **Makita**（牧田）指定的产品。将电池安装至不兼容的产品会导致起火、过热、爆炸或电解液泄漏。

请保留此说明书。

小心： 请仅使用 **Makita**（牧田）原装电池。使用非 **Makita**（牧田）原装电池或经过改装的电池可能会导致电池爆炸，从而造成火灾、人身伤害或物品受损。同时也会导致牧田工具和充电器的牧田保修服务失效。

保持电池最大使用寿命的提示

1. 在电池组电量完全耗尽前及时充电。发现工具电量低时，请停止工具操作，并给电池组充电。
2. 请勿对已充满电的电池组重新充电。过度充电将缩短电池的使用寿命。
3. 请在 **10 °C - 40 °C (50 °F - 104 °F)** 的室温条件下给电池组充电。请在灼热的电池组冷却后再充电。
4. 如果电池组长时间（超过六个月）未使用，请给其充电。

功能描述

⚠小心： 调节或检查工具功能之前，请务必关闭工具的电源并取出电池组。

安装或拆卸电池组

⚠小心： 安装或拆卸电池组之前，请务必关闭工具电源。

⚠小心： 安装或拆卸电池组时请握紧工具和电池组。否则它们可能从您的手中滑落，导致工具和电池组受损，甚至造成人身伤害。

► **图片1：** 1. 红色指示灯 2. 按钮 3. 电池组

拆卸电池组时，按下电池组前侧的按钮，同时将电池组从工具中抽出。

安装电池组时，要将电池组上的舌簧与外罩上的凹槽对齐，然后推滑到位。将其完全插入到位，直到电池组被锁定并发出卡嗒声为止。如果插入后仍能看到按钮上侧的红色指示灯，则说明电池组未完全锁紧。

⚠小心： 务必完全装入电池组，直至看不见红色指示灯。否则它可能会意外从工具中脱落，从而造成自身或他人受伤。

⚠小心： 请勿强行安装电池组。如果电池组难以插入，可能是插入方法不当。

电池保护系统

带星形标志的锂离子电池

► **图片2：** 1. 星形标志

带星形标志的锂离子电池配有保护系统。该系统可自动切断工具电源以延长电池寿命。作业时，如果工具和/或电池处于以下情况时工具将会自动停止运转：

过载：

以导致异常高电流的方式操作工具。

在这种情况下，请关闭工具并停止导致工具过载的应用操作。然后开启工具重新启动。如果无法启动工具，则说明电池过热。在这种情况下，请待电池冷却后再开启工具。

电池电压低：

剩余电池电量过低且工具不运行。在这种情况下，请取下电池并予以充电。

显示电池的剩余电量

仅限带指示灯的电池组

► **图片3：** 1. 指示灯 2. CHECK（查看）按钮

按电池组上的CHECK（查看）按钮可显示电池剩余电量。指示灯将亮起数秒。

指示灯			剩余电量
■ 点亮	□ 熄灭	▧ 闪烁	
■ ■ ■ ■			75%至100%
■ ■ ■ □			50%至75%
■ ■ □ □			25%至50%
■ □ □ □			0%至25%
▧ □ □ □			给电池充电。
■ ■ □ □	↑ □ □	↓ ■ ■	电池可能出现故障。

注： 在不同的使用条件及环境温度下，指示灯所示电量可能与实际情况略有不同。

开关操作

► **图片4：** 1. 开关扳机

⚠小心： 在将电池组插入工具之前，请务必检查开关扳机是否能扣动自如，松开时能否返回至“OFF”（关闭）位置。

启动工具时，只要扣动开关扳机即可。随着在开关扳机上施加压力的增大，工具速度会提高。松开开关扳机工具即停止。

点亮前灯

► **图片5：** 1. 照明灯

⚠小心： 请勿直视灯光或光源。

扣动开关扳机点亮照明灯。在扣动开关扳机期间此灯保持常亮。释放开关扳机10 - 15秒后，灯熄灭。

注： 请使用干布擦拭灯头灰。注意不要刮花灯头，否则会降低亮度。

反转开关的操作

► 图片6: 1. 反转切换柄

⚠小心: 操作前请务必确认工具的旋转方向。

⚠小心: 只有当工具完全停止转动后方可使用反转开关。如果在工具停止之前改变旋转方向, 可能会损坏工具。

⚠小心: 不使用工具时, 请务必将反转切换柄置于空档位置。

本工具设有反转开关, 可改变旋转方向。自**A**侧按压反转切换柄可进行顺时针方向旋转; 自**B**侧按压则进行逆时针方向旋转。反转切换柄处于空档位置时, 开关扳机无法扣动。

变速

► 图片7: 1. 变速杆

⚠小心: 请务必将变速杆完全置于正确位置。在变速杆处于“1”侧与“2”侧之间的半位时操作工具, 会使工具受损。

⚠小心: 不可在机器运转时使用变速杆。否则可能会损坏工具。


变速杆的位置	速度	转矩	适用操作
1	低	高	高负荷操作
2	高	低	低负荷操作


改变速度时, 请先关闭工具。需要高速时请选择“2”, 需要低速但高转矩时请选择“1”。确保使用之前将变速杆置于正确位置。

如果在速度为“2”的操作中工具速度极速降低, 请将调节柄滑动至“1”, 然后重新开始操作。

调节紧固转矩

► 图片8: 1. 调节环 2. 刻度 3. 箭头

可通过转动调节环在22个等级范围内调节紧固转矩。对齐刻度和工具主体上的箭头。设至1时紧固转矩最小, 设至标记时紧固转矩最大。

通过将离合器设置在数字1至21之间, 可获得不同的转矩等级。在标记处离合器不工作。实际操作前, 将试验螺丝拧入材料或与其相同的材料。以确定具体应用所需的转矩水平。以下显示了螺丝尺寸和刻度之间的基本关系。

刻度		1	2	3	4	5	6	7	8	9	10	11	12	13	14	15	16	17	18	19	20	21
机器螺丝		M4					M5						M6									
木螺丝	软木 (如松木)	—					ø3.5 x 22			ø4.1 x 38			—									
	硬木 (如柳安木)	—					ø3.5 x 22			ø4.1 x 38			—									

装配

⚠小心: 对工具进行任何装配操作前, 请务必关闭工具电源, 并取出电池组。

起子头 / 钻头的安装或拆卸

► 图片9: 1. 套筒 2. 关闭 3. 打开

逆时针转动套筒打开卡盘爪。尽量将起子头 / 钻头放入卡盘最里侧。顺时针转动套筒旋紧卡盘。逆时针转动套筒即可卸下起子头 / 钻头。

安装挂钩

⚠️小心： 安装挂钩时，务必使用螺丝将其固定。否则挂钩可能会脱离工具，导致人身伤害。

► **图片10：** 1. 凹槽 2. 挂钩 3. 螺丝

挂钩便于临时悬挂工具。可安装在工具的任何一侧。要安装挂钩，请将其插入工具外壳上任何一侧的凹槽中，然后用螺丝加以紧固。要拆卸挂钩，请将螺丝拧松，然后将其取出。

安装起子头夹持器

选购附件

► **图片11：** 1. 起子头夹持器 2. 起子头

将起子头夹持器嵌入工具底座左侧或右侧的突起中，并用螺丝加以紧固。
不使用起子头时，将其存放在起子头夹持器内。夹持器可存放45 mm长的起子头。

操作

⚠️小心： 插入电池组时请务必使其完全锁紧到位。如果插入后仍能看到按钮上侧的红色指示灯，则说明电池组未完全锁紧。此时，须将电池适配器完全插入，直到红色指示灯不亮为止。否则它可能会意外从工具中脱落，从而造成自身或他人受伤。

⚠️小心： 如果速度极速降低，请减小负荷或停止工具以避免损坏工具。

一手握住机器把手，另一只手握住电池组底部，紧握机器，防止其出现扭动现象。

► **图片12**

旋紧螺丝的操作


⚠️小心： 将调节环调至适当的转矩等级操作。

⚠️小心： 务必要将起子头平直地插入螺丝头端，否则会损坏螺丝和/或起子头。

将起子头的尖端放进螺丝头部并对工具施加压力。要慢速启动工具，然后逐渐提高转速。插入离合器的同时即可松开开关扳机。

注： 钉入木螺丝时，应先钻直径为木螺丝直径2/3的引导孔。以便于操作并防止工件开裂。

钻孔操作

首先，转动调节环使箭头指向  标记。然后进行如下操作。

在木材上钻孔

在木材上钻孔时，使用带有前导螺丝的木材用钻头将获得最佳效果。这种前导螺丝可令钻孔操作更加轻松。

在金属上钻孔

开始钻孔时，为了防止钻头打滑，可用一尖冲头和锤子 在金属板上想要钻孔的地方打一痕迹。将钻头尖端放入凹痕，然后开始钻孔。
在金属上钻孔时请使用切削油。但在铁和铜材料上钻孔时应干钻。

⚠️小心： 过分用力按压工具并不会提高钻孔效率。事实上，过大的压力只会损坏钻头尖，降低工具性能，缩短工具使用寿命。

⚠️小心： 钻头即将钻穿工件时需握紧工具，注意力集中。钻穿时工具/钻头会受到极大的突然扭力。

⚠️小心： 取出卡住的钻头时，只需将反转开关设为反向旋转便可退出工具。但如果不够紧紧握住工具，工具可能突然退出。

⚠️小心： 请务必用虎钳或类似夹装装置固定工件。

⚠️小心： 如果工具连续工作到电池组电量耗尽，则应暂停使用工具15分钟，再用充电后的电池继续操作。

保养

⚠️小心： 检查或保养工具之前，请务必关闭工具电源并取出电池组。

注意： 切勿使用汽油、苯、稀释剂、酒精或类似物品清洁工具。否则可能会导致工具变色、变形或出现裂缝。

更换碳刷

► 图片13: 1. 界限磨损线

定期检查碳刷。

在碳刷磨损到界限磨损线时进行更换。请保持碳刷清洁并使其在碳刷夹内能自由滑动。两个碳刷应同时替换。请仅使用相同的碳刷。

1. 请使用螺丝起子卸下两个螺丝，然后卸下后盖。

► 图片14: 1. 后盖 2. 螺丝

2. 抬起弹簧的弹簧臂部分，然后使用有细长轴或类似部件的一字头螺丝起子将其放入外壳的凹槽部分。

► 图片15: 1. 凹槽部分 2. 弹簧 3. 臂

3. 请使用虎钳来拆卸碳刷上面的碳刷夹盖。取出已磨损的碳刷，插入新的碳刷，然后以相反的步骤重新装回碳刷夹盖。

► 图片16: 1. 碳刷夹盖

4. 请务必确保将引线置于臂的对面。

► 图片17: 1. 引线 2. 碳刷夹盖

5. 请务必确保碳刷夹盖牢固地装入碳刷夹上的孔中。

► 图片18: 1. 孔 2. 碳刷夹盖

6. 然后重新安装后盖并牢牢紧固两颗螺丝。

7. 将电池组插入工具中，让工具空载运行1分钟左右以磨合碳刷。

8. 在工具运转的过程中检查工具的状态，释放开关扳机检查电动制动器的工作情况。倘若电动制动器不能正常工作，请交由Makita（牧田）授权的或工厂维修服务中心进行维修。

为了保证产品的安全与可靠性，维修、任何其他维修保养或调节需由Makita（牧田）授权的或工厂维修服务中心完成。务必使用Makita（牧田）的替换部件。

选购附件

⚠小心： 这些附件或装置专用于本说明书所列的Makita（牧田）工具。如使用其他厂牌附件或装置，可能导致人身伤害。仅可将附件或装置用于规定目的。

如您需要了解更多关于这些选购附件的信息，请咨询当地的Makita（牧田）维修服务中心。

- 钻头
- 起子头
- 起子头夹持器
- 挂钩
- Makita（牧田）原装电池和充电器

注： 本列表表中的一些部件可能作为标准配件包含于工具包装内。它们可能因销往国家之不同而异。

SPEKIFIKASI

Model:		DDF482	
Kapasitas pengeboran	Baja	13 mm	
	Kayu	38 mm	
Kapasitas pengencangan	Sekrup kayu	10 mm x 90 mm	
	Sekrup mesin	M6	
Kecepatan tanpa beban	Tinggi (2)	0 - 1.900 min ⁻¹	
	Rendah (1)	0 - 600 min ⁻¹	
Panjang keseluruhan		185 mm	
Tegangan terukur		D.C. 18 V	
Kartrid baterai		BL1815N, BL1820, BL1820B	BL1830, BL1840, BL1850, BL1830B, BL1840B, BL1850B, BL1860B
Berat bersih		1,5 kg	1,7 kg

- Karena kesinambungan program penelitian dan pengembangan kami, spesifikasi yang disebutkan di sini dapat berubah tanpa pemberitahuan.
- Spesifikasi dan kartrid baterai dapat berbeda dari satu negara ke negara lainnya.
- Berat, dengan kartrid baterai, menurut Prosedur EPTA 01/2003

Simbol

Berikut ini adalah simbol-simbol yang digunakan pada peralatan ini. Pastikan Anda mengerti makna masing-masing simbol sebelum menggunakan alat.



Baca petunjuk penggunaan.



Ni-MH
Li-ion

Hanya untuk negara-negara UE
Jangan membuang peralatan listrik atau paket baterai bersama-sama dengan bahan limbah rumah tangga!
Dengan memerhatikan Petunjuk Eropa, tentang Limbah Peralatan Listrik dan Elektronik serta Baterai dan Akumulator dan pelaksanaannya sesuai dengan ketentuan hukum nasional, peralatan listrik dan baterai dan paket baterai yang telah habis umur pakainya harus dikumpulkan secara terpisah dan dikembalikan ke fasilitas daur ulang yang kompatibel secara lingkungan.

Penggunaan

Mesin ini digunakan untuk mengebor dan memasang sekrup pada kayu, logam dan plastik.

Peringatan keselamatan umum mesin listrik

⚠ PERINGATAN: Bacalah semua peringatan keselamatan dan semua petunjuk. Kelalaian mematuhi peringatan dan petunjuk dapat menyebabkan sengatan listrik, kebakaran dan/atau cedera serius.

Simpanlah semua peringatan dan petunjuk untuk acuan di masa depan.

Istilah "mesin listrik" dalam semua peringatan mengacu pada mesin listrik yang dijalankan dengan sumber listrik jala-jala (berkabel) atau baterai (tanpa kabel).

Keselamatan tempat kerja

1. **Jaga tempat kerja selalu bersih dan berpenerangan cukup.** Tempat kerja yang berantakan dan gelap mengundang kecelakaan.
2. **Jangan gunakan mesin listrik dalam lingkungan yang mudah meledak, misalnya jika ada cairan, gas, atau debu yang mudah menyala.** Mesin listrik menimbulkan bunga api yang dapat menyala debu atau uap tersebut.
3. **Jauhkan anak-anak dan orang lain saat menggunakan mesin listrik.** Bila perhatian terpecah, anda dapat kehilangan kendali.

Kelamanan Kelistrikan

1. **Steker mesin listrik harus cocok dengan stopkontak. Jangan sekali-kali mengubah steker dengan cara apa pun. Jangan menggunakan steker adaptor dengan mesin listrik terbumi (dibumikan).** Steker yang tidak diubah dan stopkontak yang cocok akan mengurangi risiko sengatan listrik.
2. **Hindari sentuhan tubuh dengan permukaan terbumi atau yang dibumikan seperti pipa, radiator, kompor, dan kulkas.** Risiko sengatan listrik bertambah jika tubuh Anda terbumikan atau dibumikan.
3. **Jangan membiarkan mesin listrik kehujanan atau kebasahan.** Air yang masuk ke dalam mesin listrik akan meningkatkan risiko sengatan listrik.

4. **Jangan menyalahgunakan kabel. Jangan sekali-kali menggunakan kabel untuk membawa, menarik, atau mencabut mesin listrik dari stopkontak. Jauhkan kabel dari panas, minyak, tepian tajam, atau bagian yang bergerak.** Kabel yang rusak atau kusut memperbesar risiko sengatan listrik.
5. **Bila menggunakan mesin listrik di luar ruangan, gunakan kabel ekstensi yang sesuai untuk penggunaan di luar ruangan.** Penggunaan kabel yang sesuai untuk penggunaan luar ruangan mengurangi risiko sengatan listrik.
6. **Jika mengoperasikan mesin listrik di lokasi lembap tidak terhindarkan, gunakan pasokan daya yang dilindungi peranti imbasan arus (residual current device - RCD).** Penggunaan RCD mengurangi risiko sengatan listrik.

Keselamatan Diri

1. **Jaga kewaspadaan, perhatikan pekerjaan Anda dan gunakan akal sehat bila menggunakan mesin listrik. Jangan menggunakan mesin listrik saat Anda lelah atau di bawah pengaruh obat bius, alkohol, atau obat.** Sekejap saja lalai saat menggunakan mesin listrik dapat menyebabkan cedera badan serius.
2. **Gunakan alat pelindung diri. Selalu gunakan pelindung mata.** Peralatan pelindung seperti masker debu, sepatu pengaman anti-selip, helm pengaman, atau pelindung telinga yang digunakan untuk kondisi yang sesuai akan mengurangi risiko cedera badan.
3. **Cegah penyalaan yang tidak disengaja. Pastikan bahwa sakelar berada dalam posisi mati (off) sebelum menghubungkan mesin ke sumber daya dan/atau paket baterai, atau mengangkat atau membawanya.** Membawa mesin listrik dengan jari Anda pada sakelarnya atau mengalirkan listrik pada mesin listrik yang sakelarnya hidup (on) akan mengundang kecelakaan.
4. **Lepaskan kunci-kunci penyetel sebelum menghidupkan mesin listrik.** Kunci-kunci yang masih terpasang pada bagian mesin listrik yang berputar dapat menyebabkan cedera.
5. **Jangan meraih terlalu jauh. Jagalah pijakan dan keseimbangan sepanjang waktu.** Hal ini memungkinkan kendali yang lebih baik atas mesin listrik dalam situasi yang tidak diharapkan.
6. **Kenakan pakaian dengan baik. Jangan memakai pakaian yang kedodoran atau perhiasan. Jaga jarak antara rambut, pakaian, dan sarung tangan Anda dengan bagian mesin yang bergerak.** Pakaian kedodoran, perhiasan, atau rambut panjang dapat tersangkut pada bagian yang bergerak.
7. **Jika tersedia fasilitas untuk menghisap dan mengumpulkan debu, pastikan fasilitas tersebut terhubung listrik dan digunakan dengan baik.** Penggunaan pembersih debu dapat mengurangi bahaya yang terkait dengan debu.

Penggunaan dan pemeliharaan mesin listrik

1. **Jangan memaksa mesin listrik. Gunakan mesin listrik yang tepat untuk keperluan Anda.** Mesin listrik yang tepat akan menuntaskan pekerjaan dengan lebih baik dan aman pada kecepatan sesuai rancangannya.
2. **Jangan gunakan mesin listrik jika sakelar tidak dapat menyalakan dan mematikannya.** Mesin listrik yang tidak dapat dikendalikan dengan sakelarnya adalah berbahaya dan harus diperbaiki.
3. **Cabut steker dari sumber listrik dan/atau paket baterai dari mesin listrik sebelum melakukan penyetyelan, penggantian aksesoris, atau menyimpan mesin listrik.** Langkah keselamatan preventif tersebut mengurangi risiko hidupnya mesin secara tak sengaja.
4. **Simpan mesin listrik jauh dari jangkauan anak-anak dan jangan biarkan orang yang tidak paham mengenai mesin listrik tersebut atau petunjuk ini menggunakan mesin listrik.** Mesin listrik sangat berbahaya di tangan pengguna yang tak terlatih.
5. **Rawatlah mesin listrik. Periksa apakah ada bagian bergerak yang tidak lurus atau macet, bagian yang pecah dan kondisi lain yang dapat memengaruhi penggunaan mesin listrik. Jika rusak, perbaiki dahulu mesin listrik sebelum digunakan.** Banyak kecelakaan disebabkan oleh kurangnya pemeliharaan mesin listrik.
6. **Jaga agar mesin pemotong tetap tajam dan bersih.** Mesin pemotong yang terawat baik dengan mata pemotong yang tajam tidak mudah macet dan lebih mudah dikendalikan.
7. **Gunakan mesin listrik, aksesoris, dan mata mesin, dll. sesuai dengan petunjuk ini, dengan memperhitungkan kondisi kerja dan jenis pekerjaan yang dilakukan.** Penggunaan mesin listrik untuk penggunaan yang lain dari peruntukan dapat menimbulkan situasi berbahaya.

Penggunaan dan pemeliharaan mesin bertenaga baterai

1. **Isi ulang baterai hanya dengan pengisi daya yang ditentukan oleh pabrikan.** Pengisi daya yang cocok untuk satu jenis paket baterai dapat menimbulkan risiko kebakaran ketika digunakan untuk paket baterai yang lain.
2. **Gunakan mesin listrik hanya dengan paket baterai yang telah ditentukan secara khusus.** Penggunaan paket baterai lain dapat menimbulkan risiko cedera dan kebakaran.
3. **Ketika paket baterai tidak digunakan, jauhkan dari benda logam lain, seperti penjepit kertas, uang logam, kunci, paku, sekrup atau benda logam kecil lainnya, yang dapat menghubungkan satu terminal ke terminal lain.** Hubungan singkat terminal baterai dapat menyebabkan luka bakar atau kebakaran.
4. **Pemakaian yang salah, dapat menyebabkan keluarnya cairan dari baterai; hindari kontak. Jika terjadi kontak secara tidak sengaja, bilas dengan air. Jika cairan mengenai mata, cari bantuan medis.** Cairan yang keluar dari baterai bisa menyebabkan iritasi atau luka bakar.

Servis

1. Berikan mesin listrik untuk diperbaiki hanya kepada oleh teknisi yang berkualifikasi dengan menggunakan hanya suku cadang pengganti yang serupa. Hal ini akan menjamin terjaminnya keamanan mesin listrik.
2. Patuhi petunjuk pelumasan dan penggantian aksesoris.
3. Jagalah agar gagang kering, bersih, dan bebas dari minyak dan gemuk.

Peringatan keselamatan bor obeng tanpa kabel

1. Gunakan gagang tambahan, jika disertakan bersama mesin ini. Kehilangan kendali dapat menyebabkan cedera.
2. Pegang mesin listrik pada permukaan genggam yang terisolasi saat melakukan pekerjaan bila aksesoris pemotong mungkin bersentuhan dengan kawat tersembunyi. Aksesoris pemotong yang menyentuh kawat "hidup" dapat menyebabkan bagian logam pada mesin teraliri arus listrik dan menyengat pengguna.
3. Pegang mesin listrik pada permukaan genggam yang terisolasi saat melakukan pekerjaan bila pengencang mungkin bersentuhan dengan kawat tersembunyi. Pengencang yang menyentuh kawat "hidup" dapat menyebabkan bagian logam pada mesin teraliri arus listrik dan menyengat pengguna.
4. Selalu pastikan Anda memiliki pijakan kuat. Pastikan tidak ada orang di bawah Anda ketika menggunakan mesin di lokasi tinggi.
5. Pegang mesin kuat-kuat.
6. Jauhkan tangan dari bagian yang berputar.
7. Jangan tinggalkan mesin dalam keadaan hidup. Jalankan mesin hanya ketika digenggam tangan.
8. Jangan menyentuh mata bor atau benda kerja segera setelah pengoperasian; suhunya mungkin masih sangat panas dan dapat membakar kulit Anda.
9. Bahan tertentu mengandung zat kimia yang mungkin beracun. Hindari menghirup debu dan persentuhan dengan kulit. Ikuti data keselamatan bahan dari pemasok.
10. Jika mata bor tidak dapat dikendurkan bahkan saat Anda membuka rahang, gunakan tang untuk menariknya keluar. Dalam kasus semacam itu, menarik mata bor dengan tangan dapat mengakibatkan cedera dikarenakan ujungnya yang tajam.

SIMPAN PETUNJUK INI.

⚠️ PERINGATAN: JANGAN biarkan kenyamanan atau terbiasanya Anda dengan produk (karena penggunaan berulang) mengurangi kepatuhan yang ketat terhadap aturan keselamatan untuk produk yang terkait. PENYALAHGUNAAN atau kelalaian mematuhi kaidah keselamatan yang tertera dalam petunjuk ini dapat menyebabkan cedera badan serius.

Petunjuk keselamatan penting untuk kartrid baterai

1. Sebelum menggunakan kartrid baterai, bacalah semua petunjuk dan penandaan pada (1) pengisi daya baterai, (2) baterai, dan (3) produk yang menggunakan baterai.
2. Jangan membongkar kartrid baterai.
3. Jika waktu beroperasinya menjadi sangat singkat, segera hentikan penggunaan. Hal tersebut dapat menimbulkan risiko panas berlebih, kemungkinan mengalami luka bakar atau bahkan terjadi ledakan.
4. Jika elektrolit mengenai mata Anda, basuh dengan air bersih dan segera cari pertolongan medis. Hal tersebut dapat mengakibatkan hilangnya kemampuan penglihatan Anda.
5. Jangan menghubungkan terminal kartrid baterai:
 - (1) Jangan menyentuh terminal dengan bahan penghantar listrik apa pun.
 - (2) Hindari menyimpan kartrid baterai pada wadah yang berisi benda logam lain seperti paku, uang logam, dsb.
 - (3) Jangan membiarkan baterai terkena air atau kehujanan.Hubungan singkat baterai dapat menyebabkan aliran arus listrik yang besar, panas berlebih, kemungkinan mengalami luka bakar dan bahkan kerusakan pada baterai.
6. Jangan menyimpan mesin dan kartrid baterai pada lokasi dengan suhu yang bisa mencapai atau melebihi 50 °C.
7. Jangan membuang kartrid baterai di tempat pembakaran sampah walaupun benar-benar rusak atau tidak bisa digunakan sama sekali. Kartrid baterai bisa meledak jika terbakar.
8. Berhati-hatilah jangan sampai baterai jatuh atau terbentur.
9. Jangan menggunakan baterai yang rusak.
10. Baterai litium-ion yang disertakan sesuai dengan persyaratan Perundangan Makanan Berbahaya.

Harus ada pengawasan untuk pengangkutan komersial misalnya oleh pihak ketiga, ekspediter, persyaratan khusus terhadap pengemasan dan pelabelan.

Diperlukan adanya konsultasi dengan ahli mengenai material berbahaya untuk persiapan barang yang akan dikirimkan. Perhatikan pula peraturan nasional yang lebih terperinci yang mungkin ada.

Beri perekat atau tutupi bagian yang terbuka dan kemasi baterai dengan cara yang tidak akan menimbulkan pergeseran dalam pengemasan.
11. Patuhi peraturan setempat yang berkaitan dengan pembuangan baterai.
12. Gunakan baterai hanya dengan produk yang ditentukan oleh Makita. Memasang baterai pada produk yang tidak sesuai dapat menyebabkan kebakaran, kelebihan panas, ledakan, atau kebocoran elektrolit.

SIMPAN PETUNJUK INI.

⚠️PERHATIAN: Gunakan baterai asli Makita. Penggunaan baterai Makita yang tidak asli, atau baterai yang sudah diubah, akan mengakibatkan baterai mudah terbakar, cedera dan kerusakan. Akan menghilangkan garansi Makita pada pengisi daya dan alat Makita.

Tip untuk menjaga agar umur pemakaian baterai maksimum

1. Isi ulang kartrid baterai sebelum habis sama sekali. Selalu hentikan penggunaan mesin dan ganti kartrid baterai jika Anda melihat bahwa mesin kurang tenaga.
2. Jangan pernah mengisi ulang kartrid baterai yang sudah diisi penuh. Pengisian ulang yang berlebih memperpendek umur pemakaian baterai.
3. Isi ulang kartrid baterai pada suhu ruangan 10 °C - 40 °C. Biarkan kartrid baterai yang panas menjadi dingin terlebih dahulu sebelum diisi ulang.
4. Isi ulang daya kartrid baterai jika Anda tidak menggunakannya untuk jangka waktu yang lama (lebih dari enam bulan).

DESKRIPSI FUNGSI

⚠️PERHATIAN: Selalu pastikan bahwa mesin dimatikan dan kartrid baterai dilepas sebelum menyetel atau memeriksa kerja mesin.

Memasang atau melepas baterai

⚠️PERHATIAN: Selalu matikan mesin sebelum memasang atau melepas kartrid baterai.

⚠️PERHATIAN: Pegang mesin dan kartrid baterai kuat-kuat saat memasang atau melepas kartrid baterai. Kelalaian untuk memegang mesin dan kartrid baterai kuat-kuat bisa menyebabkan keduanya tergelincir dari tangan Anda dan mengakibatkan kerusakan pada mesin dan kartrid baterai dan cedera diri.

- **Gbr.1:** 1. Indikator berwarna merah 2. Tombol
3. Kartrid baterai

Untuk melepas kartrid baterai, geser dari mesin sambil menggeser tombol pada bagian depan kartrid.

Untuk memasang kartrid baterai, sejajarkan lidah kartrid baterai dengan alur pada rumah dan masukkan ke dalam tempatnya. Masukkan seluruhnya sampai terkunci pada tempatnya dan terdengar bunyi klik kecil. Jika Anda bisa melihat indikator berwarna merah pada sisi atas tombol, berarti tidak terkunci sepenuhnya.

⚠️PERHATIAN: Selalu pasang kartrid baterai sepenuhnya sampai indikator berwarna merah tidak terlihat. Jika tidak, bisa terlepas dari mesin secara tidak sengaja, menyebabkan luka pada Anda atau orang di sekitar Anda.

⚠️PERHATIAN: Jangan memasangkan kartrid baterai secara paksa. Jika kartrid tidak bergeser dengan mudah, berarti tidak dimasukkan dengan benar.

Sistem perlindungan baterai

Baterai Litium-ion dengan tanda bintang

- **Gbr.2:** 1. Tanda bintang

Baterai Litium-ion dengan tanda bintang dilengkapi dengan sistem perlindungan. Sistem ini memutus daya ke mesin secara otomatis untuk memperpanjang umur pemakaian baterai.

Mesin akan berhenti saat penggunaan saat mesin dan/atau baterai berada dalam salah satu kondisi berikut ini:

Kelebihan beban:

Mesin dijalankan dengan cara yang menyebabkannya menarik arus tinggi yang tidak normal.

Untuk situasi ini, matikan mesin dan hentikan pekerjaan yang menyebabkan mesin mengalami kelebihan beban. Kemudian, nyalakan mesin untuk kembali memulai pekerjaan.

Jika mesin tidak menyala, baterai mengalami kelebihan panas. Untuk situasi ini, biarkan baterai mendingin sebelum kembali menyalakan mesin.

Tegangan baterai rendah:

Kapasitas baterai yang tersisa terlalu rendah dan mesin tidak akan beroperasi. Untuk situasi ini, lepas dan isi ulang baterai.

Mengindikasikan kapasitas baterai yang tersisa

Hanya untuk kartrid baterai dengan indikator

► **Gbr.3:** 1. Lampu indikator 2. Tombol pemeriksaan

Tekan tombol pemeriksaan pada kartrid baterai untuk melihat kapasitas baterai yang tersisa. Lampu indikator menyala selama beberapa detik.

Lampu indikator			Kapasitas yang tersisa
Menyala	Mati	Berkedip	
■	□	◐	75% hingga 100%
■	■	□	50% hingga 75%
■	■	□	25% hingga 50%
■	□	□	0% hingga 25%
◐	□	□	Isi ulang baterai.
■	■	□	Baterai mungkin sudah rusak.
□	□	■	

CATATAN: Tergantung kondisi penggunaan dan suhu lingkungannya, penunjukkan mungkin saja sedikit berbeda dari kapasitas sebenarnya.

Kerja sakelar

► **Gbr.4:** 1. Picu sakelar

PERHATIAN: Sebelum memasukkan kartrid baterai pada mesin, pastikan picu saklar berfungsi dengan baik dan kembali ke posisi "OFF" saat dilepas.

Untuk menjalankan mesin, cukup tarik picu saklarnya. Kecepatan mesin meningkat dengan menambah tekanan pada picu saklar. Lepaskan picu sakelar untuk berhenti.

Menyalakan lampu depan

► **Gbr.5:** 1. Lampu

PERHATIAN: Jangan melihat lampu atau sumber cahaya secara langsung.

Tarik picu sakelar untuk menyalakan lampu. Lampu tetap menyala selama picu sakelar ditarik. Lampu akan padam sekitar 10 - 15 detik setelah melepas picu.

CATATAN: Gunakan kain kering untuk mengelap kotoran dari lensa lampu. Hati-hati jangan sampai menggores lensa lampu, atau hal tersebut dapat menurunkan tingkat penerangannya.

Kerja saklar pembalik arah

► **Gbr.6:** 1. Tuas saklar pembalik arah

PERHATIAN: Selalu periksa arah putaran sebelum penggunaan.

PERHATIAN: Gunakan saklar pembalik arah hanya setelah mesin benar-benar berhenti. Mengubah arah putaran sebelum mesin berhenti dapat merusak mesin.

PERHATIAN: Saat mesin tidak digunakan, selalu posisikan tuas saklar pembalik arah pada posisi netral.

Mesin ini memiliki saklar pembalik arah untuk mengubah arah putaran. Tekan tuas saklar pembalik arah dari sisi A untuk putaran searah jarum jam atau dari sisi B untuk putaran berlawanan arah jarum jam. Ketika tuas saklar pembalik arah pada posisi netral, picu saklar tidak bisa ditarik.

Perubahan kecepatan

► **Gbr.7:** 1. Tuas pengubah kecepatan

PERHATIAN: Selalu posisikan tuas pengubah kecepatan sepenuhnya pada posisi yang tepat. Jika anda menggunakan mesin dengan tuas pengubah kecepatan berada di posisi tengah antara sisi "1" dan sisi "2", mesin bisa rusak.



PERHATIAN: Jangan menggunakan tuas pengubah kecepatan ketika mesin sedang bekerja. Mesin bisa rusak.

Posisi tuas pengubah kecepatan	Kecepatan	Torsi	Pengoperasian yang dapat diterapkan
1	Rendah	Tinggi	Pengoperasian pemuatan berat
2	Tinggi	Rendah	Pengoperasian pemuatan ringan

Untuk mengubah kecepatan, matikan mesin terlebih dahulu. Pilih sisi "2" untuk kecepatan tinggi atau "1" untuk kecepatan rendah tapi torsi tinggi. Pastikan bahwa tuas pengubah kecepatan dipoisikan pada posisi yang tepat sebelum penggunaan. Jika kecepatan mesin menurun drastis selama pengoperasian dengan "2", geserkan tuas pada sisi "1" dan mulai ulang operasi.

Menyetel torsi pengencangan

► **Gbr.8:** 1. Cincin penyetel 2. Skala 3. Tanda panah

Torsi pengencangan dapat disetel pada level 22 dengan memutar cincin penyetel. Seajarkan skala dengan panah di bodi mesin. Anda dapat memperoleh torsi pengencangan minimal pada 1 dan torsi maksimal pada tanda . Kopling akan berpindah pada tingkat torsi beragam ketika diatur pada angka 1 hingga 21. Kopling tidak berfungsi pada tanda .

Sebelum penggunaan yang sebenarnya, pasang sekrup percobaan pada bahan atau potongan bahan lain untuk menentukan tingkat torsi yang dibutuhkan untuk keperluan tertentu.

Hal berikut menunjukkan panduan kasar hubungan antara ukuran sekrup dan skala.

Skala		1	2	3	4	5	6	7	8	9	10	11	12	13	14	15	16	17	18	19	20	21
Sekrup mesin		M4					M5										M6					
Sekrup kayu	Kayu lunak (misalnya pinus)	-					φ3.5 x 22					φ4.1 x 38					-					
	Kayu keras (misalnya lauan)	-					φ3.5 x 22					φ4.1 x 38					-					

PERAKITAN

⚠ PERHATIAN: Selalu pastikan bahwa mesin dimatikan dan kartrid baterai dilepas sebelum melakukan pekerjaan apa pun pada mesin.

Memasang atau melepas mata obeng/mata bor

► **Gbr.9:** 1. Selongsong 2. Tutup 3. Buka

Putar selongsong berlawanan arah jarum jam untuk membuka rahang cekam. Masukkan mata obeng/mata bor ke dalam cekam sejauh mungkin. Putar selongsong searah jarum jam untuk mengencangkan cekam. Untuk melepas mata obeng/mata bor, putar selongsong berlawanan arah jarum jam.

Memasang kait

⚠ PERHATIAN: Ketika memasang kait, selalu kencangkan sekrup kuat-kuat. Jika tidak, kait mungkin akan terlepas dari alat dan mengakibatkan cedera badan.

► **Gbr.10:** 1. Alur 2. Kait 3. Sekrup

Kait bisa digunakan untuk menggantung mesin sementara. Bisa dipasang pada salah satu sisi mesin. Untuk memasang kait, masukkan ke dalam alur pada rumah mesin pada salah satu sisinya dan kemudian kencangkan dengan sekrup. Untuk melepasnya, kendurkan sekrup dan kemudian tarik keluar.

Memasang pemegang mata obeng

Pilihan Aksesori

► **Gbr.11:** 1. Pemegang mata obeng 2. Mata obeng

Pasang penahan mata obeng pada tonjolan di bagian bawah mesin sisi sebelah kanan atau kiri dan kencangkan dengan sekrup.

Ketika tidak menggunakan mata obeng, simpan dalam penahan mata obeng. Mata obeng sepanjang 45 mm dapat disimpan di sana.

PENGUNAAN

⚠ PERHATIAN: Selalu masukkan baterai seluruhnya sampai terkunci pada tempatnya. Jika Anda bisa melihat indikator berwarna merah pada sisi atas tombol, berarti tidak terkunci sepenuhnya. Masukkan sepenuhnya sampai indikator berwarna merah tidak terlihat. Jika tidak, baterai bisa terlepas dari mesin secara tidak sengaja, menyebabkan luka pada Anda atau orang di sekitar Anda.

⚠ PERHATIAN: Ketika kecepatan menurun dengan drastis, kurangi muatan atau hentikan mesin untuk menghindari kerusakan mesin.

Pegang mesin kuat-kuat dengan satu tangan sementara tangan yang lain pada bagian bawah baterai untuk mengontrol gerak memutar.

► **Gbr.12**

Pekerjaan pemasangan sekrup


⚠ PERHATIAN: Setel cincin penyetel pada tingkat torsi yang tepat untuk pekerjaan Anda.

⚠ PERHATIAN: Pastikan bahwa mata obeng dimasukkan lurus terhadap kepala sekrup, atau sekrup dan/atau mata obeng bisa rusak.

Posisikan ujung mata obeng pada kepala sekrup dan beri tekanan pada mesin. Jalankan mesin dengan perlahan dan kemudian tingkatkan kecepatan secara bertahap. Lepas picu saklar segera setelah kopeling memotong.

CATATAN: Ketika memasang sekrup kayu, lakukan pengeboran awal untuk membuat lubang pengarah dengan ukuran 2/3 diameter sekrup. Hal tersebut mempermudah pemasangan sekrup dan untuk mencegah pecahnya benda kerja.

Pekerjaan pengeboran

Pertama-tama, putar cincin penyetel sehingga arah panah menunjuk ke tanda . Kemudian lakukan sebagaimana berikut.

Mengebor kayu

Ketika mengebor kayu, hasil terbaik didapat dengan mata bor kayu yang dilengkapi sekrup pemandu. Sekrup pemandu mempermudah pengeboran dengan menarik mata bor ke dalam benda kerja.

Mengebor logam

Untuk mencegah mata bor selip ketika mulai membuat lubang, buatlah takik dengan penitik lalu palu pada titik yang akan dibor. Letakkan ujung mata bor pada takik dan mulailah mengebor.

Gunakan cairan pendingin saat mengebor logam. Pengecualian untuk besi dan kuningan yang harus dibor kering.

⚠PERHATIAN: Menekan mesin secara berlebihan tidak akan mempercepat pengeboran. Bahkan, tekanan yang berlebihan hanya akan merusak mata bor Anda, mengurangi kinerja mesin dan memperpendek usia pakai mesin.

⚠PERHATIAN: Pegang mesin dengan kuat dan berhati-hatilah saat mata bor menembus benda kerja. Akan timbul gaya yang sangat kuat pada mesin/mata bor saat menembus lubang.

⚠PERHATIAN: Mata bor yang macet dapat dicabut dengan menyetel saklar pembalik arah agar mesin berputar berlawanan arah untuk mundur. Tetapi, mesin bisa saja mundur mendadak jika Anda tidak memegangnya dengan kuat.

⚠PERHATIAN: Selalu kencangkan benda kerja menggunakan ragum atau perangkat penahan yang serupa.

⚠PERHATIAN: Jika mesin terus-menerus digunakan sampai kartrid baterai habis, istirahatkan mesin selama 15 menit sebelum melakukannya lagi dengan baterai yang penuh.

PERAWATAN

⚠PERHATIAN: Selalu pastikan bahwa mesin dimatikan dan kartrid baterai dilepas sebelum melakukan pemeriksaan atau perawatan.

PEMBERITAHUAN: Jangan sekali-kali menggunakan bensin, tiner, alkohol, atau bahan sejenisnya. Penggunaan bahan demikian dapat menyebabkan perubahan warna, perubahan bentuk atau timbulnya retakan.

Mengganti sikat karbon

► **Gbr.13:** 1. Tanda batas

Periksa sikat karbon secara teratur.

Lepas sikat karbon ketika aus sampai tanda batas. Jaga agar sikat karbon tetap bersih dan tidak bergeser dari tempatnya. Kedua sikat karbon harus diganti pada waktu yang sama. Hanya gunakan sikat karbon yang sama.

1. Gunakan obeng untuk melepas dua sekrup kemudian lepas tutup belakang.

► **Gbr.14:** 1. Tutup belakang 2. Sekrup

2. Angkat bagian lengan pegas dan tempatkan pada bagian cekung rumah mesin dengan sebuah obeng bermata celah dari poros kecil atau sejenisnya.

► **Gbr.15:** 1. Bagian cekung 2. Pegas 3. Lengan

3. Gunakan tang untuk melepas tutup sikat karbon. Tarik keluar sikat karbon yang aus, masukkan yang baru, dan pasang tutup tempat sikat dengan urutan terbalik.

► **Gbr.16:** 1. Tutup sikat karbon

4. Pastikan untuk memosisikan kawat timah di sisi yang berlawanan dengan lengan.

► **Gbr.17:** 1. Kawat timah 2. Tutup sikat karbon

5. Pastikan bahwa tutup sikat karbon benar-benar terpasang pada lubang tempat sikat.

► **Gbr.18:** 1. Lubang 2. Tutup sikat karbon

6. Pasang lagi tutup belakang kemudian kencangkan dengan dua sekrup.

7. Masukkan kartrid baterai ke dalam mesin dan kembangkan sikat dengan menyalaakan mesin tanpa beban selama kira-kira 1 menit.

8. Periksa mesin ketika menyala dan penggunaan rem elektrik ketika melepas picu sakelar. Jika rem elektrik tidak bekerja dengan baik, mintalah pada Pusat Layanan Pabrik Makita Resmi terdekat untuk memperbaikinya.

Untuk menjaga KEAMANAN dan KEANDALAN mesin, perbaiki, perawatan atau penyetelan lainnya harus dilakukan oleh Pusat Layanan Resmi atau Pabrik Makita; selalu gunakan suku cadang pengganti buatan Makita.

AKSESORI PILIHAN

⚠️ PERHATIAN: Dianjurkan untuk menggunakan aksesori atau perangkat tambahan ini dengan mesin Makita Anda yang ditentukan dalam petunjuk ini. Penggunaan aksesori atau perangkat tambahan lain bisa menyebabkan risiko cedera pada manusia. Hanya gunakan aksesori atau perangkat tambahan sesuai dengan peruntukannya.

Jika Anda memerlukan bantuan lebih rinci berkenaan dengan aksesori ini, tanyakan pada Pusat Layanan Makita terdekat.

- Mata bor
- Mata obeng
- Pemegang mata obeng
- Kait
- Baterai dan pengisi daya asli buatan Makita

CATATAN: Beberapa item dalam daftar tersebut mungkin sudah termasuk dalam paket mesin sebagai aksesori standar. Hal tersebut dapat berbeda dari satu negara ke negara lainnya.

THÔNG SỐ KỸ THUẬT

Kiểu máy:		DDF482
Khả năng khoan	Thép	13 mm
	Gỗ	38 mm
Khả năng vận xiết	Vít bất gỗ	10 mm x 90 mm
	Vít máy	M6
Tốc độ không tải	Cao (2)	0 - 1.900 min ⁻¹
	Thấp (1)	0 - 600 min ⁻¹
Chiều dài tổng thể		185 mm
Điện áp định mức		18 V một chiều
Hộp pin		BL1815N, BL1820, BL1820B BL1830, BL1840, BL1850, BL1830B, BL1840B, BL1850B, BL1860B
Khối lượng tịnh		1,5 kg 1,7 kg

- Do chương trình nghiên cứu và phát triển liên tục của chúng tôi nên các thông số kỹ thuật trong đây có thể thay đổi mà không cần thông báo trước.
- Các thông số kỹ thuật và hộp pin có thể thay đổi tùy theo từng quốc gia.
- Khối lượng kèm theo hộp pin theo Quy trình EPTA 01/2003

Ký hiệu

Phản dưới đây cho biết các ký hiệu được dùng cho thiết bị. Đảm bảo rằng bạn hiểu rõ ý nghĩa của các ký hiệu này trước khi sử dụng.



Đọc tài liệu hướng dẫn.



Chỉ dành cho các quốc gia EU
Không thải bỏ thiết bị điện hoặc bộ pin cùng với các chất thải sinh hoạt!
Đề tuân thủ các Chỉ thị của Châu Âu về thiết bị điện và điện tử thải bỏ, và về pin và ắc quy và pin và ắc quy thải bỏ, và thi hành những chỉ thị này phù hợp với luật lệ quốc gia, các thiết bị điện tử và pin và (các) bộ pin không còn sử dụng được nữa phải được thu nhặt riêng và đưa trở lại một cơ sở tái chế tương thích với môi trường.

Mục đích sử dụng

Dụng cụ này dùng để khoan và bắt vít vào gỗ, kim loại và nhựa.

Cảnh báo an toàn chung dành cho dụng cụ máy

⚠ CẢNH BÁO: Đọc tất cả các cảnh báo an toàn và tất cả hướng dẫn. Việc không tuân theo các cảnh báo và hướng dẫn có thể dẫn đến điện giật, hỏa hoạn và/hoặc thương tích nghiêm trọng.

Lưu giữ tất cả cảnh báo và hướng dẫn để tham khảo sau này.

Thuật ngữ “dụng cụ máy” trong các cảnh báo đề cập đến dụng cụ máy (có dây) được vận hành bằng nguồn điện chính hoặc dụng cụ máy (không dây) được vận hành bằng pin của bạn.

An toàn tại nơi làm việc

- Giữ nơi làm việc sạch sẽ và có đủ ánh sáng.** Nơi làm việc bừa bộn hoặc tối thường dễ gây ra tai nạn.
- Không vận hành dụng cụ máy trong môi trường cháy nổ, ví dụ như môi trường có sự hiện diện của các chất lỏng, khí hoặc bụi dễ cháy.** Các dụng cụ máy tạo tia lửa điện có thể làm bụi hoặc khí bốc cháy.
- Giữ trẻ em và người ngoài tránh xa nơi làm việc khi đang vận hành dụng cụ máy.** Sự xao lãng có thể khiến bạn mất khả năng kiểm soát.

An toàn về Điện

- Phích cắm của dụng cụ máy phải khớp với ổ cắm. Không được sửa đổi phích cắm theo bất kỳ cách nào. Không sử dụng bất kỳ phích chuyên đổi nào với các dụng cụ máy được nối đất (tiếp đất).** Các phích cắm còn nguyên vẹn và ổ cắm phù hợp sẽ giảm nguy cơ điện giật.
- Tránh để cơ thể tiếp xúc với các bề mặt nóng đất hoặc tiếp đất như đường ống, bộ tản nhiệt, bếp ga và tủ lạnh.** Nguy cơ bị điện giật sẽ tăng lên nếu cơ thể bạn được nối đất hoặc tiếp đất.
- Không để dụng cụ máy tiếp xúc với mưa hoặc trong điều kiện ẩm ướt.** Nước lọt vào dụng cụ máy sẽ làm tăng nguy cơ điện giật.
- Không lạm dụng dây điện. Không được phép sử dụng dây để mang, kéo hoặc tháo phích cắm dụng cụ máy. Giữ dây tránh xa nguồn nhiệt, dầu, các mép sắc hoặc các bộ phận chuyển động.** Dây bị hỏng hoặc bị rối sẽ làm tăng nguy cơ điện giật.

5. **Khi vận hành dụng cụ máy ngoài trời, hãy sử dụng dây kéo dài phù hợp cho việc sử dụng ngoài trời.** Việc dùng dây phù hợp cho việc sử dụng ngoài trời sẽ giảm nguy cơ điện giật.
6. **Nếu bắt buộc phải vận hành dụng cụ máy ở nơi ẩm ướt, hãy sử dụng nguồn cấp điện được bảo vệ bằng thiết bị ngắt dòng điện rò (RCD).** Việc sử dụng RCD sẽ làm giảm nguy cơ điện giật.

An toàn Cá nhân

1. **Luôn tỉnh táo, quan sát những việc bạn đang làm và sử dụng những phán đoán theo kinh nghiệm khi vận hành dụng cụ máy.** Không sử dụng dụng cụ máy khi bạn đang mệt mỏi hoặc chịu ảnh hưởng của ma túy, rượu hay thuốc. Chỉ một khoảnh khắc không tập trung khi đang vận hành dụng cụ máy cũng có thể dẫn đến thương tích cá nhân nghiêm trọng.
2. **Sử dụng thiết bị bảo hộ cá nhân.** Luôn đeo thiết bị bảo vệ mắt. Các thiết bị bảo hộ như mũ nạ chống bụi, giày an toàn chống trượt, mũ bảo hộ hay thiết bị bảo vệ thính giác được sử dụng trong các điều kiện thích hợp sẽ giúp giảm thương tích cá nhân.
3. **Tránh vô tình khởi động dụng cụ máy.** Đảm bảo công tắc ở vị trí off (tắt) trước khi nối nguồn điện và/hoặc bộ pin, cắm hoặc di chuyển dụng cụ máy. Việc di chuyển dụng cụ máy khi đang đặt ngón tay ở vị trí công tắc hoặc cấp điện cho dụng cụ máy đang bật thường dễ gây ra tai nạn.
4. **Tháo tất cả các khóa hoặc cờ lê điều chỉnh trước khi bật dụng cụ máy.** Việc cờ lê hoặc khóa vẫn còn gắn vào bộ phận quay của dụng cụ máy có thể dẫn đến thương tích cá nhân.
5. **Không với quá cao.** Luôn giữ thăng bằng tốt và có chỗ để chân phù hợp. Điều này cho phép điều khiển dụng cụ máy tốt hơn trong những tình huống bất ngờ.
6. **Ăn mặc phù hợp.** Không mặc quần áo rộng hay đồ trang sức. Giữ tóc, quần áo và gang tay tránh xa các bộ phận chuyển động. Quần áo rộng, đồ trang sức hay tóc dài có thể mắc vào các bộ phận chuyển động.
7. **Nếu các thiết bị được cung cấp để kết nối các thiết bị thu gom và hút bụi, hãy đảm bảo chúng được kết nối và sử dụng hợp lý.** Việc sử dụng thiết bị thu gom bụi có thể làm giảm những mối nguy hiểm liên quan đến bụi.

Sử dụng và bảo quản dụng cụ máy

1. **Không dùng lực đối với dụng cụ máy.** Sử dụng đúng dụng cụ máy cho công việc của bạn. Sử dụng đúng dụng cụ máy sẽ giúp thực hiện công việc tốt hơn và an toàn hơn theo giá trị định mức được thiết kế của dụng cụ máy đó.
2. **Không sử dụng dụng cụ máy nếu công tắc không bật và tắt được dụng cụ máy đó.** Mọi dụng cụ máy không thể điều khiển được bằng công tắc đều rất nguy hiểm và phải được sửa chữa.

3. **Rút phích cắm ra khỏi nguồn điện và/hoặc ngắt kết nối bộ pin khỏi dụng cụ máy trước khi thực hiện bất kỳ công việc điều chỉnh, thay đổi phụ tùng hay cắt giữ dụng cụ máy nào.** Những biện pháp an toàn phòng ngừa này sẽ giảm nguy cơ vô tình khởi động dụng cụ máy.
4. **Cắt giữ các dụng cụ máy không sử dụng ngoài tầm với của trẻ em và không cho bất kỳ người nào không có hiểu biết về dụng cụ máy hoặc các hướng dẫn này vận hành dụng cụ máy.** Dụng cụ máy sẽ rất nguy hiểm nếu được sử dụng bởi những người dùng chưa qua đào tạo.
5. **Bảo quản dụng cụ máy.** Kiểm tra tình trạng lệch trục hoặc bó kẹt của các bộ phận chuyển động, hiện tượng nứt vỡ của các bộ phận và mọi tình trạng khác mà có thể ảnh hưởng đến hoạt động của dụng cụ máy. Nếu có hỏng hóc, hãy sửa chữa dụng cụ máy trước khi sử dụng. Nhiều tai nạn xảy ra là do không bảo quản tốt dụng cụ máy.
6. **Luôn giữ cho dụng cụ cắt được sắc bén và sạch sẽ.** Những dụng cụ cắt được bảo quản tốt có mép cắt sắc sẽ ít bị kẹt hơn và dễ điều khiển hơn.
7. **Sử dụng dụng cụ máy, phụ tùng và đầu dụng cụ cắt, v.v... theo các hướng dẫn này, có tính đến điều kiện làm việc và công việc được thực hiện.** Việc sử dụng dụng cụ máy cho các công việc khác với công việc dự định có thể gây nguy hiểm.

Sử dụng và bảo quản dụng cụ dùng pin

1. **Chỉ sạc pin lại với bộ sạc do nhà sản xuất quy định.** Bộ sạc phù hợp với một loại bộ pin này có thể gây ra nguy cơ hỏa hoạn khi được dùng cho một bộ pin khác.
2. **Chỉ sử dụng các dụng cụ máy với các bộ pin được quy định cụ thể.** Việc sử dụng bất cứ bộ pin nào khác có thể gây ra thương tích và hỏa hoạn.
3. **Khi không sử dụng bộ pin, hãy giữ tránh xa các đồ vật khác bằng kim loại, chẳng hạn như kẹp giấy, tiền xu, chìa khóa, đinh, ốc vít hoặc các vật nhỏ bằng kim loại mà có thể làm nối tất các đầu cực pin.** Các đầu cực pin bị đoản mạch có thể gây cháy hoặc hỏa hoạn.
4. **Trong điều kiện sử dụng quá mức, pin có thể bị chảy nước; hãy tránh tiếp xúc.** Nếu vô tình tiếp xúc với pin bị chảy nước, hãy rửa sạch bằng nước. Nếu dung dịch từ pin tiếp xúc với mắt, cần đi khám bác sĩ thêm. Dung dịch chảy ra từ pin có thể gây rát da hoặc bỏng.

Bảo dưỡng

1. **Đề nghị viên sửa chữa đủ trình độ bảo dưỡng dụng cụ máy của bạn và chỉ sử dụng các bộ phận thay thế đồng nhất.** Việc này sẽ đảm bảo duy trì được độ an toàn của dụng cụ máy.
2. **Tuân theo hướng dẫn dành cho việc bôi trơn và thay phụ tùng.**
3. **Giữ tay cầm khô, sạch, không dính dầu và mỡ.**

Cảnh báo an toàn đối với máy khoan & vận vít chạy pin

1. Sử dụng tay cầm (các tay cầm) phụ nếu được cung cấp kèm theo dụng cụ. Việc mất khả năng kiểm soát có thể dẫn đến thương tích cá nhân.
2. Cầm dụng cụ máy tại bề mặt kẹp cách điện khi thực hiện một thao tác trong đó phụ kiện cắt có thể tiếp xúc với dây dẫn điện kín bên dưới. Phụ kiện cắt tiếp xúc với dây dẫn "có điện" có thể khiến các bộ phận kim loại bị hở của dụng cụ máy "có điện" và làm cho người vận hành bị điện giật.
3. Cầm dụng cụ máy tại bề mặt kẹp cách điện khi thực hiện một thao tác trong đó bộ phận kẹp có thể tiếp xúc với dây dẫn điện kín bên dưới. Bộ phận kẹp tiếp xúc với dây dẫn "có điện" có thể khiến các bộ phận kim loại bị hở của dụng cụ máy "có điện" và làm cho người vận hành bị điện giật.
4. Luôn chắc chắn rằng bạn có chỗ tựa chân vững chắc. Đảm bảo rằng không có ai ở bên dưới khi sử dụng dụng cụ ở những vị trí trên cao.
5. Cầm chắc dụng cụ.
6. Giữ tay tránh xa các bộ phận quay.
7. Không để mặc dụng cụ hoạt động. Chỉ vận hành dụng cụ khi cầm trên tay.
8. Không chạm vào mũi khoan hoặc phi gia công ngay sau khi vận hành; chúng có thể rất nóng và có thể gây bỏng da.
9. Một số vật liệu có thể chứa hóa chất độc hại. Phải cẩn trọng tránh hít phải bụi và tiếp xúc với da. Tuân theo dữ liệu an toàn của nhà cung cấp vật liệu.
10. Nếu mũi khoan không thể nói lòng ngay khi bần mủi ngàm kẹp, hãy dùng kim để kéo nó ra. Trong trường hợp đó, việc dùng tay kéo mũi khoan ra có thể khiến các cạnh mép sắc nhọn gây thương tích cho bạn.

LƯU GIỮ CÁC HƯỚNG DẪN NÀY.

⚠ CẢNH BÁO: KHÔNG vi phạm mái hay quần thuộc với sản phẩm (có được do sử dụng nhiều lần) mà không tuân thủ nghiêm ngặt các quy định về an toàn dành cho sản phẩm này. VIỆC DÙNG SAI hoặc không tuân theo các quy định về an toàn được nêu trong tài liệu hướng dẫn này có thể dẫn đến thương tích cá nhân nghiêm trọng.

Hướng dẫn quan trọng về an toàn dành cho hộp pin

1. Trước khi sử dụng hộp pin, hãy đọc kỹ tất cả các hướng dẫn và dấu hiệu cảnh báo trên (1) bộ sạc pin, (2) pin và (3) sản phẩm sử dụng pin.
2. Không tháo rời hộp pin.
3. Nếu thời gian vận hành ngắn hơn quá mức, hãy ngừng vận hành ngay lập tức. Điều này có thể dẫn đến rủi ro quá nhiệt, có thể gây bỏng và thậm chí là nổ.

4. Nếu chất điện phân rơi vào mắt, hãy rửa sạch bằng nước sạch và đến cơ sở y tế ngay lập tức. Chất này có thể khiến bạn giảm thị lực.
 5. Không để hộp pin ở tình trạng đoản mạch:
 - (1) Không chạm vào cực pin bằng vật liệu dẫn điện.
 - (2) Tránh cất giữ hộp pin trong hộp có các vật kim loại khác như đinh, tiền xu, v.v...
 - (3) Không được để hộp pin tiếp xúc với nước hoặc mưa.
- Đoản mạch pin có thể gây ra dòng điện lớn, quá nhiệt, có thể gây bỏng và thậm chí là hỏng hóc.
6. Không cất giữ dụng cụ và hộp pin ở nơi nhiệt độ có thể lên tới hoặc vượt quá 50°C.
 7. Không đốt hộp pin ngay cả khi hộp pin đã bị hư hại nặng hoặc hư hỏng hoàn toàn. Hộp pin có thể nổ khi tiếp xúc với lửa.
 8. Hãy cẩn trọng không làm rơi hoặc làm méo pin.
 9. Không sử dụng pin đã hỏng.
 10. Pin nân lithium-ion là đối tượng có yêu cầu bắt buộc theo Luật Hàng hoá Nguy hiểm. Đối với vận tải thương mại, ví dụ như vận tải do bên thứ ba, đại lý giao nhận, thì yêu cầu đặc biệt về đóng gói và nhãn ghi phải được giám sát. Để chuẩn bị cho mặt hàng cần vận chuyển, cần phải tham khảo ý kiến chuyên gia về vật liệu nguy hiểm. Nếu được, vui lòng tuân thủ các quy định quốc gia chi tiết hơn. Buộc hoặc niêm phong các tiếp điểm mở và đóng gói pin theo cách đó để nó không thể di chuyển trong bao bì.
 11. Tuân theo các quy định của địa phương liên quan đến việc thải bỏ pin.
 12. Chỉ sử dụng pin cho các sản phẩm Makita chỉ định. Lắp pin vào sản phẩm không thích hợp có thể gây ra hỏa hoạn, quá nhiệt, nổ, hoặc rò chất điện phân.

LƯU GIỮ CÁC HƯỚNG DẪN NÀY.

⚠ THẬN TRỌNG: Chỉ sử dụng pin Makita chính hãng. Việc sử dụng pin không chính hãng Makita, hoặc pin đã được sửa đổi, có thể dẫn đến nổ pin gây ra cháy, thương tích và thiệt hại cá nhân. Nó cũng sẽ làm mất hiệu lực bảo hành của Makita dành cho dụng cụ của Makita và bộ sạc.

Mẹo duy trì tuổi thọ tối đa cho pin

1. Sạc hộp pin trước khi pin bị xả điện hoàn toàn. Luôn dừng việc vận hành dụng cụ và sạc pin khi bạn nhận thấy công suất dụng cụ bị giảm.
2. Không được phép sạc lại một hộp pin đã được sạc đầy. Sạc quá mức sẽ làm giảm tuổi thọ của pin.
3. Sạc pin ở nhiệt độ phòng 10°C - 40°C. Để cho hộp pin nóng nguội lại dần trước khi sạc pin.
4. Sạc pin sáu tháng một lần nếu bạn không sử dụng dụng cụ trong một thời gian dài (hơn sáu tháng).

MÔ TẢ CHỨC NĂNG

⚠ THẬN TRỌNG: Luôn đảm bảo rằng đã tắt dụng cụ và tháo hộp pin ra trước khi thực hiện việc điều chỉnh hoặc kiểm tra chức năng trên dụng cụ.

Lắp hoặc tháo hộp pin

⚠ THẬN TRỌNG: Luôn tắt dụng cụ trước khi lắp hoặc tháo hộp pin.

⚠ THẬN TRỌNG: Giữ dụng cụ và hộp pin thật chắc khi lắp hoặc tháo hộp pin. Không giữ dụng cụ và hộp pin thật chắc có thể làm trượt chúng khỏi tay và làm hư hỏng dụng cụ và hộp pin hoặc gây thương tích cá nhân.

► **Hình1:** 1. Đèn chỉ báo màu đỏ 2. Nút 3. Hộp pin

Đề tháo hộp pin, vừa trượt pin ra khỏi dụng cụ vừa đẩy trượt nút ở phía trước hộp pin.

Để lắp hộp pin, đặt thẳng hàng phần chốt nhỏ ra của hộp pin vào phần rãnh nằm trên vỏ và trượt hộp pin vào vị trí. Đưa hộp pin vào cho đến khi chốt khóa vào đúng vị trí với một tiếng “cách” nhẹ. Nếu bạn vẫn còn nhìn thấy đèn chỉ báo màu đỏ ở mặt trên của nút, điều đó có nghĩa là chốt vẫn chưa được khóa hoàn toàn.

⚠ THẬN TRỌNG: Luôn lắp hộp pin khớp hoàn toàn vào vị trí cho đến khi không thể nhìn thấy đèn chỉ báo màu đỏ. Nếu không, hộp pin có thể vô tình rơi ra khỏi dụng cụ, gây thương tích cho bạn hoặc người khác xung quanh.

⚠ THẬN TRỌNG: Không được dùng sức lắp hộp pin. Nếu hộp pin không nhẹ nhàng trượt vào vị trí, có nghĩa là pin vẫn chưa được lắp đúng.

Hệ thống bảo vệ pin

Pin Lithium-ion có dấu sao

► **Hình2:** 1. Dấu sao

Các pin Lithium-ion có dấu sao được trang bị hệ thống bảo vệ. Hệ thống này sẽ tự động ngắt nguồn điện đến dụng cụ để kéo dài tuổi thọ pin.

Dụng cụ sẽ tự động dừng vận hành khi dụng cụ và/hoặc pin ở một trong những tình huống sau đây:

Quá tải:

Dụng cụ được vận hành theo cách gây ra dòng điện cao bất thường.

Trong trường hợp này, hãy tắt dụng cụ và ngừng ứng dụng làm cho dụng cụ trở nên quá tải. Sau đó bật dụng cụ lên để khởi động lại.

Nếu dụng cụ không khởi động, pin đang bị quá nhiệt. Trong tình huống này, hãy để pin nguội trở lại trước khi bật dụng cụ lại.

Điện thế pin thấp:

Dung lượng pin còn lại quá thấp và dụng cụ sẽ không hoạt động. Trong tình huống này, hãy tháo và sạc pin lại.

Chỉ báo dung lượng pin còn lại

Chỉ dành cho hộp pin có đèn chỉ báo

► **Hình3:** 1. Các đèn chỉ báo 2. Nút Check (kiểm tra)

Ấn nút check (kiểm tra) trên hộp pin để chỉ báo dung lượng pin còn lại. Các đèn chỉ báo bật sáng lên trong vài giây.

Các đèn chỉ báo			Dung lượng còn lại
Bật sáng	Tắt	Nhấp nháy	
■ ■ ■ ■			75% đến 100%
■ ■ ■ □			50% đến 75%
■ ■ □ □			25% đến 50%
■ □ □ □			0% đến 25%
■ □ □ □		▬ □ □ □	Sạc pin.
■ ■ □ □		▬ □ □ □	Pin có thể đã bị hỏng.
□ □ ■ ■		▬ □ □ □	

LƯU Ý: Tùy thuộc vào các điều kiện sử dụng và nhiệt độ xung quanh, việc chỉ báo có thể khác biệt một chút so với dung lượng thực sự.

Hoạt động công tắc

► **Hình4:** 1. Cần khởi động công tắc

⚠ THẬN TRỌNG: Trước khi lắp hộp pin vào dụng cụ, luôn luôn kiểm tra xem cần khởi động công tắc có hoạt động bình thường hay không và trả về vị trí “OFF” (TAT) khi nhà ra.

Để khởi động dụng cụ, chỉ cần kéo cần khởi động công tắc. Tốc độ của dụng cụ được tăng lên bằng cách tăng áp lực lên cần khởi động công tắc. Nhà cần khởi động công tắc ra để dừng.

Bật sáng đèn phía trước

► **Hình5:** 1. Đèn

⚠ THẬN TRỌNG: Đừng nhìn thẳng trực tiếp vào đèn hoặc nguồn sáng.

Kéo cần khởi động công tắc để bật sáng đèn. Đèn sẽ vẫn sáng trong lúc cần khởi động công tắc đang được kéo. Đèn sẽ tắt từ 10 -15 giây sau khi nhà cần khởi động.

LƯU Ý: Dùng vải khô để lau bụi bẩn trên kính đèn. Cần thận không được làm xước kính đèn, nếu không đèn có thể bị giảm độ sáng.

Hoạt động công tắc đảo chiều

► **Hình6:** 1. Cần công tắc đảo chiều

⚠ THẬN TRỌNG: Luôn luôn kiểm tra hướng xoay trước khi vận hành.

⚠ THẬN TRỌNG: Chỉ sử dụng công tắc đảo chiều sau khi dụng cụ đã dừng hoàn toàn. Việc thay đổi hướng xoay trước khi dụng cụ dừng có thể làm hỏng dụng cụ.

⚠ THẬN TRỌNG: Khi vận hành dụng cụ, luôn đặt nút công tắc đảo chiều ở vị trí chính giữa.

Dụng cụ này có một công tắc đảo chiều để thay đổi chiều xoay. Nhấn nút công tắc đảo chiều từ mặt A để xoay theo chiều kim đồng hồ hoặc từ mặt B để xoay ngược chiều kim đồng hồ. Khi nút công tắc đảo chiều ở vị trí chính giữa, không thể kéo cần khởi động công tắc được.

Thay đổi tốc độ

► **Hình7:** 1. Cần thay đổi tốc độ

⚠ THẬN TRỌNG: Luôn để cần thay đổi tốc độ vào thật đúng vị trí. Nếu bạn vận hành dụng cụ với cần thay đổi tốc độ đặt ở một nửa giữa vị trí "1" và "2", dụng cụ có thể bị hư hỏng.

⚠ THẬN TRỌNG: Không được sử dụng cần thay đổi tốc độ trong lúc dụng cụ đang chạy. Dụng cụ có thể bị hư hỏng.

Định vị cần thay đổi tốc độ	Tốc độ	Mô-men xoay	Vận hành phù hợp
1	Thấp	Cao	Vận hành tải nặng
2	Cao	Thấp	Vận hành tải nhẹ

Để thay đổi tốc độ, trước tiên hãy tắt dụng cụ. Chọn vị trí "2" cho tốc độ cao và vị trí "1" cho tốc độ thấp nhưng có mô-men xoay cao. Đảm bảo rằng cần thay đổi tốc độ được đặt ở đúng vị trí trước khi vận hành. Nếu tốc độ dụng cụ giảm xuống đáng kể trong khi vận hành với "2", thì hãy trượt cần sang "1" và khởi động lại việc vận hành.

Điều chỉnh lực vận xiết

► **Hình8:** 1. Vòng điều chỉnh 2. Vòng chia độ 3. Mũi tên

Lực vận xiết có thể được điều chỉnh theo 22 các mức bằng cách xoay vòng điều chỉnh. Căn chỉnh vạch chia độ bằng mũi tên trên thân máy. Bạn có thể đạt được mô-men xoay lực vận xiết nhỏ nhất khi ở 1 và mô-men xoay lớn nhất khi ở vạch chỉ 22.

Bộ ly hợp sẽ trượt đến theo các mức lực xoắn khác nhau khi thiết lập từ số 1 đến 21. Bộ ly hợp sẽ không hoạt động khi ở vạch chỉ 22.

Trước khi vận hành thực tế, hãy bắt thử một ốc vít vào vật liệu hoặc mẫu vật liệu tương tự để xác định mức lực xoắn nào cần cho trường hợp sử dụng cụ thể.

Sau đây là hướng dẫn sơ lược về mối quan hệ giữa kích thước vít và vòng chia độ.

Vòng chia độ		1	2	3	4	5	6	7	8	9	10	11	12	13	14	15	16	17	18	19	20	21
Vít máy		M4					M5										M6					
Vít bắt gỗ	Gỗ mềm (chẳng hạn như gỗ thông)	-					φ3,5 x 22					φ4,1 x 38					-					
	Gỗ cứng (chẳng hạn như gỗ sến)	-					φ3,5 x 22					φ4,1 x 38					-					

LẮP RÁP

⚠ THẬN TRỌNG: Luôn đảm bảo rằng đã tắt dụng cụ và tháo hộp pin ra trước khi thực hiện bất cứ thao tác nào trên dụng cụ.

Lắp hoặc tháo gỡ mũi bắt vít/mũi khoan

► **Hình9:** 1. Trụ ngoài 2. Đóng 3. Mở

Xoay trụ ngoài ngược chiều kim đồng hồ để mở các mẫu ngàm kẹp. Đặt mũi bắt vít/mũi khoan vào trong ngàm kẹp hết mức có thể. Xoay trụ ngoài theo chiều kim đồng hồ để vận chặt ngàm kẹp. Để tháo gỡ mũi bắt vít/mũi khoan, hãy xoay trụ ngoài ngược chiều kim đồng hồ.

Lắp móc treo

⚠ THẬN TRỌNG: Khi lắp đặt móc treo, luôn siết vít thật chặt. Nếu không làm vậy, móc treo có thể rơi ra khỏi dụng cụ và gây thương tích cá nhân.

► **Hình10:** 1. Rãnh 2. Móc treo 3. Vít

Móc treo rất thuận tiện cho việc treo tạm dụng cụ. Móc treo có thể được lắp ở cả hai bên của dụng cụ. Để lắp đặt móc treo, hãy lắp nó vào rãnh trên vỏ dụng cụ trên bất cứ mặt nào và sau đó siết chặt lại bằng vít. Để tháo ra, hãy vặn lỏng vít rồi lấy móc treo ra.

Lắp hộp chứa đầu mũi vít

Phụ kiện tùy chọn

► **Hình11:** 1. Hộp chứa đầu mũi vít 2. Mũi bắt vít

Lắp vừa khít hộp chứa đầu mũi vít vào phần nhô ra ở chân dụng cụ ở cả bên phải hoặc trái và vặn chặt bằng vít.

Khi không sử dụng mũi bắt vít, hãy giữ nó trong hộp chứa đầu mũi vít. Hộp chứa đầu mũi vít có thể giữ mũi bắt vít dài 45 mm.

VẬN HÀNH

⚠ THẬN TRỌNG: Luôn luôn lắp hộp pin vào hết mức cho đến khi nó khóa đúng vào vị trí. Nếu bạn vẫn còn nhìn thấy đèn chỉ báo màu đỏ ở mặt trên của nút, điều đó có nghĩa là chốt vẫn chưa được khóa hoàn toàn. Lắp chốt hoàn toàn vào vị trí cho đến khi không thể nhìn thấy đèn chỉ báo màu đỏ. Nếu không, hộp pin có thể vỡ tinh rơi ra khỏi dụng cụ, gây thương tích cho bạn hoặc người khác xung quanh.

⚠ THẬN TRỌNG: Khi tốc độ giảm xuống đáng kể, hãy giảm tải hoặc dừng dụng cụ để tránh làm hỏng dụng cụ.

Giữ dụng cụ thật chặt bằng một tay trên tay cầm và tay kia trên phần đáy hộp pin để kiểm soát thao tác vận xoắn.

► **Hình12**

Thao tác bắt vít


⚠ THẬN TRỌNG: Chính vòng điều chỉnh đến mức lực xoắn phù hợp với công việc của bạn.

⚠ THẬN TRỌNG: Đảm bảo rằng mũi bắt vít được lắp thẳng đứng vào đầu vít, nếu không vít và/hoặc mũi bắt vít có thể bị hư hỏng.

Đặt đỉnh mũi bắt vít vào trong đầu vít và tác dụng lực lên dụng cụ. Khởi động dụng cụ từ từ, sau đó tăng tốc độ dần dần. Nhà cần khởi động công tắc ngay khi bộ lý hợp vừa ngắt.

LƯU Ý: Khi vận các vít bắt gỗ, hãy khoan trước một lỗ định hướng bằng 2/3 đường kính vít đó. Điều này giúp bắt vít dễ dàng hơn và ngăn phôi gia công bị chia tách.

Thao tác khoan

Đầu tiên, xoay vòng điều chỉnh sao cho vạch chuẩn chỉ vào vạch chỉ . Sau đó tiến hành như sau.

Khoan vào gỗ

Khi khoan vào gỗ, để có kết quả tốt nhất cần sử dụng các mũi khoan dùng để khoan gỗ và vít dẫn. Vít dẫn hướng giúp khoan dễ dàng hơn bằng cách kéo đầu mũi khoan vào trong phôi gia công.

Khoan vào kim loại

Để phòng ngừa đầu mũi khoan bị trượt ra lúc bắt đầu khoan lỗ, hãy tạo một vết lõm bằng cách dùng dùi đục tâm và đồng vào điểm cần khoan. Đặt điểm đầu mũi khoan vào chỗ lõm này và bắt đầu khoan. Sử dụng dầu nhờn để cắt khi khoan kim loại. Trừ các trường hợp dùng súng và đồng thau cần phải được khoan khô.

⚠ THẬN TRỌNG: Nhấn dụng cụ quá mức sẽ không tăng tốc độ khoan lên được. Trên thực tế, việc nhấn mạnh thêm này sẽ chỉ gây hỏng đầu mũi khoan của bạn, làm giảm hiệu năng và tuổi thọ hoạt động của dụng cụ.

⚠ THẬN TRỌNG: Giữ chặt dụng cụ và chuẩn bị ghim lực quán tính lại khi mũi khoan xuyên thủng phôi gia công. Sẽ có lực quán tính rất lớn tác động lên dụng cụ/đầu mũi khoan khi lỗ khoan được xuyên thủng.

⚠ THẬN TRỌNG: Đầu mũi khoan bị kẹt có thể được tháo ra đơn giản bằng cách đặt công tắc đảo chiều sang chế độ xoay ngược lại để rút mũi khoan ra. Tuy nhiên, dụng cụ có thể quay ngược ra bất ngờ nếu bạn không giữ chặt.

⚠ THẬN TRỌNG: Luôn luôn giữ chặt các phôi gia công bằng kim hoặc dụng cụ kẹp tương tự.

⚠ THẬN TRỌNG: Nếu dụng cụ được vận hành liên tục cho đến khi hộp pin đã bị xả kiệt, hãy để dụng cụ nghỉ 15 phút trước khi thực hiện tiếp bằng pin mới.

BẢO TRÌ

⚠ THẬN TRỌNG: Hãy luôn chắc chắn rằng dụng cụ đã được tắt và hộp pin đã được tháo ra trước khi cố gắng thực hiện việc kiểm tra hay bảo dưỡng.

CHÚ Ý: Không được phép dùng xăng, ét xăng, dung môi, cồn hoặc hóa chất tương tự. Có thể xảy ra hiện tượng mất màu, biến dạng hoặc nứt vỡ.

Thay chổi than

► Hình13: 1. Vạch giới hạn

Kiểm tra chổi than thường xuyên.

Thay chổi than khi chúng bị mòn dưới vạch giới hạn. Giữ các chổi than sạch và có thể trượt dễ dàng vào chỗ giữ chổi. Cả hai chổi than phải được thay thế cùng một lúc. Chỉ sử dụng các chổi than giống nhau.

1. Dùng tuốc-nơ-vít để tháo hai con ốc, sau đó tháo nắp sau ra.

► Hình14: 1. Nắp sau 2. Vít

2. Nhấc phần tay cầm của lò xo rồi sau đó đặt nó vào phần hốc rãnh của vỏ bằng tuốc-nơ-vít có đầu rãnh tiết diện nhỏ hoặc dụng cụ tương tự.

► Hình15: 1. Phần hốc rãnh 2. Lò xo 3. Tay cầm

3. Dùng kim để tháo các nắp chổi than trên các chổi than. Hãy tháo các chổi than đã bị mòn, lắp vào các chổi mới và vận chặt lại các nắp chổi than theo chiều ngược lại.

► Hình16: 1. Nắp chổi than

4. Đảm bảo rằng đã đặt dây tín hiệu vào bên đối diện của tay cầm.

► Hình17: 1. Dây tín hiệu 2. Nắp chổi than

5. Đảm bảo rằng nắp chổi than vừa khít vào các lỗ trong bộ phận giữ chổi thật chặt.

► Hình18: 1. Lỗ 2. Nắp chổi than

6. Lắp đặt lại nắp sau và vận chặt hai con ốc.

7. Lắp hộp pin vào dụng cụ và làm cho các chổi vừa khít với nhau bằng cách chạy dụng cụ không tải khoảng 1 phút.

8. Kiểm tra dụng cụ trong khi đang chạy và vận hành của phanh điện tử khi nhà bộ khởi động công tắc. Nếu phanh điện tử hoạt động không tốt, hãy nhờ Trung tâm được ủy quyền của Makita hoặc Trung Tâm Bảo trì sửa chữa.

Để đảm bảo ĐỘ AN TOÀN và ĐỘ TIN CẬY của sản phẩm, việc sửa chữa hoặc bất cứ thao tác bảo trì, điều chỉnh nào đều phải được thực hiện bởi các Trung tâm Dịch vụ Nhà máy hoặc Trung tâm được Makita Ủy quyền và luôn sử dụng các phụ tùng thiết bị thay thế của Makita.

PHỤ KIỆN TỰY CHỌN

⚠THẬN TRỌNG: Các phụ kiện hoặc phụ tùng gắn thêm này được khuyến cáo sử dụng với dụng cụ Makita của bạn theo như quy định trong hướng dẫn này. Việc sử dụng bất cứ phụ kiện hoặc phụ tùng gắn thêm nào khác đều có thể gây ra rủi ro thương tích cho người. Chỉ sử dụng phụ kiện hoặc phụ tùng gắn thêm cho mục đích đã quy định sẵn của chúng.

Nếu bạn cần bất kỳ sự hỗ trợ nào để biết thêm chi tiết về các phụ tùng này, hãy hỏi Trung tâm Dịch vụ của Makita tại địa phương của bạn.

- Các mũi khoan
- Mũi bắt vít
- Hộp chứa đầu mũi vít
- Móc treo
- Pin và bộ sạc chính hãng của Makita

LƯU Ý: Một số mục trong danh sách có thể được bao gồm trong gói dụng cụ làm phụ kiện tiêu chuẩn. Các mục này ở mỗi quốc gia có thể khác nhau.

ข้อมูลจำเพาะ

รุ่น:	DDF482	
ความสามารถในการเจาะ	โลหะ	13 mm
	ไม้	38 mm
ความสามารถในการขันแน่น	สกรูยึดไม้	10 mm x 90 mm
	สกรูยึดโลหะ	M6
ความเร็วหมุนเปล่า	สูง (2)	0 - 1,900 min ⁻¹
	ต่ำ (1)	0 - 600 min ⁻¹
ความยาวโดยรวม	185 mm	
แรงดันไฟฟ้าสูงสุด	D.C. 18 V	
ด้ามแบตเตอรี่	BL1815N, BL1820, BL1820B	BL1830, BL1840, BL1850, BL1830B, BL1840B, BL1850B, BL1860B
น้ำหนักสุทธิ	1.5 kg	1.7 kg

- เนื่องจากการค้นคว้าวิจัยและพัฒนาอย่างต่อเนื่อง ข้อมูลจำเพาะในเอกสารฉบับนี้อาจเปลี่ยนแปลงได้โดยไม่ต้องแจ้งให้ทราบล่วงหน้า
- ข้อมูลจำเพาะและด้ามแบตเตอรี่อาจแตกต่างกันไปในแต่ละประเทศ
- น้ำหนักรวมด้ามแบตเตอรี่ตามข้อบังคับของ EPTA 01/2003

สัญลักษณ์

ต่อไปนี้เป็นสัญลักษณ์ที่ใช้สำหรับอุปกรณ์ โปรดศึกษาความหมายของสัญลักษณ์ให้เข้าใจก่อนการใช้งาน



อ่านคู่มือการใช้งาน



สำหรับประเทศในสหภาพยุโรปเท่านั้น ห้ามทิ้งอุปกรณ์ไฟฟ้าหรือชุดแบตเตอรี่รวมกับขยะครัวเรือนทั่วไป! เพื่อให้เป็นไปตามกฎระเบียบของยุโรปเกี่ยวกับขยะจำพวกอุปกรณ์ไฟฟ้าและอิเล็กทรอนิกส์ และขยะจำพวกแบตเตอรี่และหม้อสะสมไฟฟ้า และการปฏิบัติตามกฎหมายในประเทศ ต้องเก็บอุปกรณ์ไฟฟ้าและแบตเตอรี่และชุดแบตเตอรี่ทั้งหมดอายุการใช้งานแล้วแยกต่างหาก และส่งกลับไปยังศูนย์รีไซเคิลที่เป็นมิตรต่อสิ่งแวดล้อม

จุดประสงค์การใช้งาน

เครื่องมือนี้ใช้สำหรับเจาะและขันสกรูลงในไม้ โลหะ และพลาสติก

คำเตือนด้านความปลอดภัยของเครื่องมือไฟฟ้าทั่วไป

คำเตือน: อ่านคำเตือนด้านความปลอดภัยและคำแนะนำทั้งหมด การไม่ปฏิบัติตามคำเตือนและคำแนะนำดังกล่าวอาจส่งผลให้ไฟฟ้าช็อต ไฟไหม้ และ/หรือได้รับบาดเจ็บร้ายแรง

เก็บรักษาคำเตือนและคำแนะนำทั้งหมดไว้เป็นข้อมูลอ้างอิงในอนาคต

คำว่า “เครื่องมือไฟฟ้า” ในคำเตือนนี้หมายถึงเครื่องมือไฟฟ้า (มีสาย) ที่ทำงานโดยใช้กระแสไฟฟ้าหรือเครื่องมือไฟฟ้า (ไร้สาย) ที่ทำงานโดยใช้แบตเตอรี่

ความปลอดภัยของพื้นที่ทำงาน

1. ดูแลพื้นที่ทำงานให้มีความสะอาดและมีแสงไฟสว่าง พื้นที่รกกระระเกะหรือมีสิ่งกีดขวางนำไปสู่การเกิดอุบัติเหตุได้
2. อย่าใช้งานเครื่องมือไฟฟ้าในสภาพที่อาจเกิดการระเบิด เช่น ในสถานที่ที่มีของเหลว ก๊าซ หรือฝุ่นผงที่มีคุณสมบัติไวไฟ เครื่องมือไฟฟ้าอาจสร้างประกายไฟและจุดชนวนฝุ่นผงหรือก๊าซดังกล่าว
3. ดูแลไฟให้มีเต็กร หรือบุคคลอื่นอยู่ในบริเวณที่กำลังใช้เครื่องมือไฟฟ้า การมีสิ่งรบกวนสมาธิอาจทำให้คุณสูญเสียการควบคุม

ความปลอดภัยด้านไฟฟ้า

1. ปลั๊กของเครื่องมือไฟฟ้าต้องพอดีกับตัวรับ อย่าดัดแปลงปลั๊กไม่ว่ากรณีใดๆ อย่าใช้ปลั๊กอะแดปเตอร์กับเครื่องมือไฟฟ้าที่ต่อสายดิน ปลั๊กที่ไม่ถูกดัดแปลงและตัวรับที่เข้ากันพอดีจะช่วยลดความเสี่ยงของการเกิดไฟฟ้าช็อต
2. ระมัดระวังอย่าให้ร่างกายสัมผัสกับพื้นผิวที่ต่อสายดิน เช่น ท่อ เครื่องนำความร้อน เต้าหุงต้ม และตู้เย็น มีความเสี่ยงที่จะเกิดไฟฟ้ช็อตสูงขึ้น หากร่างกายของคุณสัมผัสกับพื้น
3. อย่าให้เครื่องมือไฟฟ้าถูกน้ำหรืออยู่ในสภาพเปียกชื้น น้ำที่ไหลเข้าไปในเครื่องมือไฟฟ้าจะเพิ่มความเสี่ยงของการเกิดไฟฟ้าช็อต
4. อย่าใช้สายไฟอย่างไม่เหมาะสม อย่าใช้สายไฟเพื่อยก ดึง หรือถอดปลั๊กเครื่องมือไฟฟ้า เก็บสายไฟให้ห่างจากความร้อน น้ำมัน ของมีคม หรือชิ้นส่วนที่เคลื่อนที่ สายที่ชำรุดหรือพันกันจะเพิ่มความเสี่ยงของการเกิดไฟฟ้าช็อต
5. ขณะที่ใช้งานเครื่องมือไฟฟ้านอกอาคาร ควรใช้สายต่อพ่วงที่เหมาะสมกับงานภายนอกอาคาร การใช้สายที่เหมาะสมกับงานภายนอกอาคารจะลดความเสี่ยงของการเกิดไฟฟ้าช็อต
6. หากต้องใช้งานเครื่องมือไฟฟ้าในสถานที่เปียกชื้น ให้ใช้อุปกรณ์ป้องกันกระแสไฟรั่ว (RCD) การใช้ RCD จะลดความเสี่ยงของการเกิดไฟฟ้าช็อต

ความปลอดภัยส่วนบุคคล

1. ให้ระมัดระวังและเฝ้าดูอยู่เสมอขณะใช้งานเครื่องมือไฟฟ้า อย่าใช้งานเครื่องมือไฟฟ้าในขณะที่คุณกำลังเหนื่อย หรือในสภาพที่มึนเมาจากยาเสพติด เครื่องดื่ม แอลกอฮอล์ หรือการเข้าย้า ช่วงขณะที่ขาดความระมัดระวังเมื่อกำลังใช้งานเครื่องมือไฟฟ้าอาจทำให้ได้รับบาดเจ็บร้ายแรง

2. ใช้อุปกรณ์ป้องกันส่วนบุคคล สวมแว่นตาป้องกันเสมอ อุปกรณ์ป้องกัน เช่น หน้ากากกันฝุ่น รองเท้านิรภัยกันลื่น หมวกนิรภัย หรือเครื่องป้องกันการได้ยินที่ใช้ในสภาพที่เหมาะสมจะช่วยลดการบาดเจ็บ
3. ป้องกันไม่ให้เกิดการเปิดใช้งานโดยไม่ตั้งใจ ตรวจสอบให้แน่ใจว่าสวิตช์ปิดอยู่ก่อนที่จะเชื่อมต่อกับแหล่งจ่ายไฟ และ/หรือชุดแบตเตอรี่ รวมทั้งตรวจสอบก่อนการยกหรือเคลื่อนย้ายเครื่องมือ การสอดนิ้วมือบริเวณสวิตช์เพื่อถือเครื่องมือไฟฟ้า หรือการชาร์จไฟเครื่องมือไฟฟ้าในขณะที่เปิดสวิตช์อยู่อาจนำไปสู่การเกิดอุบัติเหตุ
4. นำกฎแบริบตั้งหรือประจำออกก่อนที่จะเปิดเครื่องมือไฟฟ้า ประแจหรือกฎแบริบที่เสียบค้างอยู่ในชิ้นส่วนที่หมุนได้ของเครื่องมือไฟฟ้าอาจทำให้ได้รับบาดเจ็บ
5. อย่าทำงานในระยะเวลาที่สูดเอื้อม จัดท่ากรยีนและการทรงตัวให้เหมาะสมตลอดเวลา เพราะจะทำให้ควบคุมเครื่องมือไฟฟ้าได้ดีขึ้นในสถานการณ์ที่ไม่คาดคิด
6. แต่งกายให้เหมาะสม อย่าสวมเครื่องแต่งกายที่หลวมเกินไป หรือสวมเครื่องประดับ ดูแลไม่ให้เส้นผม เสื้อผ้า และถุงมืออยู่ใกล้ชิ้นส่วนที่เคลื่อนที่ เสื้อผ้า รุ่มร่าม เครื่องประดับ หรือผมที่มีความยาวอาจเข้าไปติดในชิ้นส่วนที่เคลื่อนที่
7. หากมีการจัดอุปกรณ์สำหรับดูดและจัดเก็บฝุ่นไว้ในสถานที่ ให้ตรวจสอบว่าได้เชื่อมต่อและใช้งานอุปกรณ์นั้นอย่างเหมาะสม การใช้เครื่องดูดและจัดเก็บฝุ่นจะช่วยลดอันตรายที่เกิดจากฝุ่นผงได้

การใช้และดูแลเครื่องมือไฟฟ้า

1. อย่าฝืนใช้เครื่องมือไฟฟ้า ใช้เครื่องมือไฟฟ้าที่เหมาะสมกับการใช้งานของคุณ เครื่องมือไฟฟ้าที่เหมาะสมจะทำให้ได้งานที่มีประสิทธิภาพและปลอดภัยกว่าตามขีดความสามารถของเครื่องที่ได้รับการออกแบบมา
2. อย่าใช้เครื่องมือไฟฟ้า หากสวิตช์ไม่สามารถเปิดปิดได้ เครื่องมือไฟฟ้าที่ควบคุมด้วยสวิตช์ไม่ได้เป็นสิ่งอันตรายและต้องได้รับการซ่อมแซม
3. ถอดปลั๊กจากแหล่งจ่ายไฟ และ/หรือชุดแบตเตอรี่ออกจากเครื่องมือไฟฟ้าก่อนทำการปรับตั้ง เปลี่ยนอุปกรณ์เสริม หรือจัดเก็บเครื่องมือไฟฟ้า วิธีการป้องกันด้านความปลอดภัยดังกล่าวจะช่วยลดความเสี่ยงของการเปิดใช้งานเครื่องมือไฟฟ้าอย่างไม่ตั้งใจ
4. จัดเก็บเครื่องมือไฟฟ้าที่ไม่ได้ใช้งานให้ห่างจากมือเด็ก และอย่าอนุญาตให้บุคคลที่ไม่คุ้นเคยกับเครื่องมือไฟฟ้าหรือคำแนะนำเหล่านี้ใช้งานเครื่องมือไฟฟ้า เครื่องมือไฟฟ้าจะเป็นอันตรายเมื่ออยู่ในมือของผู้ที่ไม่ได้รับการฝึกอบรม

5. การดูแลรักษาเครื่องมือไฟฟ้า ตรวจสอบการประกอบที่ไม่ถูกต้องหรือการเชื่อมต่อของชิ้นส่วนที่เคลื่อนที่ การแตกหักของชิ้นส่วน หรือสภาพอื่น ๆ ที่อาจส่งผลกระทบต่อการทำงานของเครื่องมือไฟฟ้า หากมีความเสียหาย ให้นำเครื่องมือไฟฟ้าไปซ่อมแซมก่อนการใช้งาน อุบัติเหตุจำนวนมากเกิดจากการดูแลรักษาเครื่องมือไฟฟ้าอย่างไม่ถูกต้อง
6. ทำความสะอาดเครื่องมือตัดและลับให้คมอยู่เสมอ เครื่องมือการตัดที่มีการดูแลอย่างถูกต้องและมิชอบการตัดคมมักจะมีปัญหาติดขัดน้อยและควบคุมได้ง่ายกว่า
7. ใช้เครื่องมือไฟฟ้า อุปกรณ์เสริม และวัสดุสิ้นเปลือง ฯลฯ ตามคำแนะนำดังกล่าว พิจารณาสภาพการทำงานและงานที่จะลงมือทำ การใช้เครื่องมือไฟฟ้าเพื่อทำงานอื่นนอกเหนือจากที่กำหนดไว้อาจทำให้เกิดอันตราย

การใช้งานและดูแลเครื่องมือที่ใช้แบตเตอรี่

1. ชาร์จไฟใหม่ด้วยเครื่องชาร์จที่ระบุโดยผู้ผลิตเท่านั้น เครื่องชาร์จที่เหมาะสมสำหรับชุดแบตเตอรี่ประเภทหนึ่ง อาจเสี่ยงที่จะเกิดไฟไหม้หากนำไปใช้กับชุดแบตเตอรี่อีกประเภทหนึ่ง
2. ใช้เครื่องมือไฟฟ้ากับชุดแบตเตอรี่ที่กำหนดมาโดยเฉพาะเท่านั้น การใช้ชุดแบตเตอรี่ประเภทอื่นอาจทำให้เสี่ยงที่จะได้รับบาดเจ็บและเกิดไฟไหม้
3. เมื่อไม่ใช้งานชุดแบตเตอรี่ ให้เก็บห่างจากวัตถุที่เป็นโลหะอื่นๆ เช่น คลิปหนีบกระดาษ เหรียญ กุญแจ กรรไกรตัดเล็บ สกรู หรือวัตถุที่เป็นโลหะขนาดเล็กอื่นๆ ที่สามารถเชื่อมต่อชั่วคราวกับอีกขั้วหนึ่งได้ การลัดวงจรขั้วแบตเตอรี่อาจทำให้ร้อนจัดหรือเกิดไฟไหม้
4. ในกรณีที่ใช้งานไม่ถูกต้อง อาจมีของเหลวไหลออกจากแบตเตอรี่ ให้หลีกเลี่ยงการสัมผัส หากสัมผัสโดนของเหลวโดยไม่ตั้งใจ ให้ล้างออกด้วยน้ำ หากของเหลวกระเด็นเข้าตา ให้รีบไปพบแพทย์ ของเหลวที่ไหลออกจากแบตเตอรี่อาจทำให้ผิวหนังระคายเคืองหรือไหม้

การซ่อมบำรุง

1. นำเครื่องมือไฟฟ้าเข้ารับบริการจากช่างซ่อมที่ผ่านการรับรองโดยช่างผู้เชี่ยวชาญเท่านั้น เพราะจะทำให้การใช้เครื่องมือไฟฟ้ามีความปลอดภัย
2. ปฏิบัติตามคำแนะนำในการหล่อลื่นและการเปลี่ยนอุปกรณ์เสริม
3. ดูแลมือจับให้แห้ง สะอาด และไม่มันมันและจาระบีเปื้อน

คำเตือนด้านความปลอดภัยของไขควงไฟฟ้าแบบไร้สาย

1. ใช้มือจับเสริม หากมีมากับเครื่องมือ การสูญเสียการควบคุมอาจทำให้ได้รับบาดเจ็บ
2. ถือเครื่องมือไฟฟ้าบริเวณมือจับที่เป็นฉนวนเมื่อทำงานที่เครื่องมือตัดอาจสัมผัสกับสายไฟที่ซ่อนอยู่ หากอุปกรณ์ส่วนที่ขัดัดเกิดสัมผัสกับสายไฟที่ “มีกระแสไฟฟ้าไหลผ่าน” อาจทำให้ส่วนที่เป็นโลหะของเครื่องมือไฟฟ้าที่ไม่มีฉนวนหุ้มเกิดกระแสไฟฟ้าไหลผ่านได้ และส่งผลให้ผู้ปฏิบัติงานถูกไฟฟ้าช็อต
3. ถือเครื่องมือไฟฟ้าบริเวณมือจับที่เป็นฉนวนขณะทำงานที่สายรัดอาจสัมผัสกับสายไฟที่ซ่อนอยู่ สายรัดที่สัมผัสกับสายไฟที่ “มีกระแสไฟฟ้าไหลผ่าน” อาจทำให้ส่วนที่เป็นโลหะของเครื่องมือไฟฟ้าที่ไม่มีฉนวนหุ้ม “มีกระแสไฟฟ้าไหลผ่าน” และทำให้ผู้ปฏิบัติงานถูกไฟฟ้าช็อตได้
4. ตรวจสอบให้แน่ใจว่าได้ยึดอย่างมั่นคง หากใช้งานเครื่องมือในพื้นที่สูง ระวังอย่าให้มีคนอยู่ด้านล่าง
5. จับเครื่องมือให้แน่น
6. ระวังอย่าให้มือสัมผัสกับชิ้นส่วนที่หมุนได้
7. อย่าปล่อยให้เครื่องมือทำงานค้างไว้ ใช้งานเครื่องมือในขณะที่ถืออยู่เท่านั้น
8. ห้ามสัมผัสกับดอกสว่านหรือชิ้นงานทันทีที่ทำงานเสร็จ เนื่องจากดอกสว่านหรือชิ้นงานอาจมีความร้อนสูงและลวกผิวหนังของคุณได้
9. วัสดุบางอย่างอาจมีสารเคมีที่เป็นพิษ ระวังอย่าสูดดมฝุ่นหรือสัมผัสกับผิวหนัง ปฏิบัติตามข้อมูลด้านความปลอดภัยของผู้ผลิตวัสดุ
10. หากดอกสว่านไม่คลายออกแม้คุณจะเปิด핀ของหัวจับแล้ว ให้ใช้คีมดึงออก ในกรณีดังกล่าว การดึงดอกสว่านด้วยมืออาจทำให้ได้รับบาดเจ็บจากขอบที่คมของดอกสว่านได้

ปฏิบัติตามคำแนะนำเหล่านี้

คำเตือน: อย่าให้ความไม่ระมัดระวังหรือความคุ้นเคยกับผลิตภัณฑ์ (จากการใช้งานซ้ำหลายครั้ง) อยู่เหนือการปฏิบัติตามกฎเกณฑ์ด้านความปลอดภัยในการใช้งาน ผลิตภัณฑ์อย่างเคร่งครัด การใช้งานอย่างไม่เหมาะสมหรือการไม่ปฏิบัติตามกฎเกณฑ์ด้านความปลอดภัยในคู่มือการใช้งานนี้อาจทำให้ได้รับบาดเจ็บร้ายแรง

คำแนะนำเพื่อความปลอดภัยที่สำคัญสำหรับ ดัลล์แบตเตอรี่

1. ก่อนใช้งานดัลล์แบตเตอรี่ให้อ่านคำแนะนำและ
เครื่องหมายเตือนทั้งหมดบน (1) เครื่องชาร์จ
แบตเตอรี่ (2) แบตเตอรี่ และ (3) ตัวผลิตภัณฑ์ที่ใช้
แบตเตอรี่
2. ห้ามถอดแยกส่วนดัลล์แบตเตอรี่
3. หากระยะเวลาที่เครื่องทำงานสั้นเกินไป ให้หยุดใช้งาน
ทันที เนื่องจากอาจมีความเสี่ยงที่จะร้อนจัดไหม้หรือ
ระเบิดได้
4. หากสารละลายอิเล็กโทรไลต์กระเด็นเข้าตา ให้ล้าง
ออกด้วยน้ำเปล่าและรีบไปพบแพทย์ทันที เนื่องจาก
อาจทำให้ตาบอด
5. ห้ามลัดวงจรดัลล์แบตเตอรี่:
 - (1) ห้ามแตะขั้วกับวัตถุที่เป็นสื่อไฟฟ้าใดๆ
 - (2) หลีกเลี่ยงการเก็บดัลล์แบตเตอรี่ไว้ในภาชนะร่วมกับ
วัตถุที่เป็นโลหะ เช่น กรรไกรตัดเล็บ เหรียญ
 ฯลฯ
 - (3) อย่าให้ดัลล์แบตเตอรี่ถูกน้ำหรือฝน
แบตเตอรี่ลัดวงจรอาจทำให้เกิดการไหลของกระแส
ไฟฟ้า ร้อนจัดไหม้หรือเสียหายได้
6. ห้ามเก็บเครื่องมือและดัลล์แบตเตอรี่ไว้ในสถานที่ที่มี
อุณหภูมิสูงถึงหรือเกิน 50 °C
7. ห้ามเผาดัลล์แบตเตอรี่ทิ้ง แม้ว่าแบตเตอรี่จะเสียหาย
จนใช้การไม่ได้หรือเสื่อมสภาพแล้ว ดัลล์แบตเตอรี่
อาจจะระเบิดในกองไฟ
8. ระวังอย่าทำแบตเตอรี่ตกหล่นหรือกระทบกระแทก
9. ห้ามใช้แบตเตอรี่ที่เสียหาย
10. แบตเตอรี่ลิเทียมไอออนที่มีมาให้มาเป็นไปตามข้อ
กำหนดของ Dangerous Goods Legislation
สำหรับการขนส่งเพื่อการพาณิชย์ เช่น โดยบุคคลที่
สาม ตัวแทนขนส่งสินค้า จะต้องตรวจสอบข้อกำหนด
พิเศษในด้านการบรรจุหีบห่อหรือการติดป้ายสินค้า
ในการเตรียมสินค้าที่จะขนส่ง ให้ปรึกษาผู้เชี่ยวชาญ
ด้านวัตถุอันตราย โปรดตรวจสอบข้อกำหนดใน
ประเทศที่อาจมีรายละเอียดอื่นๆ เพิ่มเติม
ให้ติดเทปหรือปิดหน้าสัมผัสและห่อแบตเตอรี่ใน
ลักษณะที่แบตเตอรี่จะไม่เคลื่อนที่ไปมาในหีบห่อ
11. ปฏิบัติตามข้อบังคับในท้องถิ่นที่เกี่ยวข้องกับการกำจัด
แบตเตอรี่

12. ใช้แบตเตอรี่กับผลิตภัณฑ์ที่ระบุโดย Makita เท่านั้น
การติดตั้งแบตเตอรี่ในผลิตภัณฑ์ที่ไม่ใช่ตามที่ระบุอาจ
ทำให้เกิดไฟไหม้ ความร้อนสูง ระเบิด หรืออิเล็กโทร
ไลต์รั่วไหลได้

ปฏิบัติตามคำแนะนำเหล่านี้

⚠ ข้อควรระวัง: ใช้แบตเตอรี่ของแท้จาก Makita เท่านั้น
การใช้แบตเตอรี่ Makita ที่ไม่แท้ หรือแบตเตอรี่ที่ถูก
เปลี่ยน อาจทำให้แบตเตอรี่ระเบิด ก่อให้เกิดเพลิงลุกไหม้
การบาดเจ็บ และความเสียหายได้ และจะทำให้การรับ
ประกันของ Makita สำหรับเครื่องมือและแท่นชาร์จของ
Makita เป็นโมฆะด้วย

เคล็ดลับในการรักษาอายุการใช้งานของ แบตเตอรี่ให้ยาวนานที่สุด

1. ชาร์จดัลล์แบตเตอรี่ก่อนที่ไฟจะหมด หยุดการใช้
งานแล้วชาร์จประจุไฟฟ้าใหม่ทุกครั้งเมื่อคุณรู้สึกว่า
อุปกรณ์มีกำลังลดลง
2. อย่าชาร์จดัลล์แบตเตอรี่ที่มีไฟเต็มแล้ว การชาร์จ
ประจุไฟฟ้ามากเกินไปอาจจะทำให้อายุการใช้งานของ
ดัลล์แบตเตอรี่สั้นลง
3. ชาร์จประจุไฟฟ้าดัลล์แบตเตอรี่ในห้องที่มีอุณหภูมิ
ระหว่าง 10 °C - 40 °C ปล่อยให้ดัลล์แบตเตอรี่เย็น
ลงก่อนที่จะชาร์จไฟ
4. ชาร์จไฟดัลล์แบตเตอรี่หากคุณไม่ต้องการใช้เป็นเวลา
นาน (เกินกว่าหกเดือน)

คำอธิบายการทำงาน

⚠ ข้อควรระวัง: ตรวจสอบให้แน่ใจว่าได้ปิดสวิตช์เครื่อง
มือและถอดดัลล์แบตเตอรี่ออกก่อนปรับตั้งหรือตรวจสอบ
การทำงานของเครื่องมือ

การใส่หรือการถอดดัลล์แบตเตอรี่

⚠ ข้อควรระวัง: ปิดสวิตช์เครื่องมือก่อนทำการติดตั้ง
หรือการถอดดัลล์แบตเตอรี่ทุกครั้ง

⚠ ข้อควรระวัง: ถือเครื่องมือและดัลล์แบตเตอรี่ให้แน่น
ในระหว่างการติดตั้งหรือการถอดดัลล์แบตเตอรี่ หากไม่
ถือเครื่องมือและดัลล์แบตเตอรี่ให้แน่น อาจทำให้ดัลล์
แบตเตอรี่และเครื่องมือลื่นหลุดมือ และทำให้เครื่องมือ
และดัลล์แบตเตอรี่เสียหายหรือได้รับบาดเจ็บได้

- หมายเลข 1: 1. ไฟแสดงสถานะสีแดง 2. ปุ่ม 3. ดัลล์
แบตเตอรี่

เมื่อต้องการถอดดรัมเบลเตอร์ ให้เลื่อนปุ่มที่ด้านหน้าของดรัมเบลแล้วดึงออกจากเครื่องมือ

เมื่อต้องการติดตั้งดรัมเบลเตอร์ ให้จัดแนวสันบนดรัมเบลเตอร์ให้ตรงกับร่องบนตัวเครื่องมือ แล้วเลื่อนดรัมเบลเตอร์เข้าที่ ติดตั้งดรัมเบลเตอร์เข้าจนสุดจนกระทั่งได้ยินเสียงคลิกล็อกเข้าที่ หากยังเห็นส่วนสีแดงที่ด้านบนของปุ่ม แสดงว่าดรัมเบลเตอร์ยังไม่ล็อกเข้าที่

⚠ ข้อควรระวัง: ให้ดรัมเบลเตอร์เข้าจนสุดจนไม่เห็นส่วนสีแดงอีก ไม่เช่นนั้น ดรัมเบลเตอร์อาจหลุดออกจากเครื่องมือทำให้คุณหรือคนรอบข้างได้รับบาดเจ็บ

⚠ ข้อควรระวัง: อย่าฝืนติดตั้งดรัมเบลเตอร์โดยใช้แรงมากเกินไป หากดรัมเบลเตอร์ไม่เลื่อนเข้าไปโดยง่าย แสดงว่าใส่ไม่ถูกต้อง

ระบบป้องกันแบตเตอรี่

แบตเตอรี่ลิเทียม-ไอออนที่มีเครื่องหมายดาว

▶ **หมายเลข 2:** 1. เครื่องหมายดาว

แบตเตอรี่ลิเทียม-ไอออนที่มีเครื่องหมายดาวจะมีระบบป้องกัน ระบบนี้จะตัดไฟที่ส่งไปยังเครื่องมือโดยอัตโนมัติเพื่อยืดอายุการใช้งานแบตเตอรี่

เครื่องมือจะหยุดทำงานโดยอัตโนมัติระหว่างการใช้งาน เมื่อเครื่องมือและ/หรือแบตเตอรี่อยู่ภายใต้สถานการณ์ต่อไปนี้:

ทำงานหนักเกินไป:

ใช้งานเครื่องมือในลักษณะที่อาจใช้กระแสไฟฟ้าสูงผิดปกติ ในกรณีนี้ ให้ปิดเครื่องมือและหยุดการใช้งานในลักษณะที่อาจทำให้เครื่องมือทำงานหนักเกินไป แล้วเปิดเครื่องมือเพื่อเริ่มทำงานอีกครั้ง

หากเครื่องมือไม่เริ่มทำงาน แสดงว่าแบตเตอรี่ร้อนเกินไป ในกรณีนี้ ให้ปล่อยแบตเตอรี่ให้เย็นลงก่อนที่จะเปิดเครื่องมืออีกครั้ง

แรงดันไฟฟ้าแบตเตอรี่ต่ำ:

ความจุแบตเตอรี่ที่เหลืออยู่น้อยเกินไปและเครื่องมือจะไม่ทำงาน ในกรณีนี้ ให้ถอดแบตเตอรี่และชาร์จไฟใหม่

การระบุระดับพลังงานแบตเตอรี่ที่เหลืออยู่

สำหรับดรัมเบลเตอร์ที่มีตัวแสดงสถานะเท่านั้น

▶ **หมายเลข 3:** 1. ไฟแสดงสถานะ 2. ปุ่มตรวจสอบกดปุ่ม ตรวจสอบ บนดรัมเบลเตอร์เพื่อดูปริมาณแบตเตอรี่ที่เหลือ ไฟแสดงสถานะจะสว่างขึ้นเป็นเวลาสองสามวินาที

ไฟแสดงสถานะ			แบตเตอรี่ที่เหลือ
ไฟสว่าง	ดับ	กะพริบ	
■ ■ ■ ■	■ ■ ■ ■	■ ■ ■ ■	75% ถึง 100%
■ ■ ■ ■	■ ■ ■ ■	□ □ □ □	50% ถึง 75%
■ ■ ■ ■	□ □ □ □	□ □ □ □	25% ถึง 50%
■ ■ ■ ■	□ □ □ □	□ □ □ □	0% ถึง 25%
■ ■ ■ ■	□ □ □ □	□ □ □ □	ชาร์จไฟแบตเตอรี่
■ ■ ■ ■	□ □ □ □	□ □ □ □	แบตเตอรี่อาจจะเสีย

หมายเหตุ: ขึ้นอยู่กับสภาพการใช้งานและอุณหภูมิ โดยรอบ การแสดงสถานะอาจจะแตกต่างจากปริมาณแบตเตอรี่จริงเล็กน้อย

การทำงานของสวิตช์

▶ **หมายเลข 4:** 1. สวิตช์สั่งงาน

⚠ ข้อควรระวัง: ก่อนใส่ดรัมเบลเตอร์ลงในเครื่องมือ ให้ตรวจสอบว่าสวิตช์สั่งงานสามารถทำงานได้อย่างถูกต้องและกลับไปยังตำแหน่ง "ปิด" เมื่อปล่อย

เมื่อต้องการเปิดใช้เครื่องมือ ให้ดึงสวิตช์สั่งงาน ความเร็วเครื่องมือจะเพิ่มขึ้นเมื่อออกแรงกดที่สวิตช์สั่งงาน ปล่อยให้สวิตช์สั่งงานเพื่อหยุดทำงาน

การเปิดดวงไฟด้านหน้า

▶ **หมายเลข 5:** 1. ดวงไฟ

⚠ ข้อควรระวัง: อย่ามองเข้าไปในดวงไฟหรือจ้องดูแหล่งกำเนิดแสงโดยตรง

ดึงสวิตช์สั่งงานเพื่อเปิดไฟ ดวงไฟจะยังคงติดอยู่ในขณะที่ดึงสวิตช์สั่งงาน ดวงไฟจะดับลงภายใน 10 - 15 วินาทีหลังจากปล่อยสวิตช์สั่งงาน

หมายเหตุ: ใช้ผ้าแห้งเพื่อเช็ดสิ่งสกปรกออกจากเลนส์ของดวงไฟ ระวังอย่าขีดข่วนเลนส์ของดวงไฟ ไม่เช่นนั้น อาจทำให้ส่องสว่างได้น้อยลง

การใช้งานสวิตช์เปลี่ยนทิศทาง

► หมายเลข 6: 1. ก้านสวิตช์เปลี่ยนทิศทาง

⚠ ข้อควรระวัง: ตรวจสอบทิศทางการหมุนก่อนการใช้งานเสมอ

⚠ ข้อควรระวัง: ใช้สวิตช์เปลี่ยนทิศทางหลังจากเครื่องมือหยุดสนิทแล้วเท่านั้น การเปลี่ยนทิศทางการหมุนก่อนเครื่องมือหยุดสนิทอาจทำให้เครื่องมือเสียหายได้

⚠ ข้อควรระวัง: เมื่อไม่ได้ใช้งานเครื่องมือ ให้เลื่อนก้านสวิตช์เปลี่ยนทิศทางไปที่ตำแหน่งปกติเสมอ

เครื่องมือมีสวิตช์เปลี่ยนทิศทาง เพื่อใช้เปลี่ยนทิศทางการหมุน ดันก้านสวิตช์เปลี่ยนทิศทางจากด้าน A เพื่อให้หมุนตามเข็มนาฬิกา หรือจากด้าน B เพื่อให้หมุนทวนเข็มนาฬิกา

เมื่อก้านสวิตช์เปลี่ยนทิศทางอยู่ในตำแหน่งปกติ สวิตช์สั่งงานจะสามารถดึงได้

การเปลี่ยนความเร็ว

► หมายเลข 7: 1. ก้านเปลี่ยนความเร็ว

⚠ ข้อควรระวัง: ตรวจสอบก้านเปลี่ยนระดับความเร็วให้อยู่ในตำแหน่งที่ถูกต้องเสมอ หากคุณใช้งานเครื่องมือโดยที่ก้านเปลี่ยนระดับความเร็วอยู่กึ่งกลางระหว่าง “1” และ “2” เครื่องมืออาจเสียหายได้

⚠ ข้อควรระวัง: ห้ามใช้ก้านเปลี่ยนระดับความเร็วในขณะที่เครื่องมือกำลังทำงานอยู่ เครื่องมืออาจเสียหายได้

ตำแหน่งของก้านเปลี่ยนความเร็ว	ความเร็ว	แรงบิด	การทำงานที่เหมาะสม
1	ต่ำ	สูง	การทำงานโหลดหนัก
2	สูง	ต่ำ	การทำงานโหลดเบา

เพื่อเปลี่ยนความเร็ว ให้ปิดสวิตช์เครื่องมือก่อน เลือกด้าน “2” สำหรับความเร็วสูงหรือ “1” สำหรับความเร็วต่ำแต่แรงบิดสูง ตรวจสอบให้แน่ใจว่าก้านเปลี่ยนระดับความเร็วอยู่ในตำแหน่งที่ถูกต้องก่อนการใช้งาน

หากความเร็วเครื่องมือลดลงอย่างมากระหว่างการทำงานด้วย “2” ให้เลื่อนก้านไปที่ “1” และเริ่มการทำงานใหม่

การปรับแรงบิดขั้นแน่น

► หมายเลข 8: 1. แหวนปรับ 2. เลขบอกระดับ 3. ลูกศร

สามารถปรับแรงบิดขั้นแน่นได้ 22 ระดับโดยการหมุนแหวนปรับ ปรับเลขบอกระดับด้วยลูกศรบนตัวเครื่องมือ คุณสามารถใช้แรงบิดขั้นแน่นต่ำสุดได้ที่เครื่องหมาย 1 และแรงบิดสูงสุดที่เครื่องหมาย 22

คลัตช์จะผ่านระดับแรงบิดต่างๆ เมื่อตั้งค่าไว้ที่เลข 1 ถึง 21 คลัตช์ไม่ทำงานตามเครื่องหมาย 22

ก่อนที่จะทำงานจริง ให้ลองทดสอบขั้นสกรูลงในวัสดุหรือชิ้นวัสดุที่เหมือนกันเพื่อกำหนดว่าระดับแรงบิดเท่าใดที่ต้องการสำหรับการใช้งานนั้นๆ

นี่เป็นแนวทางคร่าวๆ เพื่อแสดงถึงความสัมพันธ์ระหว่างขนาดสกรูและเลขบอกระดับ

เลขบอกระดับ	1	2	3	4	5	6	7	8	9	10	11	12	13	14	15	16	17	18	19	20	21
สกรูยึดโลหะ	M4					M5						M6									
สกรูยึดไม้	ไม้เนื้ออ่อน (เช่น สน)	—					Ø3.5 x 22			Ø4.1 x 38			—								
	ไม้เนื้อแข็ง (เช่น ต้นรัง)	—					Ø3.5 x 22			Ø4.1 x 38			—								

การประกอบ

⚠ ข้อควรระวัง: ตรวจสอบให้แน่ใจว่าได้ปิดสวิทช์เครื่องมือและถอดด้ามแบตเตอรี่ออกก่อนดำเนินการใดๆ กับเครื่องมือ

การติดตั้งและถอดดอกไขควงหรือดอกสว่าน

▶ **หมายเลข 9:** 1. ปลอก 2. บิต 3. เปิด

หมุนปลอกทวนเข็มนาฬิกาเพื่อเปิดปากหัวจับ ใส่ดอกไขควงหรือดอกสว่านลงไปให้หัวจับจนสุด หมุนปลอกตามเข็มนาฬิกาเพื่อขันหัวจับให้แน่น เพื่อถอดดอกไขควงหรือดอกสว่านออก ให้หมุนปลอกทวนเข็มนาฬิกา

ข้อเกี่ยติดตั้ง

⚠ ข้อควรระวัง: เมื่อทำการติดตั้งขอเกี่ยว ให้ขันสกรูให้แน่นเสมอ ไม่เช่นนั้น ขอเกี่ยวอาจหลุดออกจากเครื่องมือและอาจทำให้ได้รับบาดเจ็บได้

▶ **หมายเลข 10:** 1. ร่อง 2. ขอเกี่ยว 3. สกรู

ขอเกี่ยวให้ความสะดวกสำหรับการแขวนเครื่องมือไว้ชั่วคราว ซึ่งสามารถติดตั้งไว้ที่ด้านใดด้านหนึ่งของเครื่องมือ เมื่อต้องการติดตั้งขอเกี่ยว ให้ใส่ขอเกี่ยวลงในร่องบนตัวเครื่องมือที่ด้านใดด้านหนึ่ง แล้วยึดติดไว้ด้วยสกรู เมื่อต้องการถอดออก ให้คลายสกรูแล้วดึงออกมา

การติดตั้งที่ยึดดอกไขควง

อุปกรณ์เสริม

▶ **หมายเลข 11:** 1. ที่ยึดดอกไขควง 2. ดอกไขควง

ติดตั้งที่ยึดดอกไขควงเข้ากับส่วนที่ยื่นออกมาที่ด้านล่างของเครื่องมือหรือด้านซ้ายหรือขวาแล้วขันด้วยสกรูให้แน่น เมื่อไม่ได้ใช้ดอกไขควง ให้เก็บไว้ในที่เก็บดอกไขควง คุณสามารถเก็บดอกไขควงยาว 45 mm ไว้ตรงนั้นได้

การใช้งาน

⚠ ข้อควรระวัง: ให้แน่ใจว่าใส่ด้ามแบตเตอรี่เข้าจนสุดจนกระทั่งได้ยินเสียงล็อกเข้าที่ หากยังเห็นส่วนสีแดงที่ด้านบนของปุ่ม แสดงว่าด้ามแบตเตอรี่ยังไม่ล็อกเข้าที่ ให้ดันด้ามแบตเตอรี่เข้าจนสุดจนไม่เห็นส่วนสีแดงอีก ไม่เช่นนั้น ด้ามแบตเตอรี่อาจหลุดออกจากเครื่องมือทำให้คุณหรือคนรอบข้างได้รับบาดเจ็บ

⚠ ข้อควรระวัง: เมื่อความเร็วลดลงอย่างมาก ให้ลดน้ำหนักโหลดหรือหยุดเครื่องมือเพื่อหลีกเลี่ยงไม่ให้เครื่องมือเสียหาย

ใช้มือข้างหนึ่งจับเครื่องมือที่ตามจับให้แน่น และใช้มืออีกข้างหนึ่งจับที่ด้านล่างของด้ามแบตเตอรี่เพื่อควบคุมการบิดตัว

▶ **หมายเลข 12**

การใช้งานขั้นสูง

⚠ ข้อควรระวัง: หมุนแหวนปรับไปยังระดับแรงบิดที่เหมาะสมของคุณ

⚠ ข้อควรระวัง: ตรวจสอบให้แน่ใจว่าวางดอกไขควงตรงกับหัวสกรู ไม่เช่นนั้น สกรูและ/หรือดอกไขควงอาจเสียหายได้

วางปลายดอกไขควงที่หัวสกรูและออกแรงดันเครื่องมือ เริ่มใช้งานเครื่องมือด้วยความเร็วต่ำ แล้วค่อยๆ เพิ่มความเร็ว ปล่อยสวิทช์สั่งงานทันทีที่คลัตช์ทำงาน

หมายเหตุ: เมื่อขันเข้าเนื้อไม้ ให้ขันนุ้รนำร่องขนาดเส้น 2/3 ของเส้นผ่านศูนย์กลางของสกรูก่อน การกระทำดังกล่าวจะทำให้สามารถขันได้ง่ายและไม่ทำให้ชิ้นงานแตก

การเจาะ

ขั้นแรกให้หมุนแหวนปรับจนลูกรูซี่ไปที่เครื่องมือหมายเลข 2 จากนั้นทำตามขั้นตอนต่อไป

การเจาะไม้

เพื่อให้ได้ผลดีในการเจาะไม้ ควรใช้ส่วนเจาะไม้ควบคู่กับสกรูนำ สกรูนำจะช่วยให้การเจาะง่ายขึ้น โดยการติดตั้งส่วนลงในชิ้นงาน

การเจาะโลหะ

เพื่อป้องกันดอกสว่านเลื่อนเมื่อเริ่มเจาะ ให้ทำรอยตัดด้วยเหล็กเจาะนำศูนย์กลางและค้อนในจุดที่จะเจาะ วางปลายดอกสว่านที่รอยตัด และเริ่มเจาะ

ใช้สารหล่อลื่นสำหรับการตัดเมื่อเจาะโลหะ ยกเว้นการเจาะเหล็กและทองเหลือง ซึ่งควรเจาะแบบแห้ง

⚠ ข้อควรระวัง: การออกแรงกดบนเครื่องมือไม่ช่วยให้การเจาะเร็วขึ้น ตามข้อเท็จจริงแล้ว แรงกดที่มากเกินไปจะทำให้ปลายดอกสว่านเสียหาย ลดประสิทธิภาพและอายุการใช้งานของเครื่องมือ

⚠ ข้อควรระวัง: จับเครื่องมือให้แน่น และระมัดระวังเมื่อดอกสว่านเริ่มเจาะทะลุชิ้นงาน จะมีแรงกดบนเครื่องมือ/ดอกสว่านอย่างมากขณะเจาะรู

⚠ ข้อควรระวัง: ดอกสว่านที่ติดอยู่ที่ชิ้นงานสามารถนำออกมาได้ง่ายโดยการเลื่อนสวิตช์เปลี่ยนทิศทางให้ดอกสว่านหมุนย้อนกลับ อย่างไรก็ตาม เครื่องมืออาจจะถอยออกทันทีโดยที่คุณไม่ทันตั้งตัว คุณจึงควรจับเครื่องมือไว้ให้แน่น

⚠ ข้อควรระวัง: ยึดชิ้นงานด้วยปากกาจับงาน หรืออุปกรณ์ยึดยึดที่คล้ายคลึงกันเสมอ

⚠ ข้อควรระวัง: หากใช้งานเครื่องมืออย่างต่อเนื่องจนกระทั่งดับแบตเตอรี่หมดไฟ ให้พักเครื่องมือไว้ประมาณ 15 นาทีก่อนใส่แบตเตอรี่ที่ชาร์จไฟใหม่

การบำรุงรักษา

⚠ ข้อควรระวัง: ตรวจสอบให้แน่ใจว่าได้ปิดสวิตช์เครื่องมือและถอดด้ามแบตเตอรี่ออกก่อนทำการตรวจสอบหรือบำรุงรักษา

ข้อสังเกต: อย่าใช้น้ำมันเชื้อเพลิง เบนซิน ทินเนอร์ แอลกอฮอล์ หรือวัสดุประเภทเดียวกัน เนื่องจากอาจทำให้เกิดสิ่งต่าง เสี่ยงรูป หรือแตกร้าวได้

การเปลี่ยนแปรงคาร์บอน

▶ **หมายเลข 13:** 1. ชีตจำกัด

ตรวจสอบแปรงคาร์บอนเป็นประจำ เปลี่ยนแปรงคาร์บอนเมื่อสึกหรองถึงขีดจำกัด รักษาแปรงคาร์บอนให้สะอาด และอย่าให้แปรงคาร์บอนหลุดเข้าไปในที่ยึด ควรเปลี่ยนแปรงคาร์บอนทั้งสองแปรงพร้อมกัน ใช้แปรงคาร์บอนแบบเดียวกันเท่านั้น

1. ใช้ไขควงเพื่อถอดสกรูสองตัวออกแล้วจึงถอดฝาปิดด้านหลัง

▶ **หมายเลข 14:** 1. ฝาปิดด้านหลัง 2. สกรู

2. ยกส่วนก้านของสปริงแล้ววางลงในช่องเว้าของตัวเครื่องมือด้วยไขควงปากแบนที่มีแกนเล็กเพรียวหรือที่คล้ายกัน

▶ **หมายเลข 15:** 1. ช่องเว้า 2. สปริง 3. แขน

3. ใช้คีมเพื่อเปิดฝาปิดแปรงคาร์บอนออก นำแปรงคาร์บอนที่สึกหรองออกมา ใส่แปรงคาร์บอนใหม่เข้าไป และปิดฝาปิดแปรงคาร์บอนกลับลงไป

▶ **หมายเลข 16:** 1. ฝาปิดแปรงคาร์บอน

4. ตรวจสอบให้แน่ใจว่าได้ใส่สายตะกั่วในด้านตรงข้ามของแขน

▶ **หมายเลข 17:** 1. สายตะกั่ว 2. ฝาปิดแปรงคาร์บอน

5. ตรวจสอบให้แน่ใจว่าฝาปิดแปรงคาร์บอนสวมลงรูในที่ยึดแปรงอย่างเหมาะสม

▶ **หมายเลข 18:** 1. รู 2. ฝาปิดแปรงคาร์บอน

6. ใส่ฝาปิดด้านหลังกลับเข้าที่ แล้วขันสกรูสองตัวให้แน่น

7. ใส่ด้ามแบตเตอรี่ลงในเครื่องมือและใช้งานแปรงถ่าย โดยการเดินเครื่องมือหมุนเปล่าเป็นเวลา 1 นาที

8. ตรวจสอบเครื่องมือในขณะที่ทำงานและการทำงานของเบรคไฟฟ้าเมื่อปล่อยสวิตช์ทำงาน หากเบรคไฟฟ้าทำงานได้ไม่ดี ให้นำไปซ่อมที่ศูนย์บริการหรือโรงงานที่ผ่านการรับรองจาก Makita

เพื่อความปลอดภัยและนำเชื้อเพลิงของผลิตภัณฑ์ ควรให้ศูนย์บริการหรือโรงงานที่ผ่านการรับรองจาก Makita เป็นผู้ดำเนินการซ่อมแซม บำรุงรักษาและทำการปรับตั้งอื่นๆ นอกจากนี้ให้ใช้อะไหล่ของแท้จาก Makita เสมอ

อุปกรณ์เสริม

⚠ ข้อควรระวัง: ขอแนะนำให้ใช้เฉพาะอุปกรณ์เสริมหรืออุปกรณ์ต่อพ่วงเหล่านี้กับเครื่องมือ Makita ที่ระบุในคู่มือการใช้อุปกรณ์เสริมหรืออุปกรณ์ต่อพ่วงอื่นๆ อาจมีความเสี่ยงที่จะได้รับบาดเจ็บ ใช้อุปกรณ์เสริมหรืออุปกรณ์ต่อพ่วงตามวัตถุประสงค์ที่ระบุไว้เท่านั้น

หากต้องการทราบรายละเอียดเพิ่มเติมเกี่ยวกับอุปกรณ์เสริมเหล่านี้ โปรดสอบถามศูนย์บริการ Makita ใกล้บ้านคุณ

- ดอกสว่าน
- ดอกไขควง
- ที่ยึดดอกไขควง
- ขอบเกี่ยว
- แบตเตอรี่และเครื่องชาร์จ Makita ของแท้

หมายเหตุ: อุปกรณ์บางรายการอาจรวมอยู่ในชุดเครื่องมือเป็นอุปกรณ์มาตรฐาน ซึ่งอาจแตกต่างกันไปในแต่ละประเทศ

Makita Corporation
3-11-8, Sumiyoshi-cho,
Anjo, Aichi 446-8502 Japan
www.makita.com

885434C373
EN, ZHCN, ID,
VI, TH
20190214