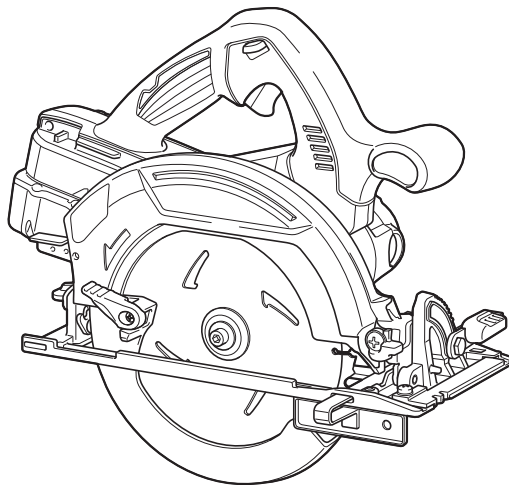




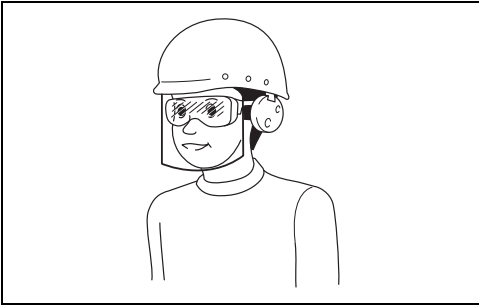
GB	Cordless Circular Saw	Instruction manual
ID	Gergaji Bundar (Lingkar) Nirkabel	Petunjuk penggunaan
VI	Máy Cưa Đĩa Cầm Tay Hoạt Động Bằng Pin	Tài liệu hướng dẫn
TH	เครื่องเลื่อยวงเดือนไร้สาย	คู่มือการใช้งาน

DHS710



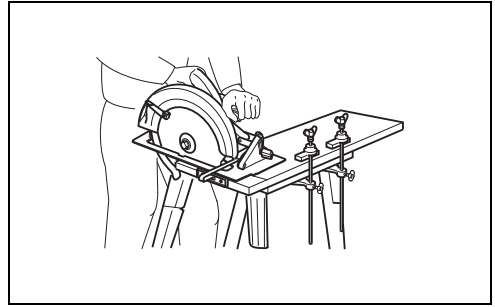
014203





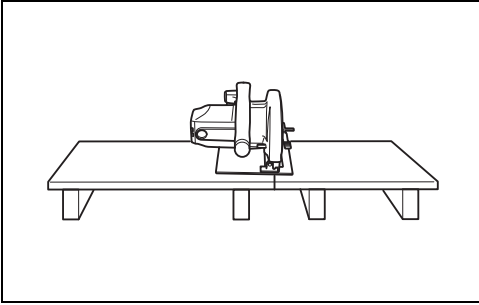
1

000114



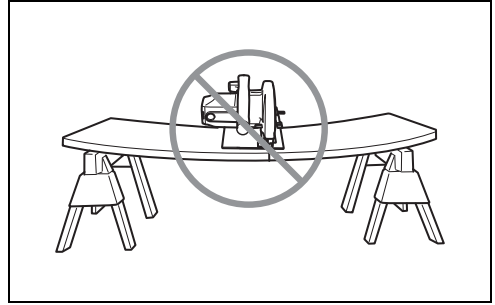
2

000157-1



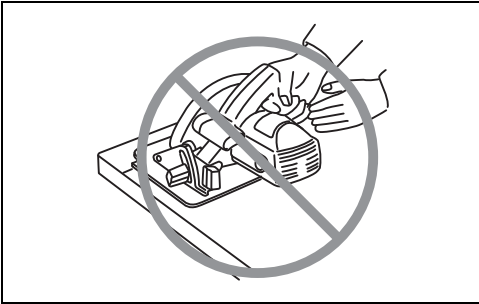
3

000154



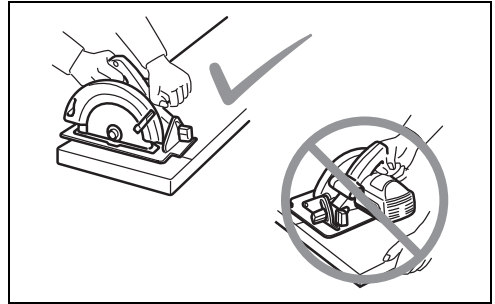
4

000156



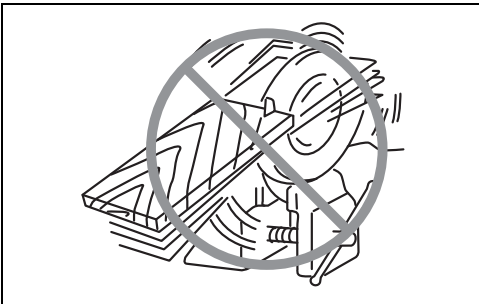
5

000194



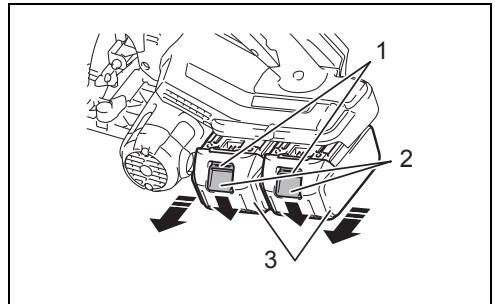
6

000147



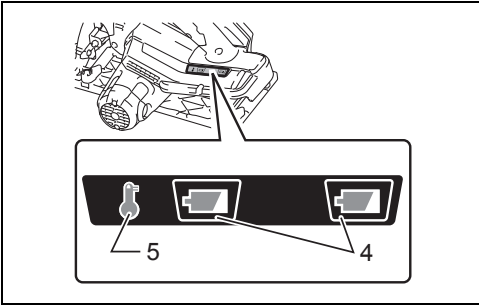
7

000029



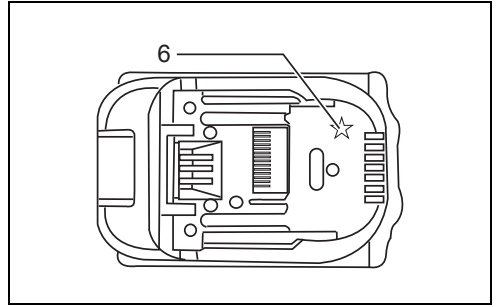
8

014204



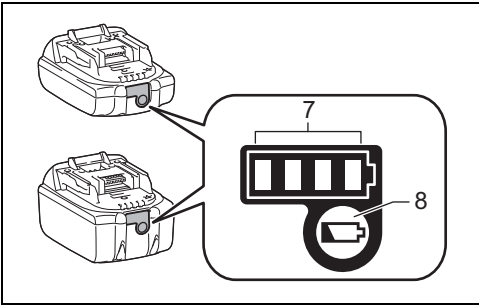
9

014205



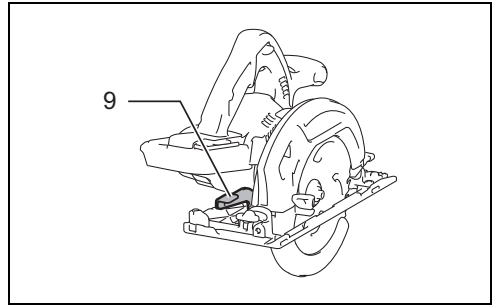
10

012128



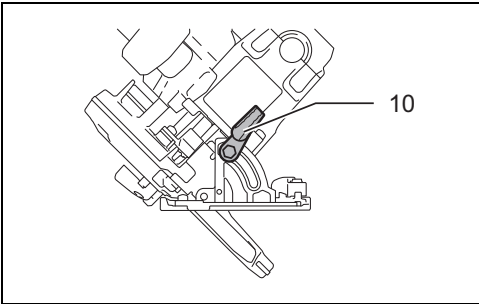
11

1007701



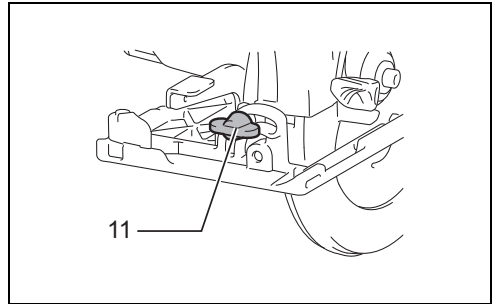
12

014206



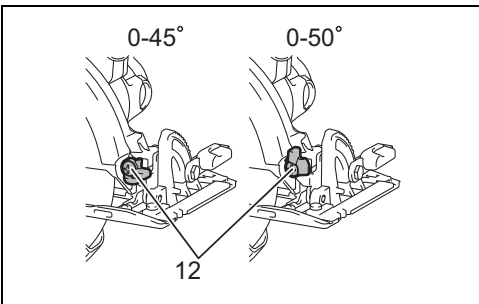
13

014207



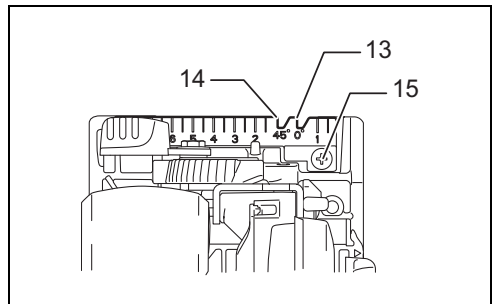
14

014208



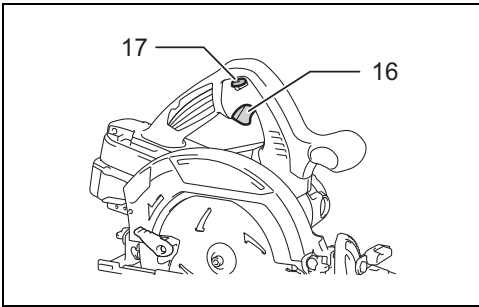
15

014209



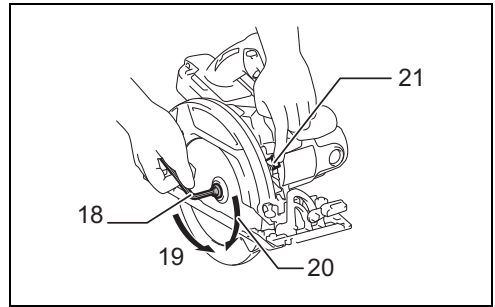
16

014210



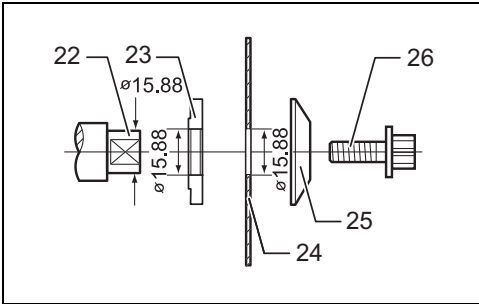
17

014211



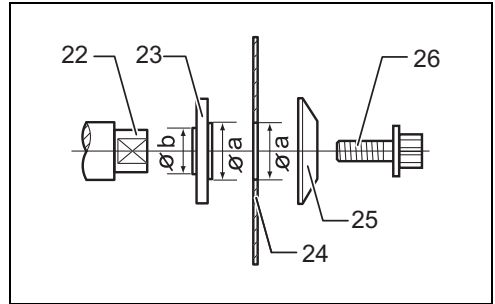
18

014212



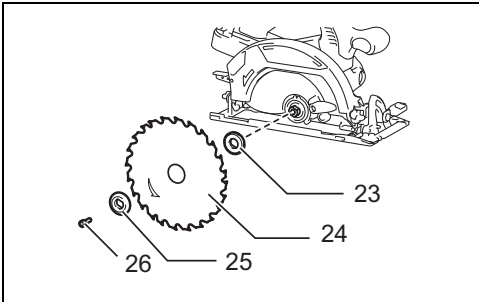
19

011231



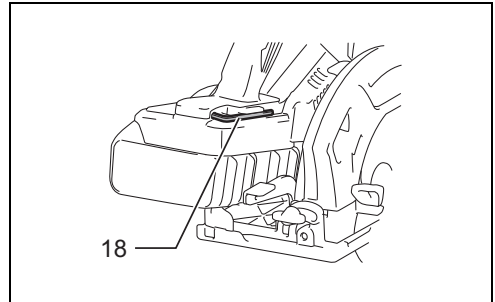
20

011230



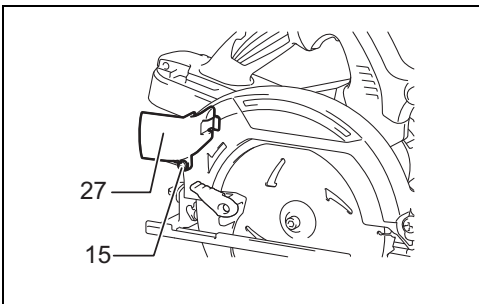
21

014213



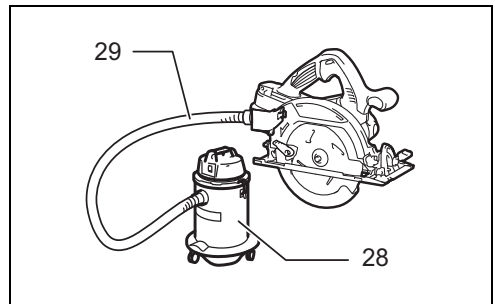
22

014214



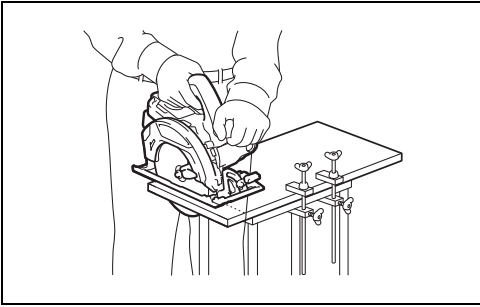
23

014215



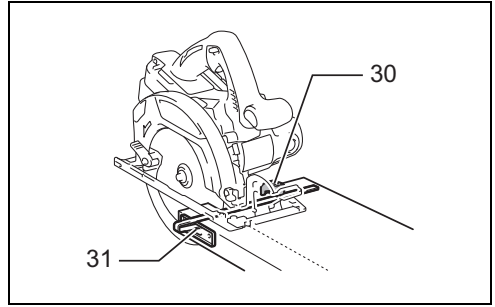
24

014216



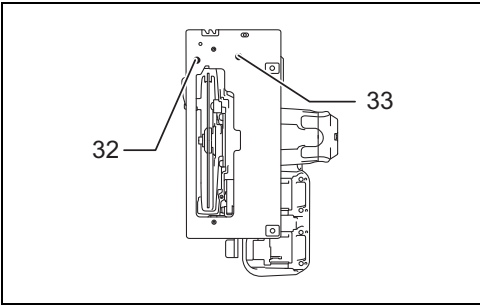
25

014217



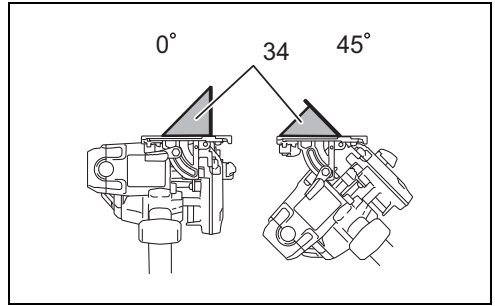
26

014218



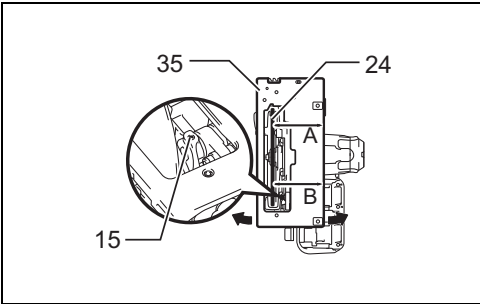
27

014219



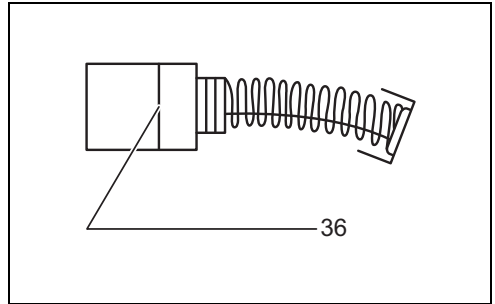
28

014220



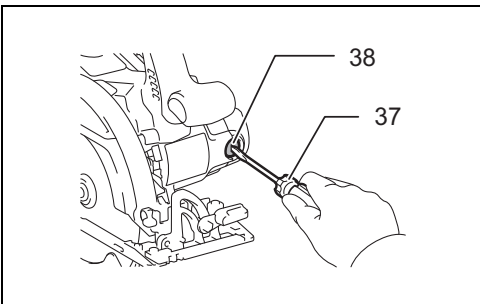
29

1006201



30

001145



31

014222

ENGLISH (Original instructions)

Explanation of general view

- | | | |
|--------------------------------|---------------------------------|-----------------------------|
| 1. Red indicator | 14. Cutting line (45° position) | 27. Dust nozzle |
| 2. Button | 15. Screw | 28. Vacuum cleaner |
| 3. Battery cartridge | 16. Switch trigger | 29. Hose |
| 4. Battery indicator | 17. Lock-off lever | 30. Clamping lever |
| 5. Overheat indicator | 18. Hex wrench | 31. Rip fence (Guide rule) |
| 6. Star marking | 19. Loosen | 32. Adjusting screw for 45° |
| 7. Indicator lamps | 20. Tighten | 33. Adjusting screw for 0° |
| 8. Check button | 21. Shaft lock | 34. Triangular rule |
| 9. Lever | 22. Mounting shaft | 35. Base |
| 10. Front lever | 23. Inner flange | 36. Limit mark |
| 11. Rear wing nut | 24. Saw blade | 37. Screwdriver |
| 12. Stopper | 25. Outer flange | 38. Brush holder cap |
| 13. Cutting line (0° position) | 26. Hex bolt | |

SPECIFICATIONS

Model	DHS710	
Blade diameter	185 - 190 mm	
Max. cutting depth	at 0°	66 - 68.5 mm
	at 45°	47.5 - 49 mm
	at 50°	42.5 - 44 mm
No load speed (min ⁻¹)	4,800	
Overall length	356 mm	
Net weight	3.9 - 4.6 kg	
Rated voltage	D.C. 36 V	

- Due to our continuing program of research and development, the specifications herein are subject to change without notice.
- Specifications may differ from country to country.
- The weight may differ depending on the attachment(s), including the battery cartridge. The lightest and heaviest combination, according to EPTA-Procedure 01/2014, are shown in the table.

Applicable battery cartridge and charger

Battery cartridge	BL1815N/BL1820/BL1820B/BL1830/BL1830B/BL1840/BL1840B/BL1850/BL1850B/BL1860B
Charger	DC18RC/DC18RD/DC18RE/DC18SD/DC18SE/DC18SF

- Some of the battery cartridges and chargers listed above may not be available depending on your region of residence.

WARNING:

- **Only use the battery cartridges and chargers listed above.** Use of any other battery cartridges and chargers may cause injury and/or fire.

Symbols

END004-6

The following show the symbols used for the equipment. Be sure that you understand their meaning before use.



... Read instruction manual.


Intended use

ENE078-2

The tool is intended for performing lengthways and crossways straight cuts and mitre cuts with angles in wood while in firm contact with the workpiece. With appropriate Makita genuine saw blades, other materials can also be sawed.

GENERAL POWER TOOL SAFETY WARNINGS

GEA013-2

 **WARNING: Read all safety warnings, instructions, illustrations and specifications provided with this power tool. Failure to follow all instructions listed below may result in electric shock, fire and/or serious injury.**

Save all warnings and instructions for future reference.

The term "power tool" in the warnings refers to your mains-operated (corded) power tool or battery-operated (cordless) power tool.

Work area safety

1. **Keep work area clean and well lit.** Cluttered or dark areas invite accidents.
2. **Do not operate power tools in explosive atmospheres, such as in the presence of flammable liquids, gases or dust.** Power tools create sparks which may ignite the dust or fumes.
3. **Keep children and bystanders away while operating a power tool.** Distractions can cause you to lose control.

Electrical Safety

1. **Power tool plugs must match the outlet. Never modify the plug in any way. Do not use any adapter plugs with earthed (grounded) power tools.** Unmodified plugs and matching outlets will reduce risk of electric shock.
2. **Avoid body contact with earthed or grounded surfaces, such as pipes, radiators, ranges and refrigerators.** There is an increased risk of electric shock if your body is earthed or grounded.
3. **Do not expose power tools to rain or wet conditions.** Water entering a power tool will increase the risk of electric shock.
4. **Do not abuse the cord. Never use the cord for carrying, pulling or unplugging the power tool. Keep cord away from heat, oil, sharp edges or moving parts.** Damaged or entangled cords increase the risk of electric shock.
5. **When operating a power tool outdoors, use an extension cord suitable for outdoor use.** Use of a cord suitable for outdoor use reduces the risk of electric shock.
6. **If operating a power tool in a damp location is unavoidable, use a residual current device (RCD) protected supply.** Use of an RCD reduces the risk of electric shock.
7. **Power tools can produce electromagnetic fields (EMF) that are not harmful to the user.** However, users of pacemakers and other similar medical devices should contact the maker of their device and/or doctor for advice before operating this power tool.

Personal Safety

1. **Stay alert, watch what you are doing and use common sense when operating a power tool. Do not use a power tool while you are tired or under the influence of drugs, alcohol or medication.** A moment of inattention while operating power tools may result in serious personal injury.
2. **Use personal protective equipment. Always wear eye protection.** Protective equipment such as a dust mask, non-skid safety shoes, hard hat or hearing protection used for appropriate conditions will reduce personal injuries.
3. **Prevent unintentional starting. Ensure the switch is in the off-position before connecting to power source and/or battery pack, picking up or carrying the tool.** Carrying power tools with your finger on the switch or energising power tools that have the switch on invites accidents.
4. **Remove any adjusting key or wrench before turning the power tool on.** A wrench or a key left attached to a rotating part of the power tool may result in personal injury.

5. **Do not overreach. Keep proper footing and balance at all times.** This enables better control of the power tool in unexpected situations.
6. **Dress properly. Do not wear loose clothing or jewellery. Keep your hair and clothing away from moving parts.** Loose clothes, jewellery or long hair can be caught in moving parts.
7. **If devices are provided for the connection of dust extraction and collection facilities, ensure these are connected and properly used.** Use of dust collection can reduce dust-related hazards.
8. **Do not let familiarity gained from frequent use of tools allow you to become complacent and ignore tool safety principles.** A careless action can cause severe injury within a fraction of a second.
9. **Always wear protective goggles to protect your eyes from injury when using power tools.** The goggles must comply with ANSI Z87.1 in the USA, EN 166 in Europe, or AS/NZS 1336 in Australia/ New Zealand. In Australia/New Zealand, it is legally required to wear a face shield to protect your face, too. (Fig. 1)
It is an employer's responsibility to enforce the use of appropriate safety protective equipments by the tool operators and by other persons in the immediate working area.

Power tool use and care

1. **Do not force the power tool. Use the correct power tool for your application.** The correct power tool will do the job better and safer at the rate for which it was designed.
2. **Do not use the power tool if the switch does not turn it on and off.** Any power tool that cannot be controlled with the switch is dangerous and must be repaired.
3. **Disconnect the plug from the power source and/or remove the battery pack, if detachable, from the power tool before making any adjustments, changing accessories, or storing power tools.** Such preventive safety measures reduce the risk of starting the power tool accidentally.
4. **Store idle power tools out of the reach of children and do not allow persons unfamiliar with the power tool or these instructions to operate the power tool.** Power tools are dangerous in the hands of untrained users.
5. **Maintain power tools and accessories. Check for misalignment or binding of moving parts, breakage of parts and any other condition that may affect the power tool's operation. If damaged, have the power tool repaired before use.** Many accidents are caused by poorly maintained power tools.
6. **Keep cutting tools sharp and clean.** Properly maintained cutting tools with sharp cutting edges are less likely to bind and are easier to control.
7. **Use the power tool, accessories and tool bits etc. in accordance with these instructions, taking into account the working conditions and the work to be performed.** Use of the power tool for operations different from those intended could result in a hazardous situation.
8. **Keep handles and grasping surfaces dry, clean and free from oil and grease.** Slippery handles and

grasping surfaces do not allow for safe handling and control of the tool in unexpected situations.

9. **When using the tool, do not wear cloth work gloves which may be entangled.** The entanglement of cloth work gloves in the moving parts may result in personal injury.

Battery tool use and care

1. **Recharge only with the charger specified by the manufacturer.** A charger that is suitable for one type of battery pack may create a risk of fire when used with another battery pack.
2. **Use power tools only with specifically designated battery packs.** Use of any other battery packs may create a risk of injury and fire.
3. **When battery pack is not in use, keep it away from other metal objects, like paper clips, coins, keys, nails, screws or other small metal objects, that can make a connection from one terminal to another.** Shorting the battery terminals together may cause burns or a fire.
4. **Under abusive conditions, liquid may be ejected from the battery; avoid contact. If contact accidentally occurs, flush with water. If liquid contacts eyes, additionally seek medical help.** Liquid ejected from the battery may cause irritation or burns.
5. **Do not use a battery pack or tool that is damaged or modified.** Damaged or modified batteries may exhibit unpredictable behaviour resulting in fire, explosion or risk of injury.
6. **Do not expose a battery pack or tool to fire or excessive temperature.** Exposure to fire or temperature above 130 °C may cause explosion.
7. **Follow all charging instructions and do not charge the battery pack or tool outside the temperature range specified in the instructions.** Charging improperly or at temperatures outside the specified range may damage the battery and increase the risk of fire.


Service

1. **Have your power tool serviced by a qualified repair person using only identical replacement parts.** This will ensure that the safety of the power tool is maintained.
2. **Never service damaged battery packs.** Service of battery packs should only be performed by the manufacturer or authorized service providers.
3. **Follow instruction for lubricating and changing accessories.**

CORDLESS CIRCULAR SAW SAFETY WARNINGS

GEB151-1

Cutting procedures

1. ** DANGER: Keep hands away from cutting area and the blade. Keep your second hand on auxiliary handle, or motor housing.** If both hands are holding the saw, they cannot be cut by the blade.
2. **Do not reach underneath the workpiece.** The guard cannot protect you from the blade below the workpiece.

3. **Adjust the cutting depth to the thickness of the workpiece.** Less than a full tooth of the blade teeth should be visible below the workpiece.
4. **Never hold the workpiece in your hands or across your leg while cutting. Secure the workpiece to a stable platform.** It is important to support the work properly to minimise body exposure, blade binding, or loss of control. (Fig. 2)
5. **Hold the power tool by insulated gripping surfaces, when performing an operation where the cutting tool may contact hidden wiring or its own cord.** Contact with a "live" wire will also make exposed metal parts of the power tool "live" and could give the operator an electric shock.
6. **When ripping, always use a rip fence or straight edge guide.** This improves the accuracy of cut and reduces the chance of blade binding.
7. **Always use blades with correct size and shape (diamond versus round) of arbour holes.** Blades that do not match the mounting hardware of the saw will run off-centre, causing loss of control.
8. **Never use damaged or incorrect blade washers or bolt.** The blade washers and bolt were specially designed for your saw, for optimum performance and safety of operation.

Kickback causes and related warnings

- kickback is a sudden reaction to a pinched, jammed or misaligned saw blade, causing an uncontrolled saw to lift up and out of the workpiece toward the operator;
- when the blade is pinched or jammed tightly by the kerf closing down, the blade stalls and the motor reaction drives the unit rapidly back toward the operator;
- if the blade becomes twisted or misaligned in the cut, the teeth at the back edge of the blade can dig into the top surface of the wood causing the blade to climb out of the kerf and jump back toward the operator.

Kickback is the result of saw misuse and/or incorrect operating procedures or conditions and can be avoided by taking proper precautions as given below.

1. **Maintain a firm grip with both hands on the saw and position your arms to resist kickback forces. Position your body to either side of the blade, but not in line with the blade.** Kickback could cause the saw to jump backwards, but kickback forces can be controlled by the operator, if proper precautions are taken.
2. **When blade is binding, or when interrupting a cut for any reason, release the trigger and hold the saw motionless in the material until the blade comes to a complete stop. Never attempt to remove the saw from the work or pull the saw backward while the blade is in motion or kickback may occur.** Investigate and take corrective actions to eliminate the cause of blade binding.
3. **When restarting a saw in the workpiece, centre the saw blade in the kerf so that the saw teeth are not engaged into the material.** If a saw blade binds, it may walk up or kickback from the workpiece as the saw is restarted.
4. **Support large panels to minimise the risk of blade pinching and kickback.** Large panels tend to sag under their own weight. Supports must be placed under the panel on both sides, near the line of cut and near the edge of the panel. (Fig. 3 & 4)

5. **Do not use dull or damaged blades.** Unsharpened or improperly set blades produce narrow kerf causing excessive friction, blade binding and kickback.
6. **Blade depth and bevel adjusting locking levers must be tight and secure before making the cut.** If blade adjustment shifts while cutting, it may cause binding and kickback.
7. **Use extra caution when sawing into existing walls or other blind areas.** The protruding blade may cut objects that can cause kickback.
8. **ALWAYS hold the tool firmly with both hands. NEVER place your hand, leg or any part of your body under the tool base or behind the saw, especially when making cross-cuts.** If kickback occurs, the saw could easily jump backwards over your hand, leading to serious personal injury. (Fig. 5)
9. **Never force the saw. Push the saw forward at a speed so that the blade cuts without slowing.** Forcing the saw can cause uneven cuts, loss of accuracy, and possible kickback.
3. **Avoid cutting nails. Inspect for and remove all nails from lumber before cutting.**
4. **Place the wider portion of the saw base on that part of the workpiece which is solidly supported, not on the section that will fall off when the cut is made. If the workpiece is short or small, clamp it down. DO NOT TRY TO HOLD SHORT PIECES BY HAND! (Fig. 6)**
5. **Before setting the tool down after completing a cut, be sure that the guard has closed and the blade has come to a complete stop.**
6. **Never attempt to saw with the circular saw held upside down in a vise. This is extremely dangerous and can lead to serious accidents. (Fig. 7)**
7. **Some material contains chemicals which may be toxic. Take caution to prevent dust inhalation and skin contact. Follow material supplier safety data.**
8. **Do not stop the blades by lateral pressure on the saw blade.**
9. **Do not use any abrasive wheels.**
10. **Only use the saw blade with the diameter that is marked on the tool or specified in the manual.** Use of an incorrectly sized blade may affect the proper guarding of the blade or guard operation which could result in serious personal injury.
11. **Keep blade sharp and clean.** Gum and wood pitch hardened on blades slows saw and increases potential for kickback. Keep blade clean by first removing it from tool, then cleaning it with gum and pitch remover, hot water or kerosene. Never use gasoline.
12. **Wear a dust mask and hearing protection when use the tool.**
13. **Always use the saw blade intended for cutting the material that you are going to cut.**
14. **Only use the saw blades that are marked with a speed equal or higher than the speed marked on the tool.**
15. **(For European countries only)
Always use the blade which conforms to EN847-1.**

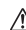
Lower guard function

1. **Check the lower guard for proper closing before each use. Do not operate the saw if the lower guard does not move freely and close instantly. Never clamp or tie the lower guard into the open position.** If the saw is accidentally dropped, the lower guard may be bent. Raise the lower guard with the retracting handle and make sure it moves freely and does not touch the blade or any other part, in all angles and depths of cut.
2. **Check the operation of the lower guard spring. If the guard and the spring are not operating properly, they must be serviced before use.** Lower guard may operate sluggishly due to damaged parts, gummy deposits, or a build-up of debris.
3. **The lower guard may be retracted manually only for special cuts such as “plunge cuts” and “compound cuts”. Raise the lower guard by the retracting handle and as soon as the blade enters the material, the lower guard must be released.** For all other sawing, the lower guard should operate automatically.
4. **Always observe that the lower guard is covering the blade before placing the saw down on bench or floor.** An unprotected, coasting blade will cause the saw to walk backwards, cutting whatever is in its path. Be aware of the time it takes for the blade to stop after switch is released.
5. **To check lower guard, open lower guard by hand, then release and watch guard closure. Also check to see that retracting handle does not touch tool housing.** Leaving blade exposed is VERY DANGEROUS and can lead to serious personal injury.

Additional safety warnings

1. **Use extra caution when cutting damp wood, pressure treated lumber, or wood containing knots.** Maintain smooth advancement of tool without decrease in blade speed to avoid overheating the blade tips.
2. **Do not attempt to remove cut material when blade is moving. Wait until blade stops before grasping cut material.** Blades coast after turn off.

SAVE THESE INSTRUCTIONS.

 **WARNING: DO NOT** let comfort or familiarity with product (gained from repeated use) replace strict adherence to safety rules for the subject product. **MISUSE** or failure to follow the safety rules stated in this instruction manual may cause serious personal injury.

IMPORTANT SAFETY INSTRUCTIONS FOR BATTERY CARTRIDGE

ENC007-12

1. **Before using battery cartridge, read all instructions and cautionary markings on (1) battery charger, (2) battery, and (3) product using battery.**
2. **Do not disassemble battery cartridge.**
3. **If operating time has become excessively shorter, stop operating immediately. It may result in a risk**

- of overheating, possible burns and even an explosion.
4. **If electrolyte gets into your eyes, rinse them out with clear water and seek medical attention right away. It may result in loss of your eyesight.**
 5. **Do not short the battery cartridge:**
 - (1) **Do not touch the terminals with any conductive material.**
 - (2) **Avoid storing battery cartridge in a container with other metal objects such as nails, coins, etc.**
 - (3) **Do not expose battery cartridge to water or rain.**

A battery short can cause a large current flow, overheating, possible burns and even a breakdown.

6. **Do not store the tool and battery cartridge in locations where the temperature may reach or exceed 50°C (122°F).**
7. **Do not incinerate the battery cartridge even if it is severely damaged or is completely worn out. The battery cartridge can explode in a fire.**
8. **Be careful not to drop or strike battery.**
9. **Do not use a damaged battery.**
10. **The contained lithium-ion batteries are subject to the Dangerous Goods Legislation requirements.**
For commercial transports e.g. by third parties, forwarding agents, special requirement on packaging and labeling must be observed.
For preparation of the item being shipped, consulting an expert for hazardous material is required. Please also observe possibly more detailed national regulations.
Tape or mask off open contacts and pack up the battery in such a manner that it cannot move around in the packaging.
11. **Follow your local regulations relating to disposal of battery.**
12. **Use the batteries only with the products specified by Makita.** Installing the batteries to non-compliant products may result in a fire, excessive heat, explosion, or leak of electrolyte.

SAVE THESE INSTRUCTIONS.

⚠ CAUTION: Only use genuine Makita batteries.
Use of non-genuine Makita batteries, or batteries that have been altered, may result in the battery bursting causing fires, personal injury and damage. It will also void the Makita warranty for the Makita tool and charger.

Tips for maintaining maximum battery life

1. **Charge the battery cartridge before completely discharged.**
Always stop tool operation and charge the battery cartridge when you notice less tool power.
2. **Never recharge a fully charged battery cartridge. Overcharging shortens the battery service life.**
3. **Charge the battery cartridge with room temperature at 10°C - 40°C (50°F - 104°F). Let a hot battery cartridge cool down before charging it.**
4. **Charge the battery cartridge if you do not use it for a long period (more than six months).**

FUNCTIONAL DESCRIPTION

⚠ CAUTION:

- Always be sure that the tool is switched off and the battery cartridge is removed before adjusting or checking function on the tool.

Installing or removing battery cartridge (Fig. 8)

⚠ CAUTION:

- Always switch off the tool before installing or removing of the battery cartridge.
- **Hold the tool and the battery cartridge firmly when installing or removing battery cartridge.** Failure to hold the tool and the battery cartridge firmly may cause them to slip off your hands and result in damage to the tool and battery cartridge and a personal injury.

To remove the battery cartridge, slide it from the tool while sliding the button on the front of the cartridge.

To install the battery cartridge, align the tongue on the battery cartridge with the groove in the housing and slip it into place. Insert it all the way until it locks in place with a little click. If you can see the red indicator on the upper side of the button, it is not locked completely.

⚠ CAUTION:

- Always install the battery cartridge fully until the red indicator cannot be seen. If not, it may accidentally fall out of the tool, causing injury to you or someone around you.
- Do not install the battery cartridge forcibly. If the cartridge does not slide in easily, it is not being inserted correctly.

NOTE:

- The tool does not work with only one battery cartridge.
- When the battery cartridge is not removed easily, push it from the opposite side of the button and slide it.

Tool/battery protection system

The tool is equipped with a tool/battery protection system. This system automatically cuts off power to the motor to extend tool and battery life.

The tool will automatically stop during operation if the tool or battery are placed under one of the following conditions. In some conditions, the indicators light up. (Fig. 9)

Overload protection

When the tool is operated in a manner that causes it to draw an abnormally high current, the tool automatically stops without any indications. In this situation, turn the tool off and stop the application that caused the tool to become overloaded. Then turn the tool on to restart.

Overheat protection for tool

When the tool is overheated, the tool stops automatically and the overheat indicator lights up about 60 seconds. In this situation, let the tool cool before turning the tool on again.

Overheat protection for battery

When the battery is overheated, the tool stops automatically without any indications. The tool does not start even if pulling the switch trigger. In this situation, let the battery cool before turning the tool on again.

NOTE:

The battery overheat protection works only with a battery cartridge with a star marking. (Fig. 10)

Overdischarge protection

When the remaining battery capacity gets low, the battery indicator blinks on the applicable battery side. By further use, the tool stops and the battery indicator lights up about 10 seconds. In this situation, charge the battery cartridge.

Indicating the remaining battery capacity

Only for battery cartridges with the indicator (Fig. 11)

Press the check button on the battery cartridge to indicate the remaining battery capacity. The indicator lamps light up for a few seconds.

Indicator lamps			Remaining capacity
Lighted	Off	Blinking	
■	□	▧	
■	■	■	75% to 100%
■	■	□	50% to 75%
■	□	□	25% to 50%
■	□	□	0% to 25%
▧	□	□	Charge the battery.
■	■	□	The battery may have malfunctioned.
□	□	■	

NOTE:

- Depending on the conditions of use and the ambient temperature, the indication may differ slightly from the actual capacity.

Adjusting depth of cut (Fig. 12)**CAUTION:**

- After adjusting the depth of cut, always tighten the lever securely.

Loosen the lever on the depth guide and move the base up or down. At the desired depth of cut, secure the base by tightening the lever.

For cleaner, safer cuts, set cut depth so that no more than one blade tooth projects below workpiece. Using proper cut depth helps to reduce potential for dangerous KICKBACKS which can cause personal injury.

Bevel cutting (Fig. 13 & 14)

Loosen the front lever and rear wing nut. Set for the desired angle (0° - 50°) by tilting accordingly, then tighten the lever and wing nut securely. (Fig. 15)

Use the 45° stopper when you do precise 45° angle cutting. Turn the stopper clockwise fully for bevel cut (0° - 45°) and turn it counterclockwise for 0° - 50° bevel cuts.

Sighting (Fig. 16)

For straight cuts, align the 0° position on the front of the base with your cutting line. For 45° bevel cuts, align the 45° position with it. The position of the top guide is adjustable.

Switch action (Fig. 17)**CAUTION:**

- Before installing the battery cartridge into the tool, always check to see that the switch trigger actuates properly and returns to the "OFF" position when released.
- Do not pull the switch trigger hard without pressing the lock-off lever. This can cause switch breakage.

To prevent the switch trigger from being accidentally pulled, a lock-off lever is provided. To start the tool, press the lock-off lever and pull the switch trigger. Release the switch trigger to stop.

WARNING:

- For your safety, this tool is equipped with lock-off lever which prevents the tool from unintended starting. NEVER use the tool if it runs when you simply pull the switch trigger without pressing the lock-off lever. Return tool to a MAKITA service center for proper repairs BEFORE further usage.
- NEVER tape down or defeat purpose and function of lock-off lever.

ASSEMBLY**CAUTION:**

- Always be sure that the tool is switched off and the battery cartridge is removed before carrying out any work on the tool.

Removing or installing saw blade**CAUTION:**

- Be sure the blade is installed with teeth pointing up at the front of the tool.
- Use only the Makita wrench to install or remove the blade. (Fig. 18)

To remove the blade, press the shaft lock so that the blade cannot revolve and use the wrench to loosen the hex bolt counterclockwise. Then remove the hex bolt, outer flange and blade.

For tool with the inner flange for a 15.88 mm hole-diameter saw blade (Fig. 19)

Mount the inner flange with its recessed side facing outward onto the mounting shaft and then place saw blade, outer flange and hex bolt. BE SURE TO TIGHTEN THE HEX BOLT CLOCKWISE SECURELY.

For tool with the inner flange for other than 15.88 mm hole-diameter saw blade (Fig. 20)

The inner flange has a certain diameter protrusion on one side of it and a different diameter protrusion on the other side. Choose a correct side on which protrusion fits into the saw blade hole perfectly.

Next, mount the inner flange onto the mounting shaft so that the correct side of protrusion on the inner flange faces outward and then place saw blade and outer flange.

BE SURE TO TIGHTEN THE HEX BOLT CLOCKWISE SECURELY.

⚠ CAUTION:

- **Make sure that the protrusion “a” on the inner flange that is positioned outside fits into the saw blade hole “a” perfectly.** Mounting the blade on the wrong side can result in the dangerous vibration. (Fig. 21)

When changing blade, make sure to also clean upper and lower blade guards of accumulated sawdust. Such efforts do not, however, replace the need to check lower guard operation before each use.

Hex wrench storage (Fig. 22)

When not in use, store the hex wrench as shown in the figure to keep it from being lost.

Connecting a vacuum cleaner

Optional accessory (Fig. 23 & 24)

When you wish to perform clean cutting operation, connect a Makita vacuum cleaner to your tool. Install the dust nozzle on the tool using the screw. Then connect a hose of the vacuum cleaner to the dust nozzle as shown in the figure.

OPERATION

⚠ CAUTION:

- Be sure to move the tool forward in a straight line gently. Forcing or twisting the tool will result in overheating the motor and dangerous kickback, possibly causing severe injury.
- Always use a front grip and rear handle and firmly hold the tool by both front grip and rear handle during operations. (Fig. 25)

Hold the tool firmly. The tool is provided with both a front grip and rear handle. Use both to best grasp the tool. If both hands are holding saw, they cannot be cut by the blade. Set the base on the workpiece to be cut without the blade making any contact. Then turn the tool on and wait until the blade attains full speed. Now simply move the tool forward over the workpiece surface, keeping it flat and advancing smoothly until the sawing is completed. To get clean cuts, keep your sawing line straight and your speed of advance uniform. If the cut fails to properly follow your intended cut line, do not attempt to turn or force the tool back to the cut line. Doing so may bind the blade and lead to dangerous kickback and possible serious injury. Release switch, wait for blade to stop and then withdraw tool. Realign tool on new cut line, and start cut again. Attempt to avoid positioning which exposes operator to chips and wood dust being ejected from saw. Use eye protection to help avoid injury.

Rip fence (Guide rule) (Fig. 26)

The handy rip fence allows you to do extra-accurate straight cuts. Simply slide the rip fence up snugly against the side of the workpiece and secure it in position with the clamping lever on the front of the base. It also makes repeated cuts of uniform width possible.

MAINTENANCE

⚠ CAUTION:

- Always be sure that the tool is switched off and unplugged before attempting to perform inspection or maintenance.
- Never use gasoline, benzine, thinner, alcohol or the like. Discoloration, deformation or cracks may result.

Adjusting for accuracy of 0° and 45° cut (vertical and 45° cut) (Fig. 27 & 28)

This adjustment has been made at the factory. But if it is off, adjust the adjusting screws with a hex wrench while inspecting 0° or 45° the blade with the base using a triangular rule or square rule, etc.

Adjusting for parallelism (Fig. 29)

The parallelism between the blade and the base has been factory adjusted. But if it is off, you can adjust it as the following procedure.

Make sure all levers and screws are tightened. Slightly loosen the screw as illustrated. While opening the lower guard, move the rear of base so that the distance A and B are equal. After adjusting, tighten the screw. Make a test cut to get a correct parallelism.

Replacing carbon brushes (Fig. 30)

Remove and check the carbon brushes regularly. Replace when they wear down to the limit mark. Keep the carbon brushes clean and free to slip in the holders. Both carbon brushes should be replaced at the same time. Use only identical carbon brushes.

Use a screwdriver to remove the brush holder caps. Take out the worn carbon brushes, insert the new ones and secure the brush holder caps. (Fig. 31)

After replacing brushes, insert the battery cartridge into the tool and break in brushes by running tool with no load for about 1 minute. Then check the tool while running and electric brake operation when releasing the switch trigger. If electric brake is not working well, ask your local Makita service center for repair.

To maintain product SAFETY and RELIABILITY, repairs, any other maintenance or adjustment should be performed by Makita Authorized Service Centers, always using Makita replacement parts.

OPTIONAL ACCESSORIES

⚠ CAUTION:

- These accessories or attachments are recommended for use with your Makita tool specified in this manual. The use of any other accessories or attachments might present a risk of injury to persons. Only use accessory or attachment for its stated purpose.

If you need any assistance for more details regarding these accessories, ask your local Makita Service Center.

- Saw blades
- Rip fence (Guide rule)
- Guide rail
- Guide rail adapter
- Dust nozzle
- Hex wrench
- Makita genuine battery and charger

NOTE:

- Some items in the list may be included in the tool package as standard accessories. They may differ from country to country.

BAHASA INDONESIA (Petunjuk Asli)

Penjelasan tampilan keseluruhan

- | | | |
|----------------------------------|-----------------------------------|-----------------------------------|
| 1. Indikator merah | 14. Garis pemotongan (posisi 45°) | 27. Nozel debu |
| 2. Tombol | 15. Sekrup | 28. Mesin pembersih vakum |
| 3. Kartrid baterai | 16. Picu sakelar | 29. Slang |
| 4. Indikator baterai | 17. Tuas kunci-mati | 30. Tuas klem |
| 5. Indikator panas berlebihan | 18. Kunci hex | 31. Rip fence (Penggaris pemandu) |
| 6. Tanda gambar bintang | 19. Kendurkan | 32. Sekrup penyatel untuk 45° |
| 7. Lampu indikator | 20. Kencangkan | 33. Sekrup penyatel untuk 0° |
| 8. Tombol cek | 21. Kunci as | 34. Penggaris segitiga |
| 9. Tuas | 22. Poros pemasangan | 35. Alas |
| 10. Tuas depan | 23. Flensa dalam | 36. Garis batas |
| 11. Mur kupu-kupu belakang | 24. Roda gergaji | 37. Obeng |
| 12. Penghenti | 25. Flensa luar | 38. Tutup borstel arang |
| 13. Garis pemotongan (posisi 0°) | 26. Baut hex | |

SPESIFIKASI

Model	DHS710	
Diameter roda pemotong	185 - 190 mm	
Kedalaman pemotongan maks.	pada sudut 0°	66 - 68,5 mm
	pada sudut 45°	47,5 - 49 mm
	pada sudut 50°	42,5 - 44 mm
Kecepatan tanpa beban (men ⁻¹)	4.800	
Panjang keseluruhan	356 mm	
Berat bersih	3,9 - 4,6 kg	
Tegangan yang sesuai	D.C. 36 V	

- Karena kesinambungan program penelitian dan pengembangan kami, spesifikasi yang disebutkan di sini dapat berubah tanpa pemberitahuan.
- Spesifikasi dapat berbeda dari satu negara ke negara lainnya.
- Berat dapat berbeda-beda tergantung pada alat tambahan, termasuk kartrid baterai. Gabungan yang paling ringan dan paling berat, menurut Prosedur EPTA 01/2014, ditampilkan dalam tabel.

Kartrid baterai dan pengisi baterai yang sesuai

Kartrid baterai	BL1815N/BL1820/BL1820B/BL1830/BL1830B/BL1840/BL1840B/BL1850/BL1850B/BL1860B
Pengisi baterai	DC18RC/DC18RD/DC18RE/DC18SD/DC18SE/DC18SF

- Beberapa kartrid baterai dan pengisi baterai yang disebutkan di atas mungkin tidak tersedia tergantung pada kawasan tempat tinggal Anda.

PERINGATAN:

- **Hanya gunakan kartrid baterai dan pengisi baterai yang disebutkan di atas.** Penggunaan kartrid baterai dan pengisi baterai yang lain dapat menyebabkan cedera/atau kebakaran.

Simbol-simbol

END004-6

Berikut ini adalah simbol-simbol yang digunakan pada alat ini. Pastikan Anda mengerti makna masing-masing simbol sebelum menggunakan alat ini.



... Baca petunjuk penggunaan.


Maksud penggunaan

ENE078-2

Mesin ini dimaksudkan untuk melakukan pemotongan lurus dan adu manis secara memanjang dan melintang dengan sudut tertentu pada kayu sambil menempelkannya dengan kuat pada benda kerja. Dengan roda gergaji asli Makita yang sesuai, bahan lain juga bisa digergaji.

PERINGATAN KESELAMATAN UMUM MESIN LISTRIK

GEA013-2

 **PERINGATAN:** Bacalah semua peringatan keselamatan, petunjuk, ilustrasi dan spesifikasi yang disertakan bersama mesin listrik ini. Kelalaian untuk mematuhi semua petunjuk yang tercantum di bawah

ini dapat menyebabkan sengatan listrik, kebakaran dan/atau cedera serius.

Simpanlah semua peringatan dan petunjuk untuk acuan di masa depan.

Istilah “mesin listrik” dalam semua peringatan mengacu pada mesin listrik yang dijalankan dengan sumber listrik jala-jala (berkabel) atau baterai (tanpa kabel).

Keselamatan tempat kerja

1. **Jaga tempat kerja selalu bersih dan berpenerangan cukup.** Tempat kerja yang berantakan dan gelap mengundang kecelakaan.
2. **Jangan gunakan mesin listrik dalam lingkungan yang mudah meledak, misalnya jika ada cairan, gas, atau debu yang mudah menyala.** Mesin listrik menimbulkan bunga api yang dapat menyalakan debu atau uap tersebut.
3. **Jauhkan anak-anak dan orang lain saat menggunakan mesin listrik.** Bila perhatian terpecah, anda dapat kehilangan kendali.

Keamanan Kelistrikan

1. **Steker mesin listrik harus cocok dengan stopkontak. Jangan sekali-kali mengubah steker dengan cara apa pun. Jangan menggunakan steker adaptor dengan mesin listrik terbumi (dibumikan).** Steker yang tidak diubah dan stopkontak yang cocok akan mengurangi risiko sengatan listrik.
2. **Hindari sentuhan tubuh dengan permukaan terbumi atau yang dibumikan seperti pipa, radiator, kompor, dan kulkas.** Risiko sengatan listrik bertambah jika tubuh Anda terbumikan atau dibumikan.
3. **Jangan membiarkan mesin listrik kehujanan atau kebasahan.** Air yang masuk ke dalam mesin listrik akan meningkatkan risiko sengatan listrik.
4. **Jangan menyalahgunakan kabel. Jangan sekali-kali menggunakan kabel untuk membawa, menarik, atau mencabut mesin listrik dari stopkontak. Jauhkan kabel dari panas, minyak, tepian tajam, atau bagian yang bergerak.** Kabel yang rusak atau kusut memperbesar risiko sengatan listrik.
5. **Bila menggunakan mesin listrik di luar ruangan, gunakan kabel ekstensi yang sesuai untuk penggunaan di luar ruangan.** Penggunaan kabel yang sesuai untuk penggunaan luar ruangan mengurangi risiko sengatan listrik.
6. **Jika mengoperasikan mesin listrik di lokasi lembap tidak terhindarkan, gunakan pasokan daya yang dilindungi peranti imbasan arus (residual current device - RCD).** Penggunaan RCD mengurangi risiko sengatan listrik.
7. **Mesin listrik dapat menghasilkan medan magnet (EMF) yang tidak berbahaya bagi pengguna.** Namun, pengguna alat pacu jantung atau peralatan medis sejenisnya harus berkonsultasi dengan produsen peralatan tersebut dan/atau dokter mereka sebelum mengoperasikan mesin listrik ini.

Keselamatan Diri

1. **Jaga kewaspadaan, perhatikan pekerjaan Anda dan gunakan akal sehat bila menggunakan mesin**

listrik. Jangan menggunakan mesin listrik saat Anda lelah atau di bawah pengaruh obat bius, alkohol, atau obat. Sekejap saja lalai saat menggunakan mesin listrik dapat menyebabkan cedera badan serius.

2. **Gunakan alat pelindung diri. Selalu gunakan pelindung mata.** Peralatan pelindung seperti masker debu, sepatu pengaman anti-selip, helm pengaman, atau pelindung telinga yang digunakan untuk kondisi yang sesuai akan mengurangi risiko cedera badan.
3. **Cegah penyalaaan yang tidak disengaja. Pastikan bahwa sakelar berada dalam posisi mati (off) sebelum menghubungkan mesin ke sumber daya dan/atau paket baterai, atau mengangkat atau membawanya.** Membawa mesin listrik dengan jari Anda pada sakelarnya atau mengalirkan listrik pada mesin listrik yang sakelarnya hidup (on) akan mengundang kecelakaan.
4. **Lepaskan kunci-kunci penyetel sebelum menghidupkan mesin listrik.** Kunci-kunci yang masih terpasang pada bagian mesin listrik yang berputar dapat menyebabkan cedera.
5. **Jangan meraih terlalu jauh. Jagalah pijakan dan keseimbangan sepanjang waktu.** Hal ini memungkinkan kendali yang lebih baik atas mesin listrik dalam situasi yang tidak diharapkan.
6. **Kenakan pakaian yang memadai. Jangan memakai pakaian yang longgar atau perhiasan. Jaga jarak antara rambut dan pakaian Anda dengan komponen mesin yang bergerak.** Pakaian yang longgar, perhiasan, atau rambut yang panjang dapat tersangkut pada komponen yang bergerak.
7. **Jika tersedia fasilitas untuk menghisap dan mengumpulkan debu, pastikan fasilitas tersebut terhubung listrik dan digunakan dengan baik.** Penggunaan pembersih debu dapat mengurangi bahaya yang terkait dengan debu.
8. **Jangan sampai Anda lengah dan mengabaikan prinsip keselamatan mesin ini hanya karena sudah sering mengoperasikannya dan sudah merasa terbiasa.** Tindakan yang lalai dapat menyebabkan cedera berat dalam sepersekian detik saja.
9. **Selalu kenakan kacamata pelindung untuk melindungi mata dari cedera saat menggunakan mesin listrik. Kacamata harus sesuai dengan ANSI Z87.1 di Amerika Serikat, EN 166 di Eropa, atau AS/NZS 1336 di Australia/Selandia Baru. Di Australia/Selandia Baru, secara hukum Anda juga diwajibkan mengenakan pelindung wajah untuk melindungi wajah Anda. (Gb. 1)** Menjadi tanggung jawab atasan untuk menerapkan penggunaan alat pelindung keselamatan yang tepat bagi operator mesin dan orang lain yang berada di area kerja saat itu.

Penggunaan dan pemeliharaan mesin listrik

1. **Jangan memaksa mesin listrik. Gunakan mesin listrik yang tepat untuk keperluan Anda.** Mesin listrik yang tepat akan menuntaskan pekerjaan dengan lebih baik dan aman pada kecepatan sesuai rancangannya.
2. **Jangan gunakan mesin listrik jika sakelar tidak dapat menyalakan dan mematikannya.** Mesin listrik

yang tidak dapat dikendalikan dengan sakelarnya adalah berbahaya dan harus diperbaiki.

3. **Cabut steker dari sumber listrik dan/atau lepas paket baterai, jika dapat dilepas, dari mesin listrik sebelum melakukan penyetelan apa pun, mengganti aksesoris, atau menyimpan mesin listrik.** Langkah keselamatan preventif tersebut mengurangi risiko hidupnya mesin secara tak sengaja.
4. **Simpan mesin listrik jauh dari jangkauan anak-anak dan jangan biarkan orang yang tidak paham mengenai mesin listrik tersebut atau petunjuk ini menggunakan mesin listrik.** Mesin listrik sangat berbahaya di tangan pengguna yang tak terlatih.
5. **Rawatlah mesin listrik dan aksesoris. Periksa apakah ada komponen bergerak yang tidak lurus atau macet, komponen yang pecah, dan kondisi-kondisi lain yang dapat memengaruhi pengoperasian mesin listrik. Jika rusak, perbaiki mesin listrik terlebih dahulu sebelum digunakan.** Banyak kecelakaan disebabkan oleh kurangnya pemeliharaan mesin listrik.
6. **Jaga agar mesin pemotong tetap tajam dan bersih.** Mesin pemotong yang terawat baik dengan mata pemotong yang tajam tidak mudah macet dan lebih mudah dikendalikan.
7. **Gunakan mesin listrik, aksesoris, dan mata mesin, dll. sesuai dengan petunjuk ini, dengan memperhitungkan kondisi kerja dan jenis pekerjaan yang dilakukan.** Penggunaan mesin listrik untuk penggunaan yang lain dari peruntukan dapat menimbulkan situasi berbahaya.
8. **Jagalah agar gagang dan permukaan pegangan tetap kering, bersih, dan bebas dari minyak dan pelumas.** Gagang dan permukaan pegangan yang licin tidak mendukung keamanan penanganan dan pengendalian mesin dalam situasi-situasi tak terduga.
9. **Ketika menggunakan mesin, jangan menggunakan sarung tangan kain yang dapat tersangkut.** Sarung tangan kain yang tersangkut pada komponen bergerak dapat mengakibatkan cedera pada pengguna.

Penggunaan dan pemeliharaan mesin bertena- gaga baterai

1. **Isi ulang baterai hanya dengan pengisi daya yang ditentukan oleh pabrikan.** Pengisi daya yang cocok untuk satu jenis paket baterai dapat menimbulkan risiko kebakaran ketika digunakan untuk paket baterai yang lain.
2. **Gunakan mesin listrik hanya dengan paket baterai yang telah ditentukan secara khusus.** Penggunaan paket baterai lain dapat menimbulkan risiko cedera dan kebakaran.
3. **Ketika paket baterai tidak digunakan, jauhkan dari benda logam lain, seperti penjepit kertas, uang logam, kunci, paku, sekrup atau benda logam kecil lainnya, yang dapat menghubungkan satu terminal ke terminal lain.** Hubungan singkat terminal baterai dapat menyebabkan luka bakar atau kebakaran.
4. **Pemakaian yang salah, dapat menyebabkan keluarnya cairan dari baterai; hindari kontak. Jika terjadi kontak secara tidak sengaja, bilas dengan air. Jika cairan mengenai mata, cari bantuan**

medis. Cairan yang keluar dari baterai bisa menyebabkan iritasi atau luka bakar.

5. **Jangan menggunakan paket baterai atau mesin yang sudah rusak atau telah diubah.** Baterai yang rusak atau telah diubah dapat menyebabkan hal-hal yang tidak dapat diprediksi yang dapat menyebabkan kebakaran, ledakan atau risiko cedera.
6. **Jangan membiarkan paket baterai atau mesin dekat dengan api atau suhu yang berlebihan.** Pajanan api atau suhu di atas 130 °C dapat menyebabkan ledakan.
7. **Ikuti semua petunjuk pengisian daya dan jangan mengisi daya paket baterai atau mesin di luar rentang suhu yang ditentukan di panduan.** Mengisi daya secara tidak tepat atau pada suhu di luar rentang yang ditentukan dapat merusak baterai dan meningkatkan risiko kebakaran.

Servis

1. **Berikan mesin listrik untuk diperbaiki hanya kepada oleh teknisi yang berkualifikasi dengan menggunakan hanya suku cadang pengganti yang serupa.** Hal ini akan menjamin terjaganya keamanan mesin listrik.
2. **Jangan pernah memperbaiki paket baterai yang sudah rusak.** Perbaikan paket baterai harus dilakukan hanya oleh produsen atau penyedia servis resmi.
3. **Patuhi petunjuk pelumasan dan penggantian aksesoris.**

PERINGATAN KESELAMATAN GERGAJI BUNDAIR NIRKABEL

GEB151-1

Prosedur pemotongan

1. **⚠ BAHAYA: Jauhkan tangan dari area pemotongan dan mata pisau. Jaga tangan kedua Anda pada pegangan tambahan, atau tempat motor mesin berada.** Kedua tangan tidak akan terpotong mata pisau jika keduanya memegang gergaji.
2. **Jangan meraih bagian bawah benda kerja.** Pelindung tidak dapat melindungi Anda dari mata pisau yang ada di bawah benda kerja.
3. **Setel kedalaman pemotongan terhadap ketebalan benda kerja.** Sebagian gigi mata pisau harus terlihat di bawah benda kerja.
4. **Jangan pernah memegang benda kerja dengan meletakkannya dalam genggaman tangan atau jepitan kaki Anda. Pastikan benda kerja berada pada platform yang stabil.** Sangat penting untuk meninjau pekerjaan dengan benar untuk meminimalkan tubuh terpapar, mata pisau terikat, atau kehilangan kontrol. (Gb. 2)
5. **Pegang mesin pada permukaan genggaman yang terinsulasi saat melakukan pekerjaan yang memiliki kemungkinan alat pemotong bersentuhan dengan kabel yang tersembunyi atau kabel mesin tersebut.** Sentuhan kawat "hidup" dapat menyebabkan logam pada mesin teraliri arus listrik dan menyengat pengguna.
6. **Saat membelah, selalu gunakan pagar pembelahan atau petunjuk tepi lurus.** Hal ini meningkatkan

akurasi potongan dan mengurangi kemungkinan terikatnya mata pisau.

7. **Selalu gunakan mata pisau dengan ukuran dan bentuk yang tepat (bentuk berlian atau lingkaran) dari lubang lengkung.** Mata pisau yang tidak sesuai untuk dipasang pada perangkat keras gergaji jika digunakan akan melenceng dari pusatnya sehingga mengakibatkan kehilangan kontrol.
8. **Jangan pernah gunakan cincin mata pisau atau baut yang salah.** Cincin mata pisau dan baut dirancang secara khusus untuk gergaji Anda, untuk kinerja yang optimal dan keselamatan pengoperasian.

Penyebab hentakan balik dan peringatan terkait

- sentakan balik adalah reaksi mendadak dari mata gergaji yang terjepit, tersangkut atau tidak sejajar, menyebabkan gergaji yang tidak terkontrol mungkin terangkat dan keluar dari benda kerja ke arah operator;
- saat mata pisau terjepit atau tersangkut kuat oleh goresan tertutup, mata pisau berhenti bergerak dan reaksi motor menggerakkan unit dengan cepat ke arah operator;
- jika mata pisau terikat atau tidak sejajar pada potongan, gigi pada tepi belakang mata pisau dapat menggali ke permukaan atas kayu menyebabkan mata pisau keluar naik dari goresan dan melompat kembali ke arah operator.

Hentikan balik merupakan akibat dari salah cara menggunakan gergaji dan/atau prosedur atau kondisi pengoperasian yang salah dan dapat dihindari dengan melakukan tindakan kewaspadaan yang tepat sebagaimana diuraikan di bawah ini.

1. **Pertahankan pegangan yang kuat pada gergaji dengan kedua tangan dan posisikan lengan Anda untuk menahan kekuatan balik.** Posisikan tubuh Anda di sisi mata pisau, bukan sejajar dengan mata pisau. Hentakan balik dapat menyebabkan gergaji melompat ke belakang, namun kekuatan hentakan balik dapat dikontrol oleh operator, jika dilakukan tindakan pencegahan yang tepat.
2. **Saat mata pisau terikat, atau saat menyela pemotongan, lepaskan picu dan pegang gergaji tidak bergerak dalam bahan kerja sampai mata pisau benar-benar berhenti.** Jangan pernah mencoba melepas gergaji dari pekerjaan atau menarik gergaji ke belakang saat mata pisau bergerak, jika tidak, akan terjadi hentakan balik. Periksa dan ambil tindakan yang tepat untuk menyingkirkan penyebab terikatnya mata pisau.
3. **Saat memulai ulang gergaji pada benda kerja, pusatkan mata gergaji di goresan sehingga gigi gergaji tidak tersangkut pada benda kerja.** Jika mata gergaji tersangkut, maka mata gergaji mungkin keluar atau menyentak balik dari benda kerja saat gergaji dimulai ulang.
4. **Tunjang panel besar untuk meminimalkan risiko mata pisau terjepit dan terhentak balik.** Panel besar cenderung melengkung karena beratnya. Penunjang harus ditempatkan di bawah panel pada kedua sisi, dekat garis pemotongan dan tepi panel. (Gb. 3 & 4)
5. **Jangan gunakan mata pisau yang tumpul atau rusak.** Set mata pisau yang tidak diasah atau tidak tepat dapat menghasilkan goresan yang tipis yang dapat menyebabkan gesekan berlebih, terikatnya mata pisau dan hentakan balik.

6. **Ketajaman mata pisau dan tuas pengunci penyetel sudut harus kencang dan aman sebelum pemotongan.** Apabila penyetelan mata pisau bergeser saat memotong, hal ini dapat menyebabkan mata pisau terikat dan terhentak balik.
7. **Berhati-hatilah saat menggergaji dinding atau area buta lain.** Mata pisau yang mencuat dapat memotong objek yang dapat menyebabkan hentakan balik.
8. **SELALU pegang mesin kuat-kuat dengan kedua tangan. JANGAN PERNAH letakkan tangan, kaki atau bagian tubuh Anda di bawah dudukan mesin atau di belakang gergaji, terutama saat membuat potongan menyilang.** Apabila terjadi hentakan balik, gergaji dapat dengan mudah melompat ke balakang tangan, dan mengakibatkan cedera serius. (Gb. 5)
9. **Jangan sekali-kali menekan gergaji. Dorong gergaji ke depan dengan satu kecepatan sehingga mata pisau memotong tanpa melambat.** Menekan gergaji dapat menyebabkan potongan yang tidak merata, tidak adanya akurasi, dan kemungkinan terjadinya hentakan balik.

Fungsi pelindung

1. **Periksa apakah pelindung bagian bawah tertutup dengan baik setiap kali akan digunakan. Jangan mengoperasikan gergaji jika pelindung bagian bawah tidak bergerak bebas dan menutup dengan cepat. Jangan pernah menjepit atau mengikat pelindung bagian bawah ke posisi terbuka.** Jika gergaji terjatuh dengan tidak sengaja, pelindung bagian bawah dapat bengkok. Naikkan pelindung bagian bawah menggunakan pegangan penarik dan pastikan pelindung bergerak bebas dan tidak menyentuh mata pisau atau bagian lain, dalam semua sudut dan kedalaman potongan.
2. **Periksa pengoperasian pegas pelindung bagian bawah. Jika pelindung dan pegas tidak beroperasi dengan benar, maka pelindung dan pegas harus diservis sebelum digunakan.** Pelindung bagian bawah dapat beroperasi dengan lambat karena ada bagian yang rusak, lapisan yang lengket, atau serpihan.
3. **Pelindung bagian bawah dapat ditarik secara manual hanya untuk pemotongan khusus seperti “potongan plunge” dan “potongan campuran”.** Naikkan pelindung bagian bawah menggunakan pegangan penarik, dan pelindung bagian bawah harus dilepas segera setelah mata pisau memasuki material. Untuk semua penggergajian lainnya, pelindung bagian bawah harus beroperasi secara otomatis.
4. **Selalu perhatikan apakah pelindung bagian bawah menutupi mata pisau sebelum menempatkan gergaji pada bangku atau lantai.** Mata pisau yang tidak terlindung dan meluncur akan menyebabkan gergaji berjalan mundur, memotong apa saja yang ada di jalurnya. Perhatikanlah waktu yang diperlukan mata pisau untuk berhenti setelah sakelar dilepas.
5. **Untuk memeriksa pelindung bagian bawah, buka pelindung bawah dengan tangan lalu lepas dan perhatikan penutupan pelindung.** Periksa juga untuk melihat apakah pegangan penarik tidak menyentuh rumah mesin. Membiarkan mata pisau terbuka adalah hal yang SANGAT BERBAHAYA dan dapat menyebabkan cedera serius.

Peringatan keselamatan tambahan

1. **Berhati-hatilah saat memotong kayu yang basah, kayu balok, atau kayu yang mengandung mata kayu.** Pertahankan laju mesin yang halus tanpa mengurangi kecepatan mata pisau untuk menghindari panas berlebihan pada ujung mata pisau.
2. **Jangan mencoba menghilangkan material pemotongan saat mata pisau bergerak. Tunggu sampai mata pisau berhenti sebelum memegang material pemotongan.** Mata pisau meluncur setelah dimatikan.
3. **Hindari memotong paku.** Periksa dan buang semua paku dari kayu sebelum pengoperasian.
4. **Tempatkan bagian yang lebih besar dari dudukan gergaji pada bagian benda kerja yang disokong dengan kuat, bukan pada bagian yang akan jatuh saat pemotongan.** Jepit benda kerja jika berukuran kecil atau pendek. **JANGAN MENCoba MEMEGANG BAGIAN YANG PENDEK DENGAN TANGAN!** (Gb. 6)
5. **Sebelum menyétel mesin setelah menyelesaikan satu potongan, pastikan pelindung telah tertutup dan mata pisau telah benar-benar berhenti.**
6. **Jangan pernah mencoba menggergaji dengan gergaji bundar yang dipasang terbalik pada ragam.** Hal ini sangat berbahaya dan dapat mengakibatkan kecelakaan serius. (Gb. 7)
7. **Bahan tertentu mengandung zat kimia yang mungkin beracun.** Hindari menghirup debu dan persentuhan dengan kulit. Ikuti data keselamatan bahan dari pemasok.
8. **Jangan menghentikan mata pisau dengan tekanan lateral pada mata gergaji.**
9. **Jangan gunakan roda ampelas apa pun.**
10. **Gunakan hanya mata gergaji dengan diameter yang ditandai pada mesin atau ditentukan dalam petunjuk.** Menggunakan mata pisau dengan ukuran yang salah akan memengaruhi perlindungan mata pisau atau pengoperasian pelindung yang dapat mengakibatkan cedera serius.
11. **Jaga mata pisau tetap tajam dan bersih.** Getah dan ter kayu yang mengeras pada mata pisau memperlambat gergaji dan meningkatkan risiko terjadinya hentakan balik. Jaga agar mata pisau tetap bersih dengan melepasnya terlebih dahulu dari mesin, lalu membersihkannya dengan penghilang getah dan ter, air panas atau kerosin. Jangan pernah gunakan bensin.
12. **Gunakan masker debu dan pelindung telinga saat menggunakan mesin.**
13. **Selalu gunakan mata gergaji yang khusus digunakan untuk memotong material yang Anda inginkan.**
14. **Hanya gunakan mata gergaji dengan kecepatan yang sama atau lebih tinggi dari kecepatan yang tertera pada mesin.**
15. **(Hanya untuk negara-negara Eropa)** Gunakan hanya mata pisau yang sesuai dengan EN847-1.

SIMPAN PETUNJUK INI.

 **PERINGATAN:** JANGAN biarkan kenyamanan atau terbiasanya Anda dengan produk (karena

penggunaan berulang) mengurangi kepatuhan yang ketat terhadap aturan keselamatan untuk produk yang terkait. **PENYALAHGUNAAN** atau kelalaian mematuhi kaidah keselamatan yang tertera dalam petunjuk ini dapat menyebabkan cedera badan serius.

PETUNJUK KESELAMATAN PENTING UNTUK KARTRID BATERAI

ENC007-12

1. **Sebelum menggunakan kartrid baterai, bacalah semua petunjuk dan tanda peringatan pada (1) pengisi baterai, (2) baterai, dan (3) produk yang menggunakan baterai.**
2. **Jangan membongkar kartrid baterai.**
3. **Jika waktu pengoperasian telah menjadi terlalu singkat, segera hentikan pengoperasian.** Keadaan tersebut dapat mengakibatkan risiko timbulnya panas berlebihan, kemungkinan luka bakar, dan bahkan ledakan.
4. **Jika ada elektrolit yang masuk ke mata, bilaslah bersih-bersih dengan air bersih dan segera cari bantuan medis.** Hal itu dapat mengakibatkan hilangnya penglihatan.
5. **Jangan menghubsngsingkatkan kartrid baterai:**
 - (1) **Jangan menyentuh terminal-terminalnya dengan bahan konduktif.**
 - (2) **Hindari menyimpan kartrid baterai dalam wadah bersama dengan benda logam lainnya seperti paku, koin, dll.**
 - (3) **Jangan biarkan kartrid baterai terkena air atau hujan.**

Hubungan singkat baterai dapat menyebabkan aliran arus yang besar, panas berlebihan, kemungkinan luka bakar, dan bahkan kerusakan permanen.

6. **Jangan menyimpan alat ini dan kartrid baterai di tempat yang suhunya dapat mencapai atau melebihi 50°C (122°F).**
7. **Jangan membakar kartrid baterai bahkan meskipun kartrid sudah rusak parah atau benar-benar rusak.** Kartrid baterai dapat meledak di dalam api.
8. **Berhati-hatilah agar baterai tidak sampai terjatuh atau terpukul.**
9. **Jangan menggunakan baterai yang rusak.**
10. **Baterai lithium-ion yang disertakan sesuai dengan persyaratan Perundangan Makanan Berbahaya.** Harus ada pengawasan untuk pengangkutan komersial misalnya oleh pihak ketiga, ekspediter, persyaratan khusus terhadap pengemasan dan pelabelan.
Diperlukan adanya konsultasi dengan ahli mengenai material berbahaya untuk persiapan barang yang akan dikirimkan. Perhatikan pula peraturan nasional yang lebih terperinci yang mungkin ada. Beri perekat atau tutupi bagian yang terbuka dan kemasi baterai dengan cara yang tidak akan menimbulkan pergeseran dalam pengemasan.
11. **Ikutilah peraturan setempat terkait pembuangan baterai.**
12. **Gunakan baterai hanya dengan produk yang ditentukan oleh Makita.** Memasang baterai pada produk yang tidak sesuai dapat mengakibatkan

kebakaran, panas berlebihan, ledakan, atau kebocoran elektrolit.

SIMPAN PETUNJUK INI.

⚠ PERHATIAN: Gunakan baterai asli Makita.

Penggunaan baterai Makita yang tidak asli, atau baterai yang sudah diubah, akan mengakibatkan baterai mudah terbakar, cedera dan kerusakan. Akan menghilangkan garansi Makita pada pengisi daya dan alat Makita.

Kiat untuk mempertahankan usia pakai baterai maksimum

1. **Isilah kembali kartrid baterai sebelum baterai sepenuhnya habis.**
Selalu hentikan pengoperasian alat dan isi kartrid baterai saat Anda merasakan bahwa tenaga alat telah berkurang.
2. **Jangan sekali-kali mengisi ulang kartrid baterai yang telah terisi penuh.**
Mengisi baterai terlalu banyak akan memperpendek usia pakai baterai.
3. **Isilah kartrid baterai dalam ruangan bersuhu antara 10°C - 40°C (50°F - 104°F).** Biarkan kartrid baterai yang panas mendingin lebih dahulu sebelum mengisinya.
4. **Ganti kartrid baterai jika Anda akan tidak menggunakannya untuk waktu yang lama (lebih dari enam bulan).**

DESKRIPSI FUNGSI

⚠ PERHATIAN:

- Selalu pastikan bahwa mesin dalam keadaan mati dan kartrid baterainya telah dilepas sebelum menyetel atau memeriksa fungsi mesin.

Memasang atau melepas kartrid baterai (Gb. 8)

⚠ PERHATIAN:

- Selalu matikan mesin sebelum memasang atau melepas kartrid baterainya.
- **Pegang mesin dan kartrid baterai kuat-kuat saat memasang atau melepaskan kartrid baterai.** Bila tidak dipegang dengan kuat, mesin dan kartrid baterai dapat terlepas dari tangan Anda dan menyebabkan kerusakan pada mesin dan kartrid baterai serta cedera.

Untuk mengeluarkan kartrid baterai, geser kartrid dari mesin sambil menggeser tombol pada bagian depan kartrid.

Untuk memasang kartrid baterai, luruskan lidah pada kartrid baterai dengan alur pada rumah mesin dan dorong masuk kartrid ke tempatnya. Masukkan kartrid sepenuhnya sampai terkunci di tempatnya yang ditandai dengan suara klik pelan. Jika Anda dapat melihat indikator merah di sisi atas tombol, berarti baterai belum terkunci sepenuhnya.

⚠ PERHATIAN:

- Selalu pasang kartrid baterai sepenuhnya sampai indikator merah tidak terlihat. Jika tidak, komponen ini dapat terlepas dan jatuh dari mesin, sehingga

menyebabkan cedera pada Anda atau orang lain di sekitar Anda.

- Jangan memasang kartrid baterai secara paksa. Jika kartrid tidak dapat meluncur masuk dengan mudah, berarti posisi memasukkannya belum tepat.

CATATAN:

- Mesin tidak dapat bekerja dengan hanya satu kartrid baterai.
- Bila kartrid baterai tidak dapat dilepas dengan mudah, dorong baterai dari sisi tombol yang berlawanan dan geser baterai.

Sistem perlindungan mesin/baterai

Mesin ini dilengkapi dengan sistem perlindungan mesin/baterai. Sistem ini secara otomatis memutus aliran daya ke motor untuk memperpanjang usia pakai mesin dan baterai.

Mesin akan secara otomatis berhenti beroperasi jika mesin atau baterainya berada dalam salah satu keadaan berikut ini. Dalam beberapa kondisi, indikator menyala.

(Gb. 9)

Perlindungan dari kelebihan beban

Bila mesin dioperasikan dengan cara yang membuatnya menyedot arus yang luar biasa besar, mesin akan secara otomatis berhenti tanpa indikasi. Dalam keadaan ini, matikan mesin dan hentikan pemakaian yang menyebabkan mesin kelebihan beban. Kemudian hidupkan mesin untuk menjalankannya kembali.

Perlindungan dari panas berlebihan untuk mesin

Bila mesin mengalami panas berlebihan, mesin secara otomatis berhenti dan indikator panas berlebihan menyala selama sekitar 60 detik. Dalam keadaan ini, biarkan mesin menjadi dingin lebih dulu sebelum menghidupkan mesin lagi.

Perlindungan dari panas berlebihan untuk baterai

Bila baterai mengalami panas berlebihan, mesin secara otomatis berhenti tanpa indikasi. Mesin tidak akan hidup meskipun picu sakelarnya ditarik. Dalam keadaan ini, biarkan baterai menjadi dingin lebih dulu sebelum menghidupkan mesin lagi.

CATATAN:

Perlindungan dari panas berlebihan untuk baterai hanya bekerja dengan kartrid baterai yang memiliki tanda gambar bintang. (Gb. 10)

Perlindungan dari pengeluaran daya berlebihan

Bila kapasitas baterai yang tersisa tinggal sedikit, indikator baterai berkedip pada sisi baterai yang sesuai. Bila digunakan terus, mesin akan berhenti dan indikator baterai menyala selama sekitar 10 detik. Dalam keadaan demikian, isi kembali kartrid baterai.

Menunjukkan kapasitas baterai yang tersisa

Hanya untuk kartrid baterai dengan indikator (Gb. 11)

Tekan tombol pemeriksaan pada kartrid baterai untuk melihat kapasitas baterai yang tersisa. Lampu indikator menyala selama beberapa detik.

Lampu indikator			Kapasitas tersisa
Menyala	Mati	Berkedip	
■	□	◐	75% sampai 100%
■	■	■	50% sampai 75%
■	■	□	25% sampai 50%
■	□	□	0% sampai 25%
◐	□	□	Isilah baterai.
■	■	□	Baterai mungkin telah rusak/ malfungsi.
□	□	■	

CATATAN:

- Tergantung pada kondisi penggunaan dan suhu udara sekitar, tampilan indikasi dapat sedikit berbeda dengan kapasitas sesungguhnya.

Menyetel kedalaman pemotongan (Gb. 12)

⚠ PERHATIAN:

- Setelah menyetel kedalaman pemotongan, selalu kencangkan tuasnya dengan kuat.

Kendurkan tuas pada pemandu kedalaman dan gerakkan alas naik atau turun. Pada kedalaman pemotongan yang diinginkan, kencangkan alas dengan mengencangkan tuas tersebut.

Untuk pemotongan yang lebih bersih dan lebih aman, setel kedalaman pemotongan hingga tidak lebih dari satu gigi roda gergaji menonjol di bawah benda kerja.

Menggunakan kedalaman pemotongan yang benar mengurangi potensi TENDANG-BALIK berbahaya yang dapat menimbulkan cedera.

Pemotongan miring (Gb. 13 & 14)

Kendurkan tuas depan dan mur kupu-kupu belakang. Setel ke sudut yang diinginkan (0° - 50°) dengan memiringkannya ke sudut tersebut, kemudian kencangkan tuas dan mur kupu-kupu dengan kuat.

(Gb. 15)

Gunakan penghenti 45° saat Anda melakukan pemotongan miring tepat 45°. Putar penghenti searah jarum jam sepenuhnya untuk pemotongan miring (0° - 45°) dan putar berlawanan arah jarum jam untuk pemotongan miring 0° - 50°.

Pelurusan (pembidikan) garis pemotongan (Gb. 16)

Untuk pemotongan lurus, luruskan posisi 0° pada bagian depan alas dengan garis pemotongan Anda. Untuk pemotongan miring 45°, luruskan posisi 45° dengan garis pemotongan. Posisi pemandu atas dapat disesuaikan.

Gerakan sakelar (Gb. 17)

⚠ PERHATIAN:

- Sebelum memasang kartrid baterai ke dalam mesin, selalu pastikan bahwa picu sakelar bekerja dengan baik dan kembali ke posisi "OFF" saat dilepaskan.
- Jangan menarik picu sakelar kuat-kuat tanpa menekan tuas kunci-mati. Ini dapat menyebabkan sakelar rusak.

Untuk mencegah picu sakelar tertarik secara tidak disengaja, disediakan tuas kunci-mati. Untuk menjalankan mesin, tekan tuas kunci-mati dan tarik picu sakelar. Lepaskan picu sakelar untuk menghentikannya.

⚠ PERINGATAN:

- Demi keselamatan Anda, mesin ini dilengkapi dengan tuas kunci-mati yang mencegah mesin terhidupkan secara tidak sengaja. JANGAN SEKALI-KALI menggunakan mesin jika mesin dapat dihidupkan hanya dengan menarik picu sakelarnya tanpa menekan tuas kunci-matinya. Kembalikan mesin ke pusat servis MAKITA untuk diperbaiki dengan benar SEBELUM digunakan.
- JANGAN SEKALI-KALI memplester atau menonaktifkan tujuan dan fungsi tuas kunci-mati.

PERAKITAN

⚠ PERHATIAN:

- Selalu pastikan bahwa mesin dalam keadaan mati dan kartrid baterainya dilepas sebelum melakukan pekerjaan apa pun pada mesin.

Melepas atau memasang roda gergaji

⚠ PERHATIAN:

- Pastikan roda gergaji terpasang dengan gigi menghadap ke atas di depan mesin.
- Gunakan hanya kunci pas Makita untuk memasang atau melepas roda gergaji. (Gb. 18)

Untuk melepas roda gergaji, tekan kunci as sehingga roda tidak dapat berputar dan gunakan kunci pas itu untuk mengendurkan baut hex dengan memutarinya berlawanan arah jarum jam. Lalu lepas baut hex, flensa luar, dan roda gergaji.

Untuk mesin dengan flensa-dalam untuk roda gergaji berdiameter-lubang 15,88 mm (Gb. 19)

Pasang flensa-dalam dengan sisi berceruk (cekung) menghadap keluar pada poros pemasangan dan kemudian pasang roda gergaji, flensa luar, dan baut hex. PASTIKAN ANDA MENGENCANGKAN BAUT HEX SEARAH JARUM JAM DENGAN KUAT.

Untuk mesin dengan flensa-dalam untuk roda gergaji berdiameter-lubang selain 15,88 mm (Gb. 20)

Flensa dalam memiliki tonjolan berdiameter tertentu pada salah satu sisinya dan tonjolan dengan diameter berbeda pada sisi lainnya. Pilihlah sisi yang benar, yaitu yang tonjolannya terpasang pas sempurna ke dalam lubang roda gergaji.

Selanjutnya, pasang flensa-dalam pada poros pemasangan sehingga sisi tonjolan yang benar pada flensa-dalam menghadap ke luar dan kemudian pasang roda gergaji dan flensa luar.

PASTIKAN ANDA MENGENCANGKAN BAUT HEX SEARAH JARUM JAM DENGAN KUAT.

PERHATIAN:

- Pastikan bahwa tonjolan “a” pada flensa dalam yang berada di sisi luar terpasang pas ke dalam lubang roda gergaji “a” dengan sempurna. Memasang roda gergaji pada sisi yang salah dapat mengakibatkan getaran yang berbahaya. (Gb. 21)

Saat mengganti roda gergaji, pastikan untuk membersihkan pula pelindung atas dan bawah roda gergaji dari serbuk gergaji yang terakumulasi. Namun, tindakan ini tidak menggantikan perlunya memeriksa kerja pelindung bawah setiap kali sebelum menggunakan mesin.

Penyimpanan kunci hex (Gb. 22)

Bila tidak sedang digunakan, simpanlah kunci hex seperti terlihat dalam gambar agar tidak hilang.

Menghubungkan mesin pembersih vakum

Aksesoris tambahan (Gb. 23 & 24)

Bila Anda ingin melakukan pekerjaan pemotongan yang bersih, hubungkan mesin pembersih vakum Makita ke mesin Anda. Pasang nozel debu pada mesin menggunakan sekrupnya. Kemudian hubungkan slang mesin pembersih vakum ke nozel debu seperti terlihat dalam gambar.

PENGOPERASIAN

PERHATIAN:

- Pastikan Anda menggerakkan mesin lurus ke depan dan dengan perlahan. Memaksa atau memuntir mesin akan menyebabkan motor kepanasan dan tendang-balik yang berbahaya dan dapat menyebabkan cedera parah.
- Selalu gunakan pegangan depan dan gagang belakang dan pegang mesin kuat-kuat pada pegangan depan dan sekaligus gagang belakang selama mengoperasikannya. (Gb. 25)

Pegang mesin dengan kuat. Mesin ini dilengkapi dengan pegangan depan dan sekaligus gagang belakang. Gunakan keduanya untuk mendapat pegangan terbaik atas mesin. Jika tangan Anda keduanya memegang gergaji, roda gergaji tidak akan mungkin dapat mengenyainya. Letakkan alas gergaji pada benda kerja yang akan dipotong tanpa membuat roda gergaji menyentuh benda kerja. Lalu nyalakan mesin dan tunggu hingga roda mencapai kecepatan penuh. Sekarang, cukup gerakkan mesin maju di atas permukaan benda kerja, dengan menjaganya tetap mendarat dan maju dengan lancar sampai penggergajian selesai.

Agar pemotongan bersih, jaga agar penggergajian tetap lurus dan kecepatan potong seragam. Jika pemotongan gagal mengikuti garis pemotongan yang diinginkan, jangan mencoba membelokkan atau memaksa mesin kembali ke garis pemotongan. Melakukan hal itu dapat membuat roda gergaji macet dan mengakibatkan tendang-balik yang berbahaya dan kemungkinan cedera serius. Lepaskan sakelar, tunggu roda berhenti, dan kemudian tarik mesin mundur. Luruskan kembali mesin pada garis pemotongan baru, dan mulailah pemotongan kembali. Usahakan untuk menghindari pemosisian yang membuat operator bisa terkena serpihan dan debu kayu

yang terlontar dari gergaji. Gunakan pelindung mata untuk membantu menghindari cedera.

Rip fence (Penggaris pemandu) (Gb. 26)

Rip fence (penggaris pemandu) memungkinkan Anda membuat potongan lurus yang sangat akurat. Cukup geser rip fence (penggaris pemandu) hingga menempel dengan pas pada sisi benda kerja dan amankan pada posisinya dengan tuas klem di depan alas. Anda juga dapat melakukan pemotongan berulang yang lebarnya seragam.

PERAWATAN

PERHATIAN:

- Selalu pastikan mesin sudah dimatikan dan stekernya dicabut sebelum melakukan pemeriksaan atau perawatan.
- Jangan sekali-kali menggunakan bensin, tiner, alkohol, atau bahan sejenisnya. Penggunaan bahan demikian dapat menyebabkan perubahan warna dan bentuk serta timbulnya retakan.

Menyetel akurasi pemotongan 0° dan 45° (pemotongan vertikal dan 45°) (Gb. 27 & 28)

Penyetelan ini telah dilakukan di pabrik. Tetapi jika setelan ini sudah tidak tepat lagi, setel sekrup penyetel dengan kunci hex sambil memeriksa sudut 0° atau 45° roda gergaji dengan alas menggunakan penggaris segitiga atau penggaris siku, dll.

Menyetel kesejajaran (Gb. 29)

Kesejajaran antara roda gergaji dan alas telah disetel dari pabriknya. Tetapi jika setelan ini sudah tidak tepat lagi, Anda dapat menyetelnya dengan prosedur berikut ini. Pastikan semua tuas dan sekrup kencang. Kendurkan sekrup sedikit seperti dalam ilustrasi. Sambil membuka pelindung bawah, gerakkan bagian belakang alas sehingga jarak A dan B sama panjang. Setelah menyetel, kencangkan sekrup. Lakukan uji pemotongan untuk mendapatkan kesejajaran yang benar.

Mengganti borstel arang (Gb. 30)

Lepaskan dan periksa borstel arang secara teratur. Ganti bila borstel arang sudah aus mencapai garis batas. Jaga agar borstel arang tetap bersih dan masuk lancar ke tempatnya. Kedua borstel arang harus diganti secara bersamaan. Gunakan hanya borstel arang yang identik. Gunakan obeng untuk melepas tutup borstel arang. Lepaskan borstel arang yang sudah aus, masukkan borstel baru, dan kencangkan tutup borstel arang. (Gb. 31)

Setelah mengganti borstel, masukkan kartrid baterai ke dalam mesin dan lakukan in-reyen borstel dengan menjalankan mesin tanpa beban selama 1 menit. Kemudian periksa mesin saat berjalan dan kerja rem listrik saat picu sakelar dilepas. Jika rem listrik tidak bekerja dengan baik, bawalah mesin ke pusat servis Makita setempat untuk diperbaiki. Untuk menjaga KEAMANAN dan KEHANDALAN, perbaikan, perawatan atau penyetelan lain harus

dilakukan oleh Pusat Servis Resmi Makita dan gunakan selalu suku cadang Makita.

AKSESORI TAMBAHAN

PERHATIAN:

- Aksesori atau alat tambahan ini dianjurkan untuk digunakan dengan alat Makita milik Anda yang disebutkan dalam buku petunjuk ini. Penggunaan aksesori atau alat tambahan lain dapat menimbulkan risiko cedera pada orang. Gunakan aksesori atau alat tambahan sesuai kegunaannya.

Jika Anda membutuhkan bantuan perihal informasi lebih terperinci mengenai aksesori-aksesori ini, tanyakan kepada Pusat Servis Makita setempat.

- Roda gergaji
- Rip fence (Penggaris pemandu)
- Rel pemandu
- Adaptor rel pemandu
- Nozel debu
- Kunci hex
- Baterai dan pengisi baterai asli Makita

CATATAN:

- Beberapa artikel dalam daftar dapat disertakan dalam kemasan mesin sebagai aksesori standar. Kelengkapan ini dapat berbeda dari satu negara ke negara lainnya.

TIẾNG VIỆT (Hướng dẫn Gốc)

Giải thích về hình vẽ tổng thể

- | | | |
|---------------------------|----------------------------|--------------------------|
| 1. Chỉ báo màu đỏ | 14. Đường cửa (vị trí 45°) | 27. Ống phun mặt cửa |
| 2. Nút | 15. Vít | 28. Máy hút bụi |
| 3. Hộp pin | 16. Bộ khởi động công tắc | 29. Ống |
| 4. Chỉ báo pin | 17. Lấy khoá | 30. Cán siết |
| 5. Chỉ báo quá nhiệt | 18. Cờ lê sáu cạnh | 31. Thanh cũ (Thuốc dẫn) |
| 6. Dấu sao | 19. Nới lỏng | 32. Điều chỉnh vít 45° |
| 7. Đèn chỉ báo | 20. Siết chặt | 33. Điều chỉnh vít 0° |
| 8. Nút kiểm tra | 21. Khoá trực | 34. Quy tắc tam giác |
| 9. Lấy | 22. Trục lắp | 35. Bệ |
| 10. Cán trước | 23. Vành trong | 36. Vạch giới hạn |
| 11. Đai ốc tai hồng sau | 24. Lưỡi cửa | 37. Tua vít |
| 12. Khoá chặn | 25. Vành ngoài | 38. Nắp giá đỡ chổi than |
| 13. Đường cửa (vị trí 0°) | 26. Bu lông sáu cạnh | |

THÔNG SỐ KỸ THUẬT

Kiểu máy		DHS710
Đường kính lưỡi cửa		185 - 190 mm
Độ sâu cắt tối đa	ở góc 0°	66 - 68,5 mm
	ở góc 45°	47,5 - 49 mm
	ở góc 50°	42,5 - 44 mm
Tốc độ không tải (min ⁻¹)		4.800
Tổng chiều dài		356 mm
Trọng lượng tịnh		3,9 - 4,6 kg
Điện áp định mức		Dòng một chiều: 36 V

- Do chương trình nghiên cứu và phát triển liên tục của chúng tôi nên các thông số kỹ thuật dưới đây có thể thay đổi mà không cần thông báo.
- Các thông số kỹ thuật và hộp pin ở mỗi quốc gia có thể khác nhau.
- Trọng lượng tịnh có thể khác nhau tùy vào (các) phụ kiện bao gồm cả hộp pin. Kết hợp trọng lượng nặng nhất và nhẹ nhất, theo Quy trình EPTA 01/2014, được hiển thị trong bảng.

Hộp pin và bộ sạc pin có thể dùng được

Hộp pin	BL1815N/BL1820/BL1820B/BL1830/BL1830B/BL1840/BL1840B/BL1850/BL1850B/BL1860B
Bộ sạc pin	DC18RC/DC18RD/DC18RE/DC18SD/DC18SE/DC18SF

- Một số hộp pin và bộ sạc pin nêu trên có thể không dùng được tùy theo khu vực cư trú của bạn.

⚠ CẢNH BÁO:

- Chỉ sử dụng hộp pin và bộ sạc pin có tên trong danh sách nêu trên.** Sử dụng hộp pin hoặc bộ sạc pin khác có thể gây thương tích và/hoặc cháy nổ.

Ký hiệu

END004-6

Phần dưới đây cho biết các ký hiệu được dùng cho thiết bị. Đảm bảo rằng bạn hiểu ý nghĩa của các ký hiệu này trước khi sử dụng.



... Đọc tài liệu hướng dẫn.

Mục đích sử dụng

ENE078-2

Dùng cụ được dùng để cửa gỗ với các đường cửa thẳng theo chiều dọc và theo đường chéo góc cũng như các đường cửa vát có góc khi vẫn gắn chặt vào phiá gia công. Với lưỡi cửa chính hãng phù hợp của Makita, cũng có thể cửa các vật liệu khác.

Cảnh báo an toàn chung dành cho dụng cụ máy

GEA013-2

⚠ CẢNH BÁO: Xin đọc tất cả các cảnh báo an toàn, hướng dẫn, minh họa và thông số kỹ thuật đi kèm với dụng cụ máy này. Việc không tuân theo các hướng dẫn được liệt kê dưới đây có thể dẫn đến điện giật, hỏa hoạn và/hoặc thương tích nghiêm trọng.

Lưu giữ tất cả cảnh báo và hướng dẫn để tham khảo sau này.

Thuật ngữ “dụng cụ máy” trong các cảnh báo đề cập đến dụng cụ máy (có dây) được vận hành bằng nguồn điện chính hoặc dụng cụ máy (không dây) được vận hành bằng pin của bạn.

An toàn tại nơi làm việc

1. **Giữ nơi làm việc sạch sẽ và có đủ ánh sáng.** Nơi làm việc bừa bộn hoặc tối thường dễ gây ra tai nạn.
2. **Không vận hành dụng cụ máy trong môi trường cháy nổ, ví dụ như môi trường có sự hiện diện của các chất lỏng, khí hoặc bụi dễ cháy.** Các dụng cụ máy tạo tia lửa điện có thể làm bụi hoặc khí bốc cháy.
3. **Giữ trẻ em và người ngoài tránh xa nơi làm việc khi đang vận hành dụng cụ máy.** Sự xao lãng có thể khiến bạn mất khả năng kiểm soát.

An toàn về Điện

1. **Phích cắm của dụng cụ máy phải khớp với ổ cắm.** Không được sửa đổi phích cắm theo bất kỳ cách nào. Không sử dụng bất kỳ phích chuyển đổi nào với các dụng cụ máy được nối đất (tiếp đất). Các phích cắm còn nguyên vẹn và ổ cắm phù hợp sẽ giảm nguy cơ điện giật.
2. **Tránh để cơ thể tiếp xúc với các bề mặt nối đất hoặc tiếp đất như đường ống, bộ tản nhiệt, bếp ga và tủ lạnh.** Nguy cơ bị điện giật sẽ tăng lên nếu cơ thể bạn được nối đất hoặc tiếp đất.
3. **Không để dụng cụ máy tiếp xúc với mưa hoặc trong điều kiện ẩm ướt.** Nước lọt vào dụng cụ máy sẽ làm tăng nguy cơ điện giật.
4. **Không lạm dụng dây điện.** Không được phép sử dụng dây để mang, kéo hoặc tháo phích cắm dụng cụ máy. Giữ dây tránh xa nguồn nhiệt, dầu, các mép sắc hoặc các bộ phận chuyển động. Dây bị hỏng hoặc bị rơi sẽ làm tăng nguy cơ điện giật.
5. **Khi vận hành dụng cụ máy ngoài trời, hãy sử dụng dây kéo dài phù hợp cho việc sử dụng ngoài trời.** Việc dùng dây phù hợp cho việc sử dụng ngoài trời sẽ giảm nguy cơ điện giật.
6. **Nếu bắt buộc phải vận hành dụng cụ máy ở nơi ẩm ướt, hãy sử dụng nguồn cấp điện được bảo vệ bằng thiết bị ngắt dòng điện rò (RCD).** Việc sử dụng RCD sẽ làm giảm nguy cơ điện giật.
7. **Các dụng cụ máy có thể tạo ra từ trường điện (EMF) có hại cho người dùng.** Tuy nhiên, người dùng máy trợ tim và những thiết bị y tế tương tự khác nên liên hệ với nhà sản xuất thiết bị và/hoặc bác sỹ để được tư vấn trước khi vận hành dụng cụ máy.

An toàn Cá nhân

1. **Luôn tỉnh táo, quan sát những việc bạn đang làm và sử dụng những phán đoán theo kinh nghiệm khi vận hành dụng cụ máy.** Không sử dụng dụng cụ máy khi bạn đang mệt mỏi hoặc chịu ảnh hưởng của ma túy, rượu hay thuốc. Chỉ một khoảnh khắc không tập trung khi đang vận hành dụng cụ máy cũng có thể dẫn đến thương tích cá nhân nghiêm trọng.
2. **Sử dụng thiết bị bảo hộ cá nhân.** Luôn đeo thiết bị bảo vệ mắt. Các thiết bị bảo hộ như mặt nạ

chống bụi, giày an toàn chống trượt, mũ bảo hộ hay thiết bị bảo vệ thính giác được sử dụng trong các điều kiện thích hợp sẽ giúp giảm thương tích cá nhân.

3. **Tránh vô tình khởi động dụng cụ máy. Đảm bảo công tắc ở vị trí off (tắt) trước khi nối nguồn điện và/hoặc bộ pin, cắm hoặc di chuyển dụng cụ máy.** Việc di chuyển dụng cụ máy khi đang đặt ngón tay ở vị trí công tắc hoặc cấp điện cho dụng cụ máy đang bật thường dễ gây ra tai nạn.
4. **Tháo tất cả các khóa hoặc cò lê điều chỉnh trước khi bật dụng cụ máy.** Việc cò lê hoặc khóa vẫn còn gắn vào bộ phận quay của dụng cụ máy có thể dẫn đến thương tích cá nhân.
5. **Không với quá cao. Luôn giữ thăng bằng tốt và có chỗ để chân phù hợp.** Điều này cho phép điều khiển dụng cụ máy tốt hơn trong những tình huống bất ngờ.
6. **Ăn mặc phù hợp. Không mặc quần áo rộng hay đeo đồ trang sức. Giữ tóc và quần áo tránh xa các bộ phận chuyển động.** Quần áo rộng, đồ trang sức hay tóc dài có thể mắc vào các bộ phận chuyển động.
7. **Nếu các thiết bị được cung cấp để kết nối các thiết bị thu gom và hút bụi, hãy đảm bảo chúng được kết nối và sử dụng hợp lý.** Việc sử dụng thiết bị thu gom bụi có thể làm giảm những mối nguy hiểm liên quan đến bụi.
8. **Không vì quen thuộc do thường xuyên sử dụng các dụng cụ mà cho phép bạn trở nên tự mãn và bỏ qua các nguyên tắc an toàn dụng cụ.** Một hành động bất cẩn có thể gây ra thương tích nghiêm trọng trong một phần của một giây.
9. **Luôn luôn mang kính bảo hộ để bảo vệ mắt khỏi bị thương khi đang sử dụng các dụng cụ máy.** Kính bảo hộ phải tuân thủ các ANSI Z87.1 ở Mỹ, EN 166 ở Châu Âu, hoặc AS/NZS 1336 ở Úc/ New Zealand. Tại Úc/New Zealand, theo luật pháp, bạn cũng phải mang mặt nạ che mặt để bảo vệ mắt. (Hình 1)

Trách nhiệm của chủ lao động là bắt buộc người vận hành dụng cụ và những người khác trong khu vực làm việc cạnh đó phải sử dụng các thiết bị bảo hộ an toàn thích hợp.

Sử dụng và bảo quản dụng cụ máy

1. **Không dùng lực đối với dụng cụ máy.** Sử dụng đúng dụng cụ máy cho công việc của bạn. Sử dụng đúng dụng cụ máy sẽ giúp thực hiện công việc tốt hơn và an toàn hơn theo giá trị định mức được thiết kế của dụng cụ máy đó.
2. **Không sử dụng dụng cụ máy nếu công tắc không bật và tắt được dụng cụ máy đó.** Mọi dụng cụ máy không thể điều khiển được bằng công tắc đều rất nguy hiểm và phải được sửa chữa.
3. **Rút phích cắm ra khỏi nguồn điện và/hoặc tháo kết nối bộ pin khỏi dụng cụ máy, nếu có thể tháo rời trước khi thực hiện bất kỳ công việc điều chỉnh, thay đổi phụ tùng hay cắt giữ dụng cụ máy nào.** Những biện pháp an toàn phòng ngừa này sẽ giảm nguy cơ vô tình khởi động dụng cụ máy.
4. **Cất giữ các dụng cụ máy không sử dụng ngoài tầm với của trẻ em và không cho bất kỳ người nào không có hiểu biết về dụng cụ máy hoặc**

các hướng dẫn này vận hành dụng cụ máy.

Dụng cụ máy sẽ rất nguy hiểm nếu được sử dụng bởi những người dùng chưa qua đào tạo.

5. **Bảo dưỡng dụng cụ máy và các phụ kiện.** Kiểm tra tình trạng lệch trục hoặc bó kẹt của các bộ phận chuyển động, hiện tượng nứt vỡ của các bộ phận và mọi tình trạng khác mà có thể ảnh hưởng đến hoạt động của dụng cụ máy. Nếu có hỏng hóc, hãy sửa chữa dụng cụ máy trước khi sử dụng. Nhiều tai nạn xảy ra là do không bảo quản tốt dụng cụ máy.
6. **Luôn giữ cho dụng cụ cắt được sắc bén và sạch sẽ.** Những dụng cụ cắt được bảo quản tốt có mép cắt sắc sẽ ít bị kẹt hơn và dễ điều khiển hơn.
7. **Sử dụng dụng cụ máy, phụ tùng và đầu dụng cụ cắt, v.v... theo các hướng dẫn này, có tính đến điều kiện làm việc và công việc được thực hiện.** Việc sử dụng dụng cụ máy cho các công việc khác với công việc dự định có thể gây nguy hiểm.
8. **Giữ tay cầm và bề mặt tay cầm khô, sạch, không dính dầu và mỡ.** Tay cầm trơn trượt và bề mặt tay cầm không cho phép xử lý an toàn và kiểm soát dụng cụ trong các tình huống bất ngờ.
9. **Khi sử dụng dụng cụ, không được đi giày tay lao động bằng vải, có thể bị vướng.** Việc giày tay lao động bằng vải vướng vào các bộ phận chuyển động có thể gây ra thương tích cá nhân.

Sử dụng và bảo quản dụng cụ dùng pin

1. **Chỉ sạc pin lại với bộ sạc do nhà sản xuất quy định.** Bộ sạc phù hợp với một loại bộ pin này có thể gây ra nguy cơ hỏa hoạn khi được dùng cho một bộ pin khác.
2. **Chỉ sử dụng các dụng cụ máy với các bộ pin được quy định cụ thể.** Việc sử dụng bất cứ bộ pin nào khác có thể gây ra thương tích và hỏa hoạn.
3. **Khi không sử dụng bộ pin, hãy giữ tránh xa các đồ vật khác bằng kim loại, chẳng hạn như kẹp giấy, tiền xu, chìa khóa, đinh, ốc vít hoặc các vật nhỏ bằng kim loại mà có thể làm nối tất các đầu cực pin.** Các đầu cực pin bị đoản mạch có thể gây cháy hoặc hỏa hoạn.
4. **Trong điều kiện sử dụng quá mức, pin có thể bị chảy nước; hãy tránh tiếp xúc.** Nếu vô tình tiếp xúc với pin bị chảy nước, hãy rửa sạch bằng nước. Nếu dung dịch từ pin tiếp xúc với mắt, cần đi khám bác sĩ thêm. Dung dịch chảy ra từ pin có thể gây rất da hoặc bỏng.
5. **Không sử dụng bộ pin hoặc dụng cụ bị hư hỏng hoặc đã bị sửa đổi.** Pin đã bị hư hỏng hoặc đã bị sửa đổi có thể hành động theo cách không thể đoán trước dẫn đến cháy, nổ hoặc nguy cơ chấn thương.
6. **Không để bộ pin hoặc dụng cụ tiếp xúc với lửa hoặc nhiệt độ quá cao.** Tiếp xúc với lửa hoặc nhiệt độ trên 130°C có thể gây ra cháy nổ.
7. **Làm theo tất cả các hướng dẫn sạc pin và không được sạc bộ pin hoặc dụng cụ vượt giới hạn nhiệt độ quy định trong hướng dẫn.** Sạc pin không đúng hoặc ở nhiệt độ vượt giới hạn nhiệt độ có thể gây hư hỏng cho pin và làm tăng nguy cơ cháy.

Bảo dưỡng

1. **Để nhân viên sửa chữa đủ trình độ bảo dưỡng dụng cụ máy của bạn và chỉ sử dụng các bộ phận thay thế đồng nhất.** Việc này sẽ đảm bảo duy trì được độ an toàn của dụng cụ máy.
2. **Không bao giờ sử dụng bộ pin đã hỏng.** Dịch vụ bảo hành bộ pin chỉ nên thực hiện bởi nhà sản xuất hoặc các nhà cung cấp dịch vụ được ủy quyền.
3. **Tuân theo hướng dẫn dành cho việc bôi trơn và thay phụ tùng.**

Cảnh báo an toàn cho máy cưa đĩa chạy pin

GEB151-1

Quy trình cắt

1. **⚠️ NGUY HIỂM: Để tay tránh xa khu vực cắt và lưỡi cắt. Để tay thứ hai của bạn lên tay cầm phụ hoặc vô động cơ.** Nếu cầm của bằng cả hai tay thì lưỡi cắt sẽ không thể cắt vào tay.
2. **Không đưa tay xuống bên dưới phôi gia công.** Phần bảo vệ không thể bảo vệ bạn khỏi lưỡi cắt ở bên dưới phôi gia công.
3. **Điều chỉnh độ sâu cắt theo độ dày của phôi gia công.** Phải thấy được một phần rãnh của phía dưới phôi gia công.
4. **Không được cầm phôi gia công trong tay hoặc để chéo qua chân bạn khi cắt. Cố định phôi gia công vào một bề vững chắc.** Điều quan trọng là phải đỡ phôi gia công đúng cách để giảm thiểu khả năng tiếp xúc với cơ thể, hiện tượng bó kẹt lưỡi cắt hoặc mất kiểm soát. (Hình 2)
5. **Chỉ cầm dụng cụ máy bằng bề mặt kẹp cách điện khi thực hiện thao tác, trong đó dụng cụ cắt có thể tiếp xúc với dây dẫn kín hoặc dây của chính nó.** Tiếp xúc với dây dẫn "có điện" có thể khiến các bộ phận kim loại bị hở của dụng cụ máy "có điện" và có thể làm cho người vận hành bị điện giật.
6. **Khi cắt dọc, luôn sử dụng thanh cữ hoặc thước dẫn hướng thẳng.** Điều này giúp cải thiện độ chính xác của đường cắt và giảm nguy cơ bó kẹt lưỡi cắt.
7. **Luôn sử dụng lưỡi cắt có kích thước và hình dạng (hình thoi và hình tròn) của lỗ tâm chính xác.** Những lưỡi cắt không khớp với phần chính lắp ráp của cưa sẽ chạy lệch tâm, gây mất kiểm soát.
8. **Không được sử dụng các vòng đệm hoặc bu-lông lưỡi cắt bị hỏng hoặc không đúng.** Bu-lông và các vòng đệm lưỡi cắt được thiết kế dành riêng cho máy cắt của bạn, để tối đa hóa hiệu năng và độ an toàn hoạt động.

Nguyên nhân bật ngược và các cảnh báo liên quan

- bật ngược trở lại là hiện tượng phản lực đột ngột khi lưỡi của bị bó, bật lên hoặc bị lệch khiến cho máy cắt bị mất kiểm soát, bật lên và rời khỏi phôi gia công, hướng về phía người vận hành;
- khi lưỡi cắt bị bó hoặc bật lên do rãnh của bị đóng lại, lưỡi cắt sẽ ngừng chạy và phản lực của động cơ sẽ khiến cho thiết bị bật nhanh ngược trở lại người vận hành;
- nếu lưỡi cắt bị xoắn hoặc bị lệch khi cắt, rãnh ở mặt sau lưỡi cắt có thể cắm sâu vào mặt trên của gỗ

hiện cho lưỡi cắt chệch ra ngoài vết cắt và bật ngược trở lại người vận hành.

Hiện tượng bật ngược lại là do sử dụng sai cưa và/ hoặc quy trình hoặc tình trạng vận hành không chính xác và có thể tránh được bằng cách thực hiện các biện pháp phòng ngừa thích hợp dưới đây.

- 1. Luôn cầm chặt cưa bằng cả hai tay và đặt cánh tay của bạn ở vị trí có thể chịu đựng được các lực bật ngược lại. Để thân của bạn ở vị trí một trong hai phía của lưỡi cắt nhưng không được thẳng hàng với lưỡi cắt.** Hiện tượng bật ngược lại có thể khiến cho bật ngược về phía sau nhưng người vận hành có thể kiểm soát được lực bật ngược lại nếu thực hiện các biện pháp phòng ngừa thích hợp.
- 2. Khi lưỡi cắt bị bó kẹt hoặc khi đường cắt bị gián đoạn vì bất kỳ lý do nào, hãy nhả bộ khởi động và giữ của đứng im trong vật liệu cho đến khi lưỡi cắt hoàn toàn dừng lại. Không được cố gỡ cưa ra khỏi sản phẩm hoặc kéo của về phía sau khi lưỡi cắt vẫn đang chuyển động nếu không có thể xảy ra hiện tượng bật ngược lại.** Kiểm tra và tiến hành khắc phục để loại bỏ nguyên nhân gây bó kẹt lưỡi cắt.
- 3. Khi khởi động lại của trong phôi gia công, đặt lưỡi của vào giữa rãnh của sao cho chắc chắn không được mắc vào vật liệu.** Nếu lưỡi của bị kẹt, nó có thể bật lên hoặc bật ngược lại khỏi phôi gia công khi của được khởi động lại.
- 4. Đỡ tấm ván lớn để giảm thiểu nguy cơ bó lưỡi cắt và bật ngược lại.** Tấm ván lớn thường có xu hướng võng xuống do trọng lượng của nó. Phải đặt các giá đỡ dưới tấm ván ở cả hai phía, gần đường cắt và gần cạnh của tấm ván. **(Hình 3 & 4)**
- 5. Không sử dụng lưỡi cắt bị cùn hoặc bị hư hỏng.** Lưỡi cắt không được mài sắc hoặc được điều chỉnh không đúng cách sẽ tạo ra vết cắt hẹp, gần như sát quá lớn, bó kẹt lưỡi cắt cũng như hiện tượng bật ngược lại.
- 6. Phải vận chặt và cố định các lẫy khóa điều chỉnh góc và độ sâu lưỡi cắt trước khi cắt.** Nếu điều chỉnh lưỡi cắt thay đổi khi đang cắt thì có thể gây ra bó kẹt và bật ngược lại.
- 7. Đặc biệt cẩn trọng khi cưa vào các tường có sẵn hoặc các vùng khó nhìn khác.** Lưỡi cắt nhỏ ra có thể cắt phải các vật có khả năng gây nên hiện tượng bật lại.
- 8. LUÔN cầm chắc dụng cụ bằng cả hai tay. KHÔNG đặt tay, chân hoặc bất kỳ bộ phận nào của cơ thể bạn ở bên dưới đế dụng cụ hoặc phía sau của, đặc biệt là khi cắt ngang.** Nếu xảy ra hiện tượng bật ngược lại, của có thể dễ dàng bật lại phía sau qua tay của bạn, dẫn đến thương tích cá nhân nghiêm trọng. **(Hình 5)**
- 9. Không được ấn mạnh của. Đẩy của về phía trước ở tốc độ sao cho lưỡi cắt cắt không bị chậm.** Ấn mạnh của có thể khiến cho đường cắt gồ ghề, mất độ chính xác và có thể xảy ra hiện tượng bật ngược lại.

Chức năng của phần bảo vệ

- 1. Kiểm tra phần bảo vệ dưới xem đã đóng đúng chưa trước mỗi lần sử dụng.** Không vận hành máy của nếu phần bảo vệ dưới không di chuyển tự do và đóng ngay tức khắc. Không kẹp hoặc

bộ phận bảo vệ dưới ở vị trí mở. Nếu vô tình đánh rơi của thì phần bảo vệ dưới có thể bị cong. Nâng phần bảo vệ dưới có tay cầm co rút được lên và đảm bảo phần bảo vệ di chuyển tự do và không chạm vào lưỡi của hay bất kỳ bộ phận nào khác, ở tất cả các góc và chiều sâu cắt.

- 2. Kiểm tra hoạt động của lò xo phần bảo vệ dưới. Nếu phần bảo vệ và lò xo không hoạt động đúng, chúng phải được bảo trì trước khi sử dụng.** Phần bảo vệ dưới có thể hoạt động chậm do các bộ phận bị hư hỏng, cặn bám dính hoặc các mảnh vụn tích tụ.
- 3. Phần bảo vệ dưới chỉ có thể tự chỉnh co rút bằng tay đối với các vết cắt đặc biệt như “cắt chìm” và “cắt hỗn hợp”.** Nâng phần bảo vệ dưới bằng tay cầm co rút được và ngay khi lưỡi của đi vào vật liệu, phần bảo vệ dưới phải được nhả ra. Đối với tất cả thao tác của khác, phần bảo vệ dưới nên vận hành tự động.
- 4. Luôn chú ý xem phần bảo vệ dưới đã che lưỡi cắt hay chưa trước khi đặt của lên ghế hoặc sàn nhà.** Lưỡi cắt không được bảo vệ, theo đà quán tính sẽ khiến của chuyển động ngược về phía sau, cắt bất kể thứ gì trên đường đi của nó. Chú ý thời gian cần thiết để lưỡi cắt dừng sau khi nhả công tắc.
- 5. Để kiểm tra phần bảo vệ dưới, dùng tay mở phần bảo vệ dưới ra, sau đó thả ra và theo dõi phần bảo vệ đóng lại. Đồng thời kiểm tra để thấy rằng tay cầm co rút được không chạm vào vỏ dụng cụ.** Để lưỡi cắt hở là RẤT NGUY HIỂM và có thể dẫn đến thương tích cá nhân nghiêm trọng.

Cảnh báo an toàn bổ sung

- 1. Đặc biệt cẩn trọng khi cắt gỗ ẩm, gỗ ép hoặc gỗ có mấu.** Duy trì bước tiến của dụng cụ nhẹ nhàng mà không làm giảm tốc độ lưỡi cắt để tránh làm quá nhiệt các đầu lưỡi cắt.
- 2. Không cố gỡ vật liệu bị cắt khi lưỡi cắt đang chuyển động.** Chờ cho tới khi lưỡi cắt dừng lại trước khi nắm lấy vật liệu bị cắt. Lưỡi cắt chạy theo đà quán tính sau khi tắt.
- 3. Tránh cắt đinh.** Kiểm tra và tháo toàn bộ đinh khỏi gỗ trước khi cắt.
- 4. Đặt phôi rộng hơn của bệ của lên phần phôi gia công được đỡ chắc chắn, không đặt lên phần sẽ rơi xuống sau khi thực hiện cắt.** Nếu phôi gia công ngắn hoặc nhỏ, hãy kẹp chặt nó xuống. **KHÔNG CỐ GIỮ CÁC MẤU GỖ NGĂN BẰNG TAY!** (Hình 6)
- 5. Trước khi đặt dụng cụ xuống sau khi cắt xong, hãy đảm bảo rằng phần bảo vệ dưới đã đóng và lưỡi cắt đã dừng hẳn.**
- 6. Không được cố của bằng máy của đĩa được kẹp lộn ngược trong dụng cụ kẹp.** Điều này cực kỳ nguy hiểm và có thể dẫn tới những tai nạn nghiêm trọng. (Hình 7)
- 7. Một số vật liệu có thể chứa hóa chất độc hại. Phải cẩn trọng tránh hít phải bụi và để tiếp xúc với da.** Tuân theo dữ liệu an toàn của nhà cung cấp vật liệu.
- 8. Không dùng lưỡi cắt bằng áp lực bên lên lưỡi của.**
- 9. Không sử dụng bất kỳ đĩa mài nào.**

- Chỉ sử dụng lưỡi cưa có đường kính được đánh dấu trên dụng cụ hoặc được chỉ định trong hướng dẫn.** Sử dụng lưỡi cưa có kích thước không đúng có thể ảnh hưởng đến phần bảo vệ thích hợp của lưỡi cưa hoặc hoạt động của phần bảo vệ, có thể dẫn đến thương tích nghiêm trọng.
- Giữ lưỡi cắt sắc và sạch.** Chất dính và nhựa gỗ bám chặt trên lưỡi cắt làm chậm cưa và tăng khả năng xảy ra hiện tượng bật ngược lại. Giữ lưỡi cắt sạch bằng cách trước tiên tháo lưỡi cắt ra khỏi dụng cụ sau đó lau sạch lưỡi cắt bằng chất tẩy chất dính và nhựa, nước nóng hoặc dầu hòa. Không được sử dụng xăng.
- Đeo mặt nạ chống bụi và thiết bị bảo vệ thính giác khi sử dụng dụng cụ.**
- Luôn sử dụng lưỡi cưa được thiết kế để cắt các vật liệu mà bạn sẽ cắt.**
- Chỉ sử dụng lưỡi cưa có ghi tốc độ bằng hoặc cao hơn tốc độ ghi trên dụng cụ.**
- (Chỉ đối với các quốc gia Châu Âu)**
Luôn sử dụng lưỡi cưa tuân thủ theo EN847-1.

LƯU GIỮ CÁC HƯỚNG DẪN NÀY.

⚠ CẢNH BÁO: KHÔNG vì đã thoải mái hay quen thuộc với sản phẩm (có được do sử dụng nhiều lần) mà không tuân thủ nghiêm ngặt các quy định về an toàn dành cho sản phẩm này. **VIỆC DÙNG SAI** hoặc không tuân theo các quy định về an toàn được nêu trong tài liệu hướng dẫn này có thể dẫn đến thương tích cá nhân nghiêm trọng.

HƯỚNG DẪN AN TOÀN QUAN TRỌNG CHO HỘP PIN

ENC007-12

- Trước khi sử dụng hộp pin, hãy đọc tất cả hướng dẫn và ký hiệu cảnh báo trên (1) bộ sạc pin, (2) pin và (3) sản phẩm dùng pin.
- Không tháo rời hộp pin.
- Nếu thời gian vận hành ngắn hơn quá mức, hãy ngừng vận hành ngay lập tức. Điều này có thể dẫn đến rủi ro quá nhiệt, có thể gây bỏng và thậm chí là nổ.
- Nếu chất điện phân rơi vào mắt, hãy rửa sạch bằng nước sạch và đến cơ sở y tế ngay lập tức. Chất này có thể khiến bạn giảm thị lực.
- Không để hộp pin ở tình trạng đoản mạch:
 - Không chạm vào cực pin bằng vật liệu dẫn điện.
 - Tránh cất giữ hộp pin trong hộp có các vật kim loại khác như đinh, tiền xu, v.v...
 - Không để hộp pin dính nước hoặc ngoài trời mưa.
 Đoản mạch pin có thể gây ra dòng điện lớn, quá nhiệt, có thể gây bỏng và thậm chí là hỏng hóc.
- Không cất giữ dụng cụ và hộp pin ở nơi nhiệt độ có thể lên tới hoặc vượt quá 50°C (122°F).
- Không đốt hộp pin ngay cả khi hộp pin đã bị hư hại nặng hoặc hư hỏng hoàn toàn. Hộp pin có thể nổ khi tiếp xúc với lửa.
- Hãy cẩn trọng không làm rơi hoặc làm méo pin.
- Không sử dụng pin đã hỏng.
- Pin lithium-ion chứa bên trong tuân theo các yêu cầu của Luật về hàng hóa nguy hiểm.

Đối với việc vận chuyển thương mại, ví dụ như bên thứ ba, đại lý giao nhận, phải tuân theo yêu cầu đặc biệt về đóng gói và gắn nhãn.

Khi chuẩn bị giao hàng, cần phải tham vấn chuyên gia về vật liệu nguy hiểm. Ngoài ra, cũng tuân theo các quy định quốc gia có thể chi tiết hơn.

Buộc hoặc phủ các tiếp điểm hở và đóng gói pin sao cho pin không thể di chuyển quanh hộp.

- Thực hiện theo các quy định địa phương bạn về việc thải bỏ pin.**
- Chỉ sử dụng pin với các sản phẩm do Makita chỉ định.** Lắp pin cho các sản phẩm không tương thích có thể gây ra cháy, nóng quá mức, nổ, hoặc rò rỉ chất điện phân.

LƯU GIỮ CÁC HƯỚNG DẪN NÀY.

⚠ THẬN TRỌNG: Chỉ sử dụng pin chính hãng của Makita.

Việc sử dụng pin không phải chính hãng Makita hoặc pin đã bị biến đổi có thể khiến pin nổ gây ra hỏa hoạn, thương tích cá nhân và hư hại. Các pin này cũng sẽ không được nhận bảo hành của Makita dành cho dụng cụ và bộ sạc của Makita.

Mẹo duy trì tuổi thọ tối đa cho pin

- Sạc pin trước khi hết pin.**
Luôn ngừng vận hành dụng cụ và sạc pin khi bạn thấy dụng cụ bị yếu pin.
- Không bao giờ sạc lại pin khi hộp pin đã được sạc đầy.**
Sạc quá mức sẽ làm giảm tuổi thọ của pin.
- Sạc pin ở nhiệt độ phòng 10°C - 40°C (50°F - 104°F).** Để cho hộp pin nóng nguội trước khi sạc.
- Sạc hộp pin nếu bạn không sử dụng hộp pin đó trong khoảng thời gian dài (hơn 6 tháng).**

MÔ TẢ CHỨC NĂNG

⚠ THẬN TRỌNG:

- Luôn đảm bảo rằng dụng cụ đã được tắt và hộp pin đã được tháo trước khi điều chỉnh hoặc kiểm tra chức năng trên dụng cụ.

Lắp hoặc tháo hộp pin (Hình 8)

⚠ THẬN TRỌNG:

- Luôn tắt công tắc dụng cụ trước khi lắp hoặc tháo hộp pin.
- Cắm chắc dụng cụ và hộp pin khi lắp hoặc tháo hộp pin.** Không cầm chắc dụng cụ và hộp pin có thể khiến chúng bị trượt khỏi tay bạn, dẫn đến hư hỏng dụng cụ và hộp pin cũng như gây thương tích cá nhân.

Để tháo hộp pin, trượt hộp pin ra khỏi dụng cụ đồng thời đẩy nhẹ nút ở phía trước hộp pin.

Để lắp hộp pin, đặt thẳng hàng chốt nhô ra của hộp pin với rãnh ở vỏ và đẩy hộp pin vào vị trí. Đưa toàn bộ pin vào cho đến khi hộp pin khớp vào vị trí với một tiếng cách nhỏ. Nếu bạn có thể thấy chỉ báo màu đỏ ở mặt trên của nút thì hộp pin chưa hoàn toàn khớp vào vị trí.

⚠ THẬN TRỌNG:

- Luôn lắp hộp pin vào hoàn toàn cho đến khi không thể thấy được chỉ báo màu đỏ. Nếu không, pin có thể bất ngờ văng ra khỏi dụng cụ, gây thương tích cho bạn hoặc người xung quanh.
- Không dùng sức mạnh để lắp hộp pin. Nếu hộp pin không trượt vào dễ dàng thì có nghĩa là pin đang được lắp không đúng cách.

CHÚ Ý:

- Dụng cụ chỉ không hoạt động với một hộp pin.
- Khi không tháo được hộp pin dễ dàng, đẩy hộp pin từ phía đối diện của nút và trượt hộp pin.

Hệ thống bảo vệ dụng cụ/pin

Dụng cụ này được trang bị hệ thống bảo vệ dụng cụ/pin. Hệ thống này sẽ tự động ngắt nguồn cho mô tơ để tăng tuổi thọ dụng cụ và pin.

Dụng cụ sẽ tự động ngừng hoạt động nếu dụng cụ hoặc pin ở một trong các điều kiện sau. Ở một số điều kiện, chỉ báo sẽ sáng. **(Hình 9)**

Bảo vệ chống quá tải

Khi dụng cụ được vận hành theo cách tạo ra dòng điện cao bất thường, dụng cụ sẽ tự động ngừng hoạt động mà không cần thông báo. Trong tình huống này, hãy tắt dụng cụ và ngừng hoạt động khiến dụng cụ bị quá tải. Sau đó bật dụng cụ để khởi động lại.

Bảo vệ dụng cụ khỏi quá nhiệt

Khi dụng cụ bị quá nhiệt, dụng cụ sẽ tự động ngừng hoạt động và chỉ báo quá nhiệt sáng khoảng 60 giây. Trong tình huống này, hãy để dụng cụ nguội trước khi bật lại dụng cụ.

Bảo vệ pin khỏi quá nhiệt

Khi pin bị quá nhiệt, dụng cụ sẽ tự động ngừng hoạt động mà không cần thông báo. Dụng cụ không khởi động ngay cả khi kéo bộ khởi động công tắc. Trong tình huống này, hãy để pin nguội trước khi bật lại dụng cụ.

CHÚ Ý:

Chức năng bảo vệ quá nhiệt cho pin chỉ hoạt động với hộp pin có dấu sao. **(Hình 10)**


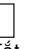








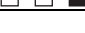
Bảo vệ xả quá mức

Khi lượng pin còn lại thấp, chỉ báo pin nhấp nháy ở phía pin được áp dụng. Nếu tiếp tục sử dụng, dụng cụ sẽ ngừng hoạt động và chỉ báo pin sáng khoảng 10 giây. Trong tình huống này, hãy nạp điện cho hộp pin.

Cho biết lượng pin còn lại

Chỉ dành cho các hộp pin có chỉ báo (Hình 11)

Nhấn nút kiểm tra trên hộp pin để biểu thị lượng pin còn lại. Đèn chỉ báo sáng trong vài giây.

Đèn chỉ báo			Lượng pin còn lại
 Bật sáng	 Tắt	 Nhấp nháy	
			75% đến 100%
			50% đến 75%
			25% đến 50%
			0% đến 25%
			Sạc pin.
			Pin có thể bị hỏng.
			

CHÚ Ý:

- Tùy vào điều kiện sử dụng và nhiệt độ môi trường xung quanh, lượng pin được chỉ báo có thể hơi khác so với lượng pin thực tế.

Điều chỉnh độ sâu cắt (Hình 12)

⚠ THẬN TRỌNG:

- Sau khi điều chỉnh độ sâu cắt, luôn vận chặt lấy. Nơi lỏng lẻo trên thanh dẫn độ sâu và di chuyển bề lên hoặc xuống. Ở độ sâu cắt mong muốn, cố định bề bằng cách vận chặt lấy.

Để đường của bên thẳng và an toàn hơn, điều chỉnh độ sâu cắt sao cho không quá một rãnh của nhô ra bên dưới phiá gia công. Sử dụng độ sâu cắt chính xác giúp giảm khả năng xảy ra các HIỆN TƯỢNG BẮT NGƯỢC LẠI nguy hiểm có thể gây thương tích cá nhân.

Cửa vát (Hình 13 & 14)

Nới lỏng cần trước và đai ốc tai hông sau. Đặt góc mong muốn (0° - 50°) bằng cách nghiêng bề tương ứng, sau đó vận chặt cần đai ốc có tai. **(Hình 15)** Sử dụng khoá chặn 45° khi bạn thực hiện cắt chính xác góc 45°. Xoay khoá chặn theo chiều kim đồng hồ hết cỡ để cửa vát (0° - 45°) và xoay ngược chiều kim đồng hồ để cửa vát 0° - 50°.

Ngắm (Hình 16)

Đề cửa thẳng, giống vị trí 0° ở phía trước bề thẳng hàng với đường cửa. Để cửa vát 45°, giống vị trí 45° thẳng hàng với đường cửa. Vị trí của dẫn hướng trên cùng có thể điều chỉnh được.

Hoạt động của công tắc (Hình 17)

⚠ THẬN TRỌNG:

- Trước khi lắp hộp pin vào dụng cụ, luôn kiểm tra xem bộ khởi động công tắc có khởi động đúng và trở về vị trí "TẮT" khi được nhả ra hay không.

- Không kéo bộ khởi động công tắc mạnh mà không ấn vào lẫy khoá. Điều này có thể gây hỏng công tắc.

Lấy khoá được trang bị để ngăn bộ khởi động công tắc bị kéo vô tình. Để khởi động dụng cụ, ấn lẫy khoá và kéo bộ khởi động công tắc. Nhả bộ khởi động công tắc để dừng.

⚠ CẢNH BÁO:

- Để an toàn cho bạn, dụng cụ này được trang bị lẫy khoá giúp ngăn dụng cụ bị khởi động vô tình. **KHÔNG BAO GIỜ** sử dụng dụng cụ này nếu dụng cụ chạy khi bạn chỉ kéo bộ khởi động công tắc mà không ấn lẫy khoá. Trả lại dụng cụ đến trung tâm dịch vụ MAKITA để được sửa chữa đúng cách **TRƯỚC KHI** tiếp tục sử dụng.
- **KHÔNG BAO GIỜ** buộc hay làm sai mục đích và chức năng của lẫy khoá.

QUÁ TRÌNH LẮP RÁP

⚠ THẬN TRỌNG:

- Luôn chắc chắn rằng dụng cụ đã được tắt nguồn và hộp pin đã được tháo ra trước khi thực hiện bất kỳ công việc nào trên dụng cụ.

Tháo hoặc lắp lưỡi cưa

⚠ THẬN TRỌNG:

- Đảm bảo lắp lưỡi cưa có rãnh của hướng lên trên ở phía trước của dụng cụ.
- Chỉ sử dụng cờ lê Makita để lắp hoặc tháo lưỡi cưa. (Hình 18)

Để tháo lưỡi cưa, ấn khoá trục sao cho lưỡi cưa không thể quay và sử dụng cờ lê để nới lỏng bu lông sáu cạnh ngược chiều kim đồng hồ. Sau đó tháo bu lông sáu cạnh, vành ngoài và lưỡi cưa.

Đối với dụng cụ có vành trong dành cho lưỡi cưa có đường kính lớn 15,88 mm (Hình 19)

Lắp vành trong có mặt lõm hướng ra ngoài vào trục lắp, sau đó lắp lưỡi cưa, vành ngoài và bu lông sáu cạnh.

ĐẢM BẢO VẠN CHẶT BU LÔNG SÁU CẠNH THEO CHIỀU KIM ĐỒNG HỒ.

Đối với dụng cụ có vành trong dành cho lưỡi cưa khác lưỡi cưa có đường kính lớn 15,88 mm (Hình 20)

Vành trong có một phần nhô ra có đường kính cố định trên một mặt và phần nhô ra có đường kính khác trên mặt còn lại. Chọn đúng mặt có phần nhô ra vừa khít với lỗ trên lưỡi cưa.

Sau đó, lắp vành trong vào trục lắp sao cho mặt đúng của phần nhô ra trên các mặt của vành trong hướng ra ngoài, sau đó lắp lưỡi cưa và vành ngoài.

ĐẢM BẢO VẠN CHẶT BU LÔNG SÁU CẠNH THEO CHIỀU KIM ĐỒNG HỒ.

⚠ THẬN TRỌNG:

- **Đảm bảo rằng phần nhô ra “a” trên vành trong có vị trí ở ngoài vừa khít với lỗ trên lưỡi cưa “a”.** Lắp lưỡi cưa sai mặt có thể dẫn đến chuyển động nguy hiểm. (Hình 21)

Khi thay lưỡi cưa, cũng hãy nhớ lau sạch mùn của tích tụ ở phần bảo vệ trên và dưới lưỡi cưa. Tuy nhiên, làm như vậy cũng không thay thế được việc cần phải kiểm

tra hoạt động của phần bảo vệ dưới trước mỗi lần sử dụng.

Cắt giữ cờ lê sáu cạnh (Hình 22)

Khi không sử dụng, cắt giữ cờ lê sáu cạnh như được minh họa trong hình để tránh làm mất.

Kết nối với máy hút bụi

Phụ kiện tùy chọn (Hình 23 & 24)

Khi bạn muốn thực hiện thao tác của một cách sạch sẽ, hãy nối máy hút bụi Makita với dụng cụ của bạn. Lắp ống phun mát của trên dụng cụ bằng vít. Sau đó, nối ống của máy hút bụi với ống phun mát của như được minh họa trong hình.

VẬN HÀNH

⚠ THẬN TRỌNG:

- Đảm bảo di chuyển dụng cụ nhẹ nhàng về phía trước theo một đường thẳng. Ấn mạnh hoặc làm xoắn dụng cụ sẽ dẫn đến động cơ quá nhiệt và hiện tượng bật ngược lại nguy hiểm, có thể gây thương tích nghiêm trọng.
- Luôn sử dụng tay nắm trước và tay cầm sau và cầm dụng cụ chắc chắn bằng cả tay nắm trước và tay cầm sau trong khi vận hành. (Hình 25)

Cắm chắc dụng cụ. Dụng cụ được cung cấp cùng với cả tay nắm trước và tay cầm sau. Sử dụng cả hai để nắm chặt dụng cụ. Nếu cầm cưa bằng cả hai tay thì lưỡi cưa sẽ không thể cắt vào tay. Đặt bệ lên phi gia công chuẩn bị cưa mà không để lưỡi cưa có bất kỳ tiếp xúc nào. Sau đó bật dụng cụ và chờ cho tới khi lưỡi cưa đạt đến tốc độ tối đa. Giữ chỉ cần di chuyển dụng cụ về phía trước qua bề mặt phi gia công, giữ dụng cụ ngang bằng và chuyển động nhẹ nhàng về phía trước cho tới khi cưa xong.

Để có đường cắt bên thẳng, giữ cho đường cắt thẳng và tốc độ chuyển động tiến không thay đổi. Nếu đường cắt không theo đúng đường cắt mà bạn đã định, dừng cố đổi hướng hoặc bắt dụng cụ trở lại đường cắt đó. Làm như vậy có thể bó kẹt lưỡi cưa và dẫn tới hiện tượng bật ngược lại nguy hiểm và có thể xảy ra thương tích nghiêm trọng. Nhả công tắc, chờ cho lưỡi cưa dừng, sau đó rút dụng cụ ra. Đặt thẳng lại dụng cụ trên đường cắt mới và bắt đầu cắt lại. Cố tránh đứng ở vị trí mà các mẩu gỗ nhỏ và mặt cưa từ cưa có thể bắn vào người vận hành. Sử dụng thiết bị bảo vệ mặt để tránh thương tích.

Thanh cũ (Thuốc dẫn) (Hình 26)

Thanh cũ để sử dụng cho phép bạn thực hiện những đường của thẳng chính xác hơn. Chỉ cần trượt thanh cũ một cách thoải mái áp với cạnh của phi gia công và cố định nó bằng cần siết ở phía trước bệ. Ngoài ra, thanh cũ có thể giúp tạo ra các đường cưa lặp lại với độ rộng đồng đều.

BẢO DƯỠNG

⚠ THẬN TRỌNG:

- Luôn đảm bảo tắt dụng cụ và rút phích cắm trước khi cố gắng thực hiện kiểm tra hoặc bảo dưỡng.

- Không bao giờ dùng xăng, ét xăng, dung môi, cồn hoặc hóa chất tương tự. Có thể xảy ra hiện tượng mất màu, biến dạng hoặc nứt vỡ.

Điều chỉnh độ chính xác của đường cửa 0° và 45° (cửa dọc và cửa 45°) (Hình 27 & 28)

Việc điều chỉnh này đã được thực hiện tại nhà máy. Nhưng nếu bị tắt, hãy điều chỉnh vít điều chỉnh bằng cờ lê sáu cạnh trong khi kiểm tra góc 0° hoặc 45° mà lưỡi cửa tạo với bề bằng quy tắc tam giác hoặc quy tắc hình vuông, v.v.

Điều chỉnh trạng thái song song (Hình 29)

Trạng thái song song giữa lưỡi cửa và bề đã được điều chỉnh tại nhà máy. Nhưng nếu bị tắt, bạn có thể điều chỉnh theo quy trình sau.

Đảm bảo tất cả các cần và vít được vặn chặt. Nới lỏng các vít một chút như minh họa. Trong khi mở phần bảo vệ dưới, di chuyển phía sau của bề sao cho khoảng cách A và B bằng nhau. Sau khi điều chỉnh, vặn chặt vít. Cửa thử để có trạng thái song song chính xác.

Thay chổi than (Hình 30)

Tháo và kiểm tra chổi than thường xuyên. Thay chổi than khi chúng bị mòn dưới vạch giới hạn. Giữ chổi than sạch và tự do trượt vào các giá đỡ. Cả hai chổi than nên được thay cùng một lúc. Chỉ sử dụng các chổi than giống nhau.

Sử dụng tua vít để tháo nắp giá đỡ chổi than. Tháo chổi than đã mòn ra, lắp chổi than mới và cố định nắp giá đỡ chổi than. **(Hình 31)**

Sau khi thay chổi, lắp hộp pin vào dụng cụ và làm chổi vừa vặn bằng cách chạy dụng cụ không tải trong khoảng 1 phút. Sau đó kiểm tra dụng cụ trong khi chạy và vận hành của phan điện khi nhả bộ khởi động công tắc. Nếu phan điện không hoạt động tốt, hãy yêu cầu trung tâm bảo trì Makita tại địa phương bạn sửa chữa.

Để duy trì ĐỘ AN TOÀN và ĐỘ TIN CẬY của sản phẩm, việc sửa chữa, bảo dưỡng hoặc bất kỳ điều chỉnh nào khác đều phải do Trung tâm Bảo trì Được ủy quyền của Makita thực hiện, luôn sử dụng các bộ phận thay thế của Makita.

PHỤ KIỆN TỰ CHỌN

THẬN TRỌNG:

- Các phụ tùng hoặc phụ kiện này được khuyến nghị sử dụng với dụng cụ Makita của bạn được chỉ định trong tài liệu này. Việc sử dụng bất kỳ phụ tùng hoặc phụ kiện nào khác có thể dẫn đến rủi ro thương tích cho con người. Chỉ sử dụng phụ tùng hoặc phụ kiện với mục đích được nêu.

Nếu bạn cần bất kỳ sự hỗ trợ nào để biết thêm chi tiết về các phụ tùng này, hãy hỏi Trung tâm Bảo trì Makita tại địa phương của bạn.

- Lưỡi cửa
- Thanh cũ (Thuộc dẫn)
- Thanh dẫn
- Bộ chuyển thanh dẫn
- Ống phun mặt cửa
- Cờ lê sáu cạnh

- Pin và bộ sạc chính hãng Makita

CHÚ Ý:

- Một số mục trong danh sách có thể được bao gồm trong gói dụng cụ làm các phụ kiện chuẩn. Các mục này ở mỗi quốc gia có thể khác nhau.

คำอธิบายเกี่ยวกับมุมมองทั่วไป

- | | | |
|-------------------------------|-----------------------------|---------------------------|
| 1. ส่วนสีแดง | 14. แนวการตัด (ตำแหน่ง 45°) | 27. หัวฉีดกำจัดฝุ่น |
| 2. ปุ่ม | 15. สกรู | 28. เครื่องดูดฝุ่น |
| 3. ตลับแบตเตอรี่ | 16. ไกสวิตช์ | 29. สาย |
| 4. ไฟสัญญาณแสดงสถานะแบตเตอรี่ | 17. คันลิคคอปฟ | 30. แกนยึด |
| 5. ไฟแสดงความร้อนสูงเกิน | 18. ประแจหกเหลี่ยม | 31. แผ่นนำตัด (ไม้บรรทัด) |
| 6. เครื่องหมายรูปดาว | 19. คลายออก | 32. สกรูปรับแต่งขนาด 45° |
| 7. ไฟแสดงสถานะ | 20. ชั้นให้แน่น | 33. สกรูปรับแต่งขนาด 0° |
| 8. ปุ่มตรวจสอบ | 21. ตัวล็อคเพลลา | 34. ไม้จากรูปสามเหลี่ยม |
| 9. คันโยก | 22. เพลายึด | 35. สฐาน |
| 10. คันโยกด้านหน้า | 23. หน้าแปลนด้านใน | 36. เครื่องหมายขีดจำกัด |
| 11. น็อตหางปลาด้านหลัง | 24. โบเลื่อย | 37. ไขควง |
| 12. ตัวหยุด | 25. หน้าแปลนด้านนอก | 38. ฝาปิดของใส่แปรง |
| 13. แนวการตัด (ตำแหน่ง 0°) | 26. โบลต์หกเหลี่ยม | |

ข้อมูลทางเทคนิค

รุ่น	DHS710	
เส้นผ่าศูนย์กลางของใบเลื่อย	185 - 190 มม.	
ความลึกสูงสุดในการตัด	ที่ 0°	66 - 68.5 มม.
	ที่ 45°	47.5 - 49 มม.
	ที่ 50°	42.5 - 44 มม.
ความเร็วขณะหมุนเปล่า (นาที ⁻¹)	4,800	
ความยาวทั้งหมด	356 มม.	
น้ำหนักสุทธิ	3.9 - 4.6 กก.	
อัตราแรงดันไฟฟ้า	กระแสตรง 36 โวลต์	

- เนื่องจากการวิจัยและการพัฒนาของเราเป็นแผนงานต่อเนื่อง ดังนั้นข้อมูลเทคนิคที่ระบุในเอกสารนี้อาจมีการเปลี่ยนแปลงโดยไม่ต้องแจ้งให้ทราบล่วงหน้า
- ข้อมูลเทคนิคและตลับแบตเตอรี่อาจแตกต่างกันในแต่ละประเทศ
- น้ำหนักอาจจะแตกต่างกันไปตามอุปกรณ์ที่ติดตั้งไว้ รวมถึงตลับแบตเตอรี่ ชุดประกอบที่เบาที่สุดและหนักที่สุดตามกระบวนการ EPTA 01/2014 จะแสดงไว้ในตาราง

ตลับแบตเตอรี่และแท่นชาร์จที่สามารถใช้งานได้

ตลับแบตเตอรี่	BL1815N/BL1820/BL1820B/BL1830/BL1830B/BL1840/BL1840B/BL1850/BL1850B/BL1860B
แท่นชาร์จ	DC18RC/DC18RD/DC18RE/DC18SD/DC18SE/DC18SF

- ตลับแบตเตอรี่และแท่นชาร์จบางรายการที่ระบุไว้ทางด้านบนอาจไม่มีจำหน่ายในภูมิภาคของคุณ

⚠ คำเตือน:

- ใช้แต่ตลับแบตเตอรี่และแท่นชาร์จที่ระบุไว้ทางด้านบนเท่านั้น การใช้ตลับแบตเตอรี่และแท่นชาร์จอื่นอาจทำให้ได้รับบาดเจ็บและ/หรือเกิดไฟไหม้ได้

สัญลักษณ์

END004-6

ต่อไปนี้เป็นสัญลักษณ์ที่ใช้สำหรับอุปกรณ์ โปรดศึกษาความหมายของสัญลักษณ์ให้เข้าใจก่อนการใช้งาน



... อ่านคู่มือการใช้งาน

วัตถุประสงค์การใช้งาน

ENE078-2

เครื่องมือนี้ใช้สำหรับการตัดแนวตรงตามแนวยาวและแนวขวาง และการตัดแบบมีองศาในไม้ ขณะสัมผัสกับชิ้นงานอย่างแนบสนิท ถ้าใช้ใบเลื่อยของแท้ที่เหมาะสมจาก Makita จะสามารถตัดวัสดุอื่นๆ ได้อีกด้วย

คำเตือนด้านความปลอดภัยของเครื่องมือไฟฟ้าทั่วไป

GEA013-2

! คำเตือน: โปรดอ่านคำเตือนด้านความปลอดภัย คำแนะนำ

ภาพประกอบ และข้อมูลจำเพาะต่างๆ ที่เหมือนกับเครื่องมือไฟฟ้านี้อาจละเอียด การไม่ปฏิบัติตามคำแนะนำดังต่อไปนี้ อาจส่งผลให้เกิดไฟฟ้าช็อต ไฟไหม้ และ/หรือได้รับบาดเจ็บอย่างร้ายแรงได้

เก็บรักษาคำเตือนและคำแนะนำทั้งหมดไว้เป็นข้อมูลอ้างอิงในอนาคต

คำว่า "เครื่องมือไฟฟ้า" ในคำเตือนนี้หมายถึงเครื่องมือไฟฟ้า (มีสาย) ที่ทำงานโดยใช้กระแสไฟฟ้าหรือเครื่องมือไฟฟ้า (ไร้สาย) ที่ทำงานโดยใช้แบตเตอรี่

ความปลอดภัยของพื้นที่ทำงาน

1. ดูแลพื้นที่ทำงานให้มีความสะอาดและมีแสงไฟสว่าง พื้นที่รกกระะเกะหรือมืดที่บ่งชี้บ่งอาจนำไปสู่การเกิดอุบัติเหตุได้
2. อย่าใช้งานเครื่องมือไฟฟ้าในสภาพที่อาจเกิดการกระเด็น เช่น ในสถานที่ที่มีของเหลว ก๊าซ หรือฝุ่นผงที่มีคุณสมบัติไวไฟ เครื่องมือไฟฟ้าอาจสร้างประกายไฟและจุดชนวนฝุ่นผงหรือก๊าซดังกล่าว
3. ดูแลไม่ให้มีเด็ก ๆ หรือบุคคลอื่นอยู่ในบริเวณที่กำลังใช้เครื่องมือไฟฟ้า การมีสิ่งรบกวนสมาธิอาจทำให้คุณสูญเสียการควบคุม

ความปลอดภัยด้านไฟฟ้า

1. ปลั๊กของเครื่องมือไฟฟ้าต้องพอดีกับเต้ารับ อย่าดัดแปลงปลั๊กไม่ว่ากรณีใด ๆ อย่าใช้ปลั๊กแอดปเตอร์กับเครื่องมือไฟฟ้าที่ต่อสายดิน ปลั๊กที่ไม่ถูกดัดแปลงและเต้ารับที่เข้ากันพอดีจะช่วยลดความเสี่ยงของการเกิดไฟฟ้าช็อต
2. ระวังอย่าให้ร่างกายสัมผัสกับพื้นผิวที่ต่อสายดิน เช่น ท่อเครื่องนำความร้อน เตาหุงต้ม และตู้เย็น มีความเสี่ยงที่จะเกิดไฟฟ้าช็อตสูงขึ้น หากร่างกายของคุณสัมผัสกับพื้น

3. อย่าให้เครื่องมือไฟฟ้าถูกน้ำหรืออยู่ในสภาพเปียกชื้น น้ำที่ไหลเข้าไปในเครื่องมือไฟฟ้าจะเพิ่มความเสี่ยงของการเกิดไฟฟ้าช็อต
4. อย่าใช้สายไฟอย่างไม่เหมาะสม อย่าใช้สายไฟที่ย่อย ดึงหรือถอดปลั๊กเครื่องมือไฟฟ้า เก็บสายไฟให้ห่างจากความร้อน น้ำมัน ของมีคม หรือชิ้นส่วนที่เคลื่อนที่ สายที่ชำรุดหรือพันกันจะเพิ่มความเสี่ยงของการเกิดไฟฟ้าช็อต
5. ขณะที่ใช้งานเครื่องมือไฟฟ้านอกอาคาร ควรใช้สายต่อพ่วงที่เหมาะสมกับงานภายนอกอาคาร การใช้สายที่เหมาะสมกับงานภายนอกอาคารจะลดความเสี่ยงของการเกิดไฟฟ้าช็อต
6. หากต้องใช้งานเครื่องมือไฟฟ้าในสถานที่เปียกชื้น ให้ใช้อุปกรณ์ป้องกันกระแสไฟรั่ว (RCD) การใช้ RCD จะลดความเสี่ยงของการเกิดไฟฟ้าช็อต
7. เครื่องมือไฟฟ้าอาจสร้างสนามแม่เหล็ก (EMF) ที่ไม่เป็นอันตรายต่อผู้ใช้ อย่างไรก็ตาม ผู้ใช้ที่ใส่เครื่องกระตุ้นหัวใจและอุปกรณ์ทางการแพทย์ที่คล้ายกันนี้ควรติดต่อผู้ผลิตอุปกรณ์และ/หรือแพทย์เพื่อรับคำแนะนำก่อนใช้งานเครื่องมือไฟฟ้านี้

ความปลอดภัยส่วนบุคคล

1. ให้ระมัดระวังและมีความระมัดระวังขณะใช้งานเครื่องมือไฟฟ้า ใช้งานเครื่องมือไฟฟ้าในขณะที่คุณกำลังเหนื่อย หรือในสภาพที่มีเมฆมาจากยาเสพติด เครื่องดื่ม แอลกอฮอล์ หรือการ ใซยา ช่วงเวลาที่ขาดความระมัดระวังเมื่อกำลังใช้งานเครื่องมือไฟฟ้าอาจทำให้ได้รับบาดเจ็บร้ายแรง
2. ใช้อุปกรณ์ป้องกันส่วนบุคคล สวมแว่นตาป้องกันเสมอ อุปกรณ์ป้องกัน เช่น หน้ากากกันฝุ่น รองเท้านิรภัยกันลื่น หมวกนิรภัย หรือเครื่องป้องกันการได้ยินที่ใช้ในสภาพที่เหมาะสมจะช่วยลดการบาดเจ็บ
3. ป้องกันไม่ให้เกิดการเปิดใช้งานโดยไม่ตั้งใจ ตรวจสอบให้แน่ใจว่าสวิตช์ปิดอยู่ก่อนที่จะเชื่อมต่อกับแหล่งจ่ายไฟ และ/หรือชุดแบตเตอรี่ รวมทั้งตรวจสอบก่อนการยกหรือเคลื่อนย้ายเครื่องมือ การสอดนิ้วมือบริเวณสวิตช์เพื่อถือเครื่องมือไฟฟ้า หรือการซาร่งไฟเครื่องมือไฟฟ้าในขณะที่เปิดสวิตช์อยู่อาจนำไปสู่การเกิดอุบัติเหตุ
4. นำกุญแจปรับตั้งหรือประแจออกก่อนที่จะเปิดเครื่องมือไฟฟ้า ประแจหรือกุญแจที่เสียบค้างอยู่ในชิ้นส่วนที่หมุนได้ของเครื่องมือไฟฟ้าอาจทำให้ได้รับบาดเจ็บ
5. อย่าทำงานในระยะเวลาที่สั้นที่สุดเอื้อม จัดทำการยืนและการทรงตัวให้เหมาะสมตลอดเวลา เพราะจะทำให้ควบคุมเครื่องมือไฟฟ้าได้ดีขึ้นในสถานการณ์ที่ไม่คาดคิด
6. แต่งกายให้เหมาะสม อย่าสวมเครื่องแต่งกายที่หลวมเกินไป หรือสวมเครื่องประดับ ดูแลไม่ให้เส้นผมและเสื้อผ้าอยู่ใกล้ชิ้นส่วนที่เคลื่อนที่ เสื้อผ้า ร่ม ร่ม เครื่องประดับ หรือผมที่มีความยาวอาจเข้าไปติดในชิ้นส่วนที่เคลื่อนที่

- หากมีการจัดอุปกรณ์สำหรับดูดและจัดเก็บฝุ่นไว้ในสถานที่ ให้ตรวจสอบว่าได้เชื่อมต่อและใช้งานอุปกรณ์นั้นอย่างเหมาะสม การใช้เครื่องดูดและจัดเก็บฝุ่นจะช่วยลดอันตรายที่เกิดจากฝุ่นผงได้
- อย่าให้ความดันเคຍจากการใช้งานเครื่องมือเป็นประจำ ทำให้คุณทำตัวตวมสบายและละเลยหลักการเพื่อความปลอดภัยในการใช้เครื่องมือ การกระทำที่ไม่ระมัดระวังอาจทำให้เกิดการบาดเจ็บร้ายแรงภายในเสี้ยววินาที
- สวมใส่แว่นครอบตานิรภัยเพื่อปกป้องดวงตาของคุณจากการบาดเจ็บเมื่อใช้เครื่องมือไฟฟ้า แว่นครอบตาจะต้องได้มาตรฐาน ANSI Z87.1 ในสหรัฐฯ, EN 166 ในยุโรป หรือ AS/NZS 1336 ในออสเตรเลีย/นิวซีแลนด์ ในออสเตรเลีย/นิวซีแลนด์ จะต้องสวมเกราะป้องกันใบหน้าเพื่อปกป้องใบหน้าของคุณอย่างถูกต้องตามกฎหมาย (ภาพที่ 1) ด้วยผู้ว่าจ้างมีหน้าที่รับผิดชอบในการบังคับผู้ใช้งานเครื่องมือและบุคคลอื่นๆ ที่อยู่ในบริเวณที่ปฏิบัติงานให้ใช้อุปกรณ์ป้องกันที่เหมาะสม

การใช้และดูแลเครื่องมือไฟฟ้า

- อย่าฝืนใช้เครื่องมือไฟฟ้า ใช้เครื่องมือไฟฟ้าที่เหมาะสมกับการใช้งานของคุณ เครื่องมือไฟฟ้าที่เหมาะสมจะทำให้ได้งานที่มีประสิทธิภาพและปลอดภัยกว่าตามขีดความสามารถของเครื่องที่ได้รับการออกแบบมา
- อย่าใช้เครื่องมือไฟฟ้า หากสวิตช์ไม่สามารถเปิดปิดได้ เครื่องมือไฟฟ้าที่ควบคุมด้วยสวิตช์ไม่ได้เป็นสิ่งอันตรายและต้องได้รับการซ่อมแซม
- ถอดปลั๊กจากแหล่งจ่ายไฟ และ/หรือชุดแบตเตอรี่ออกจากเครื่องมือไฟฟ้าก่อนทำการปรับตั้ง เปลี่ยนอุปกรณ์เสริม หรือจัดเก็บเครื่องมือไฟฟ้า วิธีการป้องกันด้านความปลอดภัยดังกล่าวจะช่วยลดความเสี่ยงในการเปิดใช้งานเครื่องมือไฟฟ้าโดยไม่ตั้งใจ
- จัดเก็บเครื่องมือไฟฟ้าที่ไม่ได้ใช้งานให้ห่างจากมือเด็ก และอย่าอนุญาตให้บุคคลที่ไม่คุ้นเคยกับเครื่องมือไฟฟ้าหรือคำแนะนำเหล่านี้ใช้งานเครื่องมือไฟฟ้า เครื่องมือไฟฟ้าจะเป็นอันตรายเมื่ออยู่ในมือของผู้ที่ไม่ได้รับการฝึกอบรม
- บำรุงรักษาเครื่องมือไฟฟ้าและอุปกรณ์เสริม ตรวจสอบการประกอบที่ไม่ถูกต้องหรือการเชื่อมต่อของชิ้นส่วนที่เคลื่อนที่ การแตกหักของชิ้นส่วน หรือสภาพอื่นๆ ที่อาจส่งผลกระทบต่อการทำงานของเครื่องมือไฟฟ้า หากมีความเสียหาย ให้นำเครื่องมือไฟฟ้าไปซ่อมแซมก่อนการใช้งาน อุบัติเหตุจำนวนมากเกิดจากการดูแลรักษาเครื่องมือไฟฟ้าอย่างไม่ถูกต้อง
- ทำความสะอาดเครื่องมือตัดและลับให้คมอยู่เสมอ เครื่องมือการตัดที่มีการดูแลอย่างถูกต้องและมีขอบการตัดคมมักจะมีความปลอดภัยน้อยกว่า

- ใช้เครื่องมือไฟฟ้า อุปกรณ์เสริม และวัสดุสิ้นเปลือง ฯลฯ ตามคำแนะนำดังกล่าว พิจารณาสภาพการทำงานและงานที่จะลงมือทำ การใช้เครื่องมือไฟฟ้าเพื่อทำงานอื่นนอกเหนือจากที่กำหนดให้อาจทำให้เกิดอันตราย
- ดูแลมือจับและบริเวณมือจับให้แห้ง สะอาด และไม่มีน้ำมันและจาระบีเปื้อน มือจับและบริเวณมือจับที่ลื่นจะทำให้ไม่สามารถจับและควบคุมเครื่องมือได้อย่างปลอดภัยในสถานการณ์ที่ไม่คาดคิด
- ขณะใช้งานเครื่องมือ อย่าสวมใส่ถุงมือผ้าที่อาจเข้าไปติดในเครื่องมือได้ หากถุงมือผ้าเข้าไปติดในชิ้นส่วนที่กำลังเคลื่อนที่ที่อยู่อาจทำให้ได้รับบาดเจ็บ

การใช้งานและดูแลเครื่องมือที่ใช้แบตเตอรี่

- ชาร์จไฟใหม่ด้วยเครื่องชาร์จที่ระบุโดยผู้ผลิตเท่านั้น เครื่องชาร์จที่เหมาะสมสำหรับชุดแบตเตอรี่ประเภทหนึ่งอาจเสี่ยงที่จะเกิดไฟไหม้หากนำไปใช้กับชุดแบตเตอรี่ประเภทหนึ่ง
- ใช้เครื่องมือไฟฟ้ากับชุดแบตเตอรี่ที่กำหนดมาโดยเฉพาะเท่านั้น การใช้ชุดแบตเตอรี่ประเภทอื่นอาจทำให้เสี่ยงที่จะได้รับบาดเจ็บและเกิดไฟไหม้
- เมื่อไม่ใช้งานชุดแบตเตอรี่ ให้เก็บห่างจากวัตถุที่เป็นโลหะอื่นๆ เช่น คลิปหนีบกระดาษ เหรียญ ญอญแจ กรรไกรตัดเล็บ สกรู หรือวัตถุที่เป็นโลหะขนาดเล็กอื่นๆ ที่สามารถเชื่อมต่อกับขั้วหนึ่งกับอีกขั้วหนึ่งได้ การลัดวงจรขั้วแบตเตอรี่อาจทำให้อุ่นจัดหรือเกิดไฟไหม้
- ในกรณีที่ใช้งานไม่ถูกต้อง อาจมีของเหลวไหลออกจากแบตเตอรี่ ให้หลีกเลี่ยงการสัมผัส หากสัมผัสโดนของเหลวโดยไม่ตั้งใจ ให้ล้างออกด้วยน้ำ หากของเหลวกระเด็นเข้าตา ให้รีบไปพบแพทย์ ของเหลวที่ไหลออกจากแบตเตอรี่อาจทำให้อ่อนหรือระคายเคืองหรือไหม้
- ห้ามใช้ชุดแบตเตอรี่หรือเครื่องมือที่ชำรุดหรือมีการแก้ไข แบตเตอรี่ที่เสียหายหรือมีการแก้ไขอาจทำให้เกิดสิ่งที่ไม่ถึงได้ เช่น ไฟไหม้ ระเบิด หรือเสี่ยงต่อการบาดเจ็บ
- ห้ามให้ชุดแบตเตอรี่อยู่ใกล้ไฟ หรือบริเวณที่มีอุณหภูมิสูงเกิน หากโดนไฟ หรืออุณหภูมิสูงเกิน 130 °C อาจก่อให้เกิดการระเบิดได้
- กรุณาปฏิบัติตามคำแนะนำสำหรับการชาร์จไฟ และห้ามชาร์จแบตเตอรี่หรือเครื่องมือในบริเวณที่มีอุณหภูมิ นอกเหนือไปจากที่ระบุในคำแนะนำ การชาร์จไฟที่ไม่เหมาะสม หรืออุณหภูมิ นอกเหนือไปจากช่วงอุณหภูมิที่ระบุในคำแนะนำอาจทำให้แบตเตอรี่เสียหายและเป็นการเพิ่มความเสี่ยงในการเกิดไฟไหม้

การซ่อมบำรุง


- นำเครื่องมือไฟฟ้าเข้ารับบริการจากช่างซ่อมที่ผ่านการรับรองโดยใช้ชื่อแบรนด์แบบเดียวกันเท่านั้น เพราะจะทำให้การใช้เครื่องมือไฟฟ้ามีความปลอดภัย

- ห้ามใช้ชุดแบตเตอรี่ที่เสียหาย ชุดแบตเตอรี่ที่ใช้ควรเป็นชุดที่มาจากผู้ผลิต หรือผู้ให้บริการที่ได้รับอนุญาตเท่านั้น
- ปฏิบัติตามคำแนะนำในการหล่อนั้นและการเปลี่ยนอุปกรณ์เสริม

คำเตือนด้านความปลอดภัยของ เลื่อยวงกลมไร้สาย

GEB151-1

ขั้นตอนการตัด

-  **อันตราย:** ระวังอย่าให้มือสัมผัสกับพื้นที่การตัดและใบเลื่อย วางมืออีกข้างของคุณไว้บนมือจับเสริมหรือตัวมอเตอร์ ถ้าคุณจับเลื่อยไว้ทั้งสองมือ มือของคุณจะไม่ถูกใบเลื่อยบาด
- อย่าเอื้อมไปได้ซึ่งงาน อุปกรณ์ป้องกันไม่สามารถป้องกันคุณจากใบเลื่อยได้ซึ่งงานได้
- ปรับความลึกในการตัดให้เข้ากับความหนาของชิ้นงาน คุณควรมองเห็นฟันของใบเลื่อยได้ซึ่งงานแบบไม่เต็มซี่
- ห้ามถือชิ้นงานด้วยมือหรือวางพาดขาขณะตัด ยึดชิ้นงานไว้กับแท่นที่มั่นคง การยึดชิ้นงานอย่างถูกต้องจะลดความเสี่ยงที่อวัยวะของร่างกายจะได้รับอันตรายจากเครื่องมือ ใบเลื่อยติดในชิ้นงาน หรือการสูญเสียการควบคุม (ภาพที่ 2)
- ถือเครื่องมือไฟฟ้าโดยจับส่วนที่มีฉนวนหุ้ม ขณะปฏิบัติงาน เครื่องมือตัดอาจไปสัมผัสกับสายไฟที่ซ่อนอยู่ หรือสายไฟของเครื่องมือเอง การสัมผัสกับสายไฟที่ "มีกระแสไฟฟ้าไหลผ่าน" จะทำให้ส่วนที่เป็นโลหะของเครื่องมือไฟฟ้าที่ไม่มีฉนวนหุ้ม "มีกระแสไฟฟ้าไหลผ่าน" และทำให้ผู้ปฏิบัติงานถูกไฟฟ้าช็อตได้
- ขณะที่ทำการตัด ให้ใช้การ์ดตัดหรือตัวนำขอบตรงเสมอ นี้จะช่วยเพิ่มความแม่นยำในการตัดและลดโอกาสที่ใบเลื่อยจะติดขัดได้
- ใช้ใบเลื่อยที่มีขนาดและรูปทรง (ทรงข้าวหลามตัดหรือทรงกลม) ของรูปเวลาที่ถูกต้องเสมอ ใบเลื่อยที่ไม่เข้าคู่กับสาร์ตแวร์ของเลื่อยนี้จะหลุดออกจากศูนย์กลาง เป็นเหตุให้สูญเสียการควบคุมได้
- ห้ามใช้แหวนหรือสลักเกลียวใบเลื่อยที่เสียหายหรือไม่ถูกต้อง แหวนและสลักเกลียวใบเลื่อยได้รับการออกแบบมาเป็นพิเศษสำหรับเลื่อยของคุณเพื่อให้เกิดประสิทธิภาพสูงสุดและความปลอดภัยในการทำงาน

สาเหตุของการติดกลับและคำเตือนที่เกี่ยวข้อง

- การติดกลับ คือปฏิกิริยาสะท้อนกลับฉับพลันเนื่องจากใบเลื่อยถูกบีบแน่นจนเกินไป ใบเลื่อยติด หรือไม่ได้ถูกจัดให้อยู่ในตำแหน่งที่ถูกต้อง เป็นเหตุให้เลื่อยที่สูญเสียการควบคุมตั้งขึ้น และหลุดจากชิ้นงานติดกลับมายังตัวผู้ปฏิบัติงาน

- เมื่อใบเลื่อยถูกบีบ หรือติดแน่นกับร่องตัด ใบเลื่อยจะหยุดกลางคัน และปฏิกิริยาของมอเตอร์จะส่งให้เครื่องติดกลับมายังผู้ปฏิบัติงานอย่างรวดเร็ว
- ถ้าใบเลื่อยบิดงอหรือประกอบไม่ถูกต้องอาจอยู่ในรอยตัดแล้ว ฟันเลื่อยตรงส่วนหลังของใบเลื่อยอาจกินเข้าไปในพื้นที่ว่างด้านบนสุดของไม้ ทำให้ใบเลื่อยหลุดออกจากร่องตัดและเด็นกลับเข้าหาผู้ปฏิบัติงานได้

การติดกลับเป็นผลมาจากการใช้เลื่อยผิดจุดประสงค์และ/หรือการใช้ผิดวิธี และสามารถป้องกันได้ด้วยวิธีการป้องกันดังต่อไปนี้

- จับเลื่อยให้มั่นโดยใช้ทั้งสองมือและวางตำแหน่งแขนของคุณเพื่อให้สามารถทนแรงติดกลับได้ วางตำแหน่งร่างกายของคุณไว้ด้านใดด้านหนึ่งของใบเลื่อย แต่อย่าอยู่ในแนวเดียวกับกับใบเลื่อย การติดกลับอาจทำให้เลื่อยเด็นกลับ แต่แรงติดกลับนี้สามารถควบคุมได้โดยผู้ปฏิบัติงาน หากมีการระมัดระวังไว้ล่วงหน้าอย่างเหมาะสม
- เมื่อใบเลื่อยติดขัด หรือเมื่อต้องหยุดการตัดด้วยเหตุใดก็ตาม ให้ปล่อยสวิตช์สั่งงานและถือเลื่อยค้างไว้ในวัสดุเฉย ๆ จนกว่าใบเลื่อยจะหยุดสนิท ห้ามพยายามถอดเลื่อยออกจากชิ้นงานหรือดึงเลื่อยถอยหลังขณะที่ใบเลื่อยยังเคลื่อนไหว มิฉะนั้นอาจเกิดการติดกลับได้ ตรวจสอบและแก้ไขเพื่อกำจัดสาเหตุที่ทำให้ใบเลื่อยติดขัด
- เมื่อเริ่มเดินเครื่องในชิ้นงานอีกครั้ง ใหวางใบเลื่อยตรงกลางร่องตัด เพื่อไม่ให้ฟันเลื่อยติดกับวัสดุ หากใบเลื่อยติด อาจส่งผลให้เครื่องตั้งขึ้นหรือติดกลับจากชิ้นงานในขณะที่เริ่มเดินเครื่องใหม่
- รองรับแผ่นที่มีขนาดใหญ่เพื่อลดความเสี่ยงที่ใบเลื่อยจะถูกบีบและติดกลับ แผ่นที่มีขนาดใหญ่มีแนวโน้มที่จะแอ่นลงเนื่องจากน้ำหนักของแผ่นเอง ควรวางที่รองรับไว้ใต้แผ่นทั้งสองด้านให้ใกล้กับเส้นรอยตัดและใกล้ขอบของแผ่น (ภาพที่ 3 & 4)
- อย่าใช้ใบเลื่อยที่ทื่อหรือเสียหาย ใบเลื่อยที่ไม่คมหรือติดตั้งไม่เหมาะสมจะทำให้ร่องตัดแคบ ทำให้เกิดการเสียดสีมากเกินไป ใบเลื่อยอาจติดขัด หรือติดกลับได้
- ก้านถือปรับความลึกของใบเลื่อยและมุมเอียงจะต้องแน่นและมั่นคงก่อนทำการตัด ถ้าตัวปรับใบเลื่อยเคลื่อนที่ระหว่างการตัด อาจทำให้เกิดการติดขัดและติดกลับ
- ใช้ความระมัดระวังเป็นพิเศษขณะทำการเลื่อยกำแพงที่มีอยู่แล้วหรือพื้นที่มุมอับอื่น ๆ ใบเลื่อยที่ยื่นออกไปอาจตัดโดนสิ่งต่างๆ ที่ทำให้เกิดการติดกลับ
- จับเครื่องมือให้แน่นด้วยมือทั้งสองข้างเสมอ ห้ามวางมือขา หรือส่วนใดของร่างกายไว้ใต้ฐานเครื่องมือหรือด้านหลังเลื่อย โดยเฉพาะในขณะที่ทำการตัดเป็นรูปกากบาท หากเกิดการติดกลับ ใบเลื่อยจะสามารถเด็นกลับเข้าหามือของคุณทำให้ได้รับบาดเจ็บรุนแรง (ภาพที่ 5)

- ห้ามใช้แรงกดบนเสื้อย ดันเสื้อยไปข้างหน้าด้วยความเร็วที่ไปเสื้อยจะตัดได้โดยไม่หมุนซ้ำลง การใช้แรงกดบนเสื้อยอาจทำให้รอยตัดไม่เท่ากัน สูญเสียความแม่นยำ และอาจเกิดการติดกลับ

การทำงานของอุปกรณ์ป้องกัน

- ตรวจสอบให้ที่ป้องกันด้านล่างปิดอยู่ในตำแหน่งที่เหมาะสมก่อนการใช้งานทุกครั้ง อย่าใช้งานเสื้อยหากที่ป้องกันด้านล่างไม่สามารถเคลื่อนที่ได้อย่างอิสระและปิดในทันที อย่าหนีบหรือผูกที่ป้องกันด้านล่างไว้ในตำแหน่งเปิดค้างไว้ ถ้าทำเสื้อยตกอย่างไม่ได้ตั้งใจที่ป้องกันด้านล่างอาจองได้ ยกที่ป้องกันด้านล่างขึ้นด้วยมือจับรั้งและตรวจสอบว่าอุปกรณ์เคลื่อนที่ได้อย่างอิสระและไม่สัมผัสกับไปเสื้อยหรือส่วนอื่นใดในทุกมุมและทุกระดับความลึกในการตัด
- ตรวจสอบการทำงานของสปริงที่ป้องกันด้านล่าง ถ้าอุปกรณ์ป้องกันและสปริงทำงานไม่ถูกต้อง ก็ควรต้องซ่อมแซมก่อนใช้งาน ที่ป้องกันด้านล่างอาจทำงานอย่างผิดพลาดเนื่องจากมีชิ้นส่วนที่เสียหาย เช่นชำรุดหรือฝุ่นผงที่สะสม
- คุณอาจพบเก็บที่ป้องกันด้านล่างด้วยตนเองสำหรับการตัดแบบพิเศษเช่น "จ้วงตัด" และ "ตัดแบบผสม" ยกที่ป้องกันด้านล่างด้วยมือจับรั้ง และเมื่อไปเสื้อยตัดเข้าเนื้อวัสดุ ให้ปล่อยที่ป้องกันด้านล่าง สำหรับการเคลื่อนที่อื่น ๆ ที่ป้องกันด้านล่างควรทำงานโดยอัตโนมัติ
- สังเกตเสมอว่าที่ป้องกันด้านล่างครอบไปเสื้อยอยู่ก่อนที่จะวางเสื้อยลงบนที่นั่งหรือพื้น ไปเสื้อยที่ยังหมุนอยู่และไม่มีการป้องกันจะทำให้เสื้อยขยับถอยหลังและตัดทุกสิ่งที่อยู่ในรัศมี คุณต้องตระหนักถึงระยะเวลาที่ไปเสื้อยจะหยุดหลังจากปล่อยสวิตช์แล้ว
- เมื่อต้องการตรวจสอบที่ป้องกันด้านล่าง ให้เปิดที่ป้องกันด้านล่างด้วยมือ จากนั้นให้ปล่อยและดูการปิดของที่ป้องกัน และตรวจสอบว่ามีมือจับรั้งไม่สัมผัสกับกรอบเครื่องมือ การเปิดไปเสื้อยเปลี่ยนเป็นอันตรายอย่างมากและอาจทำให้เกิดการบาดเจ็บร้ายแรง

คำเตือนด้านความปลอดภัยเพิ่มเติม

- ใช้ความระมัดระวังเป็นพิเศษในการตัดไม้ที่เปียกชื้น ไม้ที่ผ่านการใช้แรงอัด หรือไม้ที่มีเนื้อติดอยู่ คอยๆ ดันเครื่องมือไปอย่างรวดเร็วโดยไม่ลดความเร็วของไปเสื้อยเพื่อไม่ให้ปลายไปเสื้อยร้อนเกินไป
- อย่าพยายามถอดวัสดุติดดอกขณะที่ไปเสื้อยยังเคลื่อนไหวอยู่ รอจนกว่าไปเสื้อยจะหยุดแล้วจึงค่อยจับวัสดุตัด ไปเสื้อยยังหมุนหลังจากปิดเครื่องแล้ว
- หลีกเลี่ยงการตัดตะปู ตรวจสอบและถอดตะปูทั้งหมดออกจากไม้ก่อนทำการตัด
- วางส่วนฐานเสื้อยด้านที่กว้างกว่าไว้บนส่วนของชิ้นงานที่มีการรองรับอย่างมั่นคงแล้ว ไม่วางบนส่วนที่จะตกลงไปเมื่อทำการตัดเสร็จ ถ้าชิ้นงานสั้นหรือมีขนาดเล็กให้หนีบไว้ อย่าพยายามจับชิ้นส่วนสั้น ๆ ด้วยมือ! (ภาพที่ 6)

- ก่อนวางเครื่องมือลงหลังจากทำการตัดเสร็จแล้ว ให้ตรวจสอบว่าที่ป้องกันปิดแล้วและไปเสื้อยหยุดสนิท
- อย่าพยายามเสื้อยโดยใช้ที่จับหรือสิ่งอื่น ๆ จับเสื้อยวงกลมหงายขึ้น การกระทำนี้อันตรายเป็นอย่างมากและอาจนำไปสู่อุบัติเหตุร้ายแรงได้ (ภาพที่ 7)
- วัสดุบางอย่างอาจมีสารเคมีที่เป็นพิษ ระวังอย่าสูดดมฝุ่นหรือสัมผัสกับผิวหนัง ปฏิบัติตามข้อมูลด้านความปลอดภัยของผู้ผลิตวัสดุ
- อย่าหยุดไปเสื้อยด้วยการกดด้านข้างของไปเสื้อย
- อย่าใช้ล้อยัดใด ๆ
- ใช้ไปเสื้อยที่มีเส้นผ่านศูนย์กลางตามที่ทำเครื่องหมายไว้บนเครื่องมือหรือระบุไว้ในคู่มือเท่านั้น การใช้ไปเสื้อยที่มีขนาดไม่ถูกต้องอาจส่งผลกระทบต่อการทำงานของไปเสื้อยอย่างเหมาะสมหรือการทำงานของอุปกรณ์ป้องกันซึ่งอาจส่งผลให้เกิดการบาดเจ็บร้ายแรง
- ทำความสะอาดไปเสื้อยและลับให้คมอยู่เสมอ อย่างไม่เหนียวและยางที่แข็งตัวอยู่บนไปเสื้อยจะทำให้เสื้อยหมุนซ้ำลงและเพิ่มโอกาสในการติดกลับ รักษาความสะอาดของไปเสื้อยโดยเริ่มจากถอดไปเสื้อยออกจากเครื่องมือ แล้วทำความสะอาดด้วยน้ำยาทำความสะอาดที่ไม่เหนียว หรือน้ำมันก๊าด ห้ามใช้น้ำมันเชื้อเพลิงเด็ดขาด
- สวมหน้ากากกันฝุ่นและเครื่องป้องกันการได้ยินขณะใช้งานเครื่องมือ
- ใช้ไปเสื้อยที่เหมาะสมกับวัสดุที่ต้องการจะตัดเสมอ
- ใช้ไปเสื้อยที่มีความเร็วที่กำหนดบนไปเสื้อยเท่ากับหรือมากกว่าความเร็วที่กำหนดบนเครื่องมือเท่านั้น
- (สำหรับประเทศในทวีปยุโรปเท่านั้น) ใช้ไปเสื้อยที่สอดคล้องตามมาตรฐาน EN847-1 เสมอ

ปฏิบัติตามคำแนะนำเหล่านี้

- ⚠ คำเตือน: อย่าให้ความไม่ระมัดระวังหรือความคุ้นเคยกับผลิตภัณฑ์ (จากการใช้งานซ้ำหลายครั้ง) อยู่เหนือการปฏิบัติตามกฎเกณฑ์ด้านความปลอดภัยในการใช้งานผลิตภัณฑ์อย่างเคร่งครัด การใช้งานอย่างไม่เหมาะสมหรือการไม่ปฏิบัติตามกฎเกณฑ์ด้านความปลอดภัยในคู่มือการใช้งานนี้อาจทำให้ได้รับบาดเจ็บร้ายแรง

คำแนะนำด้านความปลอดภัยที่สำคัญ สำหรับตลับแบตเตอรี่

ENC007-12

ร่วมกันได้อาจทำให้เกิดไฟไหม้, ความร้อนสูงเกิน, ระเบิด หรือของเหลวในแบตเตอรี่รั่วไหลได้

เก็บรักษาคำแนะนำเหล่านี้ไว้

⚠️ ข้อควรระวัง: ใช้แต่แบตเตอรี่ของแท้ของ Makita เท่านั้น การไม่ใช่แบตเตอรี่ของแท้ของ Makita หรือใช้แบตเตอรี่ที่ผ่านการดัดแปลง อาจทำให้แบตเตอรี่ระเบิด เป็นสาเหตุให้เกิดไฟไหม้, ได้รับบาดเจ็บ และเกิดความเสียหายได้ อีกทั้งยังทำให้การรับประกันเครื่องมือและแท่นชาร์จของ Makita เป็นโมฆะด้วย

เคล็ดลับในการดูแลรักษาแบตเตอรี่ให้มีอายุการใช้งานสูงสุด

1. ชาร์จตลับแบตเตอรี่ก่อนที่จะคายประจุออกจนหมด ให้หยุดการทำงานของเครื่องและชาร์จตลับแบตเตอรี่ก่อนเสมอเมื่อคุณสังเกตเห็นว่าพลังงานของเครื่องมีน้อยลง
2. อย่าชาร์จตลับแบตเตอรี่ที่มีพลังงานเต็มแล้ว การชาร์จตลับแบตเตอรี่มากเกินไปจะทำอายุการใช้งานของแบตเตอรี่สั้นลง
3. ชาร์จตลับแบตเตอรี่ในอุณหภูมิห้องระหว่าง 10°C - 40°C (50°F - 104°F) ปล่อยให้ตลับแบตเตอรี่ที่มีความร้อนเย็นลงก่อนที่จะชาร์จ
4. ชาร์จตลับแบตเตอรี่ถ้าท่านไม่ได้ใช้เป็นเวลานาน (มากกว่า 6 เดือน)

คำอธิบายการใช้งาน

⚠️ ข้อควรระวัง:

- ตรวจสอบว่าปิดสวิตช์เครื่องและถอดตลับแบตเตอรี่ออกก่อนทำการปรับเปลี่ยนหรือตรวจสอบการทำงานของเครื่อง

การประกอบหรือการถอดตลับแบตเตอรี่ (ภาพที่ 8)

⚠️ ข้อควรระวัง:

- ปิดสวิตช์เครื่องทุกครั้งก่อนใส่หรือถอดตลับแบตเตอรี่
- ถือเครื่องมือและตลับแบตเตอรี่ให้แน่นในขณะที่ประกอบหรือถอดตลับแบตเตอรี่ การไม่ถือเครื่องมือและตลับแบตเตอรี่ให้แน่นอาจทำให้อุปกรณ์ดังกล่าวลื่นหลุดจากมือของคุณ ซึ่งจะ令เครื่องมือและตลับแบตเตอรี่ชำรุดเสียหาย และเกิดการบาดเจ็บได้

ในการถอดตลับแบตเตอรี่ ให้ถอดตลับแบตเตอรี่ออกจากเครื่องโดยการเลื่อนปุ่มที่ด้านหน้าของตลับแบตเตอรี่

ในการใส่ตลับแบตเตอรี่ ให้จัดแนวลิ้นของตลับแบตเตอรี่ให้ตรงกับร่องในฝาครอบเครื่องและเลื่อนให้เข้าที่ ใส่แบตเตอรี่เข้าไปจนสุด

1. ก่อนใช้งานตลับแบตเตอรี่ โปรดอ่านคำแนะนำและข้อควรระวังทั้งหมดที่ระบุอยู่ใน (1) แท่นชาร์จแบตเตอรี่ (2) แบตเตอรี่ และ (3) ผลิตภัณฑ์ที่ใช้แบตเตอรี่
2. อย่าใช้ตลับแบตเตอรี่ที่ถูกแยกชิ้นส่วน
3. หากอายุการใช้งานสั้นเกินไป ให้หยุดการทำงานทันที เพราะอาจทำให้แบตเตอรี่มีความร้อนมากเกินไป อาจเป็นอันตรายจากการลวกผิวหนัง จนถึงเกิดการระเบิดขึ้นได้
4. หากอิเล็กทรอนิกส์เข้าสู่ดวงตา ให้ล้างน้ำออก แล้วไปพบแพทย์ทันที เพราะอาจทำให้ดวงตาของคุณสูญเสียการมองเห็นได้
5. อย่าลัดวงจรตลับแบตเตอรี่:
 - (1) อย่าสัมผัสขั้วแบตเตอรี่ที่มีวัสดุนำไฟฟ้า
 - (2) อย่าจัดเก็บตลับแบตเตอรี่ในภาชนะที่มีวัสดุโลหะอื่นๆ เช่น ตะปู เหรียญ ฯลฯ
 - (3) อย่าให้ตลับแบตเตอรี่ถูกน้ำหรือฝนแบตเตอรี่ที่ลัดวงจรสามารถให้เกิดการไหลเวียนไฟฟ้าในปริมาณมาก มีความร้อนสูงเกินไป มีอันตรายจากการลวกผิวหนัง จนกระทั่งถึงการชำรุดเสียหายได้
6. อย่าจัดเก็บเครื่องมือและตลับแบตเตอรี่ในสถานที่ที่มีอุณหภูมิสูงกว่า 50°C (122°F)
7. อย่านำตลับแบตเตอรี่ไปเผา แม้ว่าตัวแบตเตอรี่จะเสียหายมาก หรือเสื่อมสภาพอย่างสิ้นเชิง เพราะตลับแบตเตอรี่อาจระเบิดในกองไฟ
8. ระเบิดหรืออาจทำให้แบตเตอรี่รั่วหรือได้รับการกระทบ
9. อย่านำใช้งานอุปกรณ์เสริมที่ชำรุดเสียหาย
10. แบตเตอรี่ที่มีลิเทียมไอออนอยู่ในข้อบังคับว่าด้วยสินค้าอันตรายตามกฎหมายสำหรับการขนย้ายเชิงพาณิชย์ เช่น โดยบริษัทภายนอก ตัวแทนจัดส่งสินค้า จะต้องปฏิบัติตามข้อบังคับพิเศษบนบรรจุภัณฑ์ และฉลากด้วย สำหรับการจัดเตรียมสินค้าที่จะจัดส่ง ต้องปรึกษาผู้เชี่ยวชาญด้านวัสดุอันตรายด้วย นอกจากนี้ ให้ปฏิบัติตามข้อบังคับอื่นๆ ที่เกี่ยวข้องละเอียดเป็นกรณีๆ ไปของแต่ละประเทศด้วย ให้ปิดเทปหรือคลุมหน้าสัมผัสที่เปิดอยู่ และบรรจุแบตเตอรี่ในลักษณะที่แบตเตอรี่จะไม่สามารถเคลื่อนที่ได้ในบรรจุภัณฑ์
11. ปฏิบัติตามข้อกำหนดในท้องถิ่นเกี่ยวกับการทิ้งแบตเตอรี่ของท่าน
12. ใช้แบตเตอรี่ร่วมกับผลิตภัณฑ์ที่ Makita ระบุเท่านั้น การติดตั้งแบตเตอรี่เข้ากับผลิตภัณฑ์ที่ไม่สามารถใช้งานได้

จนกว่าจะล็อกเข้าที่สนิทโดยจะได้ยินเสียงดังคลิกเบาๆ หากคุณยังมองเห็นส่วนสีแดงที่อยู่ด้านบนของปุ่ม แสดงว่ายังไม่ล็อกเข้าที่

⚠️ ข้อควรระวัง:

- ใส่ดัลับแบตเตอรี่เข้าไปจนสุดจนกว่าจะมองไม่เห็นส่วนสีแดงเสมอ มิฉะนั้น แบตเตอรี่อาจร่วงหล่นออกจากเครื่องอย่างไม่ตั้งใจและทำให้คุณหรือบุคคลอื่นที่อยู่รอบๆ ได้รับบาดเจ็บได้
- อย่าฝืนใส่ดัลับแบตเตอรี่ หากดัลับแบตเตอรี่เลื่อนเข้าไปได้ลำบาก อาจเป็นเพราะใส่แบตเตอรี่ไม่ถูกต้อง

หมายเหตุ:

- หากมีดัลับแบตเตอรี่เพียงดัลับเดียว เครื่องมือจะไม่ทำงาน
- หากถอดดัลับแบตเตอรี่ออกได้ยาก ให้กดที่ด้านตรงข้ามของปุ่มแล้วเลื่อนออก

ระบบการป้องกันเครื่องมือ/แบตเตอรี่

เครื่องมือนี้มาพร้อมกับระบบป้องกันเครื่องมือ/แบตเตอรี่ ซึ่งจะตัดไฟเข้ามอเตอร์โดยอัตโนมัติเพื่อป้องกันการใช้งานเครื่องมือและแบตเตอรี่

เครื่องมืออาจหยุดลงระหว่างการทำงาน เมื่อเครื่องมือหรือแบตเตอรี่อยู่ภายใต้สถานการณ์ต่อไปนี้ โนมางสถานการณ์ไฟแสดงจะสว่างขึ้น (ภาพที่ 9)

อุปกรณ์ป้องกันการทำงานเกินปกติ

เมื่อเครื่องมือถูกใช้งานในลักษณะที่ทำให้กินกระแสไฟฟ้าสูงเกินไป เครื่องมือจะหยุดทำงานโดยอัตโนมัติโดยที่ไม่มีแรงเตือนใดๆ ในสถานการณ์นี้ ให้ปิดเครื่องมือแล้วหยุดการใช้งานที่ทำให้เครื่องมือต้องทำงานหนักเกินกำลัง จากนั้นจึงเปิดใช้งานเครื่องมืออีกครั้ง

การป้องกันไม่ให้เครื่องมือมีความร้อนสูงเกินไป

เมื่อเครื่องมือมีความร้อนสูงเกินไป เครื่องมือจะหยุดทำงานโดยอัตโนมัติ และไฟแสดงความร้อนสูงเกินไปจะสว่างขึ้นประมาณ 60 วินาที หากเกิดเหตุการณ์ดังกล่าว ควรปล่อยให้เครื่องมือเย็นลงก่อนเปิดใช้งานเครื่องมืออีกครั้ง

การป้องกันไม่ให้แบตเตอรี่มีความร้อนสูงเกินไป

เมื่อแบตเตอรี่มีความร้อนสูงเกินไป เครื่องมือจะหยุดทำงานโดยอัตโนมัติโดยที่ไม่มีแรงเตือนใดๆ เครื่องมือจะไม่สตาร์ท แม้ว่า จะดึงไกสวิตช์ก็ตาม หากเกิดเหตุการณ์ดังกล่าว ควรปล่อยให้แบตเตอรี่เย็นลงก่อนเปิดใช้งานเครื่องมืออีกครั้ง

หมายเหตุ:

การป้องกันไม่ให้แบตเตอรี่มีความร้อนสูงเกินไปจะทำงานเฉพาะกับดัลับแบตเตอรี่ที่มีเครื่องหมายรูปดาวเท่านั้น (ภาพที่ 10)

การป้องกันการคายประจุจากเกินไป










เมื่อความจุของแบตเตอรี่เหลือน้อย ไฟสัญญาณแสดงสถานะแบตเตอรี่จะกะพริบที่ด้านข้างของแบตเตอรี่ที่ความจุเหลือน้อย หากใช้งานต่อไป เครื่องมือจะหยุดทำงาน และไฟสัญญาณแสดง

สถานะแบตเตอรี่จะสว่างขึ้นประมาณ 10 วินาที ในกรณีนี้ ให้ชาร์จดัลับแบตเตอรี่

การแสดงความจุไฟฟ้าของแบตเตอรี่ที่ยังคงเหลืออยู่

เฉพาะสำหรับดัลับแบตเตอรี่ที่มีตัวระบุ (ภาพที่ 11)

กดปุ่มตรวจสอบที่ดัลับแบตเตอรี่เพื่อแสดงระดับพลังงานแบตเตอรี่ที่เหลืออยู่ ไฟแสดงสถานะจะสว่างขึ้นเป็นเวลาสองสามวินาที

ไฟแสดงสถานะ			ระดับพลังงานที่เหลือ
 สว่าง	 ดับ	 กะพริบ	
			75% ถึง 100%
			50% ถึง 75%
			25% ถึง 50%
			0% ถึง 25%
			ชาร์จแบตเตอรี่
			แบตเตอรี่อาจทำงานผิดปกติ

หมายเหตุ:

- ปริมาณแบตเตอรี่ที่แสดงอาจแตกต่างจากปริมาณแบตเตอรี่จริงเล็กน้อย ทั้งนี้ขึ้นอยู่กับสภาพการใช้งานและอุณหภูมิแวดล้อม

การปรับความลึกของการตัด (ภาพที่ 12)

⚠️ ข้อควรระวัง:

- หลังปรับความลึกในการตัด ชันสลักให้แน่นเสมอ คลายคันโยกบนแผ่นนำความลึก และเลื่อนฐานไปทางด้านบนหรือด้านล่าง เมื่อได้ความลึกที่ต้องการ ยึดฐานเครื่องมือโดยบิดคันโยกให้แน่น เพื่อการตัดที่สะอาดและปลอดภัยยิ่งขึ้น ให้ตั้งความลึกในการตัดไม่ให้ใบเลื่อยไหลไปทางด้านล่างมากเกินไป การปรับความลึกในการตัดอย่างเหมาะสม จะช่วยลดโอกาสในการเกิดการตีกลับที่เป็นอันตราย ซึ่งอาจทำให้เกิดการบาดเจ็บได้

การตัดมุมเอียง (ภาพที่ 13 & 14)

คลายเกลียวคันโยกด้านหน้าและนอตหางปลาด้านหลัง ปรับตั้งมุมที่ต้องการ (0° - 50°) โดยการเอียง จากนั้นขันแกนและนอตหางปลาให้แน่น (ภาพที่ 15)

ใช้ตัวหยุด 45° เมื่อคุณต้องการตัดมุมเอียงที่ 45° พอดี หมุนตัวหยุดตามเข็มนาฬิกาจนสุดสำหรับการตัดมุมเอียง (0° - 45°) และหมุนตัวหยุดทวนเข็มนาฬิกาสำหรับการตัดมุมเอียง 0° - 50°

การเล็งระยะ (ภาพที่ 16)

ในการตัดแนวตรง ให้จัดด้านหน้าของฐานและแนวการตัดอยู่ในตำแหน่ง 0° ในการตัดเฉียง 45° ให้จัดแนวการตัดในตำแหน่ง 45° สามารถปรับเปลี่ยนตำแหน่งของโกดัดด้านบนได้

การทำงานของสวิตช์ (ภาพที่ 17)

⚠️ ข้อควรระวัง:

- ก่อนใส่ด้ามแบตเตอรี่เข้าไปในเครื่อง ให้ตรวจสอบทุกครั้งว่า โกลสวิตช์ทำงานปกติและกลับมาสู่ตำแหน่ง "OFF" เมื่อปล่อยไป
- อย่าดึงโกลสวิตช์อย่างรุนแรงโดยไม่ได้กดคันลือคอป เพราะอาจทำให้สวิตช์แตกหักได้

เพื่อป้องกันไม่ให้โกลสวิตช์ถูกดึงอย่างไม่ตั้งใจ จึงมีการติดตั้งคันลือคอปเอาไว้ ในการเริ่มต้นใช้งานเครื่อง ให้กดคันลือคอปและดึงโกลสวิตช์ ปล่อยโกลสวิตช์เพื่อหยุดการทำงาน

⚠️ คำเตือน:

- เพื่อความปลอดภัยของคุณ เครื่องมือนี้จะมีคันลือคอปที่จะช่วยป้องกันเครื่องมือไม่ให้เปิดทำงานอย่างไม่ตั้งใจ อย่าใช้เครื่องมือหากมันเปิดทำงานเมื่อคุณแค่ดึงโกลสวิตช์โดยไม่ได้กดคันลือคอปพ นำเครื่องมือส่งศูนย์บริการของ MAKITA เพื่อทำการซ่อมแซมอย่างถูกต้องก่อนการใช้งานต่อไป
- อย่าติดเทป หรือทำให้วัตถุประสงคและการทำงานของคันลือคอปผิดเพี้ยนไป

การประกอบ

⚠️ ข้อควรระวัง:

- ตรวจสอบว่าปิดสวิตช์เครื่องและถอดด้ามแบตเตอรี่ออกเสมอ ก่อนที่จะใช้งานใดๆ กับเครื่อง

การถอดหรือการประกอบใบเลื่อย

⚠️ ข้อควรระวัง:

- ตรวจสอบให้แน่ใจว่าได้ติดตั้งใบเลื่อยโดยให้ซี่ใบเลื่อยชี้ไปทางด้านหน้าของเครื่องมือ
- ใช้ประแจของ Makita เพื่อถอดหรือติดตั้งใบเลื่อยเท่านั้น

(ภาพที่ 18)

ถอดใบเลื่อยโดยกดตัวลือคอปเพื่อไม่ให้ใบเลื่อยหมุน และใช้ประแจเพื่อคลายโบลต์หกเหลี่ยมโดยหมุนทวนเข็มนาฬิกา จากนั้นให้ถอดโบลต์หกเหลี่ยม หน้าแปลนด้านนอก และใบเลื่อยออก

สำหรับเครื่องมือที่มีหน้าแปลนด้านในสำหรับใบเลื่อยที่มีเส้นผ่าศูนย์กลางของรูขนาด 15.88 มม. (ภาพที่ 19)

ติดตั้งหน้าแปลนด้านในโดยให้ด้านที่เว้าหันหน้าออกไปทางเพลายึด แล้วจึงประกอบใบเลื่อย หน้าแปลนด้านนอก และโบลต์หกเหลี่ยมตามลำดับ

อย่าลืมนำโบลต์หกเหลี่ยมให้แน่นโดยหมุนตามเข็มนาฬิกา

สำหรับเครื่องมือที่มีหน้าแปลนด้านในสำหรับใบเลื่อยที่มีเส้นผ่าศูนย์กลางของรูขนาดอื่นที่ไม่ใช่ขนาด 15.88 มม.

(ภาพที่ 20)

หน้าแปลนด้านในมีเส้นผ่าศูนย์กลางของส่วนที่ยื่นออกมาด้านหนึ่งไม่เท่ากับส่วนที่ยื่นออกมาอีกด้านหนึ่ง โปรดเลือกด้านที่ต้องซึ่งเป็นส่วนที่ยื่นออกมาพอดีกับรูของใบเลื่อย จากนั้นให้สวมหน้าแปลนด้านในลงบนเพลายึดโดยให้ด้านที่ต้องของส่วนที่ยื่นออกมาบนหน้าแปลนด้านในหันออก จากนั้นใส่ใบเลื่อยและหน้าแปลนด้านนอก

อย่าลืมนำโบลต์หกเหลี่ยมให้แน่นโดยหมุนตามเข็มนาฬิกา

⚠️ ข้อควรระวัง:

- ตรวจสอบว่าส่วนที่ยื่นออกมา "a" ของหน้าแปลนด้านในซึ่งหันออกเข้ากันได้พอดีกับรูของใบเลื่อย "a" ถ้าประกอบใบเลื่อยผิดด้านจะทำให้เกิดการสั่นที่เป็นอันตรายได้ (ภาพที่ 21)

เมื่อทำการเปลี่ยนใบเลื่อย ให้ตรวจสอบว่าได้ทำความสะอาดโดยการนำซี่เลื่อยที่สะสมออกจากเครื่องป้องกันใบเลื่อยด้านบนและด้านล่าง อย่างไรก็ตาม การกระทำดังกล่าวไม่สามารถใช้แทนการตรวจสอบการทำงานของเครื่องป้องกันด้านล่างก่อนใช้งานทุกครั้ง

ที่จัดเก็บประแจหกเหลี่ยม (ภาพที่ 22)

เมื่อไม่ได้ใช้งาน ให้จัดเก็บประแจหกเหลี่ยมดังแสดงในภาพ เพื่อป้องกันการสูญหาย

การเชื่อมต่อเครื่องดูดฝุ่น

อุปกรณ์เสริม (ภาพที่ 23 และ 24)

เมื่อคุณต้องการทำความสะอาดการตัด ให้เชื่อมต่อเครื่องดูดฝุ่น Makita กับเครื่องมือของคุณ ติดตั้งหัวฉีดกำจัดฝุ่นเข้ากับเครื่องมือโดยใช้สกรูยึด จากนั้นให้เชื่อมต่อสายของเครื่องดูดฝุ่นเข้ากับหัวฉีดกำจัดฝุ่นตามที่แสดงในภาพ

การทำงาน

⚠️ ข้อควรระวัง:

- เลื่อนเครื่องมือไปข้างหน้าเบาๆ ในแนวเส้นตรง การออกแรงฝืนกดเครื่องมือจะทำให้มอเตอร์มีความร้อนสูงเกินไป และเกิดการตึงกับที่อันตราย ทำให้บาดเจ็บสาหัสได้
- ใช้ด้ามจับด้านหน้าและมือจับด้านหลังทุกครั้ง ถือเครื่องมือให้แน่นด้วยด้ามจับด้านหน้าและมือจับด้านหลังในระหว่างกาปฏิบัติงาน (ภาพที่ 25)

ถือเครื่องมืออย่างมั่นคง เครื่องมือนี้มีทั้งด้ามจับด้านหน้าและด้ามจับด้านหลัง ใช้ด้ามจับทั้งสองเพื่อให้สามารถจับเครื่องมือได้อย่างมั่นคงที่สุด การใช้มือสองข้างจับที่เครื่องมือจะทำให้ไม่ถูกใบเลื่อยบาด ตั้งแผนฐานบนชิ้นงานที่จะตัดโดยไม่ให้ใบเลื่อยสัมผัส

กับชิ้นงาน จากนั้น เปิดเครื่องและรอกจนกว่าใบเลื่อยทำงานที่ความเร็วสูงสุด จากนั้นเพียงเลื่อนเครื่องมือไปยังหน้าบานผิวชิ้นงานให้ฐานเครื่องมือแนบสนิท และเลื่อนเครื่องมืออย่างช้าๆ จนกว่าการตัดจะเสร็จสิ้น

เพื่อให้รอยตัดเรียบสม่ำเสมอ ให้รักษาแนวการตัดให้ตรงและใช้ความเร็วสม่ำเสมอ หากการตัดไม่เป็นไปตามแนวการตัดที่คุณตั้งใจไว้ อย่าพยายามหมุนหรือฝืนใช้เครื่องมือให้กลับไปยังแนวการตัดดังกล่าว การกระทำดังกล่าวอาจทำให้ใบเลื่อยติดขัดซึ่งนำไปสู่การตีกลับที่เป็นอันตราย และอาจทำให้ผู้ใช้ได้รับบาดเจ็บรุนแรง ปลดสวิตช์ รอกจนกว่าใบเลื่อยจะหยุดหมุน และถอนเครื่องมือออก จัดตำแหน่งเครื่องมือตามแนวการตัดใหม่ และเริ่มต้นอีกครั้งหนึ่ง พยายามหลีกเลี่ยงการอยู่ในตำแหน่งที่ผู้ปฏิบัติงานจะสัมผัสถูกเศษวัสดุและขี้เลื่อยที่ออกมาจากเครื่องเลื่อย ใช้เครื่องป้องกันดวงตาเพื่อหลีกเลี่ยงการได้รับบาดเจ็บ

แผ่นนำตัด (ไม้บรรทัด) (ภาพที่ 26)

แผ่นนำตัดที่ใช้งานสะดวกนี้ ช่วยให้ท่านทำการตัดแนวตรงได้อย่างแม่นยำเป็นพิเศษ เพียงเลื่อนแผ่นนำตัดให้ชิดกับด้านข้างของชิ้นงานและยึดให้เข้าที่ด้วยแถบยึดบนด้านหน้าของฐาน นอกจากนี้ ยังสามารถตัดซ้ำโดยมีความกว้างสม่ำเสมอกันได้อีกด้วย

การดูแลรักษา

⚠️ ข้อควรระวัง:

- ก่อนตรวจสอบหรือดูแลรักษาเครื่อง ต้องตรวจสอบให้แน่ใจว่าได้ปิดสวิตช์และถอดปลั๊กเครื่องออกแล้วทุกครั้ง
- อย่าใช้น้ำมันเชื้อเพลิง เบนซิน ทินเนอร์ แอลกอฮอล์ หรือวัสดุประเภทเดียวกัน เพราะอาจทำให้เครื่องมือลื่นหรือเกิดคราบสกปรกหรือแตกหักได้

การปรับความแม่นยำของการตัดในมุม 0° และ 45° (การตัดในแนวตั้งและการตัดมุมเอียง 45°)

(ภาพที่ 27 และ 28)

ได้มีการปรับการตั้งค่านี้จากโรงงานแล้ว หากไม่มีการตั้งค่าให้ทำการปรับสกรูปรับแต่งโดยใช้ประแจหกเหลี่ยม ในขณะที่ทำการตรวจสอบใบเลื่อยที่ท่ามุม 0° หรือ 45° กับฐานโดยใช้ไม้ฉากรูปสามเหลี่ยม หรือไม้ฉากรูปสี่เหลี่ยม เป็นต้น

การปรับในแนวขนาน (ภาพที่ 29)

แนวขนานระหว่างใบเลื่อยและฐานมีการปรับแต่งมาจากโรงงานแล้ว แต่หากไม่มีการตั้งค่า คุณสามารถปรับแต่งได้ตามวิธีการดังต่อไปนี้

ตรวจสอบว่าได้ขันคันโยกและสกรูทั้งหมดอย่างแน่นหนา คลายเกลียวสกรูออกเล็กน้อยตามภาพประกอบ ในขณะที่เปิดที่ป้องกันด้านล่าง ให้เลื่อนด้านหลังของฐานจนระยะห่างระหว่างตำแหน่ง A

และ B เท่ากัน หลังจากปรับแต่งแล้ว ขันสกรูให้แน่น ลองทดสอบการตัดเพื่อให้ได้แนวขนานที่ถูกต้อง

การเปลี่ยนแปลงถ่าน (ภาพที่ 30)

ถอดและตรวจสอบแปลงถ่านเป็นประจำ หากแปลงสึกก็ลองไปถึงเครื่องมือจำกัด ให้เปลี่ยนแปลงใหม่ รักษาความสะอาดของแปลงถ่าน และตรวจสอบดูว่าสามารถใส่ลงในช่องใส่แปลงได้ ควรเปลี่ยนแปลงถ่านใหม่พร้อมกันเป็นคู่ ใช้แปลงถ่านลักษณะเหมือนกันเท่านั้น

ใช้ไขควงถอดฝาปิดช่องใส่แปลงออก นำแปลงถ่านที่สึกหรอแล้วออกมา ใส่แปลงถ่านใหม่เข้าไป และปิดฝาปิดช่องใส่แปลงให้เข้าที่ (ภาพที่ 31)

หลังเปลี่ยนแปลงใหม่ ให้ใส่ด้ามเบดเตอร์เข้าในเครื่องมือและใส่เบรคในแปลงโดยเดินเครื่องเปล่าเป็นเวลาประมาณ 1 นาที ตรวจสอบเครื่องมือขณะทำงานและระบบเบรคไฟฟ้าเมื่อปล่อยไกสวิตช์ หากเบรคไฟฟ้าทำงานผิดปกติ ติดต่อศูนย์บริการของ Makita ในท้องถิ่นของคุณเพื่อทำการซ่อมแซม เพื่อดูแลให้ผลิตภัณฑ์มีความปลอดภัยและไว้วางใจได้ ควรนำส่งผลิตภัณฑ์ให้แก่ศูนย์บริการที่ได้รับอนุญาตของ Makita ค่าเงินการซ่อมแซม ดูแลรักษา หรือเปลี่ยนอะไหล่ และใช้อะไหล่แท้ของ Makita เท่านั้น

อุปกรณ์เสริม

⚠️ ข้อควรระวัง:

- ขอแนะนำให้อุปกรณ์เสริมหรือส่วนประกอบเหล่านี้กับเครื่องมือ Makita ของคุณตามที่ระบุในคู่มือนี้ การใช้อุปกรณ์เสริมหรือส่วนประกอบอื่นอาจทำให้ผู้ใช้ได้รับบาดเจ็บ ใช้อุปกรณ์เสริมหรือส่วนประกอบตามที่ระบุไว้เท่านั้น

หากคุณต้องการทราบรายละเอียดเพิ่มเกี่ยวกับอุปกรณ์เสริมดังกล่าว โปรดสอบถามศูนย์บริการของ Makita ในพื้นที่ของคุณ

- ใบเลื่อย
- แผ่นนำตัด (ไม้บรรทัด)
- รางนำ
- ตัวปรับรางนำ
- หัวฉีดกำจัดฝุ่น
- ประแจหกเหลี่ยม
- เบดเตอร์และแท่นชาร์จ์ของแท้ของ Makita

หมายเหตุ:

- อุปกรณ์เสริมบางรายการอาจเป็นอุปกรณ์เสริมมาตรฐานที่รวมอยู่ในชุดเครื่องมือแล้ว ทั้งนี้ อาจมีความแตกต่างกันในแต่ละประเทศ

Makita Corporation
3-11-8, Sumiyoshi-cho,
Anjo, Aichi 446-8502 Japan

885247C372

www.makita.com

ALA